

TECHNICAL BULLETIN INSTALLATION INSTRUCTIONS

FOR SYSTEMS

SINGLE CHANNEL GROUND AND AIRBORNE RADIO SYSTEM (SINGARS)

AN/VRC-88F, AN/VRC-89F, AN/VRC-90F, AN/VRC-91F, AN/VRC-92F

FORCE XXI BATTLE COMMAND, BRIGADE-AND-BELOW (FBCB2)

AN/UYK-128 (V)4

PRECISION LIGHTWEIGHT GPS RECEIVER (PLGR)

AN/PSN-11

ENHANCED POSITION LOCATION REPORTING SYSTEM (EPLRS)

AN/VSQ-2 (V)

HF 150 WATT RADIO

FOR VEHICLES

**TRUCK, UTILITY, 2-DOOR: CARGO/TROOP CARRIER, 1-1/4 TON, 4X4,
M998 (2320-01-107-7155) (EIC: BBD); M998A1 (2320-01-371-9577) (EIC: BBN);**

**TRUCK, UTILITY, 2-DOOR: CARGO/TROOP CARRIER, 1-1/4 TON, 4X4,
M1038 (2320-01-107-7156) (EIC: BBE);**

**TRUCK, UTILITY, 2-DOOR: HEAVY VARIANT, 1-1/4 TON, 4X4,
M1097 (2320-01-346-9317) (EIC: BBM); M1097A1 (2320-01-371-9583) (EIC: BBU);
M1097A2 (2320-01-380-8604) (EIC: BB6).**

Approved for public release; distribution is unlimited.

HEADQUARTERS, DEPARTMENT OF THE ARMY

SEPTEMBER 2006

LIST OF EFFECTIVE PAGES

NOTE

A vertical line in the outer margins of the page indicates the portion of text affected by the change.

Dates of issue for original and change pages are:

Original 0 29 September 2006

TOTAL NUMBER OF PAGES IN THIS PUBLICATION IS 138 PAGES.

Page No.	*Change No.
i-iii/iv (blank)0
1-1-5-111/(5-112 blank)0

*Zero in this column indicates original page.

**TECHNICAL BULLETIN
NO. 9-2320-280-35-14**

**HEADQUARTERS,
DEPARTMENT OF THE ARMY
WASHINGTON, D.C., 29 SEPTEMBER 2006**

**TECHNICAL BULLETIN
INSTALLATION INSTRUCTIONS**

FOR SYSTEMS

**SINGLE CHANNEL GROUND AND AIRBORNE
RADIO SYSTEM (SINGARS)
AN/VRC-88F, AN/VRC-89F, AN/VRC-90F, AN/VRC-91F, AN/VRC-92F**

**FORCE XXI BATTLE COMMAND, BRIGADE-AND-BELOW (FBCB2)
AN/UYK-128 (V)4**

**PRECISION LIGHTWEIGHT GPS RECEIVER (PLGR)
AN/PSN-11**

**ENHANCED POSITION LOCATION REPORTING SYSTEM (EPLRS)
AN/VSQ-2 (V)**

HF 150 WATT RADIO

FOR VEHICLES

**TRUCK, UTILITY, 2-DOOR: CARGO/TROOP CARRIER, 1-1/4 TON, 4X4,
M998 (2320-01-107-7155) (EIC: BBD); M998A1 (2320-01-371-9577) (EIC: BBN);**

**TRUCK, UTILITY, 2-DOOR: CARGO/TROOP CARRIER, 1-1/4 TON, 4X4,
M1038 (2320-01-107-7156) (EIC: BBE);**

**TRUCK, UTILITY, 2-DOOR: HEAVY VARIANT, 1-1/4 TON, 4X4,
M1097 (2320-01-346-9317) (EIC: BBM); M1097A1 (2320-01-371-9583) (EIC: BBU);
M1097A2 (2320-01-380-8604) (EIC: BB6).**

REPORTING ERRORS AND RECOMMENDING IMPROVEMENTS

You can help improve this publication. If you find any mistakes or if you know of a way to improve the procedures, please let us know. Submit your DA Form 2028 (Recommended Changes to Publications and Blank Forms), through the Internet, on the Army Electronic Product Support (AEPS) website. The Internet address is <https://aeprs.ria.army.mil>. The DA Form 2028 is located under the Public Applications section in the AEPS Public Home Page. Fill out the form and click on SUBMIT. Using this form on the AEPS will enable us to respond quicker to your comments and better manage the DA Form 2028 program. You may also mail, fax or E-mail your letter or DA Form 2028 direct to: AMSTA-LC-LPIT/TECH PUBS, TACOM-RI, 1 Rock Island Arsenal, Rock Island, IL 61299-7630. The E-mail address is tacom-tech-pubs@ria.army.mil. The fax number is DSN 793-0726 or Commercial (309) 782-0726.

Approved for public release; distribution is unlimited.

TABLE OF CONTENTS

	Page
LIST OF TABLES	iii
CHAPTER 1. INTRODUCTION	1-1
Section I. Scope	1-1
Section II. Notes	1-1
Section III. General Information	1-1
Section IV. Maintenance Forms, Records, and Reports	1-1
Section V. Consolidated Index of Army Publications	1-1
CHAPTER 2. PURPOSE OF INSTALLATION	2-1
CHAPTER 3. COMPLETION TIME FOR INSTALLATION	3-1
CHAPTER 4. PREPARATION FOR INSTALLATION	4-1
Section I. Preparation of Vehicle	4-1
Section II. Items to be Removed	4-1
Section III. List of Items to be Retained	4-1
Section IV. Preparation of C4ISR Equipment	4-1
Section V. Precautions During Handling	4-1
Section VI. Unpack and Inspect Equipment	4-1
Section VII. Inventory C4ISR Equipment	4-1
Section VIII. Examine Each Item for Damage	4-2
Section IX. C4ISR Equipment, Distribution, and Consumables	4-2
Section X. Distribution and Issue Instructions	4-2
Section XI. Parts List	4-2
CHAPTER 5. INSTALLATION PROCEDURES	5-1
Section I. Scope	5-1
Section II. Installation of Terminal Boards	5-1
Section III. Cab Enclosure Panel, Terminal Board, and Cover Modification	5-1
Section IV. B-Beam Preparation	5-5
Section V. Assembly of Cab Enclosure Panel	5-6
Section VI. Final Assembly, Terminal Board Wiring, and Terminal Link	5-7
Section VII. Integrated Rack Installation	5-12
Section VIII. Installation of SINCGARS Mounting Tray and Amp Guard	5-14
Section IX. Power Amplifier Installation	5-15
Section X. FBCB2 Components Installation	5-17
Section XI. Serial Interface Adapter Device (SIAD) Cables Installation	5-19
Section XII. Serial Interface Adapter Device (SIAD) Installation	5-20
Section XIII. FBCB2 Cables Installation	5-21
Section XIV. Loudspeaker Installation	5-23

TABLE OF CONTENTS (Contd)

		Page
Section XV.	Coupler Installation	5-26
Section XVI.	Antenna Bracket and Antenna Installation	5-30
Section XVII.	Rear SINCGARS Antenna Installation	5-34
Section XVIII.	Cables Installation	5-38
Section XIX.	PLGR Bracket Installation	5-44
Section XX.	PLGR Antenna and Cable Installation (Without Bolt-On Armor)	5-45
Section XXI.	EPLRS Mounting Installation (Two-Man Vehicles)	5-51
Section XXII.	EPLRS URO (User Readout) Installation	5-53
Section XXIII.	EPLRS Antenna Installation (Two-Man Vehicles)	5-54
Section XXIV.	EPLRS Cables Installation (Two-Man Vehicles)	5-62
Section XXV.	Front SINCGARS Cables Installation (Two-Man Vehicles)	5-68
Section XXVI.	EPLRS Cables Installation (Four-Man Vehicles)	5-70
Section XXVII.	Right-Side SINCGARS Pedestal Antenna Installation (Four-Man Vehicles)	5-74
Section XXVIII.	Left-Side EPLRS Pedestal Antenna Installation (Four-Man Vehicles) . .	5-80
Section XXIX.	SINCGARS Antenna Cables Installation (Four-Man Vehicles)	5-84
Section XXX.	HF 150 Watt Radio Mount Installation (Two-Man Vehicles)	5-86
Section XXXI.	HF 150 Watt Radio Mount Installation (Four-Man Vehicles)	5-90
Section XXXII.	Loudspeaker Mount Installation	5-92
Section XXXIII.	Key Display Unit (KDU) Mount Installation (Two-Man Vehicles Only)	5-93
Section XXXIV.	HF 150 Watt Radio Cables Installation (Two-Man Vehicles)	5-95
Section XXXV.	HF 150 Watt Radio Cables Installation (Four-Man Vehicles)	5-100
Section XXXVI.	Windshield Armor Modification	5-102
Section XXXVII.	Armor and Antenna Installation (With Bolt-On Armor)	5-105
Section XXXVIII.	Antenna Cable Installation	5-109

LIST OF TABLES

Table	Title	Page
4-1.	Kit Parts List for Installation of C4ISR Equipment	4-3
4-2.	Non-Kit Parts List for Installation of C4ISR Equipment	4-5

CHAPTER 1

INTRODUCTION

Section I. SCOPE

- 1-1.** This technical bulletin provides installation instructions for Command, Control, Communications, Computers, Intelligence, Surveillance, and Reconnaissance (C4ISR) equipment. The C4ISR equipment shall be installed in the following vehicles:
- a. Truck, Utility, 2-Door: Cargo/Troop Carrier, 1-1/4 Ton, 4x4, M998, M998A1
 - b. Truck, Utility, 2-Door: Cargo/Troop Carrier, 1-1/4 Ton, 4x4, M1038
 - c. Truck, Utility, 2-Door: Heavy Variant, 1-1/4 Ton, 4x4, M1097, M1097A1, M1097A2
- 1-2.** The information contained in this technical bulletin is the official authorization to perform the installation of the C4ISR equipment at the direct support maintenance level through contract maintenance teams.

Section II. NOTES

- 2-1.** This technical bulletin is not an authorization for requisition or turn-in of vehicles.
- 2-2.** This technical bulletin does not establish quantity or types of vehicles assigned to using units.

Section III. GENERAL INFORMATION

- 3-1.** Included in the C4ISR equipment are:
- a. Single Channel Ground and Airborne Radio System (SINCGARS), Radio Set AN/VRC-88F/89F/90F/91F/92F Series
 - b. Force XXI Battle Command, Brigade-and-Below (FBCB2), AN/UYK-128 (V)4
 - c. Precision Lightweight Global Positioning System Receiver (PLGR), AN/PSN-11
 - d. Enhanced Position Location Reporting System (EPLRS), AN/VSQ-2 (V).
 - e. HF 150 Watt Radio
 - f. Additional terminal boards
- 3-2.** The C4ISR equipment becomes operable when all the components are installed in the vehicle and correct power is supplied.

Section IV. MAINTENANCE FORMS, RECORDS, AND REPORTS

Use the following to report any discrepancies:

- a. Reports of Maintenance and Unsatisfactory Equipment. See chapter 4, sections VI through VIII for information.
- b. Reports of Packaging and Handling Deficiencies. See chapter 4, sections VI through VIII for information.

Section V. CONSOLIDATED INDEX OF ARMY PUBLICATIONS

Refer to the latest issue of DA PAM 25-30 to determine whether there are new changes or additional publications pertaining to the C4ISR equipment.

CHAPTER 2

PURPOSE OF INSTALLATION

The purpose of installing the C4ISR equipment is to provide the primary means of integrating command and control capability.

CHAPTER 3

COMPLETION TIME FOR INSTALLATION

A total of 20 man-hours are required for two personnel to install the C4ISR equipment. Typical vehicle downtime is 12 hours.

CHAPTER 4 PREPARATION FOR INSTALLATION

Section I. PREPARATION OF VEHICLE

Ensure that the site includes adequate lighting and a power source when drilling is required. Inspect the vehicle for damage that could affect installation. Have any such damage repaired before installing the C4ISR equipment.

Section II. ITEMS TO BE REMOVED

- 2-1. Remove batteries. (Refer to TM 9-2320-280-20.)
- 2-2. Remove left- and right-hand rear door, as applicable. (Refer to TM 9-2320-280-20.)
- 2-3. Remove left- and right-hand rear cab enclosure panel, as applicable. (Refer to TM 9-2320-280-20.)
- 2-4. Remove center tunnel insulation, as applicable. (Refer to TM 9-2320-280-20.)
- 2-5. Remove standard radio rack. (Refer to TM 9-2320-280-20.)
- 2-6. Remove cargo bulkhead. (Refer to TM 9-2320-280-20.)

Section III. LIST OF ITEMS TO BE RETAINED

- 3-1. Batteries.
- 3-2. Left- and right-hand rear cab enclosure panel (if applicable).
- 3-3. Left- and right-hand rear fixed door (if applicable).

Section IV. PREPARATION OF C4ISR EQUIPMENT

Unpack, inspect, and check inventory.

Section V. PRECAUTIONS DURING HANDLING

Observe the following precautions to prevent equipment damage.

- a. Keep dust covers in place on connectors.
- b. Do not disassemble or modify parts in the C4ISR equipment unless authorized to do so.
- c. Keep mounting hardware covered and protected until needed.

Section VI. UNPACK AND INSPECT EQUIPMENT

- 6-1. Unpack and inspect packaging for evidence of damage.
- 6-2. Report any shipping damage on SF 364 Report of Discrepancy (ROD) as prescribed in AR 735-11-2/DLAR 4140.55/NAVMATINST 4355.73A/AFR 400-64/MCO 4430.F.

Section VII. INVENTORY C4ISR EQUIPMENT

If any item is missing, fill out and forward Transportation Discrepancy Report (TDR) (SF 361) as described in AR 55-38/NAVSUPINST 4610.33C/AFR 75-18/MCO P4610.19D/DLAR 450015.

Section VIII. EXAMINE EACH ITEM FOR DAMAGE

If any item is damaged, fill out and forward SF 364 Report of Discrepancy (ROD) as prescribed in AR 735-11-2/DLAR 4140.55/NAVMATINST 4355.73A/AFR 400-64/MCO 4430.F. All damages should be reported as prescribed by DA PAM 738-750, as contained in the Maintenance Management Update.

Section IX. C4ISR EQUIPMENT, DISTRIBUTION, AND CONSUMABLES

- 9-1. Use table 4-1 to identify and inventory C4ISR equipment installation parts supplied in kits.
- 9-2. Use table 4-2 to identify and inventory C4ISR equipment installation parts not supplied in kits.

Section X. DISTRIBUTION AND ISSUE INSTRUCTIONS

- 10-1. U.S. Forces: Do not requisition C4ISR equipment. It will be shipped automatically.
- 10-2. U.S. Army Depots: Requisition C4ISR equipment through supply channels.
- 10-3. Multiservice: Instructions shall be included for multiservice modifications.
- 10-4. MAP/MAS countries: Instructions shall be provided for MAP/MAS countries.

Section XI. PARTS LIST

KITS REQUIRED FOR THIS INSTALLATION:

NOTE

- Not all material in kits is required for this installation. Material not used during installation will be returned to stock for disposition in accordance with AR 725-50.
- If maintenance is to be performed on a vehicle with an existing kit, do not order entire kit for necessary reinstallation.

SINGARS:

- (A): MK-2325
- (B): MK-2326
- (C): MK-2327 (dual)
- (D): MK-2328 (double kit)

PLGR:

- (E): 57K4400

EPLRS:

- (F): MK-2467A/VSQ-1
- (G): MK-2753/VSQ

HF 150 WATT RADIO

- (H): No kits available

FBCB2:

- (I): No kits available

MATERIAL REQUIRED FROM KITS:

Table 4-1. Kit Parts List for Installation of C4ISR Equipment.

ITEM NO.	NOMENCLATURE	PART NUMBER	NSN	KIT	QTY.
1.	Bracket, Antenna	A3014546-1	5340-01-391-2742	(A),(B),(C),(D)	1
2.	Bracket, Multiple Angle-Left	A3018371-1	5340-01-392-2217	(C),(D)	1
3.	Bracket, Multiple Angle-Left	A3018372-1	5340-01-392-2216	(C),(D)	1
4.	Bracket, Multiple Angle-Right	A3018371-2	5340-01-425-8010	(C)	1
5.	Bracket, Multiple Angle-Right	A3018372-2	5340-01-425-5600	(C)	1
6.	Bracket, PLGR Mount	12480578	N/A	(E)	1
7.	Cable, Antenna	A32551281W23	5995-01-468-9827	(E)	1
8.	Cable Assembly, Antenna	A3014031-17	5995-01-225-1660	(B),(C),(D)	2
9.	Cable Assembly, Antenna, EPLRS	SM-C-911480	5995-01-167-1269	(F),(G)	1
10.	Cable Assembly, Power, Electrical	A3014040-9	5995-01-300-9324	(B),(C),(D)	1
11.	Cable Assembly, Power, EPLRS	A3004939	5995-01-198-0538	(F),(G)	1
12.	Cable Assembly, Radio Frequency	A3014031-8	5995-01-219-7035	(A),(B),(C),(D)	2
13.	Cable Assembly, Radio Frequency	A3014032-3	5995-01-219-7025	(B),(C),(D)	1
14.	Clamp, Loop	MS21333-67	5340-00-079-7837	(E)	1
15.	Clamp, Loop	MS21333-71	5340-00-057-2904	(B),(C),(D)	3
16.	Clamp, Loop	MS21333-75	5340-00-050-2740	(A),(B),(C),(D)	6
17.	Clamp, Loop	MS21333-77	5340-00-922-6300	(A),(B),(C),(D)	15
18.	Clamp, Loop	MS21333-96	5340-00-088-1255	(E)	3
19.	Clamp, Loop	MS21333-98	5340-00-809-1490	(A),(B),(C),(D)	7
20.	Clamp, Loop	MS21333-102	5340-00-984-8540	(B)	4
21.	Clamp, Loop	MS21333-112	5340-00-057-3043	(B),(C),(D)	6
22.	Fiber Rope Assembly, Single Leg	A3167672-1	4020-01-341-8795	(A),(B),(C),(D),(G)	2
23.	Gasket	A3013655-1	5330-01-205-2864	(A),(B),(C),(D)	3
24.	Grommet	MS21266-4N	5325-00-923-9512	(C),(D)	2
25.	Grommet	MS35489-31	5325-00-174-9336	(E)	1
26.	Grommet	MS35489-143	5325-00-292-7558	(E)	2
27.	Insert	12446871-2	5310-01-411-3422	(E)	3
28.	Loudspeaker	A3014065-1	5965-01-222-1420	(A),(B),(C),(D)	2
29.	Mounting Base, Electrical Equipment	A3013367-1	5975-01-188-8873	(A),(B),(C),(D),(G)	1
30.	Mounting Base, Electrical Equipment	A3014053-1	5975-01-235-1962	(B),(C)	1
31.	Nut	MS35650-302	5310-00-934-9751	(A),(B),(C),(D),(F),(G)	1
32.	Nut	MS51967-2	5310-00-761-6882	(A),(B),(C),(D),(F),(G)	16

MATERIAL REQUIRED FROM KITS (Contd):*Table 4-1. Kit Parts List for Installation of C4ISR Equipment (Contd).*

ITEM NO.	NOMENCLATURE	PART NUMBER	NSN	KIT	QTY.
33.	Nut	MS51968-5	5310-00-880-7746	(A),(B),(C),(D),(G)	2
34.	Nut	MS51971-3	5310-00-913-8881	(A),(B),(C),(D),(G)	6
35.	Nut	271169	5310-00-124-9265	(E)	5
36.	Nut	9419143	5310-01-148-0240	(E)	2
37.	Nut, Lock	271175	5310-01-333-5245	(E)	6
38.	Nut, Plain-Assembled	9422771	5310-01-211-0691	(E)	4
39.	Nut, Strip	A3014064-1	N/A	(B),(C),(D)	1
40.	Plate, Mounting	A3014550-1	N/A	(A),(B),(C),(D)	2
41.	Plate, Mounting Assembly, Sponson	A3046204	5340-01-237-8094	(F)	1
42.	Screw, Cap	B1821BH025C100N	5305-00-225-3843	(E)	3
43.	Screw, Cap	B1821BH025C125N	5305-00-068-0509	(E)	2
44.	Screw, Cap	B1821BH025C175N	5305-00-071-2510	(E)	1
45.	Screw, Cap	MS35207-261	5305-00-990-6444	(E)	1
46.	Screw, Cap	MS35307-365	5305-00-847-1159	(A),(B),(C),(D),(G)	8
47.	Screw	MS35224-65	5310-00-543-5743	(F)	1
48.	Screw	MS35190-291	5305-00-958-5247	(B)	2
49.	Screw	MS35206-263	5305-00-984-6210	(E)	4
50.	Screw	MS35206-265	5305-00-984-6212	(E)	1
51.	Screw, Self-Tapping	12342499-1	5305-01-259-6322	(A),(B),(C),(D)	4
52.	Screw, Self-Tapping	9416639	5305-01-197-2320	(E)	1
53.	Screw, Self-Tapping	9421073	5305-01-162-8512	(E)	6
54.	Strap, Tiedown	MS3367-1-0	5975-00-984-6582	(E)	3
55.	Terminal, Lug	7728777	5940-00-983-4067	(E)	1
56.	Terminal, Lug	7728780	5940-01-035-4212	(E)	2
57.	Washer	MS27183-10	5310-00-809-4058	(C),(D),(G)	11
58.	Washer	2436161	5310-01-102-3270	(E)	8
59.	Washer, Lock	MS35338-43	5310-00-045-3296	(A),(B),(C),(D), (E),(F),(G)	5
60.	Washer, Lock	MS35338-44	5310-00-582-5965	(A),(B),(C), (D),(E),(G)	34
61.	Washer, Lock	MS35338-46	5310-00-637-9541	(C),(D),(F),(G)	2
62.	Washer, Lock	MS35338-48	5310-00-584-5272	(C),(D)	3
63.	Washer, Lock	MS45904-68	5310-00-889-2528	(A),(B),(C),(D)	13
64.	Washer, Lock	MS45904-71	5310-00-947-6980	(E),(G)	5
65.	Washer, Lock	MS45904-72	5310-00-889-2527	(A),(B),(C), (D),(F),(G)	50
66.	Washer, Lock	MS45904-76	5310-00-061-1258	(A),(B),(C),(D),(G)	12
67.	Wellnut	12339397-3	5310-01-231-7455	(E)	1
68.	Wellnut	12339397-6	5310-01-388-6205	(E)	1

MATERIAL REQUIRED BUT NOT INCLUDED IN KITS:*Table 4-2. Non-Kit Parts List for Installation of C4ISR Equipment.*

ITEM NO.	NOMENCLATURE	PART NUMBER	NSN	QTY.
1.	Adapter, Antenna (tilt)	RF-1980-AT001	5985-01-519-6245	1
2.	Antenna	4245	5985-01-499-4898	1
3.	Antenna	A3005031	5820-01-183-9462	1
4.	Antenna AS-3900/VRC	A3017889-2	5985-01-308-8988	2
5.	Antenna Element (lower)	A3018230-1	5985-01-201-1498	2
6.	Antenna Element (upper)	A3017901-2	5985-01-306-4622	2
7.	Antenna, PLGR	AT575-030	5985-01-375-4660	1
8.	Assembly, Display Lock	872843-01	N/A	1
9.	Bar, Support	10181-5213-002	N/A	1
10.	Bolt	MS35751-18	5306-00-108-9988	4
11.	Bracket, Antenna Base	RF292	5985-01-418-5247	1
12.	Bracket, Antenna Base	A3050655-1	5340-01-412-4379	2
13.	Bracket, PLGR	986-0645-001	5975-01-375-1302	1
14.	Bracket, User Readout (URO)	A3006206	5340-01-386-7841	1
15.	Cable Assembly, Antenna, HF	10564-3355-A004	N/A	1
16.	Cable Assembly, Antenna, PLGR	426-0141-050	6150-01-375-8662	1
17.	Cable Assembly, Coupler Control	10181-9823-020	N/A	1
18.	Cable Assembly, Coupler PA	10181-9824-020	N/A	1
19.	Cable Assembly, Ground	12480567-1	N/A	1
20.	Cable Assembly, INC-EPUU	A3279383-3	5995-01-453-9171	1
21.	Cable Assembly, Power	12480567-2	N/A	1
22.	Cable Assembly, Power	10181-9826-020	5995-01-370-5985	1
23.	Cable Assembly, Power, PLGR	9728558-10	6150-01-375-8661	1
24.	Cable Assembly, RT Speaker	10535-0707-A020	N/A	1
25.	Cable Assembly, Speaker Power	10535-0708-A020	N/A	1
26.	Cable Assembly, User Readout (URO)	A3005328	5995-01-375-2439	1
27.	Cable, Control	A3014037-4	5995-01-335-7863	1
28.	Cable, KDU	10511-0704-040	N/A	1
29.	Cable, Speaker	A3014038-3	5995-01-219-4704	2
30.	Cable, W1	866003-3	5995-01-478-4908	1
31.	Cable, W2	881327-1	5995-01-478-4876	1
32.	Cable, W3N	881336-1	5995-01-478-4913	1
33.	Cable, W3P	881335-1	5995-01-478-4891	1
34.	Clamp, Loop	MS21333-121	5340-00-954-6014	1
35.	Clamp, Loop	MS21333-72	5340-00-091-3790	2
36.	Clamp, Loop	MS21333-74	5340-00-989-9222	3
37.	Clamp, Loop	MS21333-79	5340-00-922-6301	2
38.	Clamp, Loop	MS21333-104	5340-00-088-1254	2
39.	Clamp, Loop	MS21333-65	5340-00-905-0790	3
40.	Clamp, Loop	MS21333-66	5340-00-990-7610	3

MATERIAL REQUIRED BUT NOT INCLUDED IN KITS (Contd):*Table 4-2. Non-Kit Parts List for Installation of C4ISR Equipment (Contd).*

ITEM NO.	NOMENCLATURE	PART NUMBER	NSN	QTY.
41.	Clamp, Loop	MS21333-69	5340-00-764-7051	4
42.	Cover, Antenna Bracket	1018-5212-02	N/A	1
43.	CPU (Central Processing Unit)	881292-1	7021-01-474-3793	1
44.	Decal	12339060	7690-01-265-1135	1
45.	Decal	861868-2	N/A	1
46.	Device, Serial Interface Adapter	881331-1	4920-01-478-3722	1
47.	Display	881293-1	7025-01-475-0229	1
48.	Grommet	12338098	5325-01-308-5424	1
49.	Grommet	2400	5325-01-289-7859	1
50.	Grommet	MS35489-24	5325-01-452-0384	1
51.	Grommet	MS35489-27	5325-00-290-1960	1
52.	Grommet	MS21266-1N	5325-00-960-2410	A/R
53.	Grommet	MS21266-4N	5325-00-923-9512	A/R
54.	Guard, Amp	872842-1	5935-01-487-2172	1
55.	Insert	12446871-2	5310-01-411-3422	7
56.	Isolation Kit, CPU	872826-2	5340-01-481-5741	1
57.	Isolation Kit, Display	872870-1	5340-01-481-5757	1
58.	Lanyard	8925T5-7X19	4010-01-497-2675	1
59.	Lanyard	Z33-0002-306	N/A	1
60.	Locking Bar	10497-0872-01	N/A	1
61.	Locking Collar	Z52-0013-002	N/A	2
62.	Mount, Antenna Overcab	A3265061	N/A	1
63.	Mount, KDU	11071-0900-04	N/A	1
64.	Mount, Ramball	RAM-D-111U	5975-01-485-3615	1
65.	Mount, Resilient	MT-6146/VSQ-1	5340-01-167-8297	1
66.	Nut	MS35649-2382	5310-00-056-3395	2
67.	Nut	MS35649-2252	5310-00-997-1888	3
68.	Nut	116002	5310-01-125-1216	4
69.	Nut	MS35649-63	5310-00-804-3859	5
70.	Nut	9417954	5310-00-931-8167	8
71.	Nut	13218E0320-293	5310-00-913-8881	14
72.	Nut	9418892	5310-01-157-9819	14
73.	Nut	9419143	5310-01-148-0240	51
74.	Nut	9422771	5310-01-211-0691	3
75.	Nut, Nylon	10075-1397	N/A	2
76.	Panel, Enclosure	12447141	2510-01-413-5993	1
77.	Plate, Antenna	A3104004-1	N/A	2
78.	Plate, Antenna	A3157619	9515-01-374-7165	2
79.	Plate, Coupler Mounting	11080-0511-02	N/A	1
80.	Rack, Integrated	A3276903	N/A	1

MATERIAL REQUIRED BUT NOT INCLUDED IN KITS (Contd):*Table 4-2. Non-Kit Parts List for Installation of CAISR Equipment (Contd).*

ITEM NO.	NOMENCLATURE	PART NUMBER	NSN	QTY.
81.	Rail, Left Overhead	A3265060-001	N/A	1
82.	Rail, Right Overhead	A3265060-002	N/A	1
83.	Rivet, Blind	12339355-1	5320-01-271-6357	2
84.	RT Radio Mount	RF-5073VSM	5975-01-517-1766	1
85.	Screw	9417875	N/A	4
86.	Screw, Cap	B1821BH044C150N	5305-00-071-2055	2
87.	Screw, Cap	B1821BH025C113N	5305-00-225-3842	4
88.	Screw, Cap	B1821BH044C125N	5305-00-071-1788	4
89.	Screw, Cap	B1821BH025C125N	5305-00-068-0509	6
90.	Screw, Cap	B1821BH025C100N	5305-00-225-3843	61
91.	Screw, Cap	B1821BH031F075N	5306-00-050-1238	2
92.	Screw, Cap	B1821BH031F100N	5305-00-051-4076	2
93.	Screw, Cap	B1821BH038C225N	5305-01-434-2947	2
94.	Screw, Cap	B1821BH025C062N	5305-01-458-5397	4
95.	Screw, Cap	B1821BH025C150N	5305-00-071-2509	4
96.	Screw, Cap	B1821BH038C150N	5305-00-725-2317	4
97.	Screw, Cap	B1821BH038F175N	5305-00-269-3241	4
98.	Screw, Cap	B1821BH025C075N	5305-00-068-0508	6
99.	Screw, Cap	B1821BH025C088N	5305-00-071-2505	7
100.	Screw, Cap	B1821BH025C138N	5305-00-225-3841	8
101.	Screw, Cap	B1821BH031F125N	5305-00-051-4078	10
102.	Screw, Cap	B1821BH031C100N	5306-00-226-4827	16
103.	Screw	160035	5305-00-016-0035	1
104.	Screw	MS35206-265	5305-00-984-6212	3
105.	Screw	MS35206-230	5305-00-889-3000	5
106.	Screw	MS35206-264	5305-00-984-6211	3
107.	Screw, Self-Tapping	9426634	4320-00-570-6117	4
108.	Screw, Self-Tapping	12342499-2	5305-01-264-5809	7
109.	Screw, Self-Tapping	9426241	5305-01-206-7219	9
110.	Screw, Self-Tapping	9421073	5305-01-162-8512	19
111.	Spacer	A3046313	5820-01-237-8096	4
112.	Spacer	92510A318	N/A	4
113.	Spacer	10705AL315C	5365-01-487-3145	4
114.	Spacer	10181-5214-01	N/A	19
115.	Speaker	10181-5180-01	N/A	1
116.	Strap, Ground	7147-1167-3	N/A	2
117.	Strap, Tiedown	MS3367-1-0	5975-00-984-6582	A/R
118.	Terminal Board	12480570	N/A	1
119.	Terminal Board	MS27212-3-8	5940-00-950-7782	1
120.	Terminal Board Cover	12480569-1	N/A	1

MATERIAL REQUIRED BUT NOT INCLUDED IN KITS (Contd):

Table 4-2. Non-Kit Parts List for Installation of C4ISR Equipment (Contd).

ITEM NO.	NOMENCLATURE	PART NUMBER	NSN	QTY.
121.	Terminal Board Cover	12480569-2	N/A	1
122.	Terminal Board Cover	MS18029-3S-2	5940-01-280-9304	1
123.	Terminal Link	MS25266-6N-2	6150-01-167-9267	1
124.	Terminal Lug	7728777	5940-00-983-4067	1
125.	Terminal Lug	MS20659-108	5940-00-115-2674	2
126.	Terminal Lug	MS20659-129	5940-00-114-1314	2
127.	Terminal Lug	MS20659-141	5940-00-113-9825	10
128.	Theft Deterrent	10497-0871-01	N/A	1
129.	Tubing, Convolutd	Z52-0013-001	N/A	1
130.	Tubing, Shrink	MS23053/4-302-0	5970-01-161-6796	A/R
131.	Washer	9417373	5310-01-361-1163	1
132.	Washer	9414920	5310-01-476-8589	2
133.	Washer	MS51412-23	5310-01-333-0060	2
134.	Washer	12338095	5310-01-208-7576	3
135.	Washer	2436163	5310-01-412-4013	14
136.	Washer	2436161	5310-01-102-3270	87
137.	Washer, Lock	120380	5310-00-543-2705	1
138.	Washer, Lock	131043	5310-00-013-1043	4
139.	Washer, Lock	MS35338-41	5310-00-045-4007	5
140.	Washer, Lock	120382	5310-00-774-7293	6
141.	Washer, Lock	MS35338-141	5310-00-984-7042	6
142.	Washer, Lock	MS45904-72	5310-00-889-2527	18
143.	Washer, Lock	MS45904-71	5310-00-947-6980	37
144.	Washer, Lock	MS35338-44	5310-00-582-5965	46
145.	Wingnut	MS51553-420	5310-01-384-2546	4
146.	Wire Assembly, Fuse (12V)	12480568-2	N/A	1
147.	Wire Assembly, Fuse (24V)	12480568-1	N/A	3
148.	Wire, Braided	AA59569F30T0375	6145-00-191-8402	A/R
149.	Wire, Lock	MS20995C32	9505-00-293-4208	A/R

CHAPTER 5 INSTALLATION PROCEDURES

Section I. SCOPE

This chapter provides instructions for installation of the following C4ISR equipment:

- Single Channel Ground and Airborne Radio System (SINCGARS)
- Force XXI Battle Command, Brigade-and-Below (FBCB2)
- Precision Lightweight Global Positioning System Receiver (PLGR)
- Enhanced Position Location Reporting System (EPLRS)
- HF 150 Watt Radio
- Additional terminal boards in the vehicle

When installing C4ISR equipment, be sure to read and follow instructions and illustrations carefully.

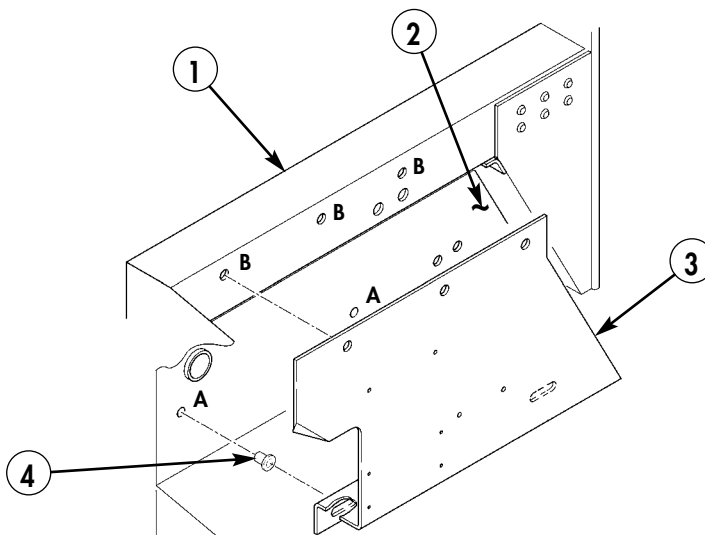
Section II. INSTALLATION OF TERMINAL BOARDS

Use the following procedure to install additional terminal boards to provide adequate power connections. Vehicles must have dual-voltage alternators installed in order to have both 12V and 24V terminal boards installed.

Section III. CAB ENCLOSURE PANEL, TERMINAL BOARD, AND COVER MODIFICATION

NOTE

- For vehicles without cab enclosure panel, begin with step 3-1 and use cab enclosure panel NSN 2510-01-413-5993.
 - For vehicles with cab enclosure panel, begin with step 3-3.
 - All dimensions are in inches.
- 3-1.** Place cab enclosure panel (3) in position. Locate, mark, and drill five 0.159-in. diameter holes marked A and B in B-beam (1) and battery box (2).
 - 3-2.** Enlarge two lower mounting holes marked A to 0.390-in. diameter and install two inserts (4) in battery box (2).



- 3.** CAB ENCLOSURE PANEL – 12447141 – QTY. 1
- 4.** INSERT – 12446871-2 – QTY. 2

Figure 5-1.

NOTE

- Do not install cab enclosure panel.
- Use figures 5-2 and 5-3 to identify cab enclosure panel that is being modified.

3-3. Locate, mark, and drill three 0.156-in. diameter holes marked A in cab enclosure panel (3).

3-4. Locate, mark, and drill two 0.156-in. diameter holes marked C in cab enclosure panel (3).

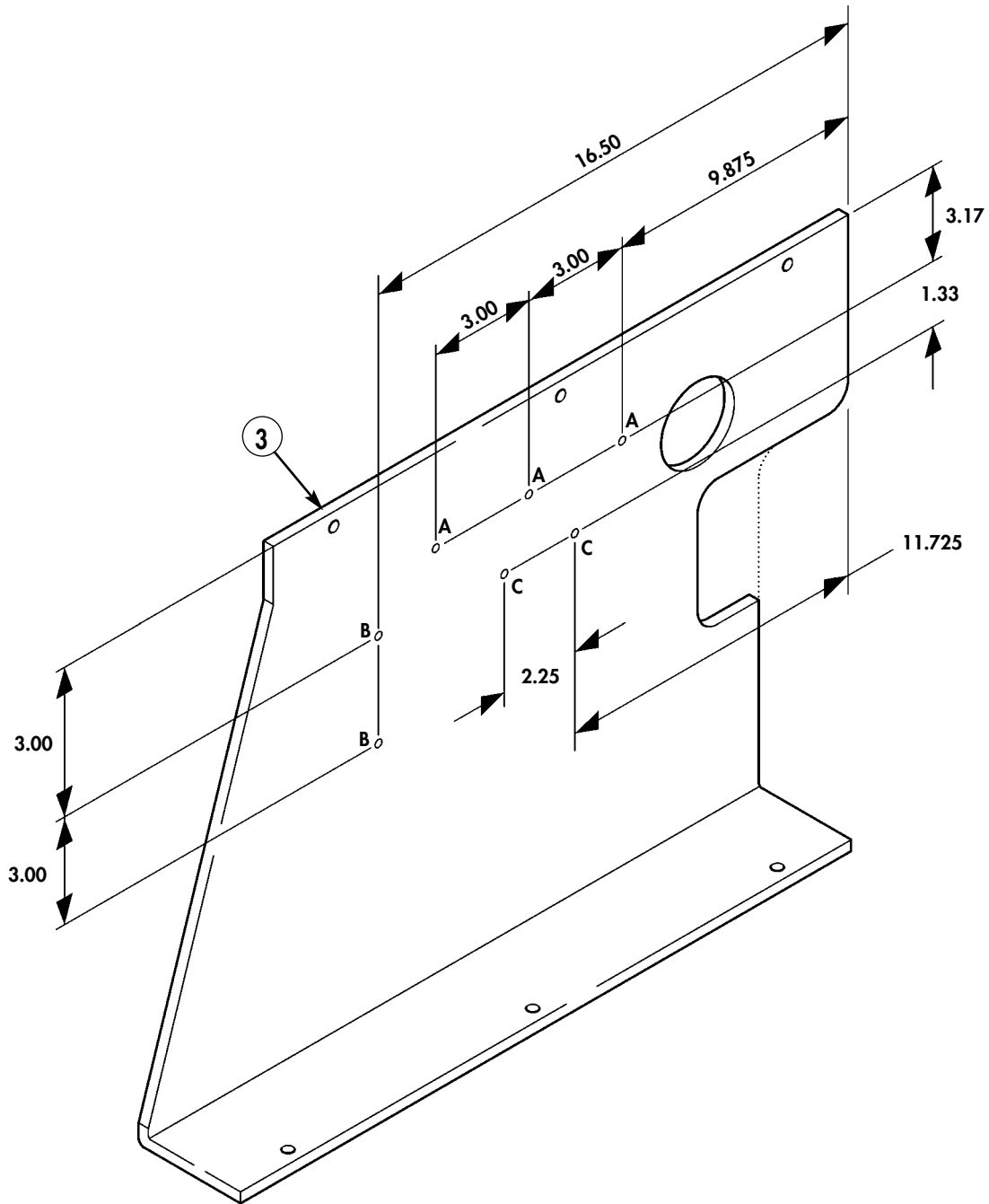


Figure 5-2.

3-5. Locate, mark, and drill two 0.196-in. diameter holes marked B in cab enclosure panel (3).

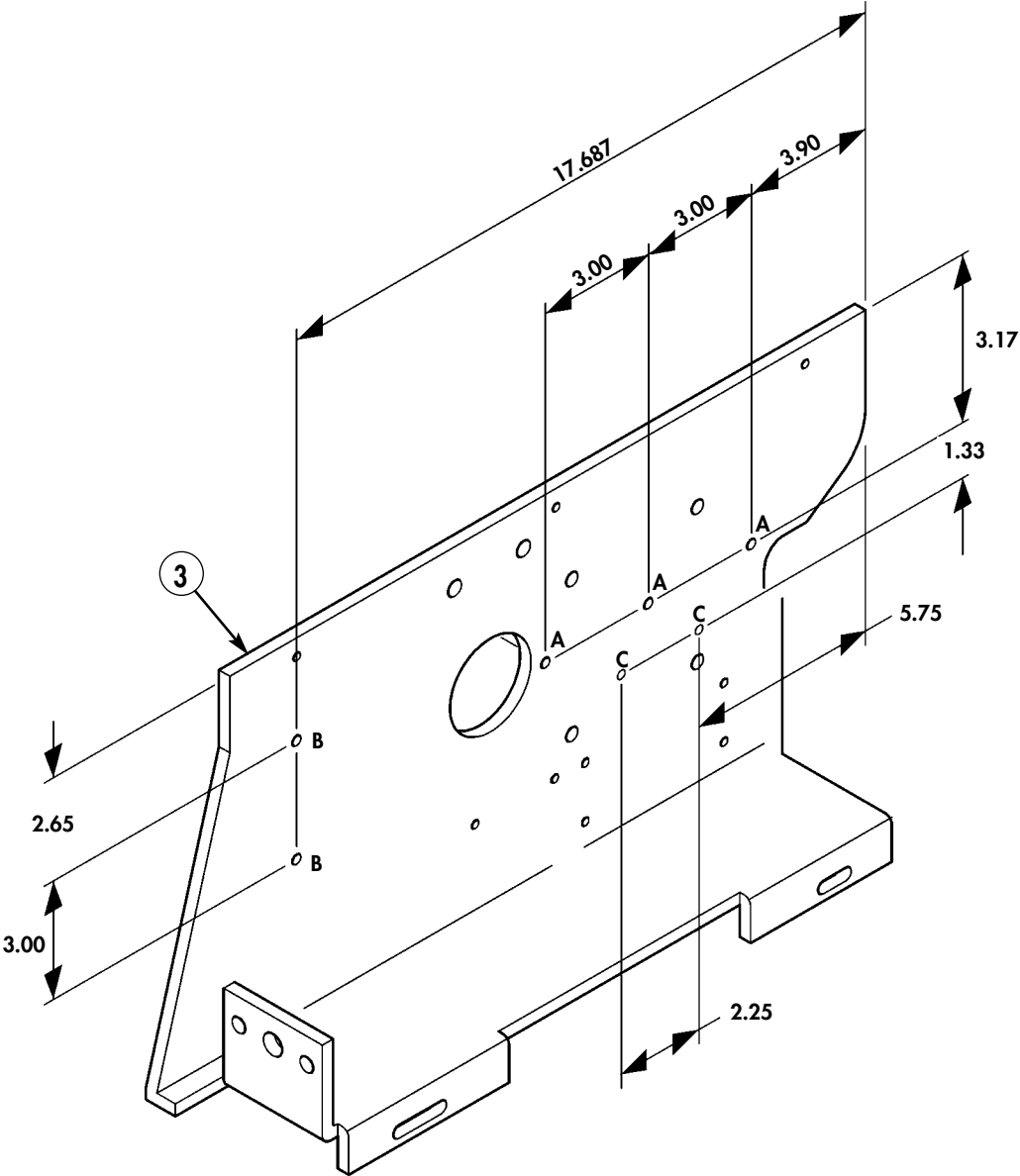


Figure 5-3.

CAUTION

Do not cut raised sections of terminal board. Terminal board is not usable if cut on raised section.

- 3-6. Measure and cut terminal board (5) in two places (6). Remove burrs and sharp edges.
- 3-7. Install five nut sleeves (9) in terminal board covers (7), (8), and (10), and secure with five snaprings (11).

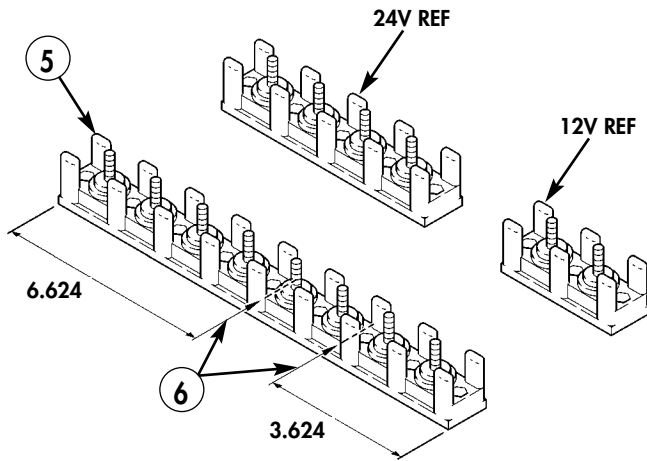


Figure 5-4.

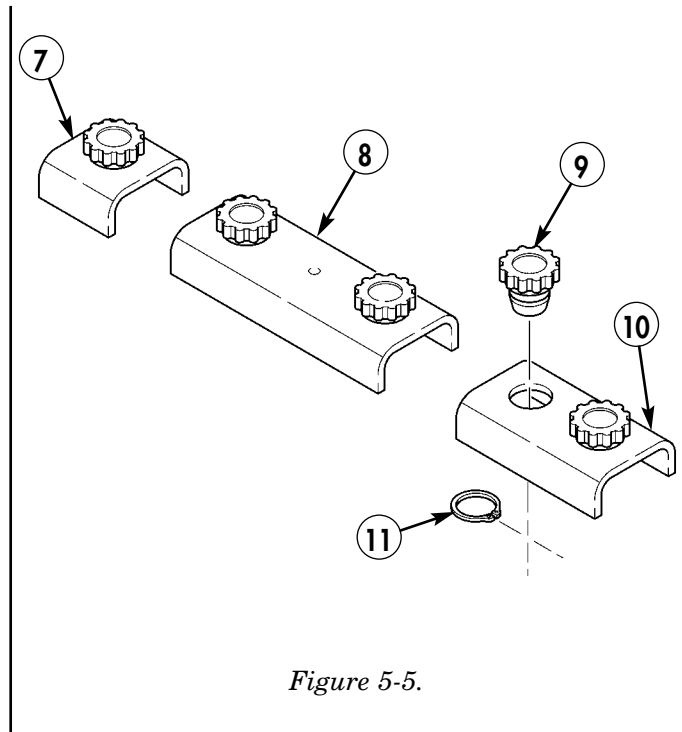


Figure 5-5.

- 5. TERMINAL BOARD – MS27212-3-8 – QTY. 1
- 7. TERMINAL BOARD COVER – 12480569-1 – QTY. 1
- 8. TERMINAL BOARD COVER – 12480569-2 – QTY. 1
- 10. TERMINAL BOARD COVER – MS18029-3S-2 – QTY. 1

Section IV. B-BEAM PREPARATION

Locate, mark, and drill four 0.159-in. diameter holes (2) in B-beam (1).

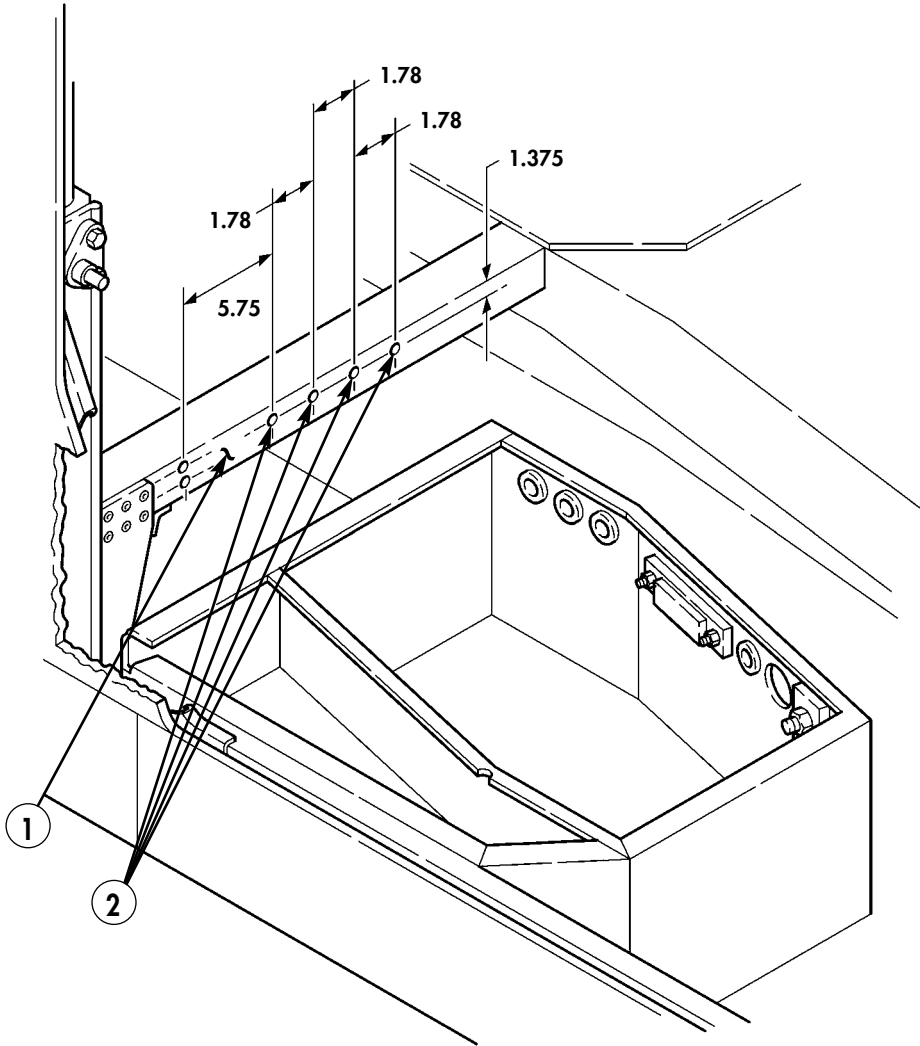
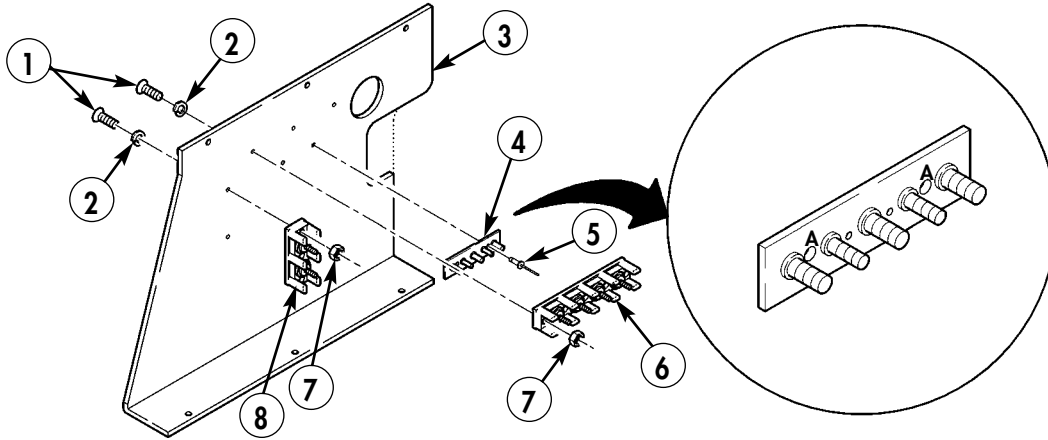


Figure 5-6.

Section V. ASSEMBLY OF CAB ENCLOSURE PANEL

- 5-1. Install 12V terminal board (8) on cab enclosure panel (3) with two screws (1), lockwashers (2), and nuts (7).
- 5-2. Install 24V terminal board (6) on cab enclosure panel (3) with three screws (1), lockwashers (2), and nuts (7).
- 5-3. Enlarge two holes marked A in terminal board (4) to 0.196 in., and secure terminal board (4) to cab enclosure panel (3) with two rivets (5).



- 1. SCREW – MS35206-230 – QTY. 5
- 2. LOCKWASHER – MS35338-41 – QTY. 5
- 4. TERMINAL BOARD – 12480570 – QTY. 1
- 5. BLIND RIVET – 12339355-1 – QTY. 2
- 7. NUT – MS35649-63 – QTY. 5

Figure 5-7.

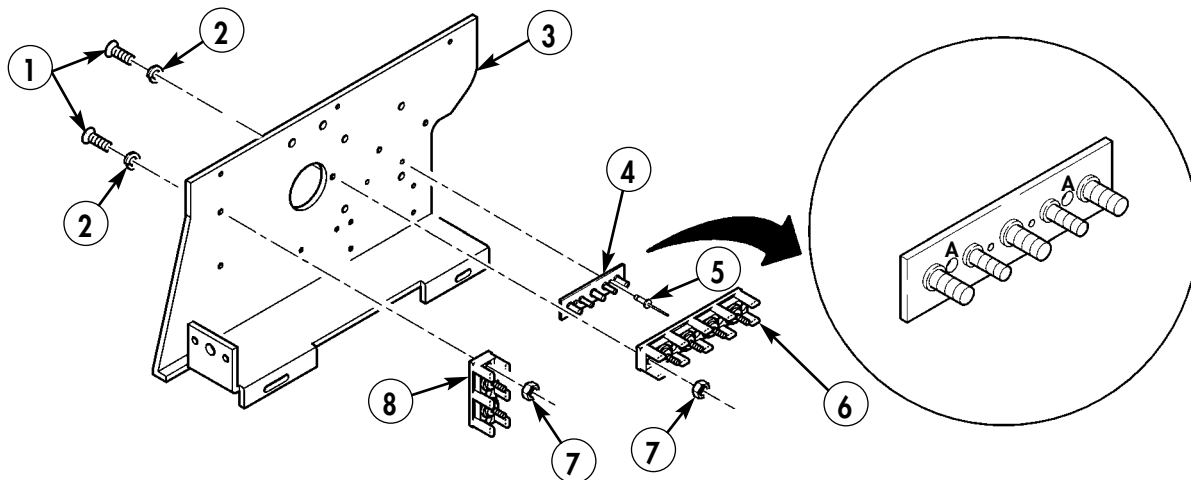


Figure 5-8.

Section VI. FINAL ASSEMBLY, TERMINAL BOARD WIRING, AND TERMINAL LINK

NOTE

- Refer to figure 5-9 for wiring overview.
- Perform steps 6-1 and 6-2 if hole and grommet do not exist in battery box.

- 6-1.** Locate, mark, and drill one 2.00-in. diameter hole (6) in upper right corner of rear wall of battery box.
- 6-2.** Install grommet (7) in hole (6).
- 6-3.** Secure terminal link (2) and fuse wire (3) to 12V terminal board (1) with two locknuts (4). Install cover (5) on 12V terminal board (1).
- 6-4.** Route wire (8) through battery box hole (6).

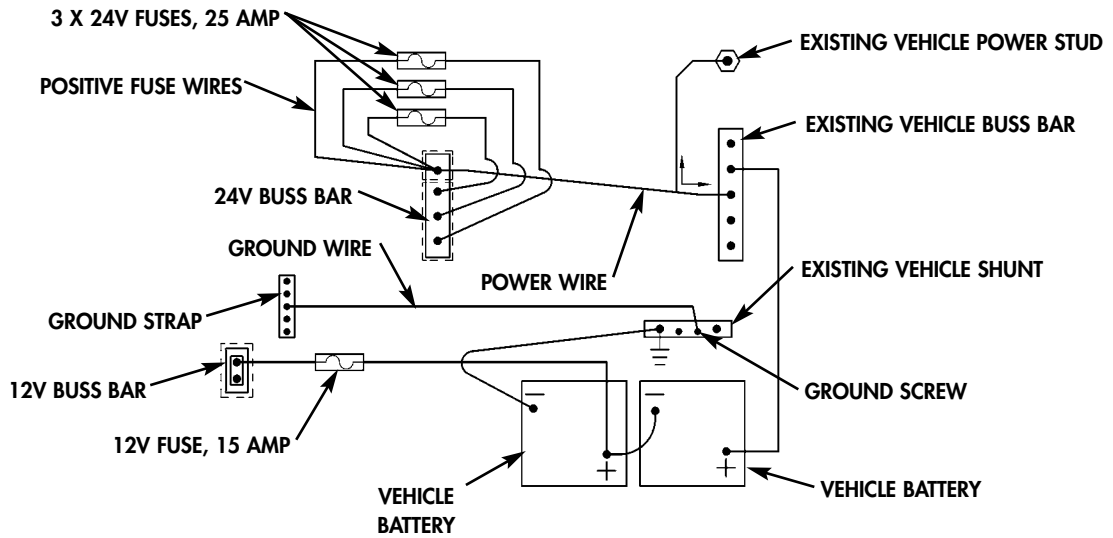
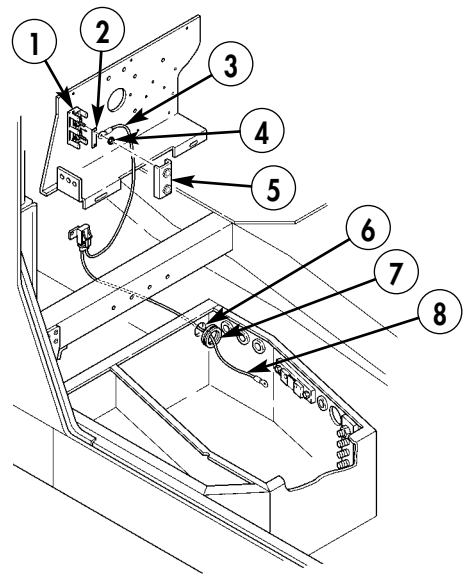


Figure 5-9.



- 2. TERMINAL LINK – MS25226-6N-2 – QTY. 1**
- 3. FUSE WIRE ASSEMBLY (12V) – 12480568-2 – QTY. 1**
- 4. LOCKNUT – 271175 – QTY. 2**
- 7. GROMMET – 2400 – QTY. 1**

Figure 5-10.

- 6-5.** Connect wire (8) to existing positive 12V battery terminal end (10) with existing screw (9) and nut (11).

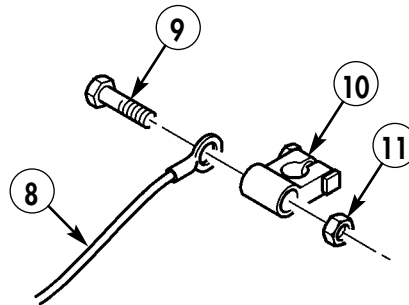
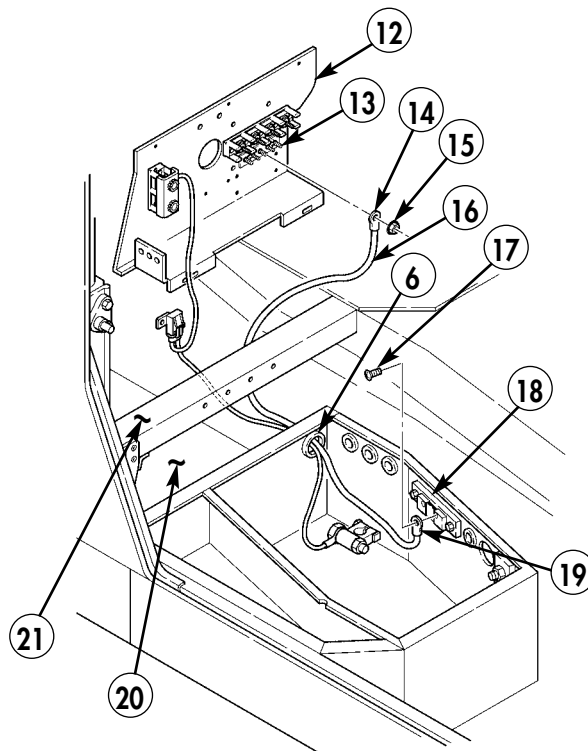


Figure 5-11.

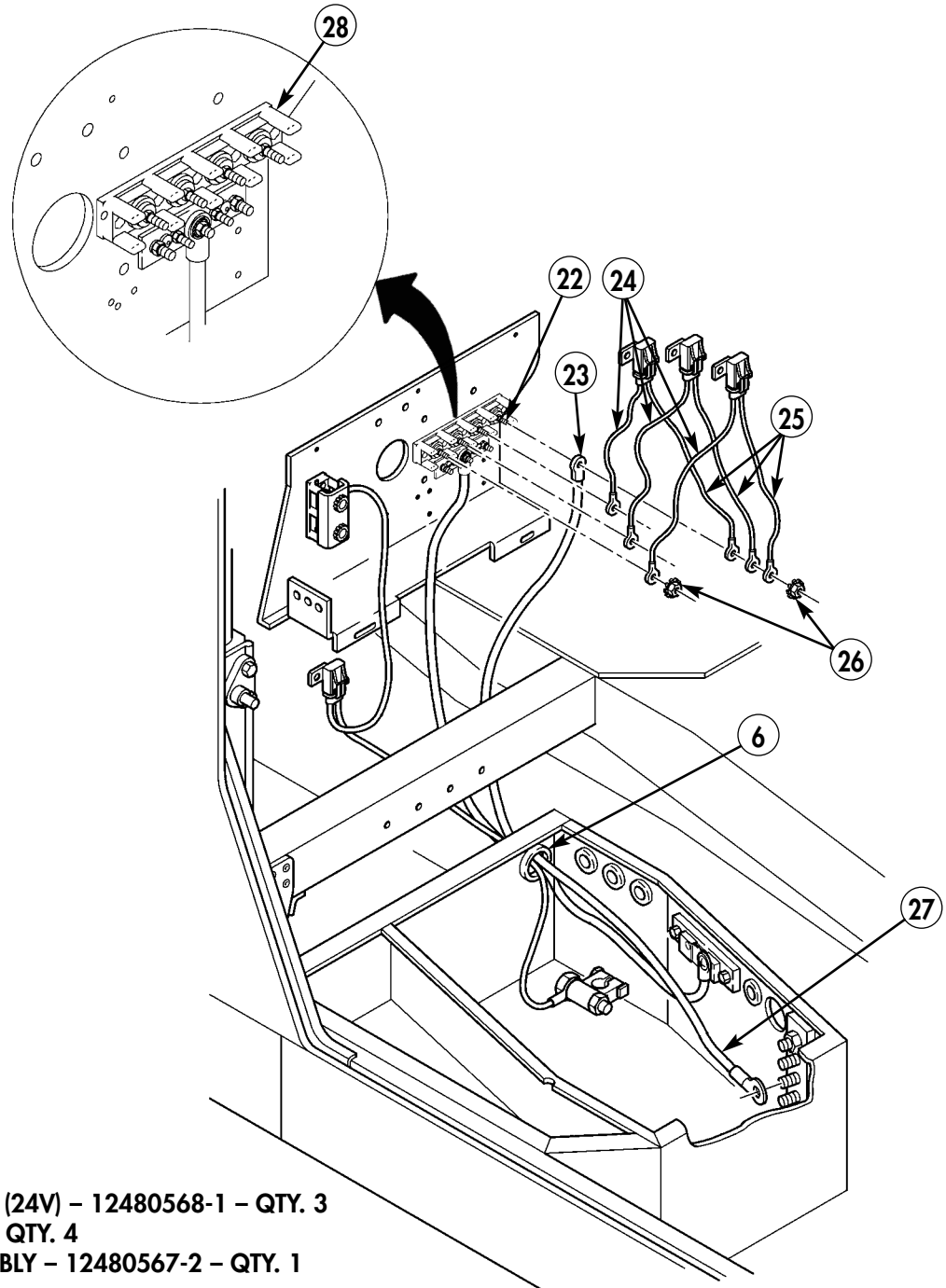
- 6-6.** Position cab enclosure panel (12) in rear floor pan (20) and rear of B-beam (21). Do not secure cab enclosure panel (12) at this time.
- 6-7.** Route ground cable (16) through battery box hole (6).
- 6-8.** Secure terminal lug (14) on center terminal of terminal board (13) with nut (15), and secure terminal lug (19) on shunt (18) with existing screw (17).
- 6-9.** Install four additional nuts (15) on terminal board (13).



- 15. PLAIN-ASSEMBLED NUT – 271169 – QTY. 5**
16. GROUND CABLE ASSEMBLY – 12480567-1 – QTY. 1

Figure 5-12.

- 6-10.** Route 24V power cable (27) through hole (6) and install 24V power cable terminal lug (23) on inboard stud (22) of terminal board (28). Do not secure 24V power cable terminal lug (23) at this time.
- 6-11.** Secure three fuse wires (25) and 24V power cable terminal lug (23) to inboard terminal board stud (22) with locknut (26).
- 6-12.** Secure three remaining fuse wires (24) to corresponding studs on 24V terminal board (28) with three locknuts (26).



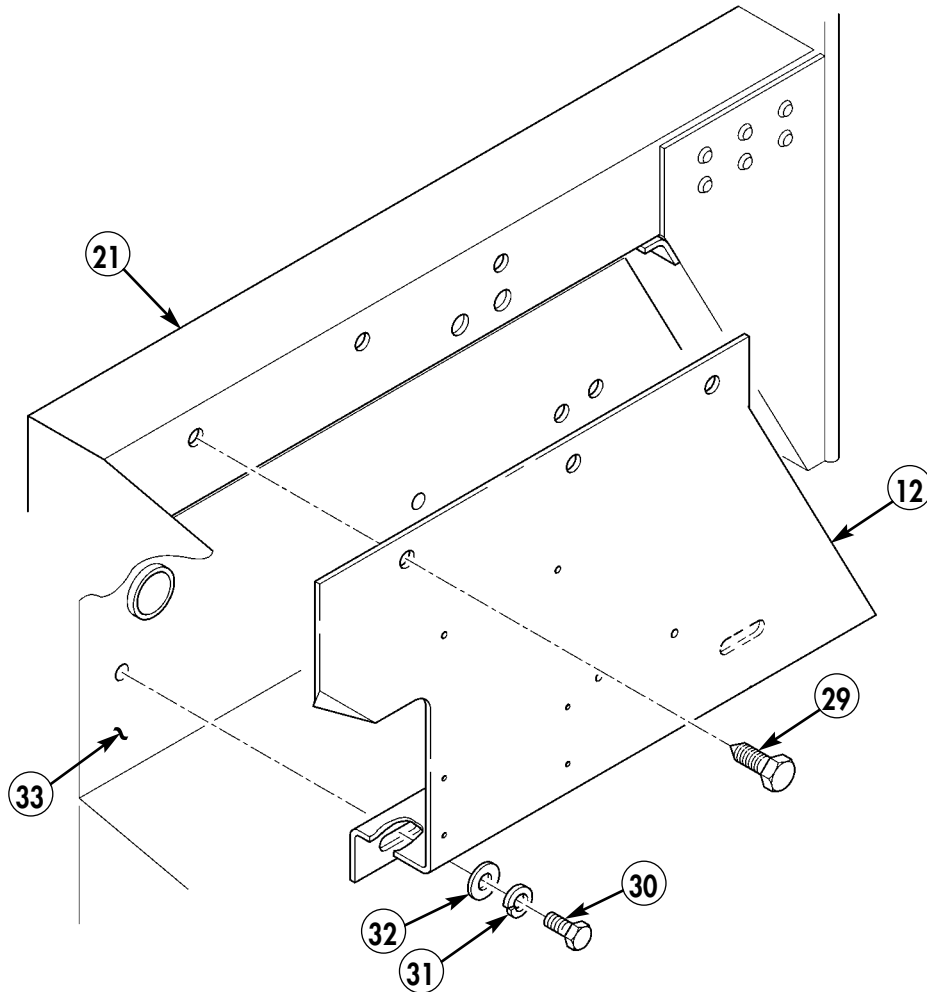
- 24. FUSE WIRE ASSEMBLY (24V) - 12480568-1 - QTY. 3**
26. LOCKNUT - 271175 - QTY. 4
27. POWER CABLE ASSEMBLY - 12480567-2 - QTY. 1

Figure 5-13.

NOTE

For vehicles with new cab enclosure panel, begin with step 6-14.

- 6-13.** Install cab enclosure panel (12). (Refer to TM 9-2320-280-20.)
- 6-14.** Secure cab enclosure panel (12) to B-beam (21) with three self-tapping screws (29).
- 6-15.** Secure cab enclosure panel (12) to battery box (33) with two capscrews (30), lockwashers (31), and washers (32).



- 29. SELF-TAPPING SCREW – 12342499-2 – QTY. 3**
- 30. CAPSCREW – B1821BH025C075N – QTY. 2**
- 31. LOCKWASHER – MS35338-48 – QTY. 2**
- 32. FLAT WASHER – MS51412-23 – QTY. 2**

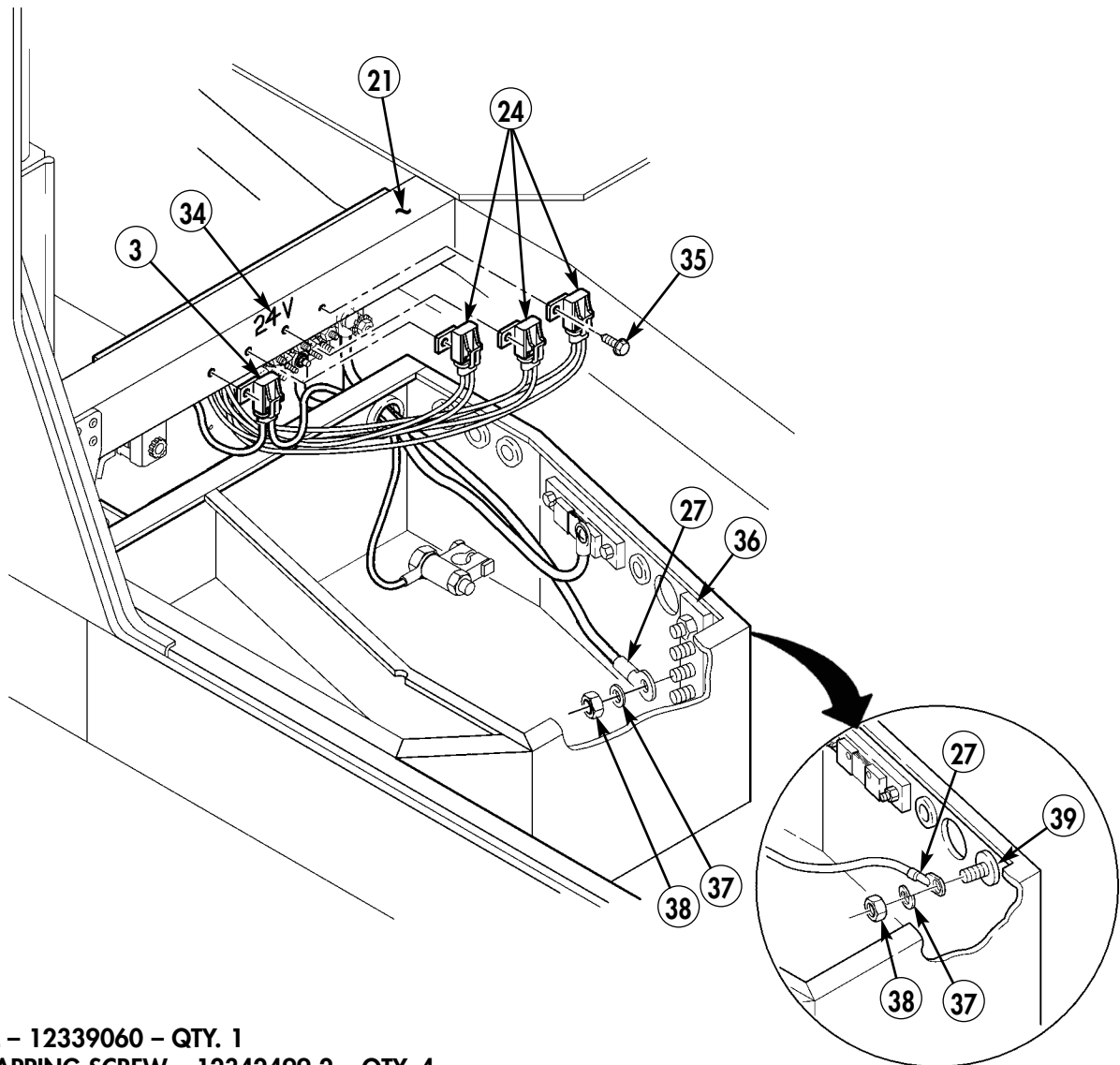
Figure 5-14.

- 6-16.** Secure three 24V fusewire assemblies (24) and one 12V fusewire assembly (3) to B-beam (21) with four self-tapping screws (35).

NOTE

For models equipped with power stud, perform step 6-17.
Otherwise, proceed to step 6-18.

- 6-17.** Secure 24V terminal board power wire terminal lug (27) to power stud (39) with lockwasher (37) and existing nut (38).
- 6-18.** Secure 24V terminal board power wire terminal lug (27) to terminal board (36) with lockwasher (37) and existing nut (38).
- 6-19.** Install decal (34) on B-beam (21).
- 6-20.** If previously removed, install right-hand rear fixed door. (Refer to TM 9-2320-280-20.)
- 6-21.** Install batteries. (Refer to TM 9-2320-280-20.)



- 34. DECAL – 12339060 – QTY. 1**
35. SELF-TAPPING SCREW – 12342499-2 – QTY. 4
37. LOCKWASHER – MS35338-48 – QTY. 1

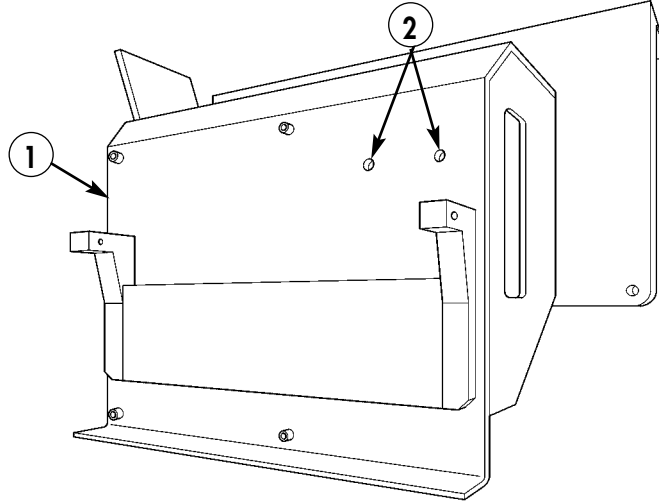
Figure 5-15.

Section VII. INTEGRATED RACK INSTALLATION

NOTE

Perform step 7-1 only if MT-6353/VRC mounting base is to be installed.

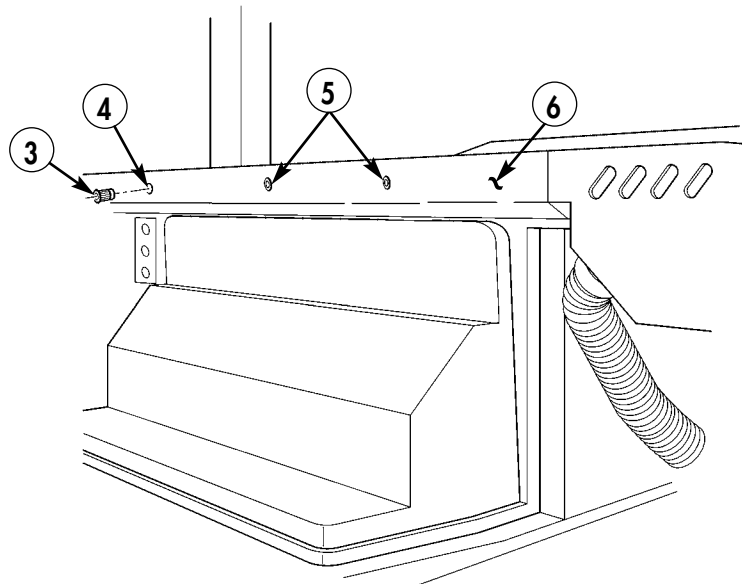
- 7-1. Remove two inserts (2) from bottom of integrated rack (1).



1. RACK, INTEGRATED – A3276903 – QTY. 1

Figure 5-16.

- 7-2. Using integrated rack (1) as template, locate, mark, and drill one 0.390-in. diameter hole (4) in dash (6).
- 7-3. Remove paint from vicinity of hole (4) and two existing inserts (5).
- 7-4. Install insert (3) in hole (4).
- 7-5. Apply anti-seize compound to vicinity of inserts (3) and (5) as required.



3. INSERT – 12446871-2 – QTY. 1

Figure 5-17.

- 7-6. Remove paint from vicinity of three mounting slots (7) on integrated rack (1).
- 7-7. Apply anti-seize compound to vicinity of three mounting slots (7) on integrated rack (1) as required.

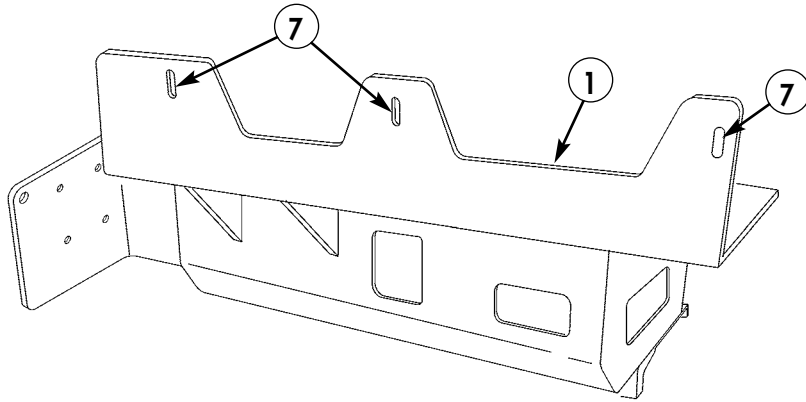
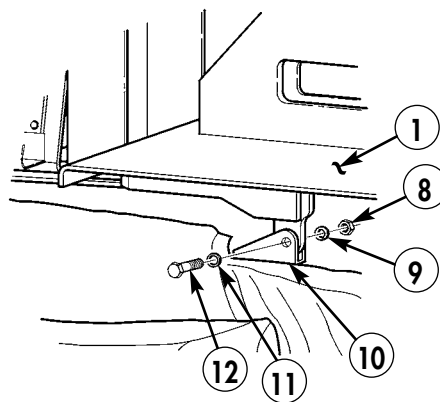


Figure 5-18.

NOTE

Do not install mounting hardware on top of integrated rack at this time. Not installing this hardware leaves the integrated rack free to pivot to assist in routing of cabling. Secure rack only after all cabling has been routed.

- 7-8. Mount integrated rack (1) to existing radio rack mount (10) using screw (12), washer (11), lockwasher (9), and nut (8). Repeat for opposite side. Do not tighten screws.



8. NUT – MS35649-2382 – QTY. 2
9. LOCKWASHER – MS35338-46 – QTY. 2
11. WASHER – 2436163 – QTY. 2
12. CAPSCREW – B1821BH038C225N – QTY. 2

Figure 5-19.

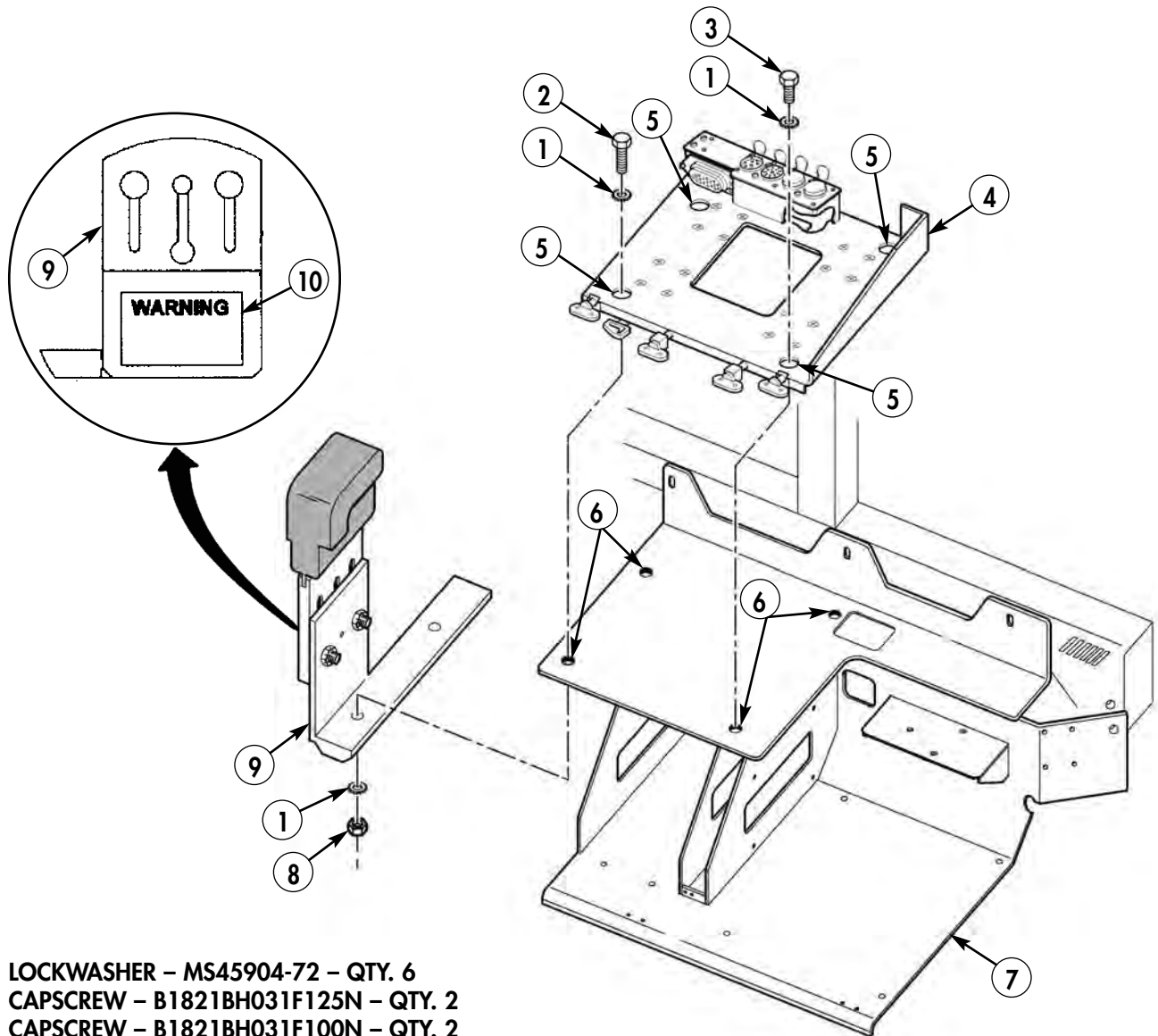
Section VIII. INSTALLATION OF SINGARS MOUNTING TRAY AND AMP GUARD

- 8-1. Remove paint from vicinity of four mounting holes (6) on integrated rack (7) and four mounting holes (5) on bottom of mounting base (4).
- 8-2. Apply anti-seize compound to vicinity of four mounting holes (6) on integrated rack (7) and four mounting holes (5) on mounting base (4) as required.

NOTE

Two lockwashers and one nut are used on driver-side screws only.

- 8-3. Install MT-6352/VRC mounting base (4) and amp guard (9) on integrated rack (7) with two capscrews (2), four lockwashers (1), and two nuts (8). Secure MT-6352/VRC mounting base (4) to integrated rack (7) with two capscrews (3) and lockwashers (1).
- 8-4. Place warning decal (10) on amp guard (9).



- 1. LOCKWASHER – MS45904-72 – QTY. 6
- 2. CAPSCREW – B1821BH031F125N – QTY. 2
- 3. CAPSCREW – B1821BH031F100N – QTY. 2
- 4. MOUNTING BASE, MT-6352/VRC – A3013367-1 – QTY. 1
- 8. NUT – MS51968-5 – QTY. 2
- 9. AMP GUARD – 872842-1 – QTY. 1
- 10. DECAL – 861868-2 – QTY. 1

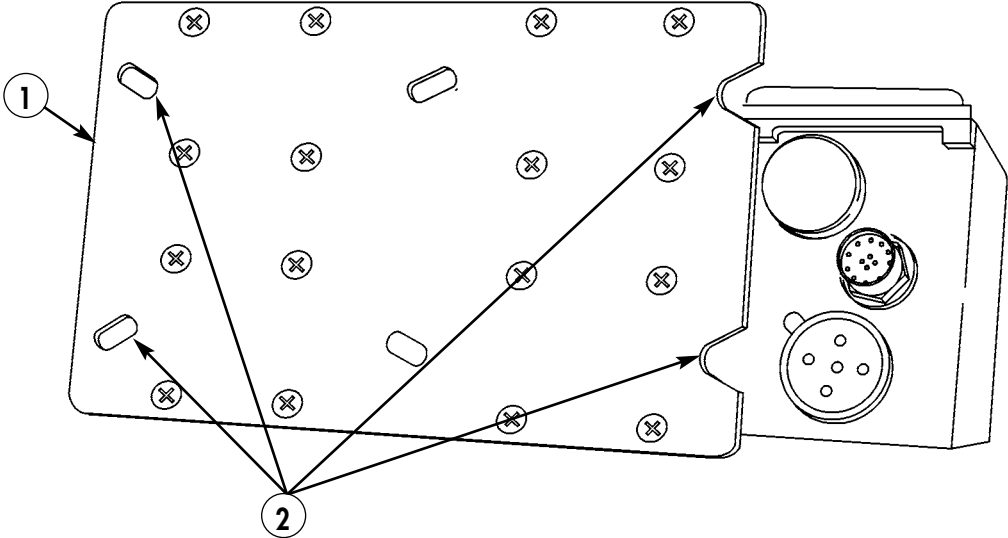
Figure 5-20.

Section IX. POWER AMPLIFIER INSTALLATION

NOTE

Perform this procedure only if SINCGARS model AN/VRC-92F is to be installed.

- 9-1. Remove paint from vicinity of four mounting areas (2) on MT-6353/VRC mounting base (1) and apply anti-seize compound as required.



1. MOUNTING BASE, MT-6353/VRC – A3014053-1 – QTY. 1

Figure 5-21.

- 9-2. Remove paint from vicinity of four mounting holes (4) on integrated rack (3) and apply anti-seize compound as required.

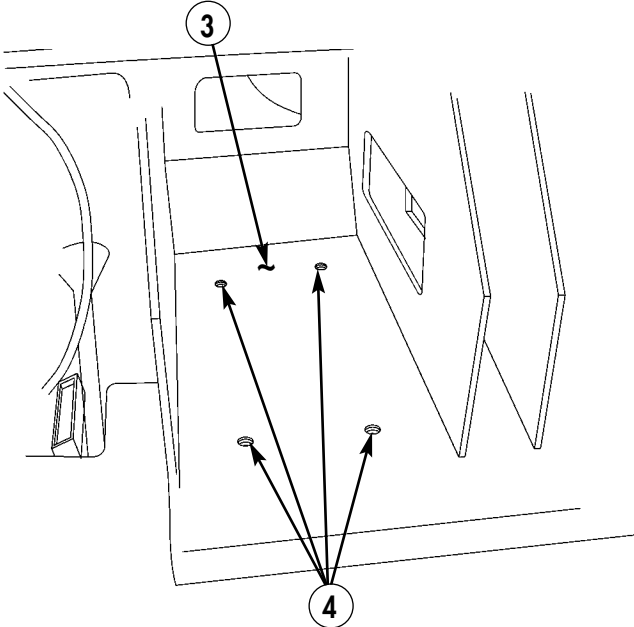
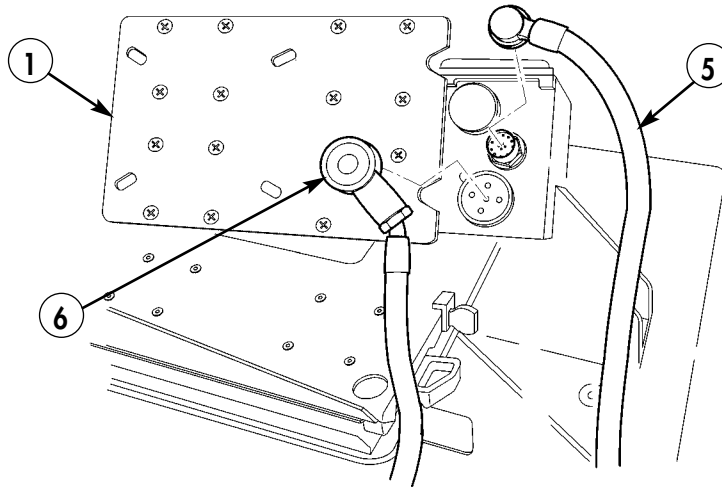


Figure 5-22.

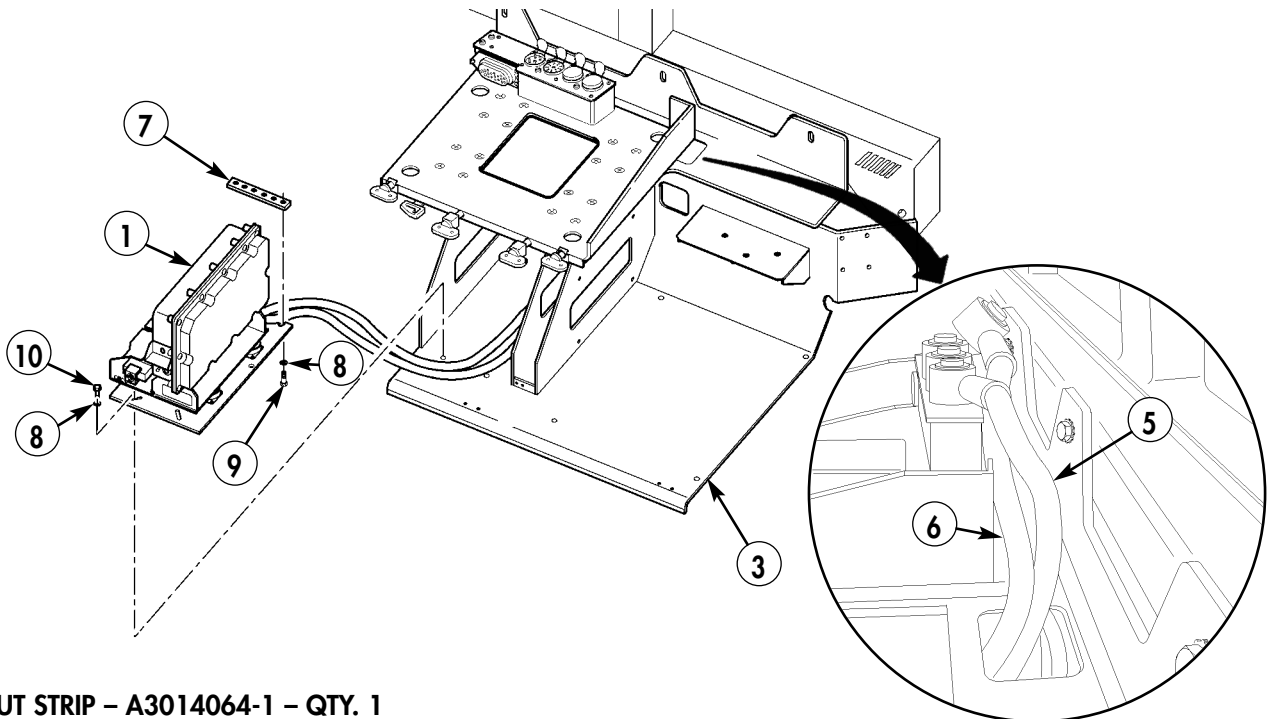
- 9-3. Attach control cable (5) to MT-6353/VRC mounting base (1).
- 9-4. Attach power cable (6) to MT-6353/VRC mounting base (1).



- 5. CONTROL CABLE – A3014037-4 – QTY. 1
- 6. POWER CABLE – A3014040-9 – QTY. 1

Figure 5-23.

- 9-5. Route control cable (5) and power cable (6) through hole in back of integrated rack.
- 9-6. Attach MT-6353/VRC mounting base (1) to integrated rack (3) with two cap screws (9) and (10), six lockwashers (8), and nut strip (7).



- 7. NUT STRIP – A3014064-1 – QTY. 1
- 8. LOCKWASHER – MS45904-72 – QTY. 6
- 9. CAPSCREW – B1821BH031F125N – QTY. 2
- 10. CAPSCREW – B1821BH031F075N – QTY. 2

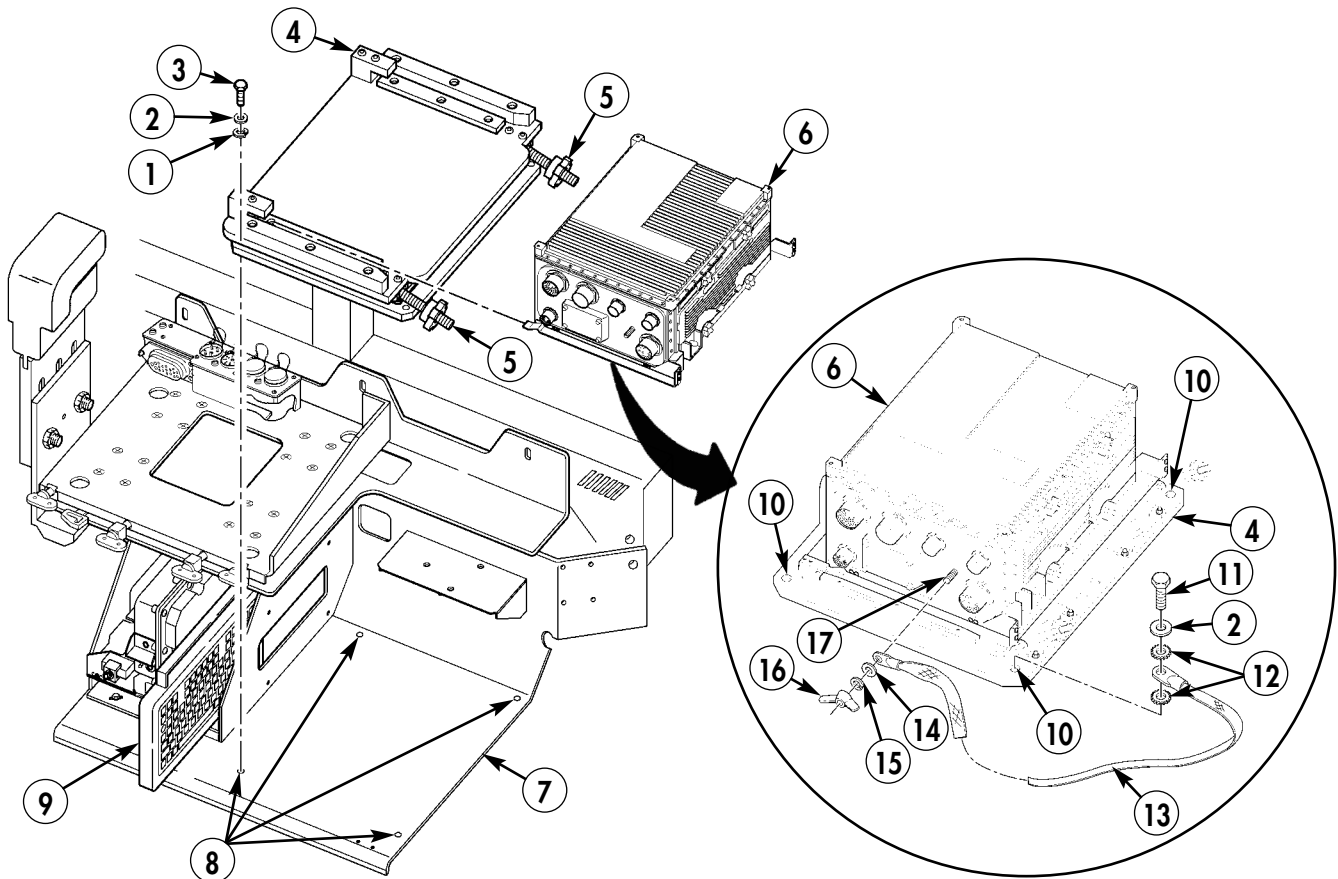
Figure 5-24.

Section X. FCB2 COMPONENTS INSTALLATION

NOTE

SINGGARS model AN/VRC-92F shown.

- 10-1. Remove paint from vicinity of holes (8) on integrated rack (7) and on both sides from vicinity of corresponding holes (10) on CPU isolation kit (4). Apply anti-seize compound as required.
- 10-2. Install CPU isolation kit (4) on integrated rack (7) with three capscrews (3), washers (2), and lockwashers (1), leaving open holes (8) and (10).
- 10-3. Install keyboard (9) in keyboard slot of integrated rack (7).
- 10-4. Install CPU (6) on CPU isolation kit (4) with two existing fastener guards (5).
- 10-5. Fabricate ground strap (13) from 8.00-in. length of braided wire and two terminal lugs.
- 10-6. Install ground strap (13) on CPU ground stud (17) with existing washer (14), lockwasher (15), and wingnut (16).
- 10-7. Install ground strap (13) on CPU isolation kit (4) and integrated rack (7), with capscrew (11), washer (2), and two lockwashers (12).



1. LOCKWASHER – MS35338-44 – QTY. 3
2. WASHER – 2436161 – QTY. 4
3. CAPSCREW – B1821BH025C100N – QTY. 3
4. CPU ISOLATION KIT – 872826-2 – QTY. 1
6. CPU – 881292-1 – QTY. 1
11. CAPSCREW – B1821BH025C125N – QTY. 1
12. LOCKWASHER – MS45904-68 – QTY. 2
13. CPU GROUND STRAP
 - BRAIDED WIRE – AA59569F30T0375 – QTY. A/R
 - TERMINAL LUG – MS20659-141 – QTY. 2

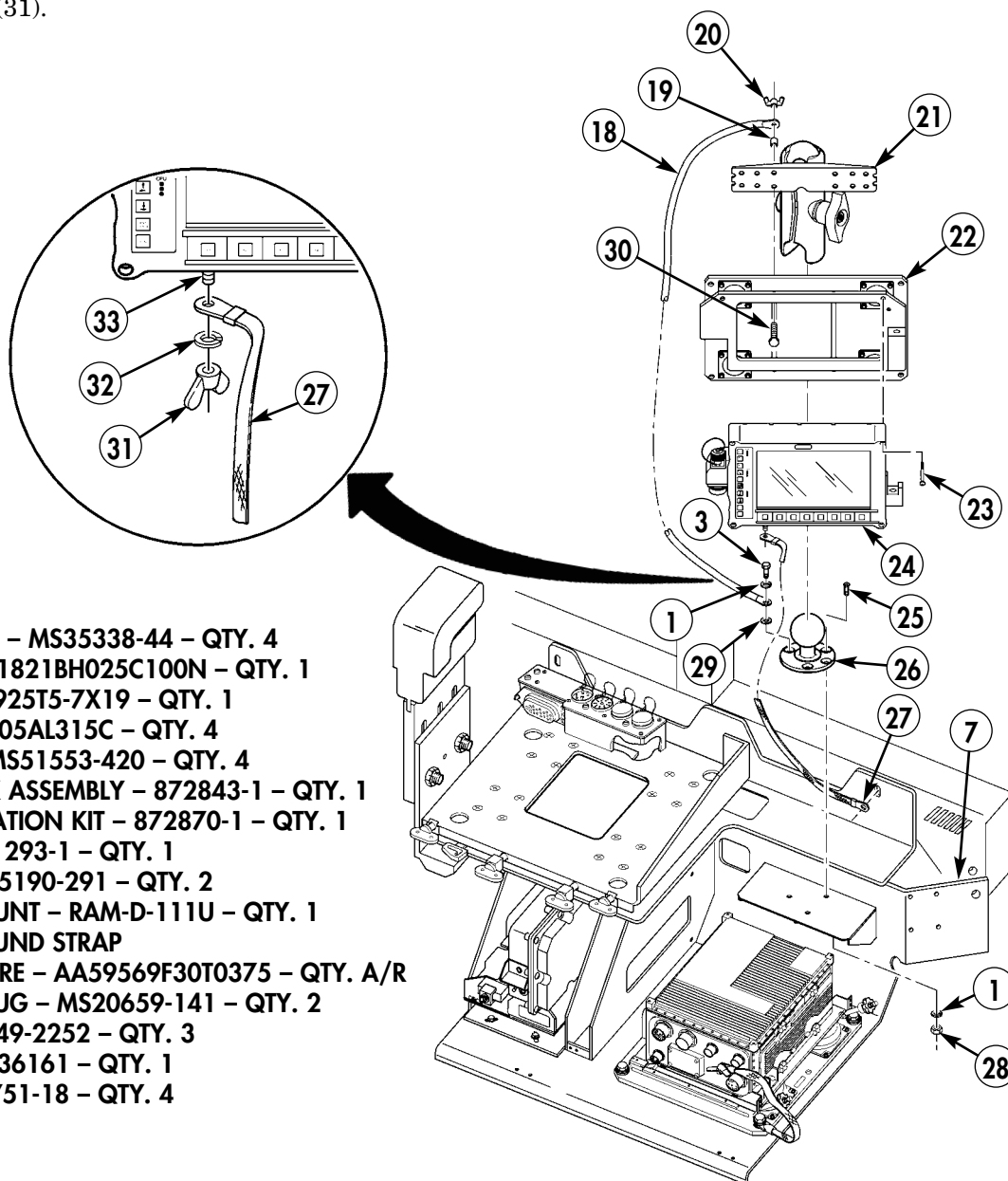
Figure 5-25.

- 10-8. Install ramball mount (26) on integrated rack (7) with two screws (25), screw (3), lockwasher (1), lanyard (18), washer (29), three lockwashers (1), and nuts (28).
- 10-9. Install display isolation kit (22) on display lock assembly (21) with four bolts (30), spacers (19), lanyard (18), and four wingnuts (20).
- 10-10. Install display unit (24) on display isolation kit (22) with four screws (23).
- 10-11. Install display lock assembly (21) on ramball mount (26).
- 10-12. Fabricate display ground strap (27) from 8-in. length of braided wire and two terminal lugs.

NOTE

Remove paint from vicinity of integrated rack mounting hole before performing step 10-13. Apply anti-seize compound as required. Ground strap will be installed on integrated rack only when integrated rack is fully secured in vehicle.

- 10-13. Install display ground strap (27) on display ground stud (33) with existing lockwasher (32) and wingnut (31).

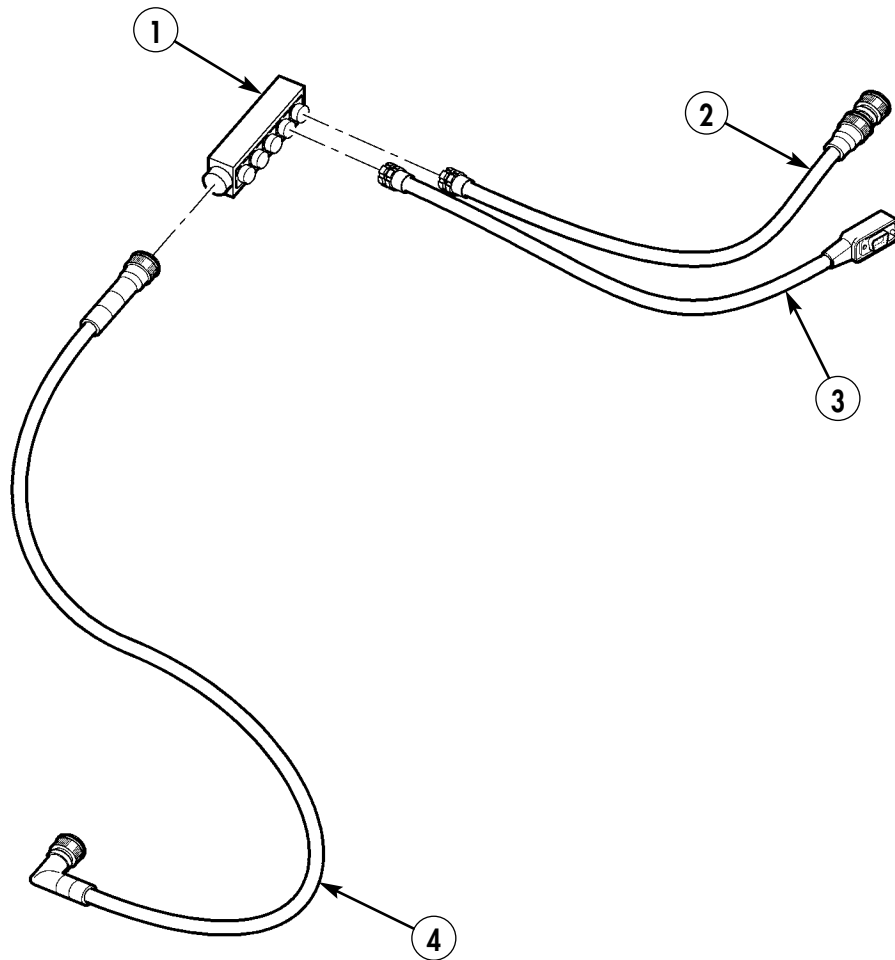


- 1. LOCKWASHER – MS35338-44 – QTY. 4
- 3. CAPSCREW B1821BH025C100N – QTY. 1
- 18. LANYARD – 8925T5-7X19 – QTY. 1
- 19. SPACER – 10705AL315C – QTY. 4
- 20. WINGNUT – MS51553-420 – QTY. 4
- 21. DISPLAY LOCK ASSEMBLY – 872843-1 – QTY. 1
- 22. DISPLAY ISOLATION KIT – 872870-1 – QTY. 1
- 24. DISPLAY – 881293-1 – QTY. 1
- 25. SCREW – MS35190-291 – QTY. 2
- 26. RAMBALL MOUNT – RAM-D-111U – QTY. 1
- 27. DISPLAY GROUND STRAP
 - BRAIDED WIRE – AA59569F30T0375 – QTY. A/R
 - TERMINAL LUG – MS20659-141 – QTY. 2
- 28. NUT – MS35649-2252 – QTY. 3
- 29. WASHER – 2436161 – QTY. 1
- 30. BOLT – MS35751-18 – QTY. 4

Figure 5-26.

Section XI. SERIAL INTERFACE ADAPTER DEVICE (SIAD) CABLES INSTALLATION

- 11-1. Install W3 cable (4) to SIAD (1).
- 11-2. Install W3N cable (2) to SIAD (1).
- 11-3. Install W3P cable (3) to SIAD (1).



- 1. SERIAL INTERFACE ADAPTER DEVICE – 881331-1 – QTY. 1
- 2. W3N CABLE – 881336-1 – QTY. 1
- 3. W3P CABLE – 881335-1 – QTY. 1
- 4. W3 CABLE – P/O 881331-1 – QTY. 1

Figure 5-27.

Section XII. SERIAL INTERFACE ADAPTER DEVICE (SIAD) INSTALLATION

Position SIAD (1) securely between FBCB2 (2) and keyboard tray (3) on integrated rack (4).

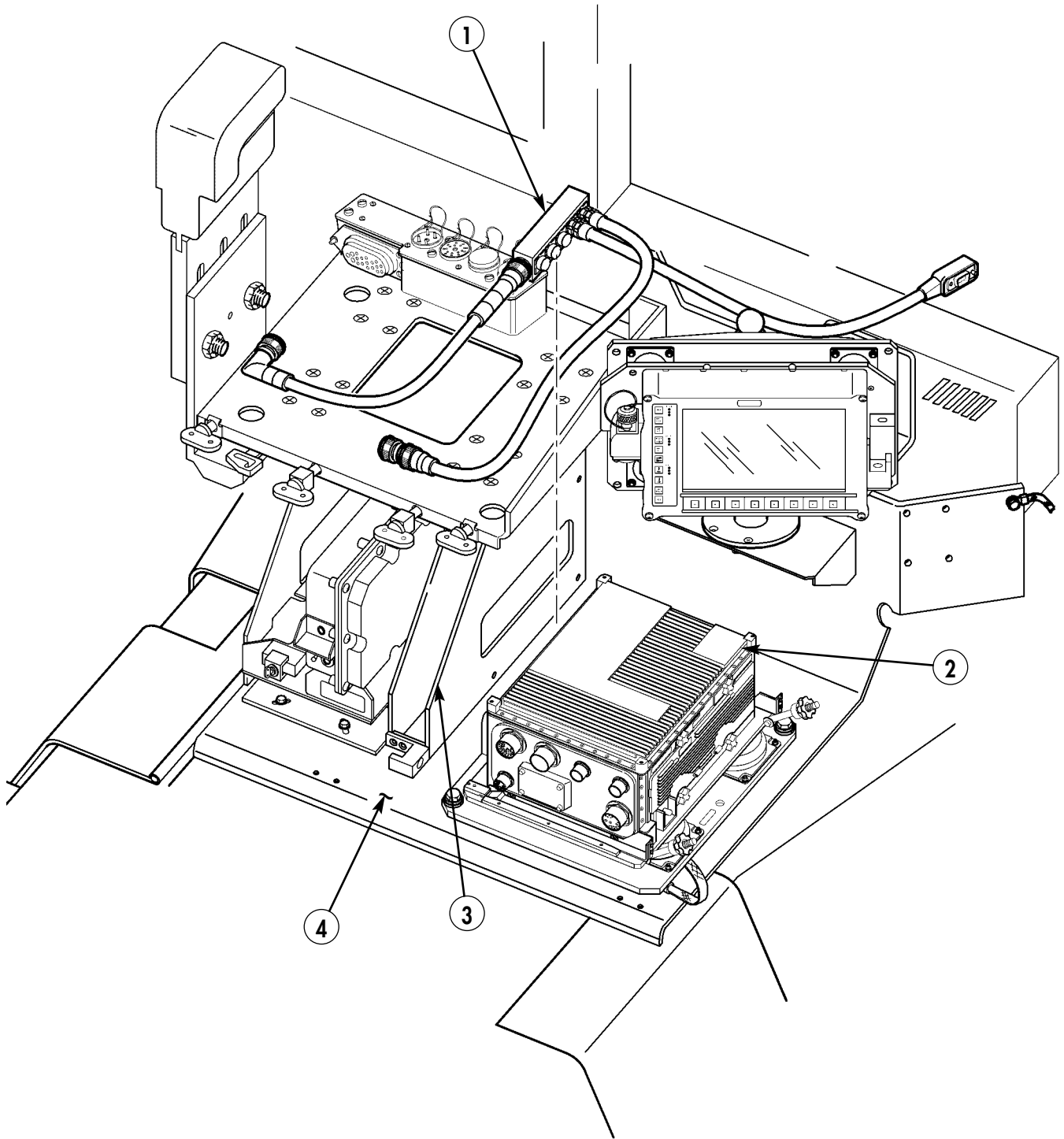
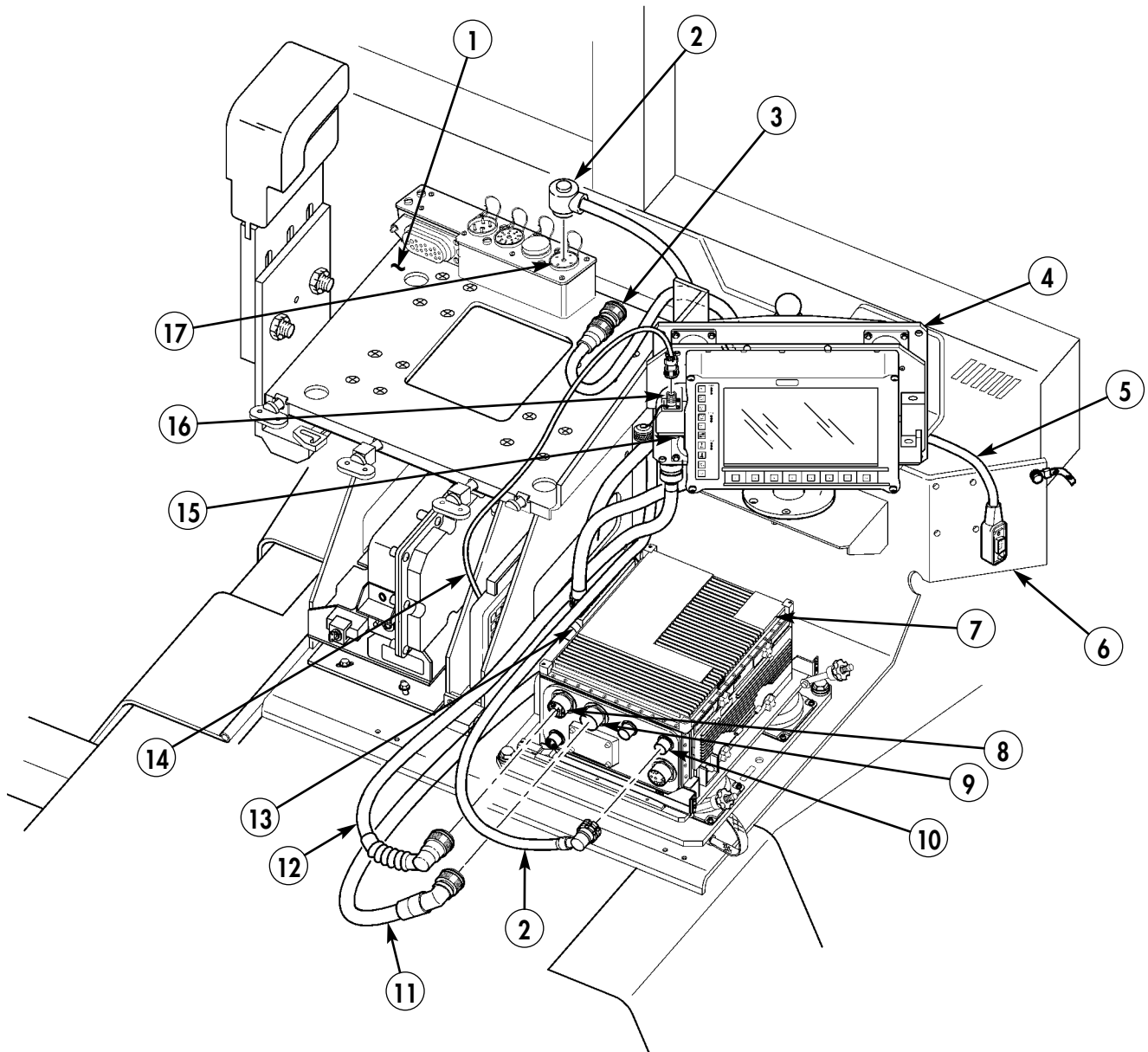


Figure 5-28.

Section XIII. FBCB2 CABLES INSTALLATION

- 13-1. Connect W3 cable (11) from SIAD (13) to J3 connector (9) on FBCB2 processor (7).
- 13-2. Route W3P cable (5) from SIAD (13) to DAGR mount (6).
- 13-3. Connect W2 cable (12) to J4 connector (8) on FBCB2 processor (7) and J1 connector (15) on FBCB2 display unit (4).
- 13-4. Connect W1 cable (2) to J1 connector (10) on FBCB2 processor (7). Route W1 cable (2) to A4J2 connector (17).
- 13-5. Connect keyboard cable (14) to J2 connector (16) on FBCB2 display unit (4).
- 13-6. Route W1J1 cable (3) to SINCGARS mount (1).



- 2. W1 CABLE - 866003-3 - QTY. 1
- 12. W2 CABLE - 881327-1 - QTY. 1

Figure 5-29.

13-7. Install Vehicular Amplifier Adapter (VAA) (18) into SINGARS mount (1).

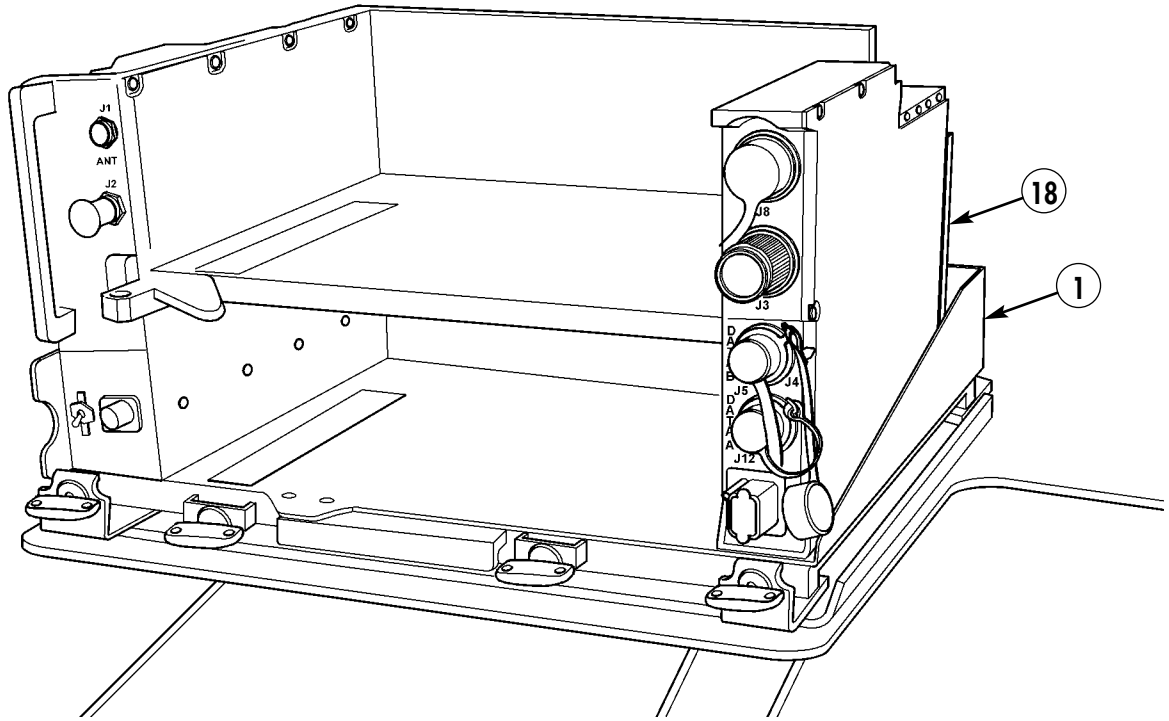


Figure 5-30.

13-8. Connect W3N cable (19) to J3 (20) connector on VAA (18).

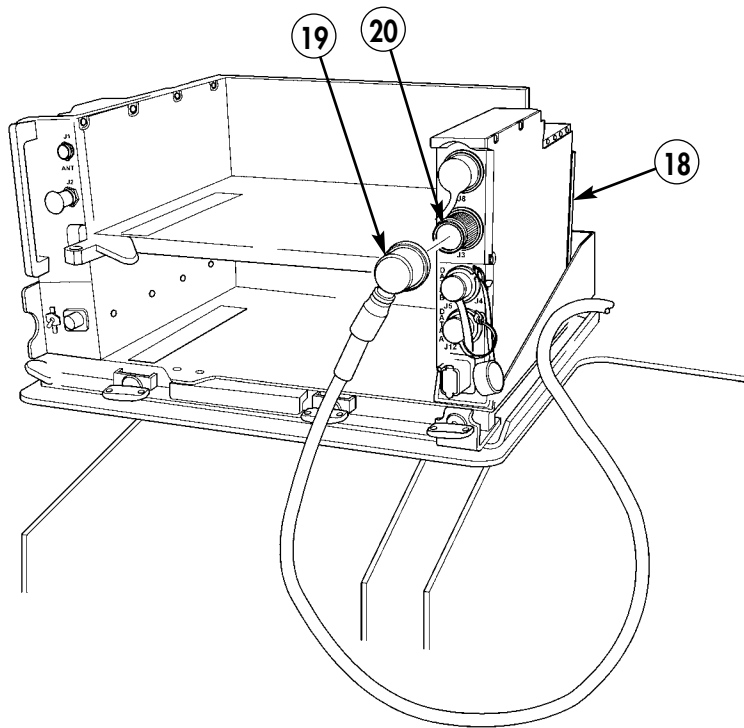


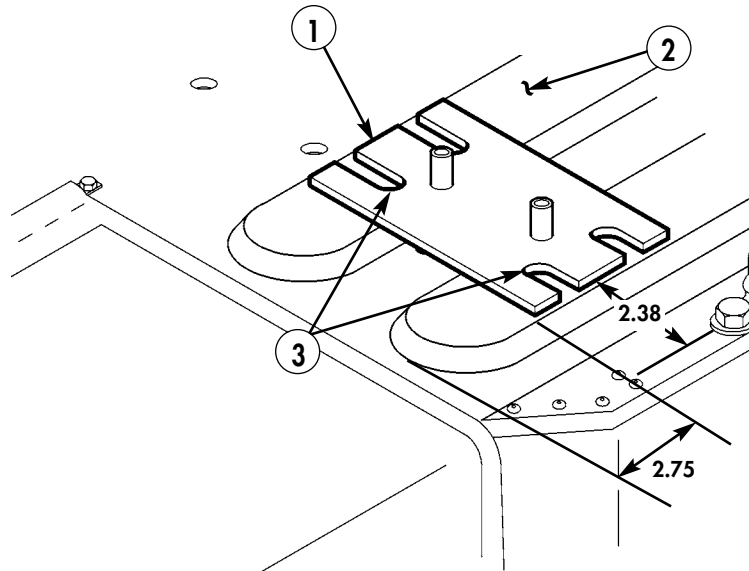
Figure 5-31.

Section XIV. LOUDSPEAKER INSTALLATION

NOTE

- Ensure all mounting holes are on the flat surface of cargo floor raised ribs.
- Perform steps 14-1 through 14-3 for left-side speaker installation.

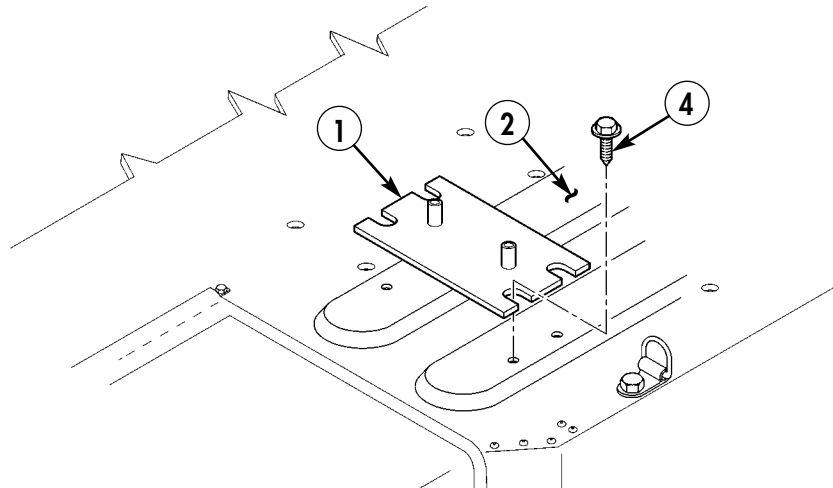
14-1. Using speaker mounting plate (1) as template, locate, mark, and drill four 0.201-in. diameter holes (3) in cargo floor (2).



1. MOUNTING PLATE – A3014550-1 – QTY. 1

Figure 5-32.

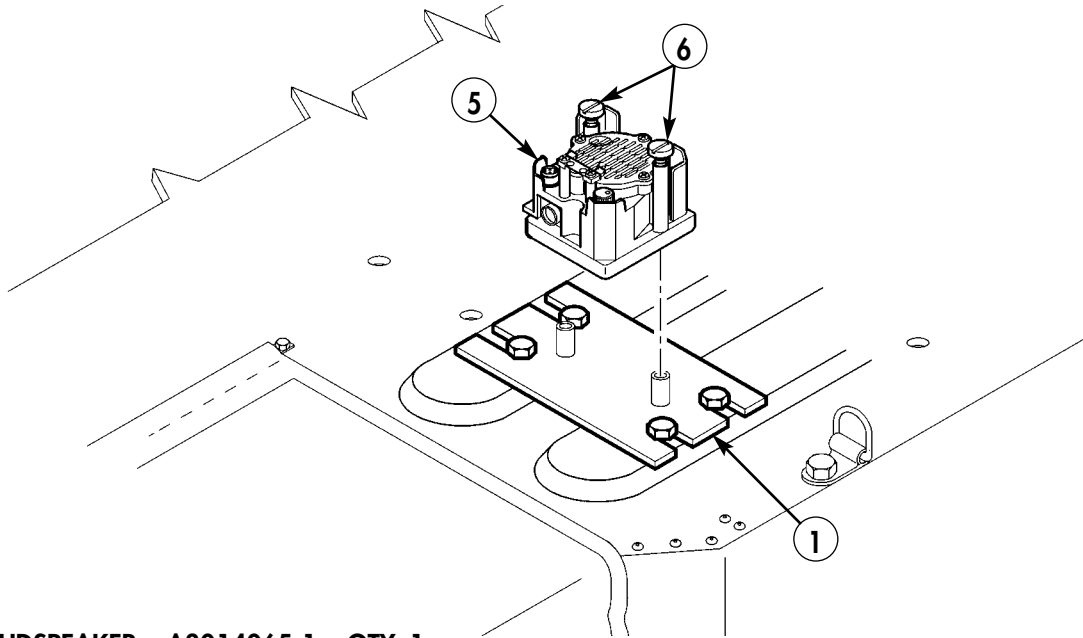
14-2. Attach speaker mounting plate (1) to cargo floor (2) with four self-tapping screws (4).



4. SELF-TAPPING SCREW – 9426241 – QTY. 4

Figure 5-33.

- 14-3. Attach loudspeaker (5) to speaker mounting plate (1) with two existing externally-relieved body screws (6).



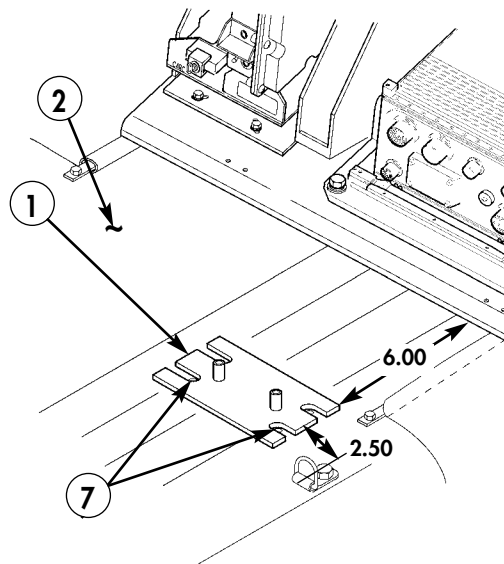
5. LOUDSPEAKER – A3014065-1 – QTY. 1

Figure 5-34.

NOTE

Perform steps 14-4 through 14-6 for right-side speaker installation.

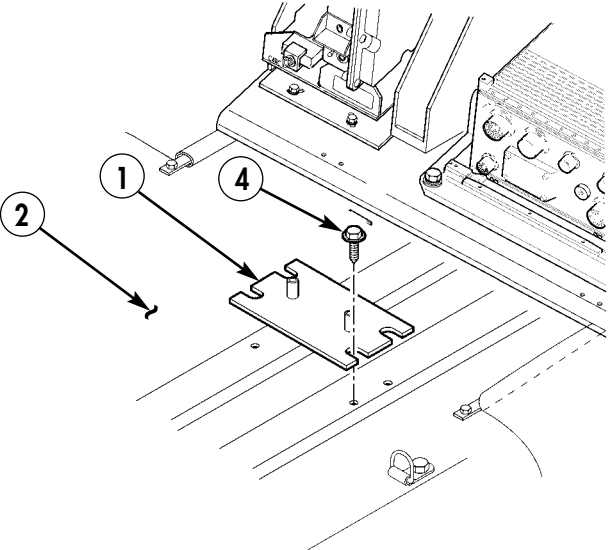
- 14-4. Using speaker mounting plate (1) as template, locate, mark, and drill four 0.201-in. diameter holes (7) in cargo floor (2).



1. MOUNTING PLATE – A3014550-1 – QTY. 1

Figure 5-35.

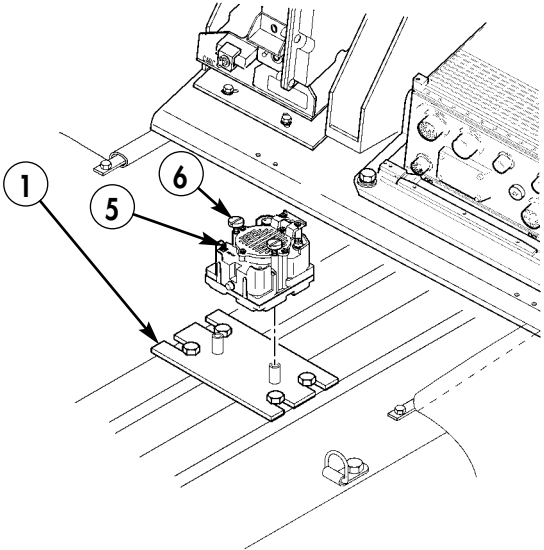
14-5. Attach speaker mounting plate (1) to cargo floor (2) with four self-tapping screws (4).



4. SELF-TAPPING SCREW – 9426241 – QTY. 4

Figure 5-36.

14-6. Attach loudspeaker (5) to speaker mounting plate (1) with two existing externally-relieved body screws (6).



5. LOUDSPEAKER – A3014065-1 – QTY. 1

Figure 5-37.

Section XV. COUPLER INSTALLATION

NOTE

Remove any rivets that will interfere with coupler installation.

- 15-1. Remove twelve rivets (1) from right rear wheelhouse (2).
- 15-2. Using coupler mounting plate (3) as template, locate, mark, and drill eight 0.281-in. diameter holes (4) in right rear wheelhouse (2). Remove paint from holes and apply anti-seize compound.

NOTE

- Because of the angle of the wheelhouse, it may be necessary to cut 1/8–1/4-in. off of spacers to fit.
- Remove any rivets that prevent spacers from sitting flush against the underside of wheelhouse.

- 15-3. Locate, mark, and drill one 1.375-in. diameter hole (5) in right rear wheelhouse (2). Deburr hole (5).
- 15-4. Install coupler mounting plate (3) on right wheelhouse (2) with three capscrews (6A), six lockwashers (8), three spacers (11), and three nuts (10).
- 15-5. Secure coupler mounting plate (3) to right wheelhouse (2) with three capscrews (7), six lockwashers (8), three spacers (11), and three nuts (10).
- 15-6. Secure coupler mounting plate (3) to right wheelhouse with capscrew (12), ground strap (9), five lockwashers (8), spacer (11), and nut (10).
- 15-7. Secure coupler mounting plate (3) to right wheelhouse with capscrew (6B), three lockwashers (8), ground strap (9), spacer (11), and nut (10).
- 15-8. Install resilient mount (15) on coupler mounting plate (3) with six lockwashers (14) and nuts (13).

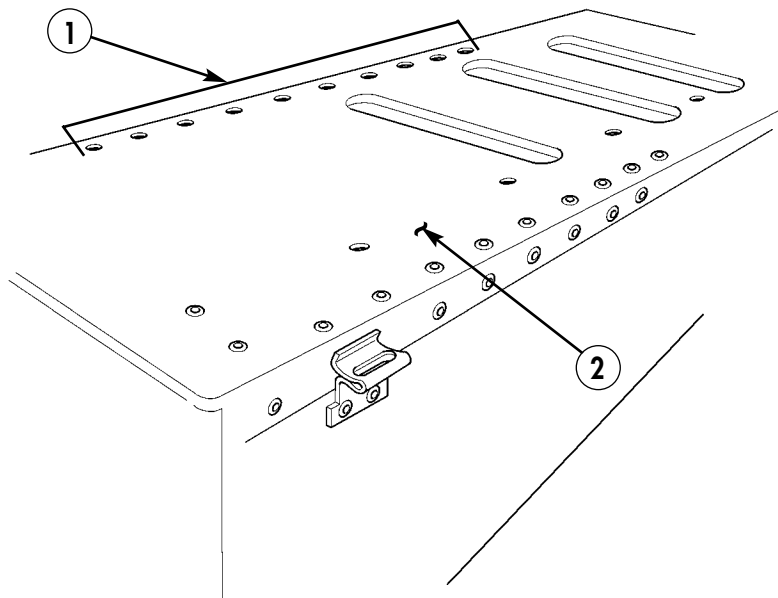
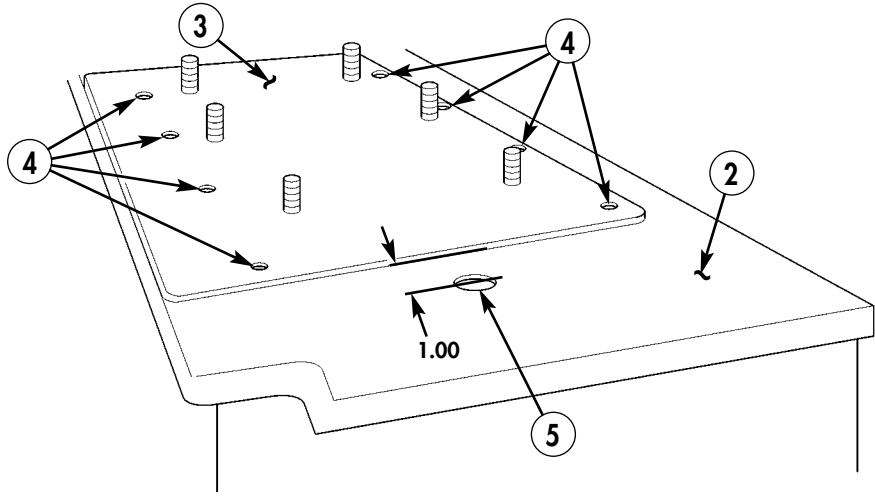
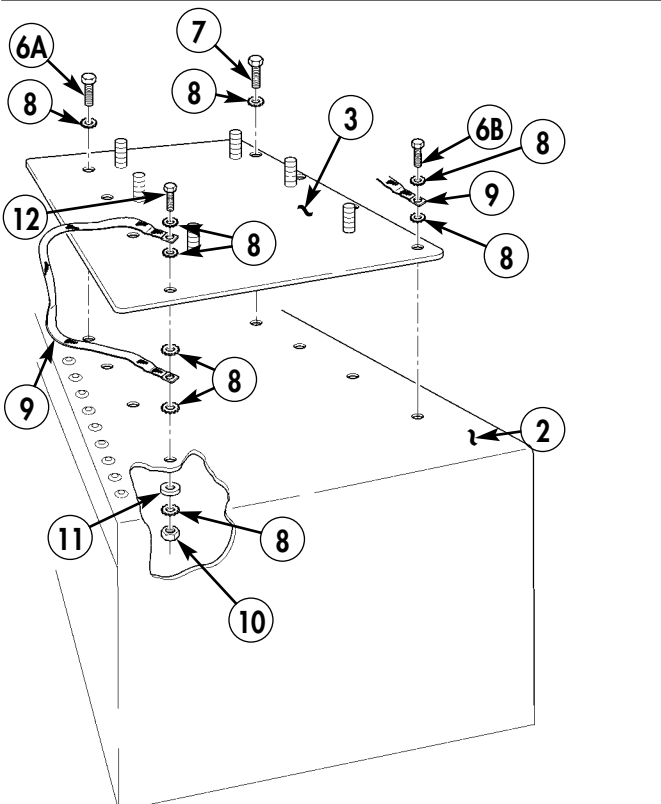


Figure 5-38.



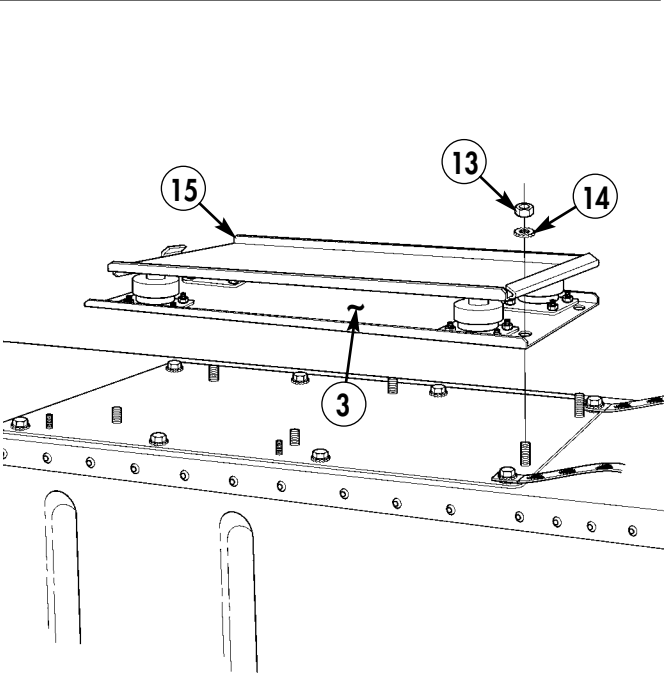
3. COUPLER MOUNTING PLATE - 11080-0511-02 - QTY. 1

Figure 5-39.



- 6. CAPSCREW - B1821BH025C113N - QTY. 4
- 7. CAPSCREW - B1821BH025C100N - QTY. 3
- 8. LOCKWASHER - MS45904-71 - QTY. 20
- 9. GROUND STRAP - 7147-1167-3 - QTY. 2
- 10. NUT - 9419143 - QTY. 8
- 11. SPACER - 10181-5214-01 - QTY. 8
- 12. CAPSCREW - B1821BH025C125N - QTY. 1

Figure 5-40.



- 13. NUT - MS51971-3 - QTY. 6
- 14. LOCKWASHER - MS35338-141 - QTY. 6
- 15. RESILIENT MOUNT - P/O 11080-0511-02 - QTY. 1

Figure 5-41.

NOTE

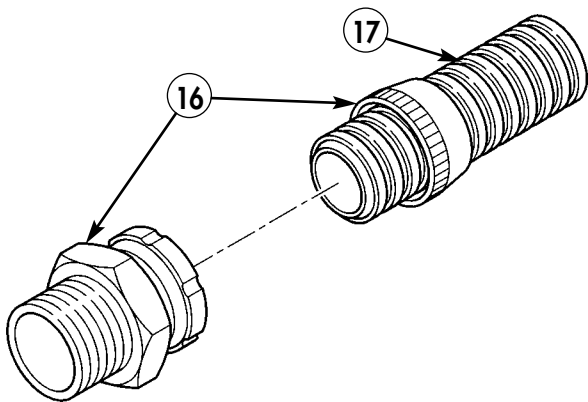
Ensure convoluted tubing is cut straight and even to allow proper fit of locking collar.

- 15-9. Install locking collar (16) on one end of convoluted tubing (17).
- 15-10. Place convoluted tubing and grommet assembly (17) in hole (18) in right wheelhouse (2), through wheelhouse (2), and through hole (5) in right wheelhouse (1). Mark convoluted tubing (17) at proper length.
- 15-11. Remove convoluted tubing (17) from wheelhouse (2) and cut to proper length.

NOTE

Ensure convoluted tubing is cut straight and even to allow proper fit of locking collar.

- 15-12. Install locking collar (16) on other end of convoluted tubing (17).
- 15-13. Place convoluted tubing and grommet assembly (17) in hole (5) in top of right wheelhouse (2), through wheelhouse (2), and through hole in rear wall (18). Secure convoluted tubing (17) to rear wall (18) with nylon nuts (19).



- 16. LOCKING COLLAR - Z52-0013-002 - QTY. 2
- 17. CONVOLUTED TUBING - Z52-0013-001 - QTY. 1

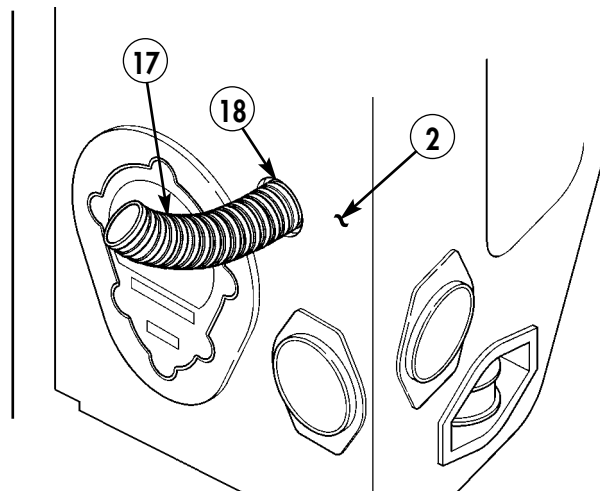
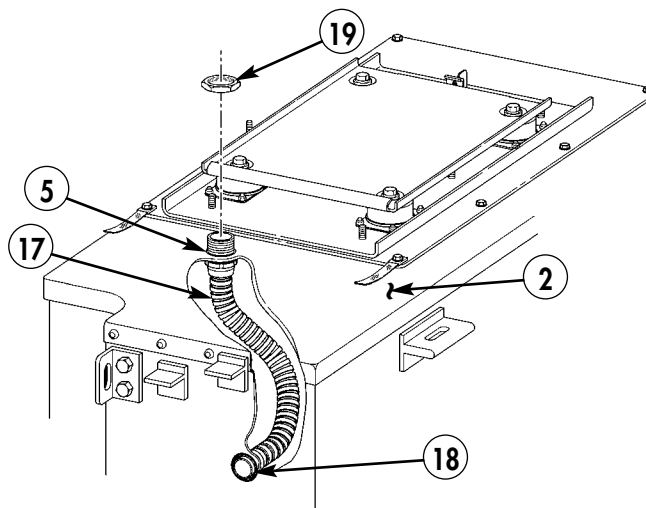


Figure 5-42.



- 19. NYLON NUT - 10075-1397 - QTY. 2

Figure 5-43.

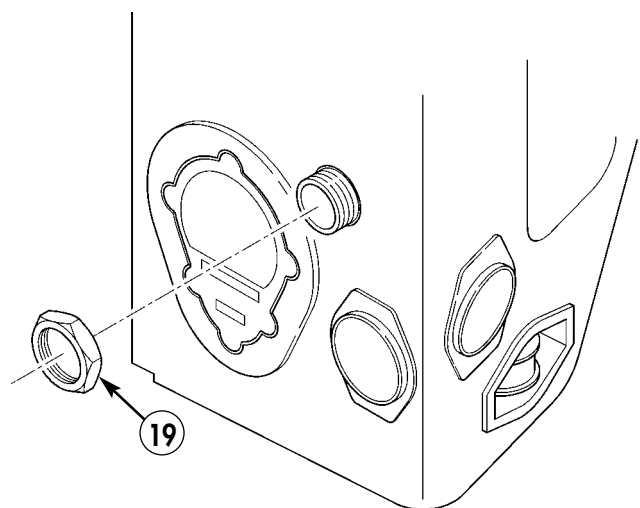
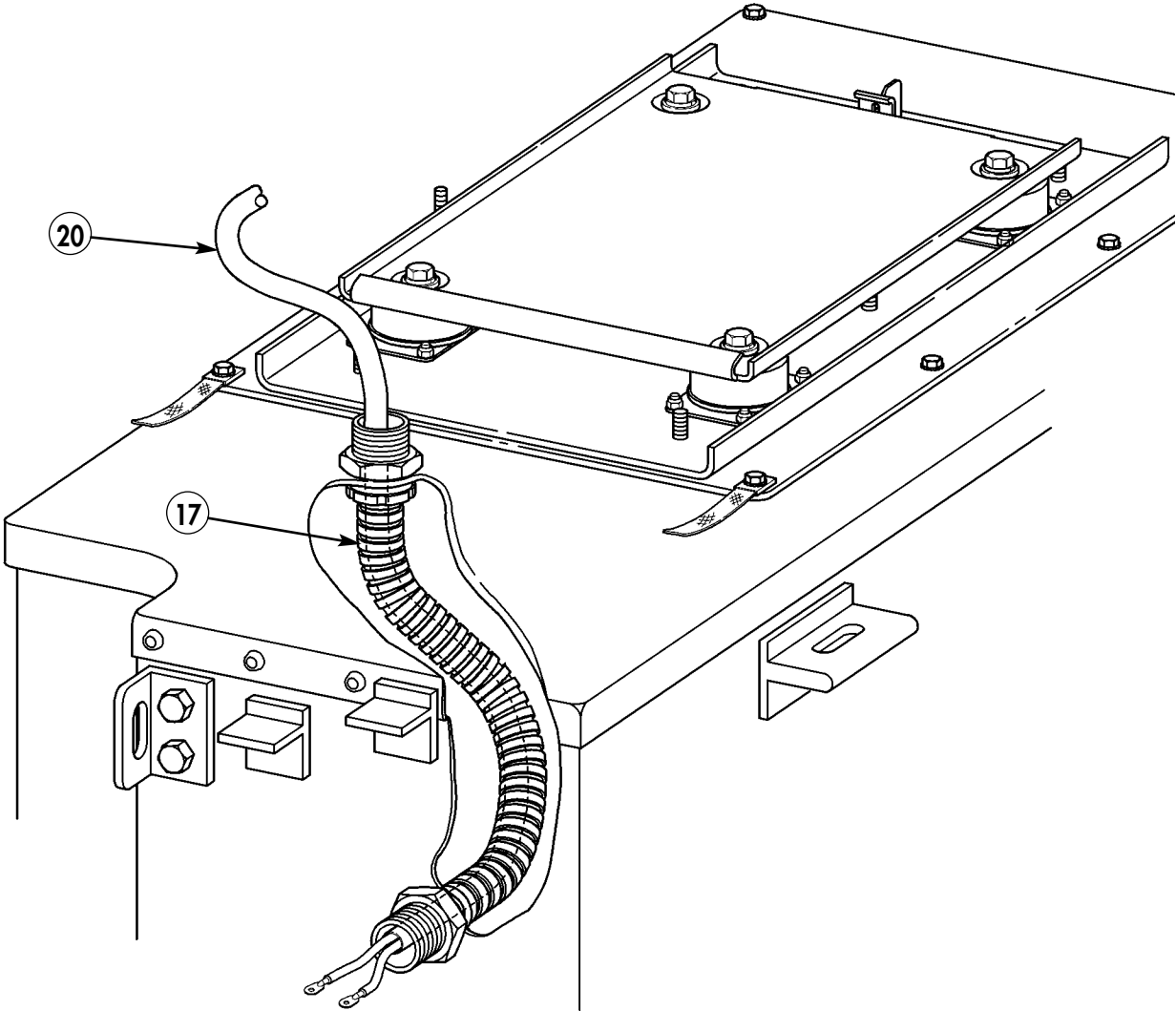


Figure 5-44.

15-14. Route antenna cable (20) through convoluted tubing (17).



20. HF ANTENNA CABLE – 10564-3355-A004 – QTY. 1

Figure 5-45.

Section XVI. ANTENNA BRACKET AND ANTENNA INSTALLATION

NOTE

Do not tighten screws at this time.

- 16-1. Attach antenna mount (5) to rear wall of right rear wheelhouse (3) with three capscrews (6), six lockwashers (2), three aluminum spacers (4), and nuts (1).
- 16-2. Temporarily install support bar (7) on antenna mounting bracket (5).
- 16-3. Using support bar (7) as template, locate and mark two hole locations (8). Remove support bar (7).
- 16-4. Drill two 0.281-in. diameter holes (8) in right rear wheelhouse (3).

NOTE

Do not tighten bolts at this time.

- 16-5. Attach support bar (7) to antenna support bracket with two capscrews (13), lockwashers (10), and washers (11).

NOTE

Do not tighten capscrews at this time.

- 16-6. Attach support bar (7) to right rear wheelhouse (3) with two capscrews (12), two washers (11), spacers (4), lockwashers (10), and nuts (9).
- 16-7. Tighten top two capscrews (6) securing antenna mounting bracket (5) to right rear wheelhouse (3).
- 16-8. Tighten two capscrews (13) securing support bar (7) to antenna mounting bracket (5).
- 16-9. Tighten two capscrews (12) securing support bar (7) to right rear wheelhouse (3).

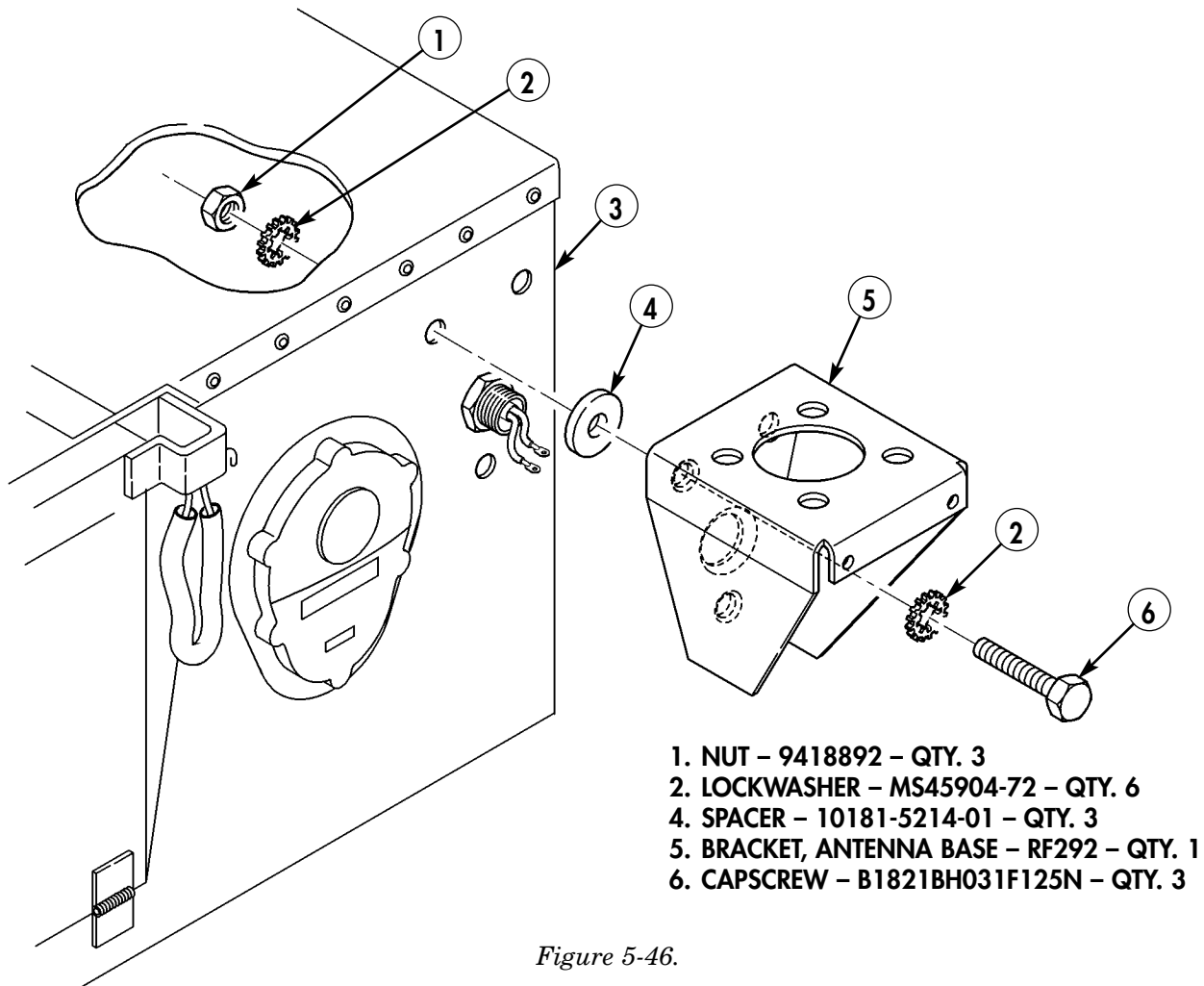


Figure 5-46.

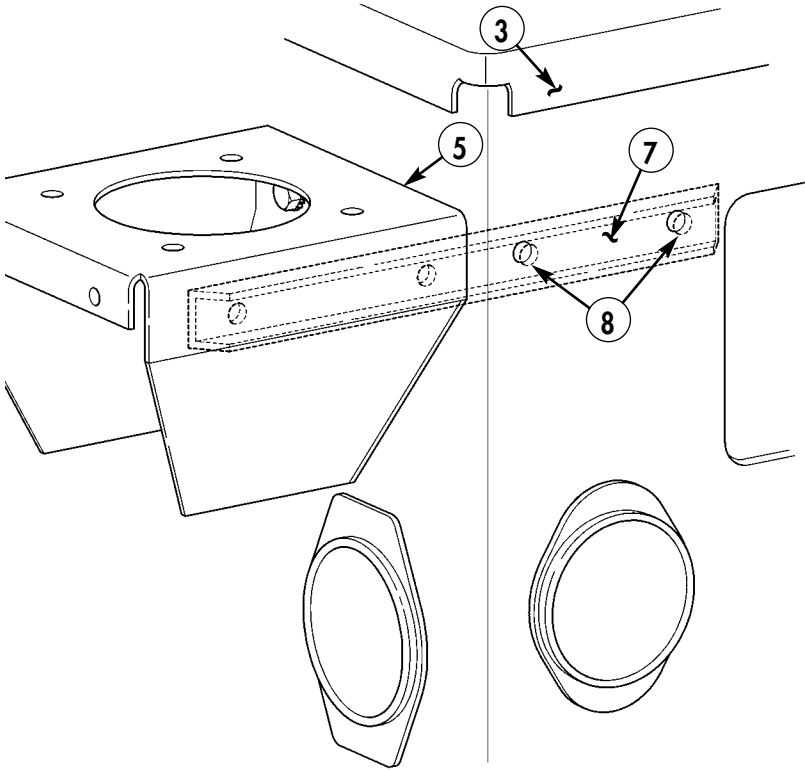
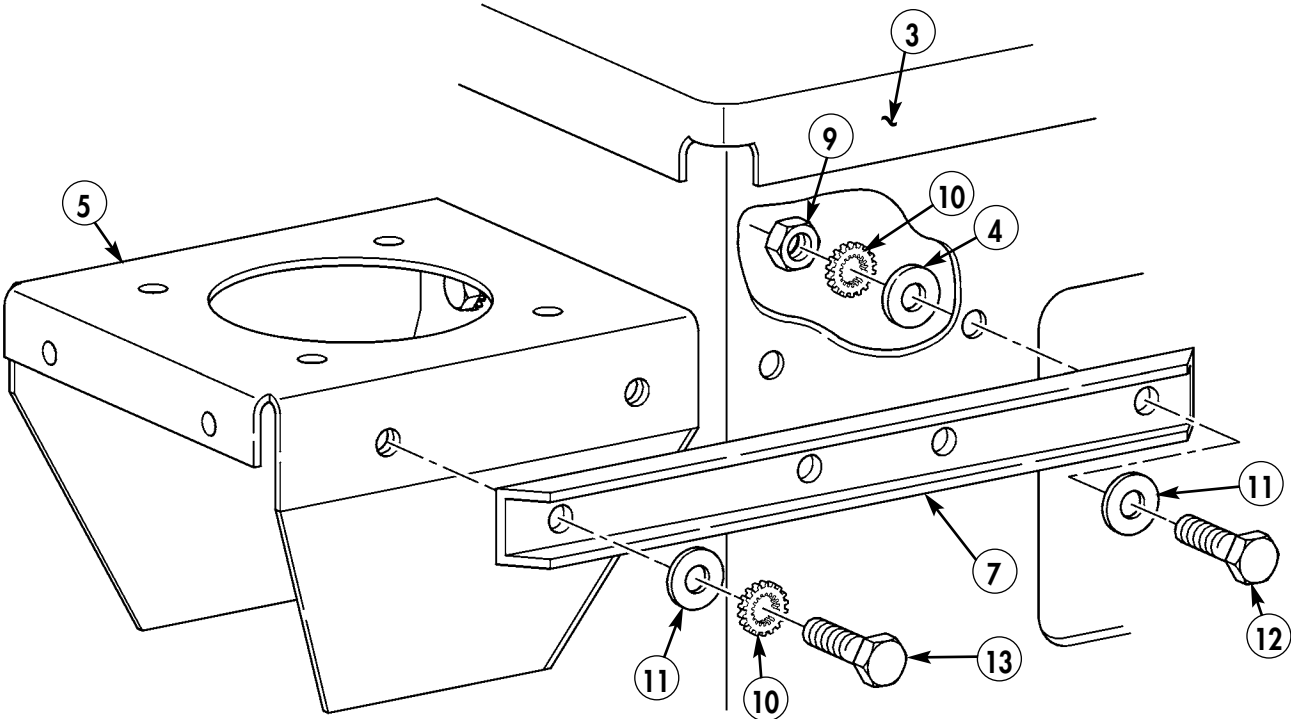


Figure 5-47.

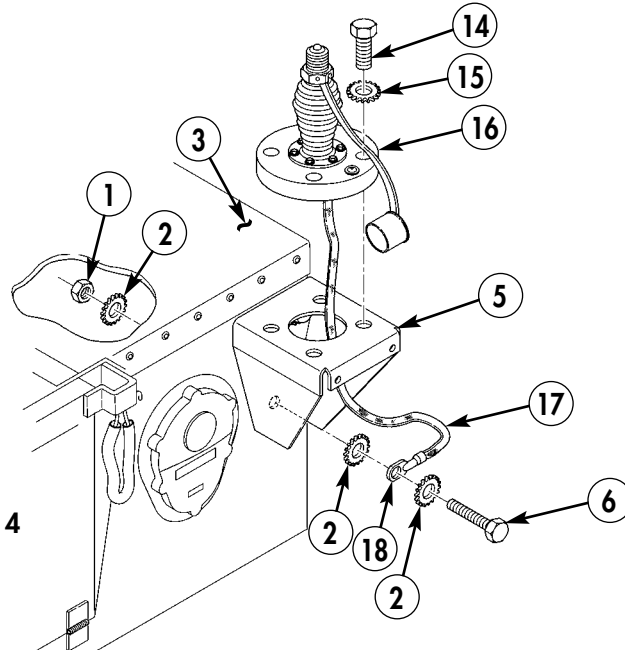


- 4. SPACER - 10181-5214-01 - QTY. 2
- 7. BAR, SUPPORT - 10181-5213-002 - QTY. 1
- 9. NUT - 9419143 - QTY. 2
- 10. LOCKWASHER - MS45904-72 - QTY. 4

- 11. WASHER - MS27183-10 - QTY. 6
- 12. CAPSCREW - B1821BH025C100N - QTY. 2
- 13. CAPSCREW - B1821BH025C088N - QTY. 2

Figure 5-48.

- 16-10. Secure ground strap (17) to antenna base (16) and position antenna base (16) on antenna mounting bracket (5).
- 16-11. Install terminal lug (18) on ground strap (17).
- 16-12. Remove bottom capscrew (6) and three lockwashers (2) from antenna mounting bracket (5). Secure antenna ground strap (17) to right rear wheelhouse (3) and antenna mounting bracket (5) with existing capscrew (6), three lockwashers (2), and nut (1).
- 16-13. Install antenna base (16) on antenna mounting bracket (5) with four capscrews (14) and four lockwashers (15).



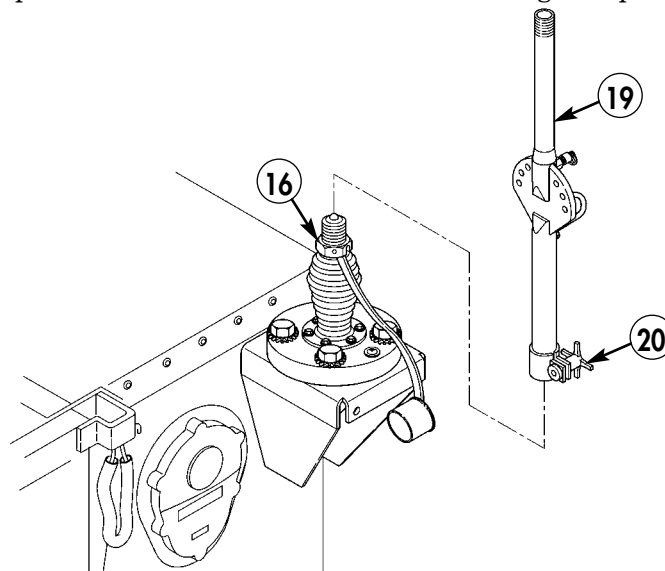
- 2. LOCKWASHER – MS45904-72 – QTY. 1
- 14. CAPSCREW – B1821BH038F175N – QTY. 4
- 15. LOCKWASHER – MS45904-76 – QTY. 4
- 16. ANTENNA – 4245 – QTY. 1
- 18. TERMINAL LUG – MS20659-108 – QTY. 1

Figure 5-49.

NOTE

Ensure antenna adapter tilts fore and aft of vehicle after tightening.

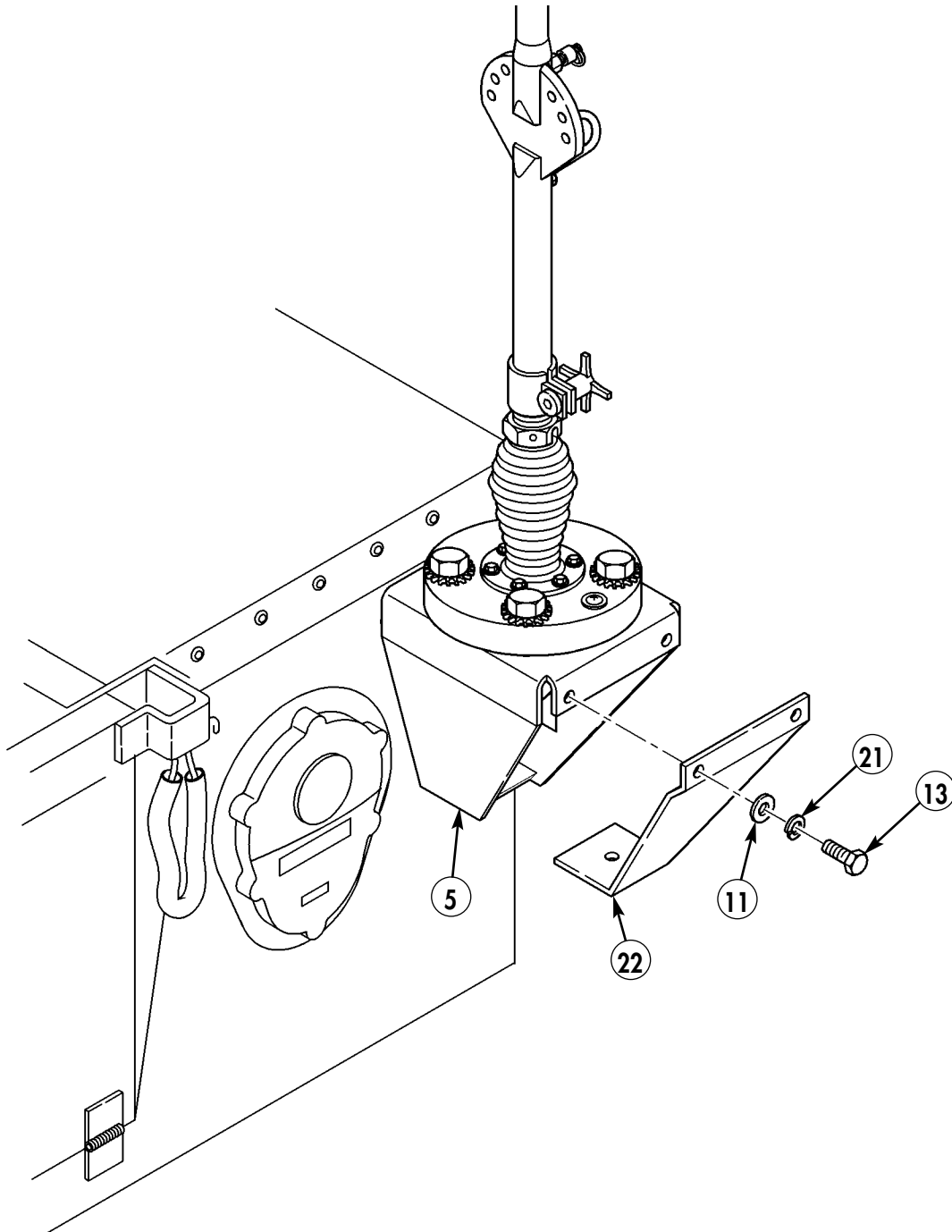
- 16-14. Install antenna adapter (19) on antenna base (16) by screwing on until tight.
- 16-15. Secure antenna adapter (19) to antenna base (16) with existing clamp (20).



- 19. ANTENNA ADAPTER – RF-1980-AT001 – QTY. 1

Figure 5-50.

- 16-16.** Install cover plate (22) on antenna mounting bracket (5) with three screws (13), washers (11), and lockwashers (21).
- 16-17.** Spot-paint right rear wheelhouse where rivets were removed.



- 11. WASHER – MS27183-10 – QTY. 3**
13. CAPSCREW – B1821BH025C088N – QTY. 3
21. LOCKWASHER – MS35338-44 – QTY. 3
22. COVER, ANTENNA BRACKET – 1018-5212-02 – QTY. 1

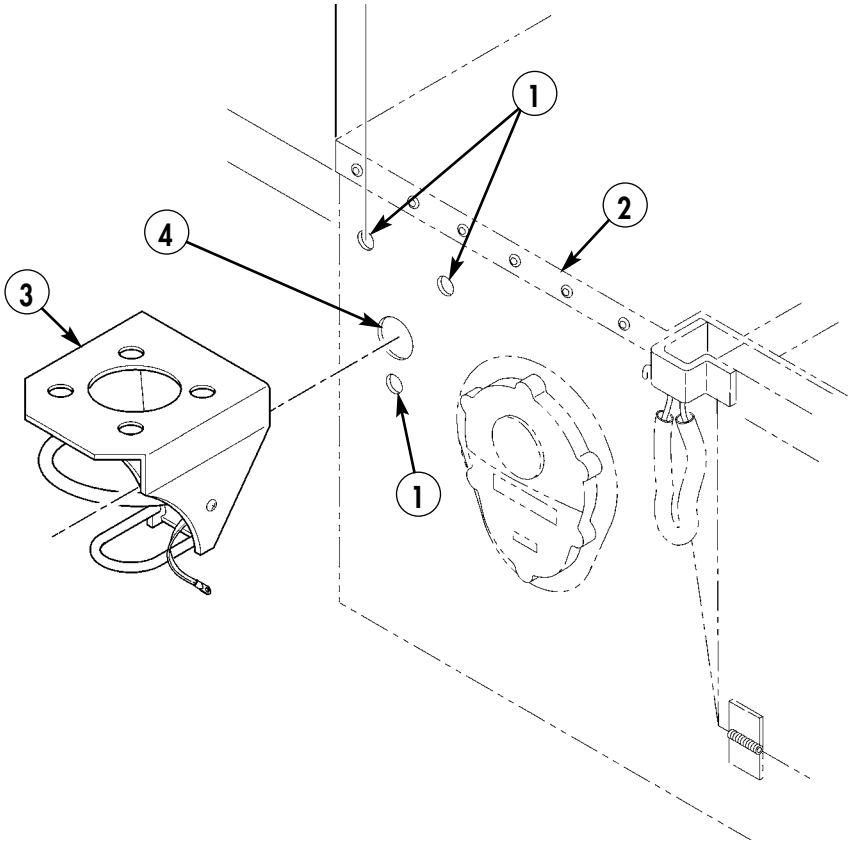
Figure 5-51.

Section XVII. REAR SINGARS ANTENNA INSTALLATION

NOTE

This procedure applies to vehicles without existing antennas. For vehicles with existing antennas, remove all control cables. (Refer to TM 9-2320-280-20.)

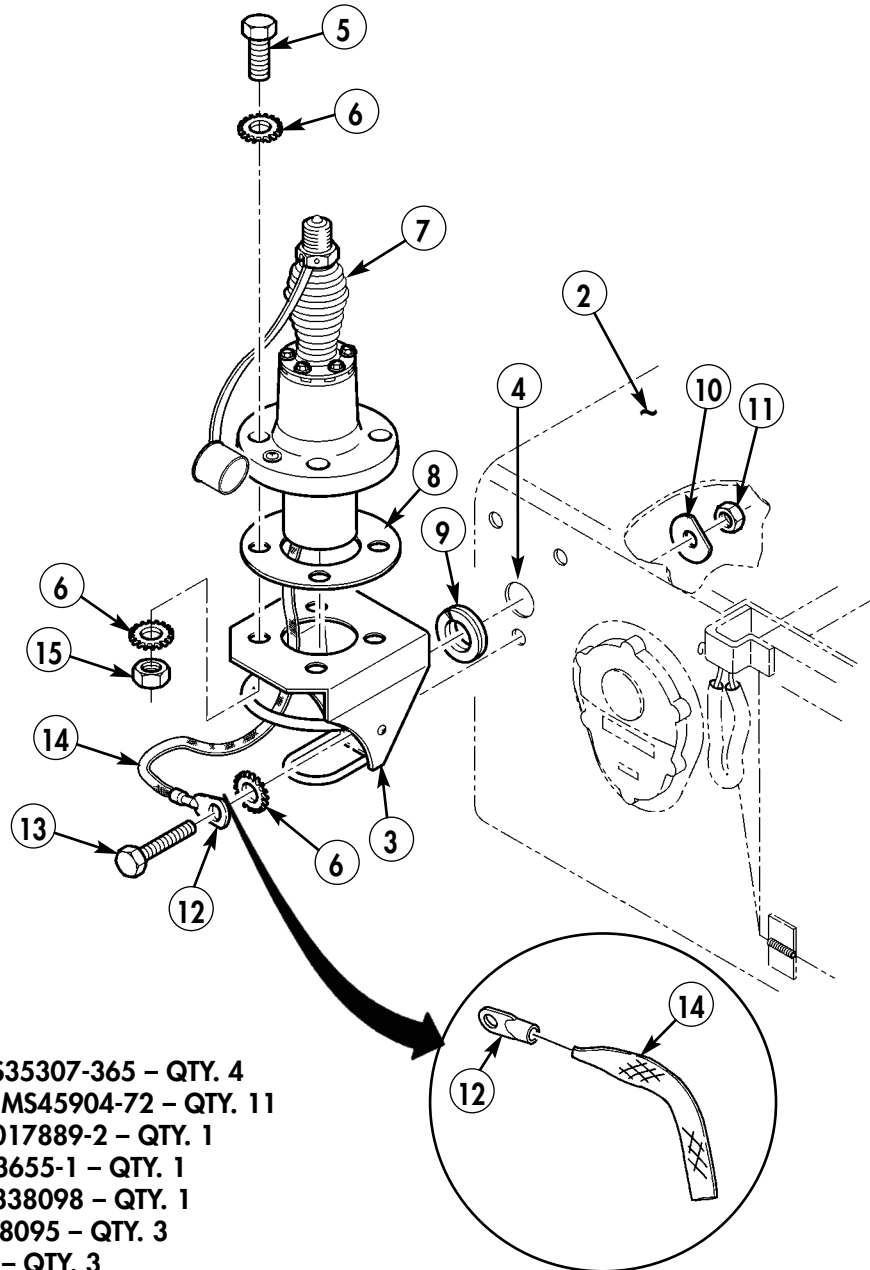
- 17-1. Using antenna mounting bracket (3) as template, locate, mark, and drill one 1.375-in. diameter hole (4) in left rear wall (2).
- 17-2. Locate, mark, and drill three 0.343-in. diameter holes (1) in rear wall (2).
- 17-3. Remove paint from vicinity of three holes (1) and three matching holes in antenna mounting bracket (3).
- 17-4. Apply anti-seize compound to vicinity of three holes (1) and rear of antenna mounting bracket (3).



3. ANTENNA MOUNTING BRACKET – A3014546-1 – QTY. 1

Figure 5-52.

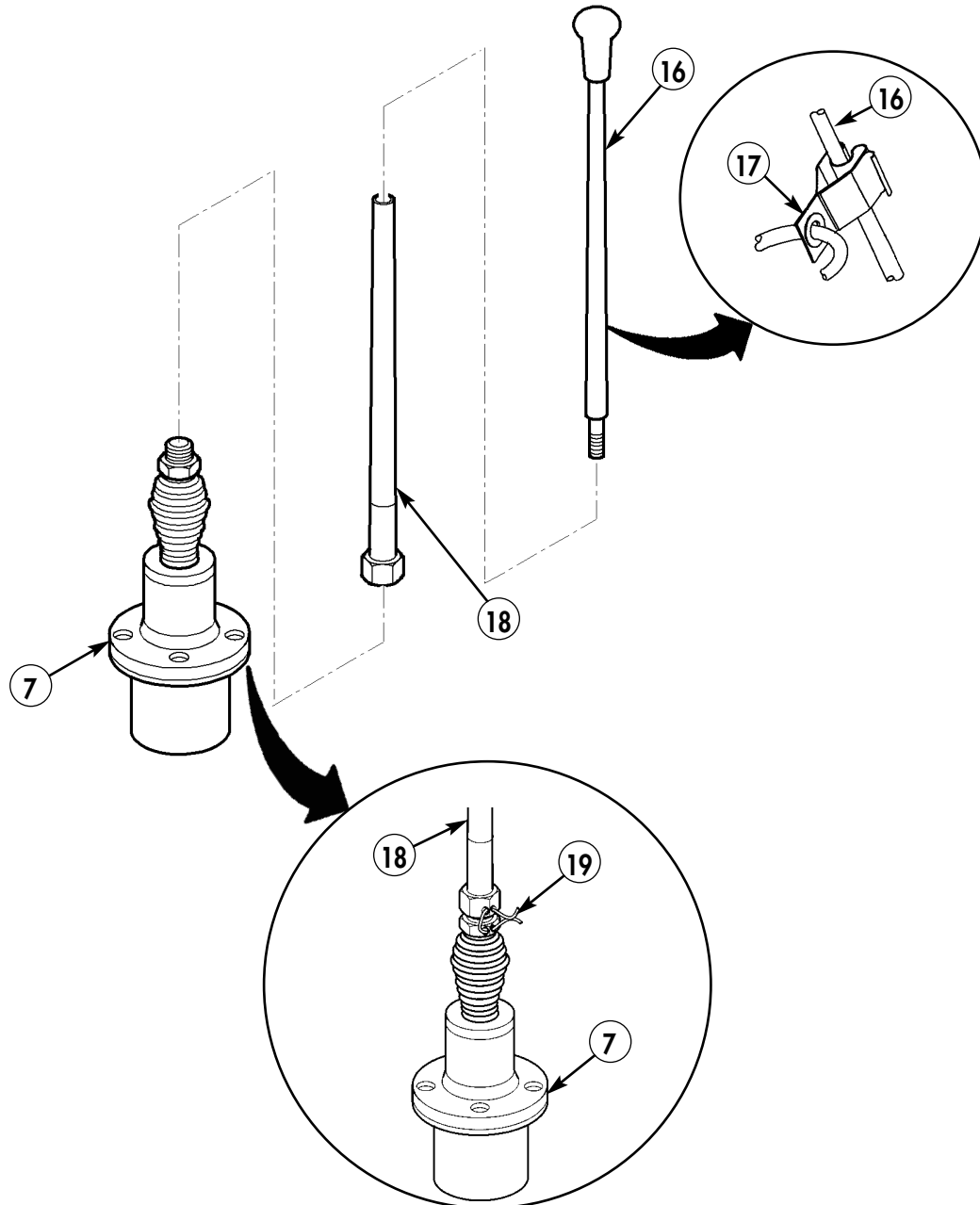
- 17-5. Install grommet (9) in hole (4) in rear wall (2).
- 17-6. Position antenna (7) and gasket (8) on antenna mounting bracket (3) and route existing ground strap (14) through antenna mounting bracket (3).
- 17-7. Install antenna (7) on antenna mounting bracket (3) with four capscrews (5), eight lockwashers (6), and four nuts (15).
- 17-8. Install antenna mounting bracket (3) on rear wall (2) with two capscrews (13), lockwashers (6), washers (10), and nuts (11).
- 17-9. Remove old terminal lug and install new terminal lug (12) on ground strap (14). Install ground strap (14) and antenna mounting bracket (3) on rear wall (2) with capscrew (13), lockwasher (6), washer (10), and nut (11).



- 5. CAPSCREW – MS35307-365 – QTY. 4
- 6. LOCKWASHER – MS45904-72 – QTY. 11
- 7. ANTENNA – A3017889-2 – QTY. 1
- 8. GASKET – A3013655-1 – QTY. 1
- 9. GROMMET – 12338098 – QTY. 1
- 10. WASHER – 12338095 – QTY. 3
- 11. NUT – 9418892 – QTY. 3
- 12. TERMINAL LUG – MS20659-108 – QTY. 1
- 13. CAPSCREW – B1821BH031F125N – QTY. 3
- 15. NUT – 13218E0320-293 – QTY. 4

Figure 5-53.

- 17-10. Attach upper antenna element (16) to lower antenna element (18).
- 17-11. Attach antenna assembly to antenna base (7).
- 17-12. Attach fiber rope assembly (17) to upper antenna element (16).
- 17-13. Secure lower antenna element (18) to antenna base (7) with lockwire (19).



- 16. UPPER ANTENNA ELEMENT – A3017901-2 – QTY. 1
- 17. FIBER ROPE ASSEMBLY – A3167672-1 – QTY. 1
- 18. LOWER ANTENNA ELEMENT – A3018230-1 – QTY. 1
- 19. LOCKWIRE – MS20995C32 – QTY. A/R

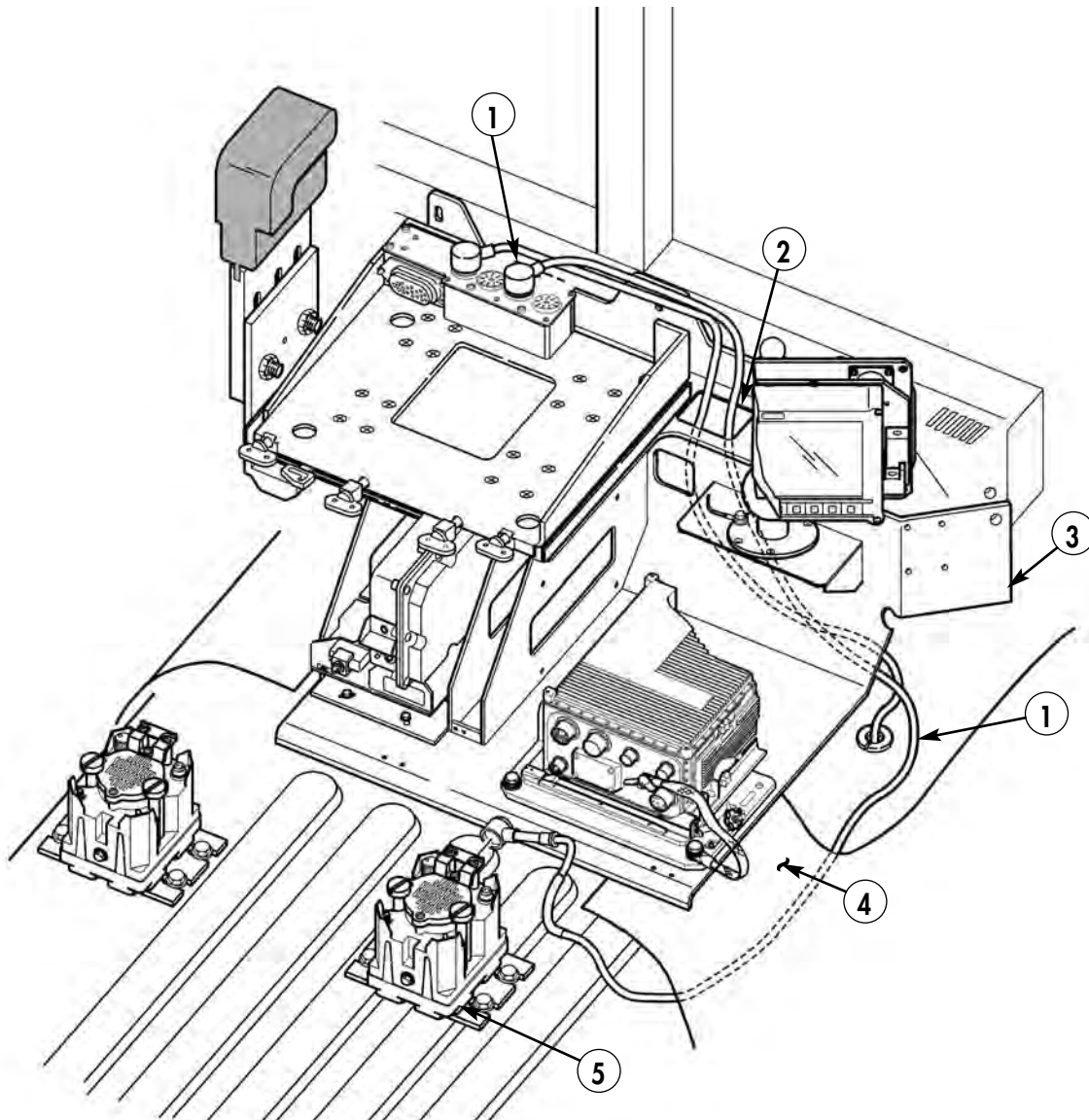
Figure 5-54.

Section XVIII. CABLES INSTALLATION

NOTE

- This procedure applies to vehicles without existing antennas. For vehicles with existing antennas, remove all control cables. (Refer to TM 9-2320-280-20.)
- Loosen left- and right-side tunnel insulation before performing steps 18-1, 18-3, 18-4, and 18-8. (Refer to TM 9-2320-280-20.)
- SINCGARS model AN/VRC-92F shown.

18-1. Route loudspeaker cable (1) down through center access hole (2), under integrated rack (3), and under right-side tunnel insulation (4) towards right speaker (5). Connect loudspeaker cable (1) to right speaker (5). Coil excess loudspeaker cable (1) and store under integrated rack (3).



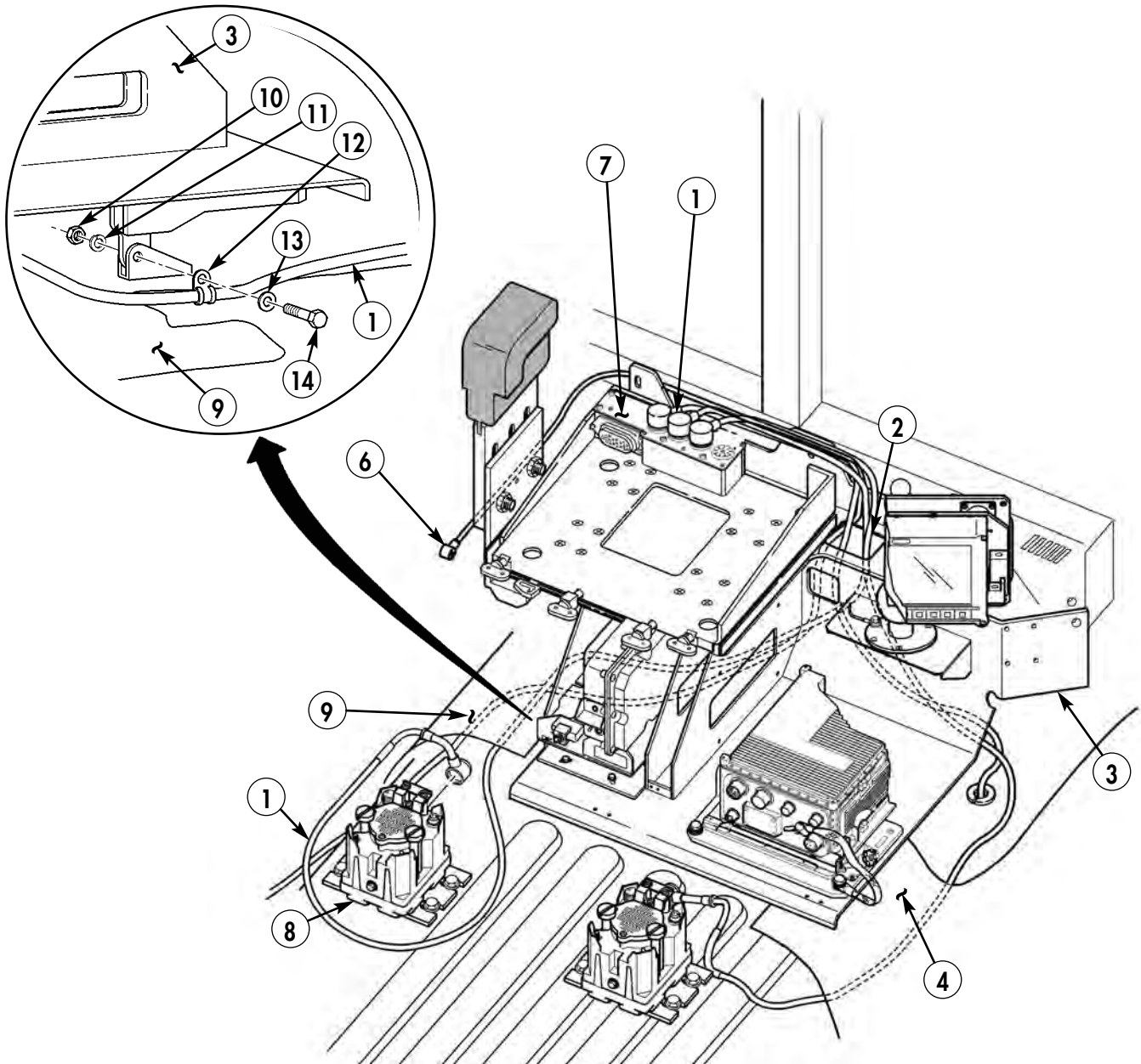
1. LOUDSPEAKER CABLE — A3014038-3 — QTY. 1

Figure 5-55.

NOTE

SINCGARS model AN/VRC-92F shown.

- 18-2.** Route loudspeaker cable (1) down through center access hole (2), under integrated rack (3), and under left-side tunnel insulation (9) towards left speaker (8). Connect loudspeaker cable (1) to left speaker (8).
- 18-3.** Secure loudspeaker cable (1) to integrated rack (3) with loop clamp (12), existing screw (14), washer (13), lockwasher (11), and nut (10). Do not tighten nut (10) at this time. Coil excess loudspeaker cable (1) and store under integrated rack (3).
- 18-4.** Route antenna cable (6) from left side of mounting base (7), down through center access hole (2), under integrated rack (3), and under right-side tunnel insulation (4) to B-beam.



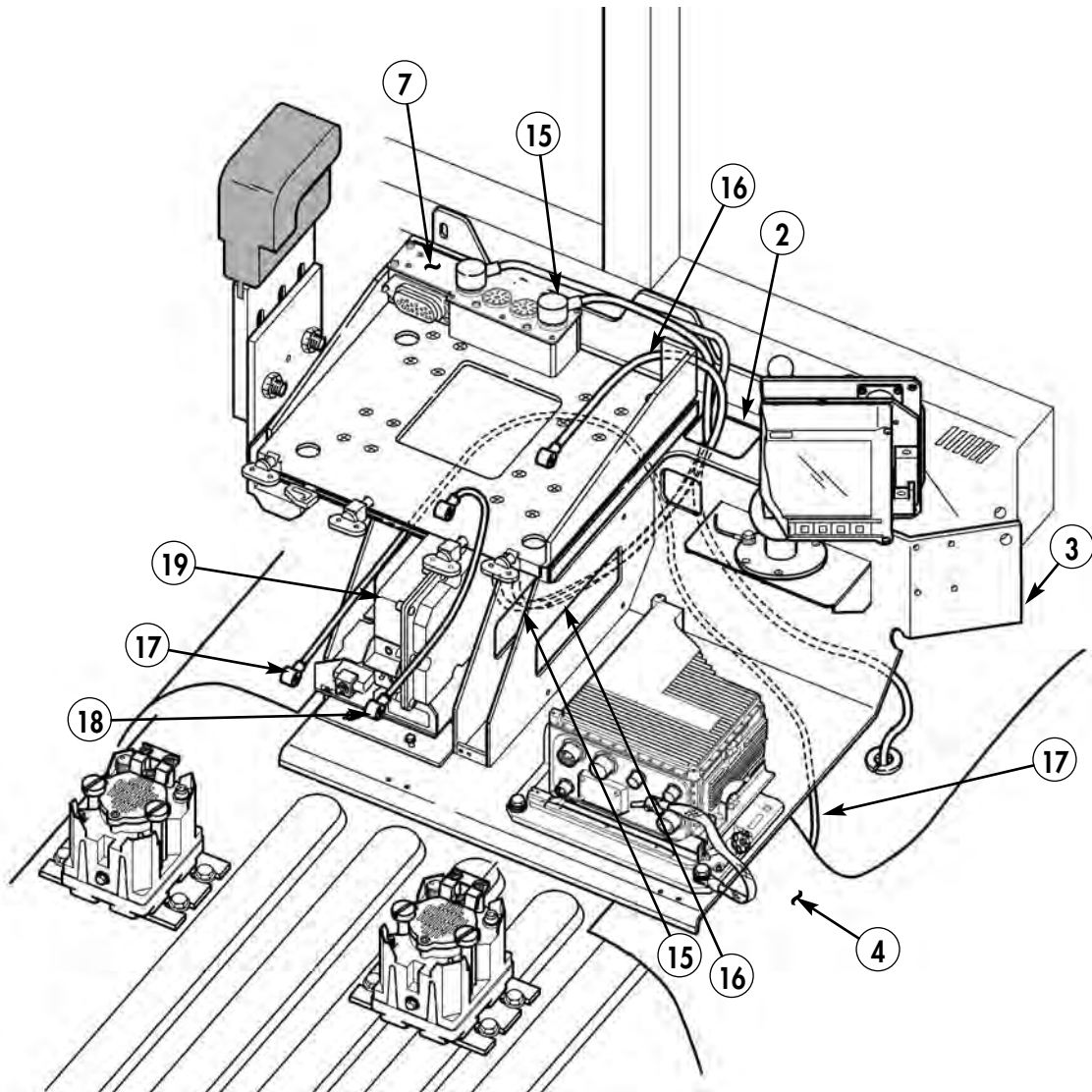
1. LOUDSPEAKER CABLE – A3014038-3 – QTY. 1
 6. ANTENNA CABLE – A3014031-8 – QTY. 1
 12. LOOP CLAMP – MS21333-121 – QTY. 1

Figure 5-56.

NOTE

- Perform steps 18-5 through 18-8 for vehicles with SINCGARS model AN/VRC-92F only.
- Previously routed cables have been removed from figure 5-57 for clarity.

- 18-5. Route antenna cable (18) from mounting base (7) to MT-6353/VRC mounting base (19).
- 18-6. Route power amp cable (15) from MT-6353/VRC mounting base (19) up through center access hole (2) and connect to mounting base (7).
- 18-7. Route control cable (16) from MT-6353/VRC mounting base (19) up through center access hole (2) to mounting base (7).
- 18-8. Route antenna cable (17) from front of MT-6353/VRC mounting base (19), under integrated rack (3), and under right-side tunnel insulation (4) towards rear of vehicle.



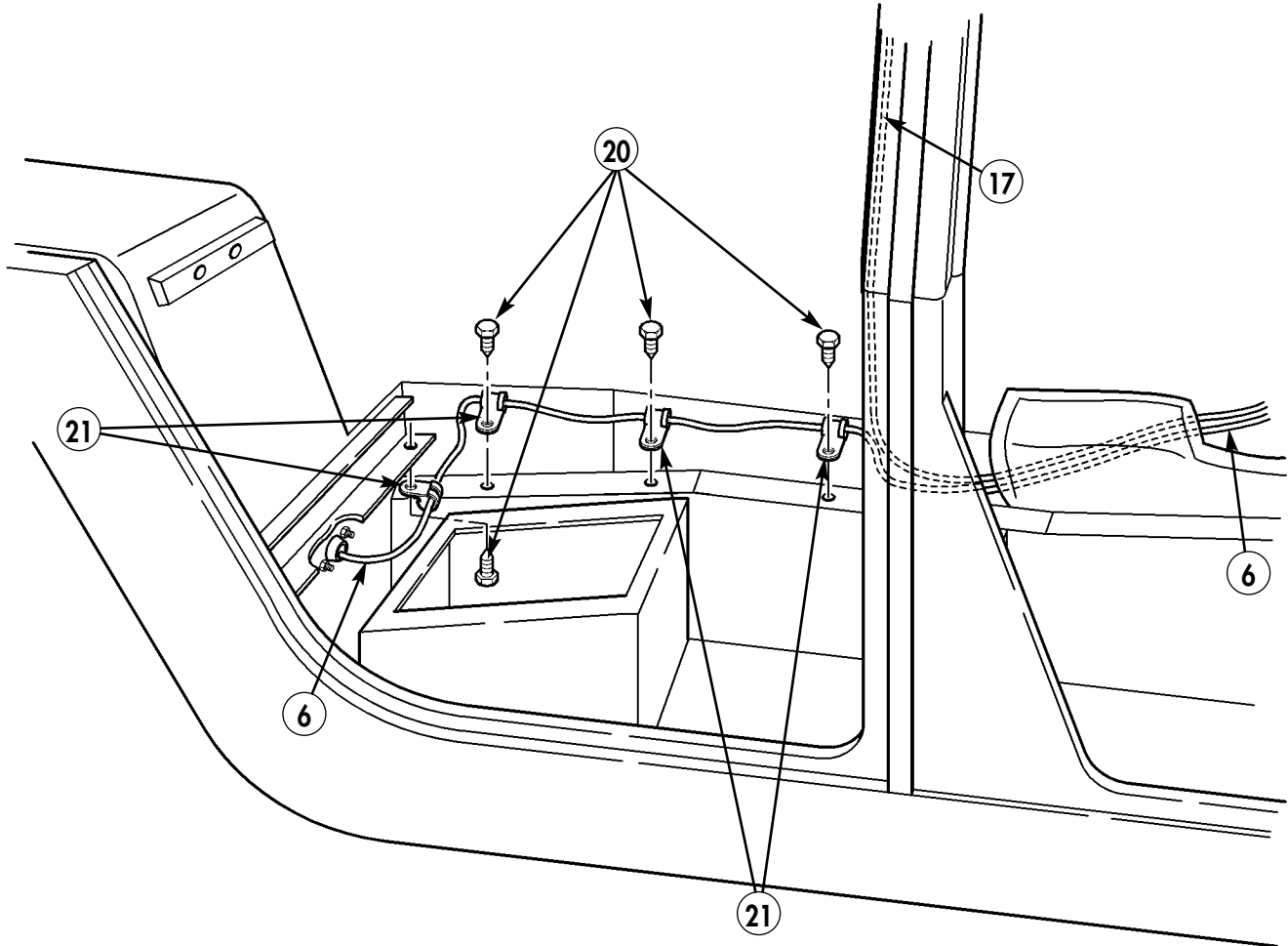
17. ANTENNA CABLE – A3014031-17 – QTY. 1
18. ANTENNA CABLE – A3014032-3 – QTY. 1

Figure 5-57.

NOTE

It may be necessary to drill four 0.147-in. holes in right wheelhouse/utility area before performing step 18-9.

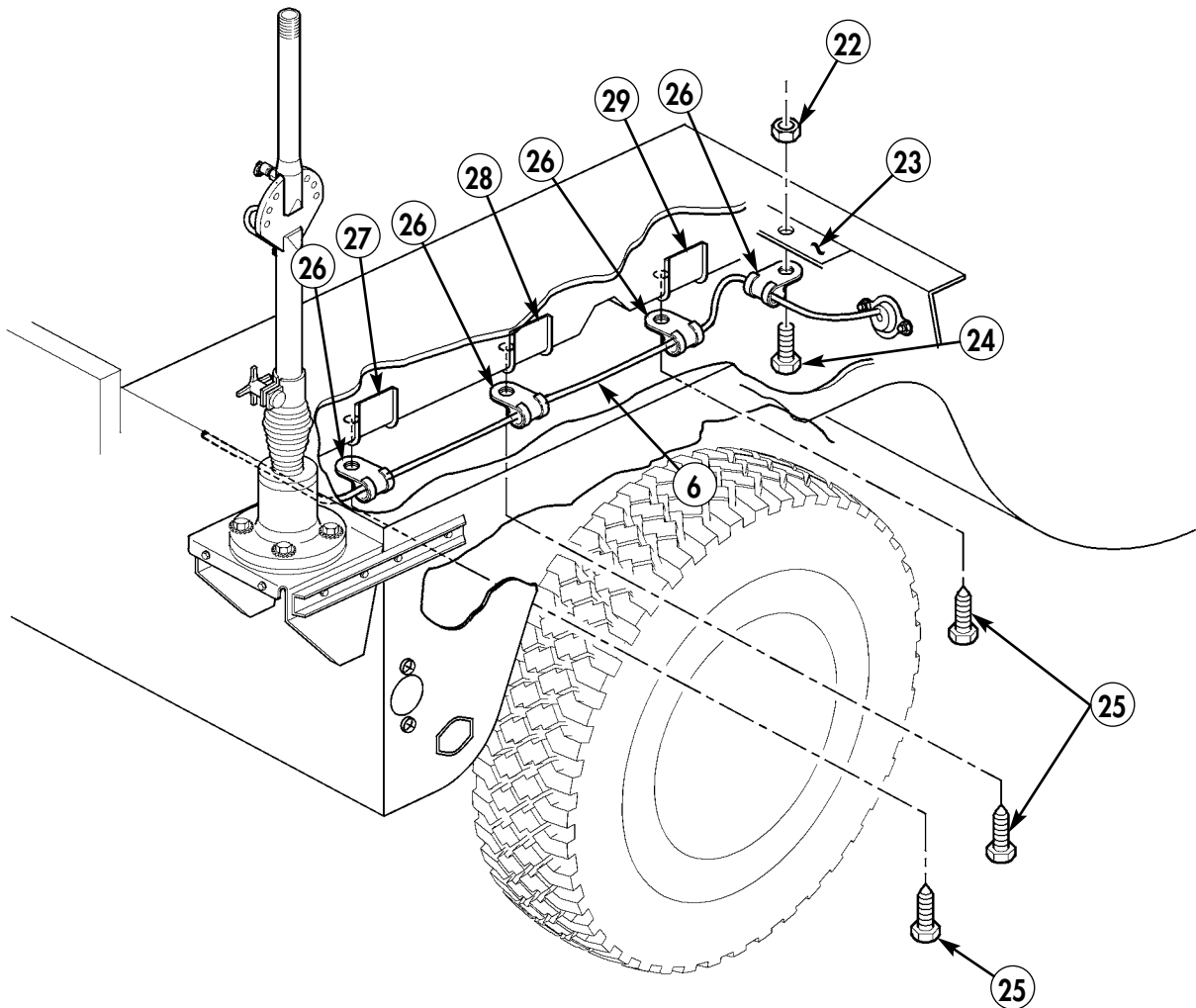
- 18-9. Route antenna cable (17) up B-beam. Secure with tape until antenna and cable are installed in Section XXV.
- 18-10. Route antenna cable (6) along right rear seat/utility area with four self-tapping screws (20) and loop clamps (21).
- 18-11. Route antenna cable (6) through right wheelhouse/utility area with existing grommet, retainer, screws, and plain-assembled nuts. (Refer to TM 9-2320-280-20.)



- 20. SELF-TAPPING SCREW - 1234299-1 - QTY. 4
- 21. LOOP CLAMP - MS21333-75 - QTY. 4

Figure 5-58.

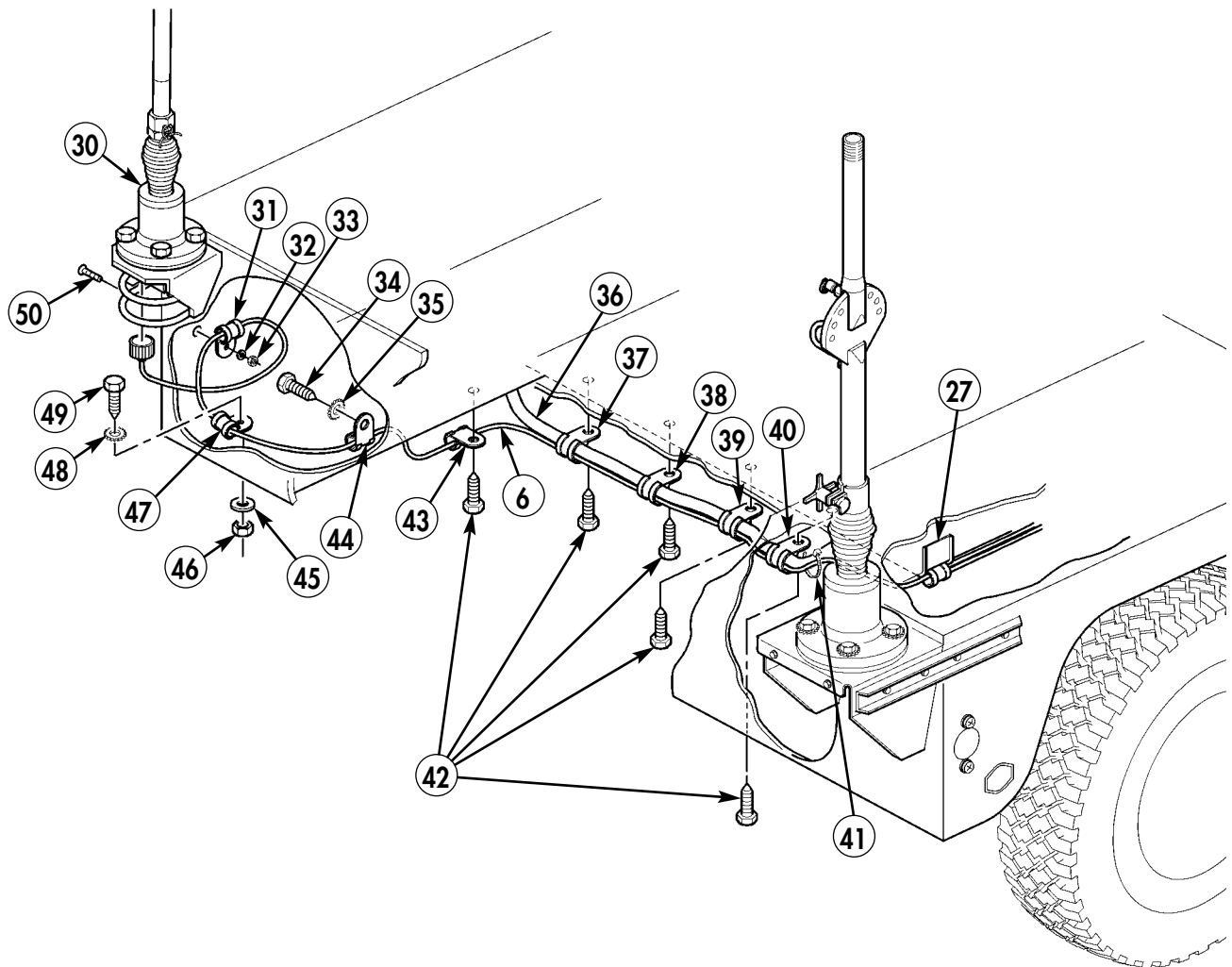
- 18-12.** Route antenna cable (6) along front wheelhouse seam (23) and along front (29), intermediate (28), and rear (27) cargo bed supports. Secure antenna cable (6) to front wheelhouse seam (23) and supports (29), (28), and (27) with three self-tapping screws (25), four loop clamps (26), screw (24), and nut (22).



- 22. NUT – MS35650-302 – QTY. 1
- 24. SCREW – MS35224-65 – QTY. 1
- 25. SELF-TAPPING SCREW – 9421073 – QTY. 3
- 26. LOOP CLAMP – MS21333-98 – QTY. 4

Figure 5-59.

- 18-13. Route antenna cable (6) along existing taillight wiring harness (36) on rear cargo bed support (27) and secure with four existing loop clamps (37), (38), (39), and (40), and existing self-tapping screws (42).
- 18-14. Route antenna cable (6) along existing wiring harness on left-side frame rail with existing loop clamp (43), and self-tapping screw (42).
- 18-15. Route antenna cable (6) along existing wiring harness on left-side frame rail with existing loop clamp (44), screw (34), and lockwasher (35).
- 18-16. Route antenna cable (6) along existing taillight wiring harness on left-side frame rail with existing loop clamp (47), screw (49), lockwasher (48), washer (45), and nut (46).
- 18-17. Route antenna cable (6) to antenna base (30) with loop clamp (31), screw (50), lockwasher (32), and nut (33).
- 18-18. Attach antenna cable (6) to antenna base (30).
- 18-19. Coil excess antenna cable (6) and secure with tiedown strap (41).

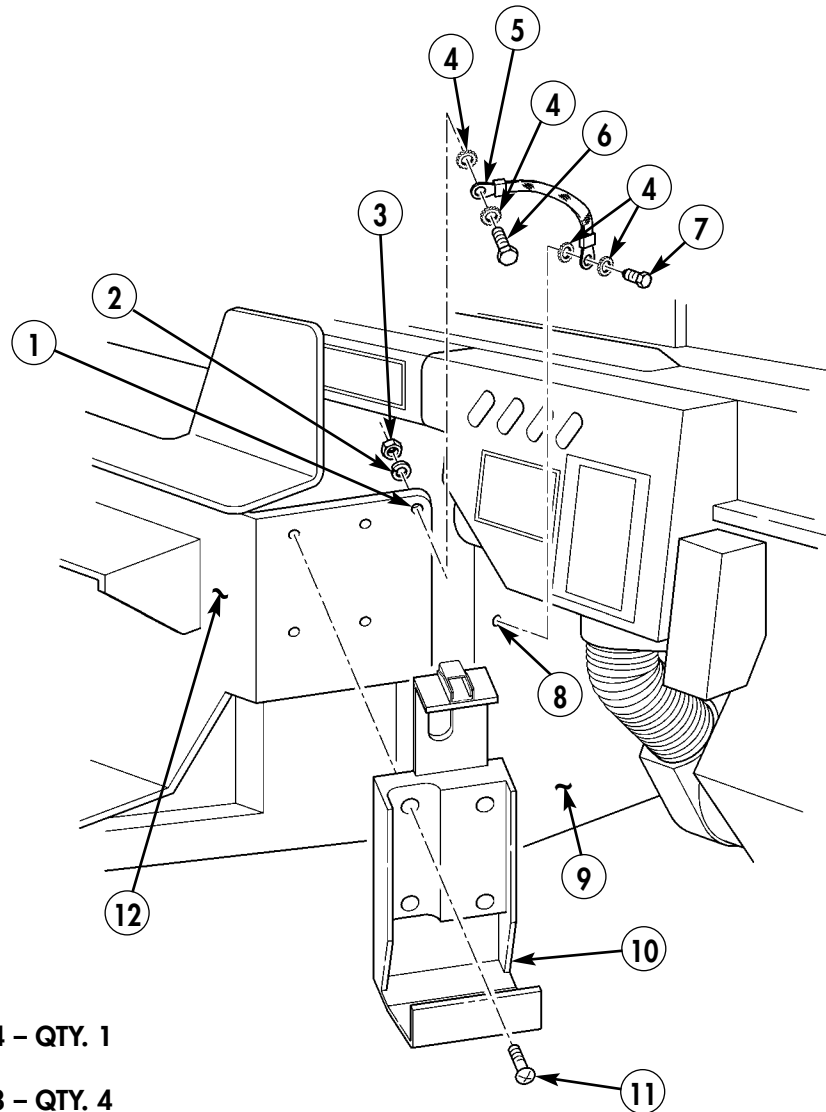


- 31. LOOP CLAMP – MS21333-98 – QTY. 1
- 41. TIEDOWN STRAP – MS3367-1-0 – QTY. A/R

Figure 5-60.

Section XIX. PLGR BRACKET INSTALLATION

- 19-1. Install PLGR bracket (10) on integrated rack (12) with four screws (11).
- 19-2. Locate, mark, and drill one 0.201-in. diameter hole (8) in right-side engine tunnel (9).
- 19-3. Remove paint from vicinity of hole (1) on integrated rack (12) and hole (8) on right-side engine tunnel (9). Apply anti-seize compound as required.
- 19-4. Fabricate ground strap (5) from 8.00-in. length of braided wire and two terminal lugs.
- 19-5. Install ground strap (5) on integrated rack (12) with capscrew (6), two lockwashers (4), lockwasher (2), and nut (3).
- 19-6. Install ground strap (5) on right-side engine tunnel (9) with self-tapping screw (7) and two lockwashers (4).



2. LOCKWASHER – MS35338-44 – QTY. 1
3. NUT – 9419143 – QTY. 1
4. LOCKWASHER – MS45904-68 – QTY. 4
5. GROUND STRAP
 - BRAIDED WIRE – AA59569F30T0375 – QTY. A/R
 - TERMINAL LUG – MS20659-129 – QTY. 2
6. CAPSCREW – B1821BH025C100N – QTY. 1
7. SELF-TAPPING SCREW – 9426241 – QTY. 1
10. PLGR BRACKET – 986-0645-001 – QTY. 1
11. SCREW – MS35206-263 – QTY. 4

Figure 5-61.

Section XX. PLGR ANTENNA AND CABLE INSTALLATION (WITHOUT BOLT-ON ARMOR)

20-1. Remove two plugs (1) from outer right-side windshield frame (3).

NOTE

Drilled holes on inside and outside of windshield frame should be aligned to allow routing of PLGR cable through windshield frame.

20-2. Locate, mark, and drill one 0.375-in. diameter hole (2) in outer right-side windshield frame (3).

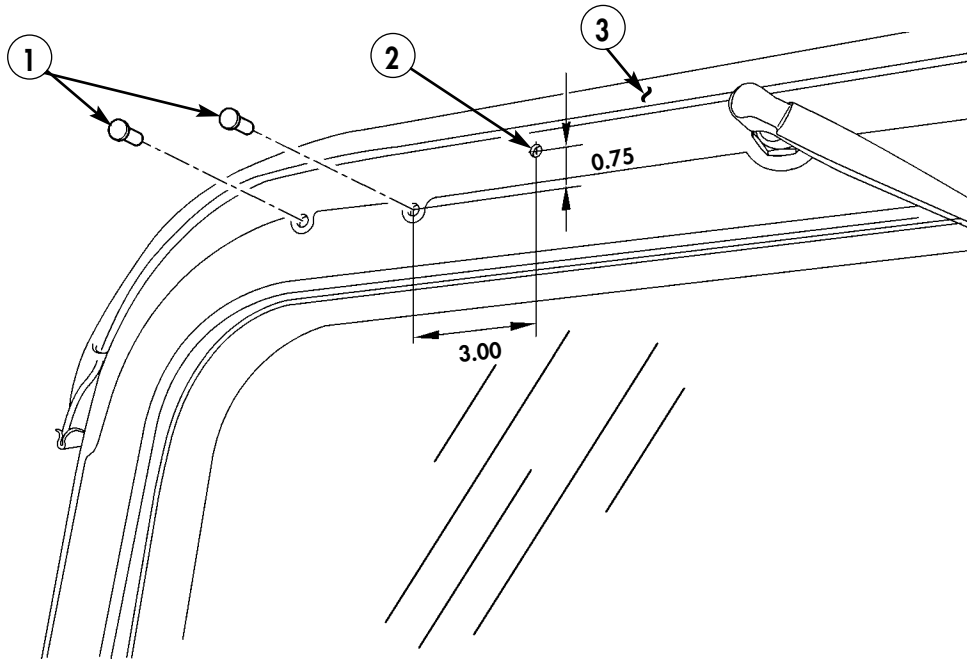


Figure 5-62.

20-3. Locate, mark, and drill one 0.375-in. diameter hole (4) in inner right-side windshield frame (5).

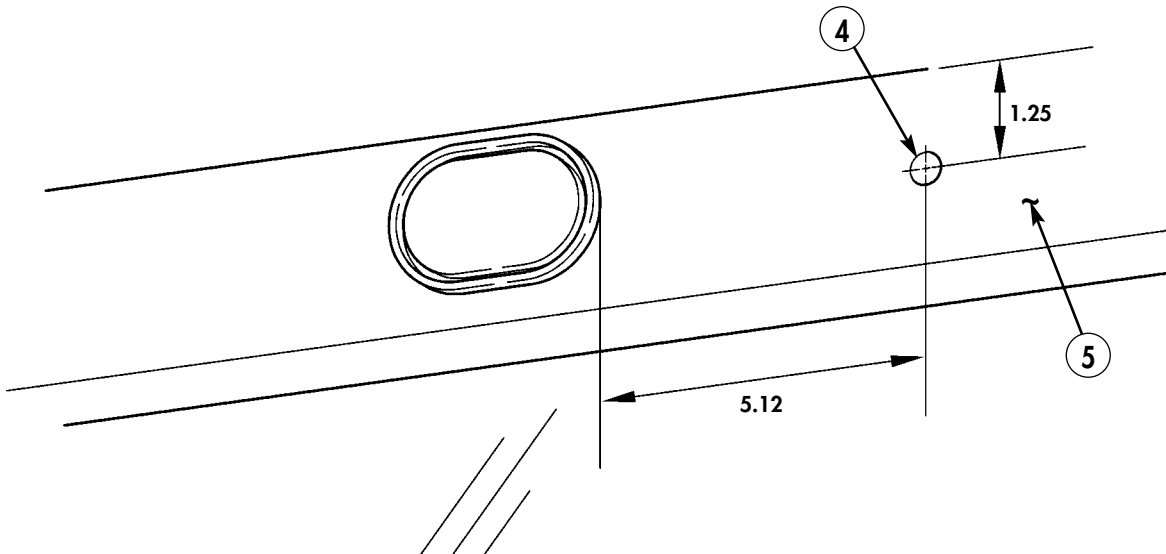
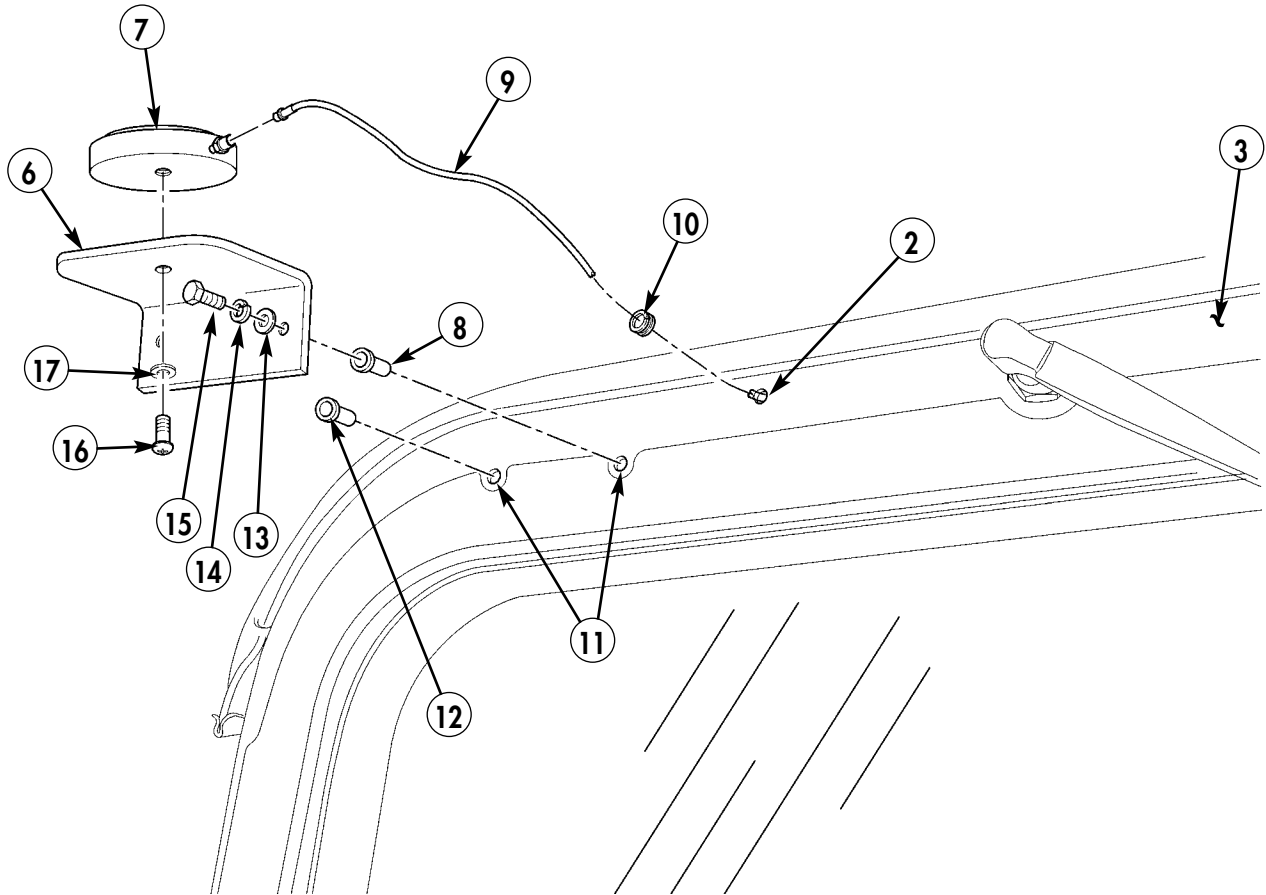


Figure 5-63.

- 20-4. Pull PLGR antenna cable (9) through hole (2) in outer right-side windshield frame (3).
- 20-5. Split one side of grommet (10), place on PLGR antenna cable (9), and insert grommet (10) in hole (2) in outer right-side windshield frame (3).
- 20-6. Install wellnuts (8) and (12) in holes (11).
- 20-7. Install PLGR antenna mount bracket (6) on outer right-side windshield frame (3) with two washers (13), lockwashers (14), and capscrews (15).
- 20-8. Install PLGR antenna (7) on PLGR antenna mount bracket (6) with washer (17) and screw (16).
- 20-9. Attach PLGR antenna cable (9) to PLGR antenna (7).



- 6. PLGR ANTENNA MOUNT BRACKET - 12480578 - QTY. 1
- 7. PLGR ANTENNA - AT575-030 - QTY. 1
- 8. WELLNUT - 12339397-6 - QTY. 1
- 9. PLGR ANTENNA CABLE - 426-0141-050 - QTY. 1
- 10. GROMMET - MS35489-143 - QTY. 1
- 12. WELLNUT - 12339397-3 - QTY. 1
- 13. LOCKWASHER - MS35338-44 - QTY. 2
- 14. WASHER - 9414920 - QTY. 2
- 15. CAPSCREW - B1821BH025C125N - QTY. 2
- 16. SCREW - 160035 - QTY. 1
- 17. WASHER - 9417373 - QTY. 1

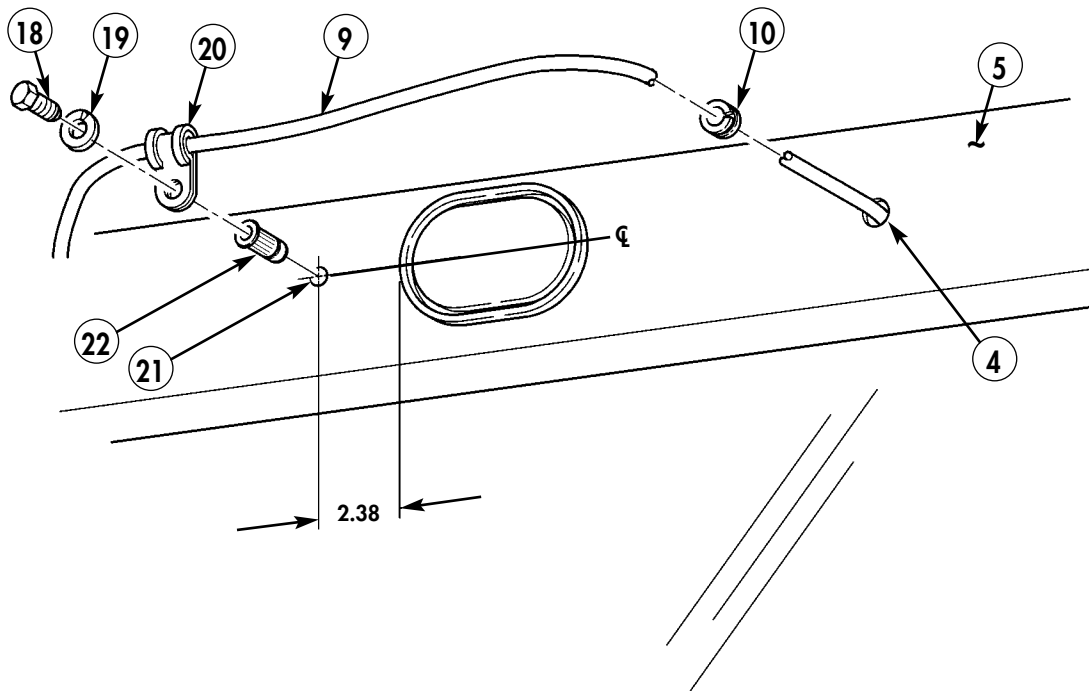
Figure 5-64.

- 20-10.** Split one side of grommet (10) and place on PLGR antenna cable (9).
20-11. Insert PLGR antenna cable (9) and grommet (10) in hole (4) in inner right windshield frame (5).

NOTE

If sun visor kit has not been installed, perform steps 20-12 through 20-14. If sun visor has been installed, perform steps 20-15 and 20-16.

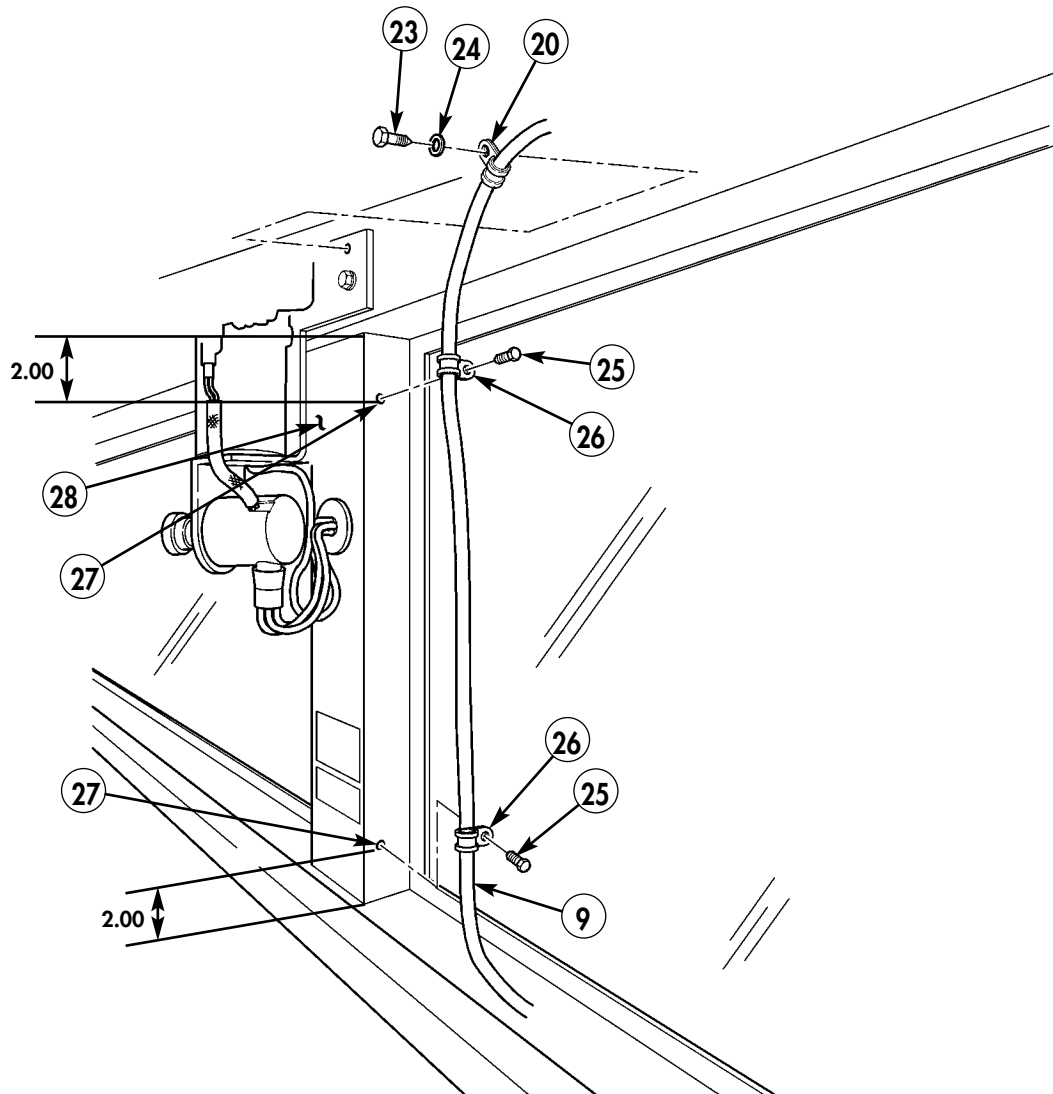
- 20-12.** Locate, mark, and drill one 0.390-in. diameter hole (21) in windshield frame (5).
20-13. Install insert (22) in hole (21).
20-14. Route PLGR antenna cable (9) along inner right windshield frame (5) with loop clamp (20), lockwasher (19), and capscrew (18).
20-15. Remove capscrew (18) and lockwasher (19).
20-16. Route PLGR antenna cable (9) along inner right windshield frame (5) with loop clamp (20), lockwasher (19), and capscrew (18).



- 10.** GROMMET – MS35489-143 – QTY. 1
18. CAPSCREW – B1821BH025C100N – QTY. 1
19. LOCKWASHER – 120380 – QTY. 1
20. LOOP CLAMP – MS21333-96 – QTY. 1
22. INSERT – 12446871-2 – QTY. 1

Figure 5-65.

- 20-17. Locate, mark, and drill two 0.147-in. diameter holes (27) in windshield center frame (28).
- 20-18. Route PLGR antenna cable (9) along windshield center frame (28) with two self-tapping screws (25), loop clamps (26) and (20), existing screw (23), and washer (24).



- 20. LOOP CLAMP – MS21333-96 – QTY. 1
- 25. SELF-TAPPING SCREW – 9421073 – QTY. 2
- 26. LOOP CLAMP – MS21333-65 – QTY. 2

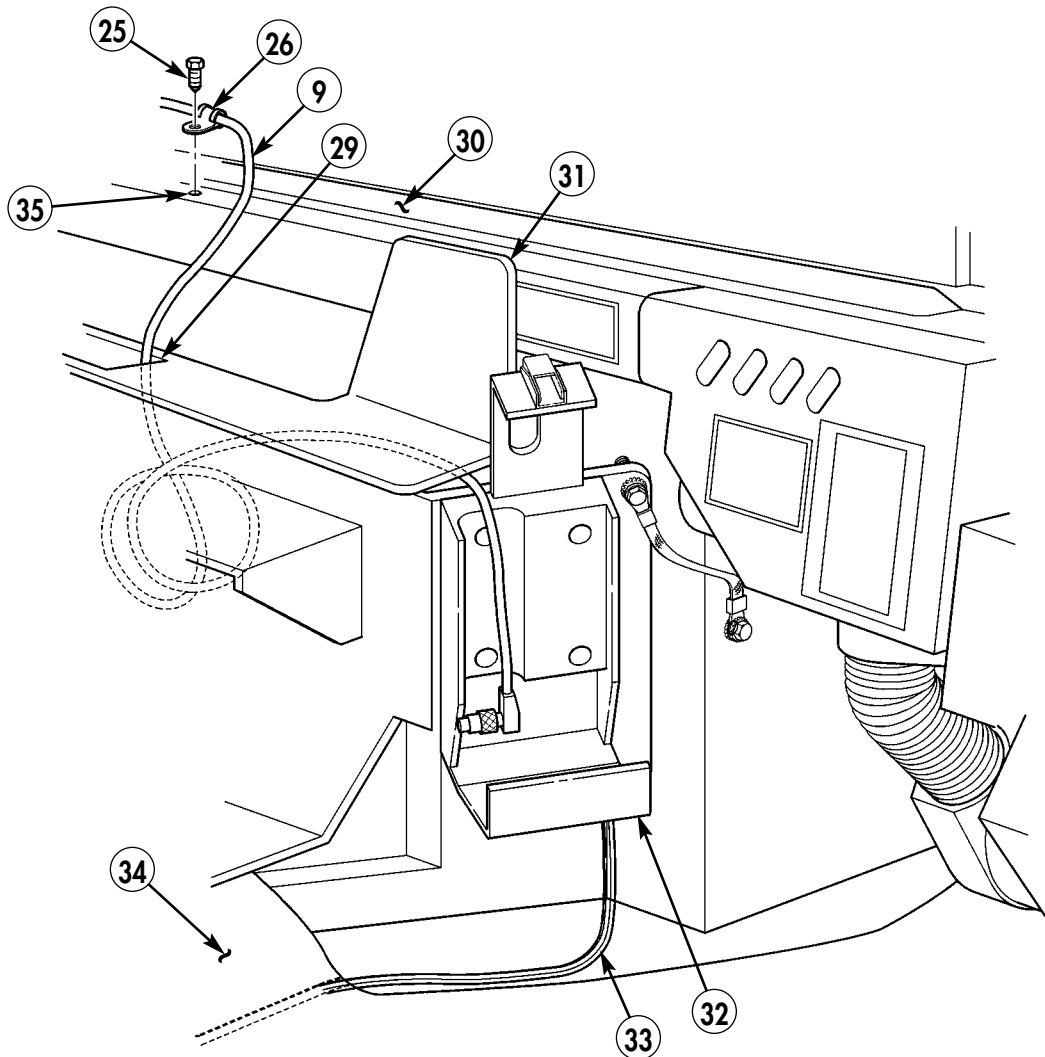
Figure 5-66.

- 20-19. Locate, mark, and drill one 0.147-in. hole (35) in top of windshield frame (30).
- 20-20. Route PLGR antenna cable (9) on top of windshield frame (30) and secure with loop clamp (26) and self-tapping screw (25).
- 20-21. Route PLGR antenna cable (9) down through center access hole (29) of integrated rack (31), and coil excess antenna cable (9) under integrated rack (31).
- 20-22. Route PLGR power cable (33) from bracket (32) to right-side tunnel insulation (34).

NOTE

Loosen right-side tunnel insulation before performing step 20-23.
(Refer to TM 9-2320-280-20.)

- 20-23. Route PLGR power cable (33) under edge of right-side tunnel insulation (34) to 24V terminal bar at cab enclosure panel.



- 25. SELF-TAPPING SCREW - 9421073 - QTY. 1
- 26. LOOP CLAMP - MS21333-65 - QTY. 1
- 31. PLGR POWER CABLE - 9728558-10 - QTY. 1

Figure 5-67.

NOTE

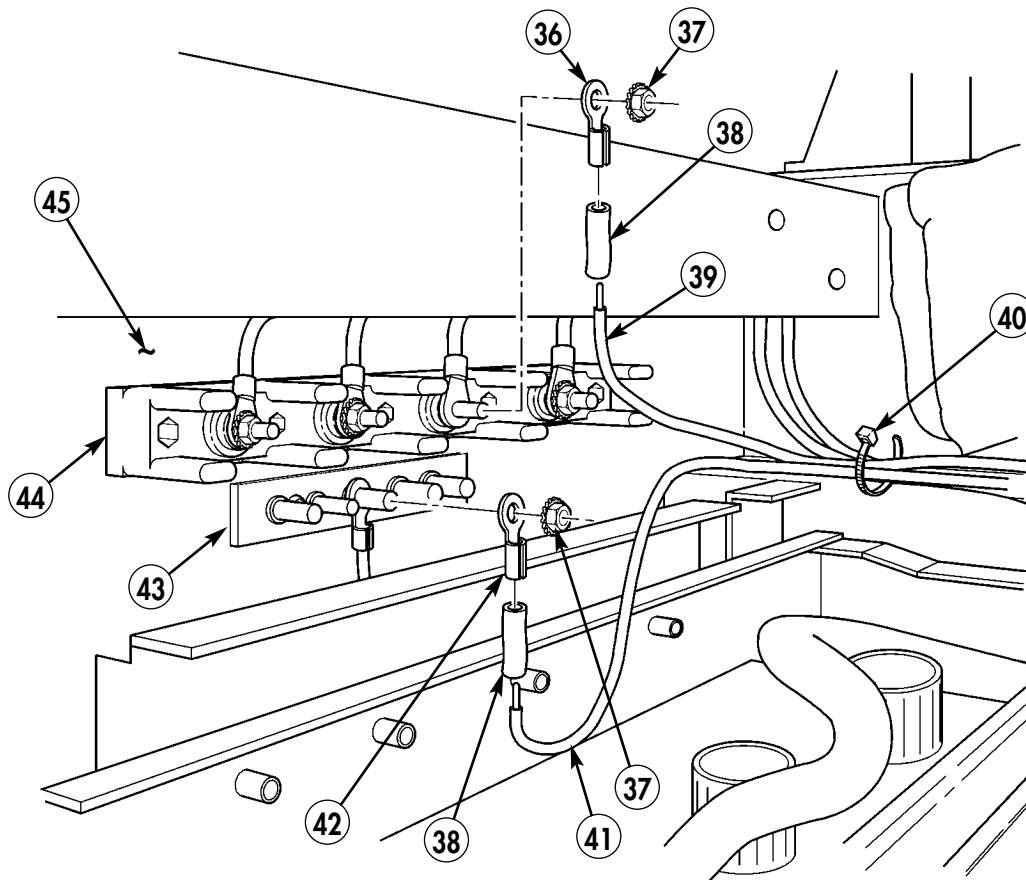
PLGR power cable positive lead insulation is ribbed.

- 20-24. Attach shrink tubing (38) and terminal lugs (36) and (42) to PLGR power cable negative lead (41) and PLGR power cable positive lead (39). (Refer to TM 9-2320-280-20 for terminal connector repair.)
- 20-25. Attach PLGR power cable positive lead (39) to 24V terminal board (44) located on cab enclosure panel (45) with existing nut (37).
- 20-26. Attach PLGR power cable negative lead (41) to ground strap (43) located on cab enclosure panel (45) with existing nut (37).
- 20-27. Coil excess positive and negative power leads (39) and (41), place beneath ground strap (43), and secure with tiedown strap (40).

NOTE

Ensure all excess antenna cable is inside cab of vehicle.

- 20-28. Coil excess antenna cable and store under integrated rack using tiedown strap as necessary. (Refer to figure 5-67.)
- 20-29. Install right-side tunnel insulation. (Refer to TM 9-2320-280-20.)

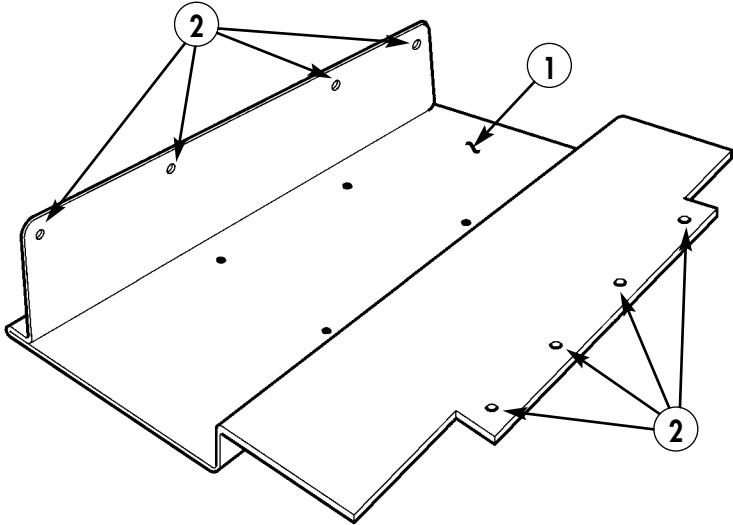
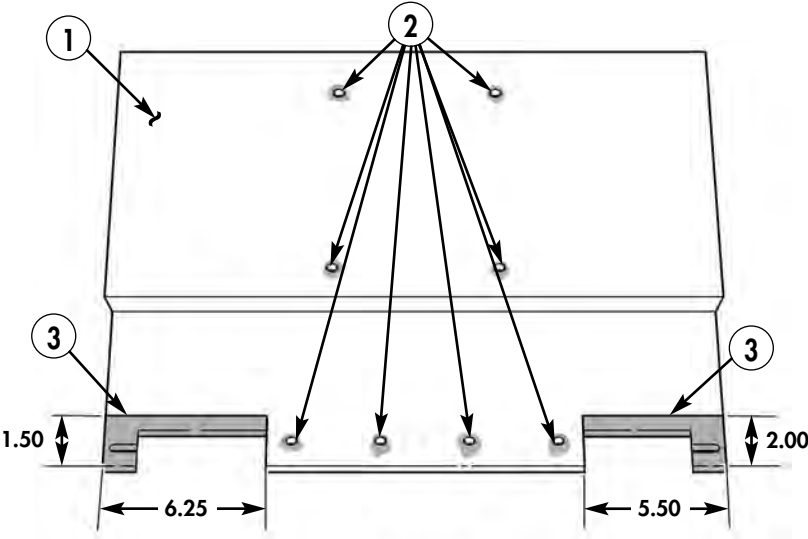


- 36. TERMINAL LUG – 7728780 – QTY. 1
- 38. SHRINK TUBING – MS23053/4-302-0 – QTY. A/R
- 40. TIEDOWN STRAP – MS3367-1-0 – QTY. A/R
- 42. TERMINAL LUG – 7728777 – QTY. 1

Figure. 5-68.

Section XXI. EPLRS MOUNTING INSTALLATION (TWO-MAN VEHICLES)

- 21-1. Remove two sections (3) from mounting plate (1) as shown.
- 21-2. Remove paint from vicinity of sixteen mounting holes (2) on mounting plate (1).



1. MOUNTING PLATE, EPLRS – A3046204 – QTY. 1

Figure 5-69.

NOTE

Procedure requires removal and reinstallation of left rear side rail, which may require assistance. (Refer to TM 9-2320-280-20.) Perform steps 21-3, 21-5, 21-6, 21-8, and 21-10 only for vehicles equipped with rear side rails.

- 21-3. Remove left rear side rail (4).
- 21-4. Using mounting plate (1) as template, locate, mark, and drill four 0.343-in. diameter holes (10) and four 0.281-in. diameter holes (16) in left rear wheelhouse (12).
- 21-5. Reinstall left rear side rail (4). Do not tighten screws.
- 21-6. Using mounting plate (1) and left rear wheelhouse (12) as template, drill four holes in left rear side rail (4) from underside of left rear wheelhouse (12).
- 21-7. Install resilient mount (8) on mounting plate (1) with four capscrews (7), eight lockwashers (6), and four nuts (9).
- 21-8. Remove paint from vicinity of eight mounting holes (16) and (10) on left rear wheelhouse (12). Apply anti-seize compound as required. Position mounting plate (1) between left side rail (4) and left rear wheelhouse (12) and align all holes.
- 21-9. Install mounting plate (1) on left rear wheelhouse (12) with four capscrews (5), lockwashers (14), eight washers (15), four nuts (13), capscrews (7), eight lockwashers (6), four spacers (11), and nuts (9).
- 21-10. Tighten all left rear side rail (4) screws.

- 5. CAPSCREW – B1821BH025C125N – QTY. 4
- 6. LOCKWASHER – MS45904-72 – QTY. 16
- 7. CAPSCREW – B1821BH031C100N – QTY. 8
- 8. RESILIENT MOUNT – MT-6146/VSQ-1 – QTY. 1
- 9. NUT – 9417954 – QTY. 8
- 11. SPACER – A3046313 – QTY. 4
- 13. NUT – 9419143 – QTY. 4
- 14. LOCKWASHER – MS45904-68 – QTY. 4
- 15. WASHER – 2436161 – QTY. 8

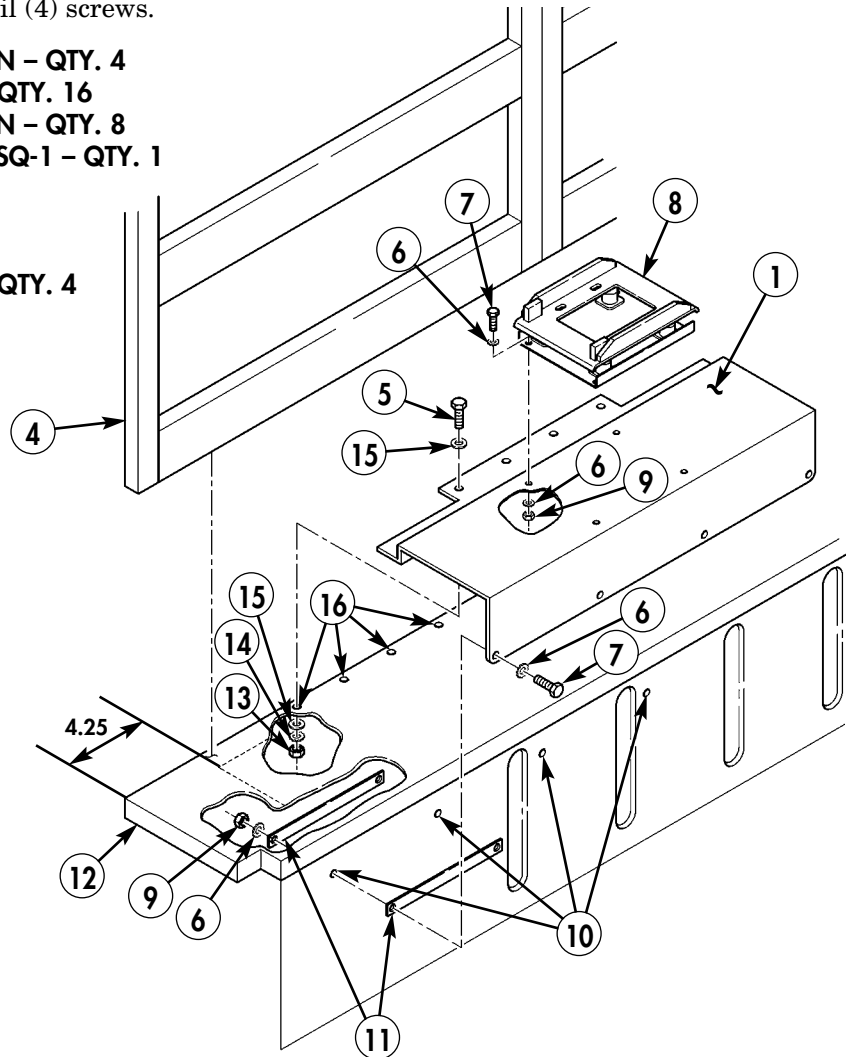


Figure 5-70.

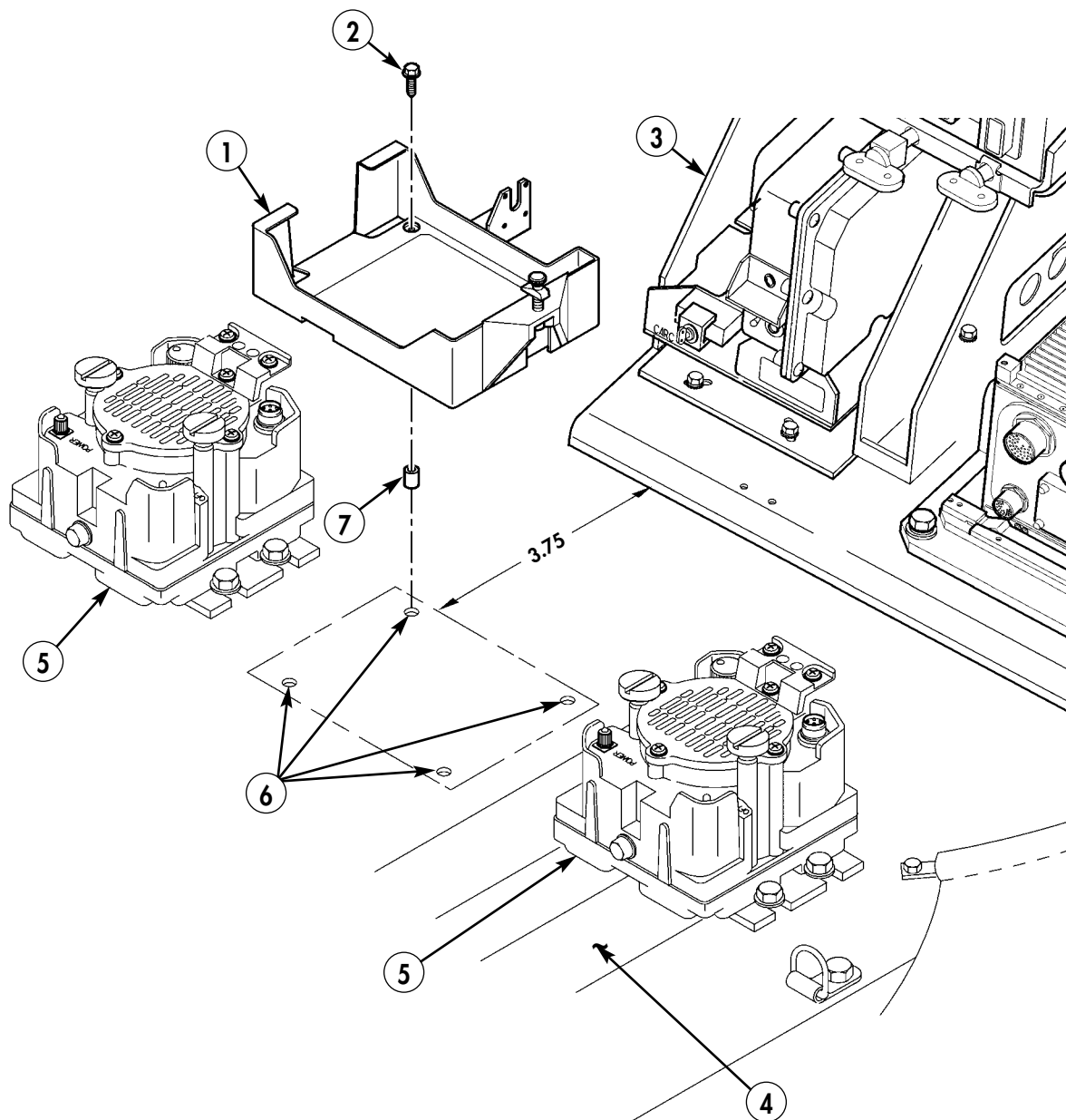
Section XXII. EPLRS URO (USER READOUT) INSTALLATION

NOTE

- Ensure all mounting holes are on the flat surface of cargo floor raised ribs.
- SINCGARS model AN/VRC-92F shown.

22-1. Locate, mark, and drill four 0.147-in. holes (6) on tunnel (4) in front of integrated rack (3) and centered between loudspeakers (5).

22-2. Install URO bracket (1) on tunnel (4) with four self-tapping screws (2) and spacers (7).



1. URO (USER READOUT) BRACKET – A3006206 – QTY. 1
 2. SELF-TAPPING SCREW – 9426634 – QTY. 4
 7. SPACER – 92510A318 – QTY. 4

Figure 5-71.

Section XXIII. EPLRS ANTENNA INSTALLATION (TWO-MAN VEHICLES)

NOTE

Perform following procedures for a two-man vehicle configuration only.

- 23-1. Enlarge four holes (2) on antenna base bracket (1) to 0.343-in. diameter and remove paint from vicinity.

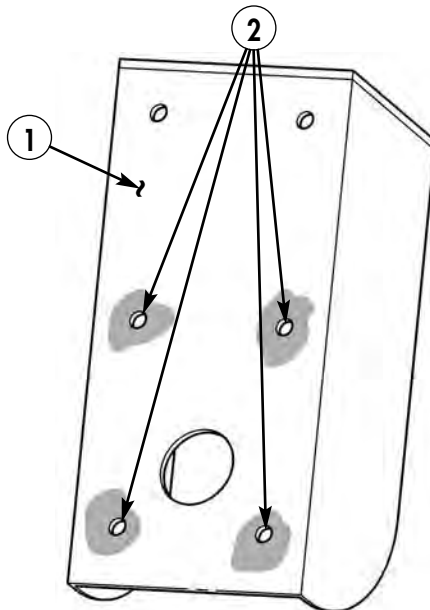
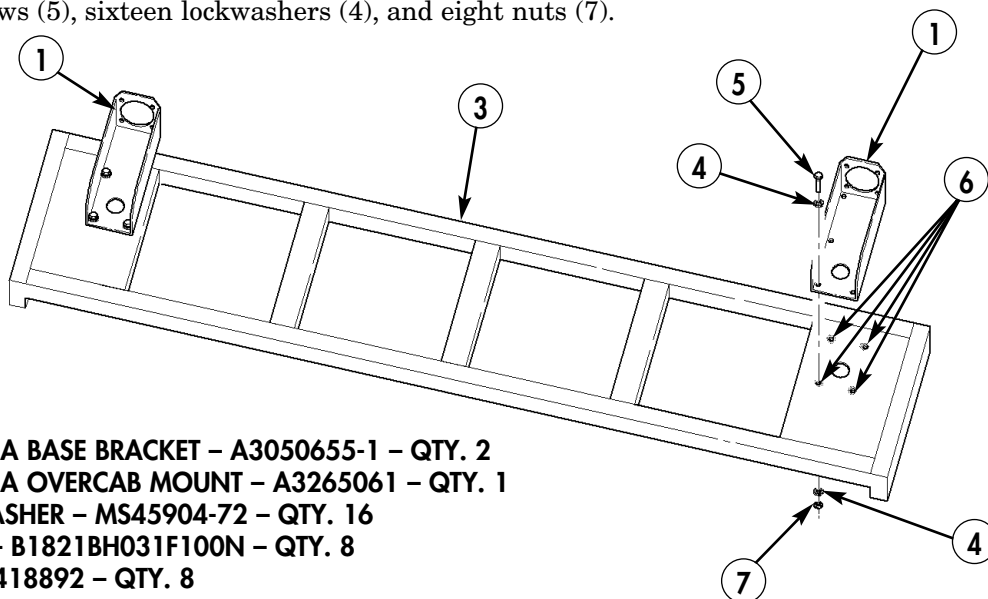


Figure 5-72.

NOTE

Perform steps 23-2 and 23-3 on left and right side of antenna overcab mount.

- 23-2. Using antenna base bracket (1) as template, align access holes of antenna base bracket (1) and antenna overcab mount (3). Mark and drill four 0.343-in. diameter holes (6) in antenna overcab mount (3).
- 23-3. Remove paint from vicinity of four mounting holes (6) on antenna overcab mount (3). Apply anti-seize compound as required.
- 23-4. Install two antenna base brackets (1) on front side of antenna overcab mount (3) with eight screws (5), sixteen lockwashers (4), and eight nuts (7).



- 1. ANTENNA BASE BRACKET - A3050655-1 - QTY. 2
- 3. ANTENNA OVERCAB MOUNT - A3265061 - QTY. 1
- 4. LOCKWASHER - MS45904-72 - QTY. 16
- 5. SCREW - B1821BH031F100N - QTY. 8
- 7. NUT - 9418892 - QTY. 8

Figure 5-73.

- 23-5.** Remove paint from vicinity of sixteen mounting holes (10) on left overhead rail (8) and right overhead rail (9). Apply anti-seize compound as required.

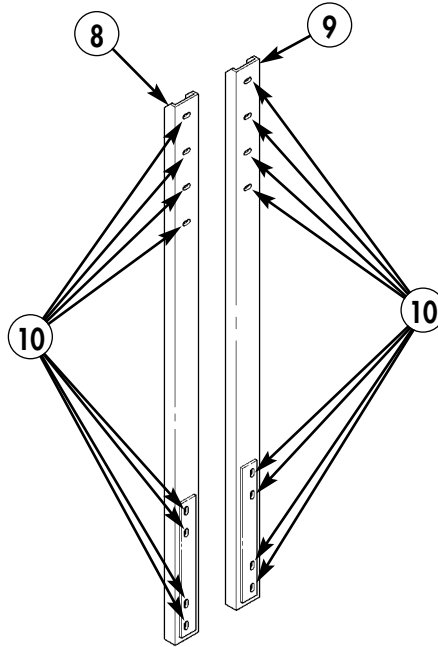
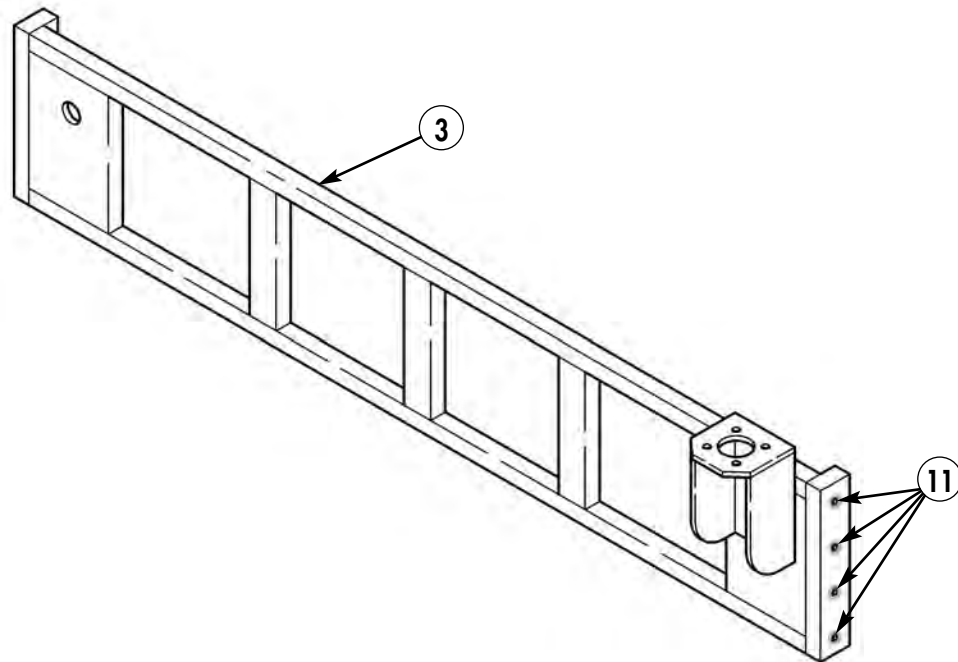


Figure 5-74.

NOTE

Perform step 23-6 on both sides of antenna overcab mount.

- 23-6.** Remove paint from vicinity of four mounting holes (11) on antenna overcab mount (3). Apply anti-seize compound as required. Repeat for opposite side.



- 8. LEFT OVERHEAD RAIL – A3265060-001 – QTY. 1**
9. RIGHT OVERHEAD RAIL – A3265060-002 – QTY. 1

Figure 5-75.

- 23-7. Remove and discard four existing bolts from left and right B-pillars.
- 23-8. Remove paint from vicinity of four holes (12) on left B-pillar mounting (13). Apply anti-seize compound as required.
- 23-9. Install left overhead rail (8) on left B-pillar mounting (13) with four capscrews (14) and washers (15). Do not tighten capscrews (14).

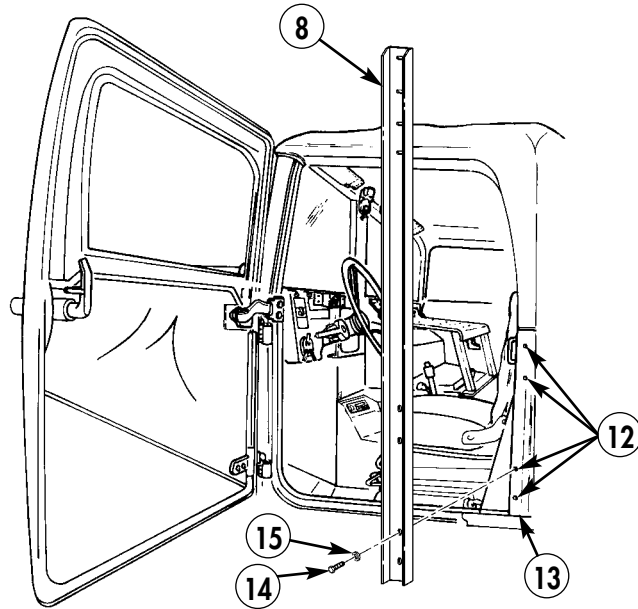
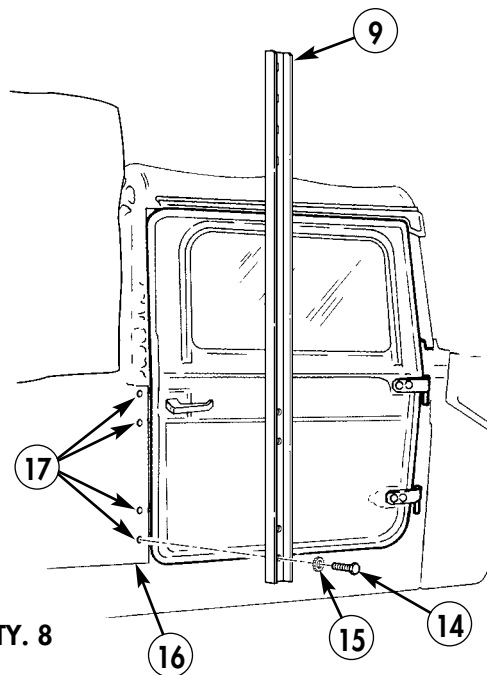


Figure 5-76.

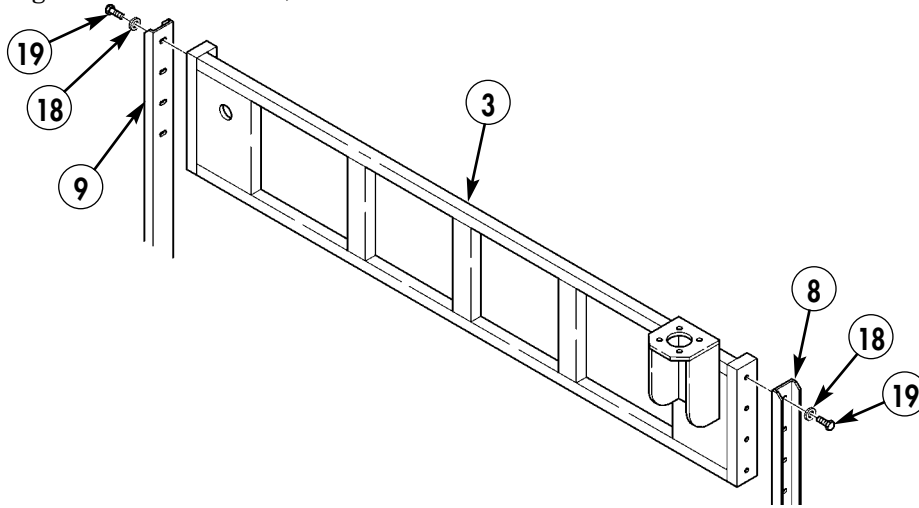
- 23-10. Remove paint from vicinity of four holes (17) on right side of vehicle B-pillar (16). Apply anti-seize compound as required.
- 23-11. Install right overhead rail (9) on right B-pillar mounting (16) with four capscrews (14) and washers (15). Do not tighten capscrews (14).



- 14. CAPSCREW - B1821BH025C138N - QTY. 8
- 15. WASHER - 2436161 - QTY. 8

Figure 5-77.

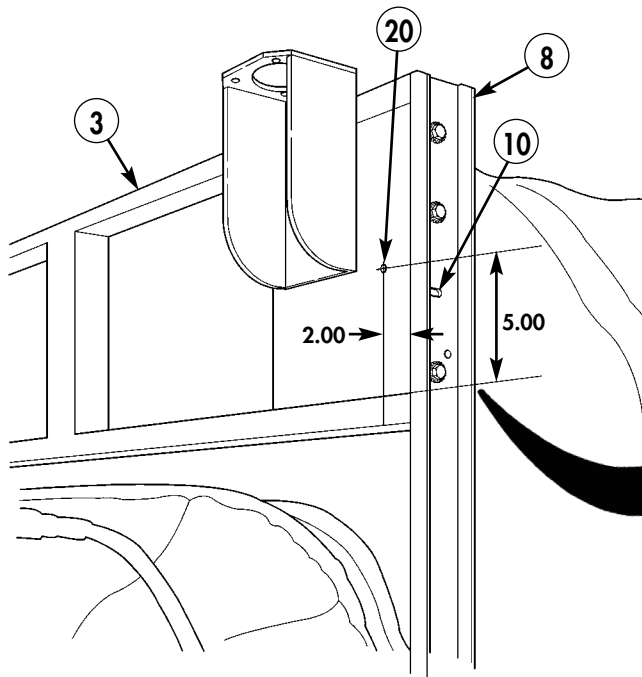
- 23-12.** Install antenna overcab mount (3) on left overhead rail (8) and right overhead rail (9) with six capscrews (19) and six lockwashers (18), omitting one screw and lockwasher (third from top) from both sides. Tighten lower left rail and right rail capscrews (14) to B-pillar. (Refer to figures 5-76 and 5-77.)



18. LOCKWASHER – MS45904-71 – QTY. 6
19. CAPSCREW – B1821BH025C100N – QTY. 6

Figure 5-78.

- 23-13. Remove paint from vicinity of left overhead rail hole (10). Apply anti-seize compound as required.
- 23-14. Fabricate ground strap (23) from 6-in. length of braided wire and two terminal lugs.
- 23-15. Install ground strap (23) on left overhead rail (8) with capscrew (19) and two lockwashers (18).
- 23-16. Locate, mark, and drill one 0.281-in. diameter hole (20) in antenna overcab mount (3).
- 23-17. Remove paint from vicinity of antenna overcab mount hole (20). Apply anti-seize compound as required.
- 23-18. Install ground strap (23) on antenna overcab mount (3) with capscrew (24), two lockwashers (18), washer (21), and nut (22).
- 23-19. Repeat steps 23-13 through 23-18 for right side.



- 18. LOCKWASHER – MS45904-71 – QTY. 4
- 19. CAPSCREW – B1821BH025C100N – QTY. 2
- 21. WASHER – 2436161 – QTY. 2
- 22. NUT – 9419143 – QTY. 2
- 23. GROUND STRAP
 - BRAIDED WIRE – AA59569F30T0375 – QTY. A/R
 - TERMINAL LUG – MS20659-141 – QTY. 4
- 24. CAPSCREW – B1821BH025C075N – QTY. 2

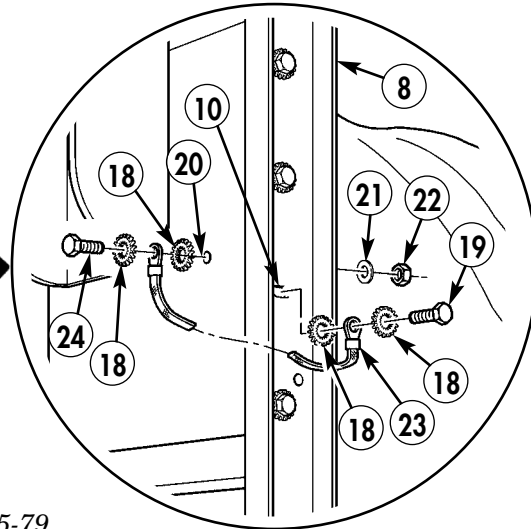
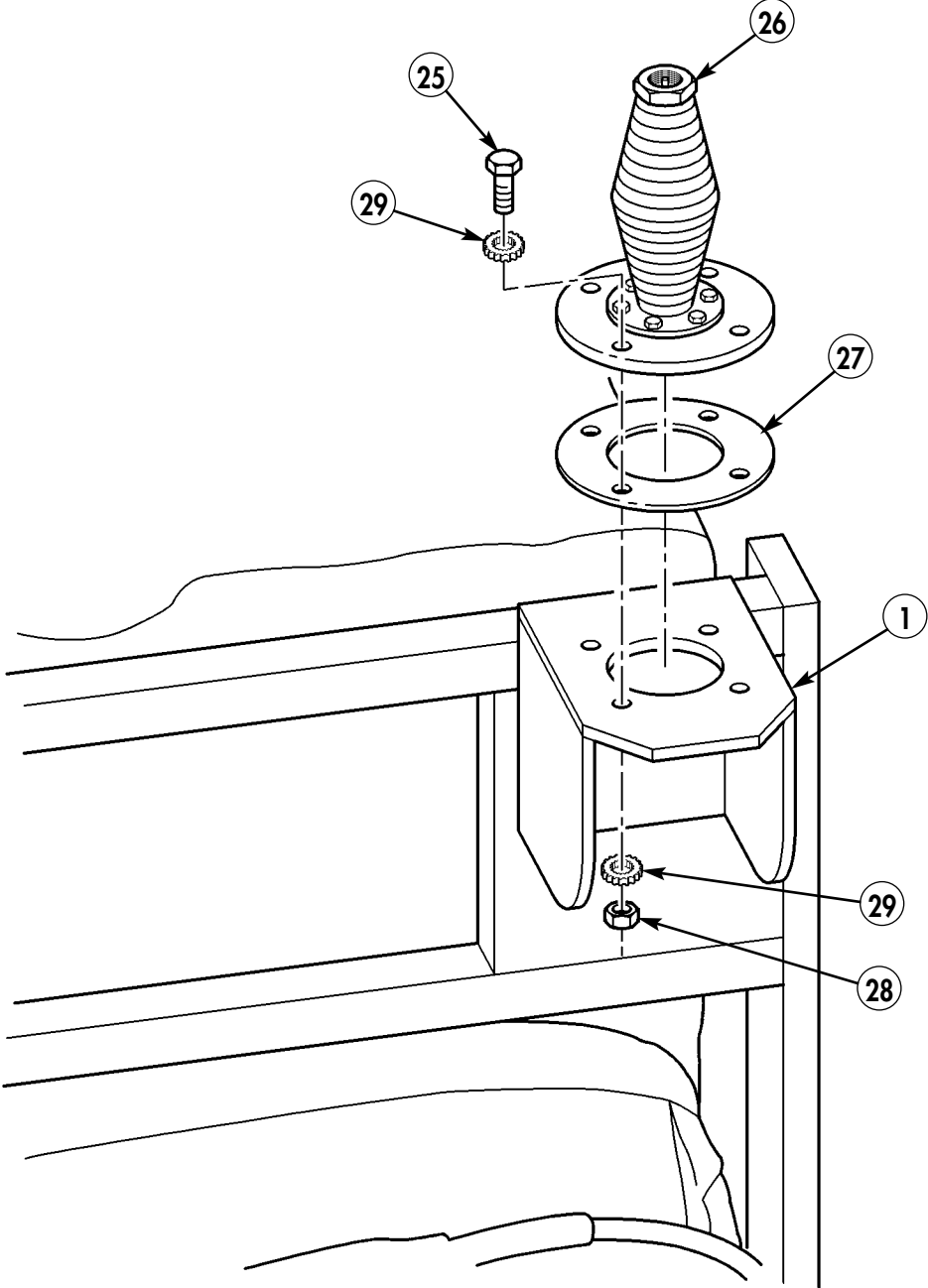


Figure 5-79.

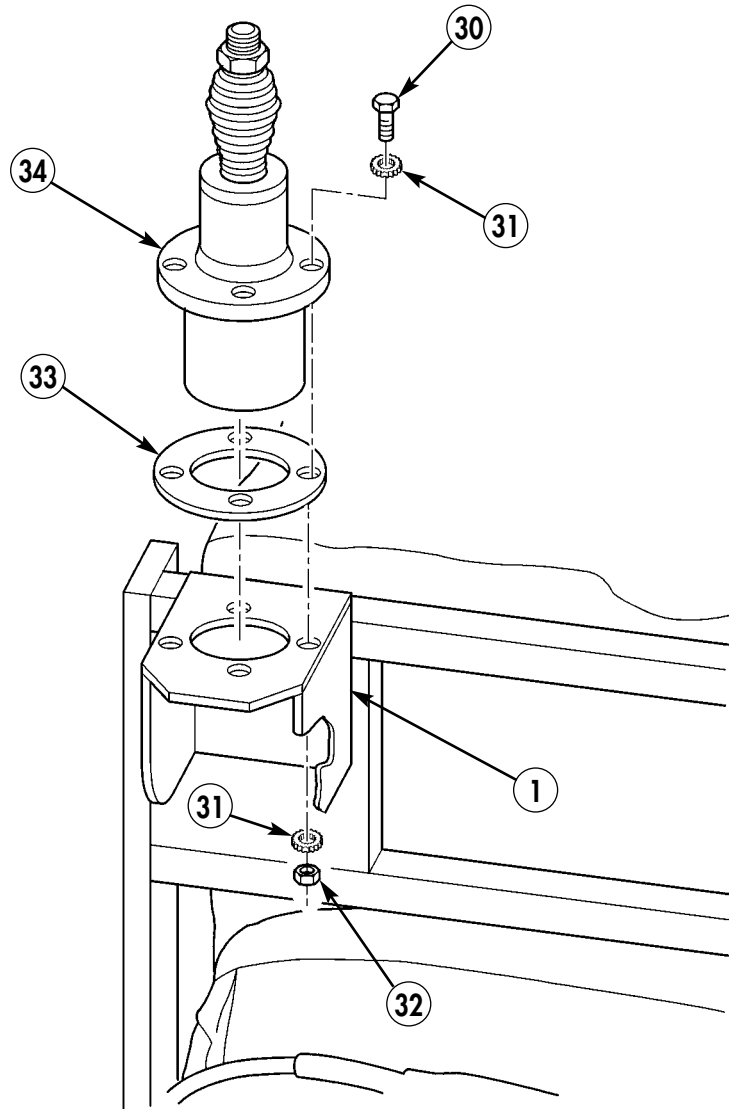
23-20. Install antenna base (26) on antenna base bracket (1) with four capscrews (25), eight lockwashers (29), gasket (27), and four nuts (28).



- 25. CAPSCREW - B1821BH038C150N - QTY. 4
- 26. ANTENNA - A3005031 - QTY. 1
- 27. GASKET - A3013655-1 - QTY. 1
- 28. NUT - 13218E0320-293 - QTY. 4
- 29. LOCKWASHER - MS45904-76 - QTY. 8

Figure 5-80.

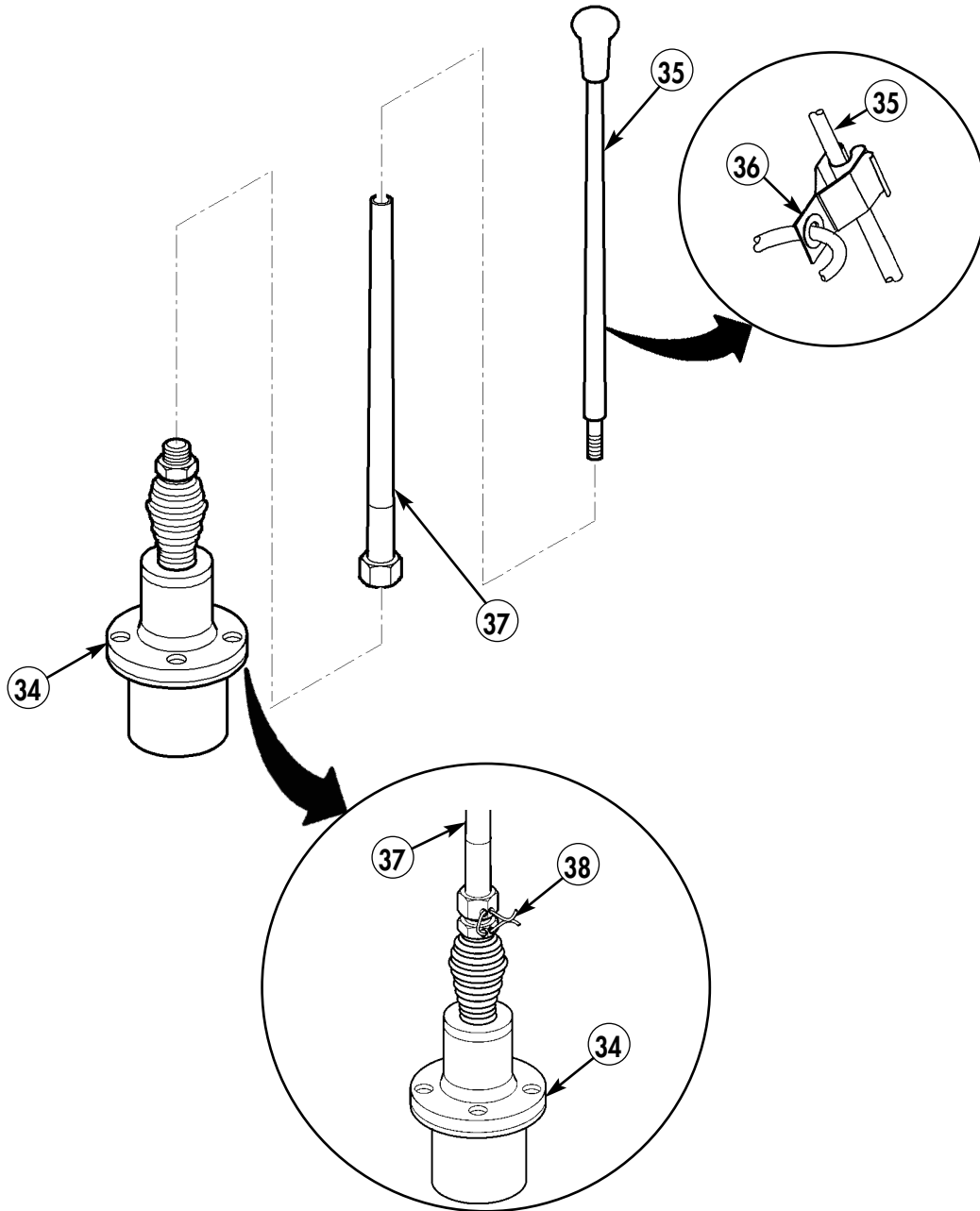
- 23-21. Position antenna with base (34) and gasket (33) on antenna bracket (1) and feed existing ground strap through antenna base bracket (1).
- 23-22. Attach antenna with base (34) to antenna base bracket (1) with four screws (30), eight lockwashers (31), and four nuts (32).



- 30. SCREW - MS35307-365 - QTY. 4
- 31. LOCKWASHER - MS45904-72 - QTY. 8
- 32. NUT - 13218E0320-293 - QTY. 4
- 33. GASKET - A3013655-1 - QTY. 1
- 34. ANTENNA - A3017889-2 - QTY. 1

Figure 5-81.

- 23-23. Attach upper antenna element (35) to lower antenna element (37).
- 23-24. Attach antenna assembly to antenna base (34).
- 23-25. Attach fiber rope assembly (36) to upper antenna element (35).
- 23-26. Secure lower antenna element (37) to antenna base (34) with lockwire (38).



- 35. UPPER ANTENNA ELEMENT – A3017901-2 – QTY. 1
- 36. FIBER ROPE ASSEMBLY – A3167672-1 – QTY. 1
- 37. LOWER ANTENNA ELEMENT – A3018230-1 – QTY. 1
- 38. LOCKWIRE – MS20995C32 – QTY. A/R

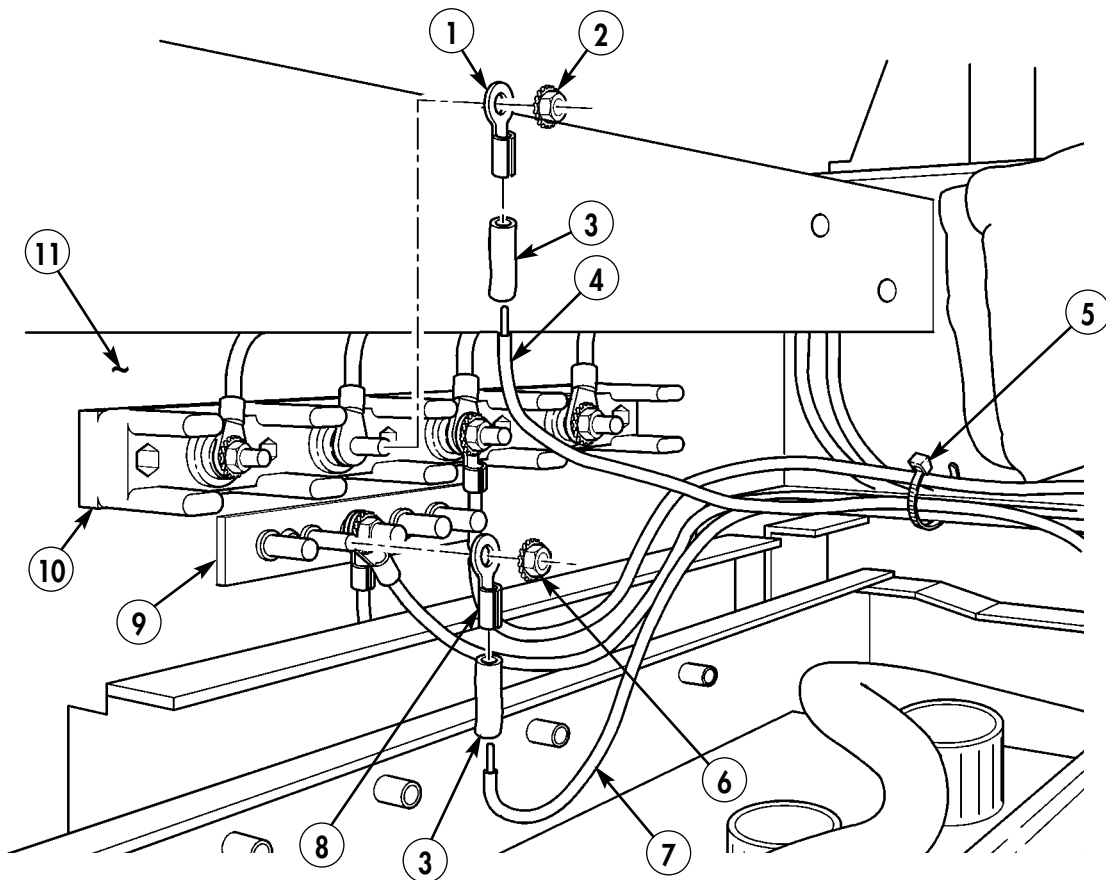
Figure 5-82.

Section XXIV. EPLRS CABLES INSTALLATION (TWO-MAN VEHICLES)

NOTE

- Loosen right-side tunnel insulation before performing step 24-1. (Refer to TM 9-2320-280-20.)
- Perform following procedures for two-man vehicle configuration only.

- 24-1. Route power cable (15) under right-side tunnel insulation towards terminal board. (Refer to figure 5-84.)
- 24-2. Attach heat shrink tubing (3) and two terminal lugs (1) and (8) to power cable negative lead (7) and power cable positive lead (4). (Refer to TM 9-2320-280-20 for terminal connector repair.)
- 24-3. Connect power cable positive lead (4) to 24V terminal board (10) located on cab enclosure panel (11) with existing nut (2).
- 24-4. Connect power cable negative lead (7) to ground strap (9) located on cab enclosure panel (11) with existing nut (6). Secure leads together with tiedown strap (5).
- 24-5. Secure right-side tunnel insulation. (Refer to TM 9-2320-280-20.)



1. TERMINAL LUG – 7728780 – QTY. 1
3. SHRINK TUBING – MS23053/4-302-0 – QTY. A/R
5. TIEDOWN STRAP – MS3367-1-0 – QTY. A/R
8. TERMINAL LUG – 7728777 – QTY. 1

Figure 5-83.

NOTE

- Loosen left-side tunnel insulation before performing steps 24-6 through 24-8. (Refer to TM 9-2320-280-20.)
- SINCGARS model AN/VRC-92F shown.
- Previously routed cables are not shown for clarity.

- 24-6.** Route INC-EPUU cable (12) from integrated rack (14) down through center access hole (13) and under left-side tunnel insulation (19) towards rear of vehicle.
- 24-7.** Route power cable (15) forward and under integrated rack (14) and under left-side tunnel insulation (19) towards rear of vehicle.
- 24-8.** Route URO extension cable (18) towards URO bracket (17) between loudspeakers (16) and connect to URO bracket (17) with four screws (20), lockwashers (21), and nuts (22). Route remaining URO extension cable (18) under left-side tunnel insulation (19) and towards rear of vehicle.
- 24-9.** Secure left-side tunnel insulation (19). (Refer to TM 9-2320-280-20.)

12. INC-EPUU CABLE – A3279383-3 – QTY. 1

15. EPLRS POWER CABLE – A3004939 – QTY. 1

18. URO EXTENSION CABLE – A3005328 – QTY. 1

20. SCREW – 9417875 – QTY. 4

21. LOCKWASHER – 131043 – QTY. 4

22. NUT 116002 – QTY. 4

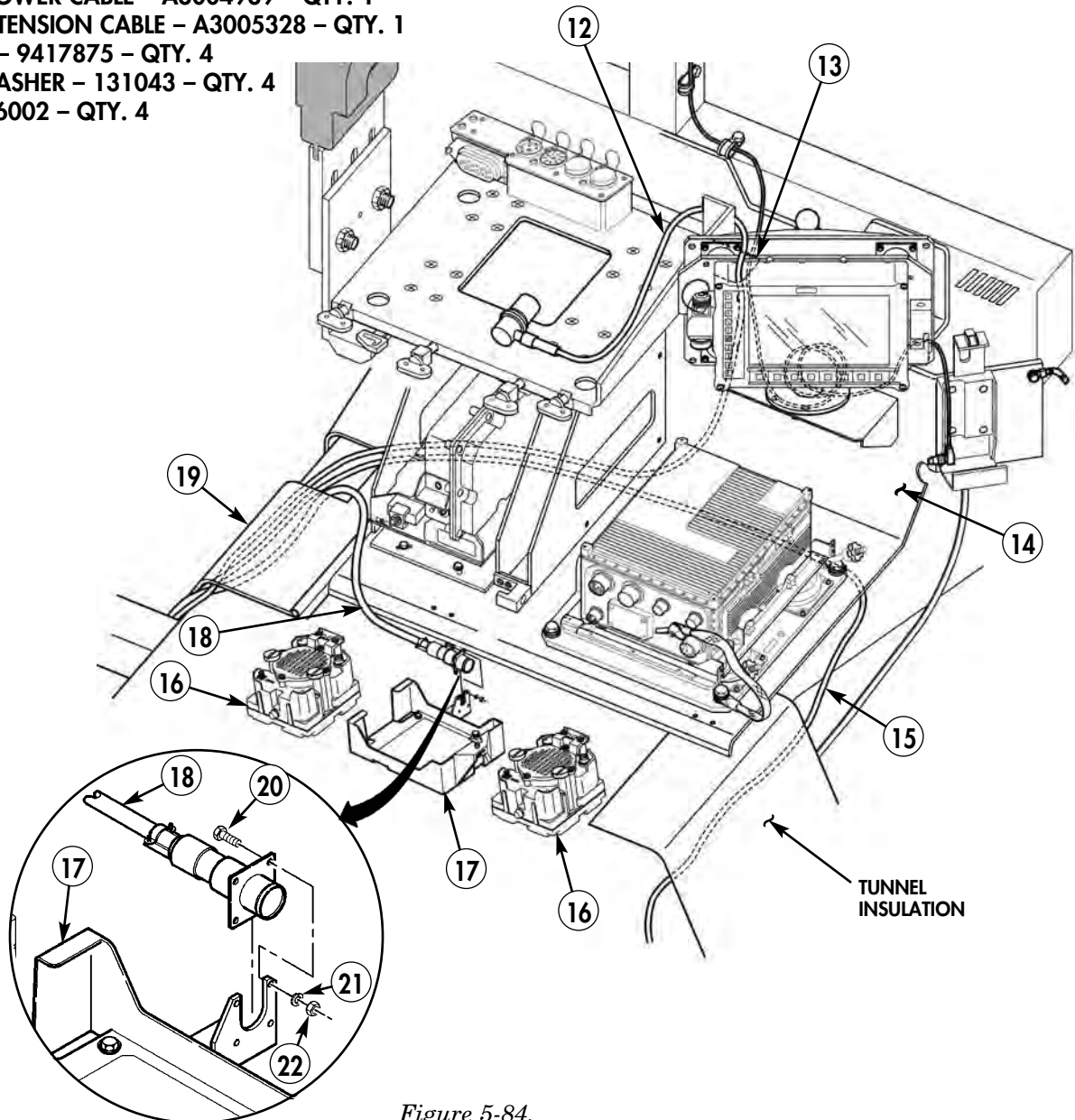
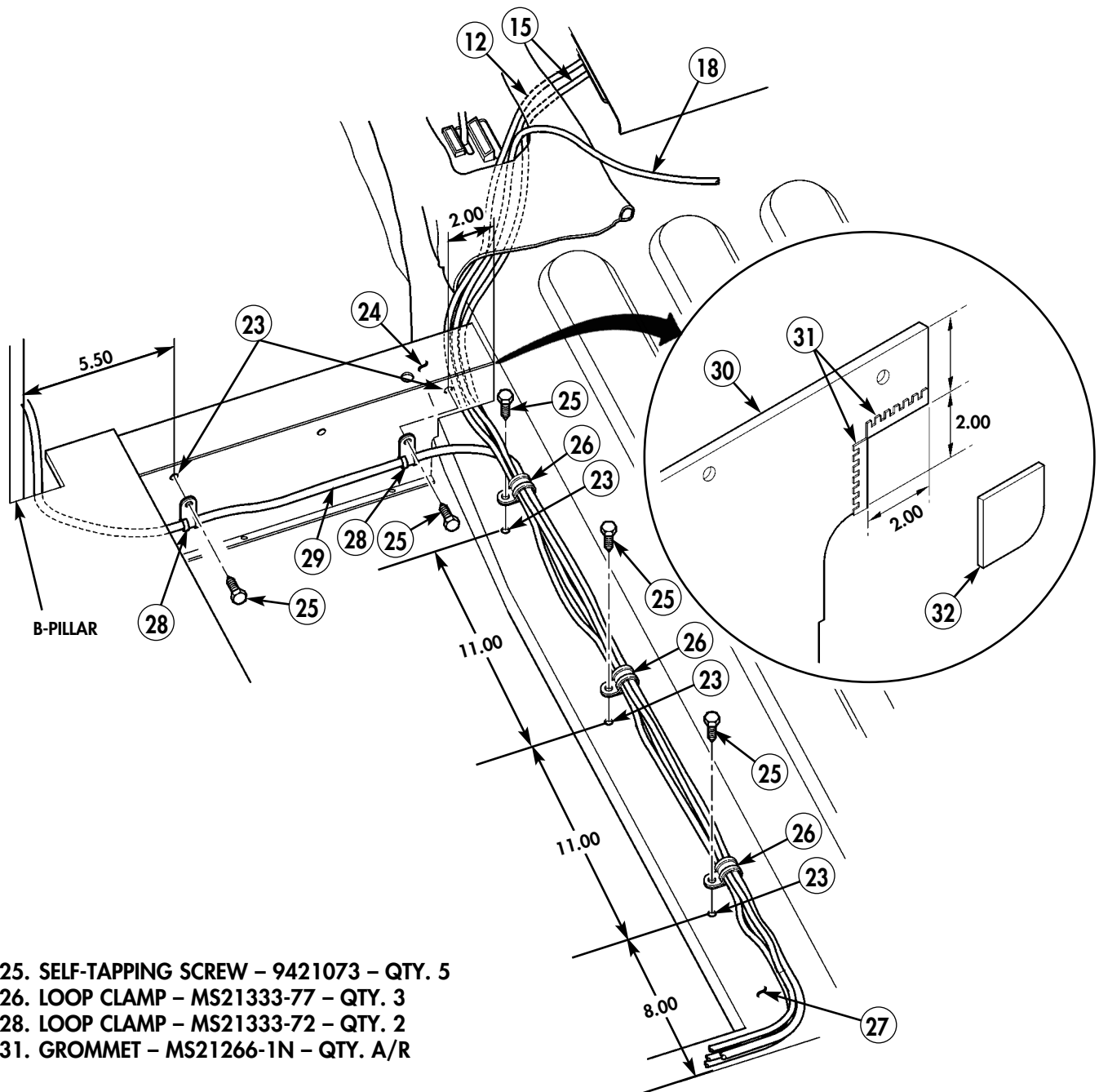


Figure 5-84.

NOTE

Perform step 24-10 for vehicles with left rear cab enclosure panel only.

- 24-10. Cut 2x2 in. section (32) from left rear cab enclosure panel (30). Install grommet (31) in panel (30). Reinstall cab enclosure panel (30). (Refer to TM 9-2320-280-20.)
- 24-11. Locate, mark, and drill five 0.147-in. holes (23) along tunnel edge (27) and rear of left B-beam (24).
- 24-12. Route INC-EPUU cable (12), URO extension cable (18), and power cable (15) rearward under B-beam (24) and along tunnel edge (27).
- 24-13. Route antenna cable (29) along rear of left B-beam (24) and secure with two loop clamps (28) and self-tapping screws (25).
- 24-14. Route INC-EPUU cable (12), URO extension cable (18), power cable (15), and antenna cable (29) rearward along tunnel edge (27) and secure with three clamps (26) and self-tapping screws (25).



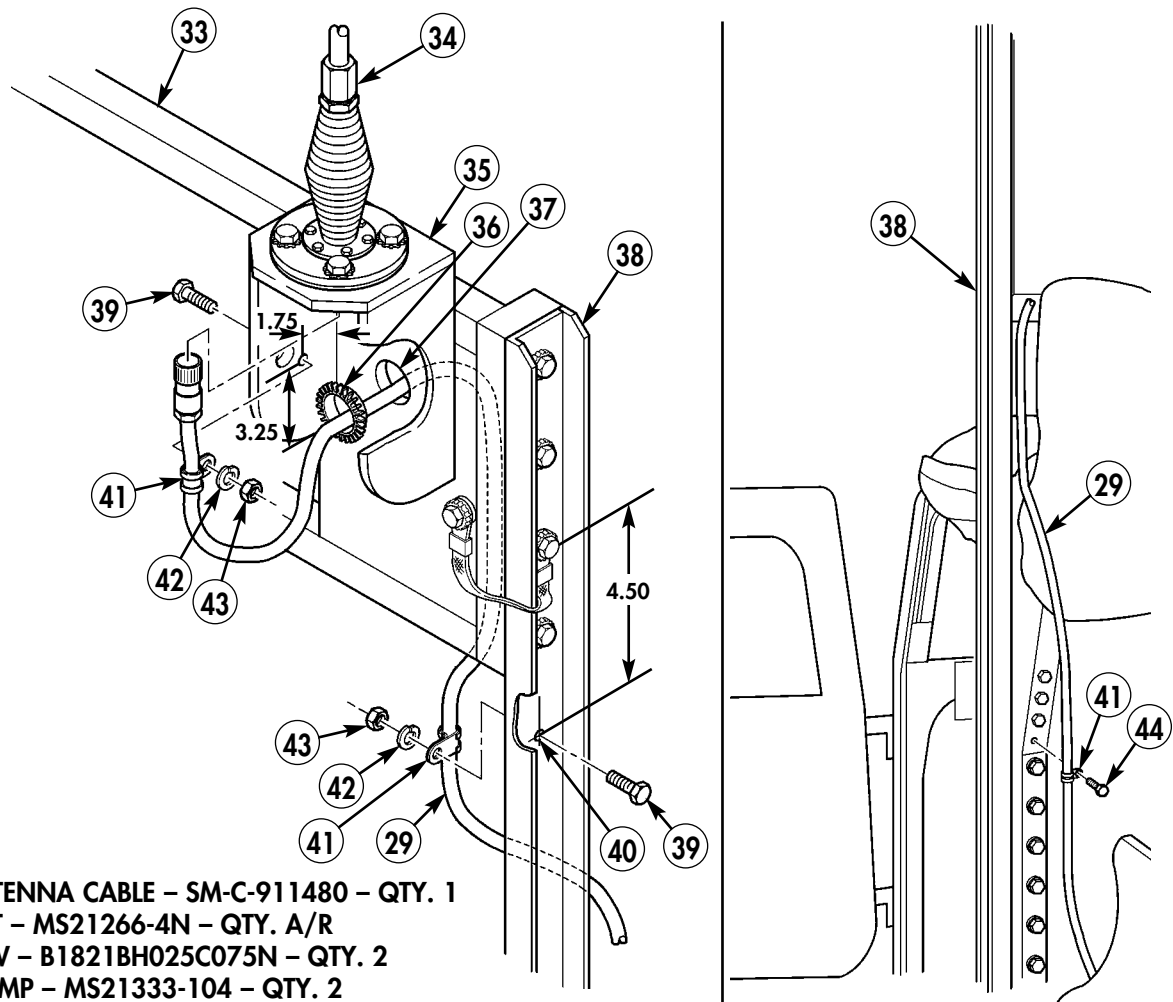
- 25. SELF-TAPPING SCREW - 9421073 - QTY. 5
- 26. LOOP CLAMP - MS21333-77 - QTY. 3
- 28. LOOP CLAMP - MS21333-72 - QTY. 2
- 31. GROMMET - MS21266-1N - QTY. A/R

Figure 5-85.

NOTE

- If soft top has been installed, roll back to allow clearance for routing of antenna cable in steps 24-16 through 24-19.
- Lay out all cables in their approximate positions before clamps are installed. This will minimize length, and ensure slack is taken out of all cables from front of vehicle to rear.
- Excess slack in all cables will be stored under EPLRS mount assembly.
- It may be necessary to drill one 0.281-in. diameter hole in right side of antenna base bracket for antenna cable clamp. (Refer to figure 5-86.)

- 24-15.** Locate, mark, and drill one 0.281-in. diameter hole (40) in left overhead rail (38).
- 24-16.** Route antenna cable (29) through hole (37) in overcab mount (33) and antenna base bracket (35) and connect to antenna (34).
- 24-17.** Install grommet (36) in antenna base bracket (35) and overcab mount (33).
- 24-18.** Secure antenna cable (29) to left overhead rail (38) and antenna base bracket (35) with two loop clamps (41), capscrews (39), lockwashers (42), and nuts (43).
- 24-19.** Route antenna cable (29) down along left overhead rail (38) and secure with loop clamp (41) and existing screw (44).
- 24-20.** Route antenna cable (29) to B-beam.



- 29.** EPLRS ANTENNA CABLE – SM-C-911480 – QTY. 1
36. GROMMET – MS21266-4N – QTY. A/R
39. CAPSCREW – B1821BH025C075N – QTY. 2
41. LOOP CLAMP – MS21333-104 – QTY. 2
42. LOCKWASHER – MS35338-44 – QTY. 2
43. NUT – 9419143 – QTY. 2

Figure 5-86.

- 24-21. Locate, mark, and drill four 0.147-in. holes (47) in left rear wheelhouse (46).
- 24-22. Locate, mark, and drill one 1.875-in. hole (49) in fixed rear door (48).
- 24-23. Locate, mark, and drill three 0.218-in. holes (51) on rear inside lip of left rear seat back support (50).

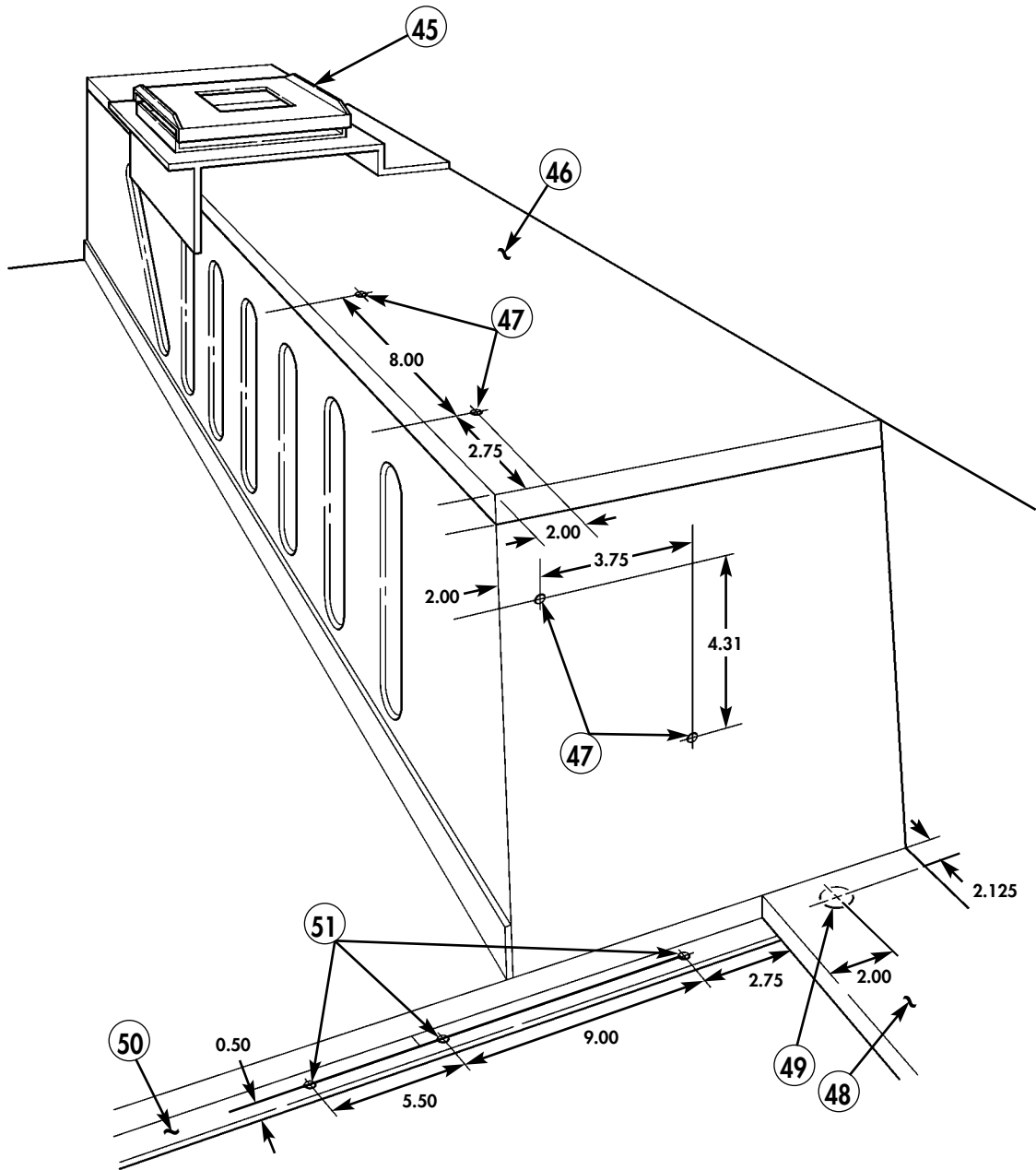
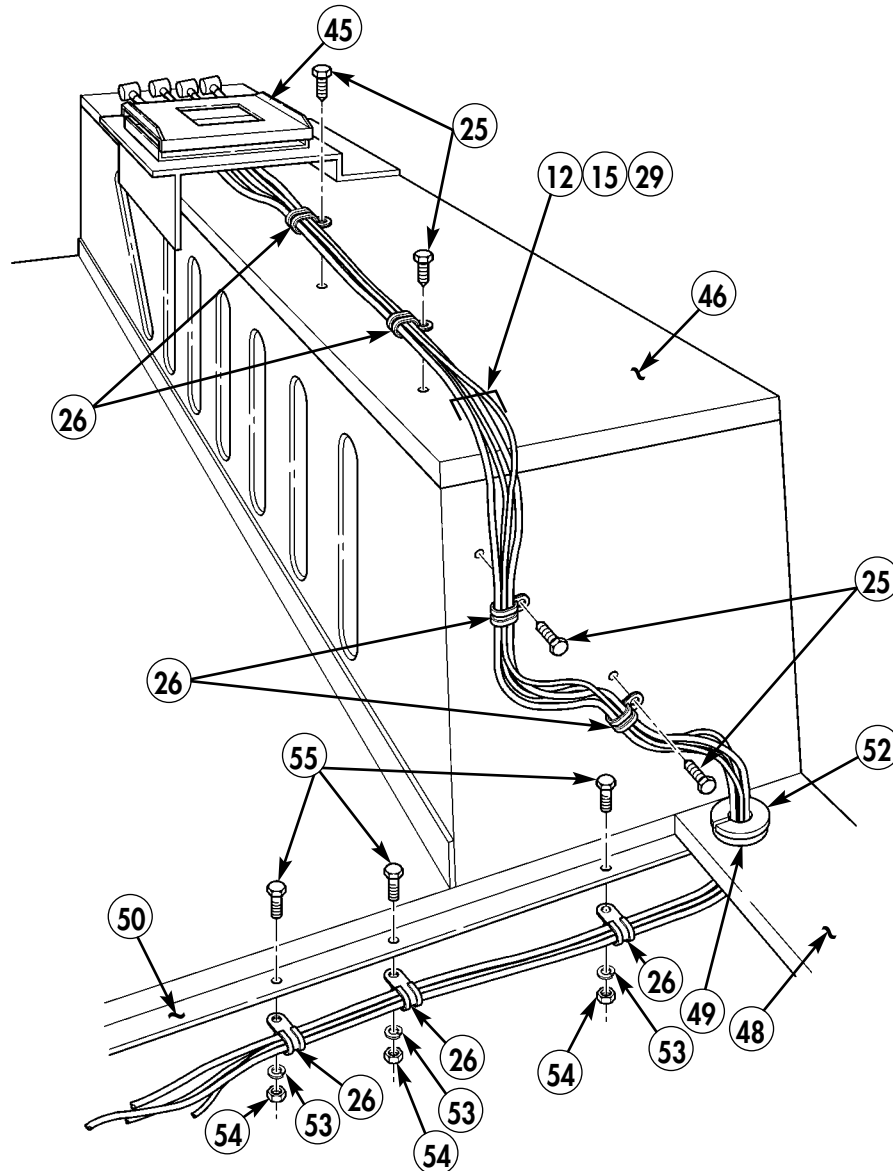


Figure 5-87.

- 24-24. Position grommet (52) in access hole (49).
- 24-25. Route cables (12), (15), and (29) under fixed rear door (48) and along rear perimeter of left rear seat back support (50). Secure with three loop clamps (26), screws (55), lockwashers (53), and plain-assembled nuts (54).
- 24-26. Route cables (12), (15), and (29) through access hole (49) and grommet (52).
- 24-27. Secure cables (12), (15), and (29) to left rear wheelhouse (46) with four clamps (26) and self-tapping screws (25).
- 24-28. Take slack out of cables and store under EPLRS mount assembly (45).
- 24-29. Tighten screws and nuts on clamps.
- 24-30. Secure right-side tunnel insulation. (Refer to TM 9-2320-280-20.)



- 25. SELF-TAPPING SCREW - 9421073 - QTY. 4
- 26. LOOP CLAMP - MS21333-77 - QTY. 7
- 52. GROMMET - MS35489-24 - QTY. 1
- 53. LOCKWASHER - MS35338-43 - QTY. 3
- 54. NUT, PLAIN-ASSEMBLED - 9422771 - QTY. 3
- 55. SCREW - MS35206-265 - QTY. 3

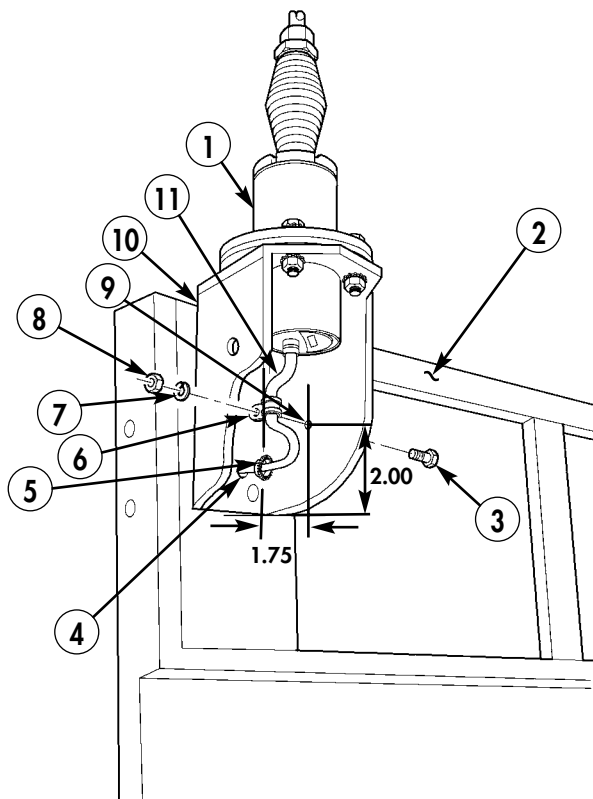
Figure 5-88.

Section XXV. FRONT SINGARS CABLES INSTALLATION (TWO-MAN VEHICLES)

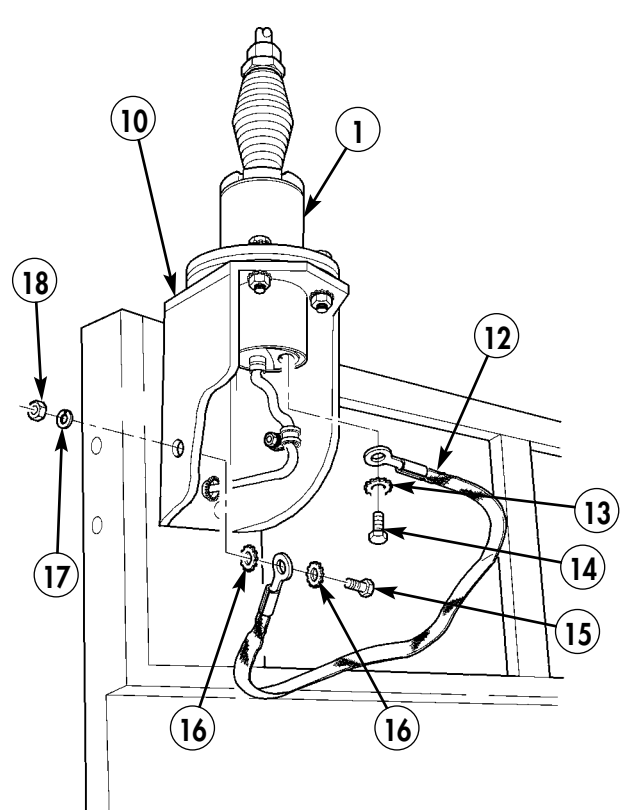
NOTE

Perform following procedures for two-man vehicle configuration only.

- 25-1. Locate, mark, and drill one 0.281-in. hole (9) in side of antenna base bracket (10).
- 25-2. Install grommet (5) in antenna base bracket (10) and overcab mount (2).
- 25-3. Route SINGARS antenna cable (11) through hole (4) in overcab mount (2) and antenna base bracket (10) and connect antenna cable (11) to antenna (1).
- 25-4. Secure antenna cable (11) to antenna base bracket (10) with loop clamp (6), capscrew (3), lockwasher (7), and nut (8).
- 25-5. Connect antenna ground strap (12) to antenna (1) with screw (14) and lockwasher (13).
- 25-6. Connect antenna ground strap (12) to antenna base bracket (10) with screw (15) two lockwashers (16), lockwasher (17), and nut (18).



- 3. CAPSCREW - B1821BH025C075N - QTY. 1
- 5. GROMMET - MS21266-4N - QTY. A/R
- 6. CLAMP, LOOP - MS21333-98 - QTY. 1
- 7. LOCKWASHER - MS35338-44 - QTY. 1
- 8. NUT - 9419143 - QTY. 1
- 11. CABLE, SINGARS
ANTENNA - A3014031-8 - QTY. 1



- 12. GROUND STRAP - N/A - QTY. 1
- 13. LOCKWASHER - N/A - QTY. 1
- 14. CAPSCREW - N/A - QTY. 1
- 15. CAPSCREW - N/A - QTY. 1
- 16. LOCKWASHER - N/A - QTY. 2
- 17. LOCKWASHER - N/A - QTY. 1
- 18. NUT - N/A - QTY. 1

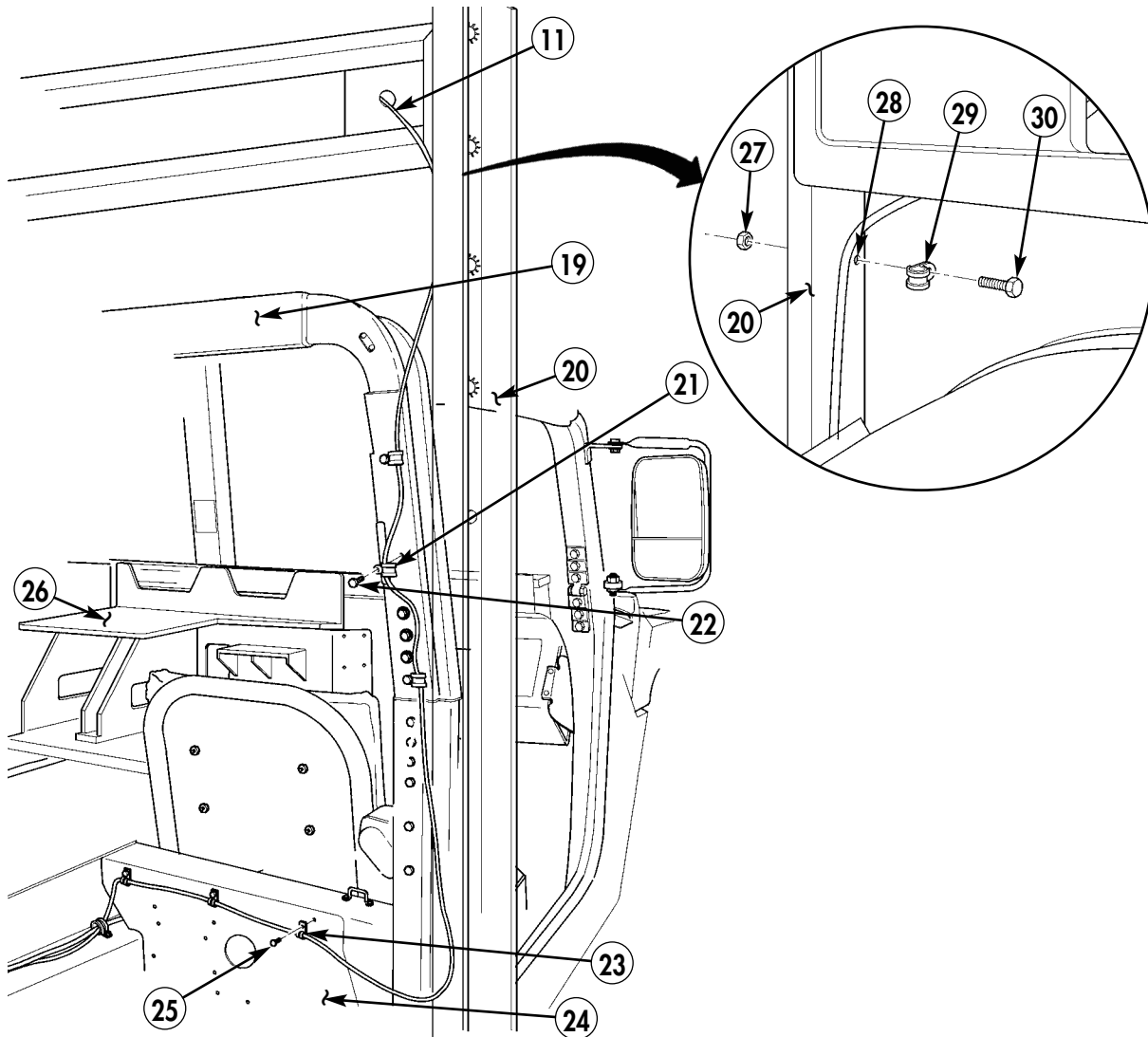
Figure 5-89.

- 25-7. Route SINCGARS antenna cable (11) down B-pillar (19) to cab enclosure panel (24).
- 25-8. Locate, mark, and drill one 0.281-in. hole (28) in right overhead rail (20).
- 25-9. Secure right-side SINCGARS antenna cable (11) to right overhead rail (20) with clamp (29), screw (30), and nut (27).

NOTE

Clamps will be large to accommodate speaker cables installed later.

- 25-10. Secure SINCGARS antenna cable (11) to B-pillar (19) with three clamps (21) and existing screws (22).
- 25-11. Secure SINCGARS antenna cable (11) to cab enclosure panel (24) with three clamps (23) and existing screws (25).
- 25-12. Route SINCGARS antenna cable (11) under integrated rack (26), up through access hole, and to vicinity of SINCGARS mount.



- 21. LOOP CLAMP – MS21333-112 – QTY. 3
- 23. LOOP CLAMP – MS21333-69 – QTY. 3
- 27. NUT – 9419143 – QTY. 1
- 29. LOOP CLAMP – MS21333-98 – QTY. 1
- 30. CAPSCREW – B1821BH025C075N – QTY. 1

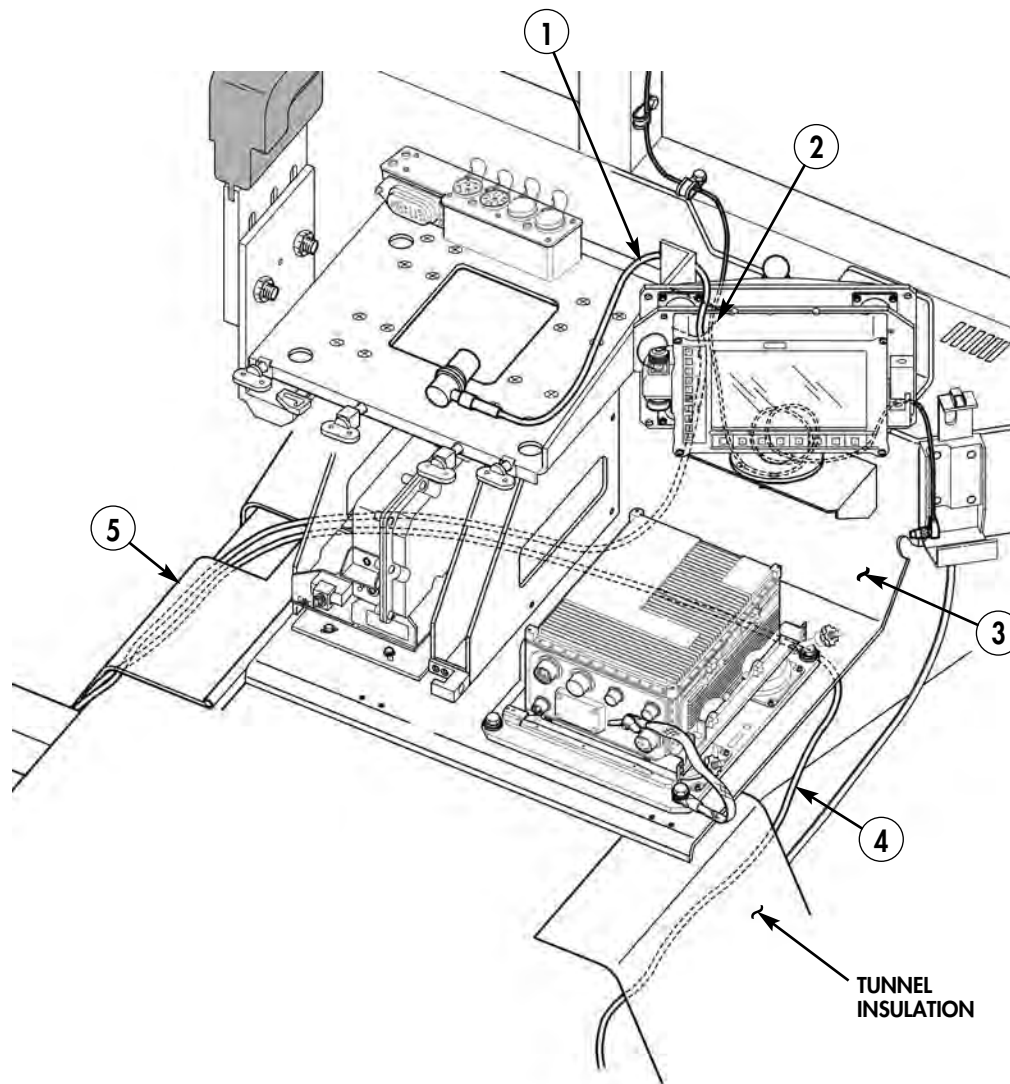
Figure 5-90.

Section XXVI. EPLRS CABLES INSTALLATION (FOUR-MAN VEHICLES)

NOTE

- Loosen tunnel insulation before performing steps 26-1 and 26-2. (Refer to TM 9-2320-280-20.)
- SINCGARS model AN/VRC-92F shown.
- Perform following procedures for four-man vehicle configuration only.

- 26-1.** Route INC-EPUU cable (1) from integrated rack (3), down through center access hole (2), and under left-side tunnel insulation (5) towards rear of vehicle.
- 26-2.** Route power cable (4) from rear battery box, forward and under integrated rack (3), and under left-side tunnel insulation (5) towards rear of vehicle.
- 26-3.** Secure left-side tunnel insulation (5). (Refer to TM 9-2320-280-20.)



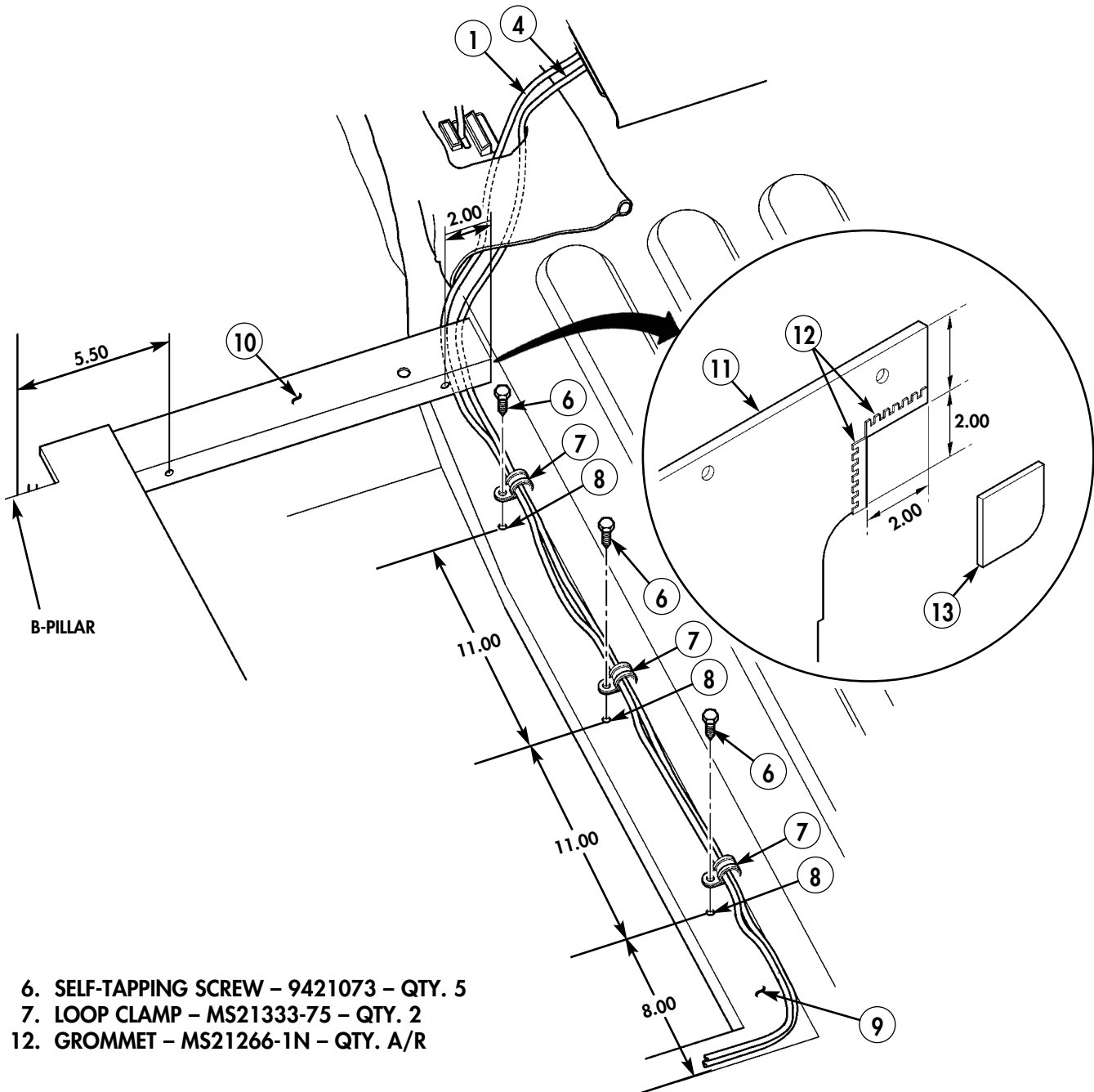
1. INC-EPUU CABLE – A3279383-3 – QTY. 1
4. EPLRS POWER CABLE – A3004939 – QTY. 1

Figure 5-91.

NOTE

Perform step 26-4 for vehicles with left rear cab enclosure panel only.

- 26-4.** Cut 2x2 in. section (13) from left rear cab enclosure panel (11). Install grommet (12) in panel (11). Reinstall cab enclosure panel (11). (Refer to TM 9-2320-280-20.)
- 26-5.** Locate, mark, and drill three 0.147-in. holes (8) along tunnel edge (9).
- 26-6.** Route INC-EPUU cable (1) and power cable (4) rearward under left-side B-beam (10) and along tunnel edge (9).
- 26-7.** Secure INC-EPUU cable (1) and power cable (4) to tunnel edge (9) with three clamps (7) and self-tapping screws (6).

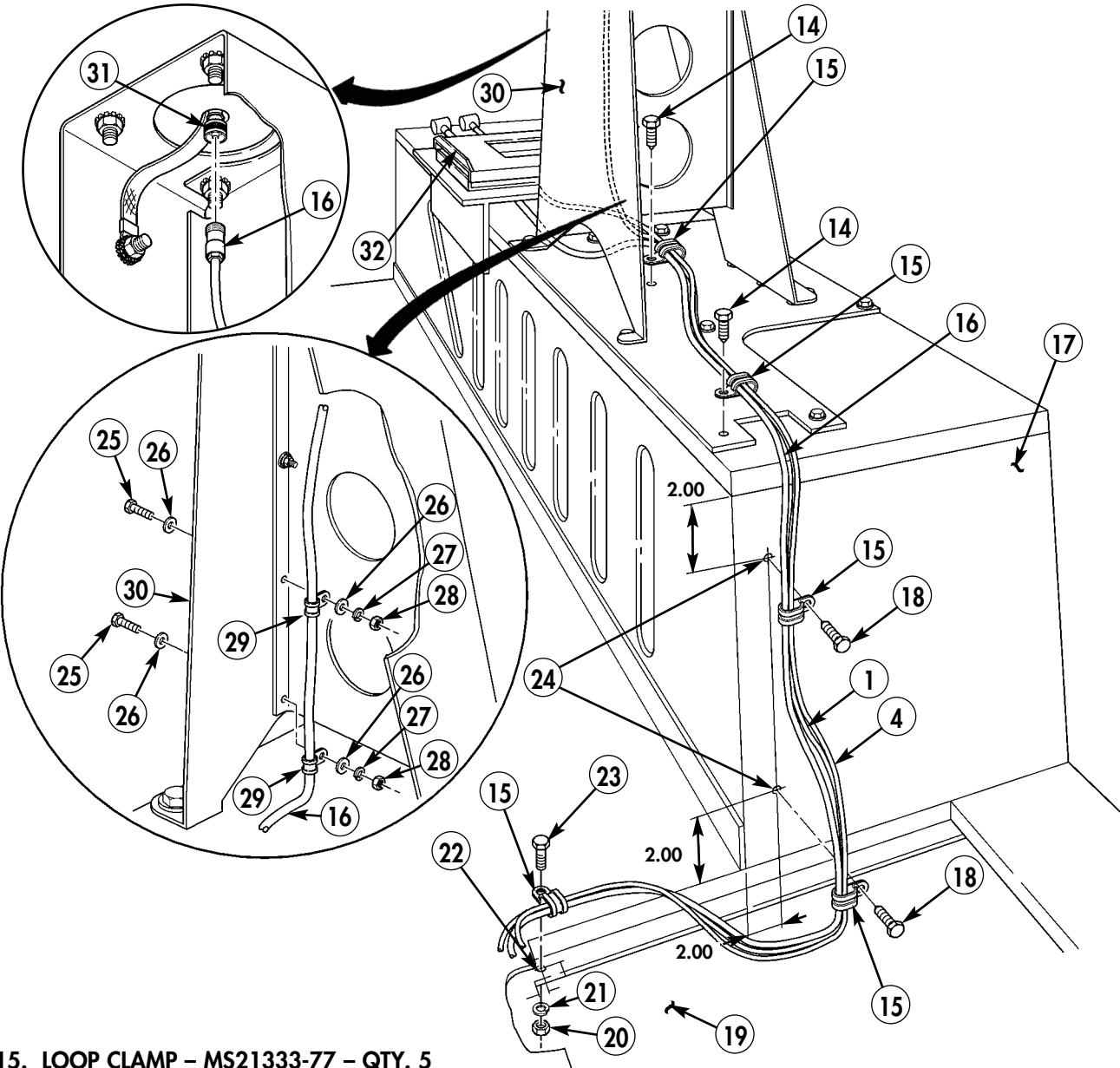


6. SELF-TAPPING SCREW - 9421073 - QTY. 5
 7. LOOP CLAMP - MS21333-75 - QTY. 2
 12. GROMMET - MS21266-1N - QTY. A/R

Figure 5-92.

TB 9-2320-280-35-14

- 26-8.** Locate, mark, and drill one 0.225-in. hole (22) in inboard corner on rear inside lip of left rear seat back support (19).
- 26-9.** Locate, mark, and drill two 0.147-in. holes (24) in front face of left rear wheelhouse (17).
- 26-10.** Route cables (16), (1), and (4) along rear perimeter of left rear seat back support (19), up front face of left rear wheelhouse (17), and under antenna base (30).
- 26-11.** Secure cables (16), (1), and (4) to left rear wheelhouse (17) with screw (23), lockwasher (21), nut (20), two self-tapping screws (18), two existing screws (14), and five loop clamps (15).
- 26-12.** Route cables (1) and (4) to EPLRS mount (32)
- 26-13.** Secure antenna cable (16) to antenna base (30) with two existing loop clamps (29), screws (25), four washers (26), two lockwashers (27), and nuts (28).
- 26-14.** Connect antenna cable (16) to antenna (31).
- 26-15.** Take all slack out of antenna cable (16) and store under EPLRS mount assembly.
- 26-16.** Tighten screws and nuts on all clamps.
- 26-17.** Secure right-side tunnel insulation. (Refer to TM 9-2320-280-20.)



- 15. LOOP CLAMP - MS21333-77 - QTY. 5
- 16. ANTENNA CABLE - SM-C-911480 - QTY. 1
- 18. SELF-TAPPING SCREW - 9421073 - QTY. 2
- 20. NUT, PLAIN-ASSEMBLED - 9422771 - QTY. 1
- 21. LOCKWASHER - MS35338-43 - QTY. 1
- 23. SCREW - MS35206-265 - QTY. 1
- 29. LOOP CLAMP - MS21333-102 - QTY. 2

Figure 5-93.

Section XXVII. RIGHT-SIDE SINGARS PEDESTAL ANTENNA INSTALLATION (FOUR-MAN VEHICLES)

NOTE

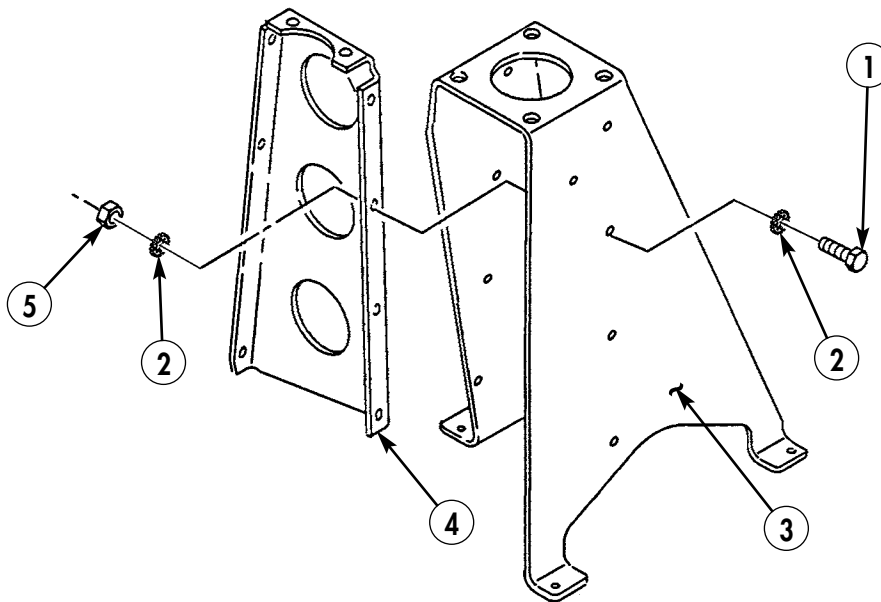
Perform following procedures for four-man vehicle configuration only.

- 27-1.** Assemble antenna mounting bracket (3) and antenna base reinforcement bracket (4) with eight screws (1), sixteen lockwashers (2), and eight nuts (5). Do not tighten nuts (5) at this time.

NOTE

Remove paint or tape from mounting holes.

- 27-2.** Remove paint from vicinity of all mounting holes on both antenna plates, antenna mount assembly, and ground strap. Apply anti-seize compound as required.



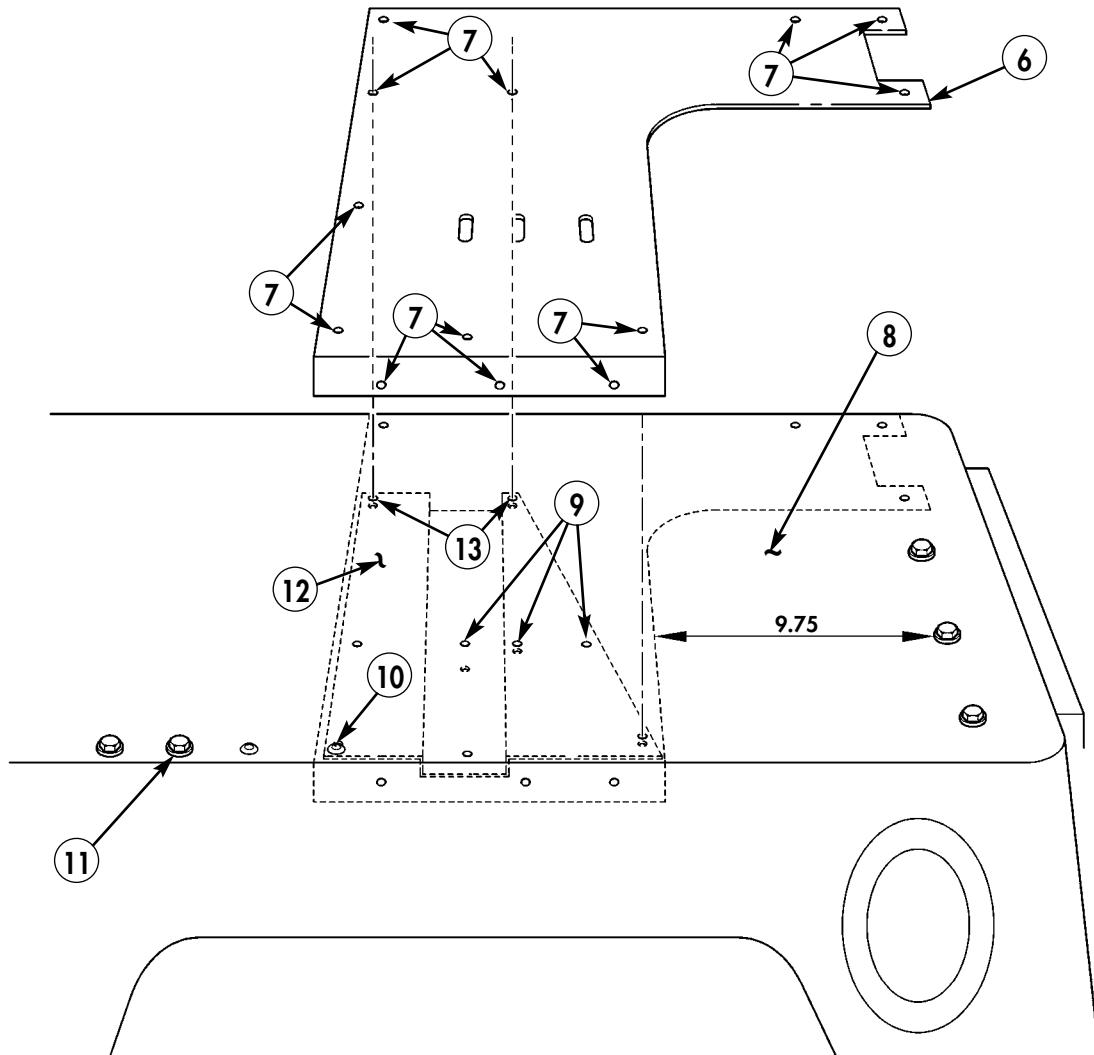
1. SCREW - B1821BH025C100N - QTY. 8
2. LOCKWASHER - MS35338-44 - QTY. 16
3. ANTENNA MOUNTING BRACKET - A3018371-2 - QTY. 1
4. ANTENNA BASE REINFORCEMENT BRACKET - A3018372-2 - QTY. 1
5. NUT - MS51967-2 - QTY. 8

Figure 5-94.

NOTE

- Remove right rear side rail, if necessary. (Refer to TM 9-2320-280-20.)
- Front edge of upper antenna plate should be approximately 9.75 in. from edge of front bolts in wheelhouse.

- 27-3.** Locate screw (11) on right rear wheelhouse (8) and drill out rivet (10) from right rear wheelhouse (8). Enlarge hole to 0.281 in.
- 27-4.** Position support plate (12) underneath left rear wheelhouse (8) and drill two 0.281-in. diameter holes (13).
- 27-5.** Using upper antenna plate (6) as template, locate, mark, and drill thirteen 0.281-in. holes (7) and three 0.408-in. holes (9) in left rear wheelhouse (8).



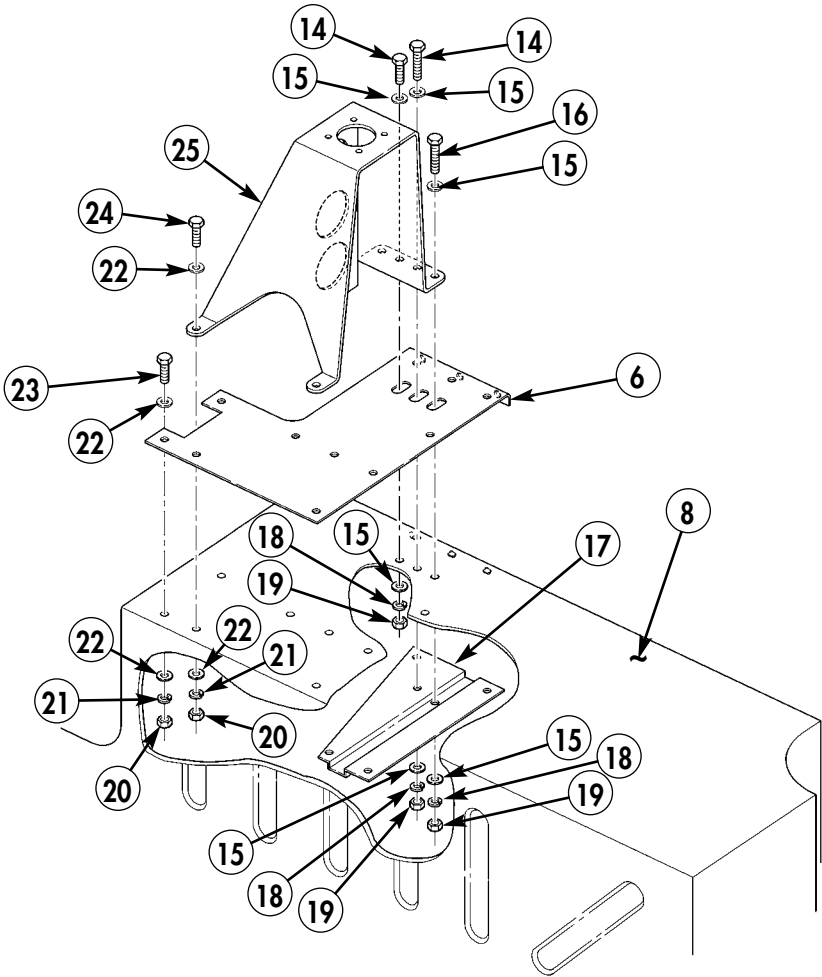
6. ANTENNA PLATE – A3104004-1 – QTY. 1

Figure 5-95.

NOTE

Enlarge hole on antenna mount assembly to accommodate 7/16-in. bolts.

- 27-6.** Install antenna mount assembly (25), upper antenna plate (6), and lower antenna plate (17) on left rear wheelhouse (8) with eleven capscrews (23), twenty-two washers (22), eleven lockwashers (21), and eleven nuts (20).
- 27-7.** Secure antenna mount assembly (25), upper antenna plate (6), and lower antenna plate (17) to left rear wheelhouse (8) with two capscrews (14), four washers (15), two lockwashers (18), and two nuts (19).
- 27-8.** Secure antenna mount assembly (25), upper antenna plate (6), and lower antenna plate (17) to left rear wheelhouse (8) with two capscrews (24), four washers (22), two lockwashers (21), and two nuts (20).
- 27-9.** Secure antenna mount assembly (25), upper antenna plate (6), and lower antenna plate (17) to left rear wheelhouse (8) with one capscrew (16), two washers (15), one lockwasher (18), and one nut (19).



- 14. CAPSCREW – B1821BH044C125N – QTY. 2
- 15. WASHER – 2436163 – QTY. 6
- 16. CAPSCREW – B1821BH044C150N – QTY. 1
- 17. ANTENNA PLATE – A3157619 – QTY. 1
- 18. LOCKWASHER – 120382 – QTY. 3
- 19. NUT – 13218E0320-293 – QTY. 3

- 20. NUT – 9419143 – QTY. 13
- 21. LOCKWASHER – MS35338-44 – QTY. 13
- 22. WASHER – 2436161 – QTY. 26
- 23. CAPSCREW – B1821BH025C100N – QTY. 11
- 24. CAPSCREW – B1821BH025C150N – QTY. 2

Figure 5-96.

NOTE

Perform step 27-10 only if not installing cargo soft-top enclosure; otherwise, start with step 27-11.

- 27-10.** Install antenna (27) and gasket (28) on antenna mount assembly (25) with four capscrews (26), eight lockwashers (33), and four nuts (32).

NOTE

Perform steps 27-11 and 27-12 only when installing cargo soft-top enclosure.

- 27-11.** Install cargo soft-top enclosure (34). (Refer to TM 9-2320-280-10.)

NOTE

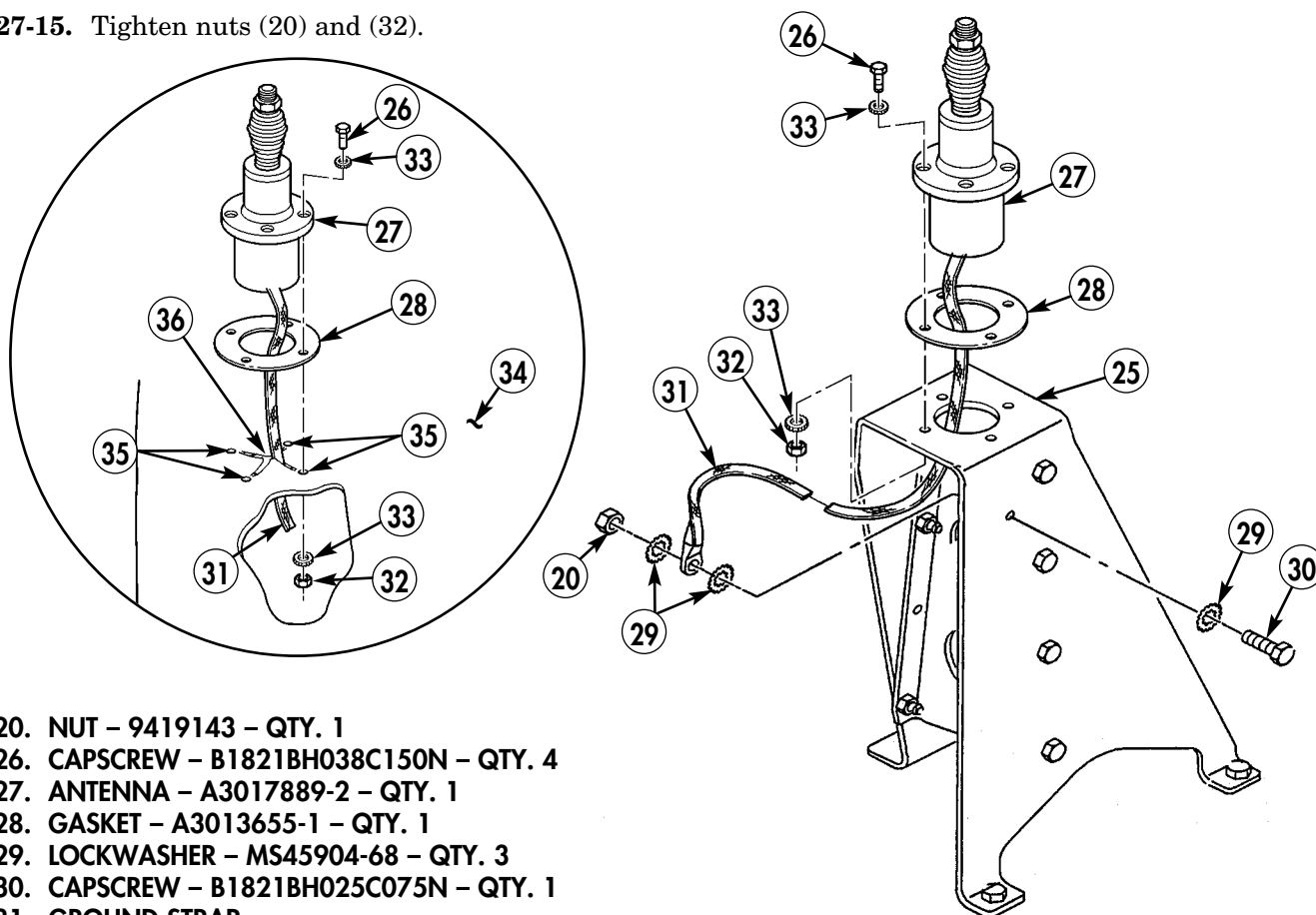
Ensure all slack has been taken out of cargo soft-top enclosure, and that cargo soft-top enclosure has been properly installed.

- 27-12.** Using antenna (27) as template, locate, mark, and drill four 0.375-in. holes (35) and cut "X" (36) in cargo soft-top enclosure (34).

- 27-13.** Install antenna (27) and gasket (28) on antenna mount assembly (25) and cargo soft-top enclosure (34) with four capscrews (26), eight lockwashers (33) and four nuts (32), ensuring that ground strap (31) is inserted through cut hole (36).

- 27-14.** Install ground strap (31) on antenna mount assembly (25) with screw (30), three lockwashers (29), and nut (20).

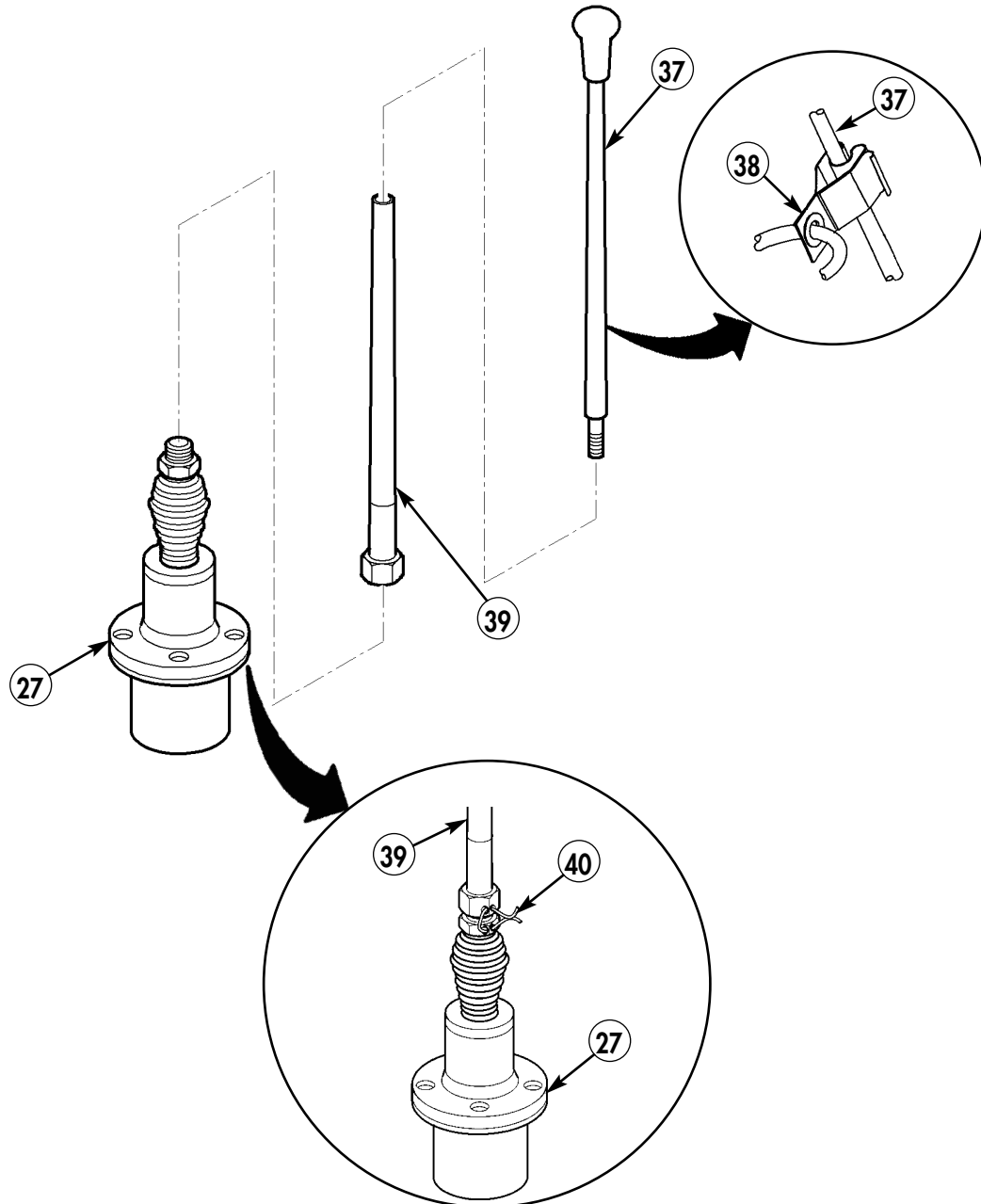
- 27-15.** Tighten nuts (20) and (32).



- 20. NUT - 9419143 - QTY. 1
- 26. CAPSCREW - B1821BH038C150N - QTY. 4
- 27. ANTENNA - A3017889-2 - QTY. 1
- 28. GASKET - A3013655-1 - QTY. 1
- 29. LOCKWASHER - MS45904-68 - QTY. 3
- 30. CAPSCREW - B1821BH025C075N - QTY. 1
- 31. GROUND STRAP
 - BRAIDED WIRE - AA59569F30T0375 - QTY. A/R
 - TERMINAL LUG - MS20659-141 - QTY. 2
- 32. NUT - 13218E0320-293 - QTY. 4
- 33. LOCKWASHER - MS45904-76 - QTY. 8

Figure 5-97.

- 27-16. Attach upper antenna element (37) to lower antenna element (39).
- 27-17. Attach antenna assembly to antenna base (27).
- 27-18. Attach fiber rope assembly (38) to upper antenna element (37).
- 27-19. Secure lower antenna element (39) to antenna base (27) with lockwire (40).



- 37. UPPER ANTENNA ELEMENT – A3017901-2 – QTY. 1
- 38. FIBER ROPE ASSEMBLY – A3167672-1 – QTY. 1
- 39. LOWER ANTENNA ELEMENT – A3018230-1 – QTY. 1
- 40. LOCKWIRE – MS20995C32 – QTY. A/R

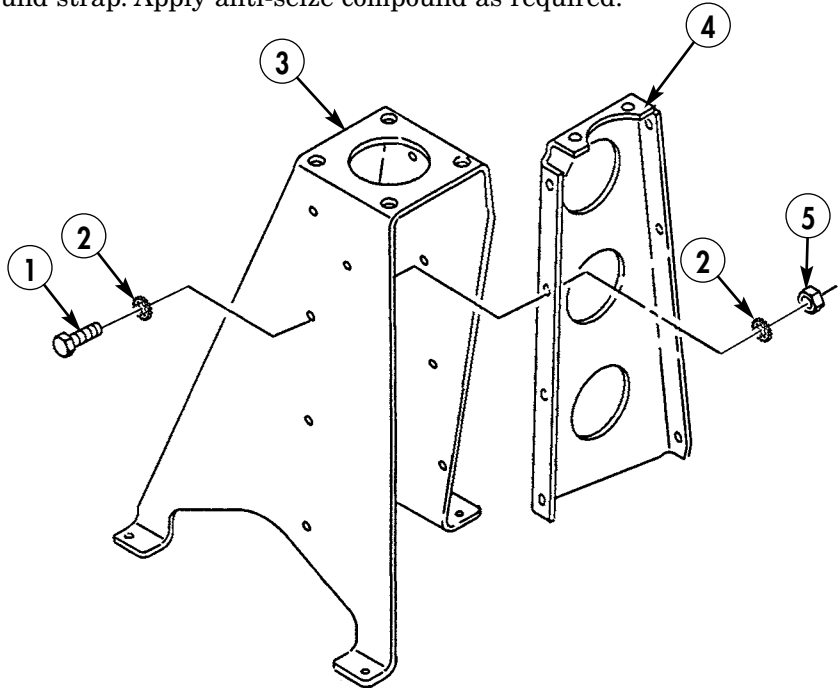
Figure 5-98.

Section XXVIII. LEFT-SIDE EPLRS PEDESTAL ANTENNA INSTALLATION (FOUR-MAN VEHICLES)

NOTE

Perform following procedures for four-man vehicle configuration only.

- 28-1. Assemble antenna mounting bracket (3) and antenna base reinforcement bracket (4) with eight capscrews (1), sixteen lockwashers (2), and eight nuts (5). Do not tighten nuts (5) at this time.
- 28-2. Remove paint from vicinity of all mounting holes on both antenna plates, antenna mount assembly, and ground strap. Apply anti-seize compound as required.



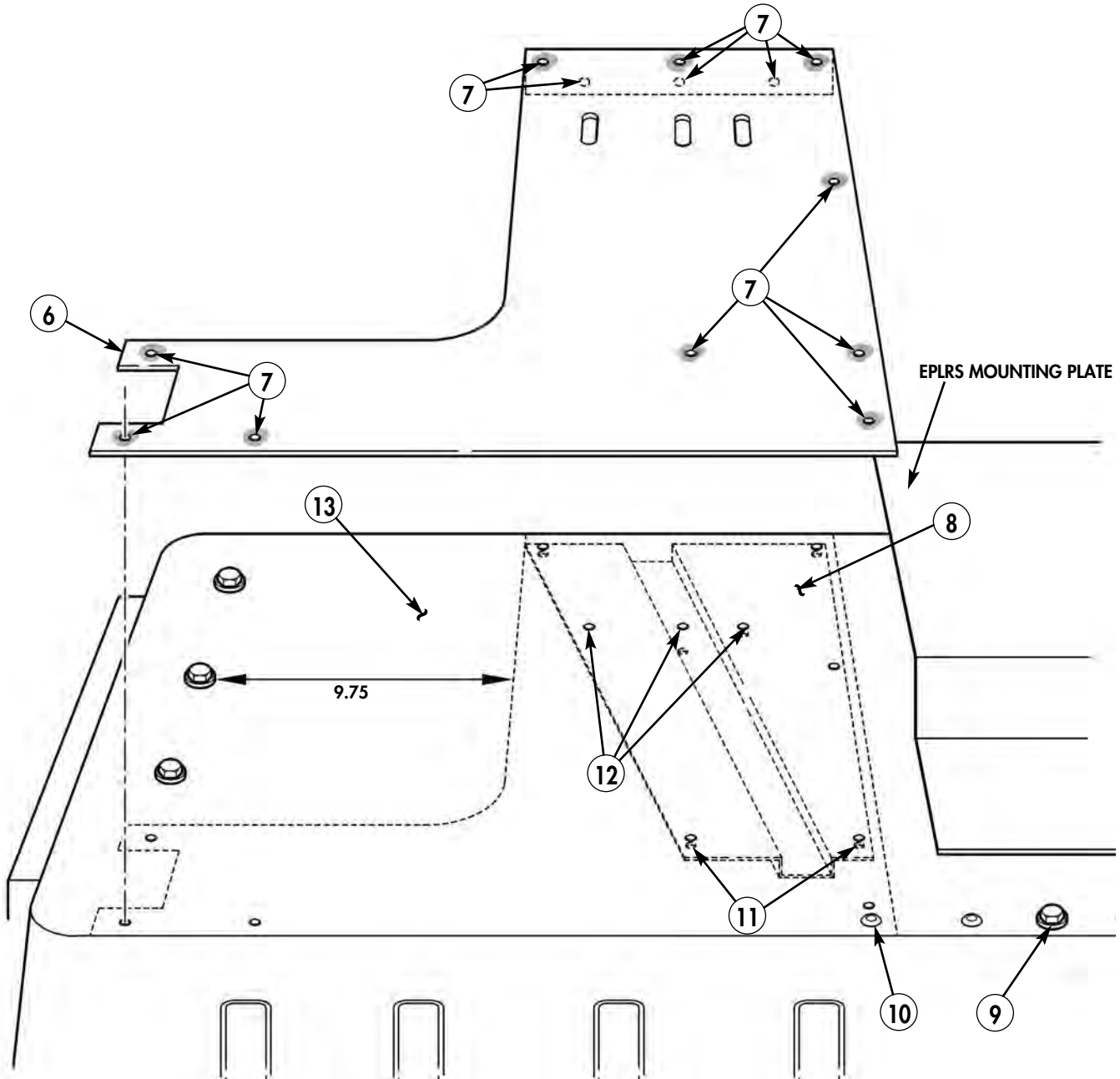
- 1. CAPSCREW – B1821BH025C100N – QTY. 8
- 2. LOCKWASHER – MS35338-44 – QTY. 16
- 3. ANTENNA MOUNTING BRACKET – A3018371-1 – QTY. 1
- 4. ANTENNA BASE REINFORCEMENT BRACKET – A3018372-1 – QTY. 1
- 5. NUT – MS51967-2 – QTY. 8

Figure 5-99.

NOTE

- Remove left rear side rail, if necessary.
(Refer to TM 9-2320-280-20.)
- Front edge of upper antenna plate should be approximately 9.75 in. from edge of front bolts in wheelhouse.

- 28-3.** Locate screw (9) on left rear wheelhouse (13), and drill out rivet (10) from left rear wheelhouse (13). Enlarge hole to 0.281 in.
- 28-4.** Position support plate (8) underneath wheelhouse (13) and drill two 0.281-in. diameter holes (11).
- 28-5.** Using upper antenna plate (6) as template, locate, mark, and drill thirteen 0.281-in. holes (7) and three 0.408-in. holes (12) in left rear wheelhouse (13).



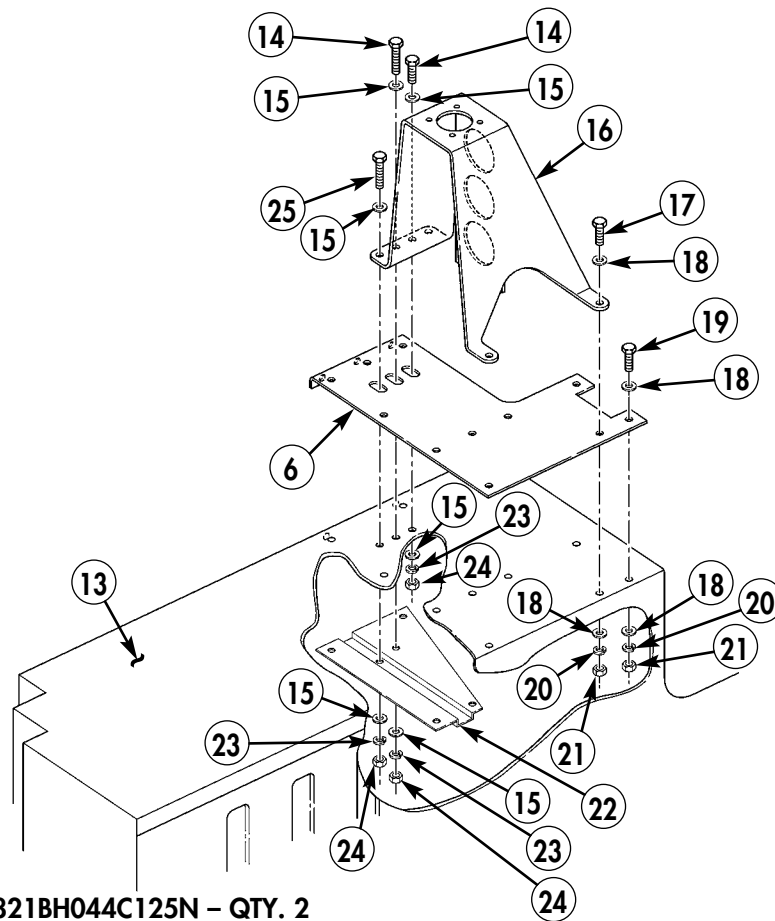
6. ANTENNA PLATE - A3104004-1 - QTY. 1

Figure 5-100.

NOTE

Enlarge hole on antenna mount assembly to accommodate 7/16-in. bolts.

- 28-6. Install antenna mount assembly (16), upper antenna plate (6), and lower antenna plate (22) on left rear wheelhouse (13) with eleven capscrews (19), twenty-two washers (18), eleven lockwashers (20), and eleven nuts (21).
- 28-7. Secure antenna mount assembly (16), upper antenna plate (6), and lower antenna plate (22) to left rear wheelhouse (13) with two capscrews (14), four washers (15), two lockwashers (23), and two nuts (24).
- 28-8. Secure antenna mount assembly (16), upper antenna plate (6), and lower antenna plate (22) to left rear wheelhouse (13) with two capscrews (17), four washers (18), two lockwashers (20), and two nuts (21).
- 28-9. Secure antenna mount assembly (16), upper antenna plate (6), and lower antenna plate (22) to left rear wheelhouse (13) with one capscrew (25), two washers (15), one lockwasher (23), and one nut (24).



- 14. CAPSCREW - B1821BH044C125N - QTY. 2
- 15. WASHER - 2436163 - QTY. 6
- 17. CAPSCREW - B1821BH025C150N - QTY. 2
- 18. WASHER - 2436161 - QTY. 26
- 19. CAPSCREW - B1821BH025C100N - QTY. 11
- 20. LOCKWASHER - MS35338-44 - QTY. 13
- 21. NUT - 9419143 - QTY. 13
- 22. ANTENNA PLATE - A3157619 - QTY. 1
- 23. LOCKWASHER - 120382 - QTY. 3
- 24. NUT - 13218E0320-293 - QTY. 3
- 25. CAPSCREW - B1821BH044C150N - QTY. 1

Figure 5-101.

NOTE

Perform step 28-10 only if not installing cargo soft-top enclosure; otherwise, start with step 28-11.

- 28-10.** Install antenna (33) and gasket (32) on antenna mount assembly (16) with four capscrews (26), eight lockwashers (27), and four nuts (28).

NOTE

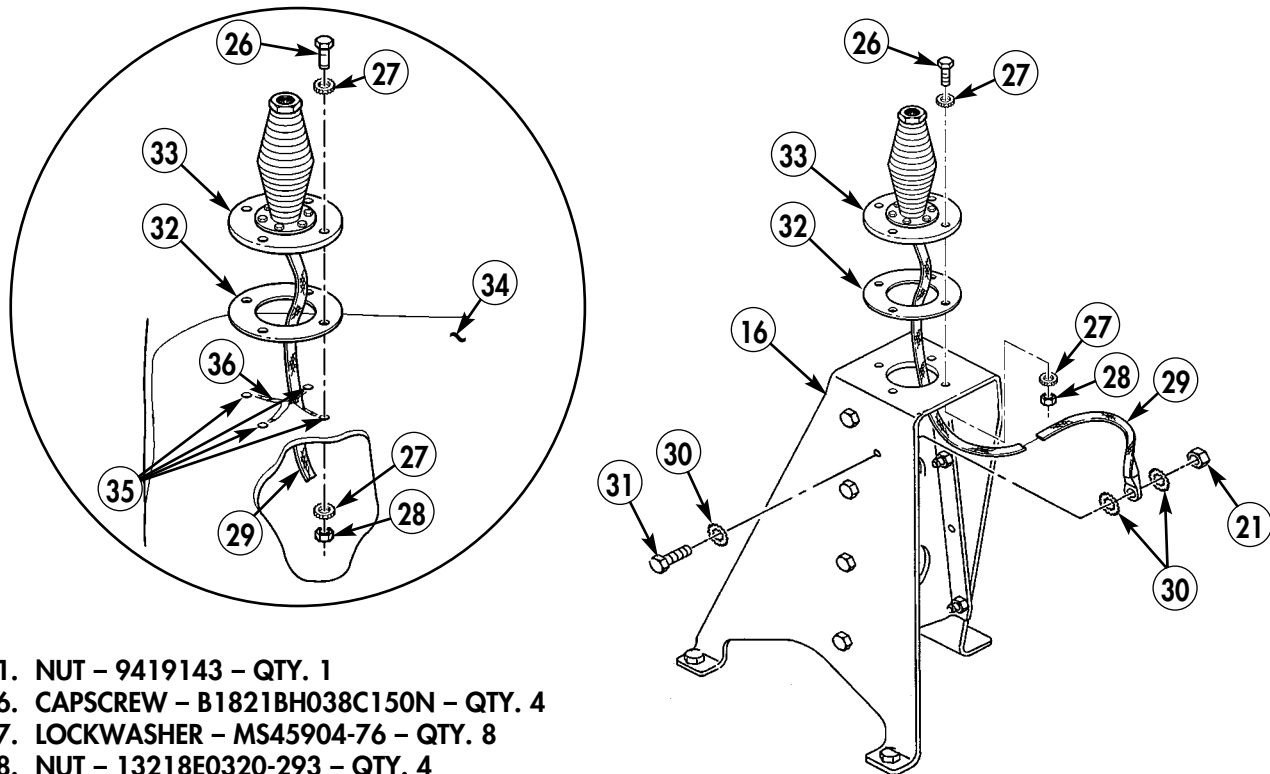
Perform steps 28-11 and 28-12 only when installing cargo soft-top enclosure.

- 28-11.** Install cargo soft-top enclosure (34). (Refer to TM 9-2320-280-10.)

NOTE

Ensure all slack has been taken out of cargo soft-top enclosure, and that cargo soft-top enclosure has been properly installed.

- 28-12.** Using antenna (33) as template, locate, mark, and drill four 0.375-in. holes (35) and cut "X" (36) in cargo soft-top enclosure (34).
- 28-13.** Install antenna (33) and gasket (32) on antenna mount assembly (16) and cargo soft-top enclosure (34) with four capscrews (26), eight lockwashers (27), and four nuts (28), ensuring that ground strap (29) is inserted through cut hole (36).
- 28-14.** Install ground strap (29) on antenna mount assembly (16) with screw (31), three lockwashers (30), and nut (21).
- 28-15.** Tighten nuts (21) and (28).



21. NUT - 9419143 - QTY. 1
 26. CAPSCREW - B1821BH038C150N - QTY. 4
 27. LOCKWASHER - MS45904-76 - QTY. 8
 28. NUT - 13218E0320-293 - QTY. 4
 29. GROUND STRAP
 • BRAIDED WIRE - AA59569F30T0375 - QTY. A/R
 • TERMINAL LUG - MS20659-141 - QTY. 2
 30. LOCKWASHER - MS45904-68 - QTY. 3
 31. CAPSCREW - B1821BH025C075N - QTY. 1
 32. GASKET - A3013655-1 - QTY. 1
 33. ANTENNA - A3005031 - QTY. 1

Figure 5-102.

Section XXIX. SINCGARS ANTENNA CABLES INSTALLATION (FOUR-MAN VEHICLES)

NOTE

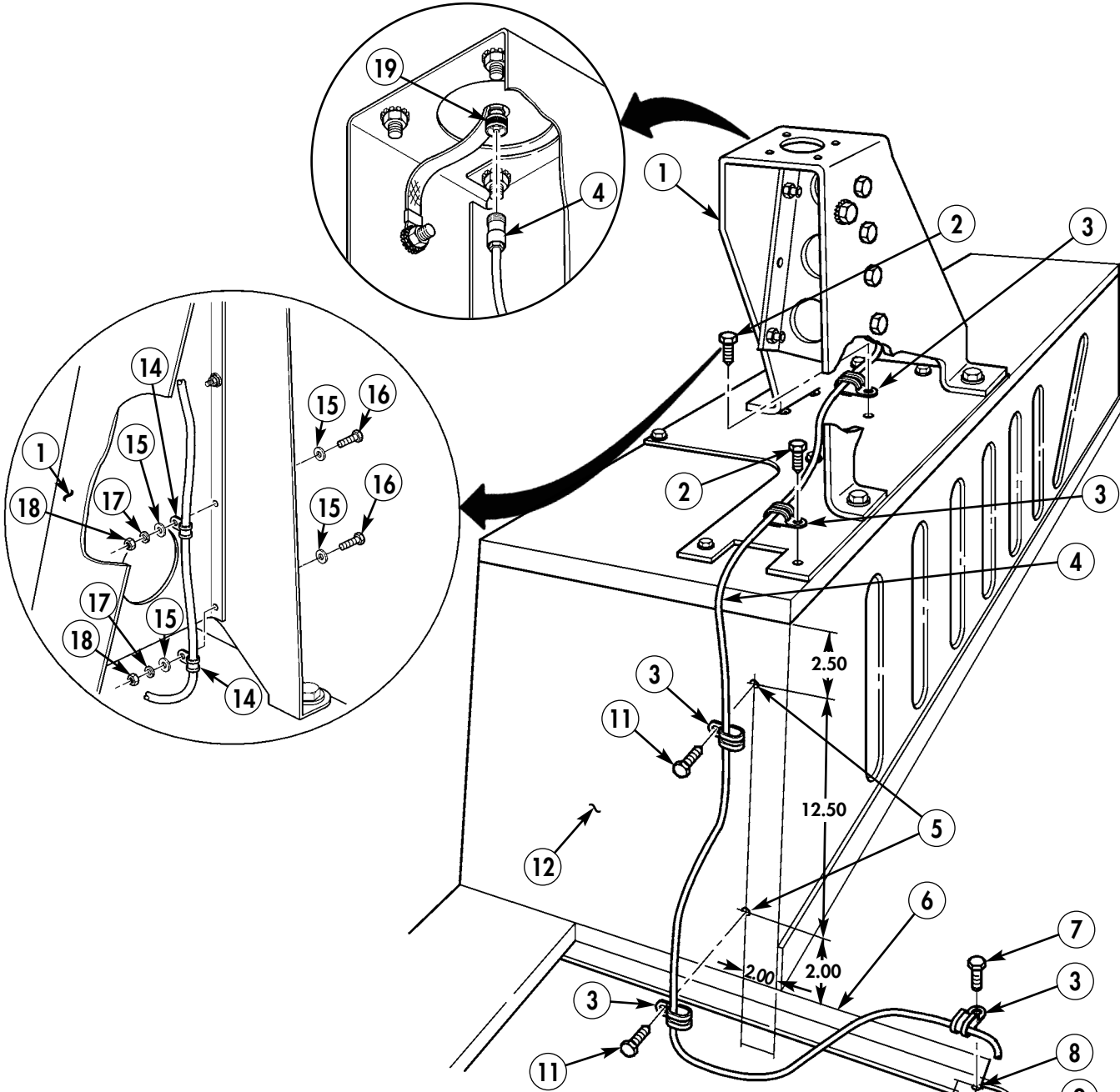
Perform following procedures for four-man vehicle configuration only.

- 29-1. Locate, mark, and drill one 0.225-in. hole (8) in inboard corner on rear inside lip of left rear seat back support (6).
- 29-2. Locate, mark, and drill two 0.147-in. holes (5) in front face of left rear wheelhouse (12).
- 29-3. Route EPLRS antenna cable (4) along rear perimeter of left rear seat back support (6), up front face of left rear wheelhouse (12), and up antenna base (1).

NOTE

Clamps are large to accommodate black charger cable from power entry box in step 29-4.

- 29-4. Secure EPLRS antenna cable (4) to seat back support (6) with screw (7), lockwasher (9), nut (10), two self-tapping screws (11), two existing screws (2), and five loop clamps (3).
- 29-5. Secure antenna cable (4) to antenna base (1) with two loop clamps (14), existing screws (16), four washers (15), two lockwashers (17), and nuts (18).
- 29-6. Connect antenna cable (4) to antenna (19). Route antenna cable (4) through multi-net rack (13) to vicinity of EPLRS mount.
- 29-7. Tighten screws and nuts on all clamps.
- 29-8. Secure right-side tunnel insulation. (Refer to TM 9-2320-280-20.)



- 3. LOOP CLAMP - MS21333-77 - QTY. 5
- 4. ANTENNA CABLE - A3014031-17 - QTY. 1
- 7. SCREW - MS35206-265 - QTY. 1
- 9. LOCKWASHER - MS35338-43 - QTY. 1
- 10. NUT, PLAIN ASSEMBLED - 9422771 - QTY. 1
- 11. SELF-TAPPING SCREW - 9421073 - QTY. 2
- 14. LOOP CLAMP - MS21333-102 - QTY. 2

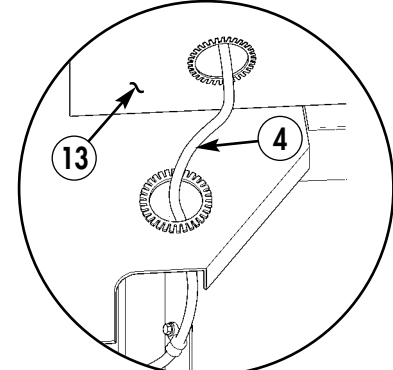


Figure 5-103.

Section XXX. HF 150 WATT RADIO MOUNT INSTALLATION (TWO-MAN VEHICLES)

NOTE

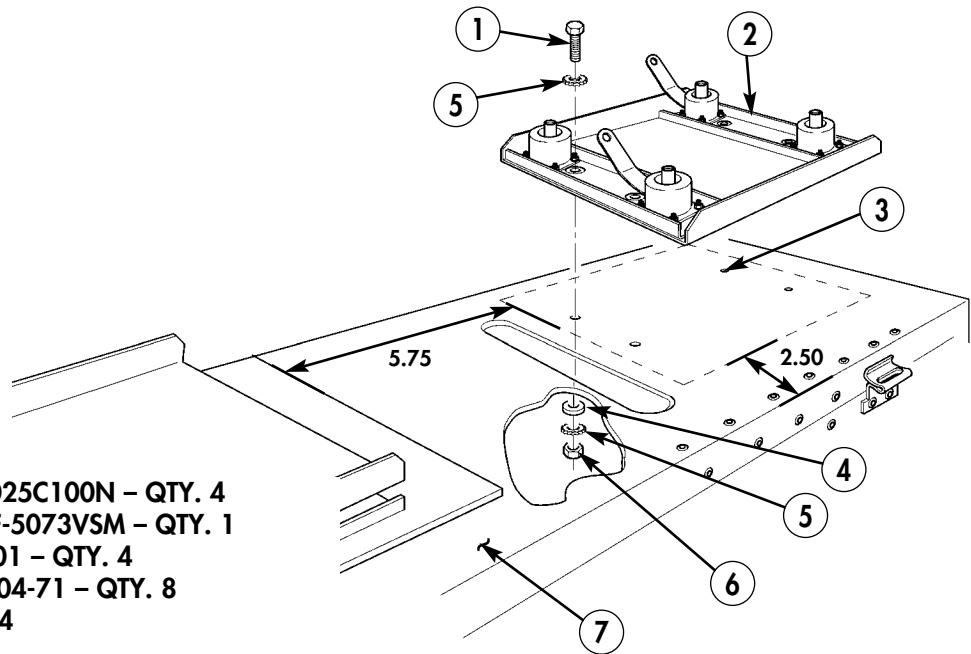
Perform following procedures for two-man vehicle configuration only.

- 30-1. Position R/T mount (2) (RF-5073VSM) on wheelhouse (7).
- 30-2. Remove capscrew (1) and lockwasher (5) from resilient mount (2) and radio mount (8).

NOTE

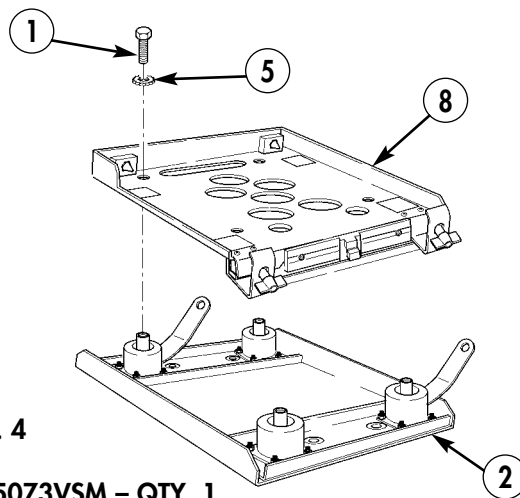
Be sure not to drill through support underneath wheelhouse.

- 30-3. Using resilient mount (2) as template, locate, mark, and drill four 0.281-in. diameter holes (3) in wheelhouse (7).
- 30-4. Install resilient mount (2) on wheelhouse with four capscrews (1), eight lockwashers (5), four spacers (4), and four nuts (6).



- 1. CAPSCREW – B1821BH025C100N – QTY. 4
- 2. R/T RADIO MOUNT – RF-5073VSM – QTY. 1
- 4. SPACER – 10181-5214-01 – QTY. 4
- 5. LOCKWASHER – MS45904-71 – QTY. 8
- 6. NUT – 9419143 – QTY. 4

Figure 5-104.



- 1. CAPSCREW – B1821BH025C062N – QTY. 4
- 5. LOCKWASHER – MS35338-44 – QTY. 4
- 8. R/T RADIO MOUNT TOP HALF – P/O RF-5073VSM – QTY. 1

Figure 5-105.

30-5. Remove two clamps (10), screws (9), washers (12), four nuts (13), and two metal blocks (11) from radio mount (8). Save two clamps (10), screws (9), washers (12), and four nuts (13) for installation; discard two metal blocks (11).

NOTE

Use Loctite 242 or equivalent on existing screws.

30-6. Install locking bar (15) on radio mount (8) with existing screws (14).

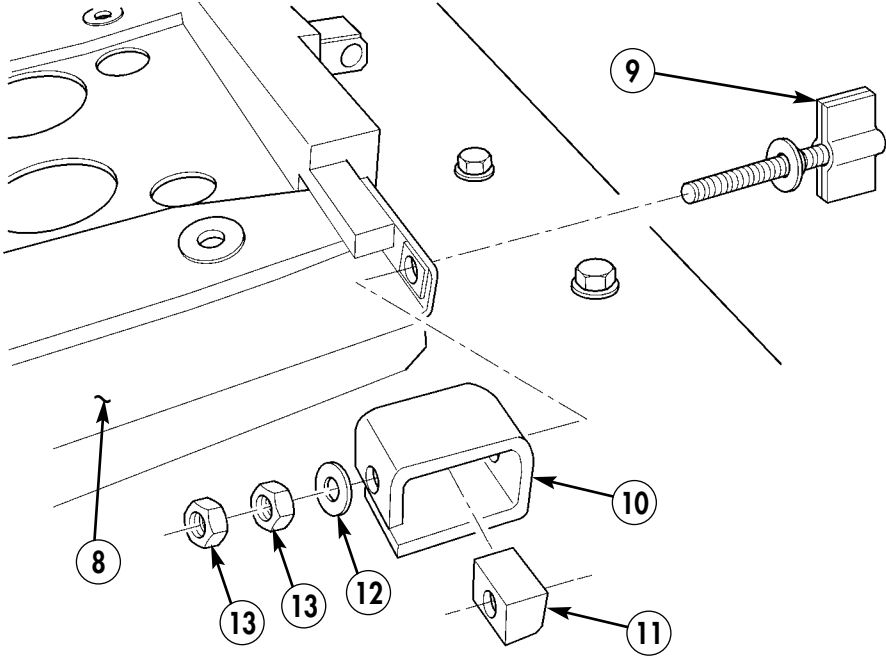
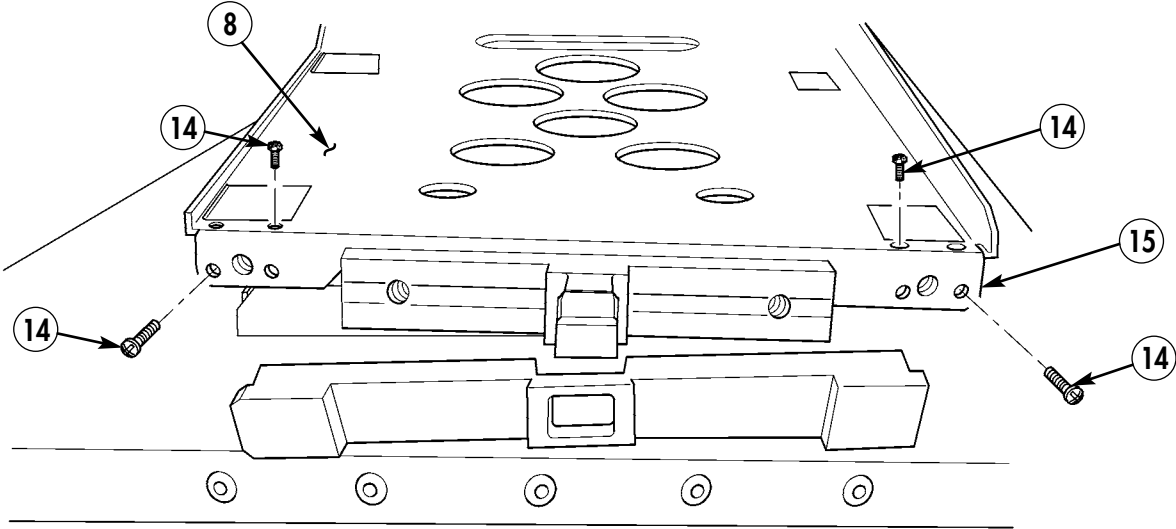


Figure 5-106.



15. LOCKING BAR – 10497-0872-01 – QTY. 1

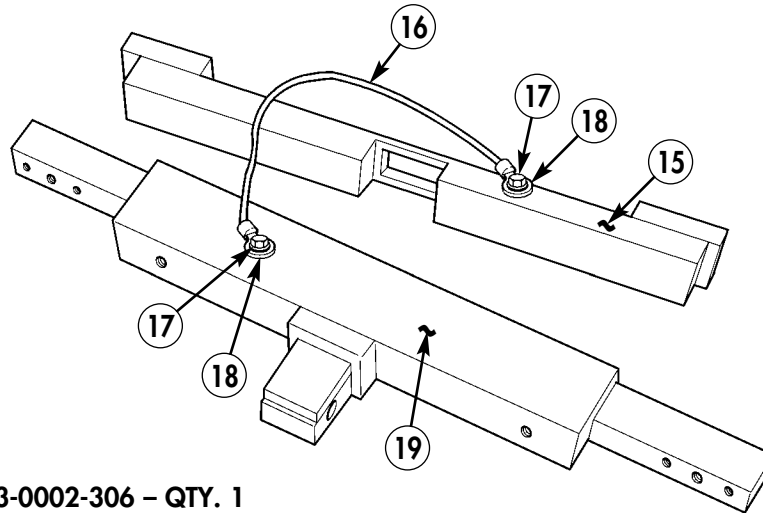
Figure 5-107.

- 30-7.** Install lanyard (16) on locking bar (15) and theft deterrent (19) with existing capscrews (17) and lockwashers (18).

NOTE

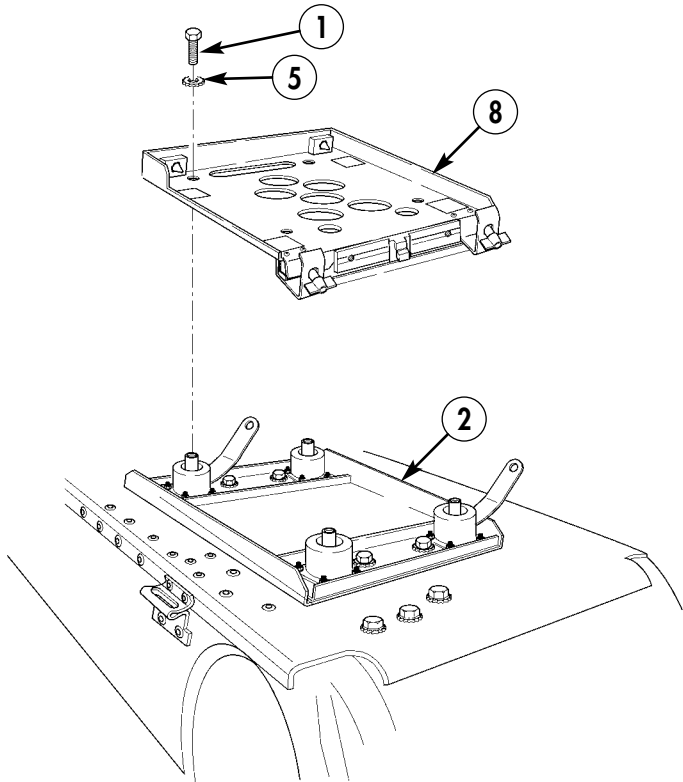
Use Loctite 242 or equivalent on screw.

- 30-8.** Install radio mount (8) on resilient mount (2) with screw (1) and lockwasher (5).



16. LANYARD - Z33-0002-306 - QTY. 1
19. THEFT DETERRENT - 10497-0871-01 - QTY. 1

Figure 5-108.



- 1. SCREW - B1821BH025C062N - QTY. 4
- 5. LOCKWASHER - MS35338-44 - QTY. 4

Figure 5-109.

Section XXXI. HF 150 WATT RADIO MOUNT INSTALLATION (FOUR-MAN VEHICLES)

NOTE

Perform the following procedures for four-man vehicle configuration only.

- 31-1.** Position R/T mount (4) on vehicle floor (5).

WARNING

Do not drill through fuel tank. Damage to equipment or injury or death to personnel may result.

NOTE

Do not drill directly over support beam. There will not be enough space for insert to sit properly.

- 31-2.** Remove capscrew (1) and lockwasher (2) from radio mount (3).

- 31-3.** Separate resilient mount (4) from radio mount (3).

NOTE

Locate resilient mount on vehicle floor with inserts located on second and fourth rib from rear seat on left side.

- 31-4.** Using resilient mount (4) as template, locate, mark, and drill four 0.390 in. diameter holes (6) in vehicle floor (5).

- 31-5.** Install four inserts (7) in vehicle floor (5).

- 31-6.** Install resilient mount (4) on vehicle floor (5) with four capscrews (9) and four lockwashers (8).

- 31-7.** Remove two clamps (11), screws (10), washers (13), four nuts (14), and two metal blocks (12) from radio mount (3). Save two clamps (11), screws (10), washers (10), and four nuts (14) for installation; discard two metal blocks (12).

NOTE

Use Loctite 242 or equivalent on existing screws.

- 31-8.** Install locking bar (16) on radio mount (3) with four existing screws (15).

- 31-9.** Install lanyard (20) on locking bar (16) and theft deterrent (19) with existing capscrews (17) and lockwashers (18).

NOTE

Use Loctite 242 or equivalent on screw.

- 31-10.** Install radio mount (3) on resilient mount (4) with screw (1) and lockwasher (2).

1. CAPSCREW – B1821BH025C062N – QTY. 4
2. LOCKWASHER – MS35338-44 – QTY. 4
3. R/T RADIO MOUNT (TOP HALF) – P/O RF-5073VSM – QTY. 1
4. R/T MOUNT – RF-5073VSM – QTY. 1
7. INSERT – 12446871-2 – QTY. 4
8. LOCKWASHER – MS45904-71 – QTY. 4
9. CAPSCREW – B1821BH025C100N – QTY. 4

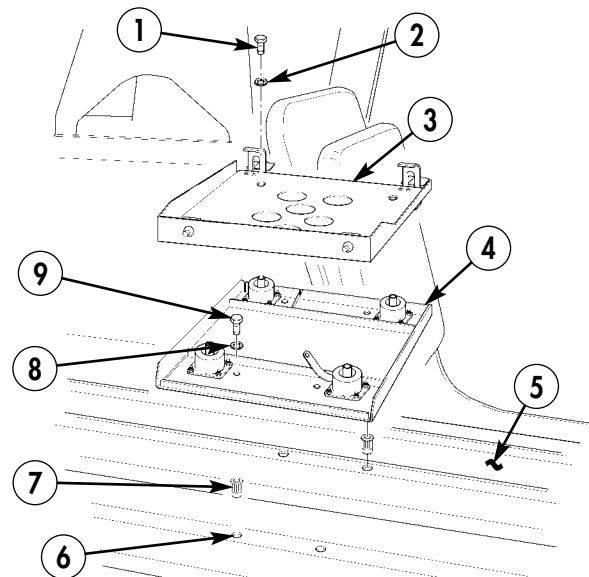


Figure 5-110.

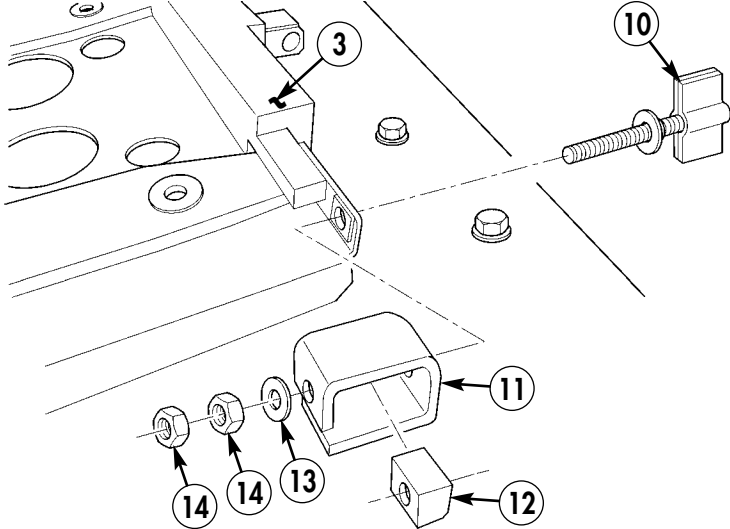
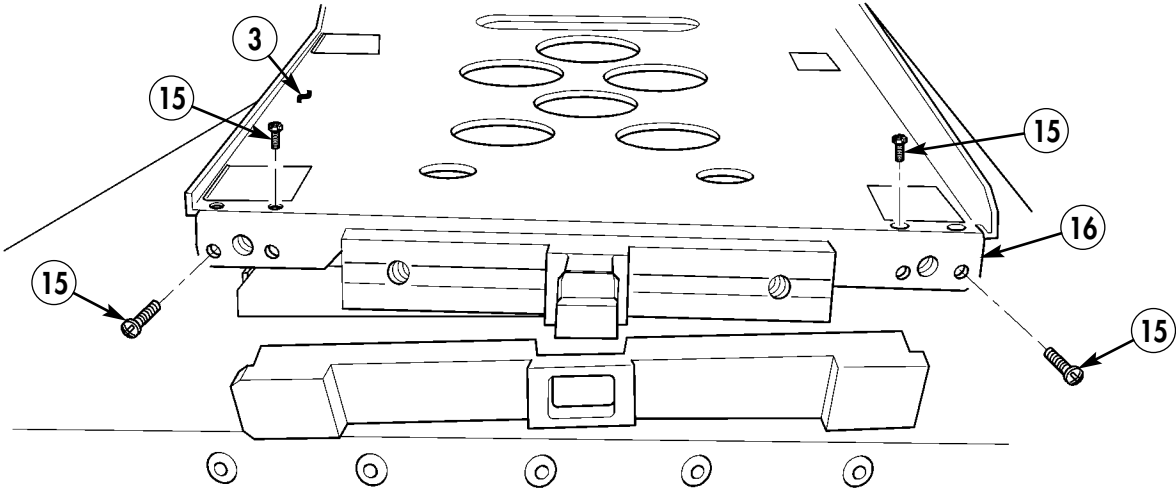
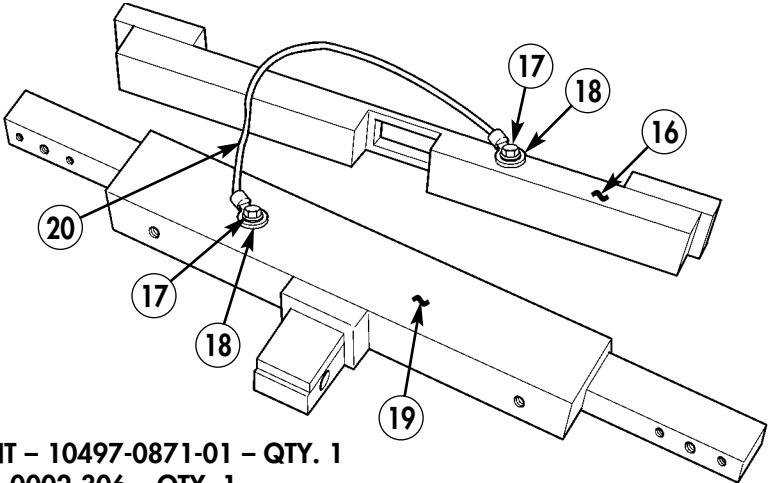


Figure 5-111.



16. LOCKING BAR - 10497-0872-01 - QTY. 1

Figure 5-112.

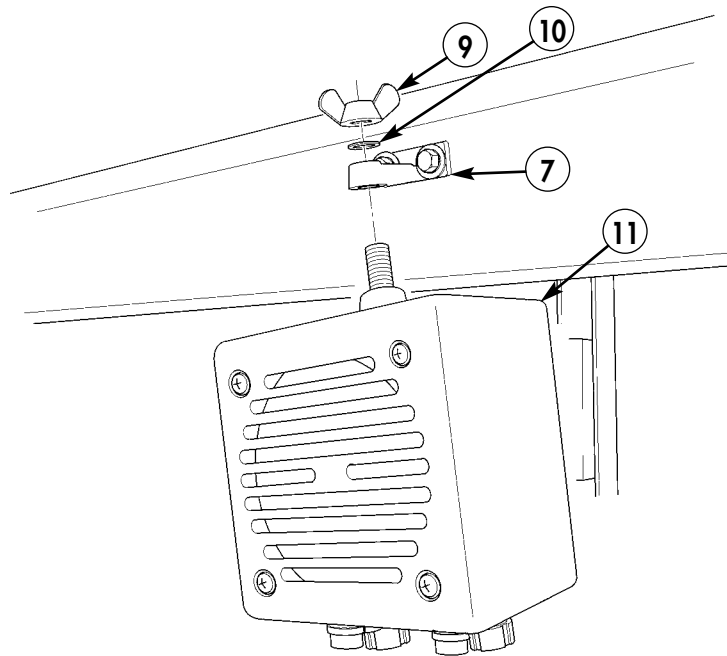
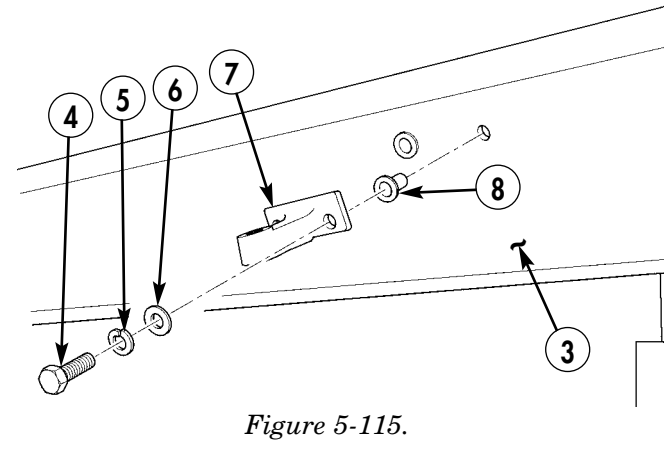
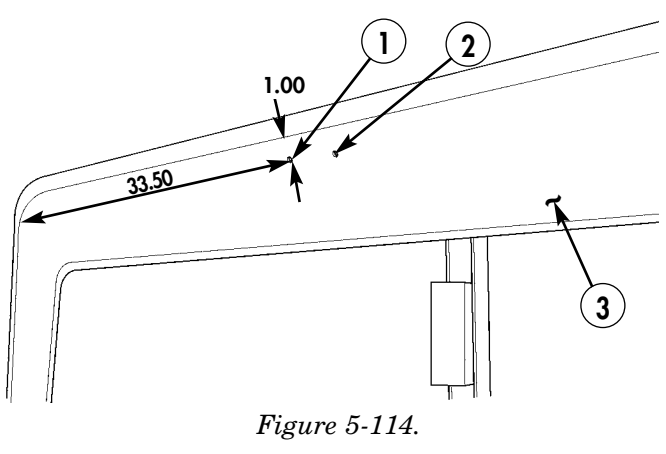


19. THEFT DETERRENT - 10497-0871-01 - QTY. 1
20. LANYARD - Z33-0002-306 - QTY. 1

Figure 5-113.

Section XXXII. LOUDSPEAKER MOUNT INSTALLATION

- 32-1.** Locate, mark, and drill one 0.391-in. diameter hole (1) in B-beam (3).
- 32-2.** Using speaker mounting bracket (7) as template, locate, mark, and drill second 0.391-in. diameter hole (2) in B-beam.
- 32-3.** Install two inserts (8) in B-beam (3).
- 32-4.** Install loudspeaker mounting bracket (7) on B-beam (3) with two capscrews (4), lockwashers (5), and washers (6).
- 32-5.** Install loudspeaker (11) on loudspeaker mounting bracket (7) with existing lockwasher (10) and wingnut (9).



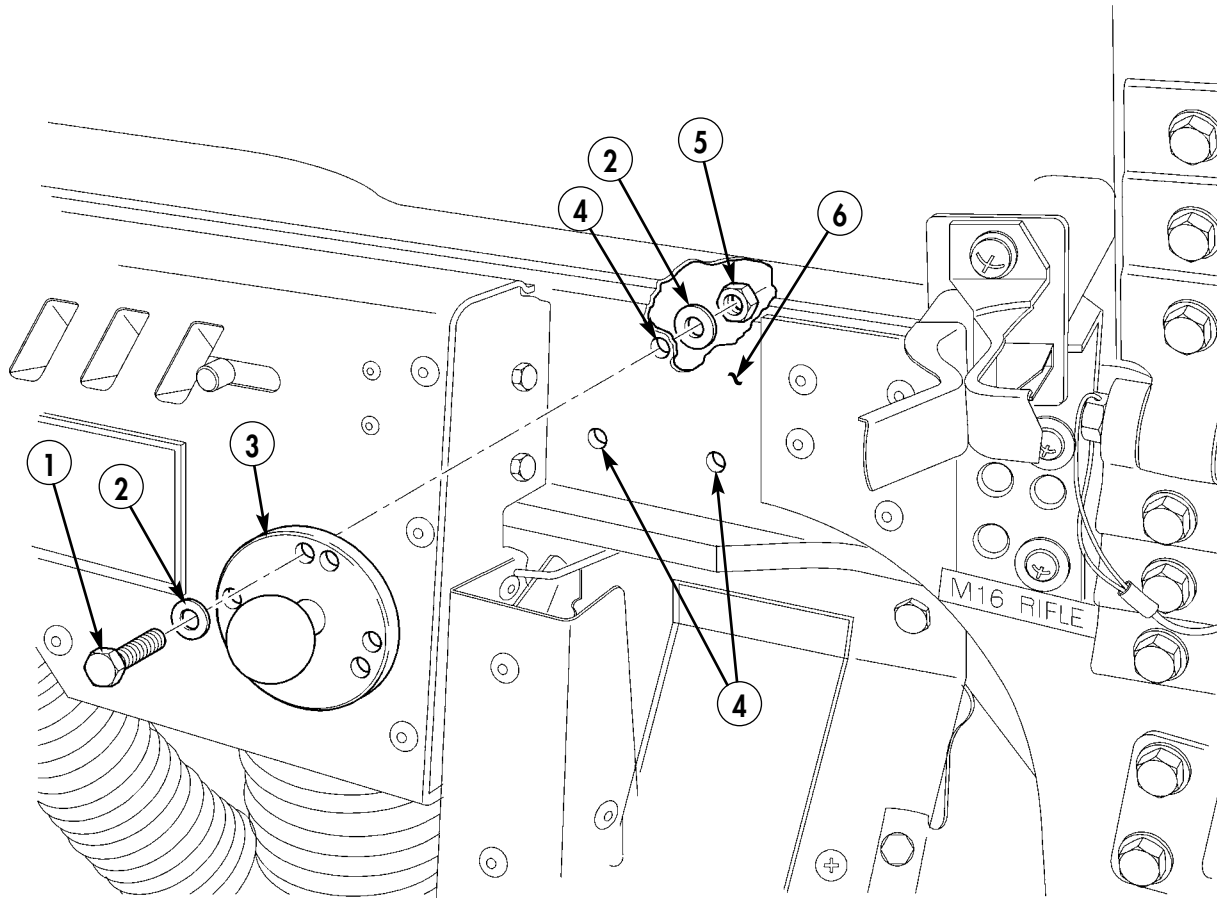
- 4. CAPSCREW – B1821BH025C088N – QTY. 2**
- 5. LOCKWASHER – MS35338-44 – QTY. 2**
- 6. WASHER – MS27183-10 – QTY. 2**
- 8. INSERT – 12446871-2 – QTY. 2**
- 11. SPEAKER – 10181-5180-01 – QTY.1**

Figure 5-116.

Section XXXIII. KEY DISPLAY UNIT (KDU) MOUNT INSTALLATION (TWO-MAN VEHICLES ONLY)**NOTE**

Use triangular tightening sequence to install mini-ramball mount.

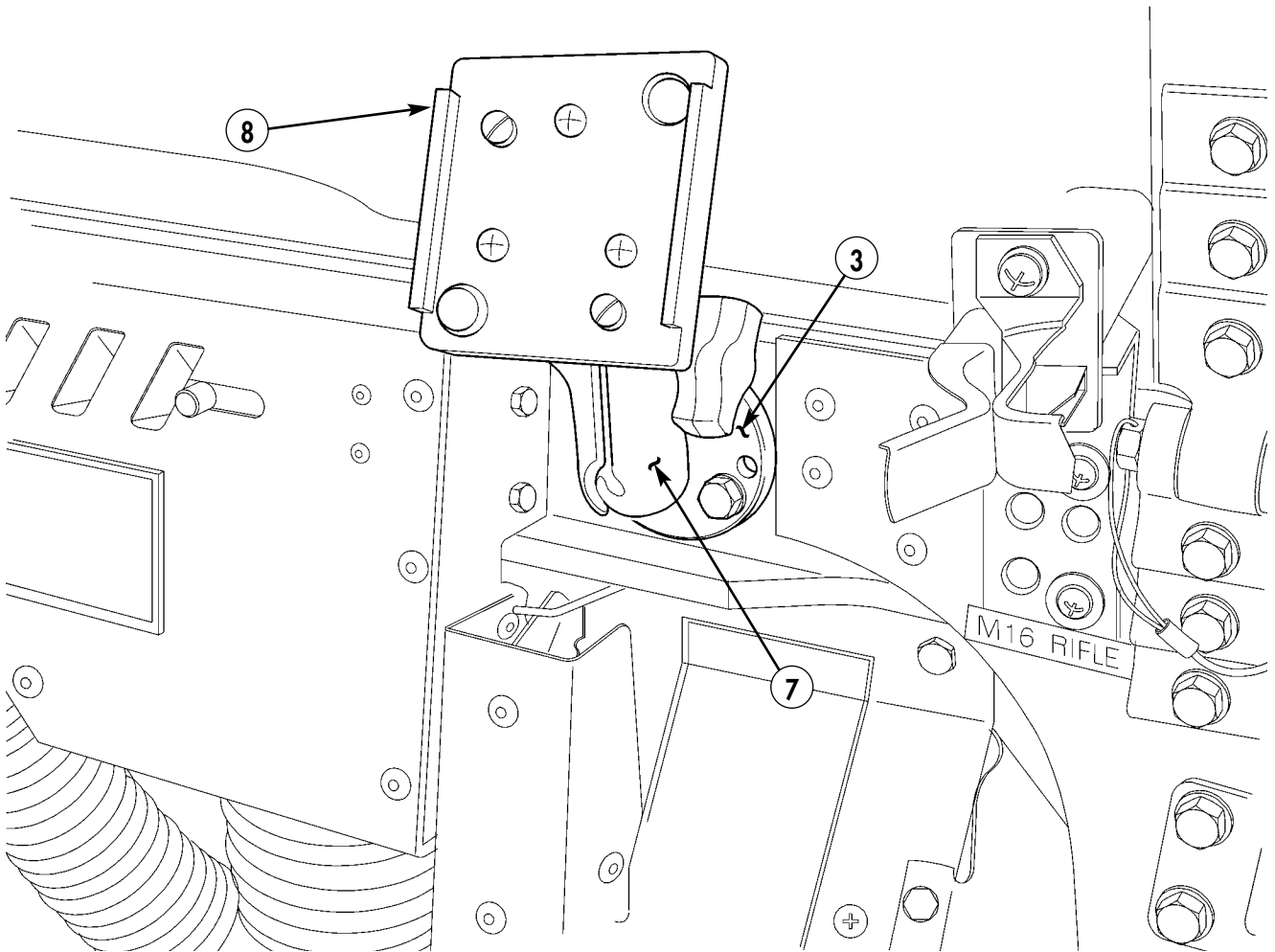
- 33-1.** Using mini-ramball mount base (3) as template, locate, mark, and drill three 0.203-in. diameter holes (4) in dash (6).
- 33-2.** Attach mini-ramball mount base (3) to dash (6) with three existing screws (1), six washers (2), and three locknuts (5).



3. MINI-RAMBALL MOUNT BASE – P/O 11071-0900-04 – QTY. 1

Figure 5-117.

33-3. Attach mini-ramball arm (7) and KDU mounting plate (8) to mini-ramball mount base (3) and secure with attached wingnut.

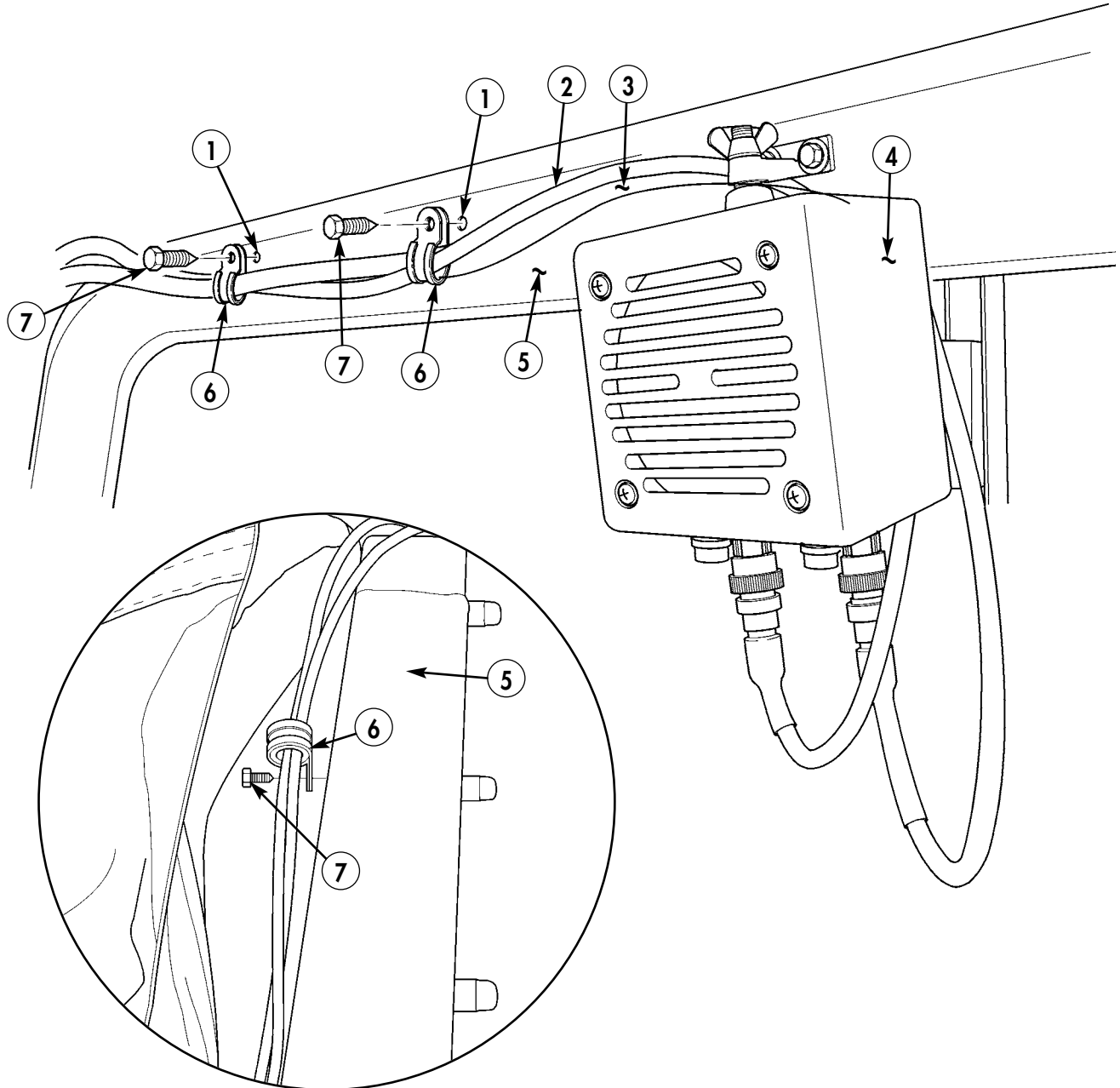


8. KDU MOUNTING PLATE - P/O 11071-0900-04 - QTY. 1

Figure 5-118.

Section XXXIV. HF 150 WATT RADIO CABLES INSTALLATION (TWO-MAN VEHICLES)

- 34-1.** Locate, mark, and drill two 0.147-in. diameter holes (1) in B-pillar (5).
- 34-2.** Route speaker cables (2) and (3) from speaker (4) to B-pillar (5). Secure cables (2) and (3) to B-pillar (5) with three clamps (6) and self-tapping screws (7).



- 2. R/T SPEAKER CABLE – 10535-0707-A020 – QTY. 1**
- 3. SPEAKER POWER CABLE – 10535-0708-A020 – QTY. 1**
- 6. LOOP CLAMP – MS21333-71 – QTY. 3**
- 7. SELF-TAPPING SCREW – 9421073 – QTY. 3**

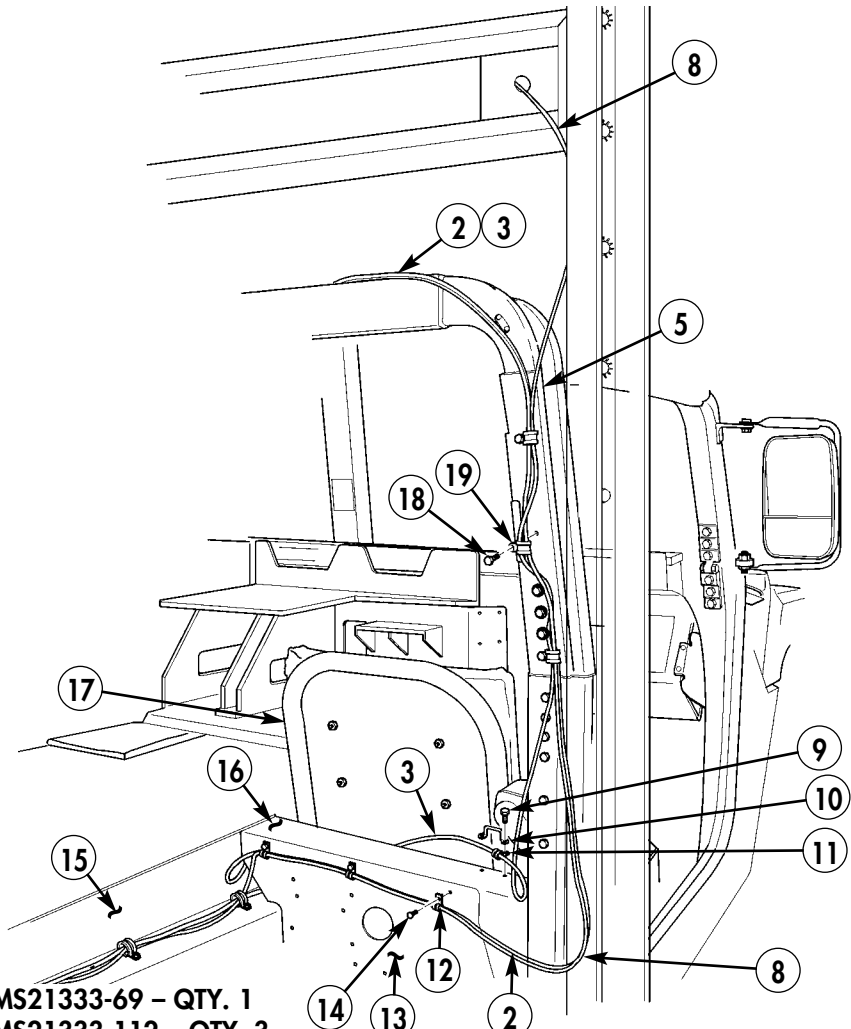
Figure 5-119.

- 34-3.** Route speaker cables (2) and (3) and SINCGARS antenna cable (8) down B-pillar (5) to B-beam (16). Secure cables (2), (3), and (8) to B-beam (5) with three loop clamps (19) and existing screws (18).
- 34-4.** Secure speaker power cable (3) to B-beam (16) with loop clamp (11), existing footman loop (10), and existing screw (9). Route speaker power cable (3) between B-beam (16) and seat (17) to terminal boards.
- 34-5.** Secure speaker cable (2) and SINCGARS antenna cable (8) to cab enclosure panel (13) with three loop clamps (12) and existing screws (14).
- 34-6.** Route speaker cable (2) through tunnel (15).
- 34-7.** Route speaker cable (2) to R/T mount (34).
- 34-8.** Locate, mark, and drill three 0.147-in. holes (23) in left rear wheelhouse (20).
- 34-9.** Locate, mark, and drill one 1.875-in. hole (30) in fixed rear door (29).
- 34-10.** Locate, mark, and drill three 0.219-in holes (24) on rear inside lip of left rear seat back support (25).
- 34-11.** Route coupler PA cable (36) along wheelhouse (20) and through hole (30) in fixed rear door (29).
- 34-12.** Route coupler PA cable (36) back through hole (30) to R/T mount (34).
- 34-13.** Route power cable (35) and KDU cable (33) with existing speaker R/T cable from R/T mount (34), down wheelhouse (20), through hole (30), and into seatwell (28).
- 34-14.** Coil excess cable in seatwell (28).

NOTE

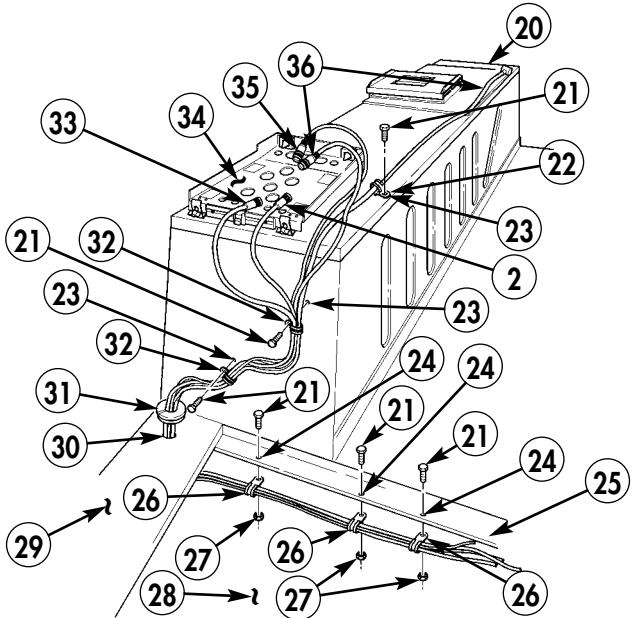
Cut split in grommet to fit cables.

- 34-15.** Position grommet (31) over cables.
- 34-16.** Install grommet (31) in hole (30).
- 34-17.** Route KDU cable (33), speaker cable (2), and power cable (35) along top of wheelhouse (20), down wheelhouse (20) into seatwell (28), along tunnel (15), and through cab enclosure panel (13).
- 34-18.** Secure all cables to left rear wheelhouse (20) with three clamps (22) and (32) and self-tapping screws (21).
- 34-19.** Route all cables under fixed rear door (29) and along perimeter of left rear seat back support (25), and secure with three loop clamps (26), self-tapping screws (21), and plain-assembled nuts (27).



- 11. LOOP CLAMP - MS21333-69 - QTY. 1
- 19. LOOP CLAMP - MS21333-112 - QTY. 3

Figure 5-120.



- 21. CAPSCREW - MS35206-264 - QTY. 3
- 26. LOOP CLAMP - MS21333-74 - QTY. 3
- 27. LOCKNUT - 9422771 - QTY. 3
- 30. GROMMET - MS35489-27 - QTY. 1
- 33. KDU CABLE - 10511-0704-040 - QTY. 1
- 35. POWER CABLE - 10181-9826-020 - QTY. 1
- 36. COUPLER P/A CABLE - 10181-9823-020 - QTY. 1

Figure 5-121.

- 34-20. Secure speaker cable (2), KDU cable (33), and power cable (35) to tunnel (15) with three clamps (38) and self-tapping screws (37).
- 34-21. Route power cable (35) to terminal.
- 34-22. Route KDU cable (33) under tunnel insulation, under integrated rack and through access hole.
- 34-23. Locate, mark, and drill three 0.147-in. diameter holes (40) in plenum (41).
- 34-24. Route KDU cable (33) along plenum (41) to KDU mount.
- 34-25. Secure KDU cable (33) to plenum (41) with three clamps (39) and self-tapping screws (7).

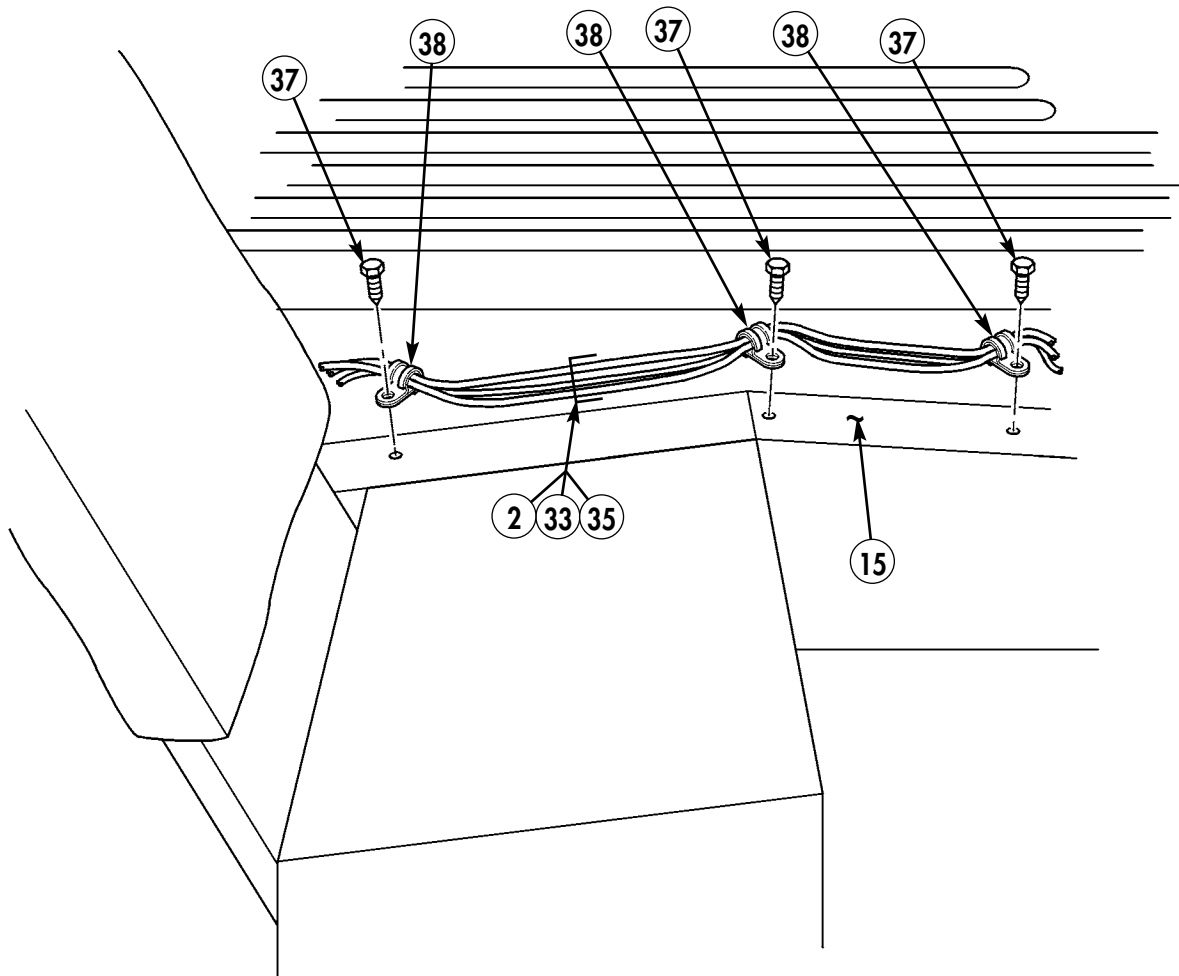
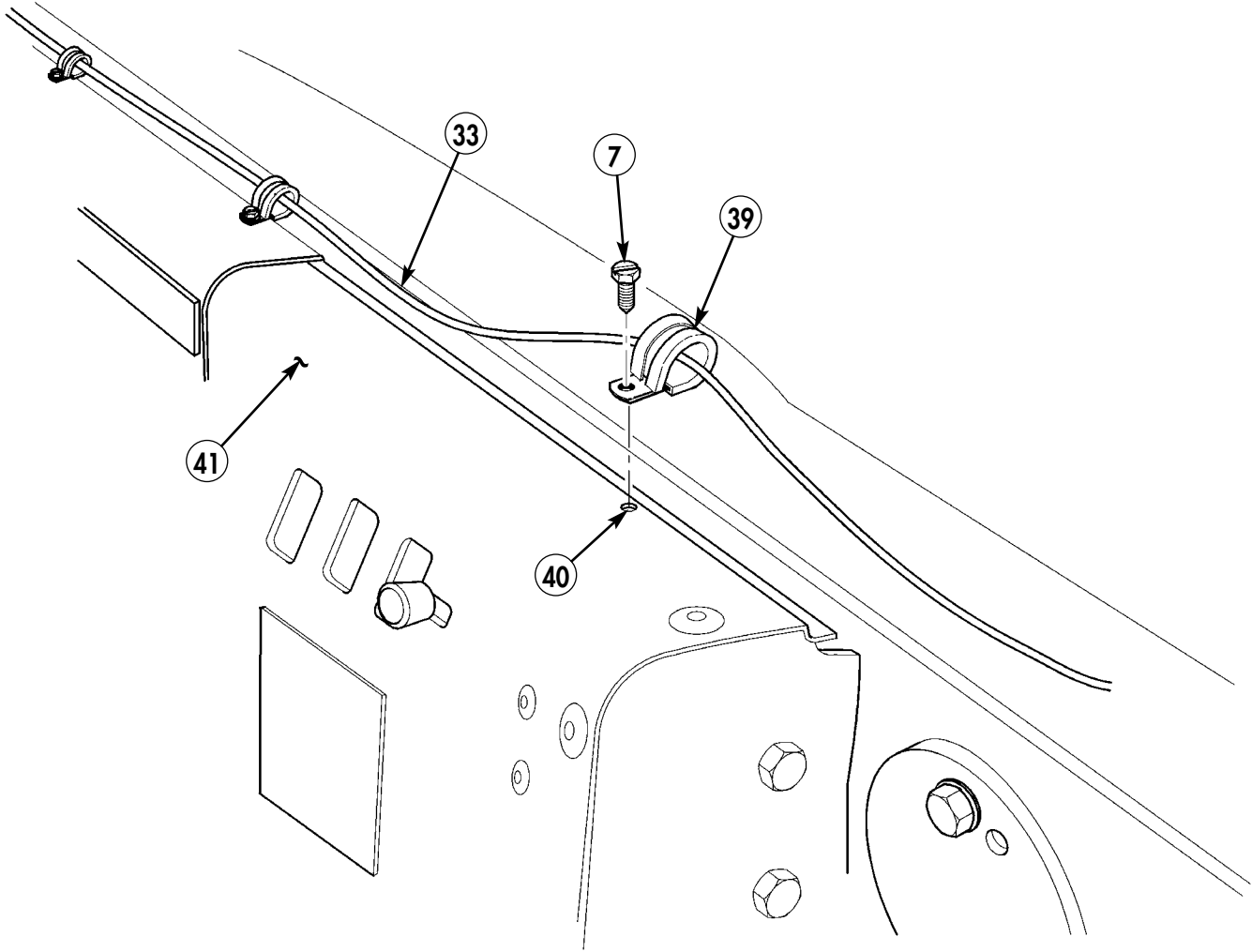


Figure 5-122.



- 7. SELF-TAPPING SCREW - 9421073 - QTY. 3
- 39. LOOP CLAMP - MS21333-66 - QTY. 3

Figure 5-123.

Section XXXV. HF 150 WATT RADIO CABLES INSTALLATION (FOUR-MAN VEHICLES)

NOTE

Perform the following operations for four-man vehicle configuration only.

- 35-1. Route coupler control cable (11) and coupler P/A cable (2) along top of wheelhouse (14).
- 35-2. Enlarge hole in antenna bracket (8) to 0.281-in. diameter.
- 35-3. Secure cables (11) and (2) to wheelhouse (14) with clamp (10), existing screw (9), washer (12) and nut (13).
- 35-4. Route coupler control cable (11), coupler P/A cable (2), and SINCGARS antenna cable (7) under antenna bracket (8), down side of wheelhouse (14) and secure with existing clamps (6) and self-tapping screws (4).
- 35-5. Route coupler control cable (11) and coupler P/A cable (2) along cargo floor (18) to vicinity of HF 150 Watt radio mount (1).
- 35-6. Route power cable (20) from HF 150 Watt radio mount (1) to tunnel (34).
- 35-7. Route power cable (20) along tunnel (34) and secure with three existing clamps (33) and self-tapping screws (32).
- 35-8. Route power cable (20) through cab enclosure panel (31) to terminal boards.
- 35-9. Locate, mark, and drill three 0.147-in. diameter holes (36) in B-pillar (25).
- 35-10. Secure speaker cables (23) and (3) to B-pillar (25) with three clamps (35) and self-tapping screws (4).
- 35-11. Route speaker cables (23) and (3) down B-pillar (25). Secure with three loop clamps (26) and existing capscrews (24).
- 35-12. Route speaker cable (3) along cab enclosure panel (31). Secure with three clamps (29) and existing capscrew (30).
- 35-13. Route speaker cable (3) along tunnel (34) and secure with existing loop clamps (33) and self-tapping screws (32).
- 35-14. Route speaker cable (3) to vicinity of HF 150 Watt radio mount (1).
- 35-15. Route speaker power cable (23) along B-beam (21) and behind seatback (22) to terminal boards. Secure with loop clamp (29), existing footman loop (28), and existing capscrew (27).
- 35-16. Drill two 0.147-in. diameter holes (16) in cargo floor (18).
- 35-17. Secure coupler control cable (11), coupler P/A cable (2), and radio power cable (20) to cargo floor (18) with loop clamp (17) and (19) and self-tapping screws (4).
- 35-18. Route coupler P/A cable (2) to radio mount (1).
- 35-19. Secure coupler control cable (11) and radio power cable (20). Route both cables (11) and (20) to radio mount (1).
- 35-20. Install chaff guard (5) in seatwell area (15) as required.

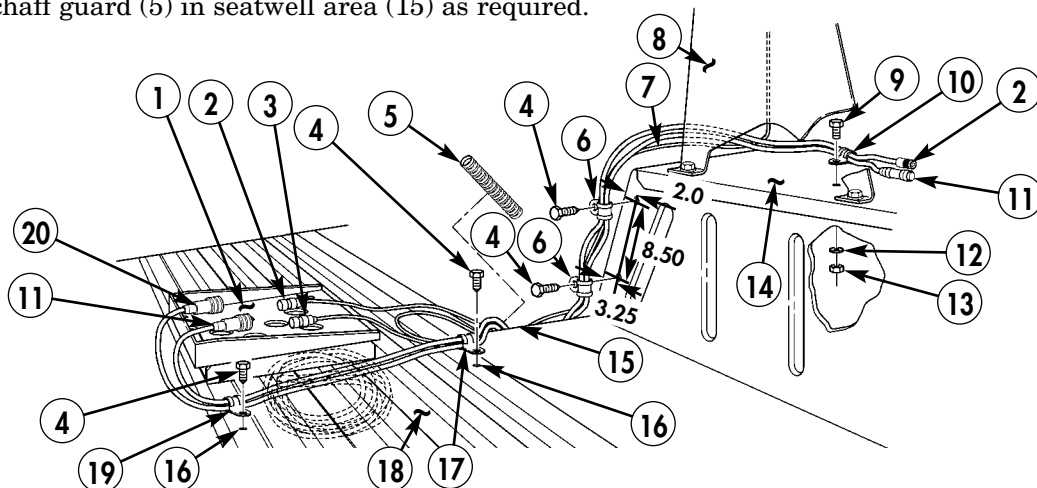


Figure 5-124.

- 2. COUPLER P/A CABLE - 10181-9824-020 - QTY. 1
- 4. SELF-TAPPING SCREW - 9421073 - QTY. 4
- 5. CHAFF GUARD - N/A - QTY. A/R
- 6. LOOP CLAMP - MS21333-79 - QTY. 2
- 11. COUPLER CONTROL - 10181-9823-020 - QTY. 1
- 17. LOOP CLAMP - N/A - QTY. 1
- 19. LOOP CLAMP - N/A - QTY. 1
- 20. POWER CABLE - 10181-9826-020 - QTY. 1
- 23. SPEAKER POWER CABLE - 10535-0708-A020 - QTY. 1
- 25. R/T SPEAKER CABLE - 10535-0707-A020 - QTY. 1
- 26. LOOP CLAMP - MS21333-112 - QTY. 3
- 29. LOOP CLAMP - MS21333-69 - QTY. 4

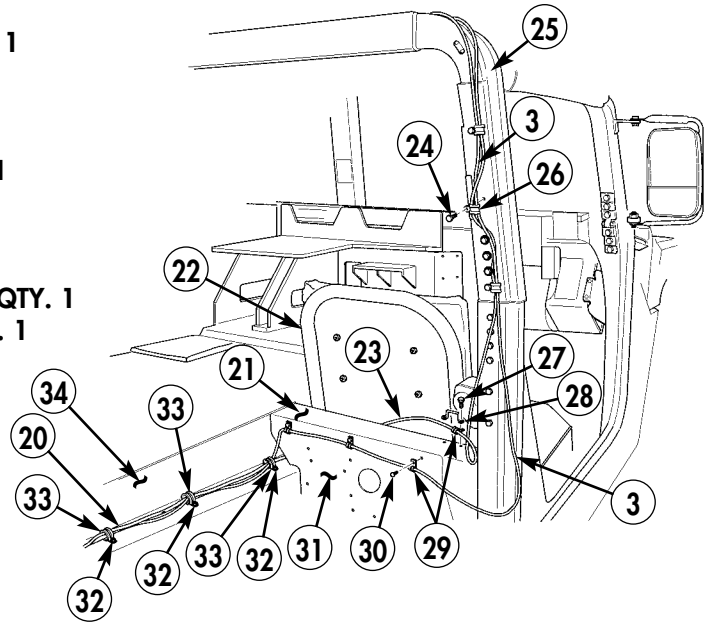
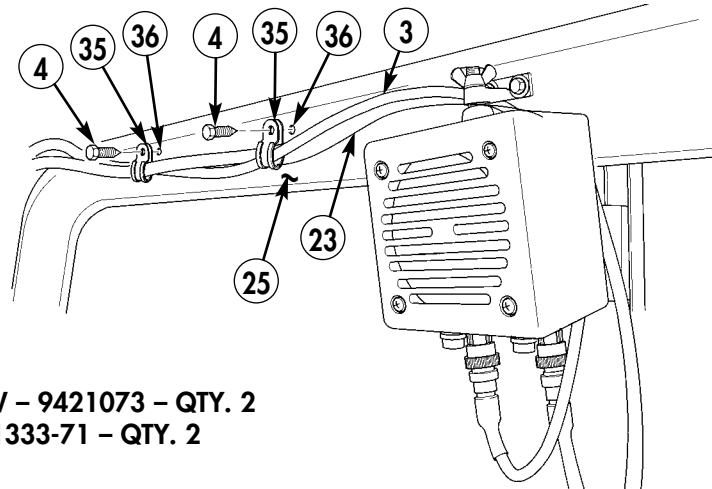
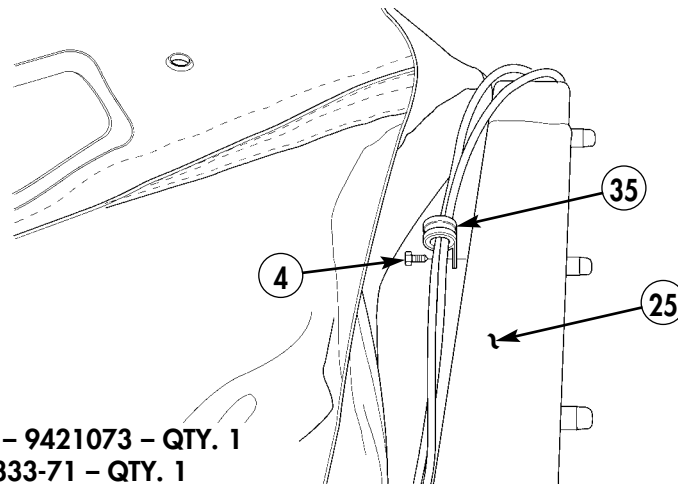


Figure 5-125.



- 4. SELF-TAPPING SCREW - 9421073 - QTY. 2
- 35. LOOP CLAMP - MS21333-71 - QTY. 2

Figure 5-126.



- 4. SELF-TAPPING SCREW - 9421073 - QTY. 1
- 35. LOOP CLAMP - MS21333-71 - QTY. 1

Figure 5-127.

SECTION XXXVI. WINDSHIELD ARMOR MODIFICATION

NOTE

Perform following steps for vehicles with bolt-on armor installed.

- 36-1.** Remove four capscrews (5) and left capping ring (4) from left side of windshield frame (1).
- 36-2.** Remove four capscrews (5) and right capping ring (6) from right side of windshield frame (1).
- 36-3.** Remove five capscrews (3) and upper capping ring (2) from windshield frame (1).

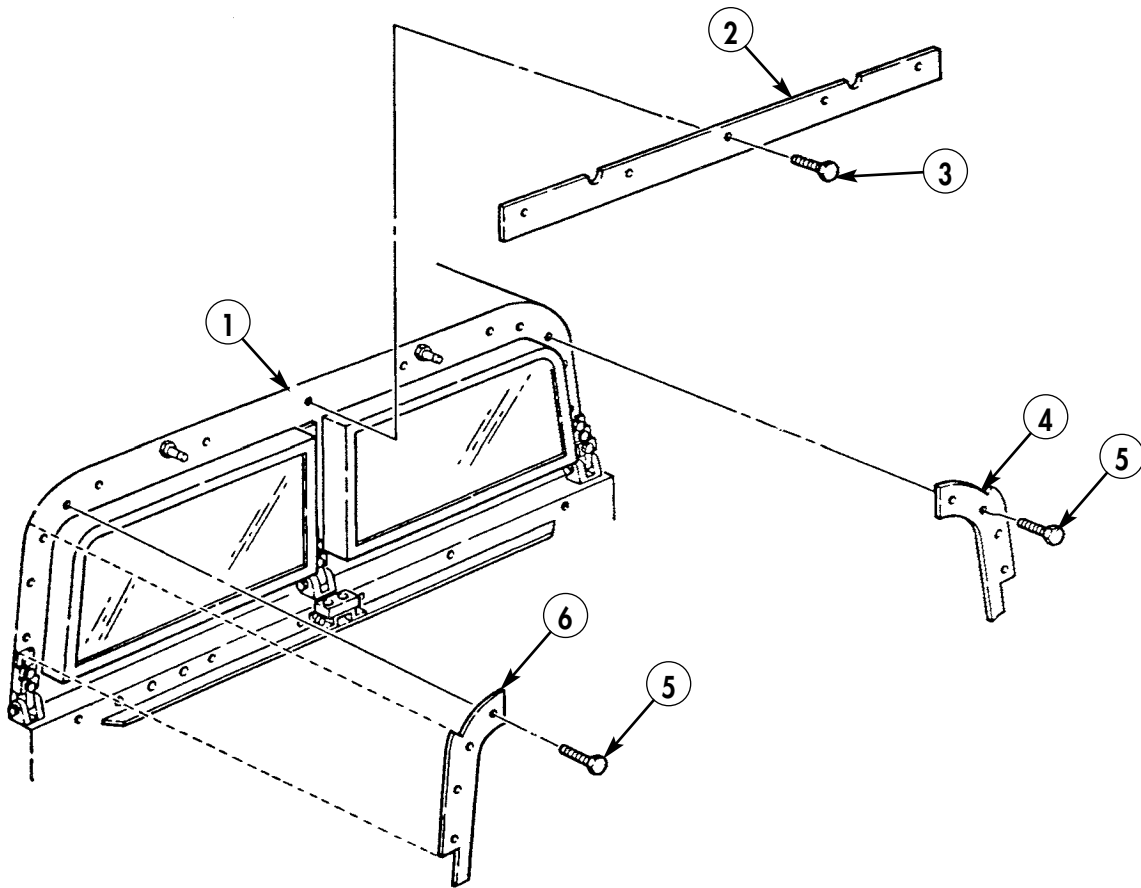


Figure 5-128.

NOTE

Left side shown; right side opposite.

36-4. Locate, mark, and remove section of armor on left capping ring (4). Repeat for right side.

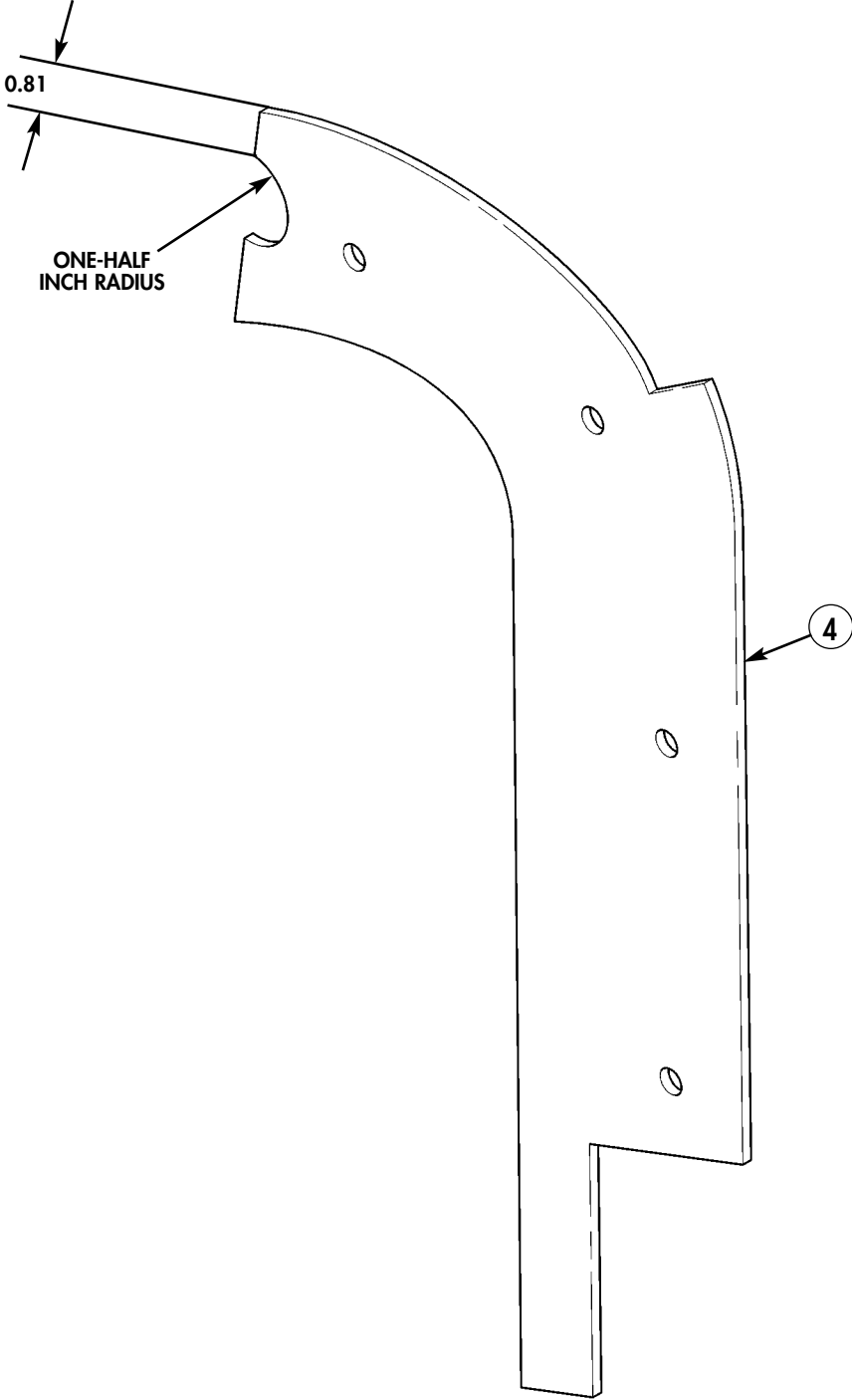


Figure 5-129.

NOTE

Right side shown; left side opposite.

36-5. Locate, mark, and remove sections of armor on upper capping ring (2).

36-6. Spot paint all exposed metal surfaces. (Refer to TM 43-0139.)

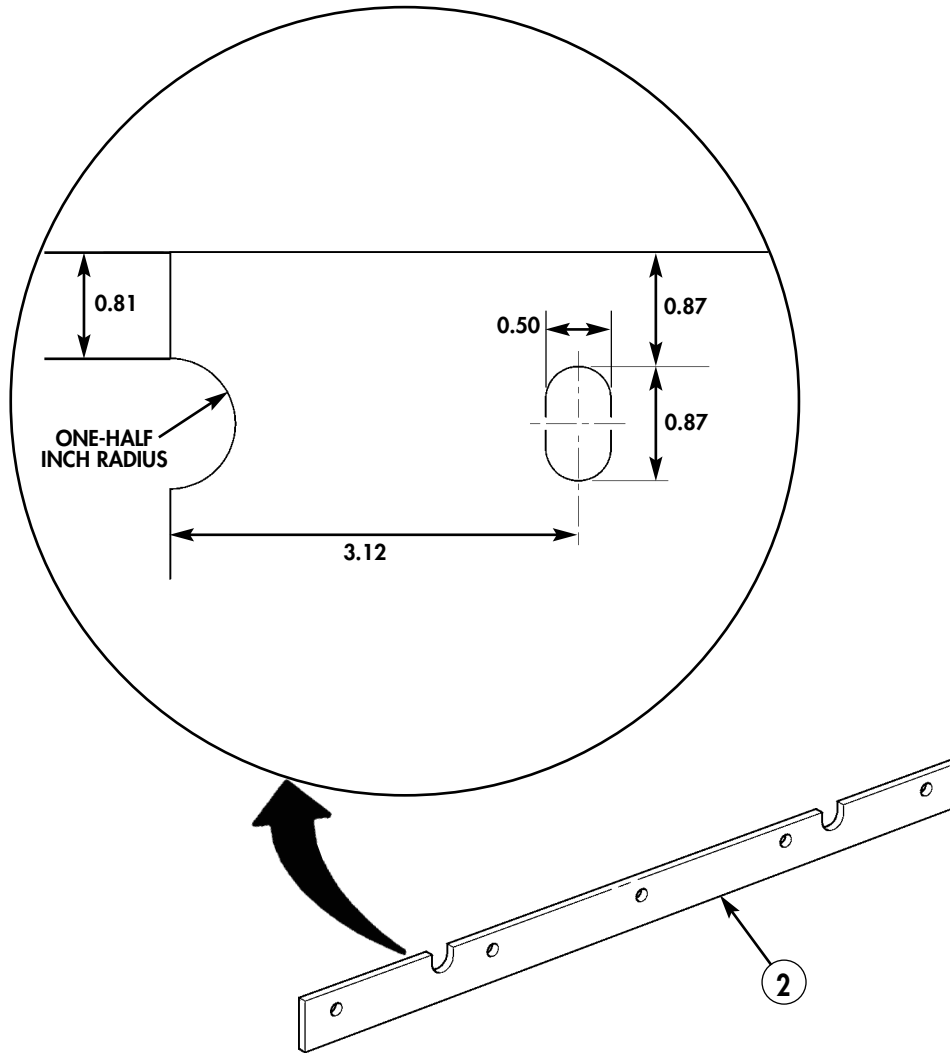


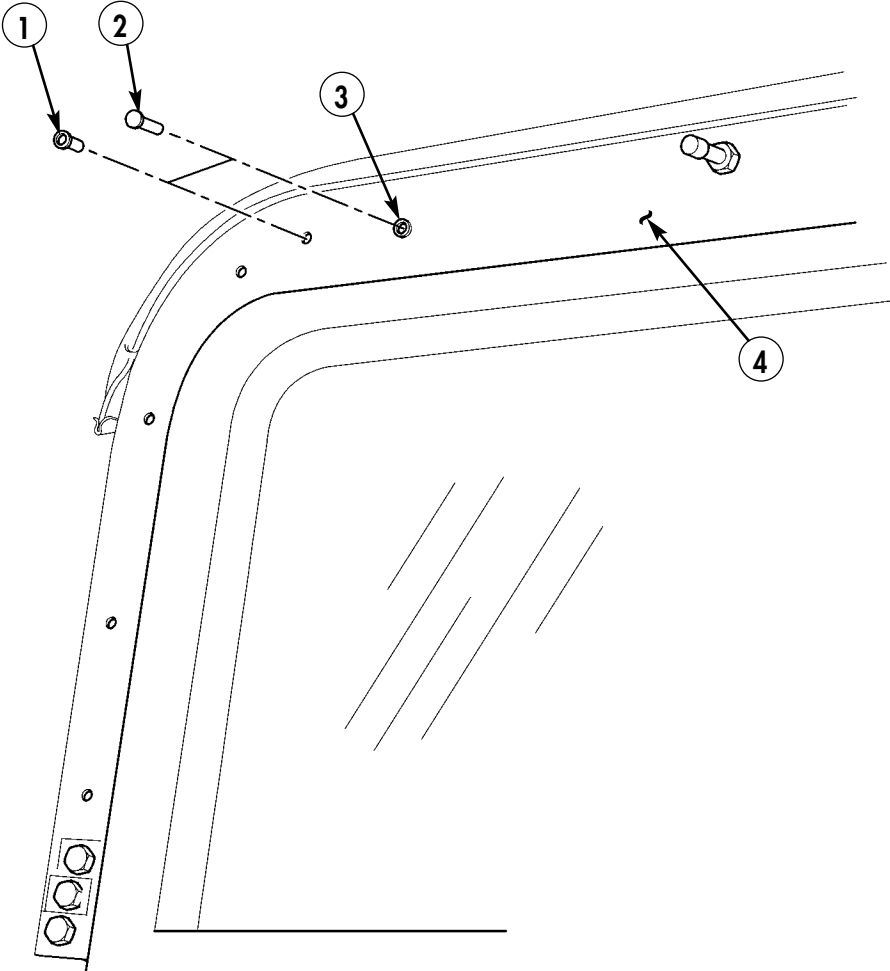
Figure 5-130.

Section XXXVII. ARMOR AND ANTENNA INSTALLATION (WITH BOLT-ON ARMOR)

NOTE

Perform following steps for vehicles with bolt-on armor and antenna mounted on right side of windshield frame.

- 37-1.** Remove two plugs (2) from right side of windshield frame (4).
- 37-2.** Install wellnuts (1) and (3) in right side of windshield frame (4).



- 1. WELLNUT - 12339397-6 - QTY. 1**
- 3. WELLNUT - 12339397-3 - QTY. 1**

Figure 5-131.

NOTE

It may be necessary to drill pilot hole prior to drilling 0.562-in. diameter hole.

37-3. Locate, mark, and drill one 0.562-in. diameter hole (5) on right side of A-pillar (6).

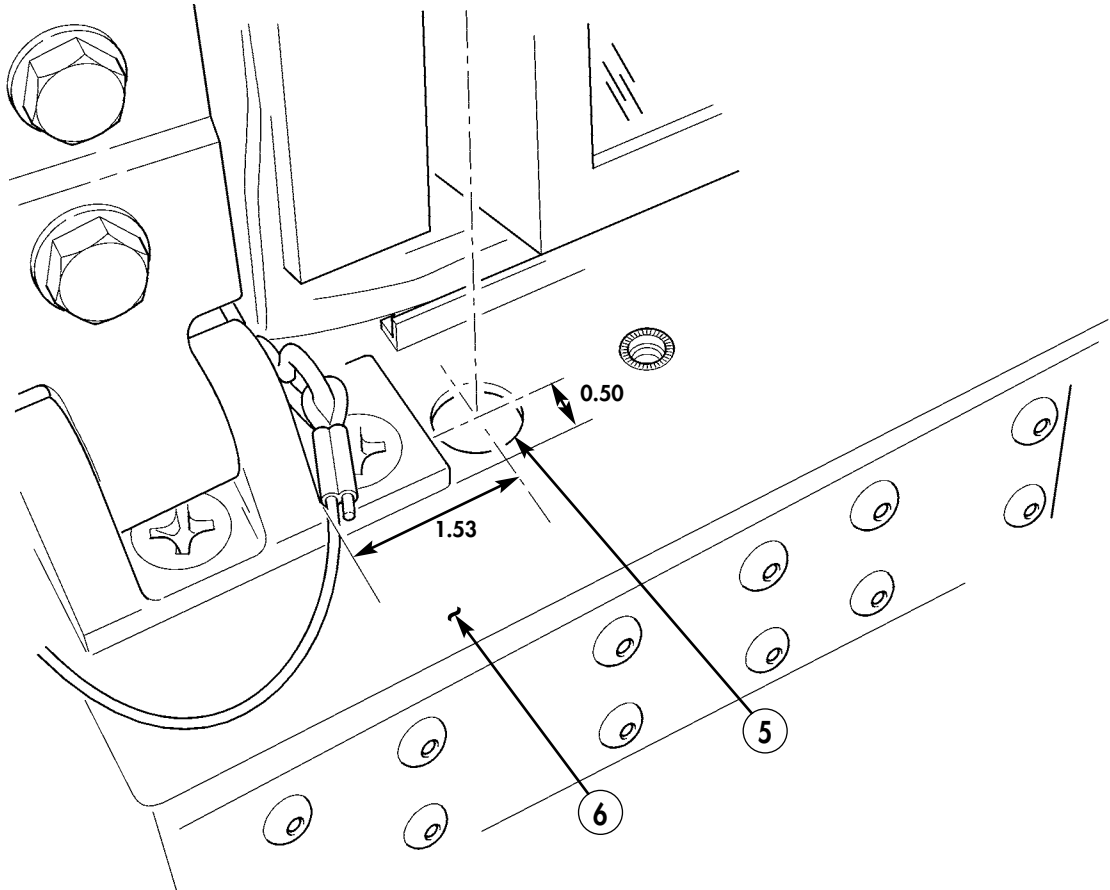


Figure 5-132.

- 37-4.** Install modified upper capping ring (7) on windshield frame (4) with five existing capscrews (8).
- 37-5.** Install modified right capping ring (11) on right side of windshield frame (4) with four existing capscrews (10).
- 37-6.** Install modified left capping ring (9) on left side of windshield frame (4) with four existing capscrews (10).

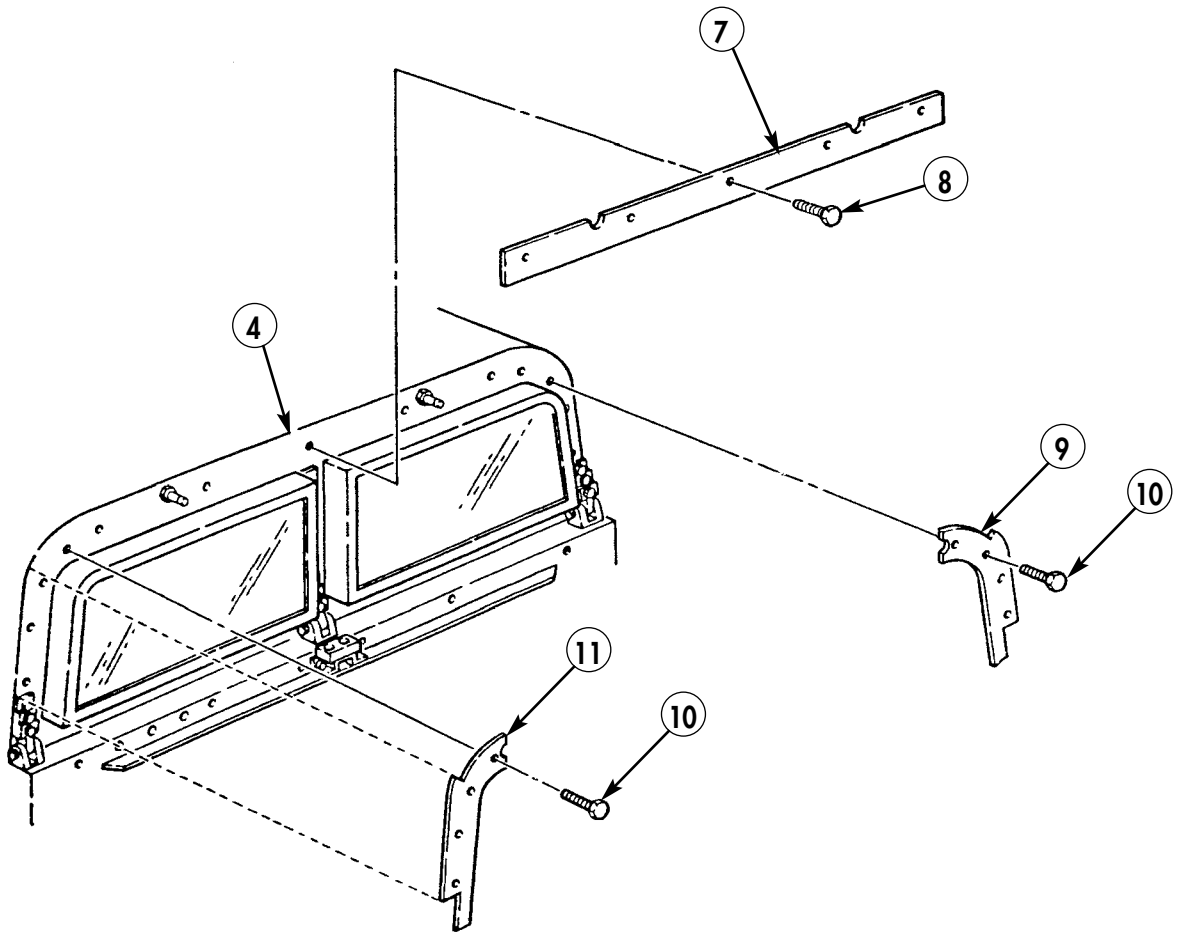
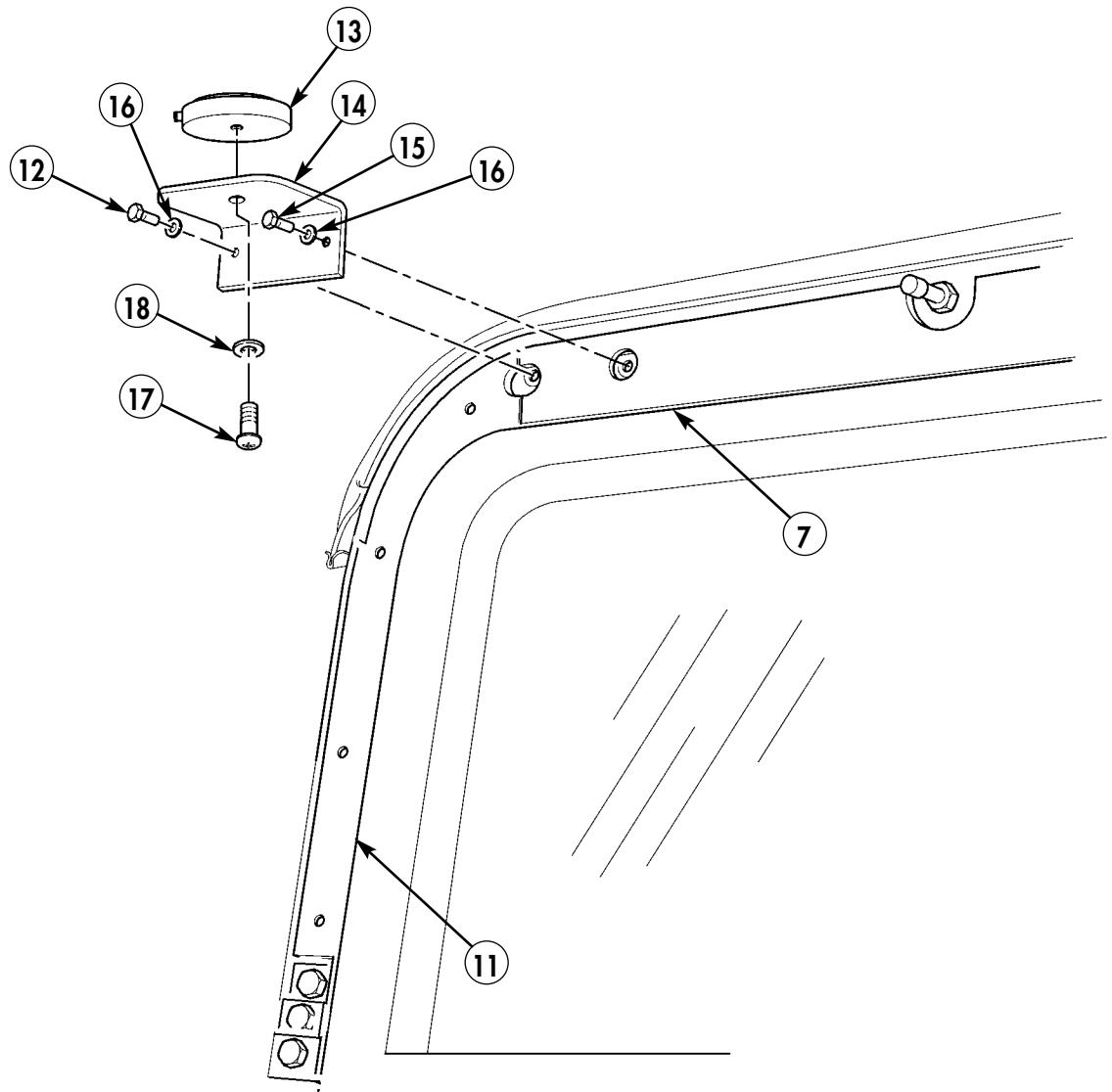


Figure 5-133.

- 37-7.** Install antenna (13) on support (14) with lockwasher (18) and capscrew (17).
- 37-8.** Install support (14) on right capping ring (11) and upper capping ring (7) with capscrews (12) and (15) and two washers (16).



12. CAPSCREW - B1821BH025C125N - QTY. 1
13. PLGR ANTENNA - AT575-030 - QTY. 1
14. PLGR ANTENNA MOUNT BRACKET - QTY. 1
15. CAPSCREW - B1821BH025C175N - QTY. 1
16. WASHER - 2436161 - QTY. 2
17. CAPSCREW - MS35207-261 - QTY. 1
18. LOCKWASHER - MS35338-43 - QTY. 1

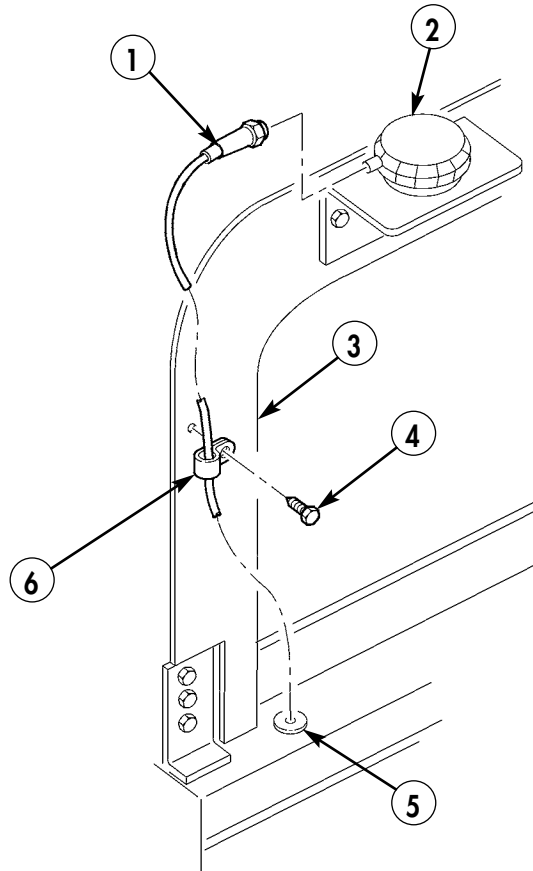
Figure 5-134.

Section XXXVIII. ANTENNA CABLE INSTALLATION

NOTE

Perform following steps for vehicles with bolt-on armor and antenna installed on right side of windshield frame.

- 38-1. Route antenna cable (1) through hole (5) and connect antenna cable (1) to antenna (2).
- 38-2. Remove self-tapping screw (4) from right capping ring (3).
- 38-3. Secure antenna cable (1) to right capping ring (3) with clamp (6) and existing self-tapping screw (4).



- 1. ANTENNA CABLE – A32551281W23 – QTY. 1
- 6. CLAMP – MS21333-96 – QTY. 1

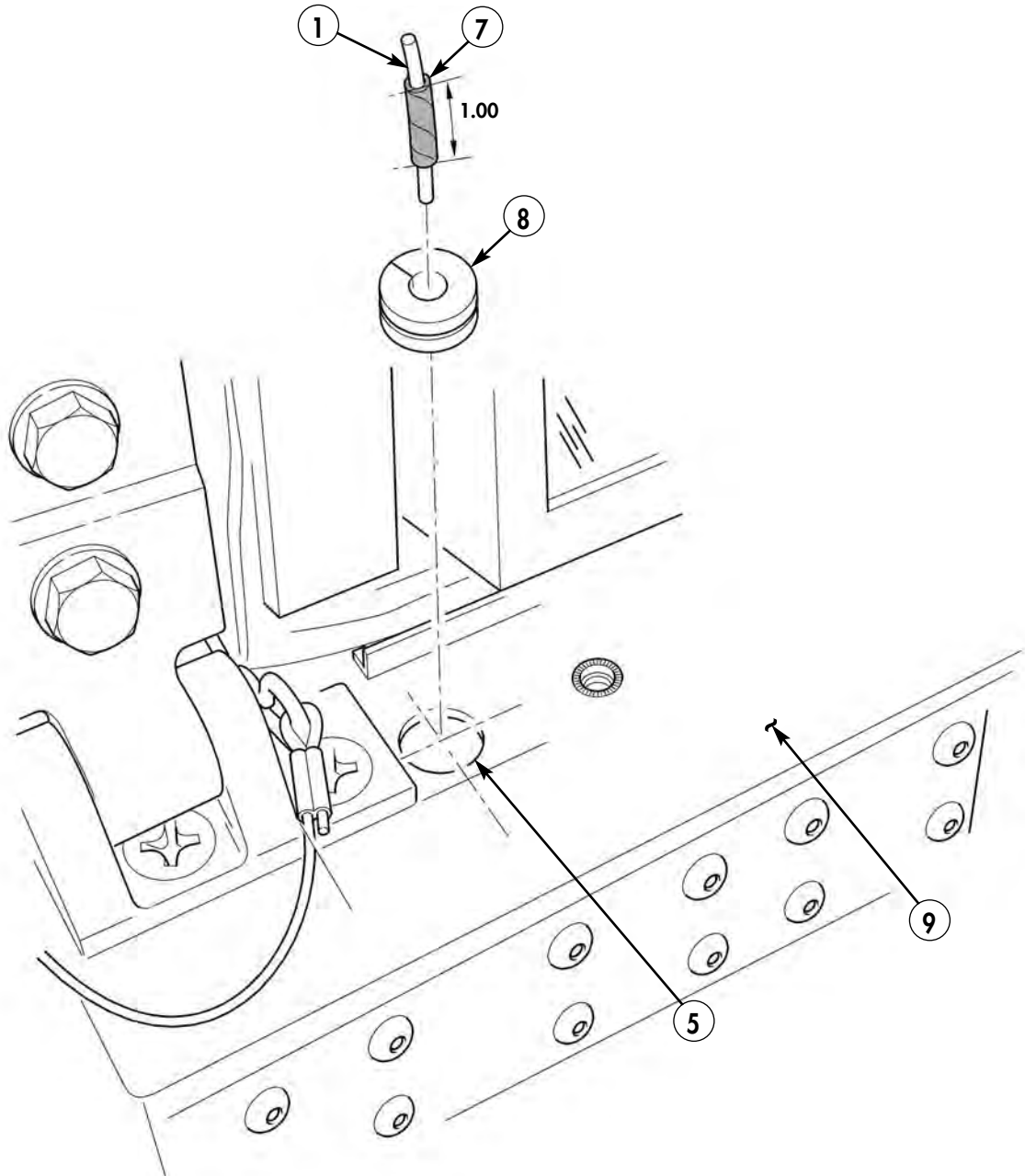
Figure 5-135.

- 38-4. Split grommet (8) and install on antenna cable (1).
- 38-5. Wrap electrical tape (7) around antenna cable (1).
- 38-6. Install antenna cable (1) with electrical tape (7) in grommet (8).

NOTE

Apply sealing compound on grommet.

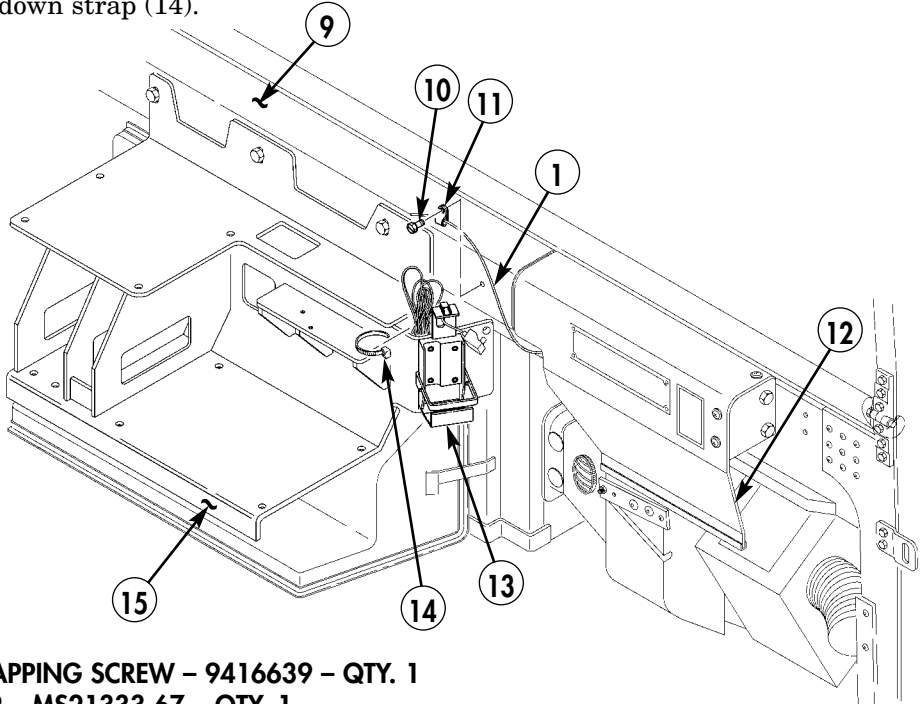
- 38-7. Install grommet (8) in hole (5) on A-pillar (9).



- 7. ELECTRICAL TAPE – HH-I-595 – QTY. A/R
- 8. GROMMET – MS35489-31 – QTY. 1

Figure 5-136.

- 38-8. Route antenna cable (1) behind heater shield (12) to installation mount (13).
- 38-9. Locate, mark, and drill one 0.147-in. diameter hole (16) in plenum (9).
- 38-10. Secure antenna cable (1) to plenum (9) with clamp (11) and self-tapping screw (10).
- 38-11. Secure excess antenna cable (1) behind installation mount (13) on integrated radio rack (15) with tiedown strap (14).



- 10. SELF-TAPPING SCREW – 9416639 – QTY. 1
- 11. CLAMP – MS21333-67 – QTY. 1
- 14. TIEDOWN STRAP – MS3367-1-0 – QTY. 1

Figure 5-137.

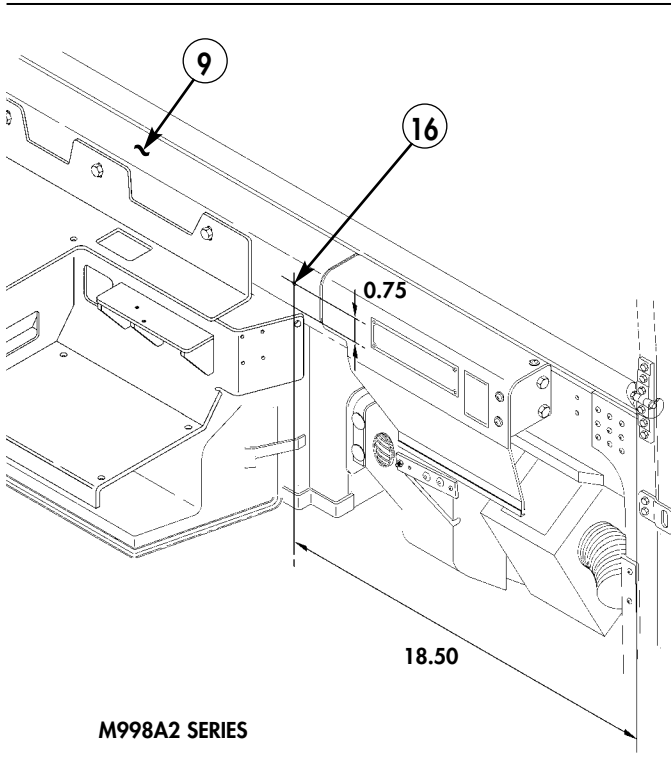


Figure 5-138.

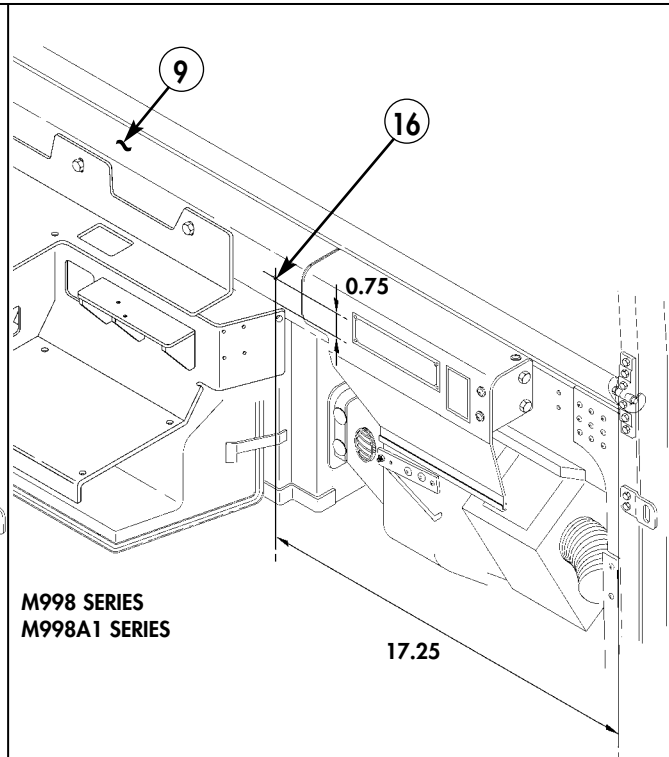



Figure 5-139.

By Order of the Secretary of the Army:

PETER J. SCHOOMAKER
General, United States Army
Chief of Staff

Official:

A handwritten signature in black ink that reads "Joyce E. Morrow". The signature is written in a cursive style with a large initial "J" and "M".

JOYCE E. MORROW
Administrative Assistant to the
Secretary of the Army
0533604

:

Distribution:

To be distributed in accordance with the Initial Distribution Number (IDN) 344840 requirements for TB 9-2320-280-35-14.

RECOMMENDED CHANGES TO PUBLICATIONS AND BLANK FORMS For use of this form, see AR 25-30; the proponent agency is ODISC4.	Use Part II (reverse) for Repair Parts and Special Tools Lists (RPSTL) and Supply Catalogs/Supply Manuals (SC/SM).	DATE: <p style="text-align: center;">October 6, 2006</p>
---	--	---

TO: (Forward to proponent of publication or form) (include ZIP code) AMSTA-LC-LPIT/Tech Pubs, TACOM-RI 1 Rock Island Arsenal Rock Island, IL 61299-7630	FROM: (Activity and location) (include ZIP code) <p style="text-align: center;">Co. B, 1st BN, 2nd Brigade Ft. Hood, TX 76445</p>
---	---

PART I - ALL PUBLICATIONS (EXCEPT RPSTL AND SC/SM) AND BLANK FORMS

PUBLICATION/FORM NUMBER <p style="text-align: center;">TB 9-2320-280-35-14</p>	DATE <p style="text-align: center;">29 SEP. 2006</p>	TITLE <p style="text-align: center;">TECHNICAL BULLETIN INSTALLATION INSTRUCTIONS</p>
--	--	---

ITEM NO.	PAGE NO.	PARA-GRAPH	LINE NO.*	FIGURE NO.	TABLE NO.	RECOMMENDED CHANGES AND REASON <i>(Provide exact wording of recommended changes, if possible)</i>
----------	----------	------------	-----------	------------	-----------	--

26-1	5-80			5-81		Hole (9) should be 0.225-in. in diameter.
<h1>SAMPLE</h1>						

**Reference to line numbers within the paragraph or subparagraph.*

TYPED NAME, GRADE, OR TITLE <p style="text-align: center;">Pat Smith</p>	TELEPHONE EXCHANGE/AUTOVON, PLUS EXTENSION <p style="text-align: center;">AV272-4162</p>	SIGNATURE <p style="text-align: center;"><i>Pat Smith</i></p>
---	---	---

TO: <i>(Forward direct to addressee listed in publication)</i> AMSTA-LC-LPIT/Tech Pubs, TACOM-RI 1 Rock Island Arsenal Rock Island, IL 61299-7630	FROM: <i>(Activity and location) (include ZIP code)</i>	DATE:
--	---	-------

PART II - REPAIR PARTS AND SPECIAL TOOLS LISTS AND SUPPLY CATALOGS/SUPPLY MANUALS

PUBLICATION/FORM NUMBER TB 9-2320-280-35-14	DATE 29 SEP. 2006	TITLE TECHNICAL BULLETIN INSTALLATION INSTRUCTIONS
--	----------------------	--

PAGE NO.	COLM NO.	LINE NO.	NATIONAL STOCK NUMBER	REFERENCE NO.	FIGURE NO.	ITEM NO.	TOTAL NO. OF MAJOR ITEMS SUPPORTED	RECOMMENDED ACTION
<h1>SAMPLE</h1>								

PART III - REMARKS *(Any general remarks or recommendations, or suggestions for improvement of publications and blank forms. Additional blank sheets may be used if more space is needed.)*

TYPED NAME, GRADE, OR TITLE	TELEPHONE EXCHANGE/AUTOVON, PLUS EXTENSION	SIGNATURE
-----------------------------	--	-----------

RECOMMENDED CHANGES TO PUBLICATIONS AND BLANK FORMS For use of this form, see AR 25-30; the proponent agency is ODISC4.				Use Part II (reverse) for Repair Parts and Special Tools Lists (RPSTL) and Supply Catalogs/Supply Manuals (SC/SM).		DATE:
TO: <i>(Forward to proponent of publication or form) (include ZIP code)</i> AMSTA-LC-LPIT/Tech Pubs, TACOM-RI 1 Rock Island Arsenal Rock Island, IL 61299-7630				FROM: <i>(Activity and location) (include ZIP code)</i>		
PART I - ALL PUBLICATIONS (EXCEPT RPSTL AND SC/SM) AND BLANK FORMS						
PUBLICATION/FORM NUMBER TB 9-2320-280-35-14			DATE 29 SEP. 2006		TITLE TECHNICAL BULLETIN INSTALLATION INSTRUCTIONS	
ITEM NO.	PAGE NO.	PARA-GRAPH	LINE NO.*	FIGURE NO.	TABLE NO.	RECOMMENDED CHANGES AND REASON <i>(Provide exact wording of recommended changes, if possible)</i>
<i>*Reference to line numbers within the paragraph or subparagraph.</i>						
TYPED NAME, GRADE, OR TITLE				TELEPHONE EXCHANGE/AUTOVON, PLUS EXTENSION		SIGNATURE

TO: <i>(Forward direct to addressee listed in publication)</i> AMSTA-LC-LPIT/Tech Pubs, TACOM-RI 1 Rock Island Arsenal Rock Island, IL 61299-7630	FROM: <i>(Activity and location) (include ZIP code)</i>	DATE:
---	--	--------------

PART II - REPAIR PARTS AND SPECIAL TOOLS LISTS AND SUPPLY CATALOGS/SUPPLY MANUALS

PUBLICATION/FORM NUMBER TB 9-2320-280-35-14	DATE 29 SEP. 2006	TITLE TECHNICAL BULLETIN INSTALLATION INSTRUCTIONS
---	-----------------------------	---

PAGE NO.	COLM NO.	LINE NO.	NATIONAL STOCK NUMBER	REFERENCE NO.	FIGURE NO.	ITEM NO.	TOTAL NO. OF MAJOR ITEMS SUPPORTED	RECOMMENDED ACTION

PART III - REMARKS *(Any general remarks or recommendations, or suggestions for improvement of publications and blank forms. Additional blank sheets may be used if more space is needed.)*

--

TYPED NAME, GRADE, OR TITLE	TELEPHONE EXCHANGE/AUTOVON, PLUS EXTENSION	SIGNATURE

RECOMMENDED CHANGES TO PUBLICATIONS AND BLANK FORMS For use of this form, see AR 25-30; the proponent agency is ODISC4.				Use Part II (reverse) for Repair Parts and Special Tools Lists (RPSTL) and Supply Catalogs/Supply Manuals (SC/SM).		DATE:
TO: <i>(Forward to proponent of publication or form) (include ZIP code)</i> AMSTA-LC-LPIT/Tech Pubs, TACOM-RI 1 Rock Island Arsenal Rock Island, IL 61299-7630				FROM: <i>(Activity and location) (include ZIP code)</i>		
PART I - ALL PUBLICATIONS (EXCEPT RPSTL AND SC/SM) AND BLANK FORMS						
PUBLICATION/FORM NUMBER TB 9-2320-280-35-14			DATE 29 SEP. 2006		TITLE TECHNICAL BULLETIN INSTALLATION INSTRUCTIONS	
ITEM NO.	PAGE NO.	PARA-GRAPH	LINE NO.*	FIGURE NO.	TABLE NO.	RECOMMENDED CHANGES AND REASON <i>(Provide exact wording of recommended changes, if possible)</i>
<i>*Reference to line numbers within the paragraph or subparagraph.</i>						
TYPED NAME, GRADE, OR TITLE				TELEPHONE EXCHANGE/AUTOVON, PLUS EXTENSION		SIGNATURE

TO: <i>(Forward direct to addressee listed in publication)</i> AMSTA-LC-LPIT/Tech Pubs, TACOM-RI 1 Rock Island Arsenal Rock Island, IL 61299-7630	FROM: <i>(Activity and location) (include ZIP code)</i>	DATE:
---	--	--------------

PART II - REPAIR PARTS AND SPECIAL TOOLS LISTS AND SUPPLY CATALOGS/SUPPLY MANUALS

PUBLICATION/FORM NUMBER TB 9-2320-280-35-14	DATE 29 SEP. 2006	TITLE TECHNICAL BULLETIN INSTALLATION INSTRUCTIONS
---	-----------------------------	---

PAGE NO.	COLM NO.	LINE NO.	NATIONAL STOCK NUMBER	REFERENCE NO.	FIGURE NO.	ITEM NO.	TOTAL NO. OF MAJOR ITEMS SUPPORTED	RECOMMENDED ACTION

PART III - REMARKS *(Any general remarks or recommendations, or suggestions for improvement of publications and blank forms. Additional blank sheets may be used if more space is needed.)*

--

TYPED NAME, GRADE, OR TITLE	TELEPHONE EXCHANGE/AUTOVON, PLUS EXTENSION	SIGNATURE

RECOMMENDED CHANGES TO PUBLICATIONS AND BLANK FORMS For use of this form, see AR 25-30; the proponent agency is ODISC4.				Use Part II (reverse) for Repair Parts and Special Tools Lists (RPSTL) and Supply Catalogs/Supply Manuals (SC/SM).		DATE:
TO: <i>(Forward to proponent of publication or form) (include ZIP code)</i> AMSTA-LC-LPIT/Tech Pubs, TACOM-RI 1 Rock Island Arsenal Rock Island, IL 61299-7630				FROM: <i>(Activity and location) (include ZIP code)</i>		
PART I - ALL PUBLICATIONS (EXCEPT RPSTL AND SC/SM) AND BLANK FORMS						
PUBLICATION/FORM NUMBER TB 9-2320-280-35-14			DATE 29 SEP. 2006		TITLE TECHNICAL BULLETIN INSTALLATION INSTRUCTIONS	
ITEM NO.	PAGE NO.	PARA-GRAPH	LINE NO.*	FIGURE NO.	TABLE NO.	RECOMMENDED CHANGES AND REASON <i>(Provide exact wording of recommended changes, if possible)</i>
<i>*Reference to line numbers within the paragraph or subparagraph.</i>						
TYPED NAME, GRADE, OR TITLE				TELEPHONE EXCHANGE/AUTOVON, PLUS EXTENSION		SIGNATURE

TO: <i>(Forward direct to addressee listed in publication)</i> AMSTA-LC-LPIT/Tech Pubs, TACOM-RI 1 Rock Island Arsenal Rock Island, IL 61299-7630	FROM: <i>(Activity and location) (include ZIP code)</i>	DATE:
---	--	--------------

PART II - REPAIR PARTS AND SPECIAL TOOLS LISTS AND SUPPLY CATALOGS/SUPPLY MANUALS

PUBLICATION/FORM NUMBER TB 9-2320-280-35-14	DATE 29 SEP. 2006	TITLE TECHNICAL BULLETIN INSTALLATION INSTRUCTIONS
---	-----------------------------	---

PAGE NO.	COLM NO.	LINE NO.	NATIONAL STOCK NUMBER	REFERENCE NO.	FIGURE NO.	ITEM NO.	TOTAL NO. OF MAJOR ITEMS SUPPORTED	RECOMMENDED ACTION

PART III - REMARKS *(Any general remarks or recommendations, or suggestions for improvement of publications and blank forms. Additional blank sheets may be used if more space is needed.)*

--

TYPED NAME, GRADE, OR TITLE	TELEPHONE EXCHANGE/AUTOVON, PLUS EXTENSION	SIGNATURE

