

TECHNICAL MANUAL

UNIT MAINTENANCE MANUAL

**FOR
CARRIER, PERSONNEL, FULL TRACKED, ARMORED M113A3
2350-01-219-7577 (EIC AEY)**

**CARRIER, COMMAND POST, LIGHT TRACKED M577A3
2350-01-369-6085 (EIC AE7)**

**CARRIER, SMOKE GENERATOR, FULL TRACKED M1059A3
2350-01-369-6083 (EIC AFA)**

**CARRIER, MORTAR, 120-MM M121, SELF-PROPELLED M1064A3
2350-01-369-6082 (EIC AE8)**

**CARRIER, STANDARDIZED INTEGRATED COMMAND POST SYSTEM
(SICPS) M1068A3
2350-01-369-6086 (EIC AFC)**

**CARRIER, MECHANIZED SMOKE OBSCURANT M58
2350-01-418-6654 (EIC 5CG)**

***SUPERSEDURE NOTICE** — Supersedes TM 9-2350-277-20, 24 July 1994, including all changes.

DISTRIBUTION STATEMENT A — Approved for public release; distribution is unlimited.

HEADQUARTERS, DEPARTMENT OF THE ARMY

January 2001

CHANGE
NO. 5

HEADQUARTERS
DEPARTMENT OF THE ARMY
WASHINGTON, D.C., 01 JUNE 2009

TECHNICAL MANUAL

UNIT MAINTENANCE MANUAL

FOR

**CARRIER, PERSONNEL, FULL TRACKED, ARMORED M113A3
2350-01-219-7577 (EIC AEY)**

**CARRIER, COMMAND POST, LIGHT TRACKED M577A3
2350-01-369-6085 (EIC AE7)**

**CARRIER, SMOKE GENERATOR, FULL TRACKED M1059A3
2350-01-369-6083 (EIC AFA)**

**CARRIER, MORTAR, 120-MM M121, SELF-PROPELLED M1064A3
2350-01-369-6082 (EIC AE8)**

**CARRIER, STANDARDIZED INTEGRATED COMMAND POST SYSTEM (SICPS) M1068A3
2350-01-369-6086 (EIC AFC)**

**CARRIER, MECHANIZED SMOKE OBSCURANT M58
2350-01-418-6654 (EIC 5CG)**

DISTRIBUTION STATEMENT A – Approved for public release; distribution is unlimited.

TM 9-2350-277-20-3, 02 January 2001, is updated as follows:

1. File this change sheet in front of the publication for reference purposes.
2. New or updated text is indicated by a vertical bar in the outer margin of the page.
3. Revised illustrations are indicated by a miniature pointing hand adjacent to the updated area.
4. Remove old pages/Work Packages and insert new pages/Work Packages as indicated below.

Remove Pages/Work Packages

A/B blank
i – vi
Chapter 8 WP Index
WP 0260 00
WP 0262 00
WP 0279 00 – 0279 01
WP 0282 00
WP 0295 00 – 0295 01
WP 0297 00
WP 0303 00 – 0304 00
WP 0325 00
WP 0360 00 – 0361 00
WP 0366 00

Insert Pages/Work Packages

A/B blank
i – vi
Chapter 8 WP Index
WP 0260 00
WP 0262 00
WP 0279 00 – 0279 01
WP 0282 00
WP 0295 00 – 0295 01
None
WP 0303 00 – 0304 00
WP 0325 00
WP 0360 00 - 0361 00
WP 0366 00

Remove Pages/Work Packages (Continued)

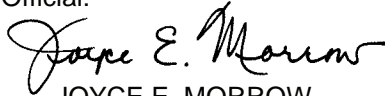
WP 0373 00
WP 0390 00 – 0391 00
WP 0394 00
WP 0397 00 – 0398 00
WP 0400 00
WP 0402 00 – 0404 00
WP 0405 00 – 0407 00
WP 0409 00 – 0411 00
Index-1 – Index-99/100 blank
DA 2028 Forms

Insert Pages/Work Packages (Continued)

WP 0373 00
WP 0390 00 – 0391 00
WP 0394 00
WP 0397 00 – 0398 00
WP 0400 00
WP 0402 00 – 0404 00
WP 0405 00 – 0407 00
WP 0409 00 – 0411 0
Index-1 – Index 99/100 blank
DA 2028 Forms

By Order of the Secretary of the Army:

Official:



JOYCE E. MORROW
*Administrative Assistant to the
Secretary of the Army*
0913107

GEORGE W. CASEY, JR.
*General, United States Army
Chief of Staff*

DISTRIBUTION: To be distributed in accordance with the initial distribution requirements for IDN: 371205, requirements for TM 9-2350-277-20-3.

CHANGE
NO. 4

HEADQUARTERS
DEPARTMENT OF THE ARMY
WASHINGTON, D.C., 31 DECEMBER 2006

TECHNICAL MANUAL

UNIT MAINTENANCE MANUAL

FOR

**CARRIER, PERSONNEL, FULL TRACKED, ARMORED M113A3
2350-01-219-7577 (EIC AEY)**

**CARRIER, COMMAND POST, LIGHT TRACKED M577A3
2350-01-369-6085 (EIC AE7)**

**CARRIER, SMOKE GENERATOR, FULL TRACKED M1059A3
2350-01-369-6083 (EIC AFA)**

**CARRIER, MORTAR, 120-MM M121, SELF-PROPELLED M1064A3
2350-01-369-6082 (EIC AE8)**

**CARRIER, STANDARDIZED INTEGRATED COMMAND POST SYSTEM (SICPS) M1068A3
2350-01-369-6086 (EIC AFC)**

**CARRIER, MECHANIZED SMOKE OBSCURANT M58
2350-01-418-6654 (EIC 5CG)**

DISTRIBUTION STATEMENT A – Approved for public release; distribution is unlimited.

TM 9-2350-277-20-3, 2 January 2001 is updated as follows:

1. File this change sheet in front of the publication for reference purposes.
2. New or updated text is indicated by a vertical bar in the outer margin of the page.
3. Revised illustrations are indicated by a miniature pointing hand adjacent to the updated area.
4. Remove old pages/Work Packages and insert new pages/Work Packages as indicated below.

Remove Pages/Work Packages

A/B blank
i – vii/viii blank
WP 0321 01
WP 0365 00
Index-1 – Index-103/104 blank
Metric Chart/Back Cover

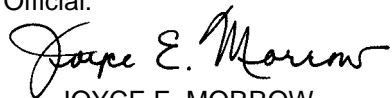
Insert Pages/Work Packages

A/B blank
i – vi
WP 0321 01
WP 0365 00
Index-1 – Index 99/100 blank
Metric Chart/Back Cover

By Order of the Secretary of the Army:

PETER J. SCHOOMAKER
General, United States Army
Chief of Staff

Official:



JOYCE E. MORROW
Administrative Assistant to the
Secretary of the Army
0632405

DISTRIBUTION: To be distributed in accordance with the initial distribution requirements for IDN: 371205, requirements for TM 9-2350-277-20-3.

CHANGE
NO. 3

HEADQUARTERS DEPARTMENT OF THE ARMY
WASHINGTON, D.C., 27 April 2004

TECHNICAL MANUAL

UNIT MAINTENANCE MANUAL

FOR

CARRIER, PERSONNEL, FULL TRACKED, ARMORED M113A3
2350-01-219-7577 (EIC AEY)

CARRIER, COMMAND POST, LIGHT TRACKED M577A3
2350-01-369-6085 (EIC AE7)

CARRIER, SMOKE GENERATOR, FULL TRACKED M1059A3
2350-01-369-6083 (EIC AFA)

CARRIER, MORTAR, 120-MM M121, SELF-PROPELLED M1064A3
2350-01-369-6082 (EIC AE8)

CARRIER, STANDARDIZED INTEGRATED COMMAND POST SYSTEM (SICPS) M1068A3
2350-01-369-6086 (EIC AFC)

CARRIER, MECHANIZED SMOKE OBSCURANT M58
2350-01-418-6654 (EIC 5CG)

DISTRIBUTION STATEMENT A – Approved for public release; distribution is unlimited.

TM 9-2350-277-20-3, 2 January 2001 is updated as follows:

1. File this change sheet in front of the publication for reference purposes.
2. New or updated text is indicated by a vertical bar in the outer margin of the page.
3. Revised illustrations are indicated by a miniature pointing hand adjacent to the updated area.
4. Remove old pages/Work Packages and insert new pages/Work Packages as indicated below.

Remove Pages/Work Packages

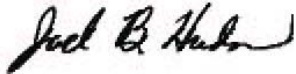
A/B blank
WP 0328 00
WP 0361 00
WP 0403 00
Index 17 – Index 28
Index 53 – Index 54
Index 93 – Index 94
Index 99 – Index 102

Insert Pages/Work Packages

A/B blank
WP 0328 00
WP 0361 00
WP 0403 00
Index 17 – Index 28
Index 53 – Index 54
Index 93 – Index 94
Index 99 – Index 102

By Order of the Secretary of the Army:

Official:



JOEL B. HUDSON
*Administrative Assistant to the
Secretary of the Army*
0405805

PETER J. SCHOOMAKER
*General, United States Army
Chief of Staff*

DISTRIBUTION:

To be distributed in accordance with the initial distribution number (IDN) 371205 requirements for TM 9-2350-277-20-3.

CHANGE
NO. 2

HEADQUARTERS
DEPARTMENT OF THE ARMY
WASHINGTON, D.C. 02 OCTOBER 2003

TECHNICAL MANUAL

UNIT MAINTENANCE MANUAL

FOR

**CARRIER, PERSONNEL, FULL TRACKED, ARMORED M113A3
2350-01-219-7577 (EIC AEY)**

**CARRIER, COMMAND POST, LIGHT TRACKED M577A3
2350-01-369-6085 (EIC AE7)**

**CARRIER, SMOKE GENERATOR, FULL TRACKED M1059A3
2350-01-369-6083 (EIC AFA)**

**CARRIER, MORTAR, 120-MM M121, SELF-PROPELLED M1064A3
2350-01-369-6082 (EIC AE8)**

**CARRIER, STANDARDIZED INTEGRATED COMMAND POST SYSTEM (SICPS) M1068A3
2350-01-369-6086 (EIC AFC)**

**CARRIER, MECHANIZED SMOKE OBSCURANT M58
2350-01-418-6654 (EIC 5CG)**

DISTRIBUTION STATEMENT A – Approved for public release; distribution is unlimited.

TM 9-2350-277-20-3, 2 January 2001 is updated as follows:

1. File this change sheet in front of the publication for reference purposes.
2. New or updated text is indicated by a vertical bar in the outer margin of the page.
3. Revised illustrations are indicated by a miniature pointing hand adjacent to the updated area.
4. Remove old pages/Work Packages and insert new pages/Work Packages as indicated below.

Remove Pages/Work Packages

Title
A/B
i-xxx
Chapter 8 WP Index
WP 0260 00
WP 0262 00
WP 0263 00
WP 0264 00
WP 0265 00
WP 0266 00
WP 0268 00
WP 0269 00
WP 0270 00
WP 0272 00
WP 0273 00
WP 0274 00
WP 0275 00
WP 0289 00
WP 0296 00
WP 0298 00
WP 0319 00
None
WP 0337 00
WP 0339 00
WP 0340 00
WP 0342 00
WP 0346 00
WP 0348 00
WP 0350 00
WP 0355 00
WP 0356 00
None
WP 0362 00
WP 0366 00
WP 0369 00
WP 0371 00
WP 0372 00
WP 0379 00
Index
Cover

Insert Pages/Work Packages

Title
A/B
i-vii/viii blank
Chapter 8 WP Index
WP 0260 00
WP 0262 00
WP 0263 00
WP 0264 00
WP 0265 00
WP 0266 00
WP 0268 00
WP 0269 00
WP 0270 00
None
None
None
WP 0275 00
WP 0289 00
WP 0296 00
WP 0298 00
None
WP 0321 01
WP 0337 00
None
WP 0340 00
None
WP 0346 00
WP 0348 00
WP 0350 00
WP 0355 00
WP 0356 00
WP 0359 01
WP 0362 00
WP 0366 00
WP 0369 00
None
None
WP 0379 00
Index
Cover

PETER J. SCHOOMAKER
General, United States Army
Chief of Staff

Official:



JOEL B. HUDSON

Administrative Assistant to the
Secretary of the Army
0133207

DISTRIBUTION:

To be distributed in accordance with the initial distribution number (IDN) 371205 requirements for TM 9-2350-277-20-3.

**TECHNICAL MANUAL
UNIT MAINTENANCE MANUAL
FOR**

**CARRIER, PERSONNEL, FULL TRACKED, ARMORED M113A3
2350-01-219-7577 (EIC AEY)**

**CARRIER, COMMAND POST, LIGHT TRACKED M577A3
2350-01-369-6085 (EIC AE7)**

**CARRIER, ANTI-TANK (TOW), FULL TRACKED, ARMORED M901A3
2350-01-369-7253 (EIC AFD)**

**CARRIER, FIRE SUPPORT PERSONNEL, FULL TRACKED, ARMORED M981A3
2350-01-369-6079 (EIC AFB)**

**CARRIER, SMOKE GENERATOR, FULL TRACKED M1059A3
2350-01-369-6083 (EIC AFA)**

**CARRIER, MORTAR, 120-MM M121, SELF-PROPELLED M1064A3
2350-01-369-6082 (EIC AE8)**

**CARRIER, STANDARDIZED INTEGRATED COMMAND POST SYSTEM (SICPS) M1068A3
2350-01-369-6086 (EIC AFC)**

**CARRIER, MECHANIZED SMOKE OBSCURANT M58
2350-01-418-6654 (EIC 5CG)**

DISTRIBUTION STATEMENT A – Approved for public release; distribution is unlimited.

TM 9-2350-277-20-3, 2 January 2001 is updated as follows:

1. File this change sheet in front of the publication for reference purposes.
2. New or updated text is indicated by a vertical bar in the outer margin of the page.
3. Revised illustrations are indicated by a miniature pointing hand adjacent to the updated area.
4. Remove old pages/Work Packages and insert new pages/Work Packages as indicated below.

Remove Pages/Work Packages

A/B
i-xxix/xxx blank
Chapter 8 WP Index
WP 0269 00
WP 0279 00
NEW
WP 0287 00
WP 0288 00
WP 0289 00
WP 0290 00
WP 0291 00
WP 0292 00
WP 0293 00
NEW
WP 0294 00
NEW
WP 0295 00
NEW
WP 0328 00
WP 0330 00
WP 0337 00
WP 0349 00
WP 0351 00
WP 0361 00
WP 0362 00
WP 0363 00
WP 0365 00
WP 0367 00
NEW
WP 0369 00
WP 0371 00
WP 0391 00
Index

Insert Pages/Work Packages

A/B
i-xxx
Chapter 8 WP Index
WP 0269 00
WP 0279 00
WP 0279 01
WP 0287 00
WP 0288 00
WP 0289 00
WP 0290 00
WP 0291 00
WP 0292 00
WP 0293 00
WP 0293 01
WP 0294 00
WP 0294 01
WP 0295 00
WP 0295 01
WP 0328 00
WP 0330 00
WP 0337 00
WP 0349 00
WP 0351 00
WP 0361 00
WP 0362 00
WP 0363 00
WP 0365 00
WP 0367 00
WP 0367 01
WP 0369 00
WP 0371 00
WP 0391 00
Index

Official:



JOEL B. HUDSON

*Administrative Assistant to the
Secretary of the Army
0133207*

PETER J. SCHOOMAKER
*General, United States Army
Chief of Staff*

DISTRIBUTION:

To be distributed in accordance with the initial distribution number (IDN) 371205 requirements for TM 9-2350-277-20-3.

INSERT LATEST UPDATED PAGES/WORK PACKAGES. DESTROY SUPERSEDED DATA.

LIST OF EFFECTIVE PAGES/WORK PACKAGES

Note: Updates to all portions of this TM are indicated by a vertical bar in the outer margin of the page.

Dates of issue for original and updated pages/work packages are:

Original 0 02 January 2001
 Change 1 05 September 2003
 Change 2 02 October 2003
 Change 3 27 April 2004
 Change 4 31 December 2006
 Change 5 01 June 2009

TOTAL NUMBER OF PAGES FOR FRONT AND REAR MATTER IS 136 AND TOTAL NUMBER OF WORK PACKAGES IS 168 CONSISTING OF THE FOLLOWING:

Page/WP No.	*Change No.	Page/WP No.	*Change No.	Page/WP No.	*Change No.
Cover	2	WP 0331 00 – 0336 00	0	WP 0384 00 – 0389 00	0
Transmittal/Authentication	5	WP 0337 00	2	WP 0390 00 – 0391 00	5
A/B blank	5	WP 0338 00	0	WP 0392 00 – 0393 00	0
i – vi	5	WP 0339 00 (Deleted)	2	WP 0394 00	5
Chapter 8 WP Index	5	WP 0340 00	2	WP 0395 00 – 0396 00	0
WP 0252 00 – 0259 00	0	WP 0341 00	0	WP 0397 00 – 0398 00	5
WP 0260 00	5	WP 0342 00 (Deleted)	2	WP 0399 00	0
WP 0261 00	0	WP 0343 00 – 0345 00	0	WP 0400 00	5
WP 0262 00	5	WP 0346 00	2	WP 0401 00	0
WP 0263 00 – 0266 00	2	WP 0347 00	0	Chapter 10 WP Index	0
WP 0267 00	0	WP 0348 00	2	WP 0402 00 – 0404 00	5
WP 0268 00 – 0270 00	2	WP 0349 00	1	Chapter 11 WP Index	0
WP 0271 00	0	WP 0350 00	2	WP 0405 00 – 0407 00	5
WP 0272 00 – 0274 00 (Deleted)	2	WP 0351 00	1	Chapter 12 WP Index	0
WP 0275 00	2	WP 0352 00 – 0354 00	0	WP 0408 00	0
WP 0276 00 – 0278 00	0	WP 0355 00 – 0356 00	2	WP 0409 00 – 0411 00	5
WP 0279 00 – 0279 01	5	WP 0357 00 – 0359 00	0	WP 0412 00	0
WP 0280 00 – 0281 00	0	WP 0359 01 (Added)	2	Index-1 – Index-99/100 blank	5
WP 0282 00	5	WP 0360 00 – 0361 00	5	DA 2028 Sample/Reverse	5
WP 0283 00 – 0286 00	0	WP 0361 00	3	DA 2028/Reverse (3)	5
WP 0287 00 – 0288 00	1	WP 0362 00	2	Authentication Page	0
WP 0289 00	2	WP 0363 00	1	Back Cover	4
WP 0290 00 – 0294 00	1	WP 0364 00	0		
WP 0295 00 – 0295 01	5	WP 0365 00	4		
WP 0296 00	2	WP 0366 00	5		
WP 0297 00 (Deleted)	5	WP 0367 00	1		
WP 0298 00	2	WP 0367 01 (Added)	1		
WP 0299 00 – 0302 00	0	WP 0368 00	0		
WP 0303 00 – 0304 00	5	WP 0369 00	2		
WP 0305 00 – 0318 00	0	WP 0370 00	0		
WP 0319 00 (Deleted)	2	WP 0371 00 – 0372 00 (Deleted)	2		
WP 0320 00 – 0321 00	0	WP 0373 00	5		
WP 0321 01	4	WP 0374 00 – 0378 00	0		
WP 0322 00 – 0324 00	0	WP 0379 00	2		
WP 0325 00	5	WP 0380 00 – 0383 00	0		
WP 0326 00 – 0327 00	0	Chapter 9 WP Index	1		

*Zero in this column indicates an original page

TECHNICAL MANUAL

UNIT MAINTENANCE MANUAL

**CARRIER, PERSONNEL, FULL TRACKED, ARMORED M113A3
NSN 2350-01-219-7577
(EIC AEY)**

**CARRIER, COMMAND POST, LIGHT TRACKED M577A3
NSN 2350-01-369-6085
(EIC AE7)**

**CARRIER, SMOKE GENERATOR, FULL TRACKED M1059A3
NSN 2350-01-369-6083
(EIC AFA)**

**CARRIER, MORTAR, 120-MM M121, SELF-PROPELLED M1064A3
NSN 2350-01-369-6082
(EIC AE8)**

**CARRIER, STANDARDIZED INTEGRATED COMMAND POST SYSTEM (SICPS) M1068A3
NSN 2350-01-369-6086
(EIC AFC)**

**CARRIER, MECHANIZED SMOKE OBSCURANT M58
NSN 2350-01-418-6654
(EIC 5CG)**

REPORTING ERRORS AND RECOMMENDING IMPROVEMENTS

You can help improve this publication. If you find any errors, or if you would like to recommend any improvements to the procedures in this publication, please let us know. The preferred method is to submit your DA Form 2028 (Recommended Changes to Publications and Blank Forms) through the Internet, on the Army Electronic Product Support (AEPS) website. The Internet address is <http://aeprs.ria.army.mil>. The DA Form 2028 is located under the Public Applications section in the AEPS Public Home Page. Fill out the form and click on SUBMIT. Using this form on the AEPS will enable us to respond quicker to your comments and better manage the DA Form 2028 program. You may also mail, e-mail, or fax your comments or DA Form 2028 directly to the U.S. Army TACOM Life Cycle Management Command. The postal mail address is U.S. Army TACOM Life Cycle Management Command, ATTN: AMSTA-LC-LMPP / TECH PUBS, 1 Rock Island Arsenal, Rock Island, IL 61299-7630. The email address is tacomlcmc.daform2028@us.army.mil. The fax number is DSN 793-0726 or Commercial (309) 782-0726.

CURRENT AS OF 30 April 2008

***SUPERSEDURE NOTICE** — Supersedes TM 9-2350-277-20-3, 24 July 1994, including all changes.

DISTRIBUTION STATEMENT A — Approved for public release; distribution is unlimited.

TABLE OF CONTENTS

Volume 3

WP Sequence No.

CHAPTER 8 — UNIT MAINTENANCE INSTRUCTIONS FOR ELECTRICAL SYSTEM

ADJUST GENERATOR DRIVE BELT.....	0252 00
REPLACE GENERATOR DRIVE BELT.....	0253 00
REPLACE GENERATOR TURNBUCKLE PARTS.....	0254 00
REPLACE GENERATOR/BRACKET.....	0255 00
ADJUST VOLTAGE REGULATOR.....	0256 00
REPLACE REGULATOR ASSEMBLY.....	0257 00
REPLACE STARTER RELAY SWITCH.....	0258 00
REPLACE STARTER.....	0259 00
REPLACE MASTER SWITCH PANEL ASSEMBLY (M113A3, M1059A3, M1064A3, AND M58 ONLY).....	0260 00
REPLACE MASTER SWITCH PANEL ASSEMBLY (M577A3 AND M1068A3 ONLY).....	0261 00
REPLACE MASTER SWITCH (M113A3, M1059A3, M1064A3, AND M58 ONLY).....	0262 00
REPLACE AUXILIARY POWER (SLAVE) RECEPTACLE (M113A3, M1059A3, M1064A3, AND M58 ONLY).....	0263 00
REPLACE NATO AUXILIARY POWER (SLAVE) RECEPTACLE (M577A3 AND M1068A3 ONLY).....	0264 00
REPLACE UTILITY OUTLET RECEPTACLE.....	0265 00
REPLACE MASTER SWITCH TO DISTRIBUTION BOX LEAD (CIRCUIT 49) (M113A3, M1059A3, M1064A3, AND M58 ONLY).....	0266 00
REPLACE MASTER SWITCH TO DISTRIBUTION BOX LEAD (CIRCUIT 49) (M577A3 AND M1068A3 ONLY).....	0267 00
REPLACE MASTER SWITCH TO AUXILIARY POWER RECEPTACLE LEAD (CIRCUIT 50) (M113A3, M1059A3, M1064A3, AND M58).....	0268 00
REPLACE DISTRIBUTION BOX (M113A3, M1059A3, M1064A3, AND M58 ONLY).....	0269 00
REPAIR DISTRIBUTION BOX (M113A3, M1059A3, M1064A3, AND M58 ONLY).....	0270 00
REPLACE DISTRIBUTION BOX ASSEMBLY (M577A3 AND M1068A3 ONLY).....	0271 00
DELETED.....	0272 00
DELETED.....	0273 00
DELETED.....	0274 00
REPLACE BILGE PUMP CIRCUIT BREAKERS.....	0275 00
REPLACE REAR UTILITY RECEPTACLE CIRCUIT BREAKERS (M577A3 AND M1068A3 ONLY).....	0276 00
REPLACE FUEL SELECTOR SWITCH (M577A3 AND M1068A3 ONLY).....	0277 00
REPLACE BLOWER SWITCH (M577A3 AND M1068A3 ONLY).....	0278 00
REPLACE INSTRUMENT PANEL ASSEMBLY (OLD CONFIGURATION).....	0279 00
REPLACE INSTRUMENT PANEL ASSEMBLY (NEW CONFIGURATION).....	0279 01
REPLACE CIRCUIT BREAKER.....	0280 00
REPLACE FUEL SELECT SWITCH TO GAUGE LEAD (ALL EXCEPT M577A3 AND M1068A3).....	0281 00

TABLE OF CONTENTS (cont)

WP Sequence No.

REPLACE INSTRUMENT PANEL ON-OFF SWITCHES.....	0282 00
REPLACE MAIN LIGHT SWITCH.....	0283 00
REPLACE ENGINE START SWITCH.....	0284 00
REPLACE INSTRUMENT PANEL GAUGES.....	0285 00
REPLACE PANEL LIGHTS AND INDICATOR LIGHTS.....	0286 00
REPLACE INSTRUMENT PANEL WARNING LIGHTS.....	0287 00
REPLACE INSTRUMENT WARNING LIGHT PANEL.....	0288 00
REPLACE INSTRUMENT PANEL BATTERY-GENERATOR GAUGE WIRING HARNES.....	0289 00
REPLACE INSTRUMENT PANEL SPECIAL PURPOSE CABLE.....	0290 00
REPLACE WARNING LIGHT PANEL ASSEMBLY (ALL EXCEPT M58).....	0291 00
REPLACE WARNING LIGHT PANEL (ALL EXCEPT M58).....	0292 00
REPLACE HORN SWITCH (ALL EXCEPT M58).....	0293 00
REPLACE HORN SWITCH (M58 ONLY).....	0293 01
REPLACE WARNING PANEL LIGHTS (ALL EXCEPT M58).....	0294 00
REPLACE WARNING PANEL LIGHTS (M58 ONLY).....	0294 01
REPLACE INSTRUMENT PANEL MOUNTS AND GROUND LEAD (OLD CONFIGURATION).....	0295 00
REPLACE INSTRUMENT PANEL MOUNTS AND GROUND LEAD (NEW CONFIGURATION).....	0295 01
REPLACE TELEPOSTS AND COVER.....	0296 00
DELETED.....	0297 00
REPLACE STOP LIGHT-TAIL LIGHT AND GUARDS (ALL EXCEPT M577A3 AND M1068A3).....	0298 00
REPLACE LEFT STOP LIGHT-TAIL LIGHT (M577A3 AND M1068A3 ONLY).....	0299 00
REPAIR LEFT STOP LIGHT-TAIL LIGHT.....	0300 00
REPLACE RIGHT STOP LIGHT-TAIL LIGHT (M577A3 ONLY).....	0301 00
REPAIR RIGHT STOP LIGHT-TAIL LIGHT.....	0302 00
REPLACE SERVICE HEADLIGHTS.....	0303 00
REPAIR SERVICE HEADLIGHTS.....	0304 00
REPLACE BLACKOUT HEADLIGHT.....	0305 00
REPAIR BLACKOUT HEADLIGHT.....	0306 00
REPLACE BLACKOUT MARKER LIGHT.....	0307 00
REPAIR BLACKOUT MARKER LIGHT.....	0308 00
REPLACE DOME LIGHT (ALL EXCEPT M577A3 AND M1068A3).....	0309 00
REPAIR DOME LIGHT (ALL EXCEPT M577A3 AND M1068A3).....	0310 00
REPLACE DOME LIGHT (M577A3 AND M1068A3 ONLY).....	0311 00
REPAIR DOME LIGHT AND MOUNT (M577A3 AND M1068A3 ONLY).....	0312 00
REPLACE DOME LIGHT LENS (ALL EXCEPT M577A3 AND M1068A3).....	0313 00
REPLACE FRONT DOME LIGHT SWITCH (M577A3 AND M1068A3 ONLY).....	0314 00
REPLACE REAR DOME LIGHT SWITCH (M577A3 AND M1068A3 ONLY).....	0315 00

TABLE OF CONTENTS (cont)

WP Sequence No.

REPLACE DOME LIGHT CIRCUIT BREAKER (M577A3 AND M1068A3 ONLY).....0316 00

REPLACE DOME BLACKOUT LIGHT BYPASS SWITCH (M577A3 AND M1068A3 ONLY).....0317 00

REPLACE TENT LIGHT ASSEMBLY (M577A3 AND M1068A3 ONLY).....0318 00

DELETED.....0319 00

REPLACE ENGINE OIL LOW PRESSURE TRANSMITTER AND HARDWARE.....0320 00

REPLACE COOLANT TEMPERATURE TRANSMITTER.....0321 00

REPLACE VARIABLE SPEED FAN DRIVE SENSORS AND SWITCHES (NEW CONFIGURATION).....0321 01

REPLACE TRANSMISSION OIL HIGH TEMPERATURE SWITCH.....0322 00

REPLACE GENERATOR FIELD PRESSURE SWITCH.....0323 00

REPLACE FUEL SUPPLY PRESSURE TRANSDUCER.....0324 00

REPLACE FUEL RETURN PRESSURE TRANSDUCER.....0325 00

REPLACE TURBO OUTLET PRESSURE TRANSDUCER.....0326 00

REPLACE AIR BOX PRESSURE TRANSDUCER.....0327 00

REPLACE FUEL FILTER DIFFERENTIAL PRESSURE SWITCH.....0328 00

REPLACE AUXILIARY TANK FLUID LEVEL DETECTOR.....0329 00

REPLACE STEERING LOCK SWITCH.....0330 00

REPLACE PARKING BRAKE SWITCH/BRACKET.....0331 00

REPLACE STOP SWITCH.....0332 00

REPLACE HEADLIGHT HIGH BEAM SELECTOR SWITCH.....0333 00

REPLACE ADMITTANCE BUZZER AND SWITCH (M577A3 AND M1068A3 ONLY).....0334 00

REPLACE RAMP DOOR SWITCH AND MOUNT (M577A3 AND M1068A3 ONLY).....0335 00

REPLACE HORN AND GROUND LEAD.....0336 00

DISCONNECT/CONNECT BATTERY GROUND STRAP (M113A3, M1059A3, M1064A3, AND M58 ONLY).....0337 00

DISCONNECT/CONNECT BATTERY GROUND LEAD (M577A3 AND M1068A3 ONLY).....0338 00

DELETED.....0339 00

REPLACE BATTERY LEADS AND TERMINALS (M113A3 AND M1059A3 ONLY).....0340 00

REPLACE BATTERY LEADS AND TERMINALS (M577A3 AND M1068A3 ONLY).....0341 00

DELETED.....0342 00

REPLACE BATTERY LEADS AND TERMINALS (LEFT SIDE) (M1064A3 ONLY).....0343 00

REPLACE BATTERY LEADS AND TERMINALS (RIGHT SIDE) (M1064A3 ONLY).....0344 00

REPLACE BATTERY LEADS AND TERMINALS (M58 ONLY).....0345 00

REPLACE BATTERIES AND RETAINERS (M113A3 AND M1059A3 ONLY).....0346 00

REPLACE BATTERIES AND RETAINERS (M577A3 AND M1068A3 ONLY).....0347 00

REPLACE BATTERIES AND BATTERY BOX (M58 ONLY).....0348 00

REPLACE BATTERIES AND RETAINERS (M1064A3 ONLY)0349 00

REPAIR BATTERY BOX (M113A3 AND M1059A3 ONLY).....0350 00

REPAIR BATTERY BOX (M577A3 AND M1068A3 ONLY).....0351 00

TABLE OF CONTENTS (cont)

WP Sequence No.

REPAIR BATTERY BOX ACCESS COVER (M577A3 AND M1068A3 ONLY).....	0352 00
REPAIR BATTERY DRAWER (M1064A3 ONLY).....	0353 00
REPAIR BATTERY BOX (RIGHT SIDE) (M1064A3).....	0354 00
REPLACE BATTERY BOX VENT FITTING (M58 ONLY).....	0355 00
REPLACE BATTERY TO MASTER SWITCH LEAD (CIRCUIT 6) (M113A3 AND M1059A3 ONLY).....	0356 00
REPLACE BATTERY TO MASTER SWITCH LEAD (CIRCUIT 6) (M577A3 AND M1068A3 ONLY).....	0357 00
REPLACE BATTERY TO MASTER SWITCH LEAD (CIRCUIT 6) (M1064A3 ONLY).....	0358 00
REPLACE ENGINE WIRING HARNESS.....	0359 00
REPLACE VARIABLE SPEED FAN DRIVE WIRING HARNESS, 3W1 (NEW CONFIGURATION).....	0359 01
REPLACE TRANSMISSION WIRING HARNESS	0360 00
REPLACE TRANSMISSION CONTROLLER WIRING HARNESS.....	0361 00
REPLACE REAR MAIN WIRING HARNESS (M113A3, M1059A3, AND M58).....	0362 00
REPLACE REAR MAIN WIRING HARNESS (M577A3 ONLY).....	0363 00
REPLACE REAR MAIN WIRING HARNESS (M1064A3 ONLY).....	0364 00
REPLACE REAR MAIN WIRING HARNESS (M1068A3 ONLY).....	0365 00
REPLACE SMOKE GRENADE LAUNCHER WIRING HARNESS (M113A3, M1059A3, AND M58 ONLY).....	0366 00
REPLACE STEERING LOCK SWITCH WIRING HARNESS (ALL EXCEPT M58).....	0367 00
REPLACE STEERING LOCK SWITCH WIRING HARNESS (M58 ONLY).....	0367 01
REPLACE DRIVER'S NIGHT VISION (DNV) (AN/VVS-2) POWER SUPPLY CABLE ASSEMBLY (ALL EXCEPT M58).....	0368 00
REPLACE BATTERY-TO-RADIO WIRING HARNESS (LEFT SIDE) (M113A3 AND M1059A3 ONLY).....	0369 00
REPLACE BATTERY-TO-RADIO WIRING HARNESS (RIGHT SIDE) (M113A3 ONLY).....	0370 00
DELETED.....	0371 00
DELETED.....	0372 00
REPLACE RIGHT HEADLIGHT WIRING HARNESS.....	0373 00
REPLACE WARNING PANEL WIRING HARNESS.....	0374 00
REPLACE TRAILER HARNESS.....	0375 00
REPLACE RADIAC WIRE HARNESS (M113A3, M577A3, AND M1068A3 ONLY).....	0376 00
REPLACE UTILITY OUTLET LEAD ASSEMBLY (M577A3 AND M1068A3 ONLY).....	0377 00
REPLACE REAR UTILITY OUTLET RECEPTACLES (M577A3 AND M1068A3 ONLY).....	0378 00
REPLACE AUXILIARY POWER (SLAVE) RECEPTACLE GROUND LEAD (M113A3, M1059A3, M1064A3, AND M58 ONLY).....	0379 00
REPLACE MASTER SWITCH PANEL DOME LIGHTS LEAD ASSEMBLY (M577A3 AND M1068A3 ONLY).....	0380 00
REPAIR INTERVEHICLE POWER CABLE (M577A3 AND M1068A3 ONLY).....	0381 00
REPAIR WIRING HARNESS.....	0382 00

TABLE OF CONTENTS (cont)

WP Sequence No.

REPLACE VENTILATION FAN (M577A3 AND M1068A3 ONLY).....	0383 00
CHAPTER 9 — UNIT MAINTENANCE INSTRUCTIONS FOR TRANSMISSION	
REPLACE TRANSMISSION OIL DRAIN TUBES AND BRACKET.....	0384 00
REPLACE TRANSMISSION MOUNTS.....	0385 00
REPLACE TRANSMISSION RANGE CONTROLLER/BRACKET (USED WITH SOLENOID-ACTIVATED STEERING LOCK).....	0386 00
REPLACE TRANSMISSION RANGE CONTROLLER/BRACKET (USED WITH CABLE-ACTIVATED STEERING LOCK).....	0387 00
REPLACE TRANSMISSION RANGE CONTROLLER LAMP.....	0388 00
REPLACE TRANSMISSION RANGE CONTROLLER SWITCH.....	0389 00
ADJUST TOW START CONTROL CABLE ASSEMBLY.....	0390 00
REPLACE TOW START CONTROL ASSEMBLY AND BEARING.....	0391 00
REPLACE TOW START CONTROL ASSEMBLY COVER.....	0392 00
ADJUST TRANSMISSION STEERING.....	0393 00
ADJUST TRANSMISSION BRAKES.....	0394 00
REPLACE TRANSMISSION OIL LEVEL DIPSTICK, FILLER TUBE, AND ADAPTER (X200-4 ONLY).....	0395 00
REPLACE TRANSMISSION OIL LEVEL DIPSTICK, FILLER TUBE, AND ADAPTER (X200-4A ONLY).....	0396 00
REPLACE GOVERNOR ASSEMBLY.....	0397 00
REPLACE TRANSMISSION OIL AND OIL FILTER ELEMENT.....	0398 00
REPLACE TRANSMISSION OIL COOLER HOSES, FITTINGS, AND MOUNTING.....	0399 00
REPLACE TRANSMISSION OIL SAMPLING VALVE AND PRESSURE SWITCH.....	0400 00
REPLACE DIFFERENTIAL PRESSURE SWITCH AND BYPASS PLUG.....	0401 00
CHAPTER 10 — UNIT MAINTENANCE INSTRUCTIONS FOR TRANSFER AND FINAL DRIVE ASSEMBLIES	
REPLACE FINAL DRIVE FILLER TUBE AND DIPSTICK.....	0402 00
REPLACE FINAL DRIVE.....	0403 00
REPLACE FINAL DRIVE DIFFERENTIAL OIL SEAL.....	0404 00
CHAPTER 11 — UNIT MAINTENANCE INSTRUCTIONS FOR PROPELLER SHAFTS AND UNIVERSAL JOINTS	
REPLACE PROPELLER SHAFT AND UNIVERSAL JOINTS.....	0405 00
CHAPTER 12 — UNIT MAINTENANCE INSTRUCTIONS FOR BRAKES	
CHECK TRANSMISSION BRAKE ADJUSTMENT.....	0406 00
ADJUST SERVICE BRAKE CONTROL LINKAGE.....	0407 00
ADJUST PARKING BRAKE	0408 00
REPLACE UPPER AND LOWER SERVICE BRAKE PEDAL.....	0409 00
REPLACE SERVICE BRAKE CONTROL LINKAGE.....	0410 00
REPLACE PARKING BRAKE CONTROL CABLE ASSEMBLY	0411 00
REPLACE PARKING BRAKE CONTROL LEVER ASSEMBLY	0412 00

CHAPTER 8
UNIT MAINTENANCE INSTRUCTIONS
FOR ELECTRICAL SYSTEM

WORK PACKAGE INDEX

<u>Title</u>	<u>Sequence No.</u>
ADJUST GENERATOR DRIVE BELT.....	.0252 00
REPLACE GENERATOR DRIVE BELT.....	.0253 00
REPLACE GENERATOR TURNBUCKLE PARTS.....	.0254 00
REPLACE GENERATOR/BRACKET.....	.0255 00
ADJUST VOLTAGE REGULATOR.....	.0256 00
REPLACE REGULATOR ASSEMBLY.....	.0257 00
REPLACE STARTER RELAY SWITCH.....	.0258 00
REPLACE STARTER.....	.0259 00
REPLACE MASTER SWITCH PANEL ASSEMBLY (M113A3, M1059A3, M1064A3, AND M58 ONLY).....	.0260 00
REPLACE MASTER SWITCH PANEL ASSEMBLY (M577A3 AND M1068A3 ONLY).....	.0261 00
REPLACE MASTER SWITCH (M113A3, M1059A3, M1064A3, AND M58 ONLY).....	.0262 00
REPLACE AUXILIARY POWER (SLAVE) RECEPTACLE (M113A3, M1059A3, M1064A3, AND M58 ONLY).....	.0263 00
REPLACE NATO AUXILIARY POWER (SLAVE) RECEPTACLE (M577A3 AND M1068A3 ONLY).....	.0264 00
REPLACE UTILITY OUTLET RECEPTACLE.....	.0265 00
REPLACE MASTER SWITCH TO DISTRIBUTION BOX LEAD (CIRCUIT 49) (M113A3, M1059A3, M1064A3, AND M58 ONLY).....	.0266 00
REPLACE MASTER SWITCH TO DISTRIBUTION BOX LEAD (CIRCUIT 49) (M577A3 AND M1068A3 ONLY).....	.0267 00
REPLACE MASTER SWITCH TO AUXILIARY POWER RECEPTACLE LEAD (CIRCUIT 50) (M113A3, M1059A3, M1064A3, AND M58).....	.0268 00
REPLACE DISTRIBUTION BOX (M113A3, M1059A3, M1064A3, AND M58 ONLY).....	.0269 00
REPAIR DISTRIBUTION BOX (M113A3, M1059A3, M1064A3, AND M58 ONLY).....	.0270 00
REPLACE DISTRIBUTION BOX ASSEMBLY (M577A3 AND M1068A3 ONLY).....	.0271 00
DELETED.....	.0272 00
DELETED.....	.0273 00
DELETED.....	.0274 00
REPLACE BILGE PUMP CIRCUIT BREAKERS.....	.0275 00
REPLACE REAR UTILITY RECEPTACLE CIRCUIT BREAKERS (M577A3 AND M1068A3 ONLY).....	.0276 00
REPLACE FUEL SELECTOR SWITCH (M577A3 AND M1068A3 ONLY).....	.0277 00
REPLACE BLOWER SWITCH (M577A3 AND M1068A3 ONLY).....	.0278 00
REPLACE INSTRUMENT PANEL ASSEMBLY (OLD CONFIGURATION).....	.0279 00
REPLACE INSTRUMENT PANEL ASSEMBLY (NEW CONFIGURATION).....	.0279 01
REPLACE CIRCUIT BREAKER.....	.0280 00

CHAPTER 8
UNIT MAINTENANCE INSTRUCTIONS
FOR ELECTRICAL SYSTEM

WORK PACKAGE INDEX (Continued)

Title	Sequence No.
REPLACE FUEL SELECT SWITCH TO GAUGE LEAD (ALL EXCEPT M577A3 AND M1068A3).....	0281 00
REPLACE INSTRUMENT PANEL ON-OFF SWITCHES.....	0282 00
REPLACE MAIN LIGHT SWITCH.....	0283 00
REPLACE ENGINE START SWITCH.....	0284 00
REPLACE INSTRUMENT PANEL GAUGES.....	0285 00
REPLACE PANEL LIGHTS AND INDICATOR LIGHTS.....	0286 00
REPLACE INSTRUMENT PANEL WARNING LIGHTS.....	0287 00
REPLACE INSTRUMENT WARNING LIGHT PANEL.....	0288 00
REPLACE INSTRUMENT PANEL BATTERY-GENERATOR GAUGE WIRING HARNESS.....	0289 00
REPLACE INSTRUMENT PANEL SPECIAL PURPOSE CABLE.....	0290 00
REPLACE WARNING LIGHT PANEL ASSEMBLY (ALL EXCEPT M58).....	0291 00
REPLACE WARNING LIGHT PANEL (ALL EXCEPT M58).....	0292 00
REPLACE HORN SWITCH (ALL EXCEPT M58).....	0293 00
REPLACE HORN SWITCH (M58 ONLY).....	0293 01
REPLACE WARNING PANEL LIGHTS (ALL EXCEPT M58).....	0294 00
REPLACE WARNING PANEL LIGHTS (M58 ONLY).....	0294 01
REPLACE INSTRUMENT PANEL MOUNTS AND GROUND LEAD (OLD CONFIGURATION).....	0295 00
REPLACE INSTRUMENT PANEL MOUNTS AND GROUND LEAD (NEW CONFIGURATION).....	0295 01
REPLACE TELEPOSTS AND COVER.....	0296 00
DELETED.....	0297 00
REPLACE STOP LIGHT-TAIL LIGHT AND GUARDS (ALL EXCEPT M577A3 AND M1068A3).....	0298 00
REPLACE LEFT STOP LIGHT-TAIL LIGHT (M577A3 AND M1068A3 ONLY).....	0299 00
REPAIR LEFT STOP LIGHT-TAIL LIGHT.....	0300 00
REPLACE RIGHT STOP LIGHT-TAIL LIGHT (M577A3 ONLY).....	0301 00
REPAIR RIGHT STOP LIGHT-TAIL LIGHT.....	0302 00
REPLACE SERVICE HEADLIGHTS.....	0303 00
REPAIR SERVICE HEADLIGHTS.....	0304 00
REPLACE BLACKOUT HEADLIGHT.....	0305 00
REPAIR BLACKOUT HEADLIGHT.....	0306 00
REPLACE BLACKOUT MARKER LIGHT.....	0307 00
REPAIR BLACKOUT MARKER LIGHT.....	0308 00
REPLACE DOME LIGHT (ALL EXCEPT M577A3 AND M1068A3).....	0309 00
REPAIR DOME LIGHT (ALL EXCEPT M577A3 AND M1068A3).....	0310 00

CHAPTER 8
UNIT MAINTENANCE INSTRUCTIONS
FOR ELECTRICAL SYSTEM

WORK PACKAGE INDEX (Continued)

<u>Title</u>	<u>Sequence No.</u>
REPLACE DOME LIGHT (M577A3 AND M1068A3 ONLY).....	0311 00
REPAIR DOME LIGHT AND MOUNT (M577A3 AND M1068A3 ONLY).....	0312 00
REPLACE DOME LIGHT LENS (ALL EXCEPT M577A3 AND M1068A3).....	0313 00
REPLACE FRONT DOME LIGHT SWITCH (M577A3 AND M1068A3 ONLY).....	0314 00
REPLACE REAR DOME LIGHT SWITCH (M577A3 AND M1068A3 ONLY).....	0315 00
REPLACE DOME LIGHT CIRCUIT BREAKER (M577A3 AND M1068A3 ONLY).....	0316 00
REPLACE DOME BLACKOUT LIGHT BYPASS SWITCH (M577A3 AND M1068A3 ONLY).....	0317 00
REPLACE TENT LIGHT ASSEMBLY (M577A3 AND M1068A3 ONLY).....	0318 00
DELETED.....	0319 00
REPLACE ENGINE OIL LOW PRESSURE TRANSMITTER AND HARDWARE.....	0320 00
REPLACE COOLANT TEMPERATURE TRANSMITTER.....	0321 00
REPLACE VARIABLE SPEED FAN DRIVE SENSORS AND SWITCHES (NEW CONFIGURATION).....	0321 01
REPLACE TRANSMISSION OIL HIGH TEMPERATURE SWITCH.....	0322 00
REPLACE GENERATOR FIELD PRESSURE SWITCH.....	0323 00
REPLACE FUEL SUPPLY PRESSURE TRANSDUCER.....	0324 00
REPLACE FUEL RETURN PRESSURE TRANSDUCER.....	0325 00
REPLACE TURBO OUTLET PRESSURE TRANSDUCER.....	0326 00
REPLACE AIR BOX PRESSURE TRANSDUCER.....	0327 00
REPLACE FUEL FILTER DIFFERENTIAL PRESSURE SWITCH.....	0328 00
REPLACE AUXILIARY TANK FLUID LEVEL DETECTOR.....	0329 00
REPLACE STEERING LOCK SWITCH.....	0330 00
REPLACE PARKING BRAKE SWITCH/BRACKET.....	0331 00
REPLACE STOP SWITCH.....	0332 00
REPLACE HEADLIGHT HIGH BEAM SELECTOR SWITCH.....	0333 00
REPLACE ADMITTANCE BUZZER AND SWITCH (M577A3 AND M1068A3 ONLY).....	0334 00
REPLACE RAMP DOOR SWITCH AND MOUNT (M577A3 AND M1068A3 ONLY).....	0335 00
REPLACE HORN AND GROUND LEAD.....	0336 00
DISCONNECT/CONNECT BATTERY GROUND STRAP (M113A3, M1059A3, M1064A3, AND M58 ONLY).....	0337 00
DISCONNECT/CONNECT BATTERY GROUND LEAD (M577A3 AND M1068A3 ONLY).....	0338 00
DELETED.....	0339 00
REPLACE BATTERY LEADS AND TERMINALS (M113A3 AND M1059A3 ONLY).....	0340 00
REPLACE BATTERY LEADS AND TERMINALS (M577A3 AND M1068A3 ONLY).....	0341 00
DELETED.....	0342 00
REPLACE BATTERY LEADS AND TERMINALS (LEFT SIDE) (M1064A3 ONLY).....	0343 00

CHAPTER 8
UNIT MAINTENANCE INSTRUCTIONS
FOR ELECTRICAL SYSTEM

WORK PACKAGE INDEX (Continued)

<u>Title</u>	<u>Sequence No.</u>
REPLACE BATTERY LEADS AND TERMINALS (RIGHT SIDE) (M1064A3 ONLY).....	0344 00
REPLACE BATTERY LEADS AND TERMINALS (M58 ONLY).....	0345 00
REPLACE BATTERIES AND RETAINERS (M113A3 AND M1059A3 ONLY).....	0346 00
REPLACE BATTERIES AND RETAINERS (M577A3 AND M1068A3 ONLY).....	0347 00
REPLACE BATTERIES AND BATTERY BOX (M58 ONLY).....	0348 00
REPLACE BATTERIES AND RETAINERS (M1064A3 ONLY)	0349 00
REPAIR BATTERY BOX (M113A3 AND M1059A3 ONLY).....	0350 00
REPAIR BATTERY BOX (M577A3 AND M1068A3 ONLY).....	0351 00
REPAIR BATTERY BOX ACCESS COVER (M577A3 AND M1068A3 ONLY).....	0352 00
REPAIR BATTERY DRAWER (M1064A3 ONLY).....	0353 00
REPAIR BATTERY BOX (RIGHT SIDE) (M1064A3).....	0354 00
REPLACE BATTERY BOX VENT FITTING (M58 ONLY).....	0355 00
REPLACE BATTERY TO MASTER SWITCH LEAD (CIRCUIT 6) (M113A3 AND M1059A3 ONLY).....	0356 00
REPLACE BATTERY TO MASTER SWITCH LEAD (CIRCUIT 6) (M577A3 AND M1068A3 ONLY).....	0357 00
REPLACE BATTERY TO MASTER SWITCH LEAD (CIRCUIT 6) (M1064A3 ONLY).....	0358 00
REPLACE ENGINE WIRING HARNESS.....	0359 00
REPLACE VARIABLE SPEED FAN DRIVE WIRING HARNESS, 3W1 (NEW CONFIGURATION).....	0359 01
REPLACE TRANSMISSION WIRING HARNESS	0360 00
REPLACE TRANSMISSION CONTROLLER WIRING HARNESS.....	0361 00
REPLACE REAR MAIN WIRING HARNESS (M113A3, M1059A3, AND M58).....	0362 00
REPLACE REAR MAIN WIRING HARNESS (M577A3 ONLY).....	0363 00
REPLACE REAR MAIN WIRING HARNESS (M1064A3 ONLY).....	0364 00
REPLACE REAR MAIN WIRING HARNESS (M1068A3 ONLY).....	0365 00
REPLACE SMOKE GRENADE LAUNCHER WIRING HARNESS (M113A3, M1059A3, AND M58 ONLY).....	0366 00
REPLACE STEERING LOCK SWITCH WIRING HARNESS (ALL EXCEPT M58).....	0367 00
REPLACE STEERING LOCK SWITCH WIRING HARNESS (M58 ONLY).....	0367 01
REPLACE DRIVER'S NIGHT VISION (DNV) (AN/VVS-2) POWER SUPPLY CABLE ASSEMBLY (ALL EXCEPT M58).....	0368 00
REPLACE BATTERY-TO-RADIO WIRING HARNESS (LEFT SIDE) (M113A3 AND M1059A3 ONLY).....	0369 00
REPLACE BATTERY-TO-RADIO WIRING HARNESS (RIGHT SIDE) (M113A3 ONLY).....	0370 00
DELETED.....	0371 00
DELETED.....	0372 00

CHAPTER 8
UNIT MAINTENANCE INSTRUCTIONS
FOR ELECTRICAL SYSTEM

WORK PACKAGE INDEX (Continued)

<u>Title</u>	<u>Sequence No.</u>
REPLACE RIGHT HEADLIGHT WIRING HARNESS.....	0373 00
REPLACE WARNING PANEL WIRING HARNESS.....	0374 00
REPLACE TRAILER HARNESS.....	0375 00
REPLACE RADIAC WIRE HARNESS (M113A3, M577A3, AND M1068A3 ONLY).....	0376 00
REPLACE UTILITY OUTLET LEAD ASSEMBLY (M577A3 AND M1068A3 ONLY).....	0377 00
REPLACE REAR UTILITY OUTLET RECEPTACLES (M577A3 AND M1068A3 ONLY).....	0378 00
REPLACE AUXILIARY POWER (SLAVE) RECEPTACLE GROUND LEAD (M113A3, M1059A3, M1064A3, AND M58 ONLY).....	0379 00
REPLACE MASTER SWITCH PANEL DOME LIGHTS LEAD ASSEMBLY (M577A3 AND M1068A3 ONLY).....	0380 00
REPAIR INTERVEHICLE POWER CABLE (M577A3 AND M1068A3 ONLY).....	0381 00
REPAIR WIRING HARNESS.....	0382 00
REPLACE VENTILATION FAN (M577A3 AND M1068A3 ONLY).....	0383 00

ADJUST GENERATOR DRIVE BELT

0252 00

THIS WORK PACKAGE COVERS:

Adjustment (page 0252 00-2).

INITIAL SETUP:

Maintenance Level

Unit

Personnel Required

Unit Mechanic

Tools and Special Tools

General Mechanic's Tool Kit (WP 0926 00, Item 65)
 Tensiometer (WP 0926 00, Item 59)
 Torque Wrench (WP 0926 00, Item 85)
 Yardstick (WP 0926 00, Item 87)
 Yardstick (WP 0926 00, Item 88)

References

See your -10

Equipment Condition

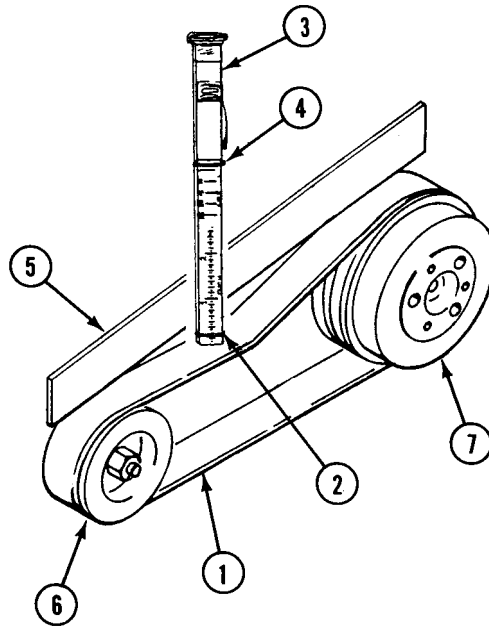
Engine stopped (see your -10)
 Carrier blocked (see your -10)
 Rear power plant access panels removed (see your -10)

ADJUSTMENT

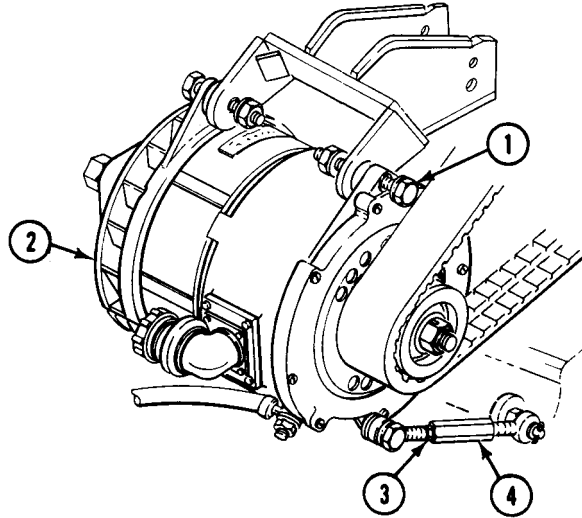
NOTE

To allow for initial belt stretching, make sure belt tension is rechecked after 30 minutes of operation.

1. Check generator drive belt (1) for damage. If damaged, replace drive belt (WP 0253 00).
2. Position lower O-ring (2) on tensiometer (3) at maximum allowable belt deflection of 1/4 inch (0.6 cm) to 3/8 inch (1.0 cm).
3. Position upper O-ring (4) on tensiometer (3) to zero.
4. Place yardstick (5) on pulleys (6) and (7).
5. Place tensiometer (3) on belt (1) at midspan and at right angle to belt.
6. Press on top of tensiometer (3) until lower O-ring (2) aligns with bottom of yardstick (5). Remove tensiometer.
7. Take tensiometer reading at point where upper O-ring (4) stopped. Initial reading must be 15-17 lbs (7-8 kg). After 30 minutes of operation, reading must be 12-14 lbs (5-6 kg).



8. Adjust drive belt as follows:
 - a. Loosen two support screws (1) on top of generator (2).
 - b. Loosen jamnut (3) and adjust turnbuckle (4) until belt is at the right tension. Tighten jamnut.
 - c. **TIGHTEN TWO SUPPORT SCREWS (1) TO 56-61 LB-FT (76-81 N·m) TORQUE.**

**FOLLOW-THROUGH STEPS**

1. Install rear power plant access panels (see your -10).

END OF TASK

REPLACE GENERATOR DRIVE BELT

0253 00

THIS WORK PACKAGE COVERS:

Removal (page 0253 00-1).
 Installation (page 0253 00-2).

INITIAL SETUP:

Maintenance Level

Unit

References

See your -10

Tools and Special Tools

General Mechanic's Tool Kit (WP 0926 00, Item 65)

Equipment Condition

Engine stopped (see your -10)
 Carrier blocked (see your -10)
 Lower rear power plant access panel removed (see your -10)
 Driver's power plant access panel removed (see your -10)

Materials/Parts

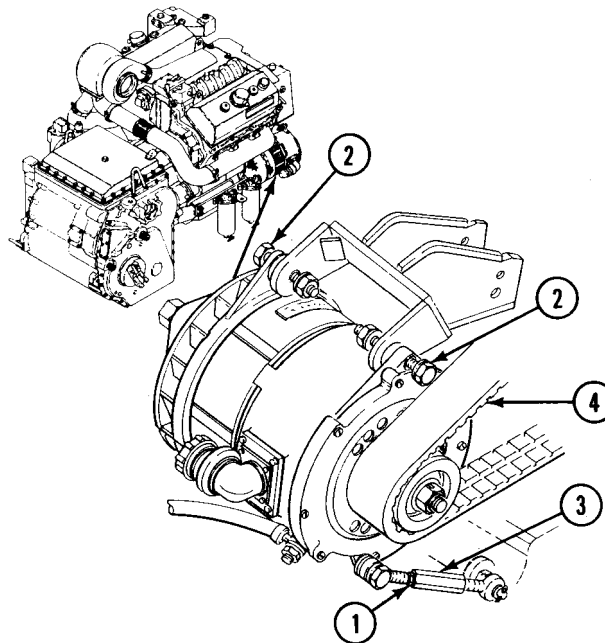
Belt

Personnel Required

Unit Mechanic

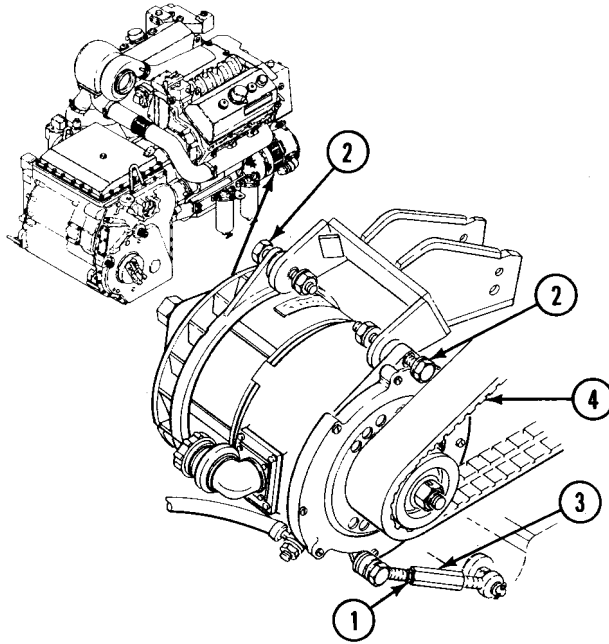
REMOVAL

1. Loosen turnbuckle jam nut (1).
2. Loosen two generator mounting screws (2).
3. Loosen turnbuckle (3) and remove drive belt (4). Discard belt.



INSTALLATION

1. Install new drive belt (4).



2. Adjust drive belt (WP 0252 00).

FOLLOW-THROUGH STEPS

1. Install lower rear power plant access panel (see your -10).
2. Install driver's power plant access panel (see your -10).

END OF TASK

REPLACE GENERATOR TURNBUCKLE PARTS

0254 00

THIS WORK PACKAGE COVERS:

Removal (page 0254 00-1).
 Installation (page 0254 00-2).

INITIAL SETUP:

Maintenance Level

Unit

References

TM 9-2350-277-10

Tools and Special Tools

General Mechanic's Tool Kit (WP 0926 00, Item 65)

Equipment Condition

Engine stopped (see your -10)

Carrier blocked (see your -10)

Materials/Parts

Cotter pin

Lockwasher

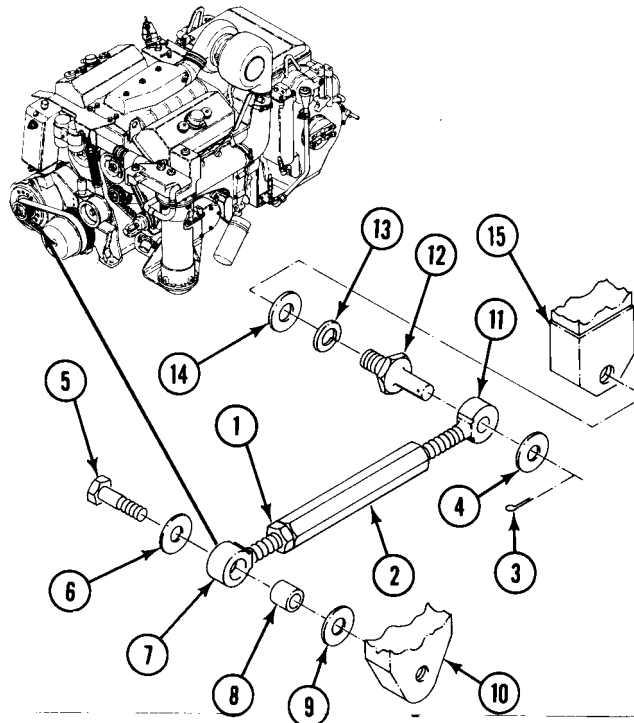
Lower rear power plant access panel removed
 (see your -10)

Personnel Required

Unit Mechanic

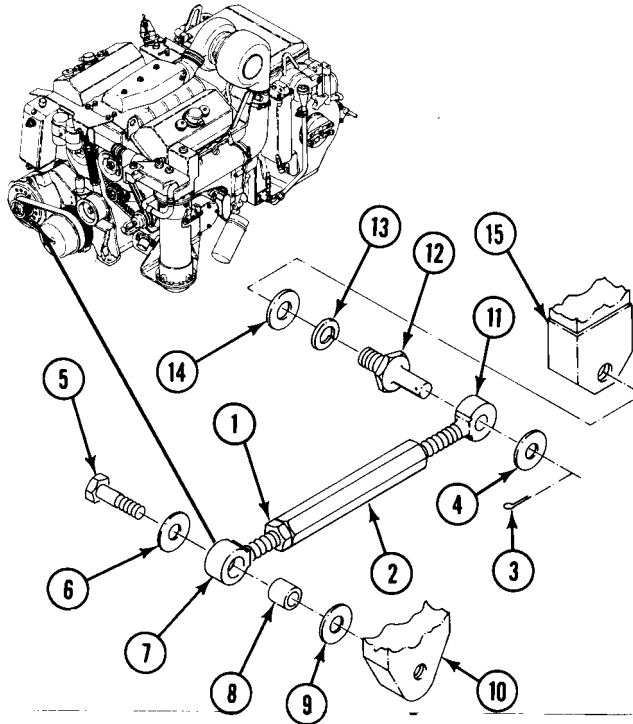
REMOVAL

1. Loosen jam nut (1). Rotate turnbuckle (2) to loosen drive belt.
2. Remove cotter pin (3) and washer (4). Discard cotter pin.
3. Remove screw (5), washer (6), turnbuckle screw end (7), spacer (8), and washer (9) from generator (10).
4. Remove turnbuckle screw ends (7) and (11) from turnbuckle sleeve (2).
5. Remove pin (12), lockwasher (13), and washer (14) from bracket (15). Discard lockwasher.



INSTALLATION

1. Install washer (14), new lockwasher (13), and pin (12) in bracket (15).
2. Install jam nut (1) on screw end (7). Install screw ends (7) and (11) into turnbuckle sleeve (2). Center screw ends in sleeve.
3. Install screw end (11) on pin (12) and secure with washer (4) and new cotter pin (3).
4. Install washer (6), screw (5), and spacer (8) in screw end (7). Install washer (9) on screw (5) and secure to generator (10).



FOLLOW-THROUGH STEPS

1. Adjust generator drive belt (WP 0252 00).
2. Install lower rear power plant access panel (see your -10).

END OF TASK

REPLACE GENERATOR/BRACKET

0255 00

THIS WORK PACKAGE COVERS:

Removal (page 0255 00-1).
 Installation (page 0255 00-4).

INITIAL SETUP:

Maintenance Level

Unit

References

See your -10

Tools and Special Tools

General Mechanic's Tool Kit (WP 0926 00, Item 65)
 Torque Wrench (WP 0926 00, Item 65)
 Puller (WP 0926 00, Item 38)

Equipment Condition

Engine stopped (see your -10)
 Carrier blocked (see your -10)
 Driver's power plant access panel removed (see your -10)
 Power plant lower rear access panel removed (see your -10)
 Battery ground strap disconnected (WP 0337 00), (WP 0338 00), or (WP 0339 00)
 Generator drive belt removed (WP 0253 00)

Materials/Parts

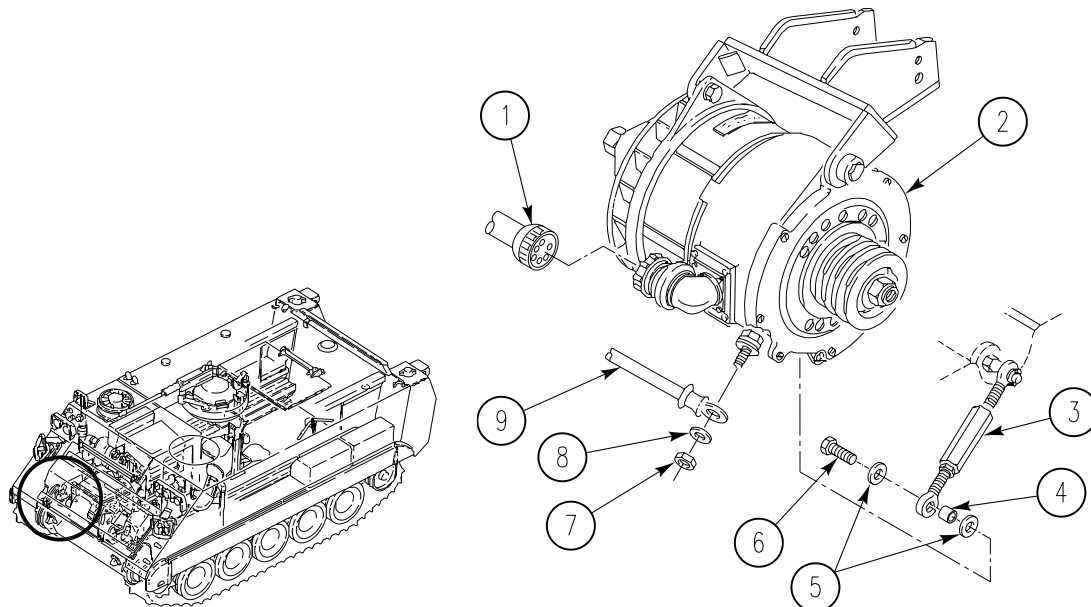
Locknut (2)
 Key

Personnel Required

Unit Mechanic
 Helper (H)

REMOVAL

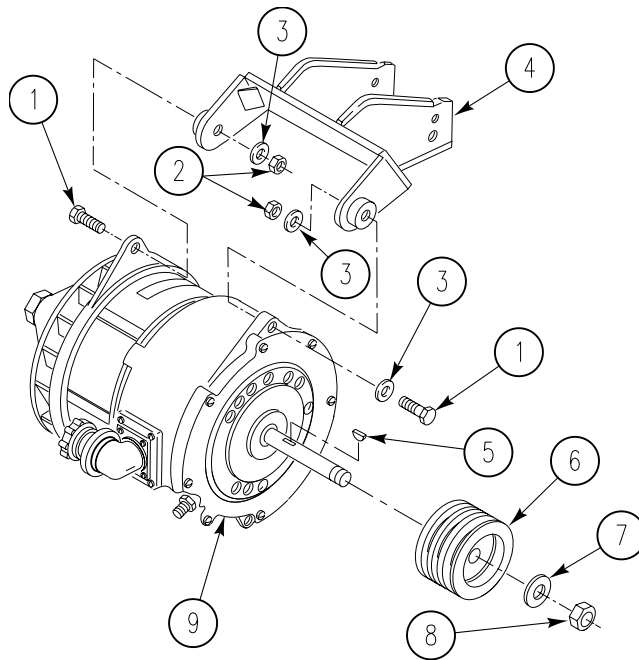
1. Remove nut (7), washer (8), and ground lead (9) from generator (2).
2. Remove harness circuit lead (1) from generator (2).
3. Remove screw (6), two washers (5), spacer (4), and turnbuckle (3) from generator (2).



WARNING

Generator weighs 80 lb (37 kg) and can cause back injury if handled improperly. Be sure to use a hoist or a helper to remove generator.

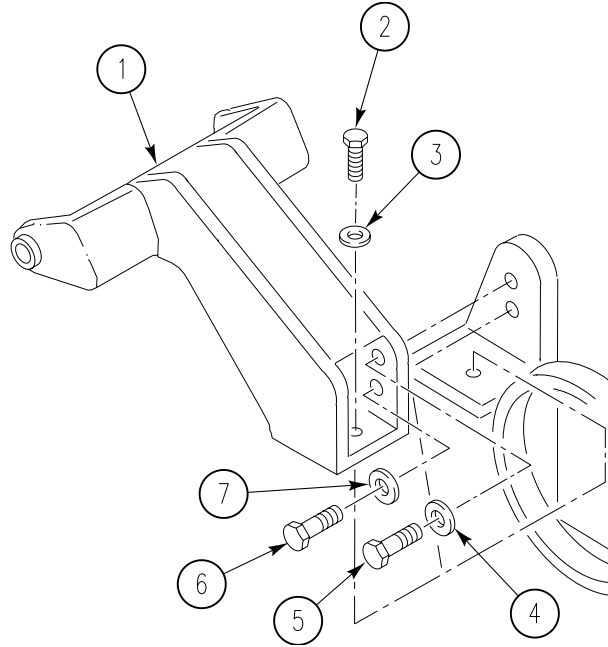
4. Remove two screws (1), locknuts (2), and three washers (3) from generator (9). Remove generator from bracket (4). Have helper assist. Discard locknuts.



NOTE

Do Step 5 if bracket needs to be removed.

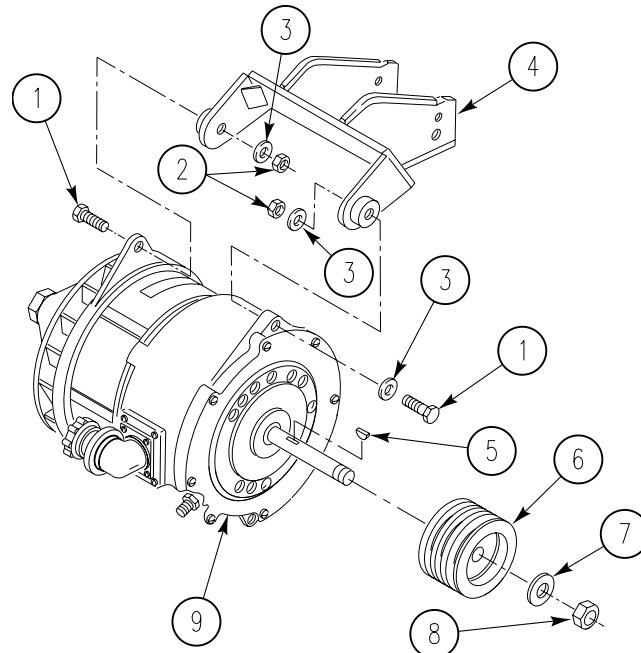
5. Remove three screws (2), (5), and (6), washers (3), (4), and (7), and bracket (1) from engine block.



NOTE

It may be necessary to use puller to remove pulley from generator.

6. Remove nut (8), washer (7), pulley (6), and key (5) from generator (9). Discard nut, washer and key.

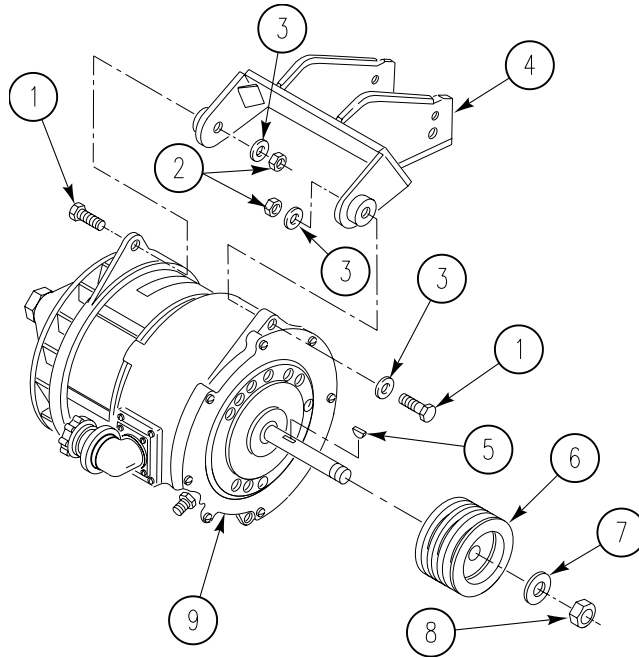


INSTALLATION

NOTE

Use nut and washer furnished with new generator.

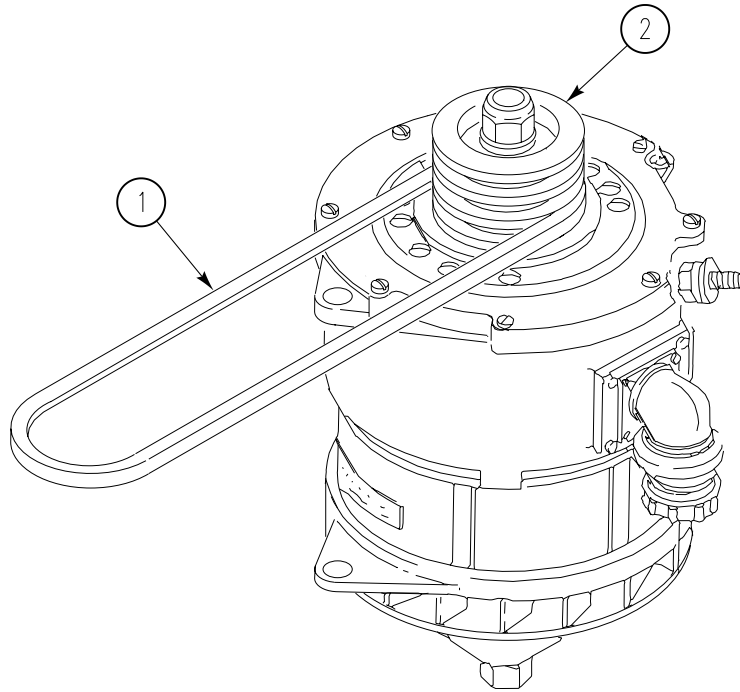
1. Install new key (5) and pulley (6) on new generator (9). Secure with new nut (8) and washer (7).



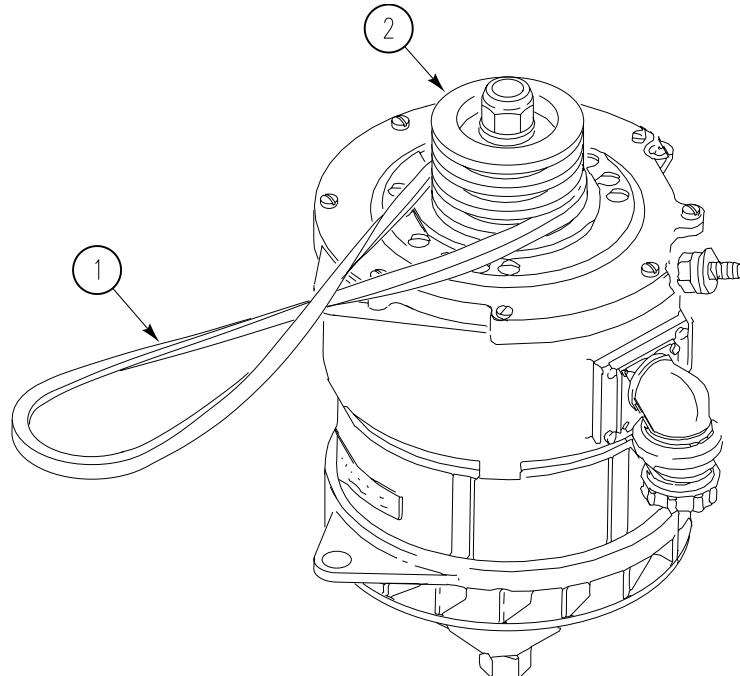
NOTE

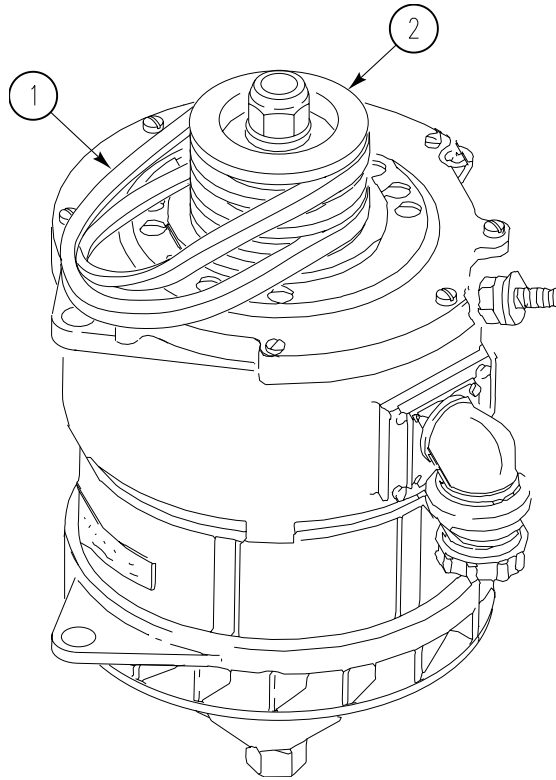
The pulley locknut must be tightened. Follow Steps 2 - 6. Performing these steps will lock the shaft in place with no damage. After the locknut is tightened, the generator is ready to be installed.

2. Loop the pulley belt (1) on the bottom groove of the pulley (2)

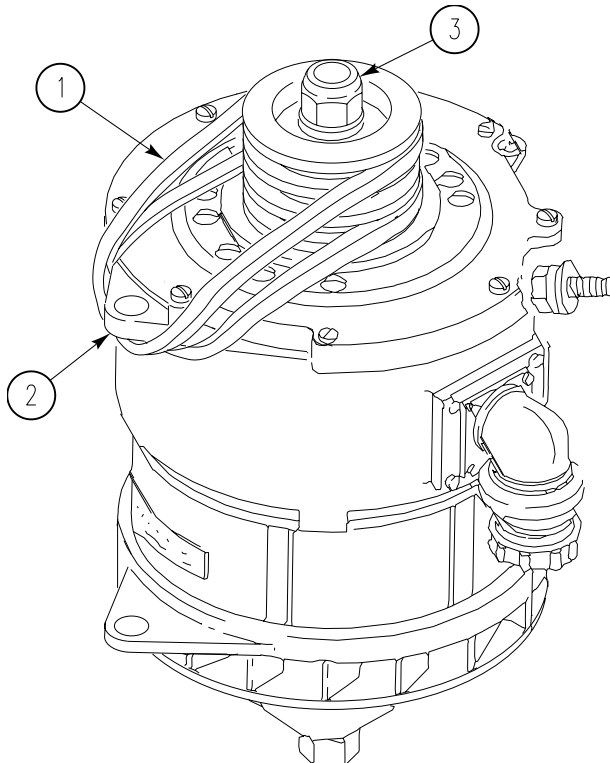


3. Cross the pulley belt (1) and put the other loop on the top groove of the pulley (2).

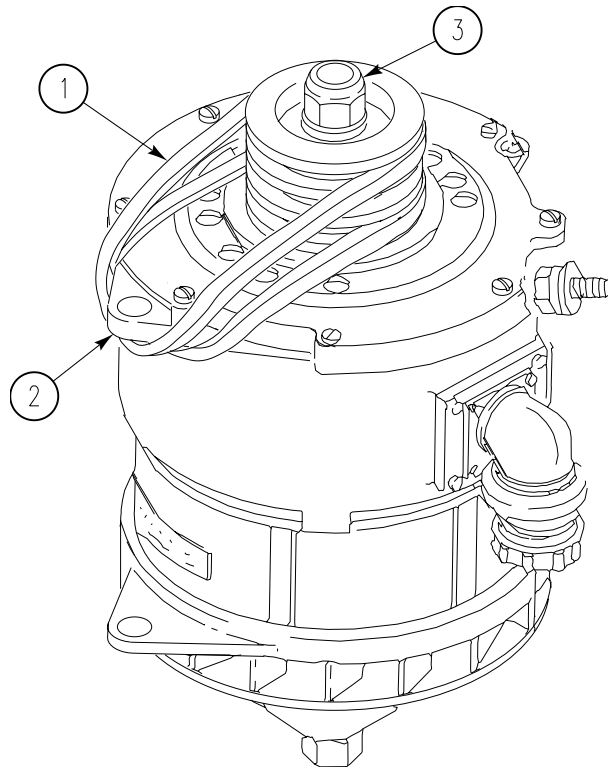




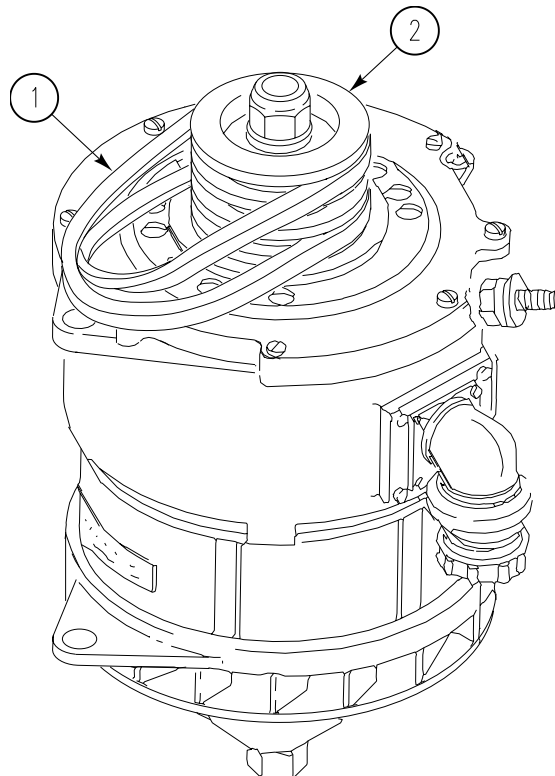
4. Stretch the crossed end of the pulley belt (1) over the generator's mounting ear (2).



5. TORQUE NUT (3) TO 70 - 75 LB-FT (95 - 102 N·m).



6. Remove pulley belt (1) from pulley (2).



NOTE

Do Step 7 and Step 8 if bracket was removed.

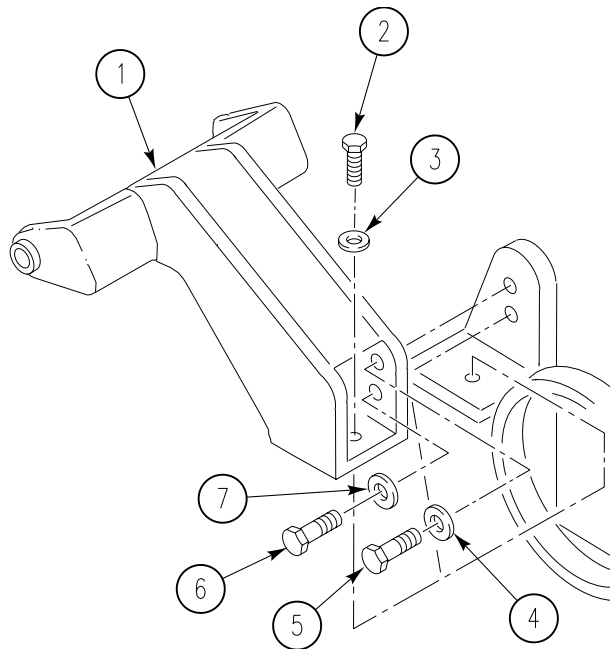
NOTE

Do not tighten bracket mounting screws until all mounting screws have been installed. All three screws require a specific torque.

7. Position bracket (1) on engine block and install screw (2) and washer (3). Align bracket holes with block holes and install screws (5) and (6) and washers (4) and (7).
8. Tighten screws (2), (5), and (6) to the following torque values:

Torque Values

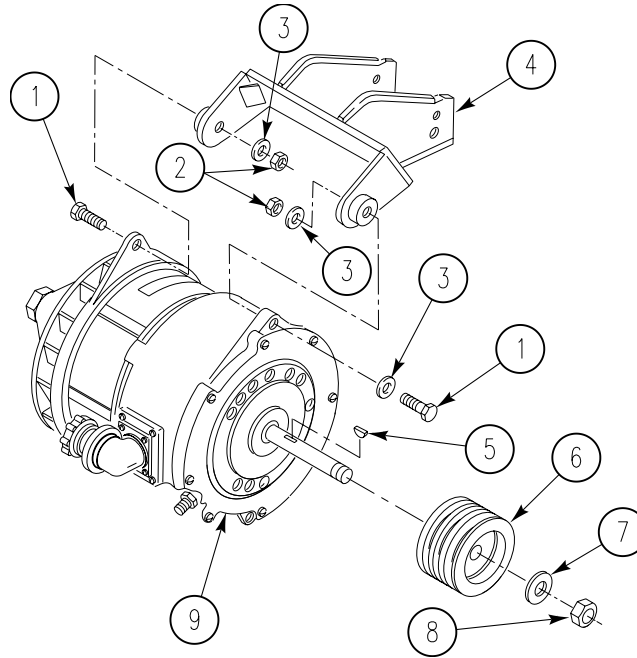
<u>SCREW</u>	<u>TORQUE</u>
2	32-34 lb-ft (43-46 N·m)
5	36-38 lb-ft (49-52 N·m)
6	32-34 lb-ft (43-46 N·m)



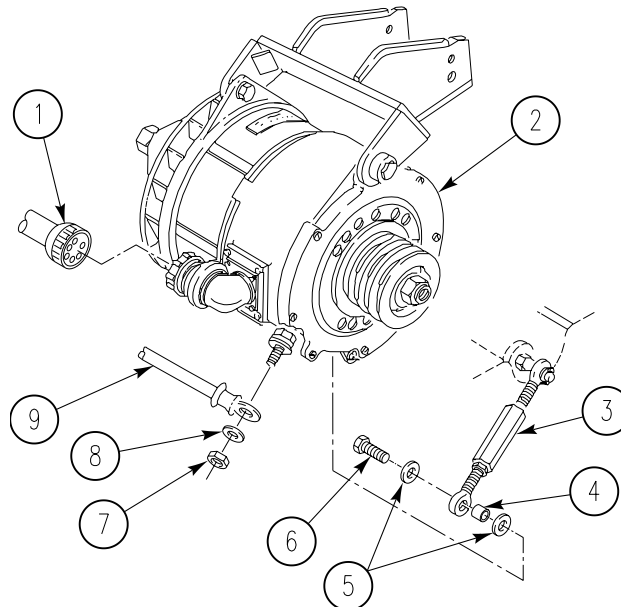
NOTE

Use bushing furnished with new generator.

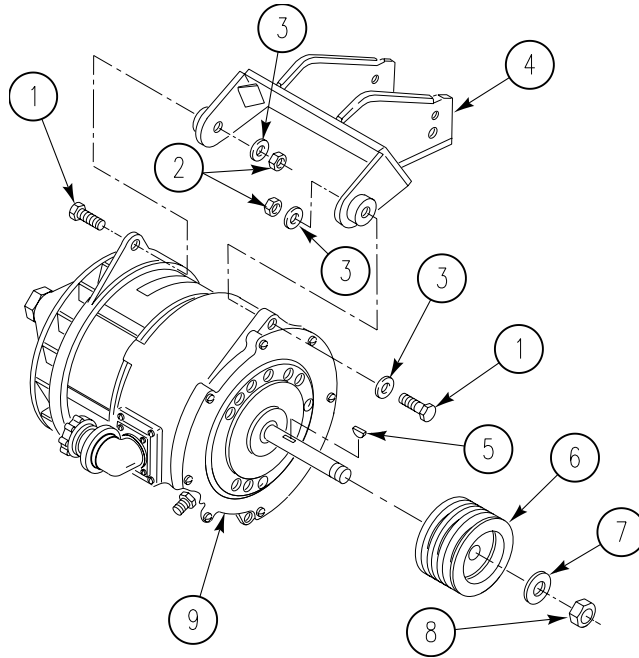
9. Install generator (9) on bracket (4). Secure with two screws (1), new locknuts (2), and three washers (3).



10. Install turnbuckle (3) on generator (2). Secure with screw (6), two washers (5), and spacer (4).
11. Install harness circuit lead (1) on generator (2).
12. Install ground lead (9) on generator (2). Secure with nut (7) and washer (8).



13. Install generator drive belt (WP 0253 00).
14. Adjust generator drive belt (WP 0252 00).
15. TORQUE SCREWS (1) SECURING GENERATOR (9) TO BRACKET (4) TO 36-38 LB-FT (49-52 N·m).



FOLLOW-THROUGH STEPS

1. Connect battery ground strap (WP 0337 00), (WP 0338 00), or (WP 0339 00).
2. Install power plant lower rear access panel (see your -10).
3. Install driver's power plant access panel (see your -10).

END OF TASK

ADJUST VOLTAGE REGULATOR

0256 00

THIS WORK PACKAGE COVERS:

Adjustment (page 0256 00-1)

INITIAL SETUP:

Maintenance Level

Unit

Tools and Special Tools

General Mechanic's Tool Kit (WP 0926 00, Item 65)
 Multimeter (WP 0926 00, Item 30)

Personnel Required

Unit Mechanic

References

See your -10
 TM 9-6140-200-14

Equipment Condition

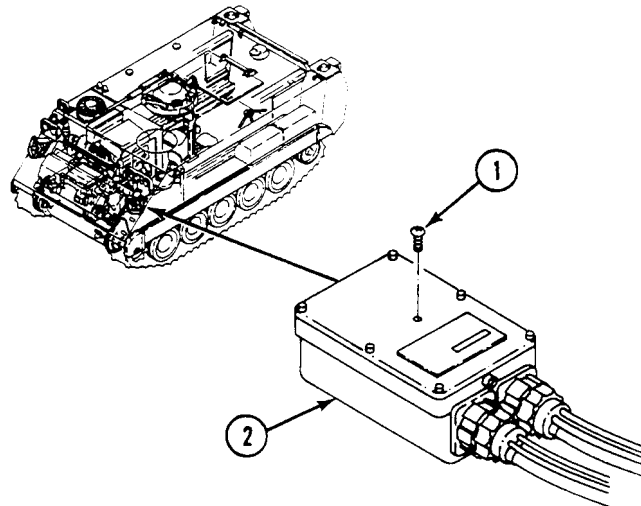
Engine stopped (see your -10)
 Carrier blocked (see your -10)

ADJUSTMENT

NOTE

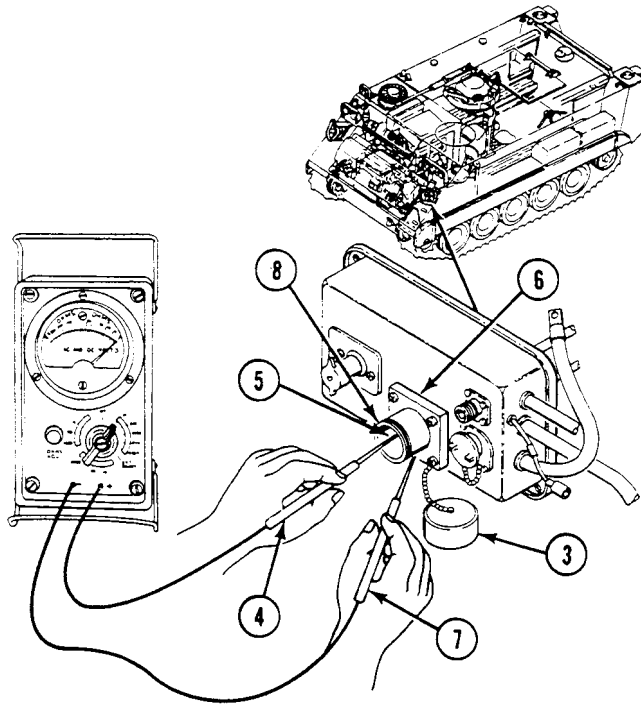
Check batteries to make sure they are fully charged. See TM 9-6140-200-14.

1. Remove access screw (1) from regulator (2).



ADJUST VOLTAGE REGULATOR — Continued**0256 00**

2. Start engine (see your -10) and allow to run for about 20 minutes with service headlights on (see your -10).
3. Turn off service headlights (see your -10).
4. Set multimeter to read voltage on the 50 V dc scale.
5. Remove receptacle cap (3).
6. Place red lead (4) in positive socket of NATO plug (5) on auxiliary power (slave) receptacle (6). Touch negative lead (7) to outside of NATO plug (8) on receptacle.



CAUTION

Battery can get overcharged and explode if the charging volts exceed 29. Adjust voltage regulator to 29 volts.

NOTE

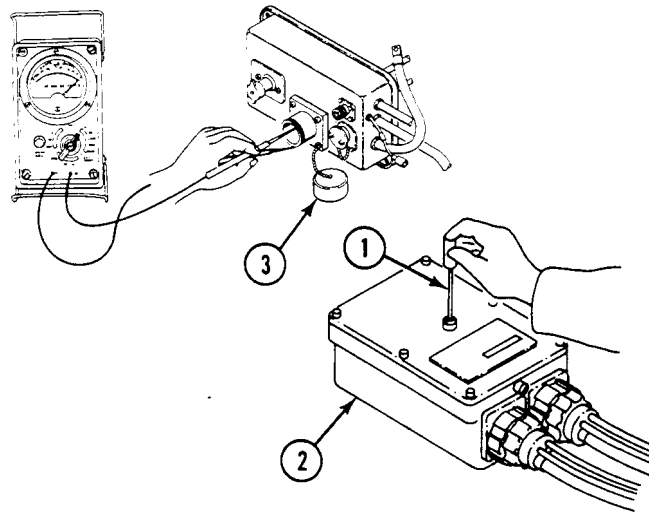
Do not force adjusting screw past stop. If regulator cannot be adjusted, replace bad regulator (WP 0257 00).

Use insulated cross-tip screw driver #1 to adjust voltage.

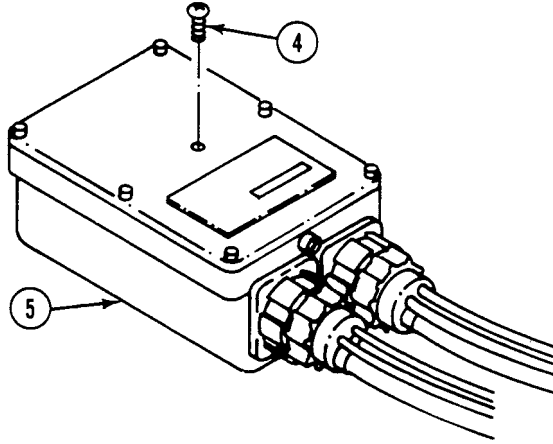
7. With engine operating at 900 to 1100 rpm, turn adjusting screw (1) in regulator (2) until proper voltage reading is achieved.

90° and above:	27 V dc
50° thru 89°:	28 V dc
49° and below:	29 V dc

8. Install receptacle cap (3).



9. Stop engine (see your -10).
10. Install access screw (4) on regulator (5).



END OF TASK

REPLACE REGULATOR ASSEMBLY

0257 00

THIS WORK PACKAGE COVERS:

- Removal (page 0257 00-1).
- Inspection and Repair (page 0257 00-2)
- Installation (page 0257 00-3).

INITIAL SETUP:

Maintenance Level

Unit

Personnel Required

Unit Mechanic

Tools and Special Tools

General Mechanic's Tool Kit (WP 0926 00, Item 65)

References

See your -10

Materials/Parts

- Lockwasher (8)
- Lockwasher (8)
- Lockwasher

Equipment Condition

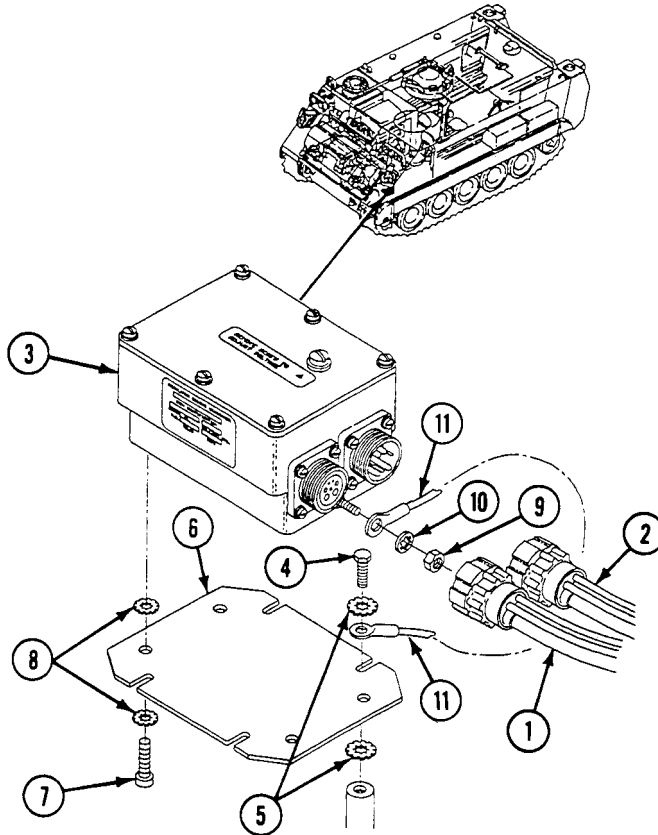
- Engine stopped (see your -10)
 - Carrier blocked (see your -10)
 - Battery ground strap disconnected (WP 0337 00), (WP 0338 00), or (WP 0339 00).
-

REMOVAL

1. Disconnect two cannon plugs (1) and (2) from regulator (3).

REPLACE REGULATOR ASSEMBLY — Continued**0257 00**

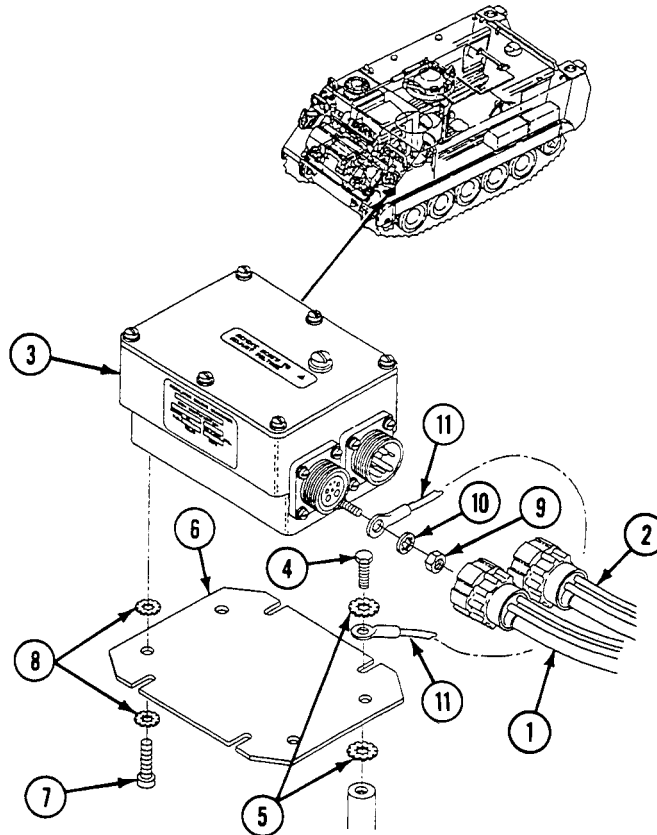
2. Remove four screws (4), eight lockwashers (5), ground strap (11), and mount plate (6) with attached regulator (3) from hull weldnuts. Discard lockwashers.
3. Remove four screws (7), eight lockwashers (8), and mount plate (6) from regulator (3). Discard lockwashers.
4. Remove nut (9), lockwasher (10), and ground strap (11) from regulator (3). Discard lockwasher.

**INSPECTION-ACCEPTANCE AND REJECTION CRITERIA**

1. Check cables. Replace worn or cracked cables and damaged connectors (WP 0382 00)

INSTALLATION

1. Install ground strap (11), new lockwasher (10), and nut (9) on regulator (3).
2. Install mount plate (6) on regulator (3) with eight new lockwashers (8) and four screws (7).
3. Install mount plate (6) with regulator (3) and ground strap (11) on hull weldnuts with eight new lockwashers (5) and four screws (4).
4. Connect two cannon plugs (1) and (2) to regulator (3).

**FOLLOW-THROUGH STEPS**

1. Connect battery ground strap (WP 0337 00), (WP 0338 00), or (WP 0339 00).
2. Adjust regulator voltage (WP 0256 00).

END OF TASK

REPLACE STARTER RELAY SWITCH

0258 00

THIS WORK PACKAGE COVERS:

Removal (page 0258 00-2).
 Installation (page 0258 00-5).

INITIAL SETUP:

Maintenance Level

Unit

References

See your -10

Tools and Special Tools

General Mechanic's Tool Kit (WP 0926 00, Item 65)

Equipment Condition

Engine stopped (see your -10)
 Carrier blocked (see your -10)
 Driver's power plant access panel
 removed (see your -10)
 Battery ground strap disconnected (WP 0337 00),
 (WP 0338 00), or (WP 0339 00)
 Secondary fuel filter removed (WP 0202 00)

Materials/Parts

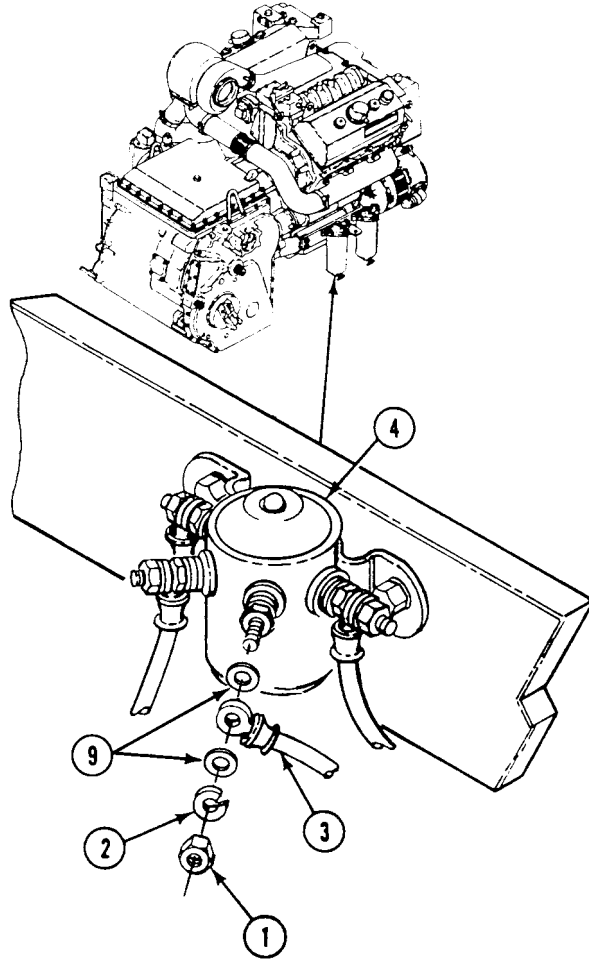
Locknut (2)
 Lockwasher

Personnel Required

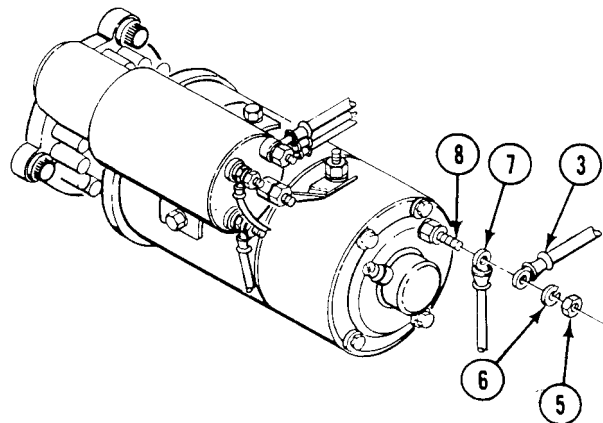
Unit Mechanic

REMOVAL

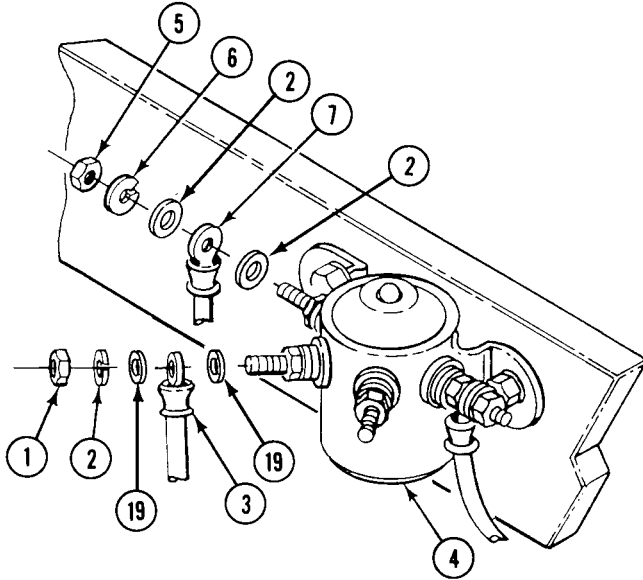
1. Remove nut (1), lockwasher (2), two washers (9), and circuit lead 74A (3) from relay switch (4). Discard lockwashers.



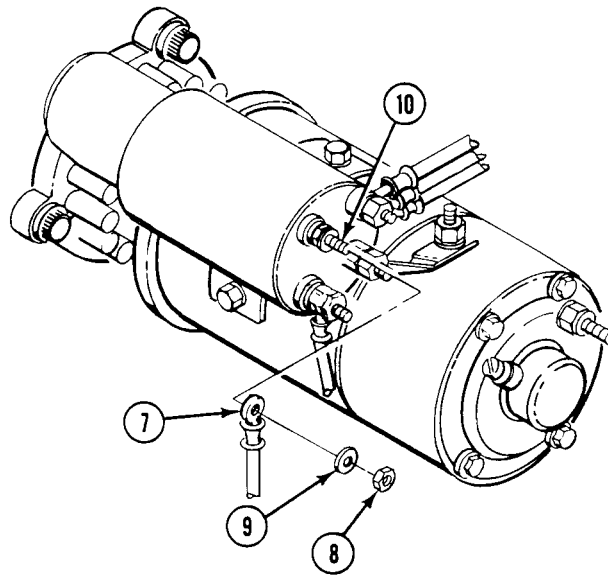
2. Remove nut (5), washer (6), lead 74A (3), and ground lead (7) from starter ground terminal (8).



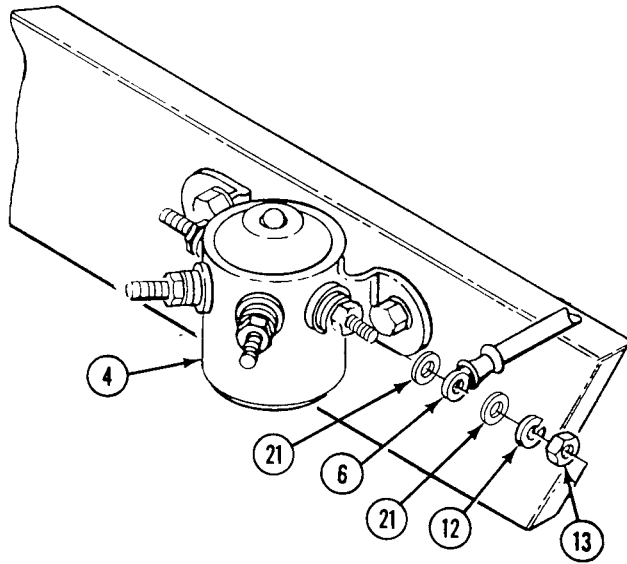
3. Remove nut (1), lockwasher (2), two washers (19), and circuit lead 74 (3) from relay switch (4). Discard lockwashers.
4. Remove nut (5), lockwasher (6), two washers (2), and circuit lead 74D (7) from relay switch (4). Discard lockwasher.



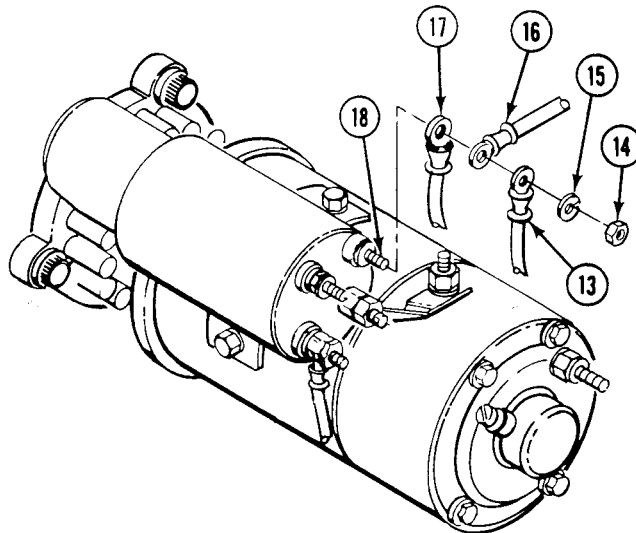
5. Remove nut (8), washer (9), and circuit lead 74D (7) from solenoid switch terminal (10).



6. Remove nut (13), lockwasher (12), two washers (21), and circuit lead 74C (6) from relay switch (4). Discard lockwasher.



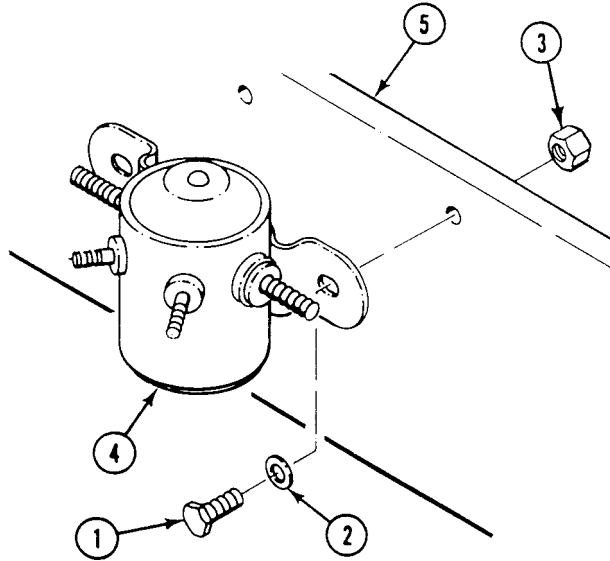
7. Remove nut (14), lockwasher (15), and circuit leads 74C (13), 6 (16), and 6A (17) from solenoid battery terminal (18). Discard lockwasher.



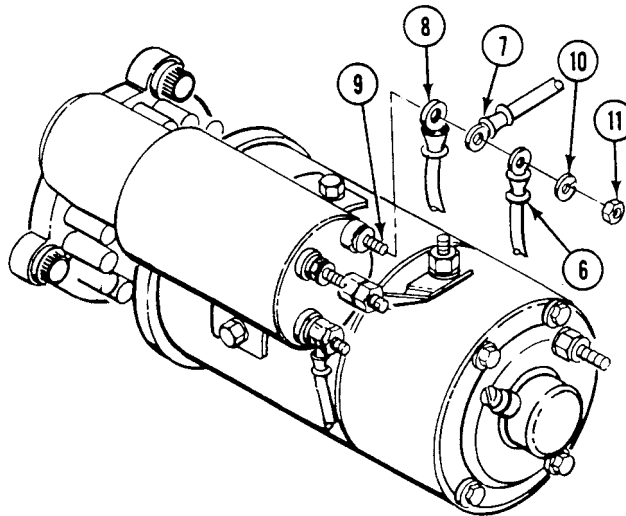
8. Remove two screws (1), washers (2), and locknuts (3) from starter relay switch (4) and bracket (5). Remove relay switch. Discard locknuts.

INSTALLATION

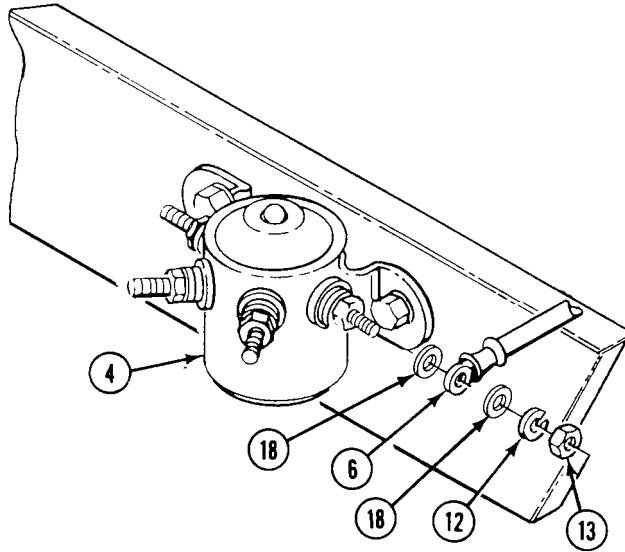
1. Position starter relay switch (4) on bracket (5). Secure relay with two screws (1), washers (2), and new locknuts (3).



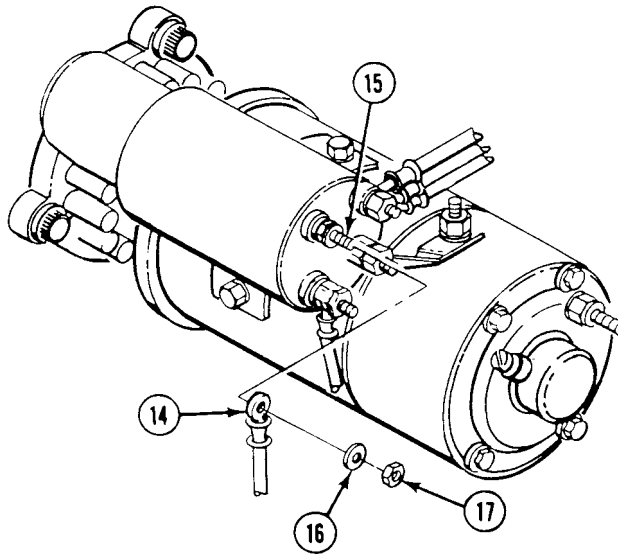
2. Install circuit leads 74C (6), 6 (7), and 6A (8), on starter solenoid battery terminal (9). Secure leads with new lockwasher (10) and nut (11).



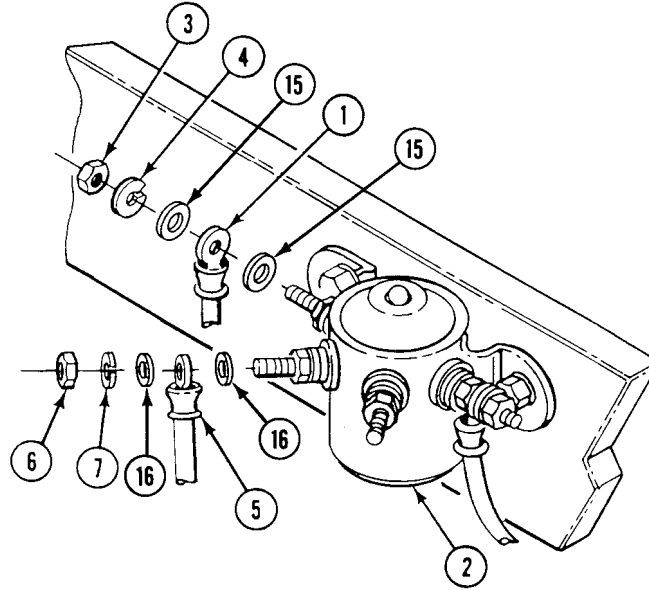
3. Install circuit lead 74C (6) on relay switch (4). Secure with new lockwasher (12), two washers (18), and nut (13).



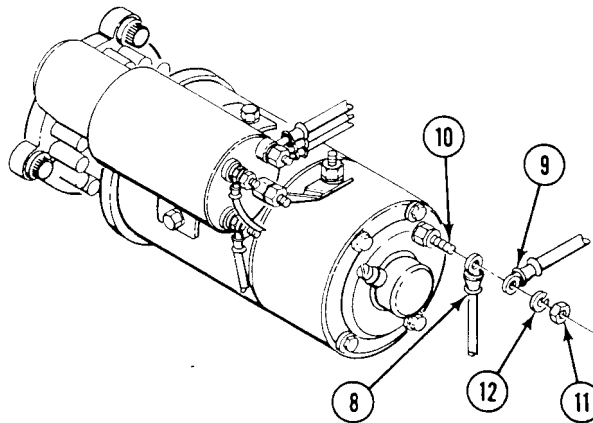
4. Install circuit lead 74D (14) on solenoid switch terminal (15). Secure lead with washer (16) and nut (17).



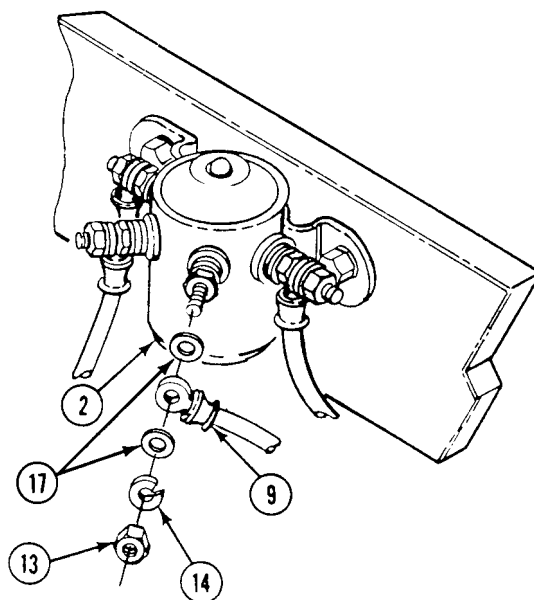
5. Install circuit lead 74D (1) on relay switch (2). Secure lead with nut (3) new lockwasher (4), and two washers (15).
6. Install circuit lead 74 (5) on relay switch (2). Secure lead with nut (6), new lockwasher (7), and two washers (16).



7. Install starter ground lead (8) and circuit lead 74A (9) on starter ground terminal (10). Secure leads with nut (11) and washer (12).



8. Install circuit lead 74A (9) on relay switch (2). Secure lead with nut (13), new lock washer (14), and two washers (17).



FOLLOW-THROUGH STEPS

1. Install secondary fuel filter (WP 0202 00).
2. Connect battery ground strap (WP 0337 00), (WP 0338 00), or (WP 0339 00).
3. Install driver's power plant access panel (see your -10).

END OF TASK

REPLACE STARTER

0259 00

THIS WORK PACKAGE COVERS:

Removal (page 0259 00-1).
 Installation (page 0259 00-2).

INITIAL SETUP:

Maintenance Level

Unit

References

See your -10

Tools and Special Tools

General Mechanic's Tool Kit (WP 0926 00, Item 65)
 Torque Wrench (WP 0926 00, Item 85)

Equipment Condition

Engine stopped (see your -10)
 Carrier blocked (see your -10)
 Battery ground strap disconnected (WP 0337 00),
 (WP 0338 00), or (WP 0339 00).
 Radiator drained (WP 0227 00)
 Driver's seat removed (WP 0551 00)
 Radiator outlet tube removed (WP 0233 00)
 Fuel filters and bracket removed (WP 0203 00)

Materials/Parts

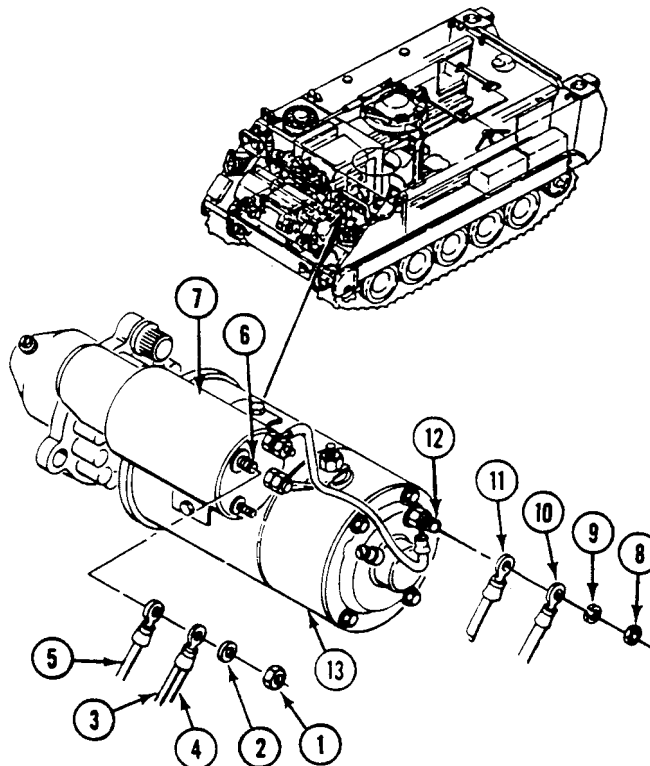
Insulating compound (WP 0928 00, Item 38)
 Gasket
 Lockwasher (3)

Personnel Required

Unit Mechanic
 Helper (H)

REMOVAL

1. Remove nut (1), lockwasher (2), circuit 6 (3), circuit 6A (4), and 74C leads (5) from terminal (6) of starter solenoid (7).
2. Remove nut (8), lockwasher (9), circuit 74A (10), and ground lead (11) from lower terminal (12) of starter (13).



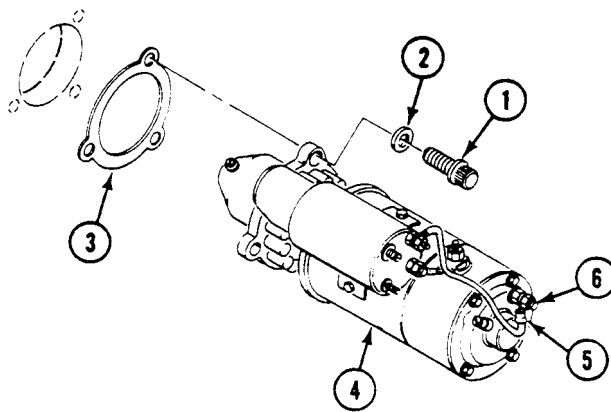
WARNING

Starter weighs 75 lbs (34 kg) and can cause back injury if handled improperly. Be sure to use a hoist or a helper to remove starter.

3. Remove three bolts (1), lockwashers (2), gasket (3), and starter (4) from engine. Discard gasket and lockwashers.

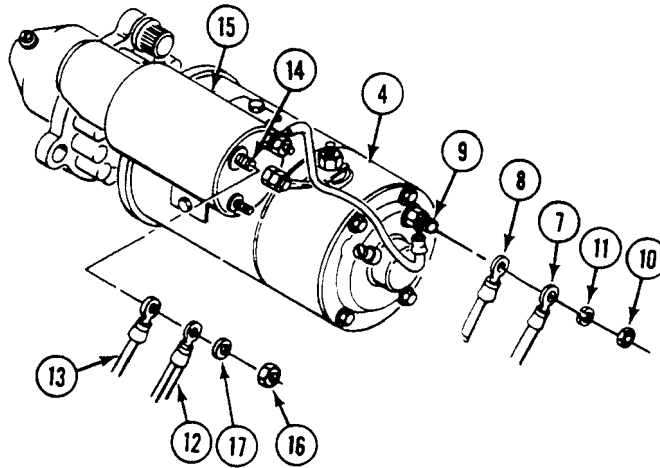
INSTALLATION

1. Apply thin coating of insulating compound to electrical connectors (5), and terminals (6) of starter (4).
2. Install new gasket (3) on starter (4). Install starter on engine. Secure with three bolts (1) and new lockwashers (2). **TIGHTEN BOLTS TO 137-147 LB-FT (186-198 N•m) TORQUE.**



REPLACE STARTER — Continued**0259 00**

3. Install circuit 74A (7) and ground lead (8) on lower terminal (9) of starter (4). Secure with nut (10) and lockwasher (11).
4. Install circuit 6 and 6A leads (12), and 74C lead (13) on terminal (14) of starter solenoid (15). Secure with nut (16) and lockwasher (17).

**FOLLOW-THROUGH STEPS**

1. Install fuel filters and bracket (WP 0203 00).
2. Install radiator outlet tube (WP 0233 00).
3. Install driver's seat (WP 0551 00).
4. Fill radiator (WP 0227 00).
5. Connect battery ground strap (WP 0337 00), (WP 0338 00), or (WP 0339 00).

END OF TASK

REPLACE MASTER SWITCH PANEL ASSEMBLY (M113A3, M1059A3, M1064A3, AND M58 ONLY)

0260 00

THIS WORK PACKAGE COVERS:

- Removal (page 0260 00-1).
- Installation (page 0260 00-4).

INITIAL SETUP:

Maintenance Level

Unit

Personnel Required

Mechanic

Tools and Special Tools

General Mechanic's Tool Kit (WP 0926 00, Item 65)

References

TM 9-2350-277-10

Materials/Parts

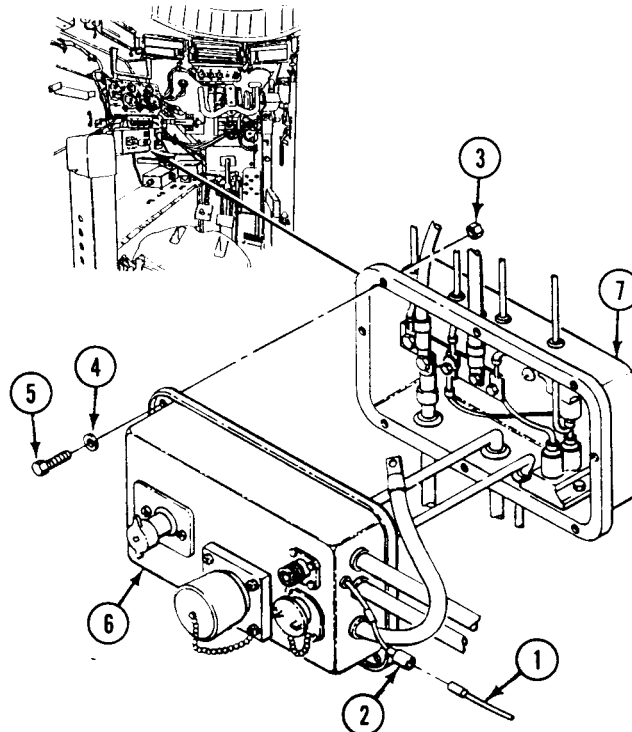
- Grommet (3)
- Locknut
- Locknut (8)
- Lockwasher
- Lockwasher
- Lockwasher

Equipment Condition

- Engine stopped (TM 9-2350-277-10)
- Carrier blocked (TM 9-2350-277-10)
- Battery ground strap disconnected (WP 0337 00)
- DNV power supply cable disconnected from master switch panel (Old Configuration) (TM 9-2350-277-10)
- Instrument warning light panel removed (WP 0288 00)

REMOVAL

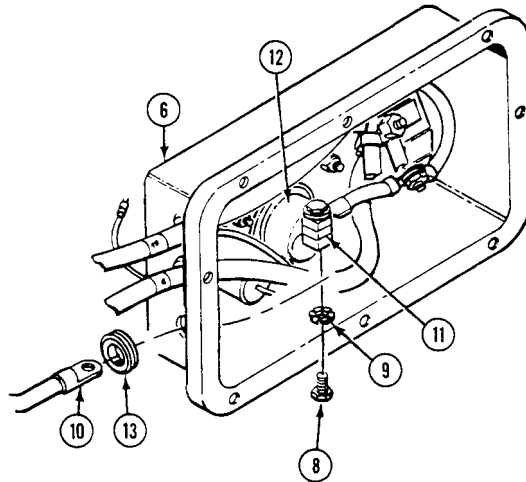
1. Disconnect circuit 37 lead (1) from connector (2).
2. Remove eight locknuts (3), washers (4), screws (5), and master switch panel assembly (6) from distribution box (7). Discard locknuts.



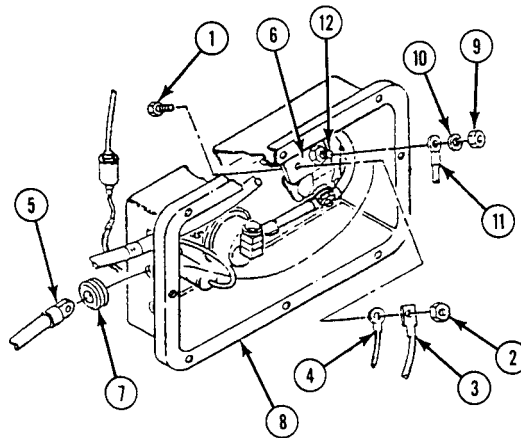
REPLACE MASTER SWITCH PANEL ASSEMBLY (M113A3, M1059A3, M1064A3, AND M58 ONLY) — Continued

0260 00

3. Remove screw (8), lockwasher (9), and ground lead (10) from negative post (11) of auxiliary power receptacle (12). Remove ground lead (10) and grommet (13) from master switch panel assembly (6). Discard lockwasher and grommet.



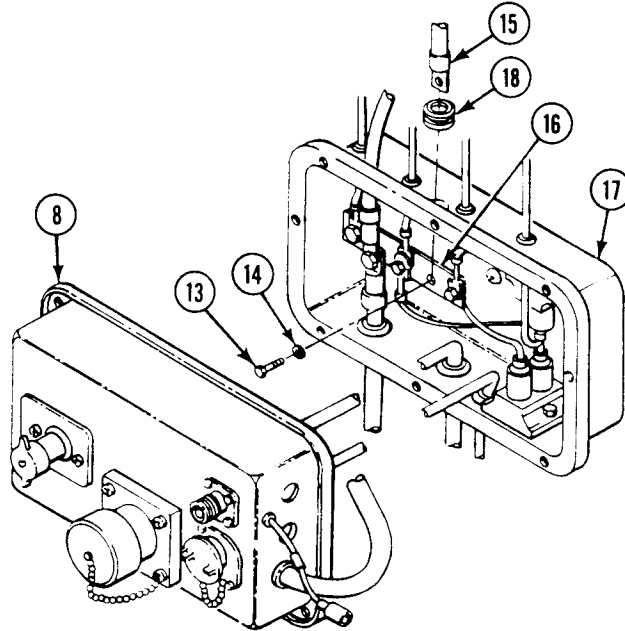
4. Remove screw (1), locknut (2), circuit 400 lead (3), circuit 2 lead (4), and circuit 6 lead (5) from conductor bus (6). Remove circuit 6 lead (5) and grommet (7) from master switch panel assembly (8). Discard locknut and grommet.
5. Remove nut (9), lockwasher (10), and circuit 2A lead (11) from master switch post (12). Discard lockwasher.



**REPLACE MASTER SWITCH PANEL ASSEMBLY (M113A3, M1059A3,
M1064A3, AND M58 ONLY) — Continued**

0260 00

6. Remove screw (13), lockwasher (14), and circuit 49 lead (15) from bus bar (16) of distribution box (17). Remove circuit 49 lead (15) and grommet (18) from distribution box (17). Discard lockwasher and grommet.
7. Remove master switch panel assembly (8) from carrier.

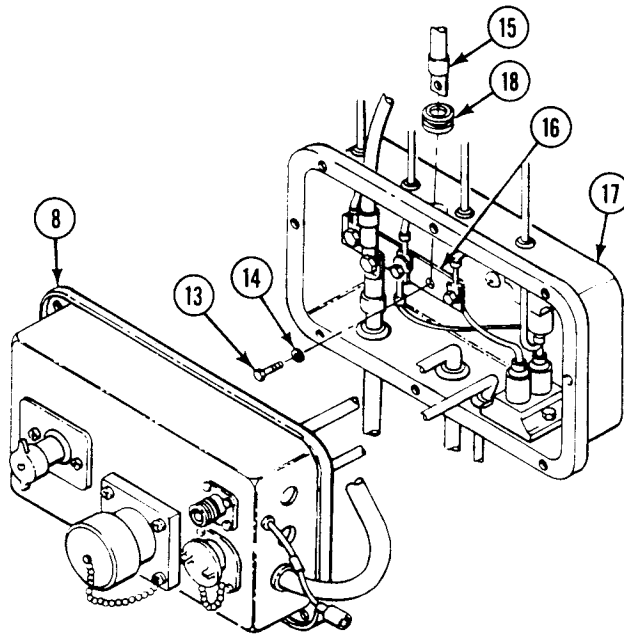


REPLACE MASTER SWITCH PANEL ASSEMBLY (M113A3, M1059A3, M1064A3, AND M58 ONLY) — Continued

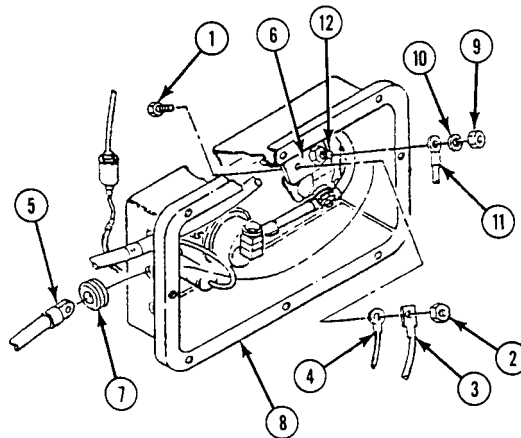
0260 00

INSTALLATION

1. Install new grommet (18) on circuit 49 lead (15). Route lead into distribution box (17) and secure grommet.
2. Install circuit 49 lead (15) on bus bar (16). Secure with new lockwasher (14) and screw (13).



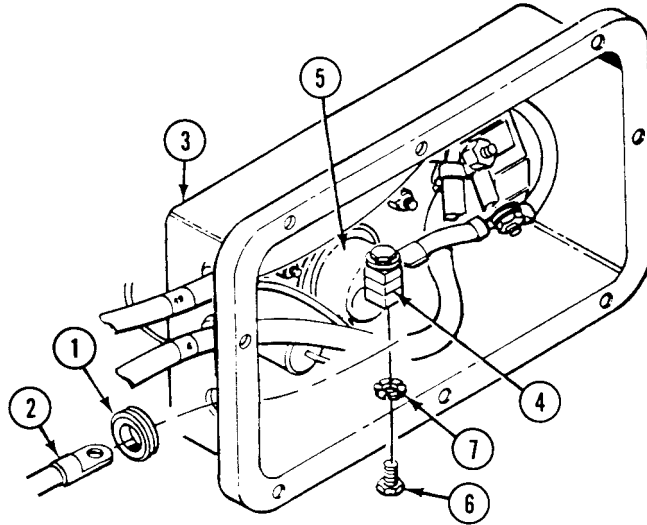
3. Install new grommet (7) on circuit 6 lead (5). Route lead into master switch panel assembly (8) and secure grommet.
4. Install circuit 6 lead (5), circuit 2 lead (3), and circuit 400 lead (4) on conductor bus (6). Secure with screw (1) and new locknut (2).
5. Install circuit 2A lead (11) on master switch post (12). Secure with new lockwasher (10) and nut (9).



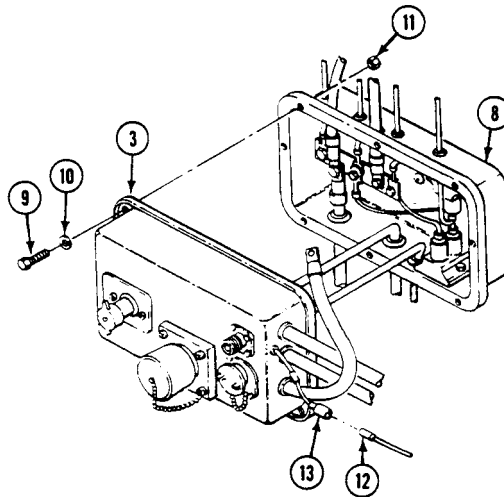
REPLACE MASTER SWITCH PANEL ASSEMBLY (M113A3, M1059A3, M1064A3, AND M58 ONLY) — Continued

0260 00

6. Install new grommet (1) on ground lead (2). Route ground lead into master switch panel assembly (3) and secure grommet.
7. Install ground lead (2) on negative post (4) of auxiliary power receptacle (5). Secure with screw (6) and new lockwasher (7).



8. Install master switch panel assembly (3) on distribution box (8). Secure with eight screws (9), washers (10), and new locknuts (11).
9. Connect circuit 37 lead (12) to connector (13).



**REPLACE MASTER SWITCH PANEL ASSEMBLY (M113A3, M1059A3,
M1064A3, AND M58 ONLY) — Continued**

0260 00

FOLLOW-THROUGH STEPS

1. Install instrument warning light panel (WP 0288 00).
2. Connect DNV power supply cable to dummy connector (Old Configuration). See TM 9-2350-277-10.
3. Connect battery ground strap (WP 0337 00).
4. Turn MASTER SWITCH ON. See TM 9-2350-277-10.
5. Check that MASTER SWITCH ON indicator light comes ON. See TM 9-2350-277-10.
6. Turn MASTER SWITCH OFF. See TM 9-2350-277-10.

END OF TASK

REPLACE MASTER SWITCH PANEL ASSEMBLY (M577A3 AND M1068A3 ONLY)

0261 00

THIS WORK PACKAGE COVERS:

Removal (page 0261 00-1).
 Installation (page 0261 00-4).

INITIAL SETUP:

Maintenance Level

Unit

Personnel Required

Unit Mechanic

Tools and Special Tools

General Mechanic's Tool Kit (WP 0926 00, Item 65)

References

See your -10

Materials/Parts

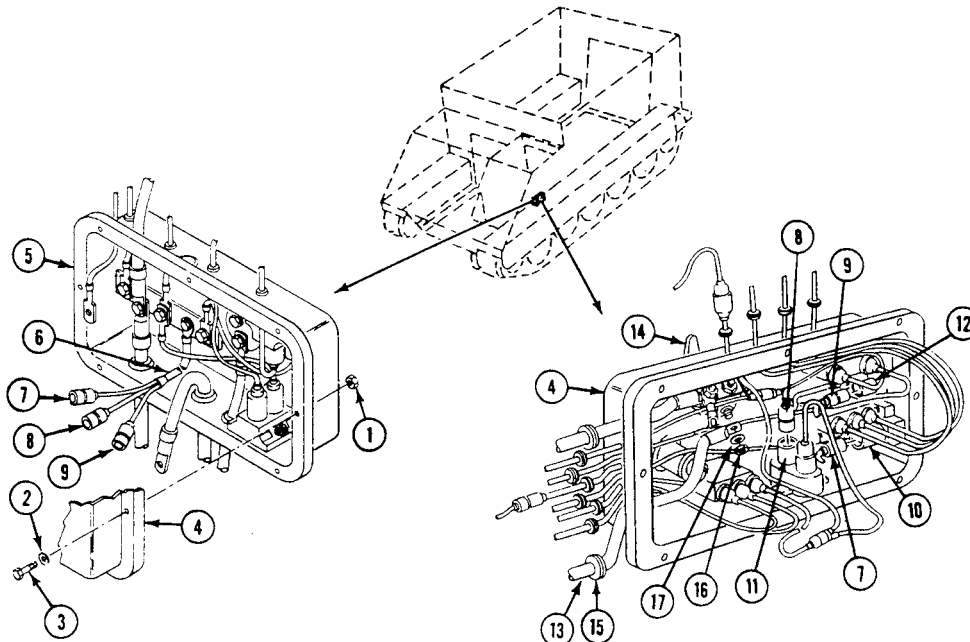
Grommet (11)
 Locknut (8)
 Lockwasher

Equipment Condition

Engine stopped (see your -10)
 Carrier blocked (see your -10)
 Battery ground lead disconnected (WP 0338 00)

REMOVAL

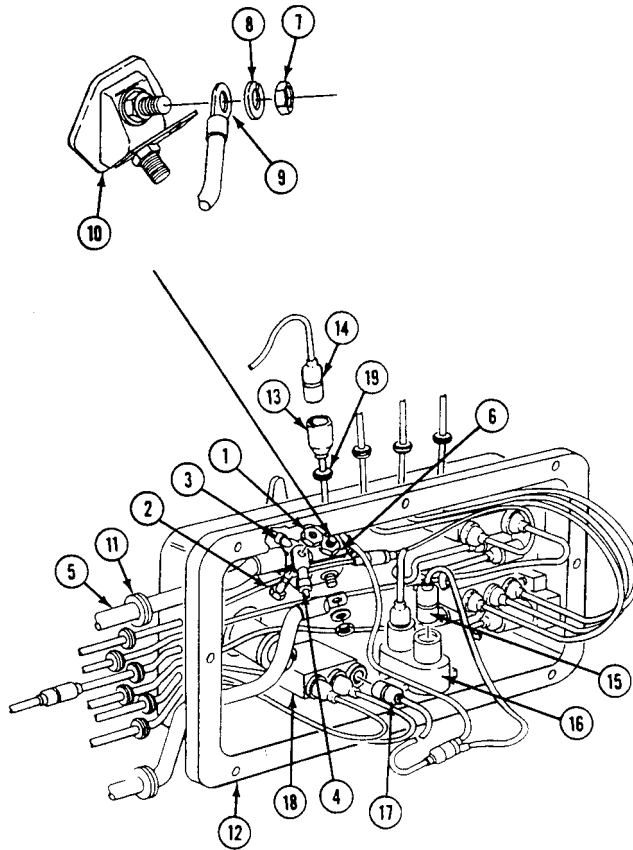
1. Remove eight locknuts (1), washers (2), and screws (3). Separate master switch panel assembly (4) from distribution box (5). Discard locknuts.
2. Disconnect wiring harness (6) leads (7)(8), and (9) from three circuit breakers (10)(11) and (12).
3. Remove nut (16), washer (17), and circuit 49 lead (13) from bottom terminal on master switch (14).
4. Remove circuit 49 lead (13) and grommet (15) from master switch panel assembly (4). Discard grommet.



REPLACE MASTER SWITCH PANEL ASSEMBLY (M577A3 AND M1068A3 ONLY) —
Continued

0261 00

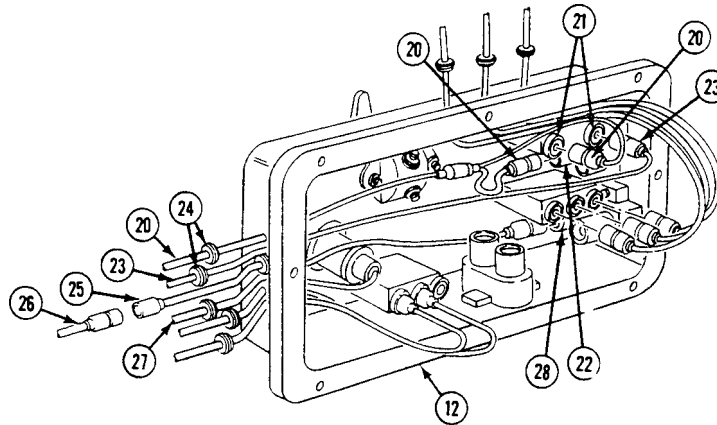
5. Remove nut (1), screw (2), and circuits 400 (3), 2 (4), and 6 (5) leads from bus bar (6).
6. Remove nut (7), lockwasher (8), and circuit 2A lead (9) from top terminal on master switch (10). Discard lockwasher.
7. Remove circuit 6 lead (5) and grommet (11) from master switch panel (12). Discard grommet.
8. Disconnect wiring harness (13) from circuit 38E (14). Disconnect circuit 10 lead (15) from circuit breaker (16). Disconnect circuit 10 lead connector (17) from dome light switch (18).
9. Remove wiring harness (13) and grommet (19) from master switch panel (12). Discard grommet.



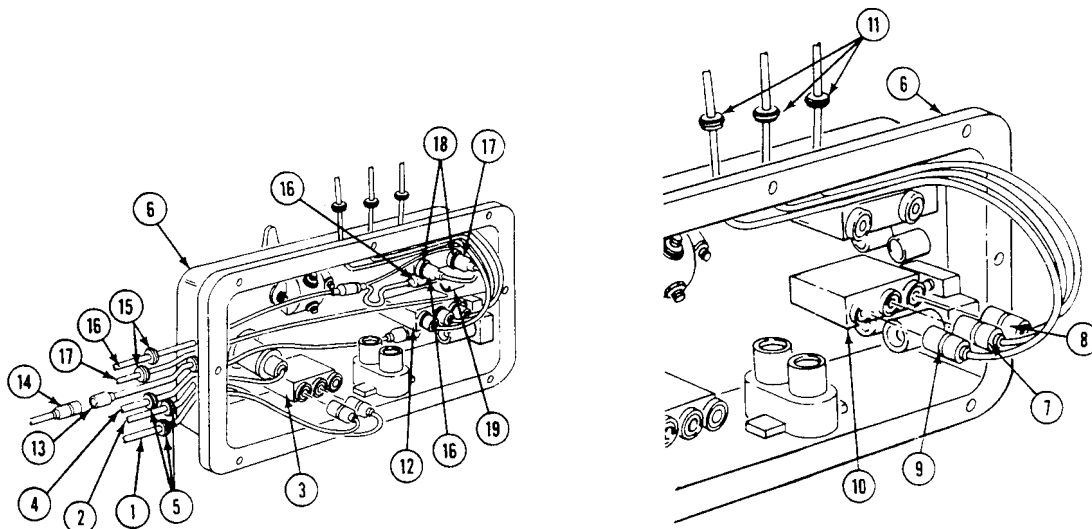
**REPLACE MASTER SWITCH PANEL ASSEMBLY (M577A3 AND M1068A3 ONLY) —
Continued**

0261 00

10. Disconnect wiring harness (20) from blower switch (21) and circuit 37B on circuit breaker (22).
11. Disconnect circuit 59 lead (23) from blower switch (21).
12. Remove circuit 59 lead (23), wiring harness (20), and two grommets (24) from master switch panel assembly (12). Discard grommets.
13. Disconnect utility outlet lead (25) from circuit 37 lead (26).
14. Disconnect circuit 37A lead (27) from circuit 37A lead on circuit breaker (28).



15. Disconnect circuits 38A lead (1) and 38 lead (2) from dome light switch (3).
16. Remove circuits 37A (4), 38 (2), 38A (1) leads and three grommets (5) from master switch panel (6). Discard grommets.
17. Disconnect circuits 28 (7), 29 (8), and 30 (9) leads from fuel selector switch (10).
18. Remove circuits 28 (7), 29 (8), and 30 (9) leads and three grommets (11) from master switch panel (6). Discard grommets.
19. Remove master switch panel assembly (6) from carrier.

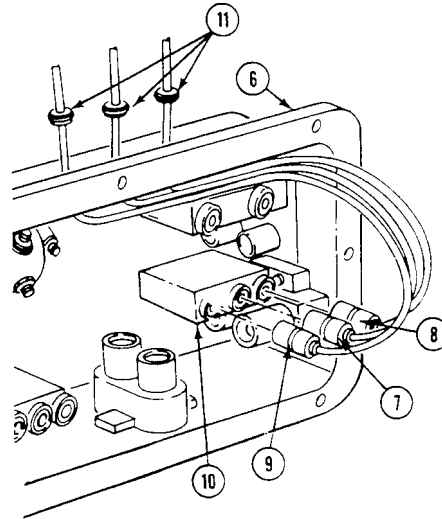
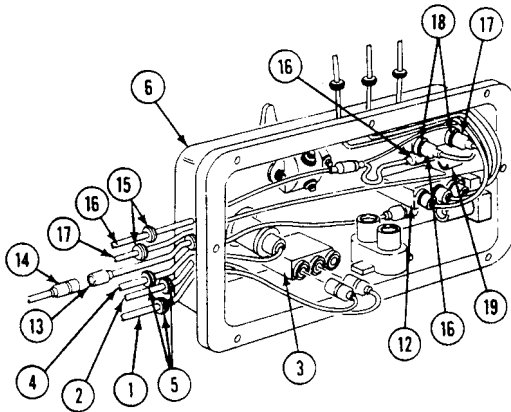


**REPLACE MASTER SWITCH PANEL ASSEMBLY (M577A3 AND M1068A3 ONLY) —
Continued**

0261 00

INSTALLATION

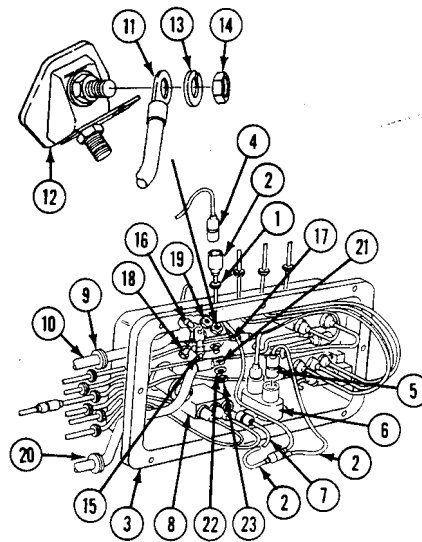
1. Install three new grommets (11) and circuits 28 (7), 29 (8), and 30 (9) leads in master switch panel (6).
2. Connect circuits 28 (7), 29 (8), and 30 (9) leads to fuel selector switch (10).
3. Install three new grommets (5) and circuits 37A (4), 38 (1), 38A (2) leads in master switch panel assembly (6).
4. Connect circuit 37A lead (4) to circuit breaker (12).
5. Connect circuits 38 (1), 38A (2) leads to dome light switch (3).
6. Connect utility outlet lead (13) to circuit 37 lead (14).
7. Install two new grommets (15), wiring harness (16), and circuit 59 lead (17) in master switch panel (6).
8. Connect wiring harness (16) to blower switch (18) and to circuit 37B lead on circuit breaker (19).
9. Connect circuit 59 lead (17) to blower switch (18).



REPLACE MASTER SWITCH PANEL ASSEMBLY (M577A3 AND M1068A3 ONLY) —
Continued

0261 00

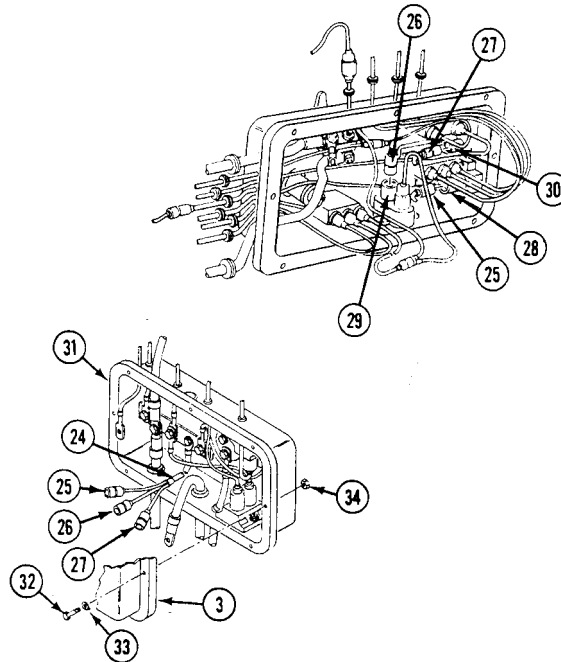
10. Install a new grommet (1) and wiring harness (2) in master switch panel (3).
11. Connect wiring harness (2) to circuit 38E lead (4). Connect circuit 10 lead (5) on circuit breaker (6). Connect circuit 10 lead (7) on dome light switch (8).
12. Install a new grommet (9) and circuit 6 lead (10) in master switch panel (3).
13. Install circuit 2A lead (11) on top terminal of master switch (12). Secure with new lockwasher (13) and nut (14).
14. Install circuits 6 (10), 2 (15), and 400 (16) leads on bus bar (17). Secure with screw (18) and nut (19).
15. Install new grommet (20) and circuit 49 lead (21) in master switch panel assembly (3).
16. Install circuit 49 lead (21) on bottom terminal of master switch (12). Secure with washer (22) and nut (23).



REPLACE MASTER SWITCH PANEL ASSEMBLY (M577A3 AND M1068A3 ONLY) —
Continued

0261 00

17. Connect wiring harness (24) leads (25) (26)(27) to three circuit breakers (28)(29)(30).
18. If damaged, replace gasket between master switch panel and distribution box (WP 0271 00).
19. Install master switch panel (3) on distribution box (31). Secure with eight screws (32), washers (33), and new locknuts (34).

**FOLLOW-THROUGH STEPS**

1. Connect battery ground lead (WP 0338 00).
2. Start engine (see your -10). Check that master switch panel assembly is operable.
3. Stop engine (see your -10).

END OF TASK

**REPLACE MASTER SWITCH (M113A3, M1059A3, M1064A3,
AND M58 ONLY)**

0262 00

THIS WORK PACKAGE COVERS:

- Removal (page 0262 00-1).
- Installation (page 0262 00-3).

INITIAL SETUP:

Maintenance Level

Unit

References

TM 9-2350-277-10

Tools and Special Tools

General Mechanic's Tool Kit (WP 0926 00, Item 65)

Equipment Condition

- Engine stopped (TM 9-2350-277-10)
- Carrier blocked (TM 9-2350-277-10)
- Battery ground strap disconnected (WP 0337 00)
- DNV power supply cable disconnected from master switch panel (Old Configuration) (TM 9-2350-277-10)
- Warning light panel assembly removed (WP 0291 00)

Materials/Parts

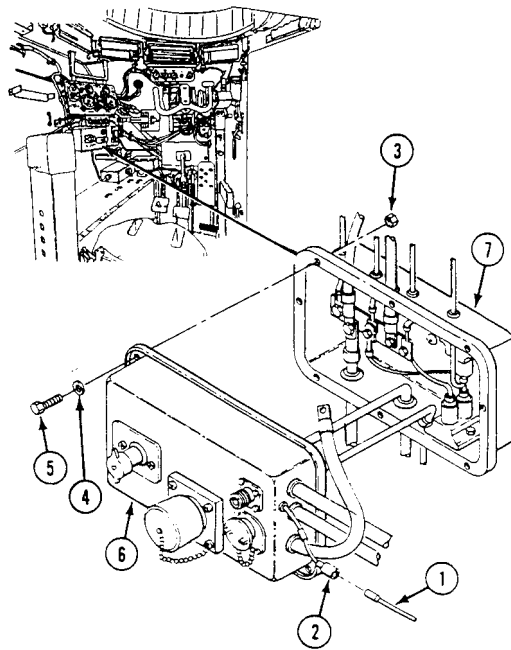
- Locknut (2)
- Locknut (8)
- Lockwasher (2)

Personnel Required

Mechanic

REMOVAL

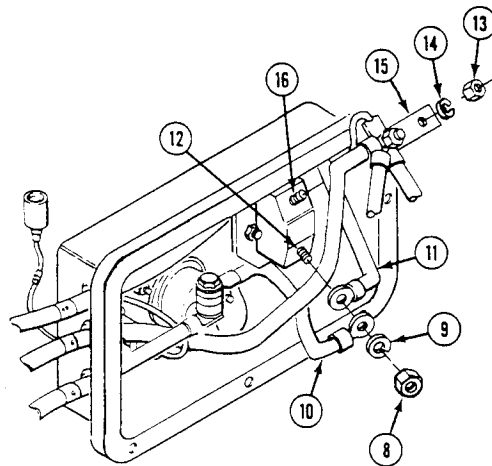
1. Disconnect circuit 37 lead (1) from connector (2).
2. Remove eight locknuts (3), washers (4), screws (5), and master switch panel (6) from distribution box (7). Discard locknuts.



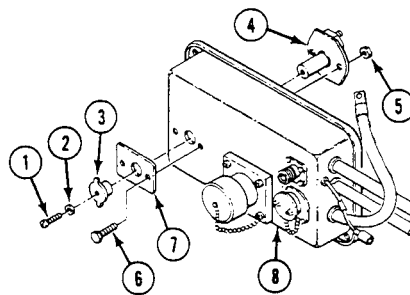
REPLACE MASTER SWITCH (M113A3, M1059A3, M1064A3, AND M58 ONLY) — Continued

0262 00

3. Remove nut (8), lockwasher (9), circuit 50 lead (10), and circuit 49 lead (11) from master switch terminal (12). Discard lockwasher.
4. Remove nut (13), lockwasher (14), and conductor bus (15) with attached leads from master switch terminal (16). Discard lockwasher.



5. Remove screw (1), washer (2), and knob (3) from master switch (4).
6. Remove two locknuts (5), screws (6), master switch (4), and nameplate (7) from master switch panel (8). Discard locknuts.



REPLACE MASTER SWITCH (M113A3, M1059A3, M1064A3, AND M58 ONLY) — Continued

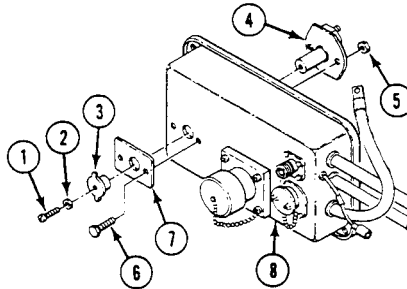
0262 00

INSTALLATION

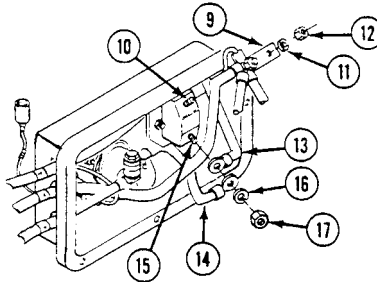
NOTE

Make sure nameplate is not installed upside down.

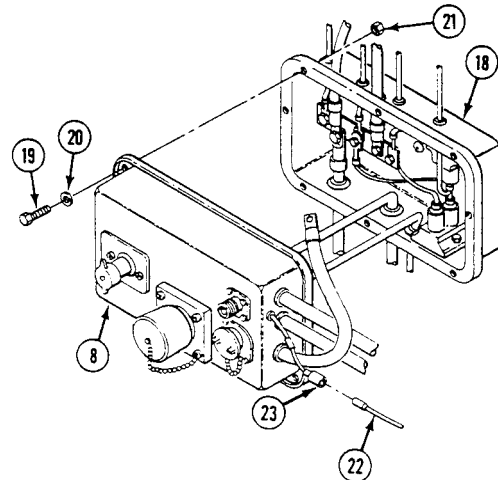
1. Align master switch (4) and nameplate (7) on master switch panel (8). Secure with two screws (6) and new locknuts (5).
2. Place knob (3) on master switch (4). Secure with washer (2) and screw (1).



3. Install conductor bus (9) with attached leads on terminal (10). Secure with new lockwasher (11) and nut (12).
4. Install circuit 49 lead (13) and circuit 50 lead (14) on terminal (15). Secure with new lockwasher (16) and nut (17).



5. Install master switch panel (8) on distribution box (18). Secure with eight screws (19), washers (20), and new locknuts (21).
6. Connect circuit 37 lead (22) to connector (23).



REPLACE MASTER SWITCH (M113A3, M1059A3, M1064A3, AND M58 ONLY) — Continued

0262 00

FOLLOW-THROUGH STEPS

1. Install warning light panel assembly (WP 0291 00).
2. Connect DNV power supply cable to dummy connector (Old Configuration). See TM 9-2350-277-10.
3. Connect battery ground strap (WP 0337 00).
4. Turn MASTER SWITCH to ON. See TM 9-2350-277-10.
5. Check that MASTER SWITCH ON indicator light comes ON. See TM 9-2350-277-10.
6. Turn MASTER SWITCH to OFF. See TM 9-2350-277-10.

END OF TASK

REPLACE AUXILIARY POWER (SLAVE) RECEPTACLE (M113A3, M1059A3, M1064A3, AND M58 ONLY)

0263 00

THIS WORK PACKAGE COVERS:

Removal (page 0263 00-1).
 Installation (page 0263 00-2).

INITIAL SETUP:

Maintenance Level
 Unit

References
 See your -10

Tools and Special Tools
 General Mechanic's Tool Kit (WP 0926 00, Item 65)

Equipment Condition

Materials/Parts

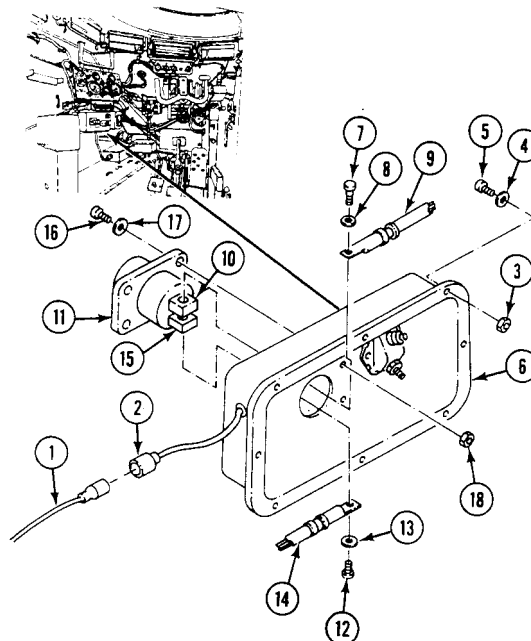
Locknut (4)
 Locknut (8)

Engine stopped (see your -10)
 Carrier blocked (see your -10)
 Battery ground strap disconnected (WP 0337 00)
 Warning light panel assembly removed (WP 0291 00)

Personnel Required
 Unit Mechanic

REMOVAL

1. Disconnect circuit 37 lead (1) from connector (2).
2. Remove eight locknuts (3), washers (4), screws (5), and master switch panel (6) from distribution box. Discard locknuts.
3. Remove screw (7), lockwasher (8), and circuit 50 lead (9) from positive post (10) of auxiliary power receptacle (11).
4. Remove screw (12), lockwasher (13), and ground strap (14) from negative post (15) of receptacle (11).
5. Remove four screws (16), washers (17), locknuts (18), and receptacle (11) from master switch panel (6). Discard locknuts.



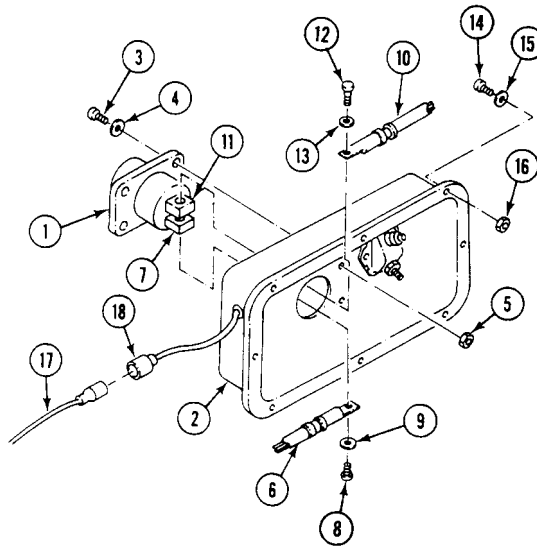
REPLACE AUXILIARY POWER (SLAVE) RECEPTACLE (M113A3, M1059A3, M1064A3, AND M58 ONLY) — Continued

0263 00

INSTALLATION**NOTE**

Make sure protective cap retaining cord is attached to receptacle lower mount screw.

1. Install receptacle (1) in master switch panel (2). Secure with four screws (3), washers (4), and new locknuts (5).
2. Install ground strap (6) on negative post (7) of receptacle (1). Secure with screw (8) and lockwasher (9).
3. Install circuit 50 lead (10) on positive post (11) of receptacle (1). Secure with screw (12) and lockwasher (13).
4. Install master switch panel (2) on distribution box. Secure with eight screws (14), washers (15), and new locknuts (16).
5. Connect circuit 37 lead (17) to connector (18).

**FOLLOW-THROUGH STEPS**

1. Install warning light panel assembly (WP 0291 00).
2. Connect battery ground strap (WP 0337 00).

END OF TASK

REPLACE NATO AUXILIARY POWER (SLAVE) RECEPTACLE (M577A3 AND M1068A3 ONLY)

0264 00

THIS WORK PACKAGE COVERS:

- Removal (page 0264 00-1).
 - Installation (page 0264 00-3).
-

INITIAL SETUP:

Maintenance Level

Unit

Personnel Required

Unit Mechanic

Tools and Special Tools

- General Mechanic's Tool Kit (WP 0926 00, Item 65)
- Multimeter (WP 0926 00, Item 30)

References

See your -10

Materials/Parts

- Gasket
- Gasket
- Lockwashers (4)
- Lockwashers (4)
- Lockwashers (7)
- Lockwashers (2)

Equipment Condition

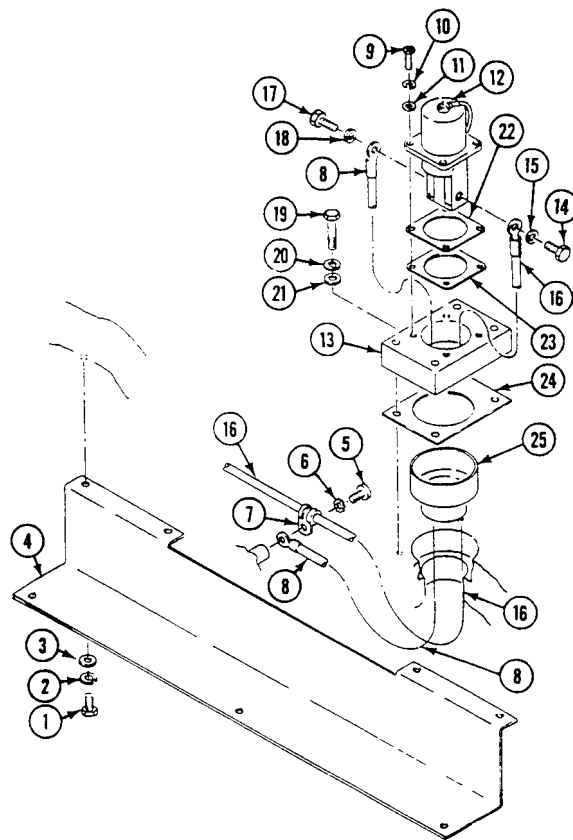
- Engine stopped (see your -10)
 - Carrier blocked (see your -10)
 - Battery ground lead disconnected (WP 0338 00)
-

REPLACE NATO AUXILIARY POWER (SLAVE) RECEPTACLE (M577A3 AND M1068A3 ONLY) — Continued

0264 00

REMOVAL

1. Remove seven screws (1), lockwashers (2), washers (3), and harness protector (4) from hull. Discard lockwashers.
2. Remove screw (5), washer (6), clamp (7), and circuit 50 lead (8) from hull weldnut.
3. Remove four screws (9), lockwashers (10), and washers (11) from receptacle (12). Discard lockwashers.
4. Pull receptacle (12) away from adapter (13).
5. Remove screw (14), lockwasher (15), and circuit 6 lead (16) from positive terminal of receptacle (12). Discard lockwasher.
6. Remove screw (17), lockwasher (18) and circuit 50 lead (8) from negative terminal of receptacle (12). Discard lockwasher.
7. Remove four screws (19), lockwashers (20), and washers (21) from adapter (13). Discard lockwashers.
8. Remove receptacle (12), gasket (22), insulator (23), adapter (13), and gasket (24) from hull. Discard gaskets.
9. Remove insulator bushing (25) from hull.

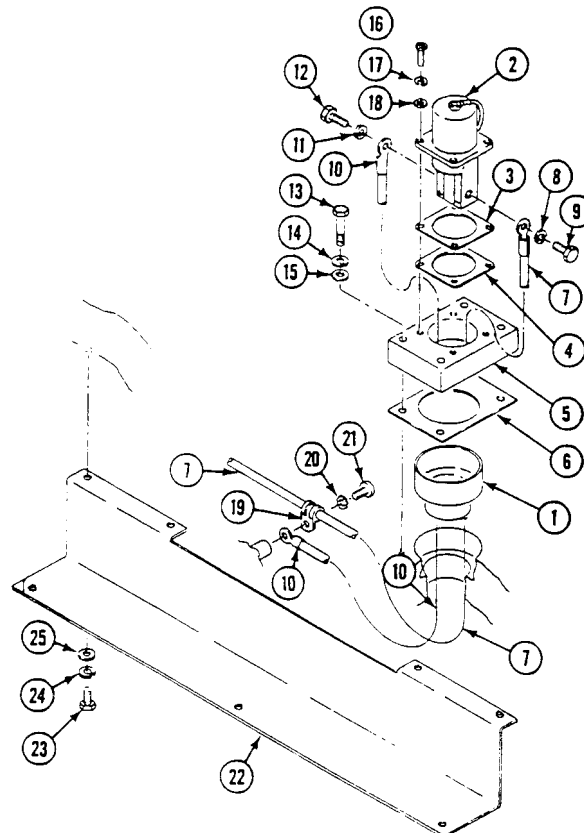


REPLACE NATO AUXILIARY POWER (SLAVE) RECEPTACLE (M577A3 AND M1068A3 ONLY) — Continued

0264 00

INSTALLATION

1. Install insulator bushing (1) in hull.
2. Install receptacle (2), new gasket (3), insulator (4), adapter (5), and new gasket (6).
3. Connect circuit 6 lead (7) to positive terminal of receptacle (2) with new lockwasher (8) and screw (9).
4. Connect circuit 50 lead (10) to negative terminal of receptacle (2) with new lockwasher (11) and screw (12).
5. Position new gasket (6) and adapter (5) on hull and secure with four screws (13), new lockwashers (14), and washers (15).
6. Align receptacle (2), new gasket (3), and insulator (4) with adapter (5). Install four screws (16), new lockwashers (17), and washers (18).
7. Place circuit 50 lead (10) and clamp (19) on hull weldnut. Secure with washer (20) and screw (21).
8. Position harness protector (22) and secure with seven screws (23) new lockwashers (24), and washers (25).



FOLLOW-THROUGH STEPS

1. Connect battery ground lead (WP 0338 00).

END OF TASK

REPLACE UTILITY OUTLET RECEPTACLE

0265 00

THIS WORK PACKAGE COVERS:

- Removal (page 0265 00-1).
- Inspection and Repair (page 0265 00-2).
- Installation (page 0265 00-2).

INITIAL SETUP:

Maintenance Level

Unit

References

See your -10

Tools and Special Tools

- General Mechanic's Tool Kit (WP 0926 00, Item 65)
- Multimeter (WP 0926 00, Item 30)

Equipment Condition

- Engine stopped (see your -10)
- Carrier blocked (see your -10)
- Battery ground lead disconnected (WP 0337 00) or (WP 0338 00)
- Warning light panel assembly removed (WP 0291 00)

Materials/Parts

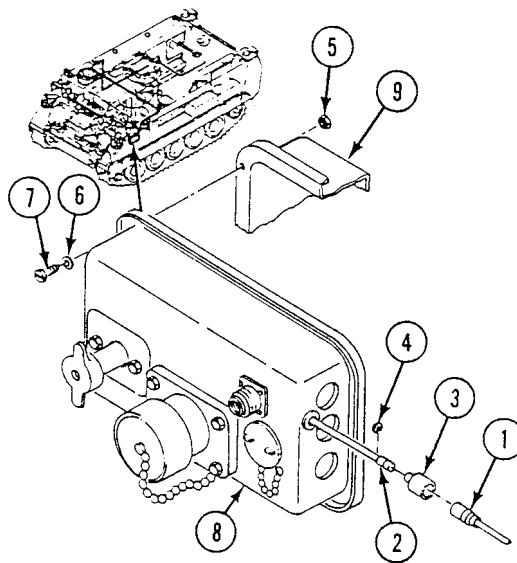
- Locknut (8)
- Lockwashers (2)

Personnel Required

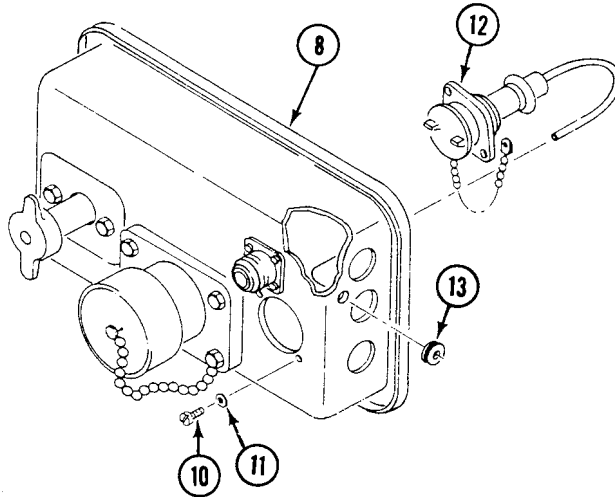
Unit Mechanic

REMOVAL

1. Disconnect circuit 37 lead (1) from utility outlet receptacle lead (2).
2. Slide shell connector (3) down lead (2). Remove slotted washer (4) from lead. Remove shell connector from lead.
3. Remove eight locknuts (5), washers (6), screws (7) and master switch panel (8) from distribution box (9). Discard locknuts.



4. Remove two screws (10), lockwashers (11), and receptacle (12) from master switch panel (8). Discard lockwashers.
5. If needed, remove grommet (13) from master switch panel (8).



INSPECTION-ACCEPTANCE AND REJECTION CRITERIA

1. Check connectors. Replace cracked or broken connector (WP 0382 00).

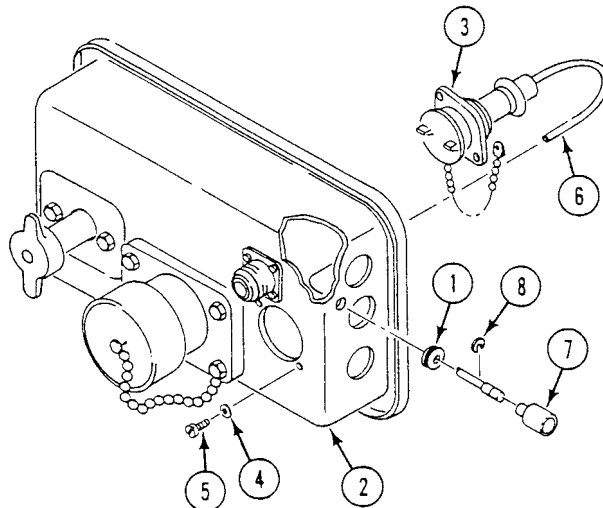
INSTALLATION

1. If removed, install new grommet (1) from master switch panel (2).

NOTE

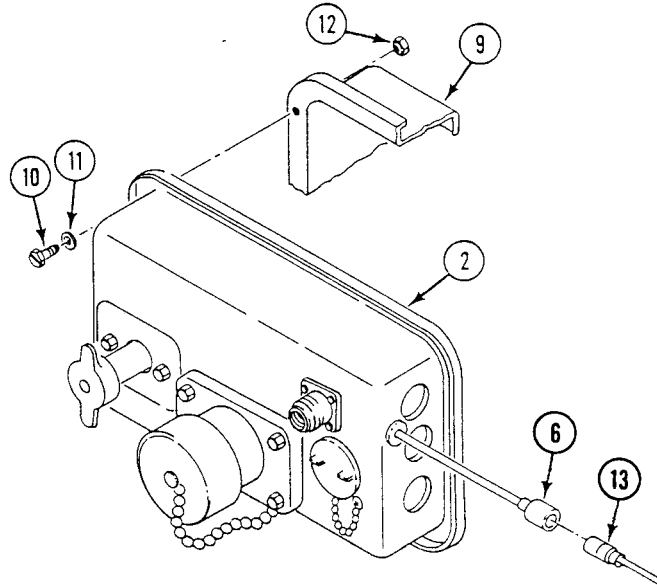
Make sure receptacle cover retaining chain is installed on lower screw.

2. Place utility outlet receptacle (3) on rear of panel (2). Secure with two new lockwashers (4) and screws (5).
3. Route utility outlet receptacle lead (6) through grommet (1). Install shell connector (7) and slotted washer (8).



REPLACE UTILITY OUTLET RECEPTACLE — Continued**0265 00** ■

4. Install master switch panel (2) on distribution box (9) Secure with eight screws (10), washers (11), and new locknuts (12).
5. Connect circuit 37 lead (13) to utility receptacle lead (6).

**FOLLOW-THROUGH STEPS**

1. Install warning light panel assembly (WP 0291 00).
2. Connect battery ground lead (WP 0337 00) or (WP 0338 00).
3. Turn MASTER SWITCH to ON (see your -10).
4. Check receptacle for electrical continuity.
5. Turn MASTER SWITCH to OFF (see your -10).

END OF TASK

**REPLACE MASTER SWITCH TO DISTRIBUTION BOX LEAD (CIRCUIT 49)
(M113A3, M1059A3, M1064A3, AND M58 ONLY)**

0266 00

THIS WORK PACKAGE COVERS:

- Removal (page 0266 00-1).
- Inspection and Repair (page 0266 00-2).
- Installation (page 0266 00-3).

INITIAL SETUP:

Maintenance Level

Unit

Personnel Required

Unit Mechanic

Tools and Special Tools

- General Mechanic's Tool Kit (WP 0926 00, Item 65)
- Multimeter (WP 0926 00, Item 30)

References

See your -10

Materials/Parts

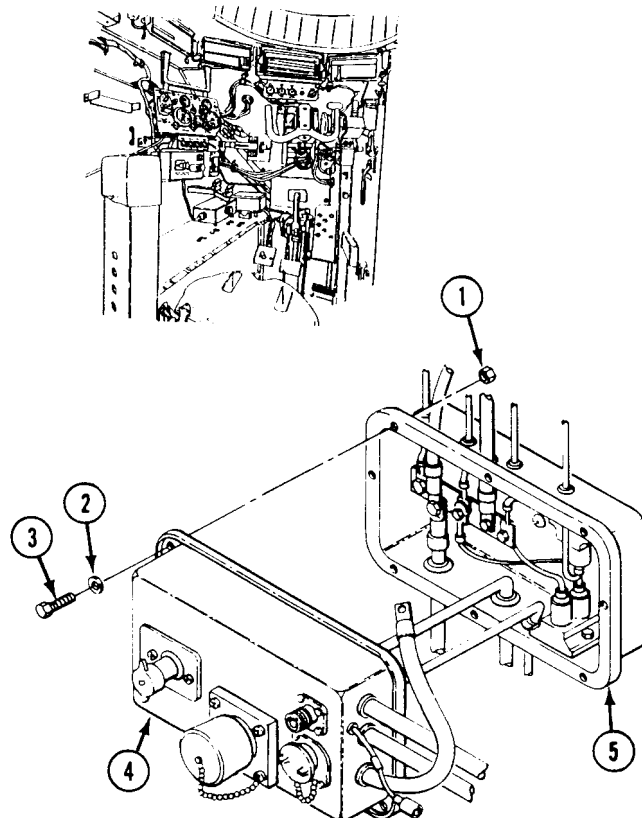
- Grommet (2)
- Locknut (8)
- Lockwasher
- Lockwasher

Equipment Condition

- Engine stopped (see your -10)
- Carrier blocked (see your -10)
- Battery ground strap disconnected (WP 0337 00)
- Instrument warning light panel removed (WP 0288 00)

REMOVAL

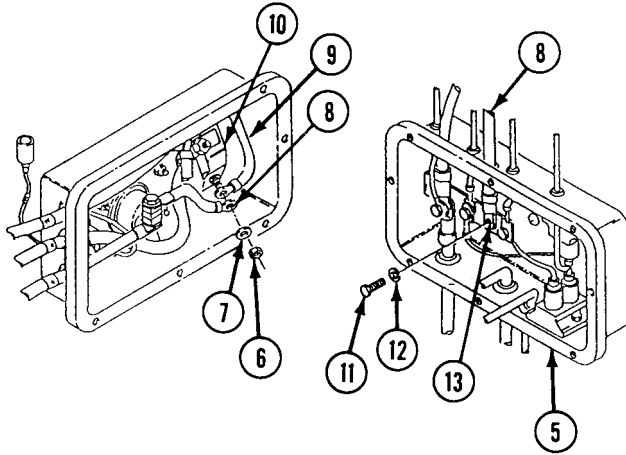
1. Remove eight locknuts (1), washers (2), screws (3), and master switch panel (4) from distribution box (5). Discard locknuts.



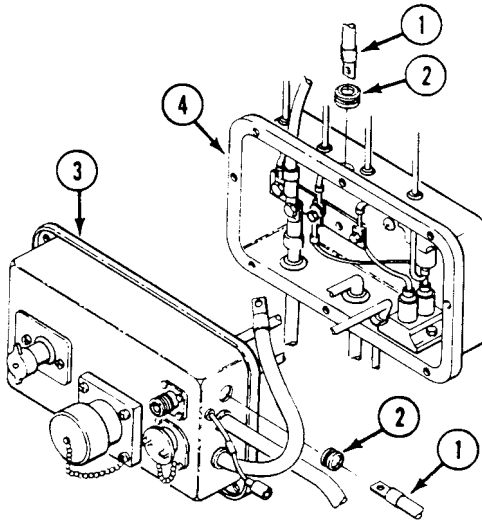
REPLACE MASTER SWITCH TO DISTRIBUTION BOX LEAD (CIRCUIT 49) (M113A3, M1059A3, M1064A3, AND M58 ONLY) — Continued

0266 00

2. Remove nut (6), lockwasher (7), circuit 49 lead (8), and circuit 50 lead (9) from master switch terminal (10). Discard lockwasher.
3. Remove screw (11), lockwasher (12), and circuit 49 lead (8) from bus bar (13) of distribution box (5). Discard lockwasher.



4. Remove circuit 49 lead (1) with two grommets (2) from master switch panel (3) and distribution box (4).



INSPECTION-ACCEPTANCE AND REJECTION CRITERIA

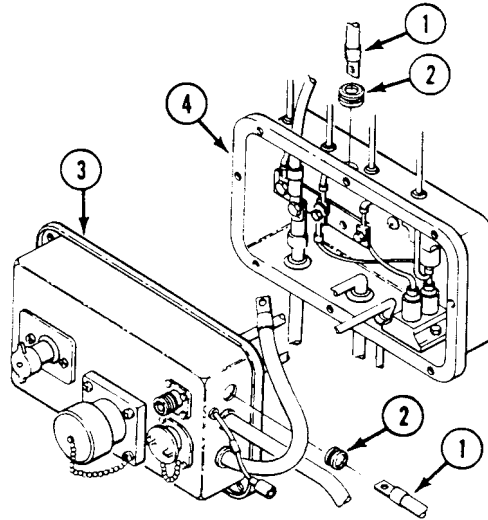
1. Check circuit 49 lead for continuity. Replace bad lead.

REPLACE MASTER SWITCH TO DISTRIBUTION BOX LEAD (CIRCUIT 49) (M113A3, M1059A3, M1064A3, AND M58 ONLY) — Continued

0266 00

INSTALLATION

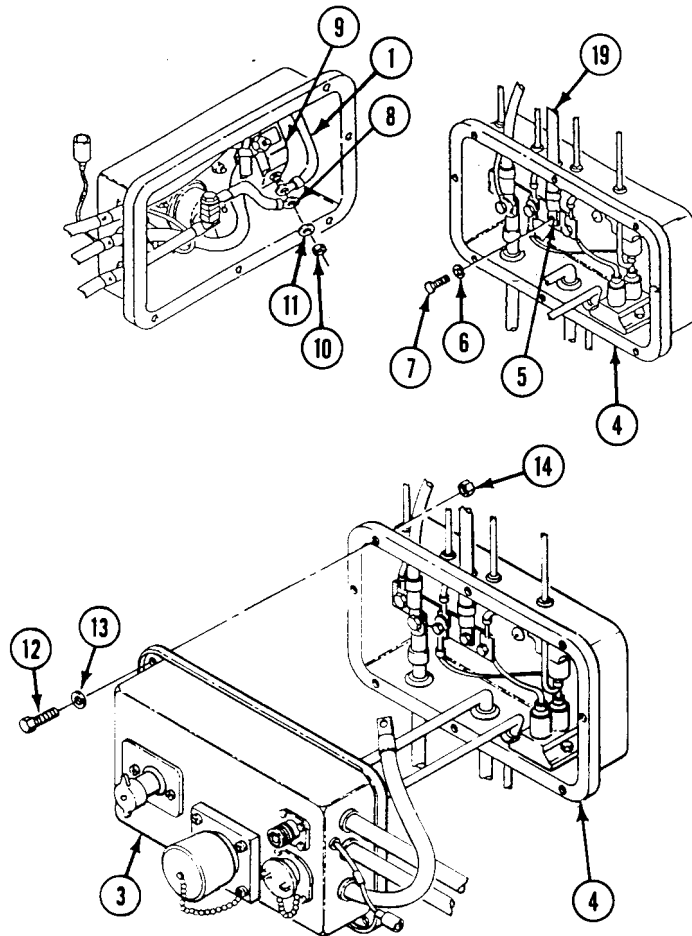
1. Install two grommets (2) on circuit 49 lead (1).
2. Route circuit 49 lead (1) through distribution box (4) and master switch panel (3). Install grommets (2) in box and panel.



**REPLACE MASTER SWITCH TO DISTRIBUTION BOX LEAD (CIRCUIT 49) (M113A3,
M1059A3, M1064A3, AND M58 ONLY) — Continued**

0266 00

3. Install circuit 49 lead (1) on bus bar (5) of distribution box (4). Secure with new lockwasher (6) and screw (7).
4. Install circuit 49 lead (1) and circuit 50 lead (8) on master switch terminal (9). Secure with nut (10) and new lockwasher (11).
5. Install master switch panel (3) on distribution box (4). Secure with eight screws (12), washers (13), and new locknuts (14).


FOLLOW-THROUGH STEPS

1. Install instrument warning light panel (WP 0288 00).
2. Connect battery ground strap (WP 0337 00).
3. Turn MASTER SWITCH ON (see your -10).
4. Check that MASTER SWITCH ON indicator light comes on (see your -10).
5. Turn MASTER SWITCH OFF (see your -10).

END OF TASK

**REPLACE MASTER SWITCH TO DISTRIBUTION BOX LEAD (CIRCUIT 49)
(M577A3 AND M1068A3 ONLY)**

0267 00

THIS WORK PACKAGE COVERS:

- Removal (page 0267 00-1).
- Inspection and Repair (page 0267 00-2).
- Installation (page 0267 00-3).

INITIAL SETUP:

Maintenance Level

Unit

Personnel Required

Unit Mechanic

Tools and Special Tools

- General Mechanic's Tool Kit (WP 0926 00, Item 65)
- Multimeter (WP 0926 00, Item 30)

References

See your -10

Materials/Parts

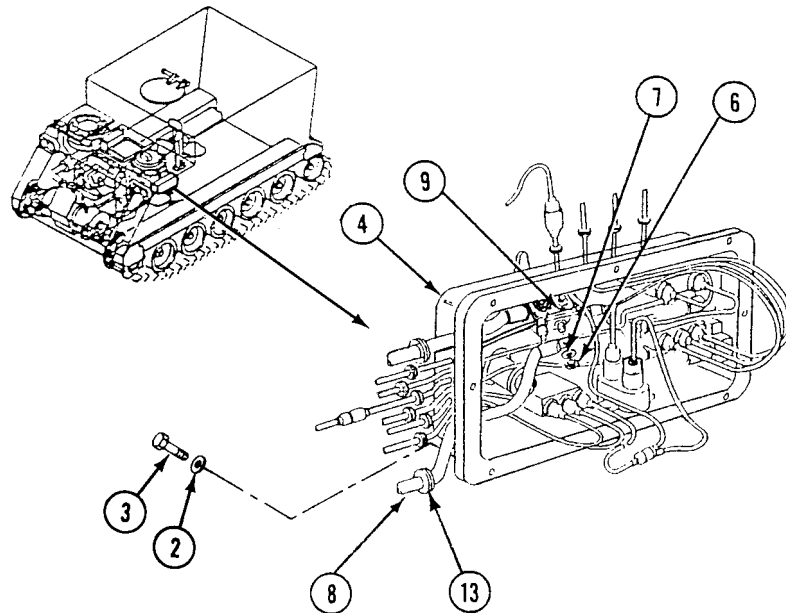
- Grommet (2)
- Lockwasher
- Locknut (8)
- Locknut

Equipment Condition

- Engine stopped (see your -10)
- Carrier blocked (see your -10)
- Battery ground lead disconnected (WP 0338 00)

REMOVAL

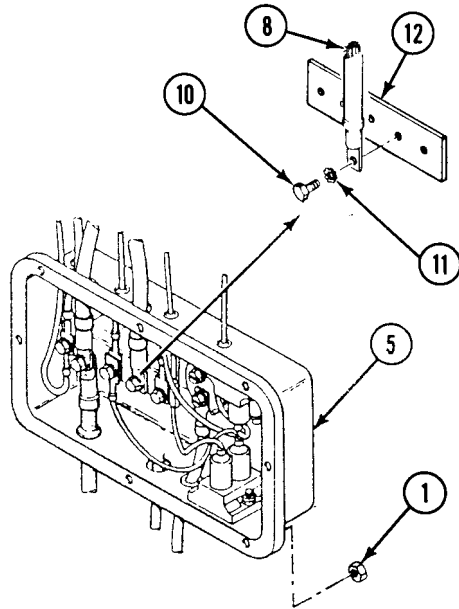
1. Remove eight locknuts (1), washers (2), screws (3), and master switch panel (4) from distribution box (5). Discard locknuts.
2. Remove locknut (6), washer (7), and circuit 49 lead (8) from master switch terminal (9). Discard locknut.



REPLACE MASTER SWITCH TO DISTRIBUTION BOX LEAD (CIRCUIT 49) (M577A3 AND M1068A3 ONLY) — Continued

0267 00

3. Remove screw (10), lockwasher (11), and circuit 49 lead (8) from distribution box bus bar (12). Discard lockwasher.
4. Remove circuit 49 lead (8) with two grommets (13) from master switch panel (4) and distribution box (5). Discard grommets.

**INSPECTION-ACCEPTANCE AND REJECTION CRITERIA**

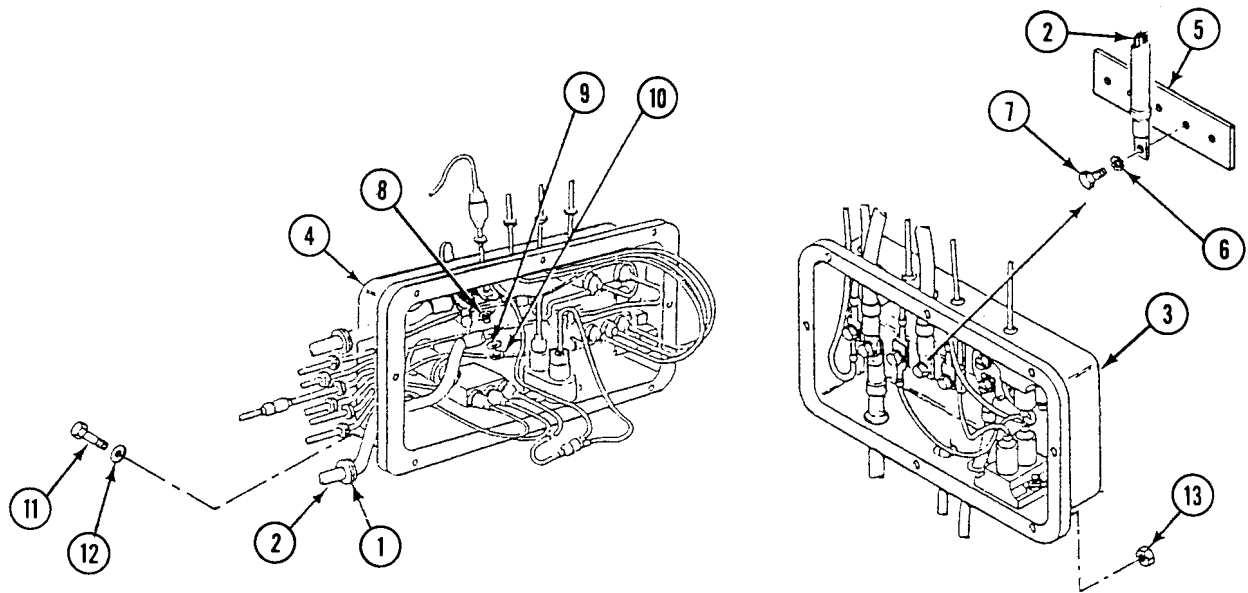
1. Check circuit 49 lead for continuity. Replace bad lead.

REPLACE MASTER SWITCH TO DISTRIBUTION BOX LEAD (CIRCUIT 49) (M577A3 AND M1068A3 ONLY) — Continued

0267 00

INSTALLATION

1. Install two new grommets (1) on circuit 49 lead (2).
2. Route circuit 49 lead (2) through distribution box (3) and master switch panel (4). Install new grommets (1) in box and panel.
3. Install circuit 49 lead (2) on bus bar (5) of distribution box (3). Secure with new lockwasher (6) and screw (7).
4. Install circuit 49 lead (2) on master switch terminal (8). Secure with washer (9), and new locknut (10).
5. Install master switch panel (4) on distribution box (3). Secure with eight screws (11), washers (12), and new locknuts (13).

**FOLLOW-THROUGH STEPS**

1. Connect battery ground lead (WP 0338 00).
2. Turn MASTER SWITCH ON (see your -10).
3. Check that MASTER SWITCH light comes on (see your -10).
4. Turn MASTER SWITCH OFF (see your -10).

END OF TASK

**REPLACE MASTER SWITCH TO AUXILIARY POWER RECEPTACLE LEAD
(CIRCUIT 50) (M113A3, M1059A3, M1064A3, AND M58)**

0268 00

THIS WORK PACKAGE COVERS:

- Removal (page 0268 00-1).
- Inspection and Repair (page 0268 00-2).
- Installation (page 0268 00-3).

INITIAL SETUP:

Maintenance Level

Unit

References

See your -10

Tools and Special Tools

- General Mechanic's Tool Kit (WP 0926 00, Item 65)
- Multimeter (WP 0926 00, Item 30)

Equipment Condition

- Engine stopped (see your -10)
- Carrier blocked (see your -10)
- Battery ground strap disconnected (WP 0337 00)
- Warning light panel assembly removed (WP 0291 00)

Materials/Parts

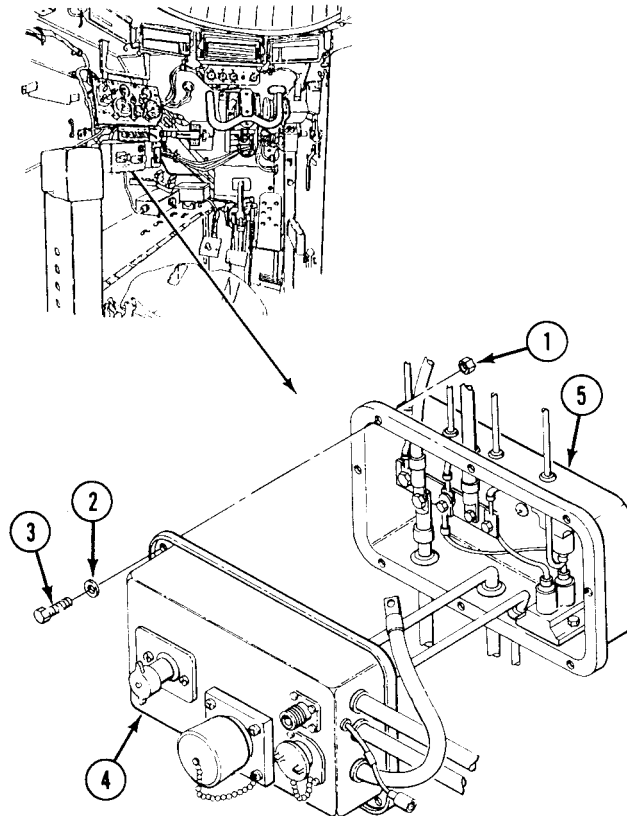
- Locknut (9)
- Lockwasher (2)

Personnel Required

Unit Mechanic

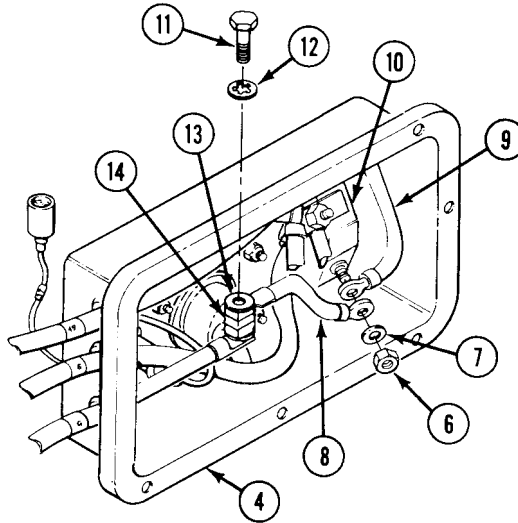
REMOVAL

1. Remove eight locknuts (1), washers (2), screws (3) and master switch panel (4) from distribution box (5). Discard locknuts.



REPLACE MASTER SWITCH TO AUXILIARY POWER RECEPTACLE LEAD (CIRCUIT 50)**0268 00****(M113A3, M1059A3, M1064A3, AND M58) — Continued**

2. Remove locknut (6) and lockwasher (7) from circuit 50 lead (8) and circuit 49 lead (9) on master switch terminal (10). Discard locknut and lockwasher.
3. Remove screw (11), lockwasher (12) and circuit 50 lead (8) from positive terminal (13) of auxiliary power receptacle (14). Remove lead from master switch panel (4). Discard lockwasher.

**INSPECTION-ACCEPTANCE AND REJECTION CRITERIA**

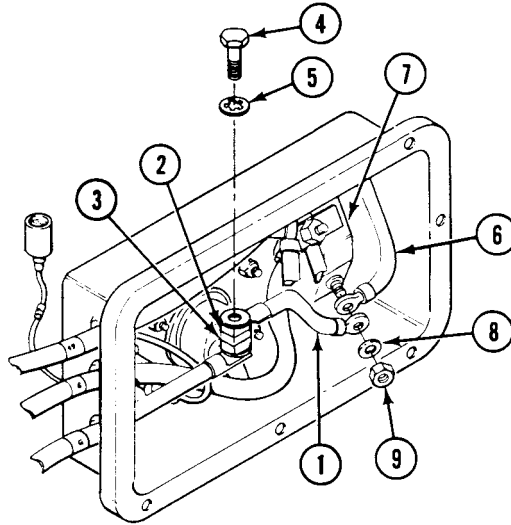
1. Check circuit 50 lead for continuity. Replace bad lead.

**REPLACE MASTER SWITCH TO AUXILIARY POWER RECEPTACLE LEAD (CIRCUIT 50)
(M113A3, M1059A3, M1064A3, AND M58) — Continued**

0268 00

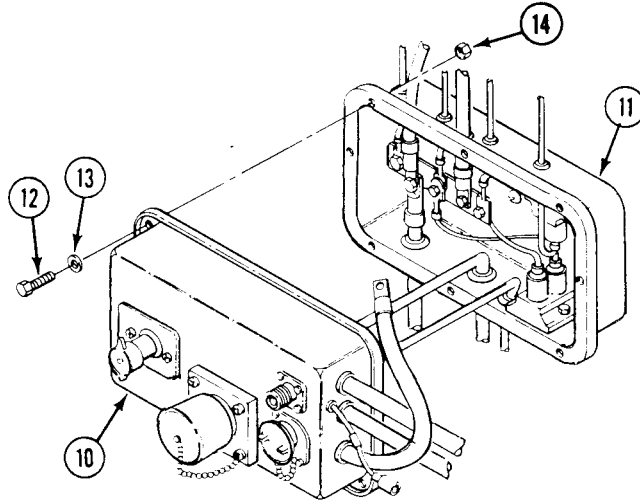
INSTALLATION

1. Install circuit 50 lead (1) on positive terminal (2) of auxiliary power receptacle (3). Secure with screw (4) and new lockwasher (5).
2. Install circuit 50 lead (1) and circuit 49 lead (6) on master switch terminal (7). Secure with new lockwasher (8) and new locknut (9).



REPLACE MASTER SWITCH TO AUXILIARY POWER RECEPTACLE LEAD (CIRCUIT 50)**0268 00****(M113A3, M1059A3, M1064A3, AND M58) — Continued**

3. Install master switch panel (10) on distribution box (11) Secure with eight screws (12), washers (13) and new locknuts (14).

**FOLLOW-THROUGH STEPS**

1. Install warning light panel assembly (WP 0291 00).
2. Connect battery ground strap (WP 0337 00).
3. Turn MASTER SWITCH to ON (see your -10).
4. Check to see if MASTER SWITCH LIGHT comes on (see your -10).
5. Turn MASTER SWITCH to OFF (see your -10).

END OF TASK

**REPLACE DISTRIBUTION BOX (M113A3, M1059A3, M1064A3,
AND M58 ONLY)**

0269 00 ■

THIS WORK PACKAGE COVERS:

Removal (page 0269 00-2).
Installation (page 0269 00-4).

INITIAL SETUP:

Maintenance Level

Unit

References

See your -10

Tools and Special Tools

General Mechanic's Tool Kit (WP 0926 00, Item 65)

Equipment Condition

Engine stopped (see your -10)

Materials/Parts

Lockwasher (5)

Lockwasher (3)

Carrier blocked (see your -10)

Personnel Required

Unit Mechanic

Battery ground strap disconnected (WP 0337 00)

Master switch panel assembly removed (WP 0260 00)

■ REPLACE DISTRIBUTION BOX (M113A3, M1059A3, M1064A3, AND M58 ONLY)
 — Continued

0269 00

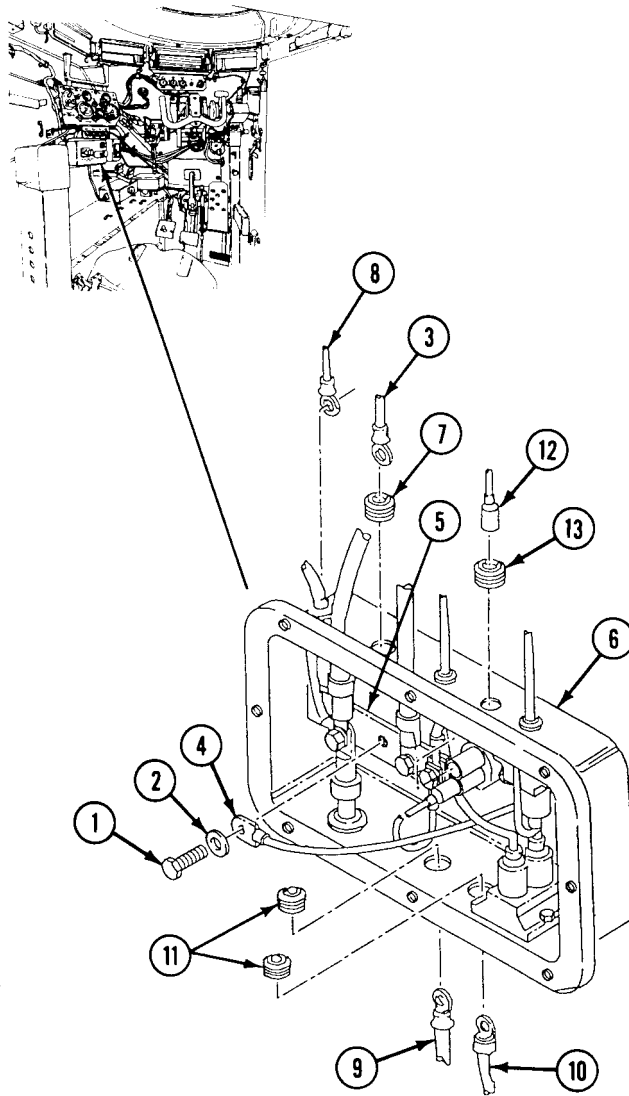
REMOVAL

1. Remove screw (1), lockwasher (2), leads 27E, 10, 15, (3), and 450A (4) from bus bar (5) of distribution box (6). Remove grommet (7). Discard lockwasher and grommet.
2. Remove lead 400 (8) from distribution box (6).
3. Remove circuit leads 2 (9), 2A (10), and two grommets (11) from distribution box (6). Discard grommets.

NOTE

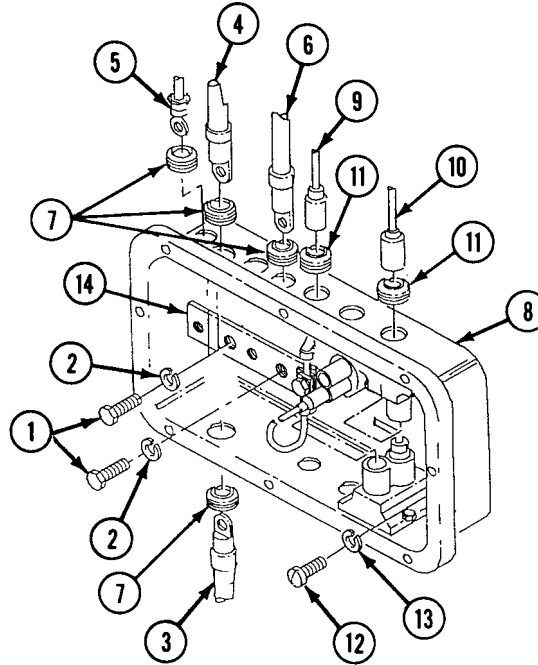
Step 4 applies to M113A3 carriers with water/ration heater kit installed only.

4. Remove circuit lead 222B (12) and grommet (13) from distribution box (6). Discard grommet.



REPLACE DISTRIBUTION BOX (M113A3, M1059A3, M1064A3, AND M58 ONLY)**0269 00** ■**— Continued**

5. Remove two screws (1), lockwashers (2), circuit leads 6 (3), 6A (4), 6L (5), 49 (6), and four grommets (7) from distribution box (8). Discard lockwashers and grommets.
6. Remove circuit leads 450 (9), 450B (10), and two grommets (11). Discard grommets.
7. Remove five screws (12), lockwashers (13), and distribution box (8) from hull. Discard lockwashers.

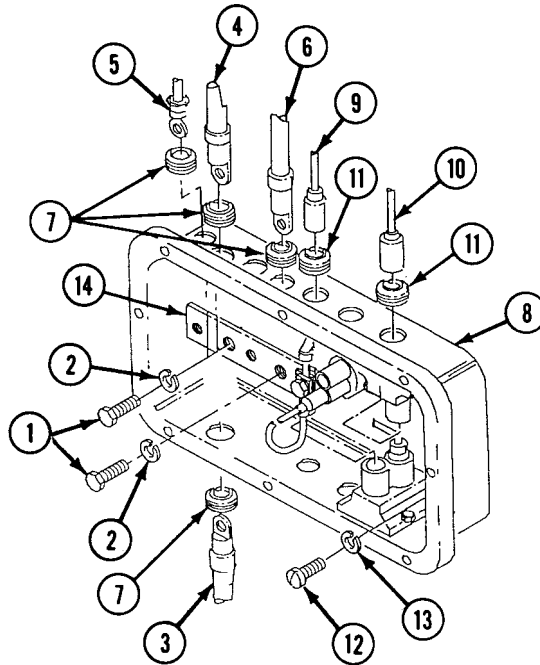


■ REPLACE DISTRIBUTION BOX (M113A3, M1059A3, M1064A3, AND M58 ONLY)
 — Continued

0269 00

INSTALLATION

1. Install distribution box (8) on hull. Secure with five screws (12) and new lockwashers (13).
2. Install circuit leads 450 (9), 450B (10), and two new grommets (11) in distribution box (8).
3. Install circuit leads 6 (3), 6A (4), 6L (5), 49 (6), and four new grommets (7) in distribution box (8). Secure leads to bus bar (14) with two screws (1) and new lockwashers (2).



4. Install new grommet (15) on circuit lead 2 (16) and new grommet (17) on circuit lead 2A (18). Route leads into distribution box (8), and install grommets in box.

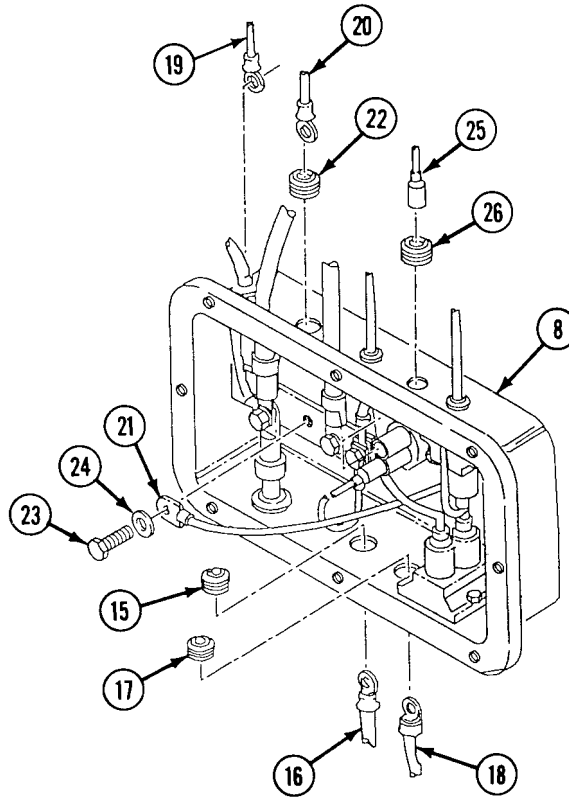
NOTE

Step 5 applies to M113A3 carriers with water/ration heater kit installed only.

5. Install circuit lead 222B (25) and grommet (26) in distribution box (8).
6. Install lead 400 (19) in distribution box (8).

REPLACE DISTRIBUTION BOX (M113A3, M1059A3, M1064A3, AND M58 ONLY)**0269 00** ■**— Continued**

7. Install circuit leads 27E, 10, 15 (20), 450A (21), and new grommet (22) in distribution box (8). Secure with screw (23) and new lockwasher (24).

**FOLLOW-THROUGH STEPS**

1. Install master switch panel (WP 0260 00).
2. Connect battery ground strap (WP 0337 00).

END OF TASK

REPAIR DISTRIBUTION BOX (M113A3, M1059A3, M1064A3, AND M58 ONLY)

0270 00 ■

THIS WORK PACKAGE COVERS:

- Removal (page 0270 00-1).
 - Installation (page 0270 00-5).
-

INITIAL SETUP:

Maintenance Level

Unit

Personnel Required

Unit Mechanic

Tools and Special Tools

General Mechanic's Tool Kit (WP 0926 00, Item 65)

References

See your -10

Materials/Parts

Adhesive (WP 0928 00, Item 4)

Gasket

Locknut (2)

Locknut (4)

Lockwasher

Lockwasher (2)

Lockwasher (4)

Lockwasher (5)

Equipment Condition

Engine stopped (see your -10)

Carrier blocked (see your -10)

Battery ground strap disconnected (WP 0337 00)

Master switch panel assembly removed (WP 0260 00)

REMOVAL

1. Remove screw (1), lockwasher (2), circuit 27E, 10, and 15 lead (3), and circuit lead 450A (4) from bus bar (5) in distribution box (6). Remove circuit 27E, 10, and 15 lead (3) and grommet (7) from distribution box. Discard lockwasher.

NOTE

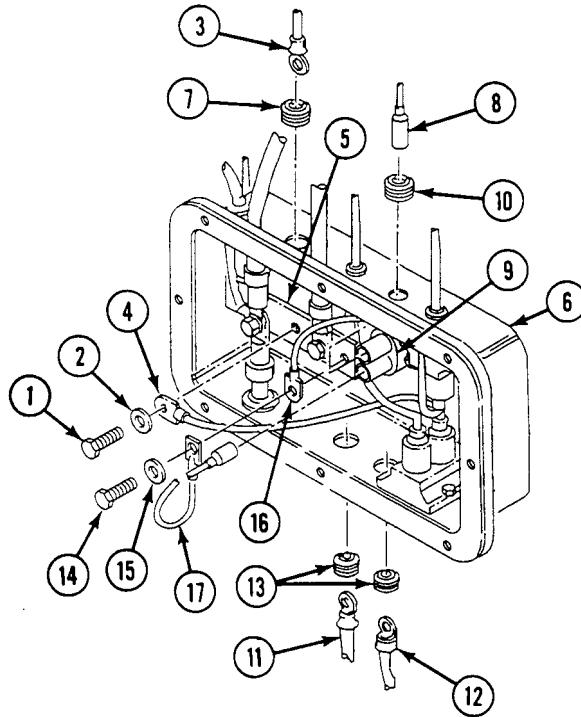
Do Step 2 and Step 3 for M113A3 carriers with water/ration heater kit installed only.

2. Disconnect circuit lead 222B (8) from water/ration heater circuit breaker (9).
3. Remove circuit lead 222B (8) and grommet (10) from distribution box (6).
4. Remove circuit leads 2 (11), 2A (12), and two grommets (13) from distribution box (6).
5. Remove screw (14), lockwasher (15), and lead 450C (16) from bus bar (5). Discard lockwasher.

NOTE

Do Step 6 and Step 7 for M113A3 carriers with water/ration heater kit installed only.

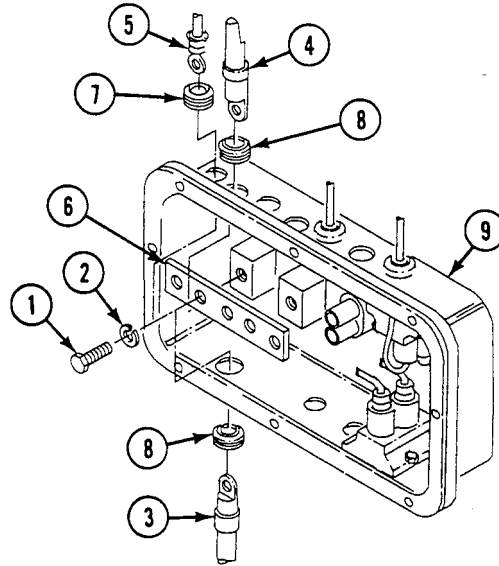
6. Remove lead 222A (17) from bus bar (5).
7. Disconnect lead 222A (17) from water/ratioheater circuit breaker (9). Remove lead 222A from distribution box (6).



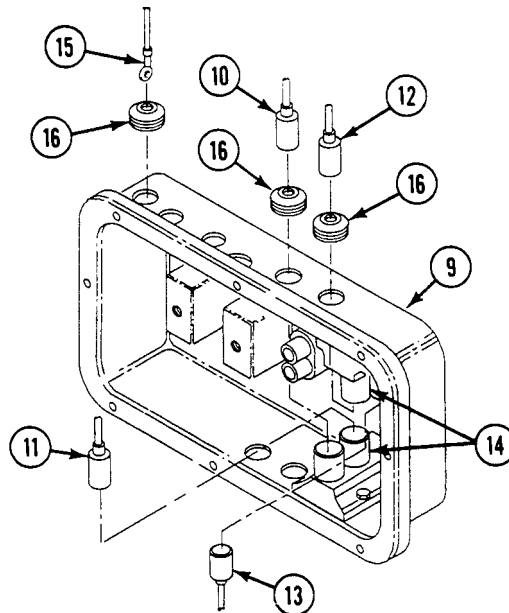
REPAIR DISTRIBUTION BOX (M113A3, M1059A3, M1064A3, AND M58 ONLY) —
Continued

0270 00 ■

8. Remove screw (1), lockwasher (2), and three circuit leads 6 (3), 6A (4), 6L (5), from bus bar (6). Remove bus bar and three leads with grommets (7) and (8) from distribution box (9). Discard lockwasher.



9. Disconnect circuit leads 450 (10), 450A (11), 450B (12), and 450C (13) from bilge pump circuit breakers (14). Remove leads 450A and 450C from distribution box.
10. Remove circuit leads 400 (15), 450 (10), and 450B (12) with three grommets (16) from distribution box (9).



**REPAIR DISTRIBUTION BOX (M113A3, M1059A3, M1064A3, AND M58 ONLY) —
Continued**

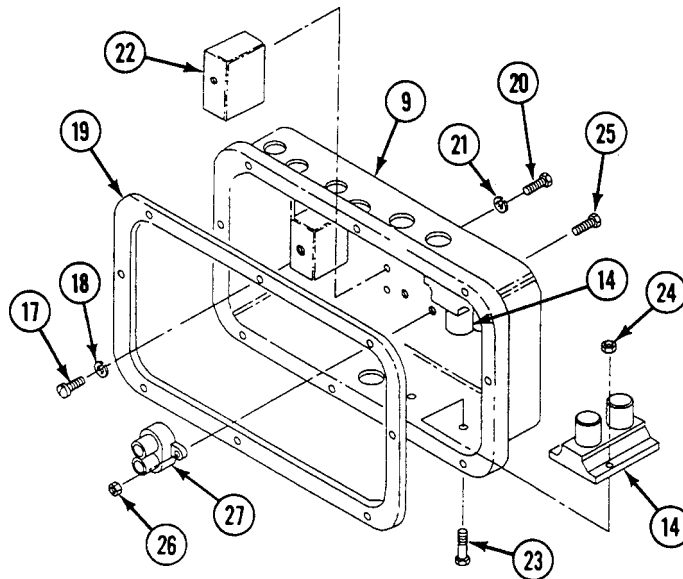
0270 00

11. Remove five screws (17), lockwashers (18), and distribution box (9) from hull. Discard lockwashers.
12. Remove gasket (19) from distribution box (9). Discard gasket.
13. Remove four screws (20), lockwashers (21), and two blocks (22) from distribution box (9). Discard lockwashers.
14. Remove four screws (23), locknuts (24), and bilge pump circuit breakers (14) from distribution box (9). Discard locknuts.

NOTE

Do Step 15 for M113A3 carriers with water/ration heater kit installed only.

15. Remove two screws (25), locknuts (26), and water/ration heater circuit breaker (27) from distribution box (9). Discard locknuts.



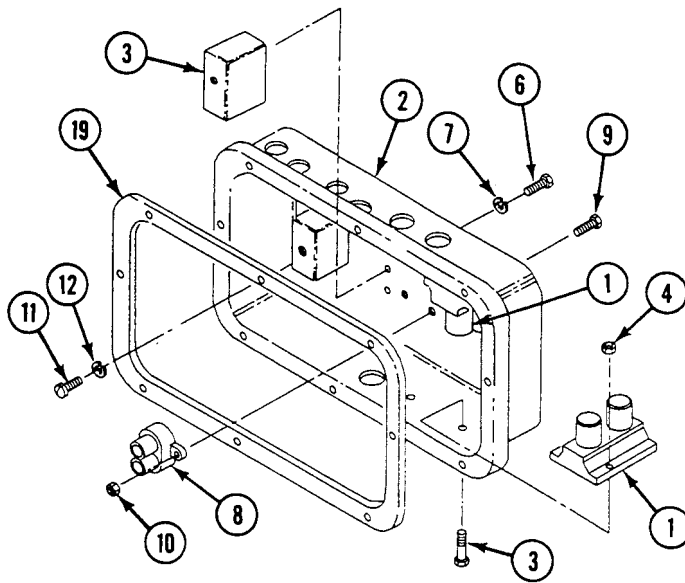
INSTALLATION

1. Install two bilge pump circuit breakers (1) in distribution box (2). Secure with four screws (3) and new locknuts (4).
2. Install two blocks (5) in distribution box (2). Secure with four screws (6) and new lockwashers (7).

NOTE

Do Step 3 for M113A3 carriers with water/ration heater kit installed only.

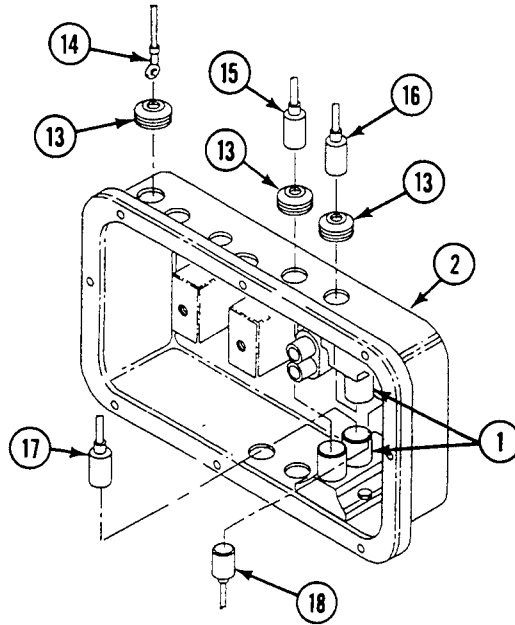
3. Install water/ration heater circuit breaker (8) in distribution box (2). Secure with two screws (9) and new locknuts (10).
4. Install distribution box (2) on hull. Secure with five screws (11) and new lockwashers (12).



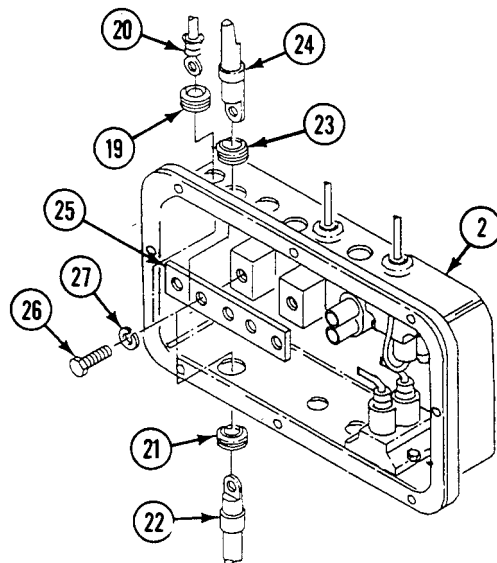
REPAIR DISTRIBUTION BOX (M113A3, M1059A3, M1064A3, AND M58 ONLY) —
Continued

0270 00

5. Install three grommets (13) on circuit leads 400 (14), 450 (15), and 450B (16). Route leads into distribution box (2) and install grommets in distribution box.
6. Connect circuit leads 450 (15), 450A (17), 450B (16), and 450C (18) to bilge pump circuit breakers (1).



7. Install grommet (19) on circuit lead 6L (20). Route circuit lead 6L into distribution box (2) and install grommet in distribution box.
8. Install grommet (21) on circuit lead 6 (22) and grommet (23) on circuit lead 6A (24). Route leads into distribution box (2) and install grommets in distribution box.
9. Secure leads 6 (22), 6A (24), 6L (20), and bus bar (25) to distribution box (2) with screw (26) and new lockwasher (27).



NOTE

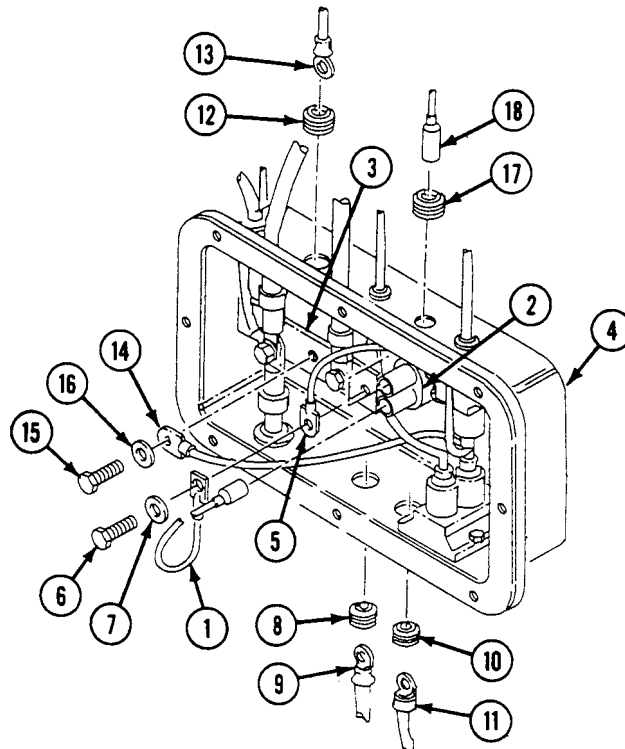
Do Step 10 and Step 11 for M113A3 carriers with water/ration heater kit installed only.

10. Connect lead 222A (1) to water/ration heater circuit breaker (2).
11. Install lead 222A (1) on bus bar (3) in distribution box (4).
12. Secure circuit lead 450C (5) to bus bar (3) in distribution box (4) with screw (6) and new lockwasher (7).
13. Install grommet (8) on circuit lead 2 (9) and grommet (10) on lead 2A (11). Route leads into distribution box (4) and install grommets in distribution box.
14. Install grommet (12) on circuit 27E, 10, and 15 lead (13). Route lead into distribution box (4) and install grommet in distribution box.
15. Secure circuit 27E, 10, and 15 lead (13) and lead 450A (14) to bus bar (3) with screw (15) and new lockwasher (16).

NOTE

Do Step 16 and Step 17 for M113A3 carriers with water/ration heater kit installed only.

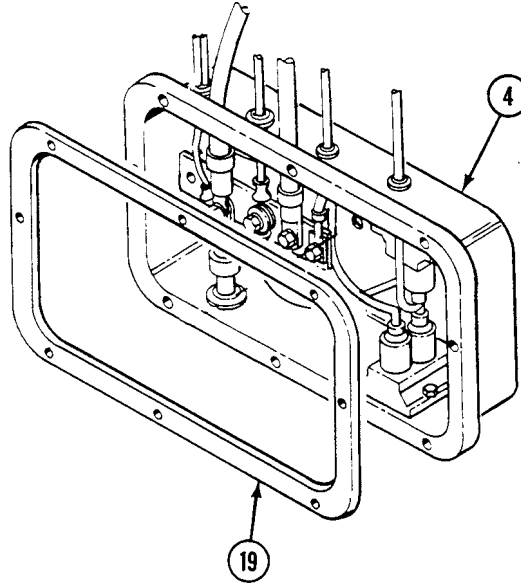
16. Install grommet (17) on circuit lead 222B (18). Route lead into distribution box (4) and install grommet in distribution box.
17. Connect circuit lead 222B (18) to water/ration circuit breaker (2) in distribution box (4).



REPAIR DISTRIBUTION BOX (M113A3, M1059A3, M1064A3, AND M58 ONLY) —
Continued

0270 00 ■

18. Apply thin coat of adhesive sealant to one side of gasket (19) and to mounting surface of distribution box (4). Install gasket on distribution box.

**FOLLOW-THROUGH STEPS**

1. Install master switch panel assembly (WP 0260 00).
2. Connect battery ground strap (WP 0337 00).

END OF TASK

REPLACE DISTRIBUTION BOX ASSEMBLY (M577A3 AND M1068A3 ONLY)

0271 00

THIS WORK PACKAGE COVERS:

Removal (page 0271 00-1).
 Installation (page 0271 00-3).

INITIAL SETUP:

Maintenance Level

Unit

Personnel Required

Unit Mechanic

Tools and Special Tools

General Mechanic's Tool Kit (WP 0926 00, Item 65)

References

See your -10

Materials/Parts

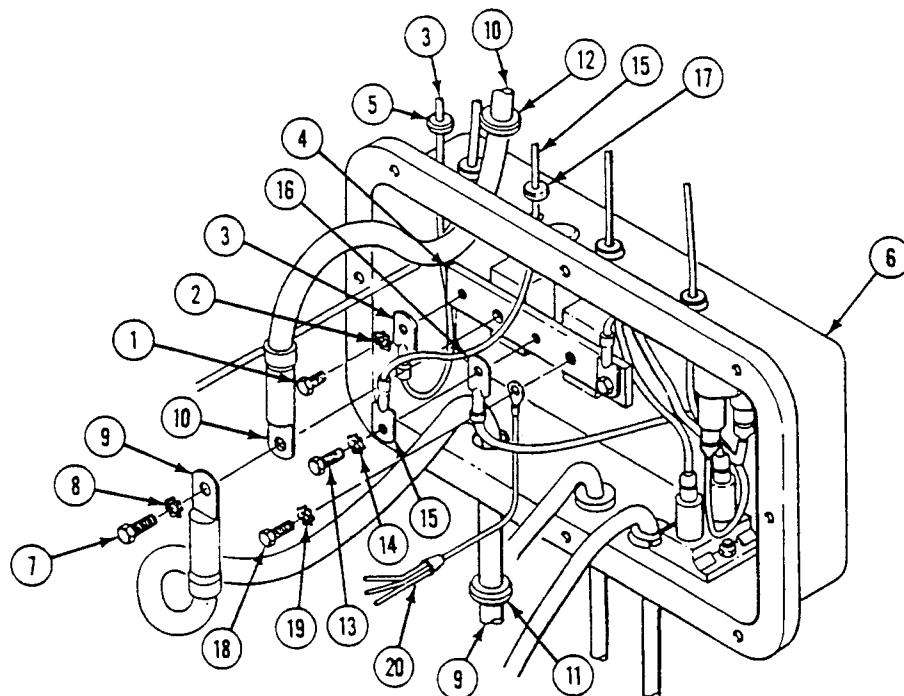
Adhesive (WP 0928 00, Item 4)
 Gasket
 Grommet (9)
 Lockwasher (5)
 Lockwasher (5)

Equipment Condition

Engine stopped (see your -10)
 Carrier blocked (see your -10)
 Battery ground lead disconnected (WP 0338 00)
 Master switch panel assembly removed (WP 0261 00)

REMOVAL

1. Remove screw (1), lockwasher (2), and circuit 415 lead (3) from bus bar (4). Remove circuit 415 lead and grommet (5) from distribution box (6). Discard grommet and lockwasher.
2. Remove screw (7), lockwasher (8), circuit 6 lead (9), and circuit 49 lead (10) from bus bar (4). Remove circuit 6 lead, circuit 49 lead, and two grommets (11), (12) from distribution box (6). Discard grommets and lockwasher.
3. Remove screw (13), lockwasher (14), circuit 10, 14, 15, 27E lead (15), and circuit 450A lead (16) from bus bar (4). Remove circuit 10, 14, 15, 27E lead and grommet (17) from distribution box (6). Discard grommet and lockwasher.
4. Remove screw (18), lockwasher (19), and wiring harness (20) from bus bar (4). Discard lockwasher.

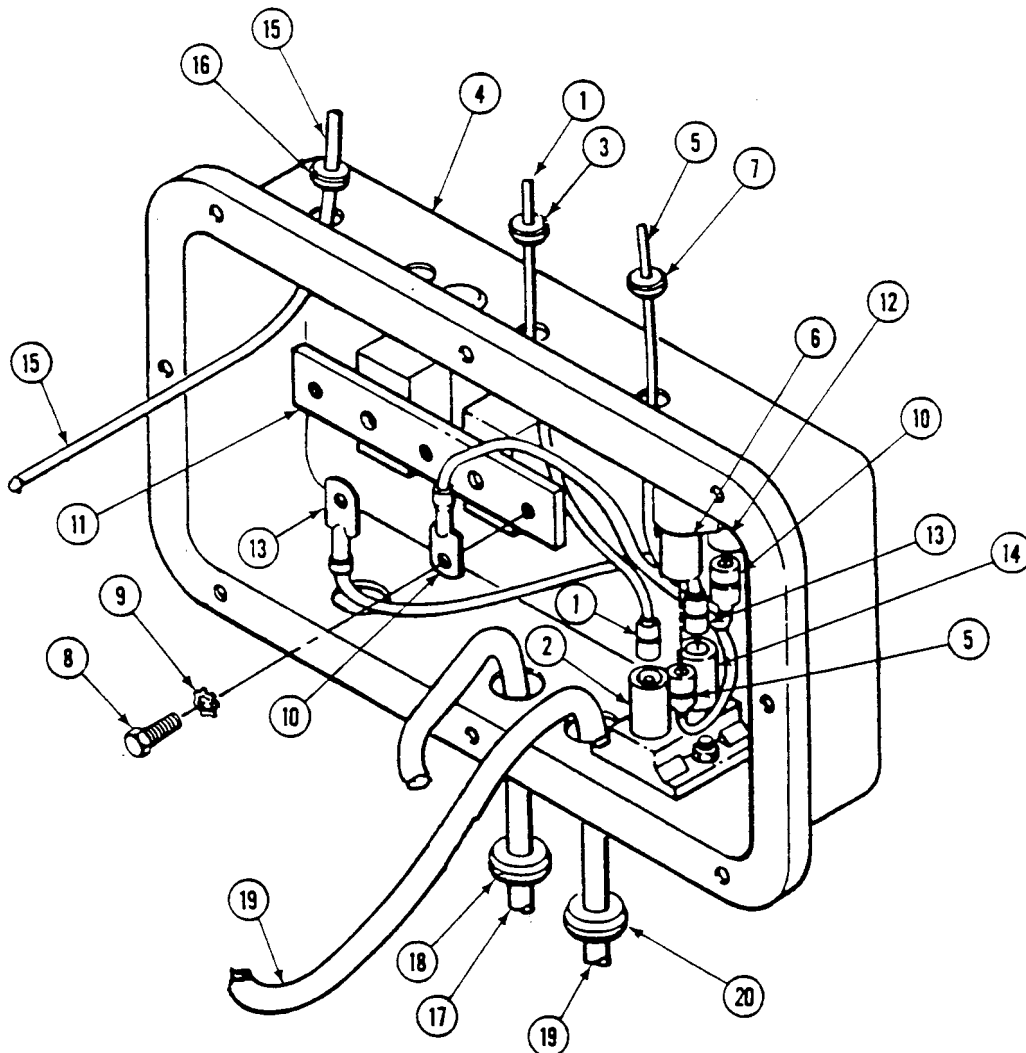


5. Disconnect circuit 450 lead (1) from circuit breaker (2). Remove circuit 450 lead and grommet (3) from distribution box (4). Discard grommet.
6. Disconnect circuit 450B lead (5) from circuit breaker (6). Remove circuit 450B lead and grommet (7) from distribution box (4). Discard grommet.

NOTE

If bilge pump circuit breakers must be removed, see (WP 0275 00) for removal. If bilge pump circuit breakers are not to be removed, go to Step 10.

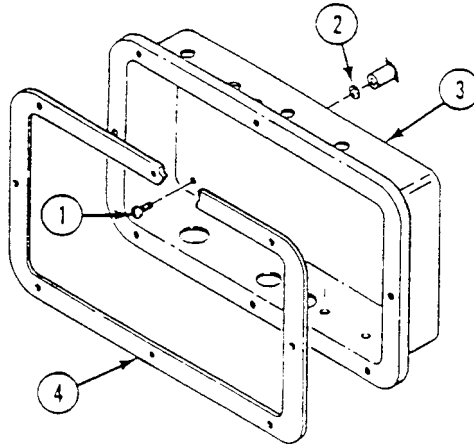
7. Remove screw (8), lockwasher (9), and circuit 450C lead (10) from bus bar (11). Discard lockwasher.
8. Disconnect circuit 450C lead (10) from circuit breaker (12). Remove circuit 450C lead from distribution box (4).
9. Disconnect circuit 450A lead (13) from circuit breaker (14). Remove circuit 450A lead from distribution box (4).
10. Remove circuit 400 lead (15) and grommet (16) from distribution box (4). Discard grommet.
11. Remove circuit 2 lead (17) and grommet (18) from distribution box (4). Discard grommet.
12. Remove circuit 2A lead (19) and grommet (20) from distribution box (4). Discard grommet.



13. Remove five screws (1), lockwashers (2), and distribution box (3) from hull. Discard lockwashers.
14. Remove gasket (4) from distribution box (3). Discard gasket.

INSTALLATION

1. Install distribution box (3) on hull. Secure with five new lockwashers (2) and screws (1). Retain new gasket (4) for later installation.

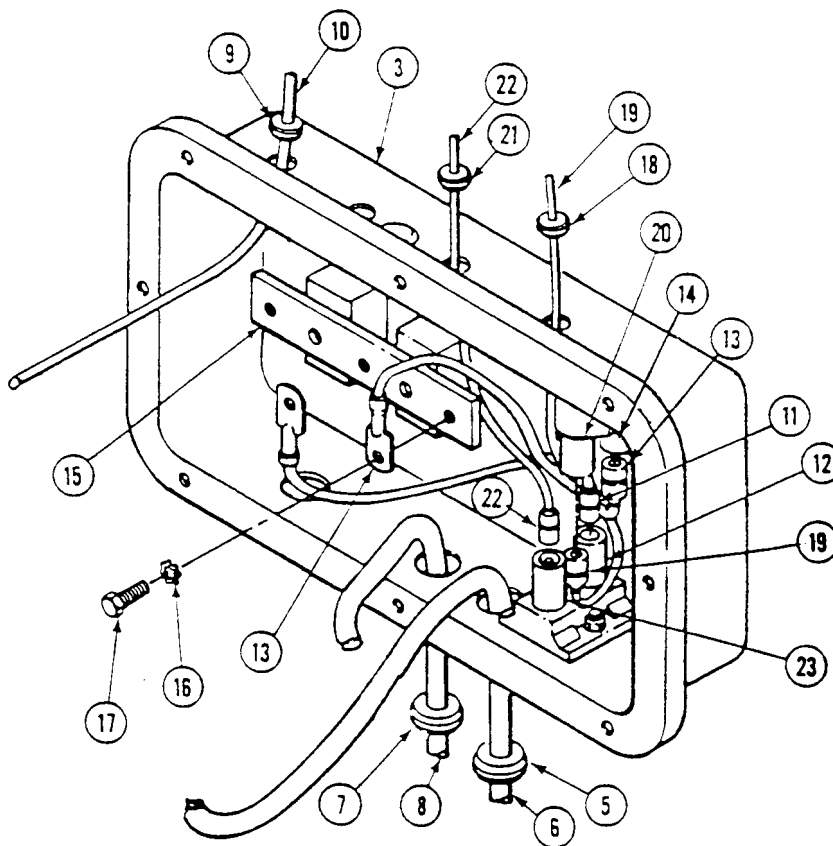


2. Install new grommet (5) and circuit 2A lead (6) in distribution box (3).
3. Install new grommet (7) and circuit 2 lead (8) in distribution box (3).
4. Install new grommet (9) and circuit 400 lead (10) in distribution box (3).

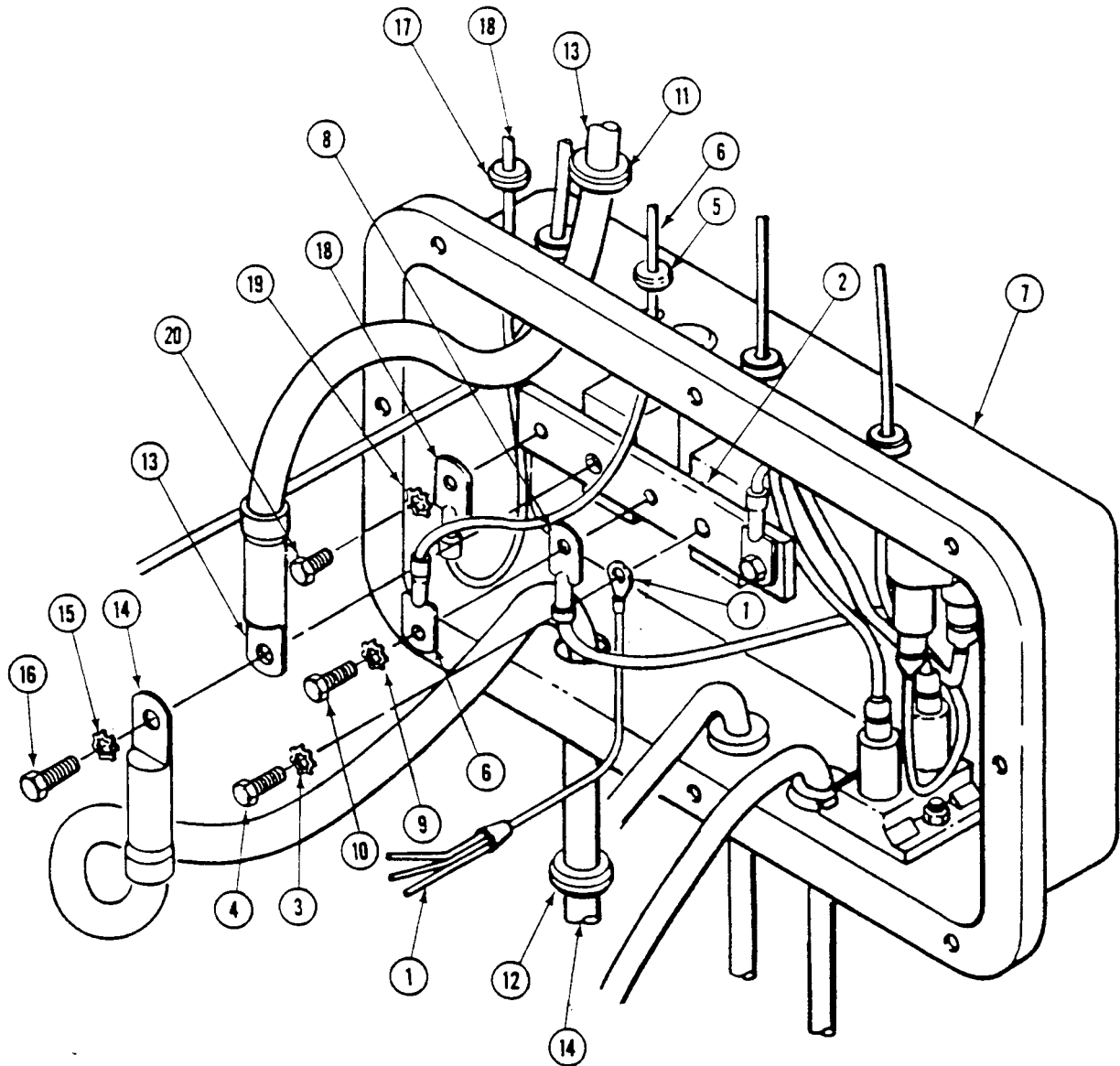
NOTE

If bilge pump circuit breakers were removed, see (WP 0275 00) for installation. If bilge pump circuit breakers were not removed, go to Step 8.

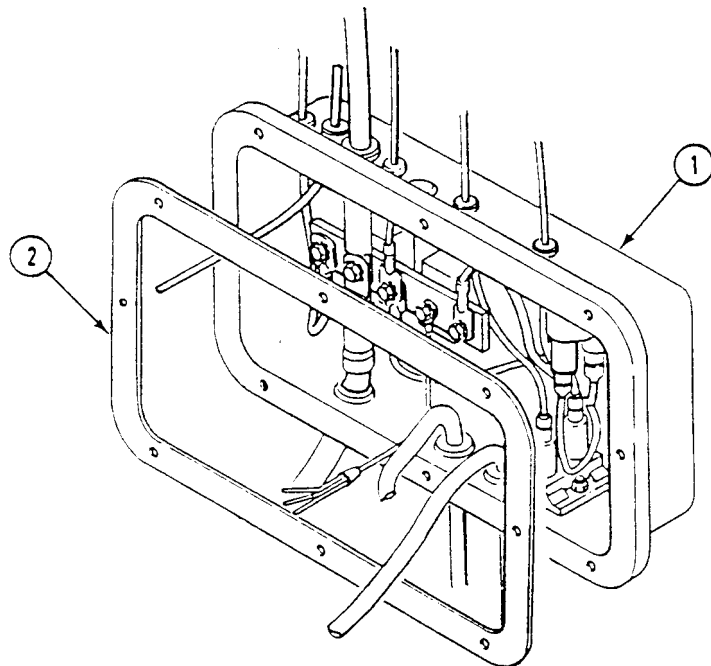
5. Connect circuit 450A lead (11) to circuit breaker (12).
6. Connect circuit 450C lead (13) to circuit breaker (14).
7. Install circuit 450C lead (13) on bus bar (15). Secure with new lockwasher (16) and screw (17).
8. Install new grommet (18) and circuit 450B lead (19) in distribution box (3). Connect circuit 450B lead to circuit breaker (20).
9. Install new grommet (21) and circuit 450 lead (22) in distribution box (3). Connect circuit 450 lead to circuit breaker (23).



10. Install wiring harness (1) on bus bar (2). Secure with new lockwasher (3) and screw (4).
11. Install new grommet (5) and circuit 10, 14, 15, 27E lead (6) in distribution box (7). Install circuit 10, 14, 15, 27E lead (6) and circuit 450A lead (8) on bus bar (2). Secure with new lockwasher (9) and screw (10).
12. Install two new grommets (11) and (12), circuit 49 lead (13), and circuit 6 lead (14) in distribution box (7). Install circuit 49 lead (13) and circuit 6 lead (14) on bus bar (2). Secure with new lockwasher (15) and screw (16).
13. Install new grommet (17) and circuit 415 lead (18) in distribution box (7). Install circuit 415 lead (18) on bus bar (2). Secure with new lockwasher (19) and screw (20).



14. Apply one coat of adhesive to cleaned mounting surface of distribution box (1) and one side of new gasket (2).
15. Install new gasket (2) on coated mounting surface of distribution box (1).



FOLLOW-THROUGH STEPS

1. Install master switch panel (WP 0261 00).
2. Connect battery ground lead (WP 0338 00).
3. Start engine (see your -10).
4. Check that distribution box is operable (see your -10).
5. Stop engine (see your -10).

END OF TASK

REPLACE BILGE PUMP CIRCUIT BREAKERS

0275 00

THIS WORK PACKAGE COVERS:

- Removal (page 0275 00-1).
- Installation (page 0275 00-2).

INITIAL SETUP:

Maintenance Level

Unit

References

See your -10

Tools and Special Tools

General Mechanic's Tool Kit (WP 0926 00, Item 65)

Equipment Condition

Engine stopped (see your -10)

Materials/Parts

Locknut (8)

Carrier blocked (see your -10)

Locknut (4)

Battery ground strap disconnected (WP 0337 00) or (WP 0338 00)

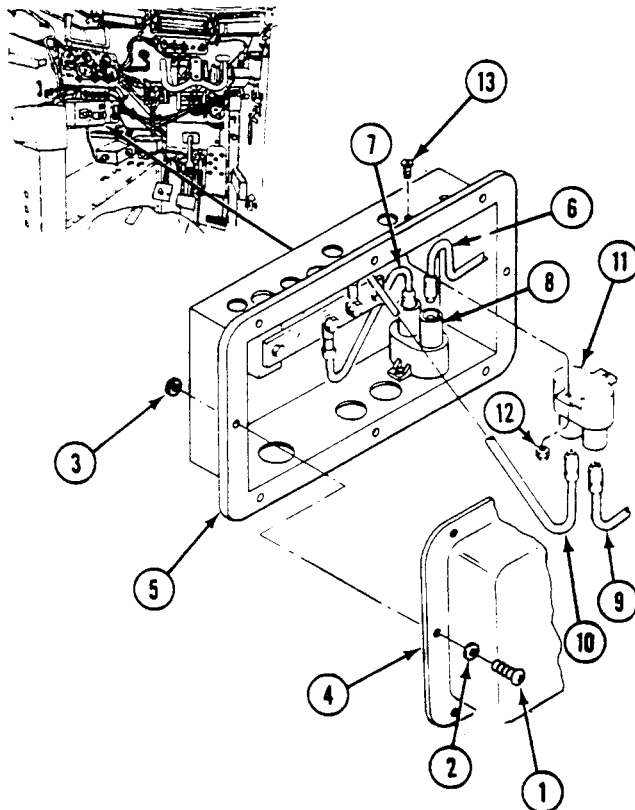
Personnel Required

Unit Mechanic

Instrument warning light panel removed (WP 0260 00)

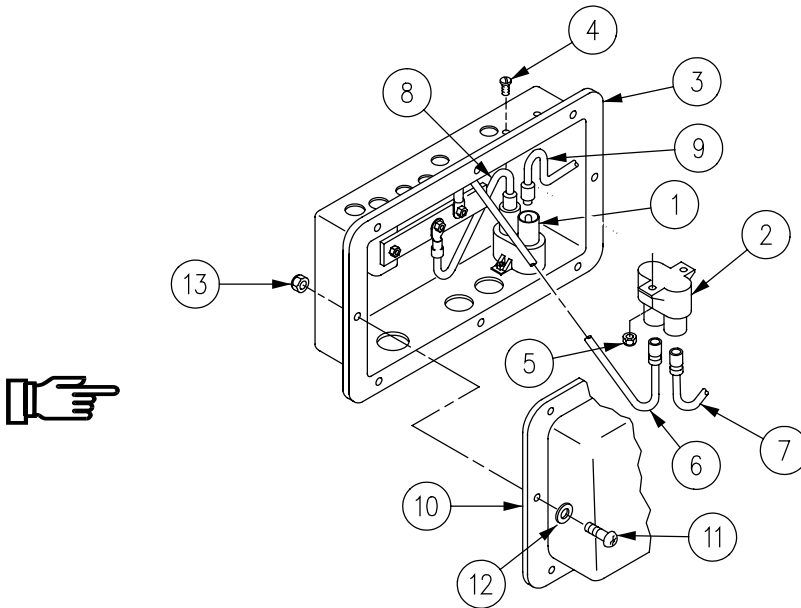
REMOVAL

1. Remove eight screws (1), washers (2), and locknuts (3) from master switch panel (4) and distribution box (5). Remove master switch panel from distribution box. Discard locknuts.
2. Disconnect circuit 450 lead (6) and circuit 450A lead (7) from front bilge pump circuit breaker (8).
3. Disconnect circuit 450B lead (9) and circuit 450C lead (10) from rear bilge pump circuit breaker (11).
4. Remove four locknuts (12), screws (13), and two circuit breakers (8) and (11) from distribution box (5). Discard locknuts



INSTALLATION

1. Install two circuit breakers (1) and (2) in distribution box (3). Secure with four screws (4) and new locknuts (5).
2. Connect circuit 450C lead (6) and circuit 450B lead (7) to rear bilge pump circuit breaker (2).
3. Connect circuit 450A lead (8) and circuit 450 lead (9) to front bilge pump circuit breaker (1).
4. Place master switch panel (10) on distribution box (3). Secure with eight screws (11), washers (12), and new locknuts (13).

**FOLLOW-THROUGH STEPS**

1. Install instrument warning light panel (WP 0260 00).
2. Connect battery ground strap (WP 0337 00) or (WP 0338 00).
3. Turn MASTER SWITCH to ON (see your -10).
4. Turn bilge pump switches to ON to check that bilge pump circuit breaker works properly (see your -10). Bilge pump lights should come on (see your -10).
5. Turn all switches to OFF (see your -10).

END OF TASK

REPLACE REAR UTILITY RECEPTACLE CIRCUIT BREAKERS (M577A3 AND M1068A3 ONLY)

0276 00

THIS WORK PACKAGE COVERS:

- Removal (page 0276 00-1).
- Inspection and Repair (page 0276 00-2).
- Installation (page 0276 00-3).

INITIAL SETUP:

Maintenance Level

Unit

Personnel Required

Unit Mechanic

Tools and Special Tools

General Mechanic's Tool Kit (WP 0926 00, Item 65)

References

See your -10

Materials/Parts

Gasket

Locknut (8)

Equipment Condition

Engine stopped (see your -10)

Carrier blocked (see your -10)

Battery ground lead disconnected (WP 0338 00)

REMOVAL

NOTE

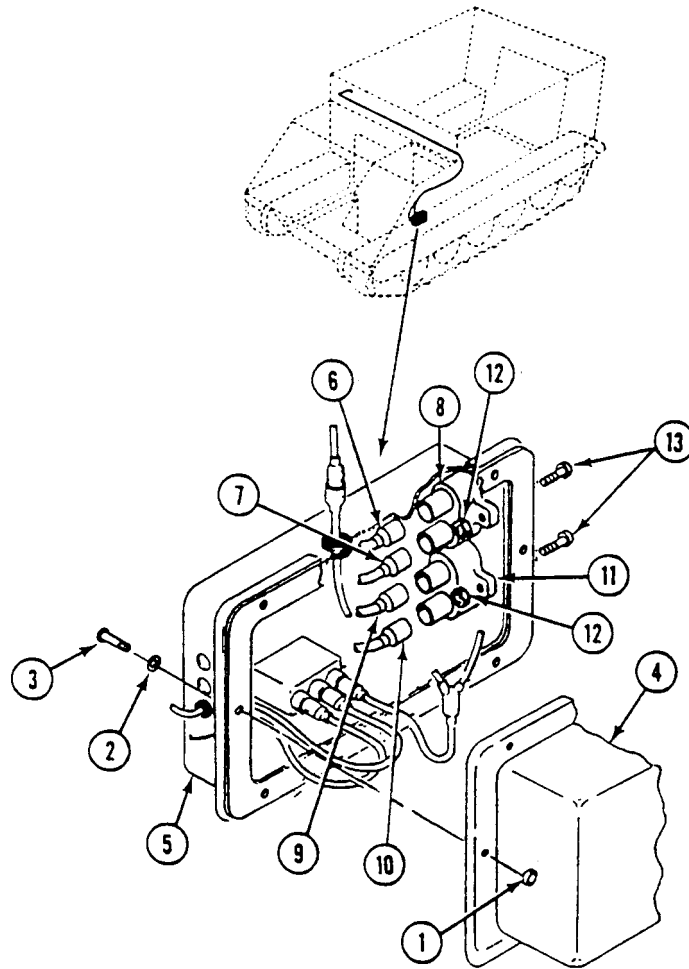
If you want to remove only the left circuit breaker, skip Step 3. If you want to remove only the right circuit breaker, skip Step 2.

1. Remove eight locknuts (1), washers (2), screws (3), and master switch panel (4) from distribution box (5). Discard locknuts.

REPLACE REAR UTILITY RECEPTACLE CIRCUIT BREAKERS (M577A3 AND M1068A3 ONLY) — Continued

0276 00

2. Disconnect circuit 10 lead (6) and circuit 37A lead (7) from left circuit breaker (8).
3. Disconnect circuit 38B lead (9) and circuit 10 lead (10) from right circuit breaker (11).
4. Remove four nuts (12), screws (13), and circuit breakers (8) and (11) from distribution box (5).

**INSPECTION-ACCEPTANCE AND REJECTION CRITERIA**

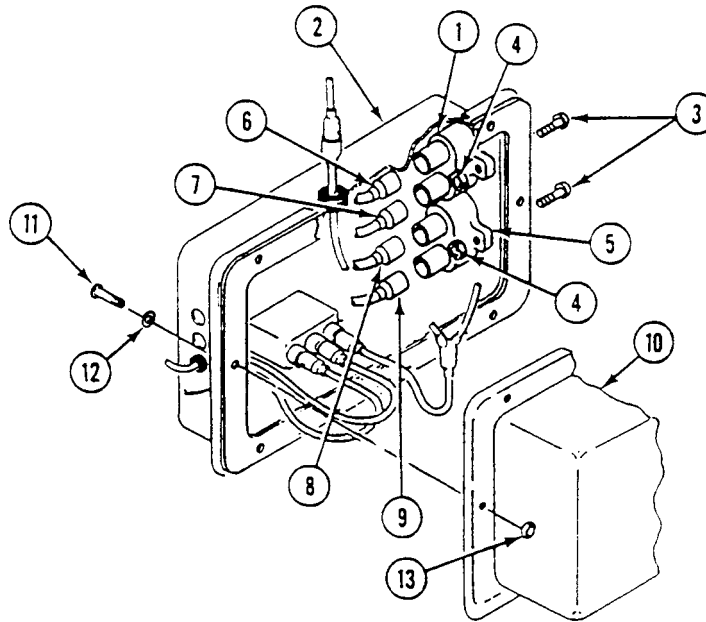
1. Inspect gasket on flange of distribution box. Replace if damaged.

REPLACE REAR UTILITY RECEPTACLE CIRCUIT BREAKERS (M577A3 AND M1068A3 ONLY) — Continued

0276 00

INSTALLATION

1. Install circuit breaker (1) in distribution box (2). Secure with two screws (3) and nuts (4).
2. Install circuit breaker (5) in distribution box (2). Secure with two screws (3) and nuts (4).
3. Connect circuit 10 lead (6) and circuit 37A lead (7) to circuit breaker (1).
4. Connect circuit 37B lead (8) and circuit 10 lead (9) to circuit breaker (5).
5. Install master switch panel (10) on distribution box (2). Secure with eight screws (11), washers (12), and new locknuts (13).



FOLLOW-THROUGH STEPS

1. Connect battery ground lead (WP 0338 00).
2. Turn MASTER SWITCH ON (see your -10).
3. Check for power at utility outlet receptacles (see your -10).
4. Turn MASTER SWITCH OFF (see your -10).

END OF TASK

REPLACE FUEL SELECTOR SWITCH (M577A3 AND M1068A3 ONLY)

0277 00

THIS WORK PACKAGE COVERS:

Removal (page 0277 00-1).
 Installation (page 0277 00-3).

INITIAL SETUP:

Maintenance Level

Unit

Personnel Required

Unit Mechanic

Tools and Special Tools

General Mechanic's Tool Kit (WP 0926 00, Item 65)

References

See your -10

Materials/Parts

Gasket
 Locknut (8)

Equipment Condition

Engine stopped (see your -10)
 Carrier blocked (see your -10)
 Battery ground lead disconnected (WP 0338 00)

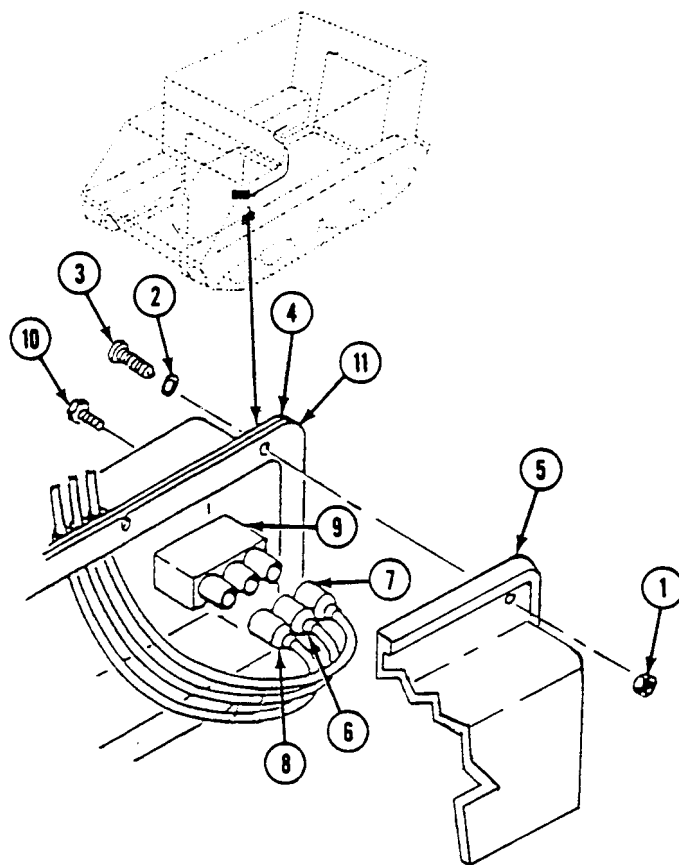
REMOVAL

1. Remove eight locknuts (1), washers (2), screws (3), and master switch panel (4) from distribution box (5). Discard locknuts.

REPLACE FUEL SELECTOR SWITCH (M577A3 AND M1068A3 ONLY) — Continued

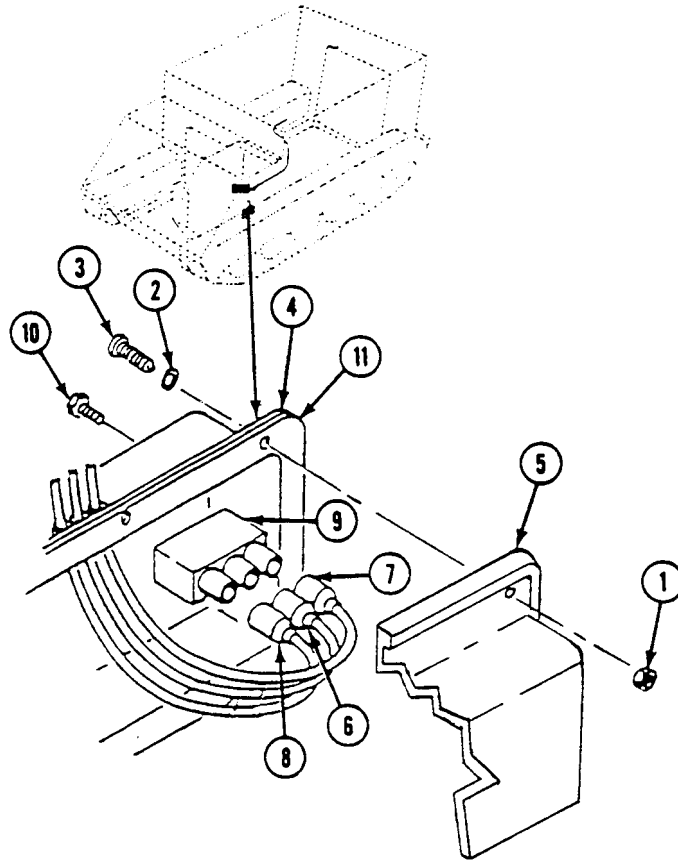
0277 00

2. Disconnect circuit 28 lead (6), circuit 29 lead (7), and circuit 30 lead (8) from fuel selector switch (9).
3. Remove two screws (10) and fuel selector switch (9) from master switch panel (4).
4. Inspect gasket (11). Replace if needed.



INSTALLATION

1. Install fuel selector switch (9) on master switch panel (4). Secure with two screws (10).
2. Connect circuit 30 lead (8), circuit 29 lead (7), and circuit 28 lead (6) to fuel selector switch (9).
3. Install master switch panel (4) on distribution box (5). Secure with eight screws (3), washers (2), and new locknuts (1).

**FOLLOW-THROUGH STEPS**

1. Connect battery ground lead (WP 0338 00) .
2. Turn MASTER SWITCH ON (see your -10).
3. Move FUEL SELECTOR SWITCH to opposite position (see your -10). Check that fuel gage needle moves to correspond to left and right fuel tank levels (see your -10).
4. Turn MASTER SWITCH OFF (see your -10).

END OF TASK

REPLACE BLOWER SWITCH (M577A3 AND M1068A3 ONLY)

0278 00

THIS WORK PACKAGE COVERS:

Removal (page 0278 00-1).
 Installation (page 0278 00-3).

INITIAL SETUP:

Maintenance Level

Unit

Personnel Required

Unit Mechanic

Tools and Special Tools

General Mechanic's Tool Kit (WP 0926 00, Item 65)

References

See your -10

Materials/Parts

Gasket

Locknut (8)

Equipment Condition

Engine stopped (see your -10)

Carrier blocked (see your -10)

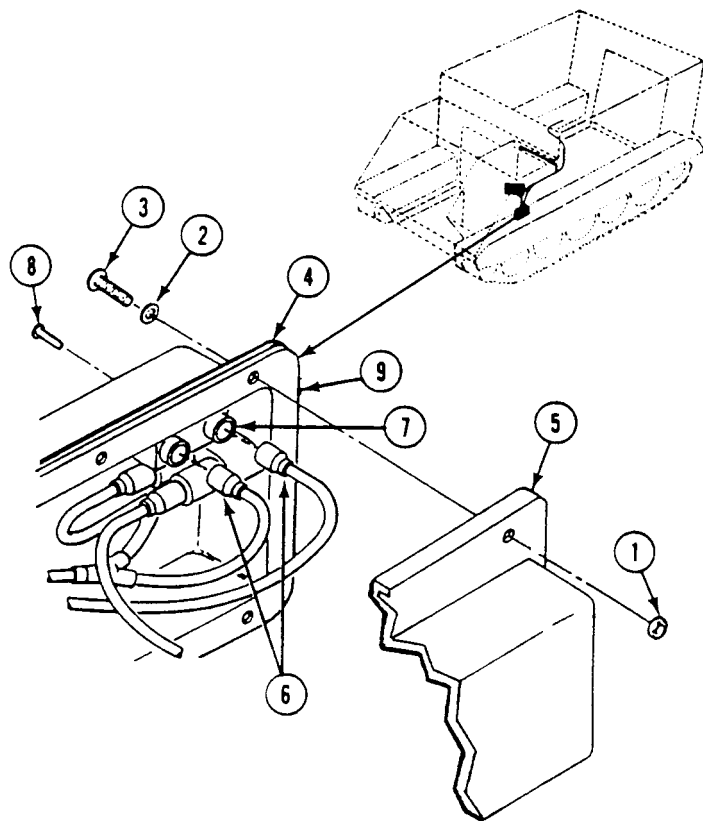
Battery ground lead disconnected (WP 0338 00)

REMOVAL

1. Remove eight locknuts (1), washers (2), screws (3), and master switch panel (4) from distribution box (5). Discard locknuts.

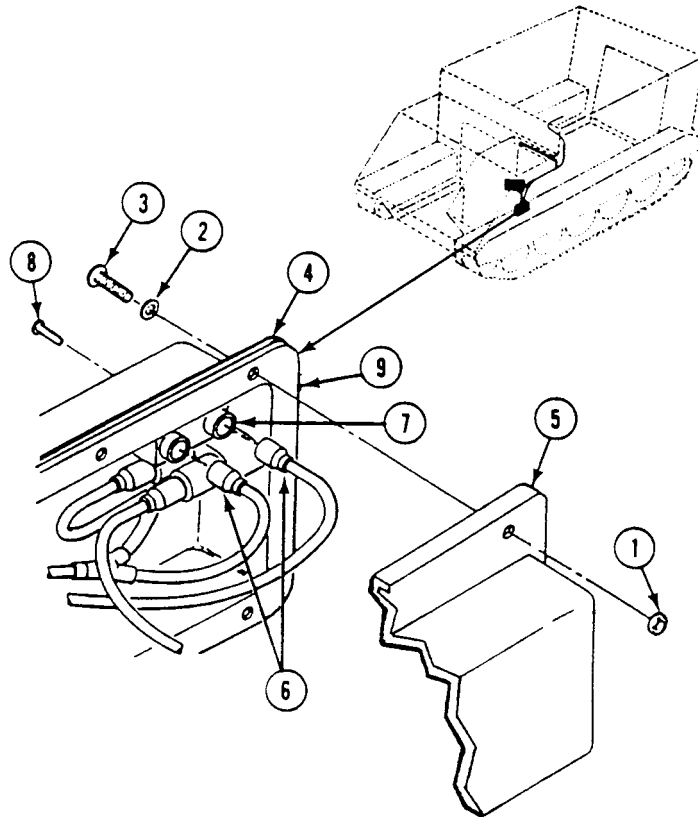
REPLACE BLOWER SWITCH (M577A3 AND M1068A3 ONLY) — Continued**0278 00**

2. Disconnect two circuit 59 leads (6) from blower switch (7).
3. Remove two screws (8) and blower switch (7) from master switch panel (4).
4. Inspect gasket (9). Replace if damaged.



INSTALLATION

1. Install blower switch (7) on master switch panel (4). Secure with two screws (8).
2. Connect two circuit 59 leads (6) to blower switch (7).
3. Install master switch panel (4) on distribution box (5). Secure with eight screws (3), washers (2), and new locknuts (1).

**FOLLOW-THROUGH STEPS**

1. Connect battery ground lead (WP 0338 00).
2. Turn MASTER SWITCH to ON (see your -10).
3. Turn blower switch ON. Blower should run (see your -10).
4. Turn all switches to OFF (see your -10).

END OF TASK

REPLACE INSTRUMENT PANEL ASSEMBLY (OLD CONFIGURATION)

0279 00

THIS WORK PACKAGE COVERS:

Removal (page 0279 00-2).
 Installation (page 0279 00-5).

INITIAL SETUP:

Maintenance Level

Unit

Tools and Special Tools

Electrical Connector Pliers (WP 0926 00, Item 31)
 General Mechanic's Tool Kit (WP 0926 00, Item 65)

Personnel Required

Mechanic

References

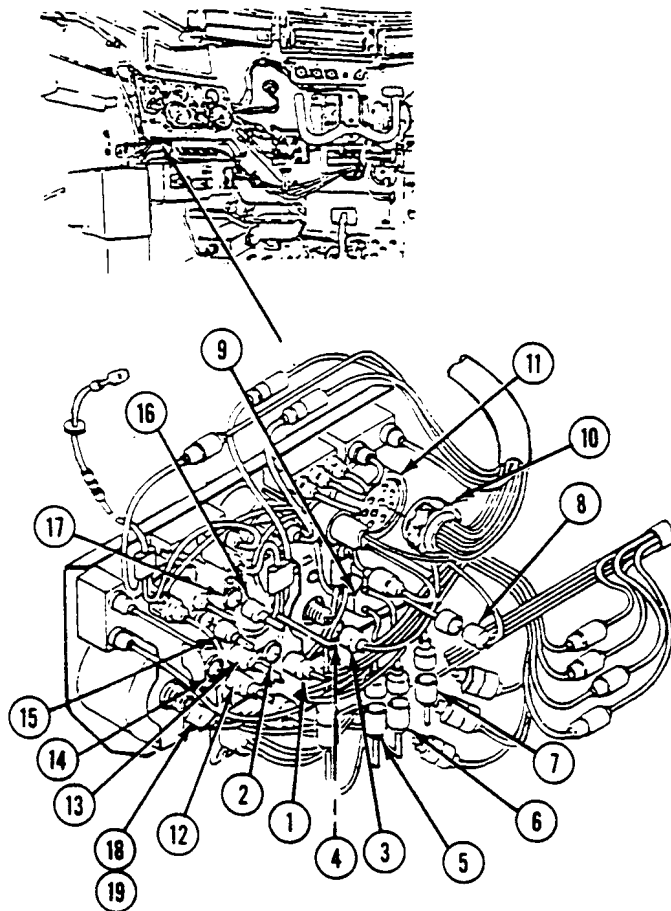
TM 9-2350-277-10

Equipment Condition

Engine stopped (TM 9-2350-277-10)
 Carrier blocked (TM 9-2350-277-10)
 Battery ground strap disconnected (WP 0337 00 or
 WP 0338 00)
 Tachometer and speedometer cables disconnected from
 instrument panel gauges (WP 0858 00)
 Instrument panel, mounts, and two ground leads
 removed from struts (WP 0295 00)

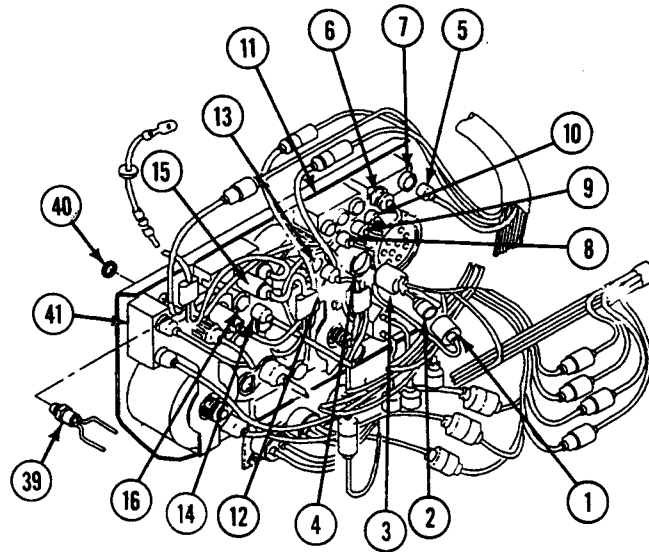
REMOVAL

1. Disconnect lead 451B (1) from rear bilge pump ON indicator (2).
2. Disconnect lead 452B (3) from front bilge pump ON indicator (4).
3. Disconnect lead 450B (5), lead 450 (6), lead 451A (7), and lead 452A (8) from bilge pump switch (9).
4. Disconnect front main harness connector (10) from main light switch (11).
5. Disconnect lead 33 (12) and special purpose harness lead 27B (13) from engine coolant temperature gauge (14).
6. Disconnect two circuit 40 leads (15) and (16) from lamp assembly (17).
7. Disconnect special purpose harness lead 459 (18) from master switch indicator (19).



REPLACE INSTRUMENT PANEL ASSEMBLY (OLD CONFIGURATION) — Continued**0279 00**

8. Disconnect lead 14B (1) from start switch lead 14 (2).
9. Disconnect lead 74 (3) and lead 14 (2) from start switch (4).
10. Disconnect front main harness 516A lead (5) and special purpose harness lead 516 (6) from DNV POWER switch (7).
11. Disconnect lead 514/515 (8), lead 520 (9), and lead 19 (10) from infrared blackout switch (11).
12. Disconnect battery/generator harness lead 27E (12) from battery/generator gauge (13).
13. Disconnect battery/generator harness lead 10 (14) and special purpose harness lead 27 (15) from circuit breaker (16).

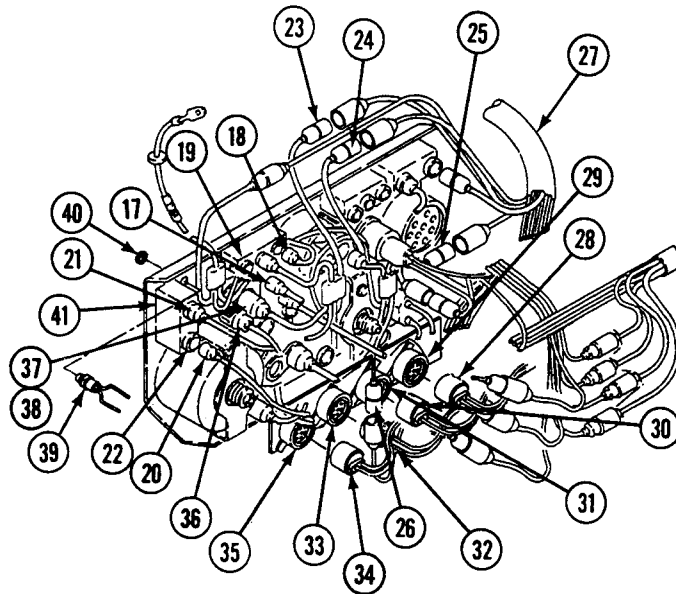


14. Disconnect lead 31 (17) and lead 30 (18) from fuel tank switch (19) (except on M577A3 and M1068A3 carriers).
15. Disconnect lead 406 (20) and special purpose harness lead 27C (21) from air box heater switch (22) or glow plug switch (39).

NOTE

Skip Step 16 if your carrier has air box heater system.

16. Remove knurled nut (40) and glow plug indicator (39).
17. Disconnect lead 25A (23), lead 27F (24), lead 27P (25), and lead 38 (26) from special purpose cable (27).
18. Disconnect lead 323/27R (28) from transmission oil clogged indicator (29).
19. Disconnect lead 367/27L (30) from transmission low oil pressure indicator (31).
20. Disconnect lead 370/27M (32) from parking brake indicator (33).
21. Disconnect lead 519/519A (34) from headlight HI beam indicator (35).
22. Disconnect special purpose harness lead 27A (36) and lead 28 (37) from fuel gauge (38).



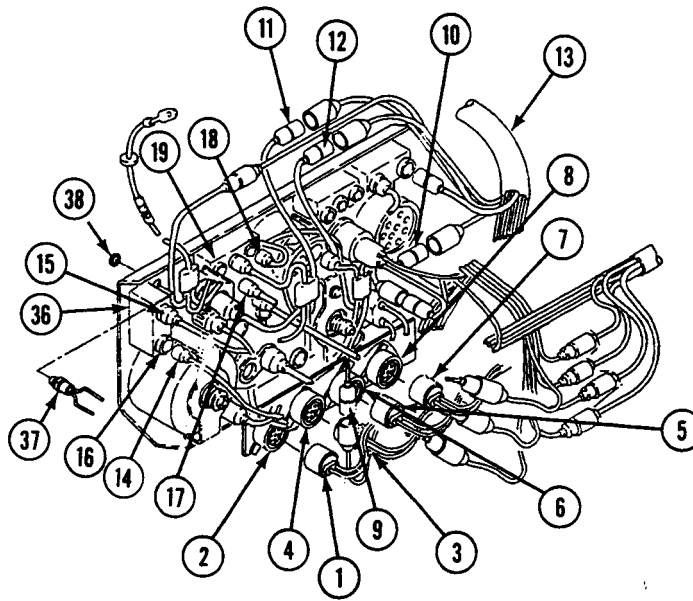
INSTALLATION

1. Connect lead 519/519A (1) to headlight HI beam indicator (2).
2. Connect lead 370/27M (3) to parking brake indicator (4).
3. Connect lead 367/27L (5) to transmission low oil pressure indicator (6).
4. Connect lead 323/27R (7) to transmission oil clogged indicator (8).
5. Connect lead 38 (9), lead 27P (10), lead 25A (11), and lead 27F (12) to special purpose cable (13).
6. Connect lead 406 (14) and special purpose harness lead 27C (15) to air box heater switch (16) or glow plug switch (36).

NOTE

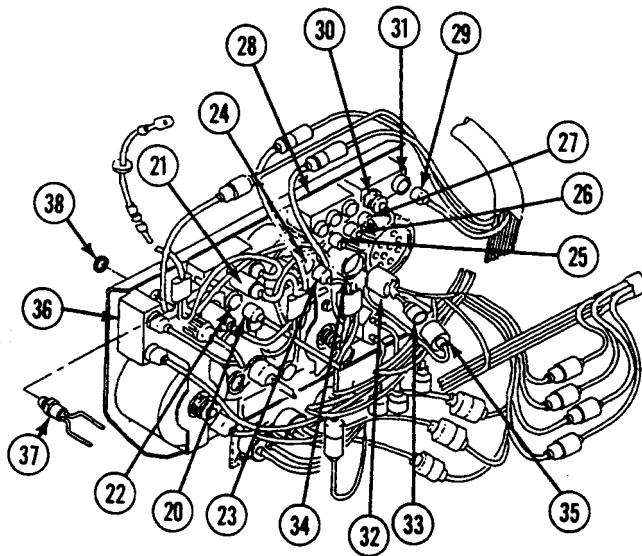
Skip Step 7 if your carrier has air box system.

7. Install glow plug indicator (37) and secure with knurled nut (38).
8. Connect lead 31 (17) and lead 30 (18) to fuel tank switch (19) (except on M577A3 and M1068A3 carriers).

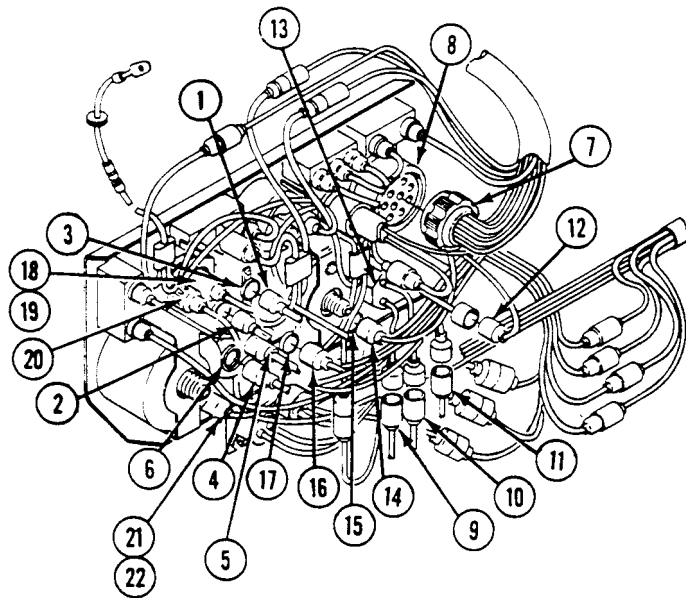


REPLACE INSTRUMENT PANEL ASSEMBLY (OLD CONFIGURATION) — Continued**0279 00**

9. Connect battery/generator harness lead 10 or lead 10A (M58 only) (20) and special purpose harness lead 27 (21) to circuit breaker (22).
10. Connect battery/generator harness lead 27E (23) to battery/generator gauge (24).
11. Connect lead 514 (25), lead 520 (26), and lead 19 (27) to infrared blackout switch (28).
12. Connect front main harness 516A (29) and special purpose harness lead 516 (30) to DNV POWER switch (31).
13. Connect lead 74 (32) and lead 14 (33) to start switch (34).
14. Connect lead 14B (35) to start switch lead 14 (33).



15. Connect two circuit 40 leads (1) and (2) to lamp assembly (3).
16. Connect lead 33 (4) and special purpose harness lead 27B (5) to engine coolant temperature gauge (6).
17. Connect front main harness connector (7) to main light switch (8).
18. Connect lead 450B (9), lead 450 (10), lead 451A (11), and lead 452A (12) to bilge pump switch (13).
19. Connect lead 452B (14) to bilge front pump ON indicator (15).
20. Connect lead 451B (16) to rear bilge pump ON indicator (17).
21. Connect special purpose harness lead 27A (18) and lead 28 (19) to fuel gauge (20).
22. Connect special purpose harness lead 459 (21) to master switch indicator (22).



FOLLOW-THROUGH STEPS

1. Install two ground leads, mounts, and instrument panel on struts (WP 0295 00).
2. Install tachometer and speedometer cables on instrument panel gauges (WP 0858 00).
3. Connect battery ground strap (WP 0337 00 or WP 0338 00).

END OF TASK

REPLACE INSTRUMENT PANEL ASSEMBLY (NEW CONFIGURATION)

0279 01

THIS WORK PACKAGE COVERS:

Removal (page 0279 01-1).
 Installation (page 0279 01-6).

INITIAL SETUP:

Maintenance Level

Unit

Tools and Special Tools

Electrical Connector Pliers (WP 0926 00, Item 31)
 General Mechanic's Tool Kit (WP 0926 00, Item 65)

Personnel Required

Mechanic

References

TM 9-2350-277-10

Equipment Condition

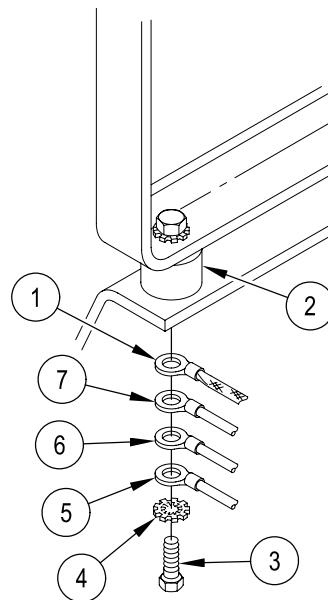
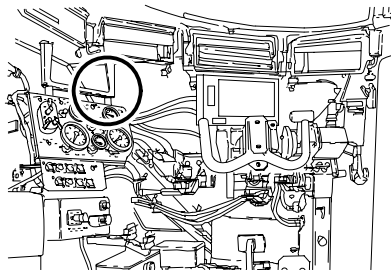
Engine stopped (TM 9-2350-277-10)
 Carrier blocked (TM 9-2350-277-10)
 Battery ground strap disconnected (WP 0337 00 or WP 0338 00)
 Tachometer and speedometer cables disconnected from instrument panel gauges (WP 0858 00)
 Instrument panel, mounts, and two ground leads removed from struts (WP 0295 01)

REMOVAL

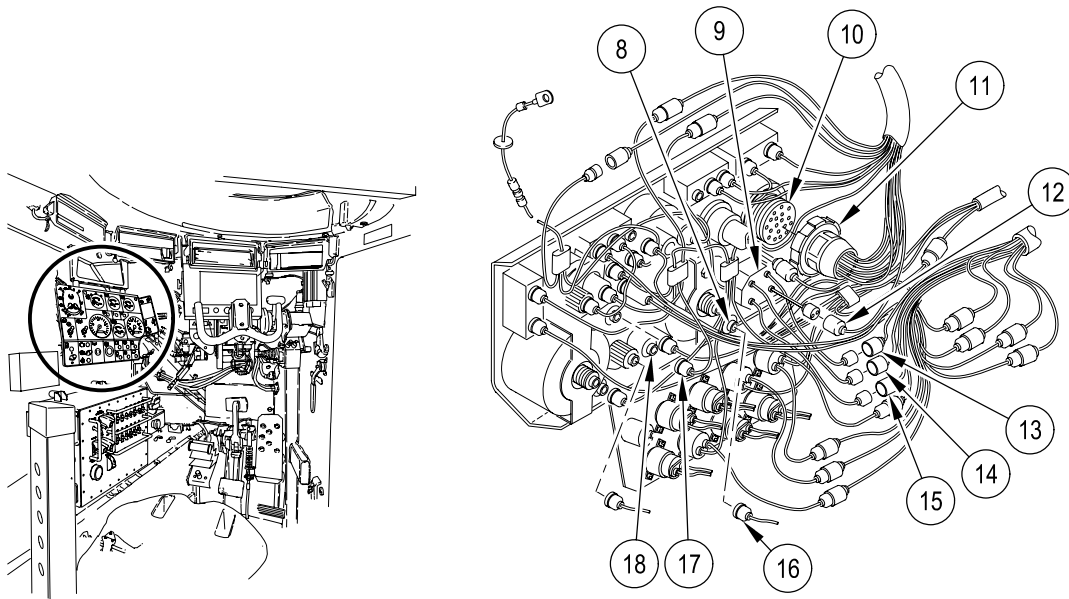
NOTE

Removal of grounds will vary by vehicle. Vehicles with glow plug engines will have four ground leads, while vehicles with air box heater engines will have three ground leads.

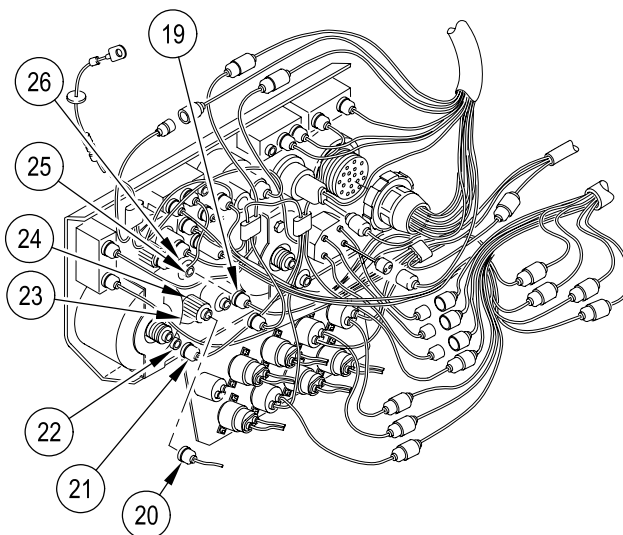
1. Remove screw (3) and lockwasher (4) securing instrument panel ground leads (8756715) (1), headlight HI beam circuit 519 (7), steering lock circuit 396A (6), and glow plug indicator light circuit 406B (5) from instrument panel shock mount (2).



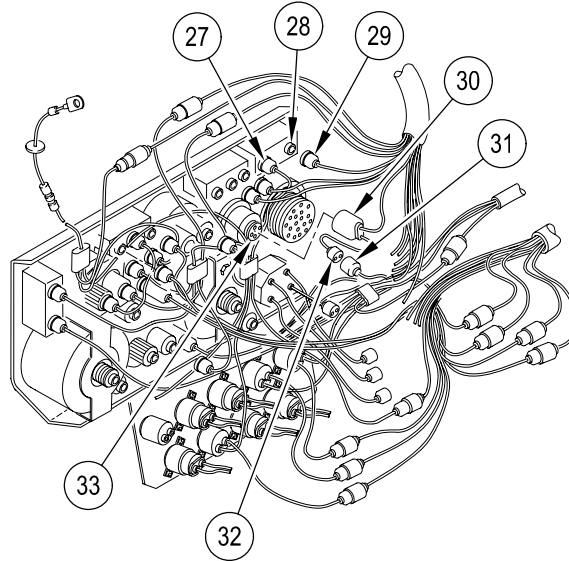
2. Disconnect lead 451B (17) from rear bilge pump ON indicator (18).
3. Disconnect lead 452B (16) from front bilge pump ON indicator (8).
4. Disconnect lead 450B (15), lead 450 (14), lead 451A (13), and lead 452A (12) from bilge pump switch (9).
5. Disconnect front main harness connector (11) from main light switch (10).



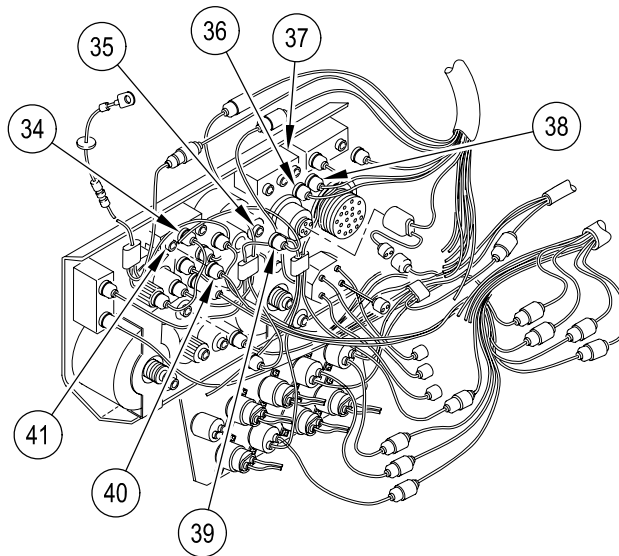
6. Disconnect lead 33 (20) and special purpose harness lead 27B (23) from engine coolant temperature gauge (24).
7. Disconnect two circuit 40 leads (19) and (25) from lamp assembly (26).
8. Disconnect special purpose harness lead 459 (21) from master switch indicator (22).



9. Disconnect lead 14B (31) from start switch lead 14 (32).
10. Disconnect lead 74 (30) and lead 14 (32) from start switch (33).
11. Disconnect front main harness 516B lead (29) and special purpose harness lead 516 (27) from DVE switch (28).



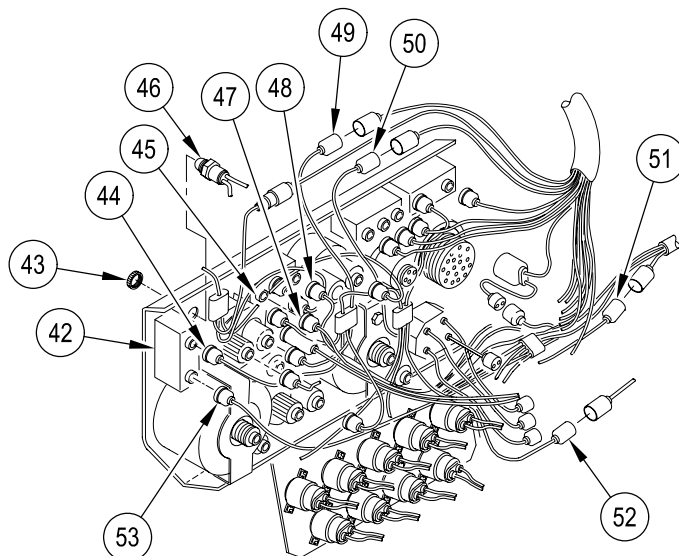
12. Disconnect lead 520 (36) and lead 19 (38) from blackout switch (37).
13. Disconnect battery/generator harness lead 27E (39) from battery/generator gauge (35).
14. Disconnect battery/generator harness lead 10 (40) and special purpose harness lead 27 (34) from circuit breaker (41).



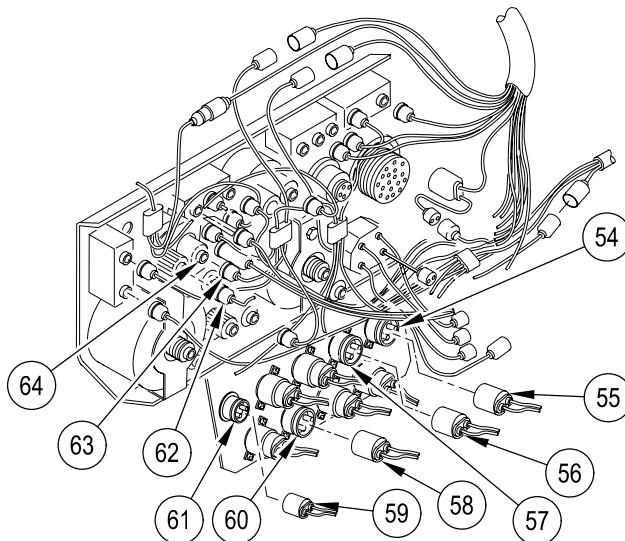
REPLACE INSTRUMENT PANEL ASSEMBLY (NEW CONFIGURATION) — Continued

0279 01

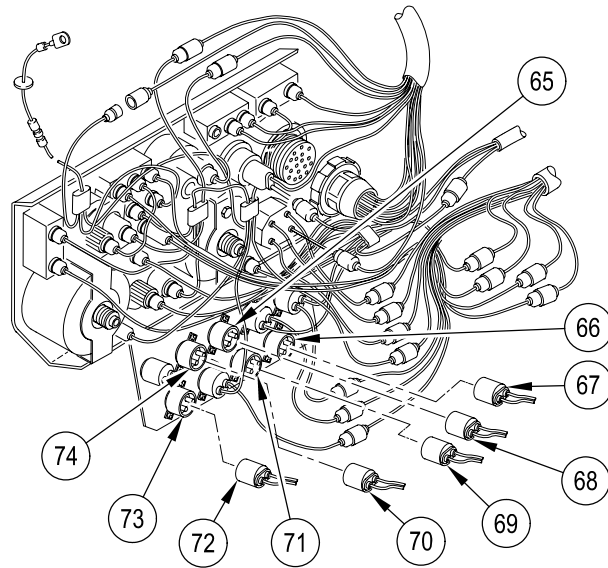
15. Disconnect lead 31 (48) and lead 30 (47) from fuel tank switch (45).
16. Disconnect lead 406 (53) and special purpose harness lead 27C (44) from glow plug switch (42).
17. Remove knurled nut (43) and glow plug indicator (46).
18. Disconnect lead 25A (50), lead 27F (49), lead 27P (52), and lead 38 (51) from special purpose cable.



19. Disconnect lead 323/27R (55) from transmission oil clogged indicator (54).
20. Disconnect lead 367/27L (56) from transmission low oil pressure indicator (57).
21. Disconnect lead 370/27M (58) from parking brake indicator (60).
22. Disconnect lead 25/25A (59) from horn switch (61).
23. Disconnect special purpose harness lead 27A (63) and lead 28 (62) from fuel gauge (64).

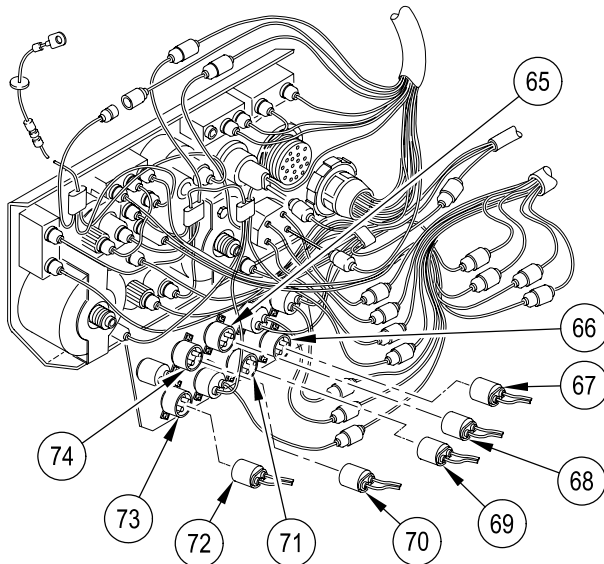


24. Disconnect lead 327/27G (68) from transmission HI temperature indicator (65).
25. Disconnect lead 369A/GND (72) from steering locked indicator (73).
26. Disconnect lead 27J/34 (69) from engine low oil pressure indicator (71).
27. Disconnect lead 352/27K (67) from engine low coolant level indicator (66).
28. Disconnect lead 519/519A (70) from headlight HI beam indicator (74).

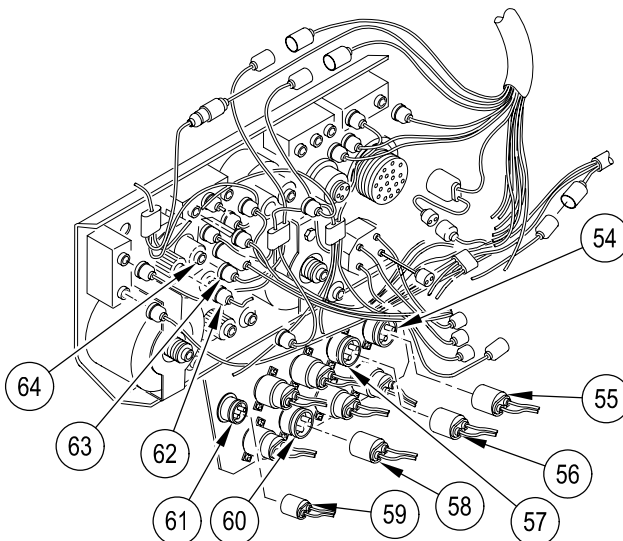


INSTALLATION

1. Connect lead 519/519A (70) to headlight HI beam indicator (74).
2. Connect lead 352/27K (67) to engine low coolant level indicator (66).
3. Connect lead 27J/34 (69) to engine low oil pressure indicator (71).
4. Connect lead 369A/GND (72) to steering locked indicator (73).
5. Connect lead 327/27G (68) to transmission HI temperature indicator (65).



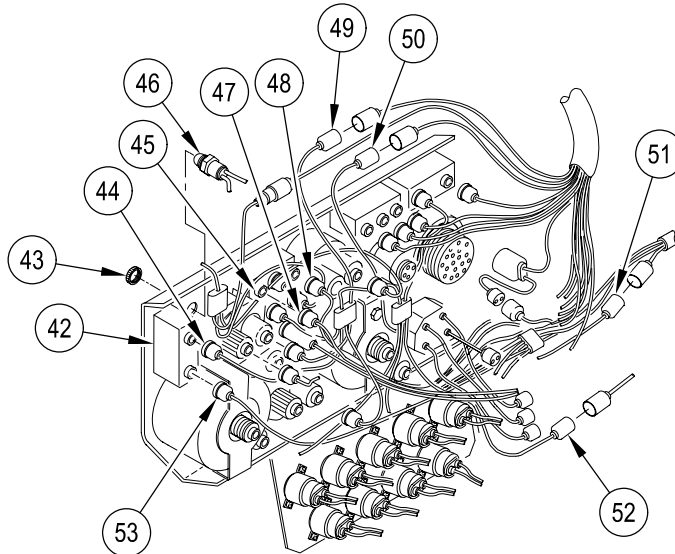
6. Connect special purpose harness lead 27A (63) and lead 28 (62) to fuel gauge (64).
7. Connect lead 25/25A (59) to horn switch (61).
8. Connect lead 370/27M (58) to parking brake indicator (60).
9. Connect lead 367/27L (56) to transmission low oil pressure indicator (57).
10. Connect lead 323/27R (55) to transmission oil clogged indicator (54).



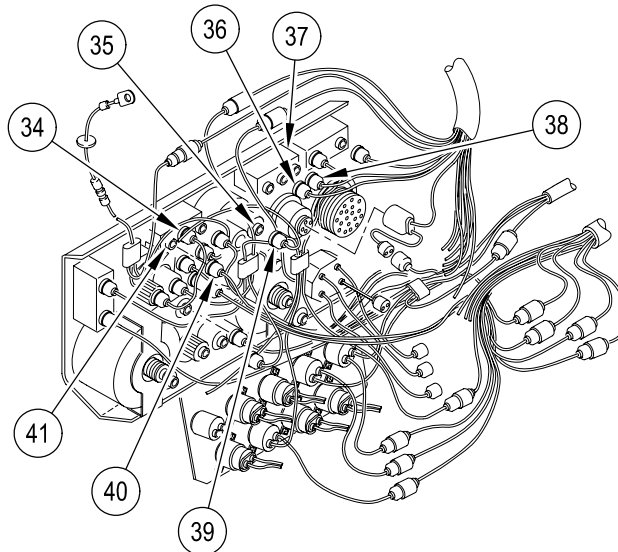
REPLACE INSTRUMENT PANEL ASSEMBLY (NEW CONFIGURATION) — Continued

0279 01

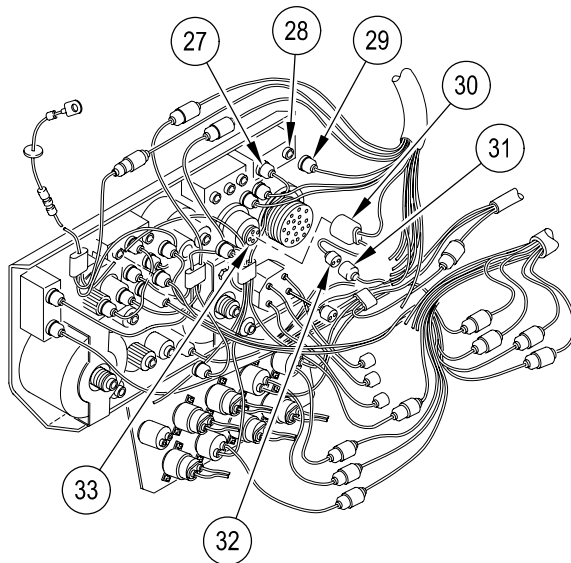
11. Connect lead 38 (51), lead 27P (52), lead 25A (50), and lead 27F (49) to special purpose cable.
12. Install glow plug indicator (46) and secure with knurled nut (43).
13. Connect lead 406 (53) and special purpose harness lead 27C (44) to glow plug switch (42).
14. Connect lead 31 (48) and lead 30 (47) to fuel tank switch (45).



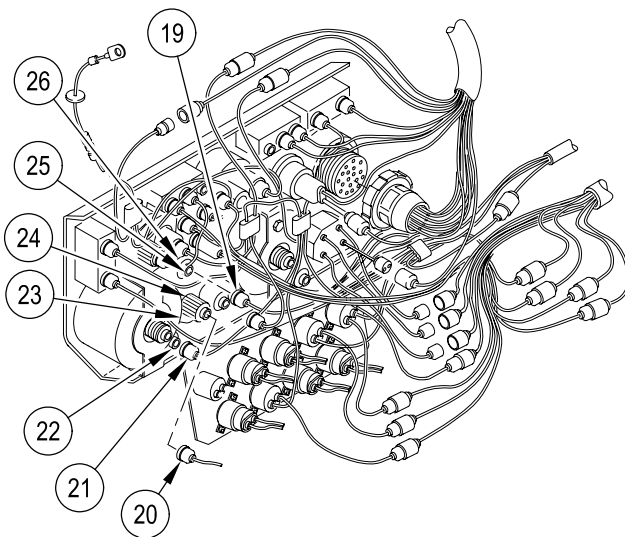
15. Connect battery/generator harness lead 10 (40) and special purpose harness lead 27 (34) to circuit breaker (41).
16. Connect battery/generator harness lead 27E (39) to battery/generator gauge (35).
17. Connect lead 520 (36) and lead 19 (38) to blackout switch (37).



18. Connect front main harness 516B (29) and special purpose harness lead 516 (27) to DVE switch (28).
19. Connect lead 74 (30) and lead 14 (32) to start switch (33).
20. Connect lead 14B (31) to start switch lead 14 (32).



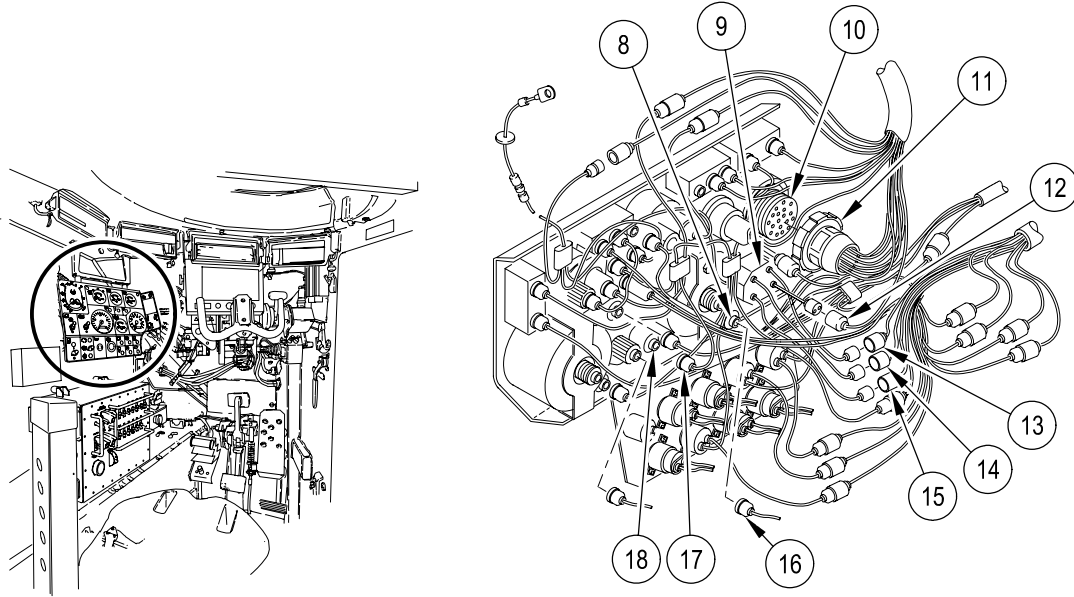
21. Connect special purpose harness lead 459 (21) to master switch indicator (22).
22. Connect two circuit 40 leads (19) and (25) to lamp assembly (26).
23. Connect lead 33 (20) and special purpose harness lead 27B (23) to engine coolant temperature gauge (24).



REPLACE INSTRUMENT PANEL ASSEMBLY (NEW CONFIGURATION) — Continued

0279 01

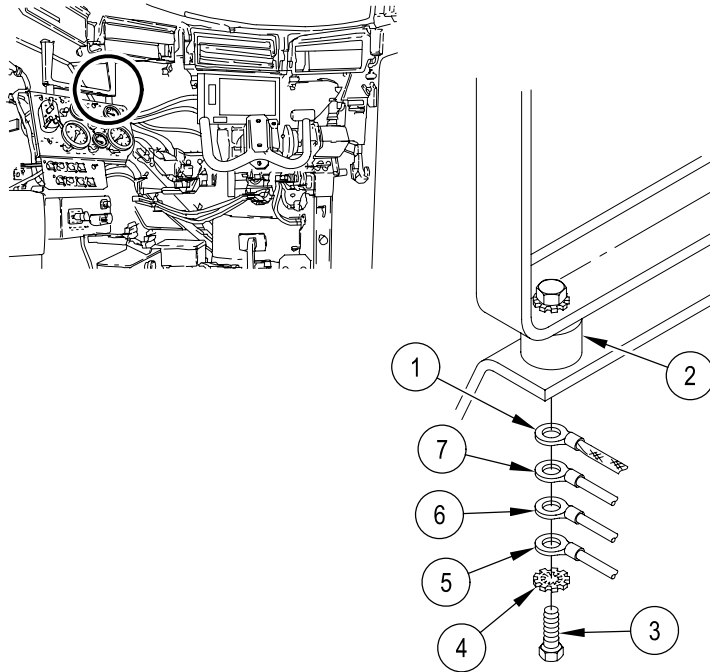
24. Connect front main harness connector (11) to main light switch (10).
25. Connect lead 450B (15), lead 450 (14), lead 451A (13), and lead 452A (12) to bilge pump switch (9).
26. Connect lead 452B (16) to bilge front pump ON indicator (8).
27. Connect lead 451B (17) to rear bilge pump ON indicator (18).



NOTE

Installation of grounds will vary by vehicle. Vehicles with glow plug engines will have four ground leads, while vehicles with air box heater engines will have three ground leads.

28. Install screw (3) and lockwasher (4) to secure instrument panel ground leads (8756715) (1), headlight HI beam circuit 519 (7), steering lock circuit 396A (6), and glow plug indicator light circuit 406B (5) to instrument panel shock mount (2).

**FOLLOW-THROUGH STEPS**

1. Install two ground leads, mounts, and instrument panel on struts (WP 0295 01).
2. Install tachometer and speedometer cables on instrument panel gauges (WP 0858 00).
3. Connect battery ground strap (WP 0337 00 or WP 0338 00).

END OF TASK

REPLACE CIRCUIT BREAKER

0280 00

THIS WORK PACKAGE COVERS:

Removal (page 0280 00-1).
 Installation (page 0280 00-2).

INITIAL SETUP:

Maintenance Level

Unit

References

See your -10

Tools and Special Tools

General Mechanic's Tool Kit (WP 0926 00, Item 65)

Equipment Condition

Engine stopped (see your -10)
 Carrier blocked (see your -10)
 Battery ground strap disconnected (WP 0337 00),
 (WP 0338 00), or (WP 0339 00)
 Instrument panel removed (WP 0295 00)

Materials/Parts

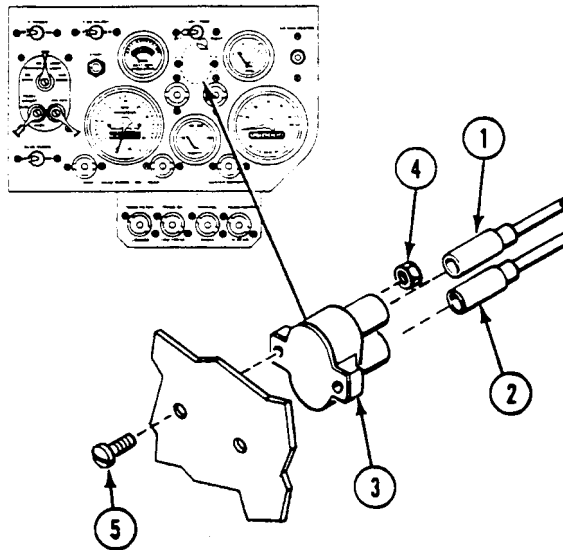
Locknut (2)

Personnel Required

Unit Mechanic

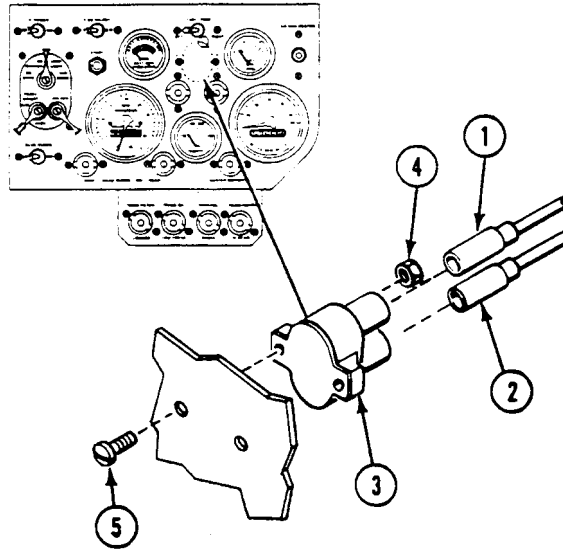
REMOVAL

1. Disconnect circuit 10 lead (1) and circuit 27 lead (2) from circuit breaker (3).
2. Remove two locknuts (4), screws (5), and circuit breaker (3) from rear of instrument panel. Discard locknuts.



INSTALLATION

1. Place circuit breaker (3) on rear of instrument panel. Secure with two screws (5) and new locknuts (4).
2. Connect circuit 27 lead (2) and circuit 10 lead (1) to circuit breaker (3).

**FOLLOW-THROUGH STEPS**

1. Install instrument panel (WP 0295 00).
2. Connect battery ground strap (WP 0337 00), (WP 0338 00), or (WP 0339 00).
3. Turn MASTER SWITCH to ON (see your -10). MASTER SWITCH ON light should come on (see your -10).
4. Turn MASTER SWITCH to OFF (see your -10).

END OF TASK

REPLACE FUEL SELECT SWITCH TO GAUGE LEAD (ALL EXCEPT M577A3 AND M1068A3)

0281 00

THIS WORK PACKAGE COVERS:

- Removal (page 0281 00-1).
- Inspection and Repair (page 0281 00-2).
- Installation (page 0281 00-2).

INITIAL SETUP:

Maintenance Level

Unit

References

See your -10

Tools and Special Tools

- General Mechanic's Tool Kit (WP 0926 00, Item 65)
- Multimeter (WP 0926 00, Item 30)

Equipment Condition

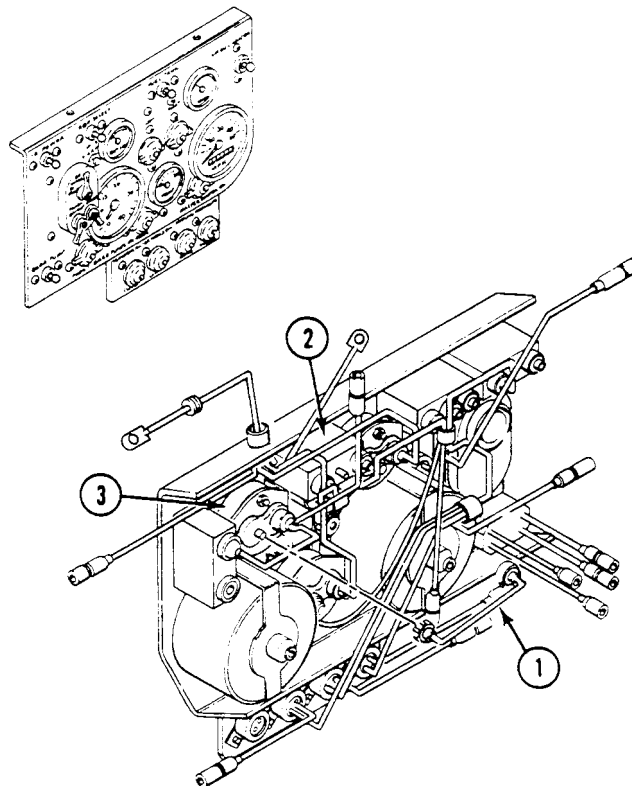
- Engine stopped (see your -10)
- Carrier blocked (see your -10)
- Battery ground strap disconnected (WP 0337 00), or (WP 0339 00)
- Instrument panel removed (WP 0279 00)

Personnel Required

Unit Mechanic

REMOVAL

1. Disconnect circuit 28 lead (1) from fuel select switch (2).
2. Disconnect circuit 28 lead (1) from fuel gauge (3). Remove lead.



REPLACE FUEL SELECT SWITCH TO GAUGE LEAD (ALL EXCEPT M577A3 AND M1068A3) — Continued

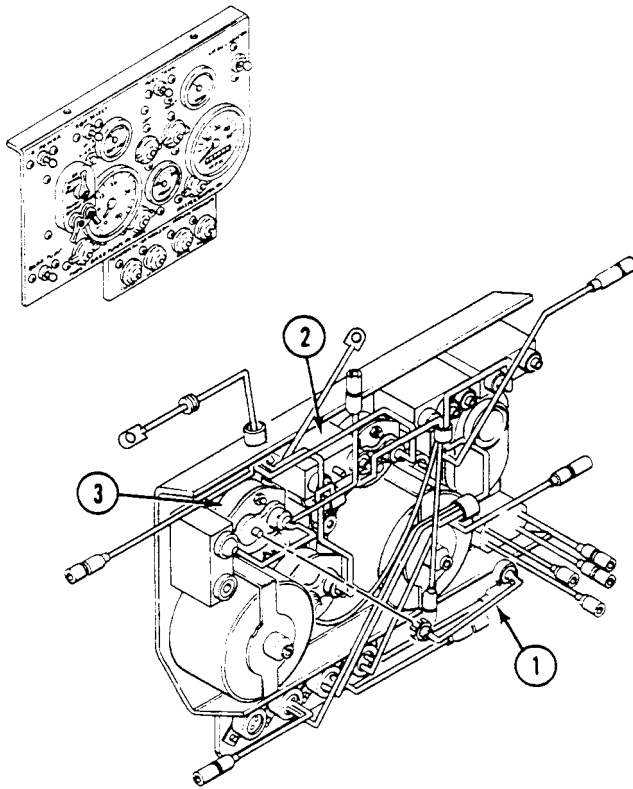
0281 00

INSPECTION-ACCEPTANCE AND REJECTION CRITERIA

1. Check lead for continuity. Check for frayed lead and damaged connectors. Repair as required (WP 0382 00)

INSTALLATION

1. Connect circuit 28 lead (1) to fuel gauge (3).
2. Connect circuit 28 lead (1) to fuel select switch (2).

**FOLLOW-THROUGH STEPS**

1. Install instrument panel (WP 0279 00).
2. Connect battery ground lead (WP 0337 00), (WP 0338 00), or (WP 0339 00).
3. Turn MASTER SWITCH ON (see your -10).
4. Check fuel gauge for movement to ensure proper installation of lead (see your -10).
5. Turn MASTER SWITCH OFF (see your -10).

END OF TASK

REPLACE INSTRUMENT PANEL ON-OFF SWITCHES

0282 00

THIS WORK PACKAGE COVERS:

Removal (page 0282 00-1).
 Installation (page 0282 00-3).

INITIAL SETUP:

Maintenance Level

Unit

References

TM 9-2350-277-10

Tools and Special Tools

General Mechanic's Tool Kit (WP 0926 00, Item 65)

Equipment Condition

Engine stopped (TM 9-2350-277-10)

Carrier blocked (TM 9-2350-277-10)

Battery ground strap disconnected (WP 0337 00 or
 WP 0338 00)

Materials/Parts

Lockwasher (10)

Personnel Required

Mechanic

REMOVAL

NOTE

There are four or five toggle switches on the instrument panel. Replace all toggle switches the same way, except for number of circuit leads, and guard on DNV-POWER switch (old configuration) or DVE-POWER switch (new configuration).

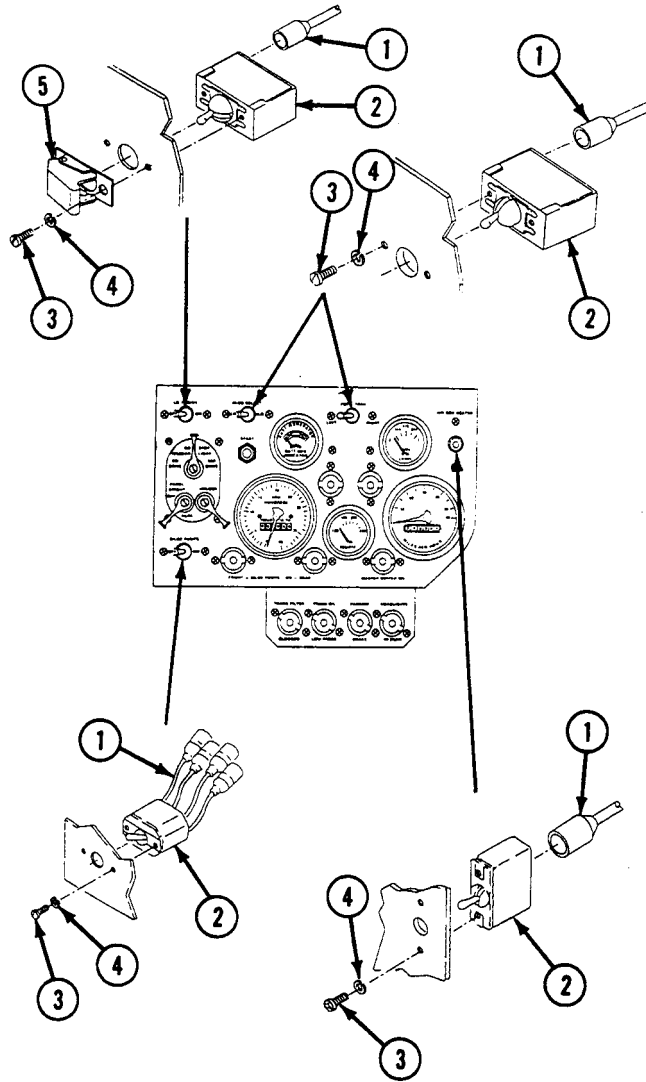
NOTE

Do not disconnect more than one switch at a time. Mark each circuit lead to make sure you reconnect to correct contacts. See applicable wiring diagram at end of this manual.

REPLACE INSTRUMENT PANEL ON-OFF SWITCHES — Continued

0282 00

1. Disconnect circuit leads (1) from rear of switch (2).
2. Remove two screws (3), lockwashers (4), toggle switch (2), and guard (5) DNV-POWER switch (old configuration) or DVE-POWER switch (new configuration) from instrument panel. Discard lockwashers.



(OLD CONFIGURATION)

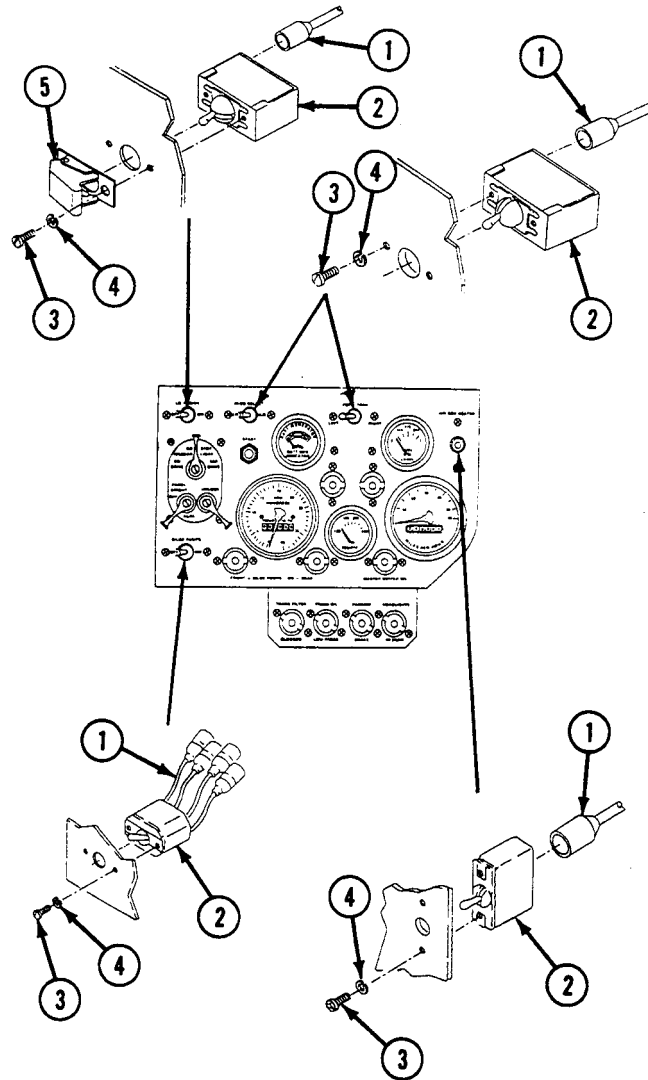
INSTALLATION

1. Place toggle switch (2) on rear of instrument panel. Secure with guard (5) DNV-POWER switch (old configuration) or DVE-POWER switch (new configuration), two new lockwashers (4), and screws (3).

NOTE

Make sure circuit leads are connected to correct switches. See Table of Contents for applicable wiring diagram.

2. Connect circuit leads (1) to rear of toggle switch (2).



(OLD CONFIGURATION)

FOLLOW-THROUGH STEPS

1. Connect battery ground strap (WP 0337 00 or WP 0338 00).
2. Turn MASTER SWITCH to ON. See TM 9-2350-277-10.
3. Actuate switch and check for proper operation of applicable item. See TM 9-2350-277-10.
4. Turn MASTER SWITCH to OFF. See TM 9-2350-277-10.

END OF TASK

REPLACE MAIN LIGHT SWITCH

0283 00

THIS WORK PACKAGE COVERS:

Removal (page 0283 00-1).
 Installation (page 0283 00-2).

INITIAL SETUP:

Maintenance Level

Unit

References

See your -10

Tools and Special Tools

General Mechanic's Tool Kit (WP 0926 00, Item 65)

Equipment Condition

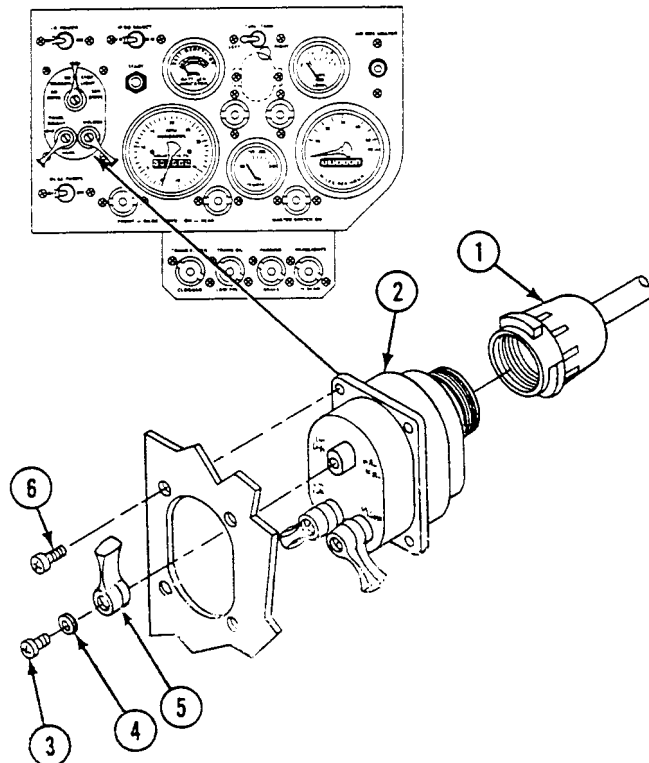
Engine stopped (see your -10)
 Carrier blocked (see your -10)
 Battery ground strap disconnected (WP 0337 00),
 (WP 0338 00), or (WP 0339 00)
 Instrument panel removed (WP 0295 00)

Personnel Required

Unit Mechanic

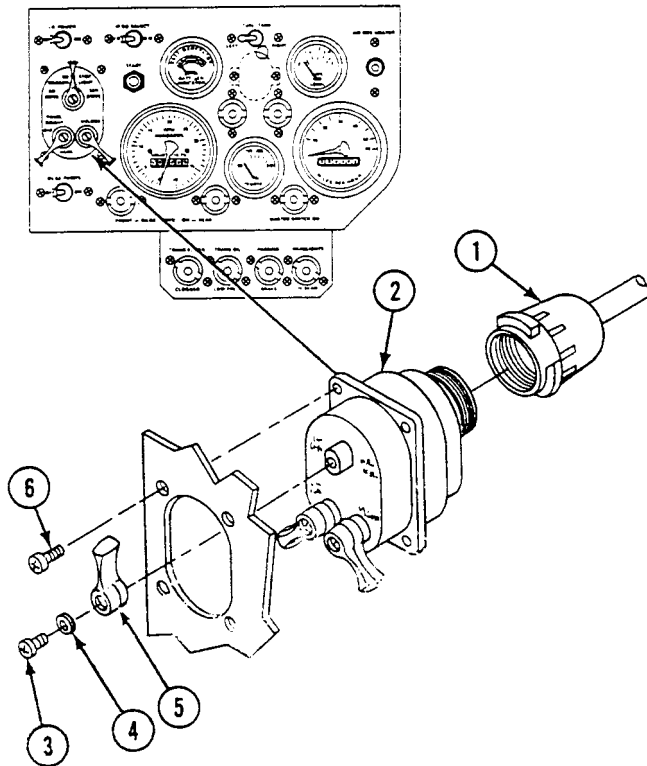
REMOVAL

1. Disconnect cable (1) from main light switch (2).
2. Remove screw (3), washer (4), and switch lever (5) from light switch (2).
3. Remove four screws (6) and light switch (2) from instrument panel.



INSTALLATION

1. Place main light switch (2) in rear of instrument panel. Secure with four screws (6).
2. Place switch lever (5) on light switch (2). Secure with washer (4) and screw (3).
3. Connect cable (1) to rear of light switch (2).

**FOLLOW-THROUGH STEPS**

1. Install instrument panel (WP 0295 00).
2. Connect battery ground strap (WP 0337 00), (WP 0338 00), or (WP 0339 00).
3. Turn MASTER SWITCH to ON (see your -10).
4. Check for proper operation of switch (see your -10).
5. Turn MASTER SWITCH to OFF (see your -10).

END OF TASK

REPLACE ENGINE START SWITCH

0284 00

THIS WORK PACKAGE COVERS:

Removal (page 0284 00-1).
 Installation (page 0284 00-2).

INITIAL SETUP:

Maintenance Level

Unit

References

See your -10

Tools and Special Tools

General Mechanic's Tool Kit (WP 0926 00, Item 65)

Equipment Condition

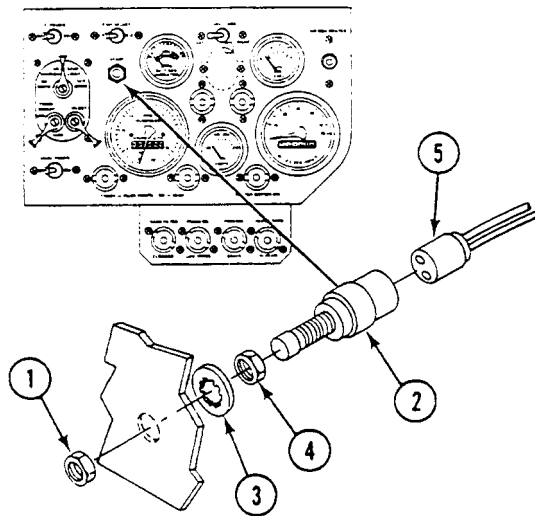
Engine stopped (see your -10)
 Carrier blocked (see your -10)
 Battery ground strap disconnected (WP 0337 00),
 (WP 0338 00), or (WP 0339 00)

Personnel Required

Unit Mechanic

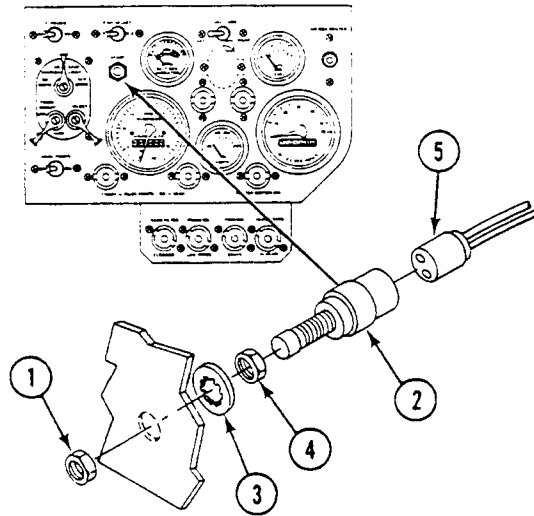
REMOVAL

1. Remove nut (1) and start switch (2) from instrument panel.
2. Remove lock washer (3) and nut (4) from start switch (2).
3. Disconnect circuit 14/74 connector (5) from rear of start switch (2).



INSTALLATION

1. Connect circuit 14/74 connector (5) to rear of start switch (2).
2. Install nut (4) and lock washer (3) on start switch (2).
3. Install start switch (2) through rear of instrument panel. Secure with two nuts (1) and (4).

**FOLLOW-THROUGH STEPS**

1. Connect battery ground strap (WP 0337 00), (WP 0338 00), or (WP 0339 00).
2. Turn MASTER SWITCH to ON (see your -10).
3. Crank engine to check for proper installation of starter switch (see your -10).
4. Turn MASTER SWITCH to OFF (see your -10).

END OF TASK

REPLACE INSTRUMENT PANEL GAUGES

0285 00

THIS WORK PACKAGE COVERS:

Removal (page 0285 00-1).
 Installation (page 0285 00-2).

INITIAL SETUP:

Maintenance Level

Unit

References

See your -10

Tools and Special Tools

General Mechanic's Tool Kit (WP 0926 00, Item 65)

Equipment Condition

Engine stopped (see your -10)
 Carrier blocked (see your -10)
 Battery ground strap disconnected (WP 0337 00),
 (WP 0338 00), or (WP 0339 00)

Personnel Required

Unit Mechanic

REMOVAL

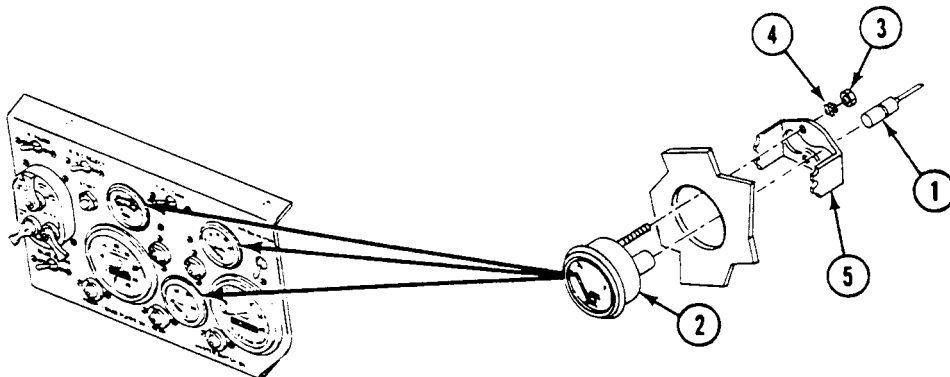
NOTE

There are three gauges on the instrument panel. Except for the number of leads, all gauges are replaced the same way.

NOTE

Do not disconnect more than one gauge at a time. Mark each lead to make sure you reconnect to correct contacts. See wiring diagrams at the end of this manual.

1. Disconnect circuit leads (1) from rear of gauge (2).
2. Remove two nuts (3), lockwashers (4), and bracket (5) from rear of gauge (2).
3. Remove gauge (2) from front of instrument panel.



INSTALLATION

1. Install gauge (2) in front of instrument panel.

NOTE

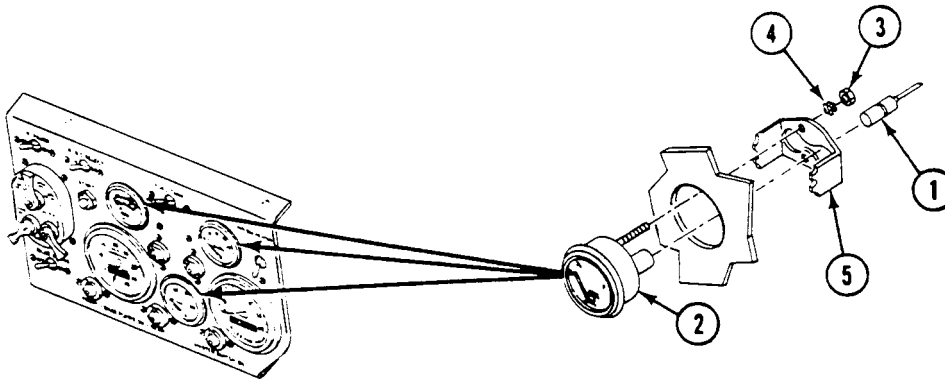
Check front of instrument panel to make sure gauge is aligned right before tightening nuts.

2. Install bracket (5) on rear of gauge, and secure with two lockwashers (4) and nuts (3).

CAUTION

Make sure circuit leads are connected to correct gauges. See wiring diagrams at the end of this manual.

3. Connect circuit leads (1) to rear of gauge (2).

**FOLLOW-THROUGH STEPS**

1. Connect battery ground strap (WP 0337 00), (WP 0338 00), or (WP 0339 00).
2. Turn MASTER SWITCH to ON (see your -10).
3. Check fuel gauge and battery generator gauge for proper operation (see your -10).
4. Start engine to check operation of coolant temperature gage (see your -10).
5. Stop engine (see your -10).

END OF TASK

REPLACE PANEL LIGHTS AND INDICATOR LIGHTS

0286 00

THIS WORK PACKAGE COVERS:

Removal (page 0286 00-1).
 Installation (page 0286 00-3).

INITIAL SETUP:

Maintenance Level

Unit

References

See your -10

Tools and Special Tools

General Mechanic's Tool Kit (WP 0926 00, Item 65)

Equipment Condition

Engine stopped (see your -10)
 Carrier blocked (see your -10)
 Battery ground strap disconnected (WP 0337 00),
 (WP 0338 00), or (WP 0339 00)

Materials/Parts

Light bulb (as needed)
 Lockwasher (2)

Personnel Required

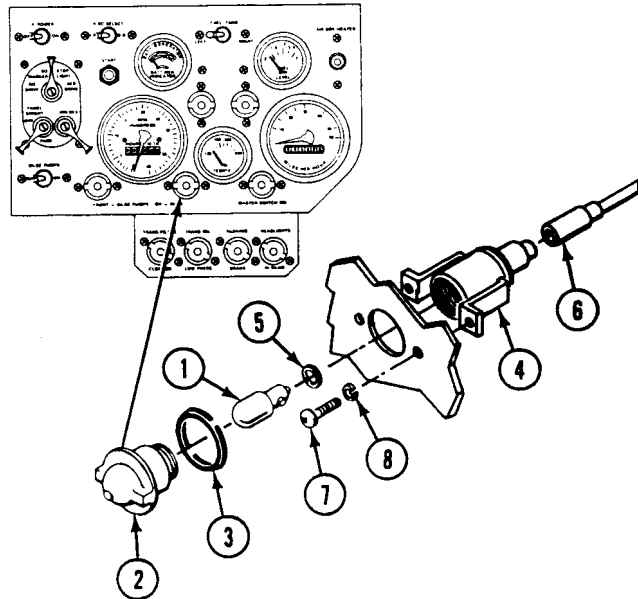
Unit Mechanic

REMOVAL

NOTE

There are two panel lights and three indicator lights on the instrument panel. Except for the number of leads, all lights are replaced the same way.

1. Remove light bulb (1).

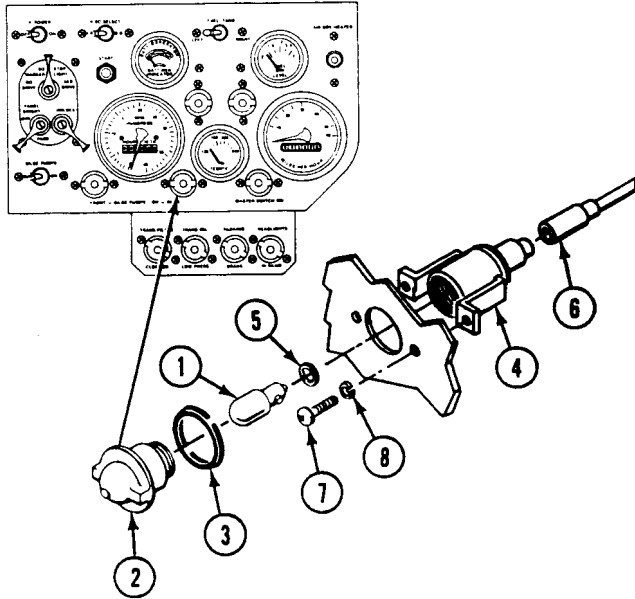


- a. Turn lens (2) to the left. Remove lens and gasket (3) from light assembly (4).
- b. Push in and turn light bulb (1) to the left, and remove bulb and gasket (5) from light assembly (4).

NOTE

Do not disconnect more than one light at a time. Mark each lead to make sure you reconnect to correct contacts. See wiring diagrams at the end of this manual.

2. If required, remove light assembly (4).



- a. Disconnect circuit lead (6) from light assembly (4).
- b. Remove two screws (7), lockwashers (8), and light assembly (4) from instrument panel. Discard lockwashers.

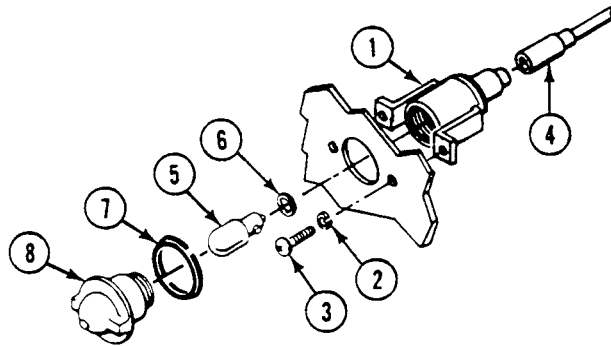
INSTALLATION

1. If removed, install light assembly (1).
 - a. Place light assembly (1) on rear of instrument panel. Secure with two new lockwashers (2) and screws (3).

CAUTION

Make sure circuit leads are connected to correct lights. See wiring diagrams at the end of this manual.

- b. Connect circuit lead (4) to light assembly (1).
2. Install light bulb (5).



- a. Install gasket (6) and light bulb (5) in light assembly (1). Push and turn light bulb to the right to secure.
 - b. Install gasket (7) and lens (8) in light assembly (1). Turn lens to the right to secure.

FOLLOW-THROUGH STEPS

1. Connect battery ground strap (WP 0337 00), (WP 0338 00), or (WP 0339 00).
2. Turn MASTER SWITCH to ON (see your -10).
3. Turn PANEL lights switch to ON, or BILGE PUMPS switch to ON, as needed, to check for proper installation of light assembly (see your -10).
4. Turn MASTER SWITCH OFF (see your -10).

END OF TASK

REPLACE INSTRUMENT PANEL WARNING LIGHTS

0287 00

THIS WORK PACKAGE COVERS:

- Removal (page 0287 00-2).
 - Inspection (page 0287 00-3).
 - Installation (page 0287 00-4).
-

INITIAL SETUP:

Maintenance Level

Unit

References

See your -10

Tools and Special Tools

General Mechanic's Tool Kit (WP 0926 00, Item 65)

Equipment Condition

Engine stopped (see your -10)

Carrier blocked (see your -10)

Materials/Parts

Light bulb (as needed)

Lockwasher (2)

Battery ground strap disconnected (WP 0337 00),
(WP 0338 00), or (WP 0339 00)

Personnel Required

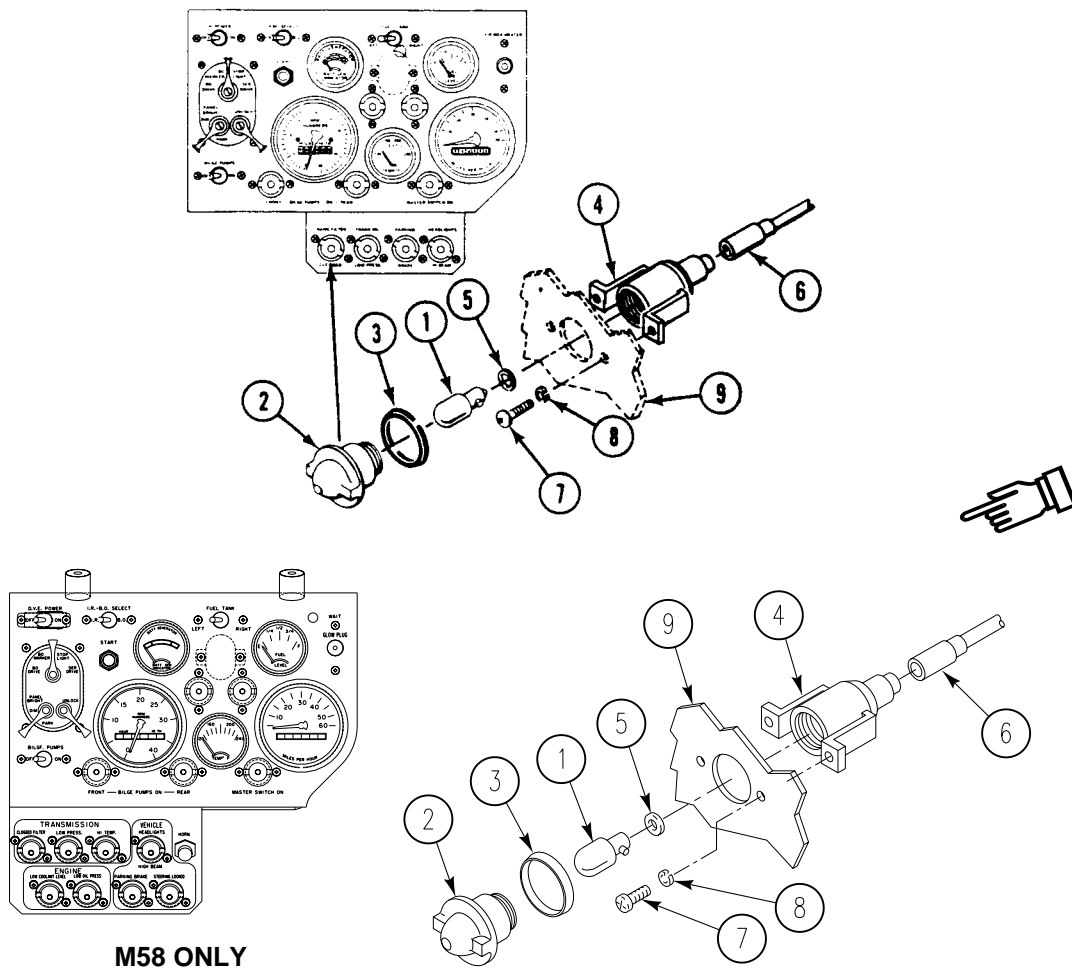
Unit Mechanic

REMOVAL

NOTE

All lights are replaced the same way.

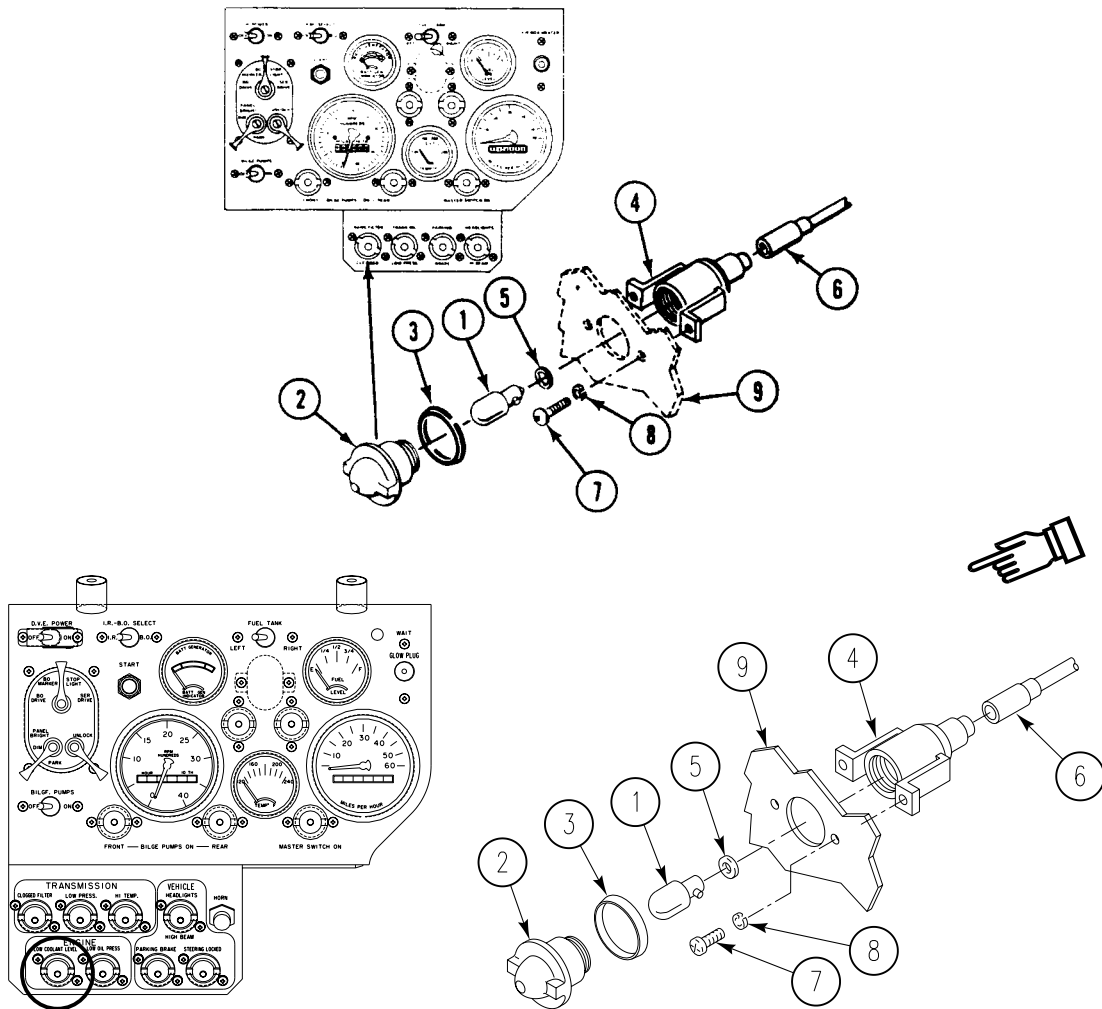
1. Remove light bulb (1).
 - a. Turn lens (2) to the left. Remove lens and gasket (3) from light assembly (4).
 - b. Push in and turn light bulb (1) to the left, and remove bulb and gasket (5) from light assembly (4).



NOTE

Do not disconnect more than one light at a time. Mark each lead to make sure you reconnect to correct contacts. See wiring diagrams at the end of (Vol. 6).

2. If required, remove light assembly (4).
 - a. Disconnect circuit lead (6) from light assembly (4).
 - b. Remove two screws (7), lockwashers (8), and light assembly (4) from warning lights panel (9). Discard lockwashers.



M58 ONLY

INSPECTION-ACCEPTANCE AND REJECTION CRITERIA

1. Check light bulb. See troubleshooting (WP 0006 00). Replace bad light bulb.
2. Check light assembly. See troubleshooting (WP 0006 00). Replace bad light assembly.

INSTALLATION

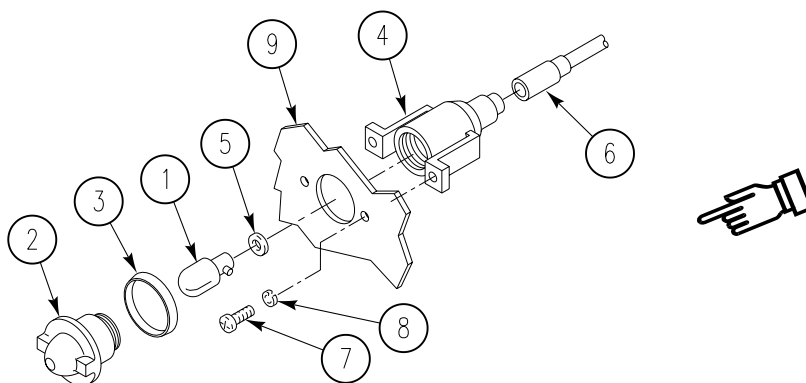
NOTE

Make sure circuit leads are connected to correct lights. See wiring diagrams at the end (Vol. 6).

1. If removed, install light assembly (4).
 - a. Place light assembly (4) on rear of warning lights panel (9). Secure with two new lockwashers (8) and screws (7).
 - b. Connect circuit lead (6) to light assembly (4).

Install light bulb (1).

- a. Install gasket (5) and light bulb (1) in light assembly (4). Push and turn light bulb to the right to secure.
- b. Install gasket (3) and lens (2) in light assembly (4). Turn lens to the right to secure.



FOLLOW-THROUGH STEPS

1. Connect battery ground strap (WP 0337 00), (WP 0338 00), or (WP 0339 00).
2. Turn MASTER SWITCH to ON (see your -10).
3. Check instrument panel warning lights as follows (see your -10):
 - a. TRANS FILTER CLOGGED light should be off.
 - b. Ground circuit 323 lead at back of panel. TRANS FILTER CLOGGED light should be on. Remove ground.
 - c. TRANS OIL LOW PRESS light should be on.
 - d. PARKING BRAKE light should be on when parking brake is on.
 - e. Turn on headlights and depress high beam selector switch (see your -10). HEADLIGHTS HI BEAM light should be on when headlights are on high beam. Turn off headlights.
 - f. ENGINE COOLANT LOW LEVEL light should be off. It will come on when you ground circuit 352 lead.
 - g. TRANS OIL HI TEMP indicator should be off. It will come on when you ground circuit lead 327.
 - h. ENGINE OIL LOW PRESS indicator should be on.
 - i. STEERING LOCKED indicator should be on when transmission controller is in SL.
4. Turn MASTER SWITCH to OFF (see your -10).

END OF TASK

REPLACE INSTRUMENT WARNING LIGHT PANEL

0288 00

THIS WORK PACKAGE COVERS:

- Removal (page 0288 00-1).
- Installation (page 0288 00-2)

INITIAL SETUP:

Maintenance Level

Unit

References

TM 9-2350-277-10

Tools and Special Tools

General Mechanic's Tool Kit (WP 0926 00, Item 65)

Equipment Condition

Engine stopped (TM 9-2350-277-10)

Carrier blocked (TM 9-2350-277-10)

Materials/Parts

Locknut (2)

Instrument panel warning lights removed (WP 0287 00)

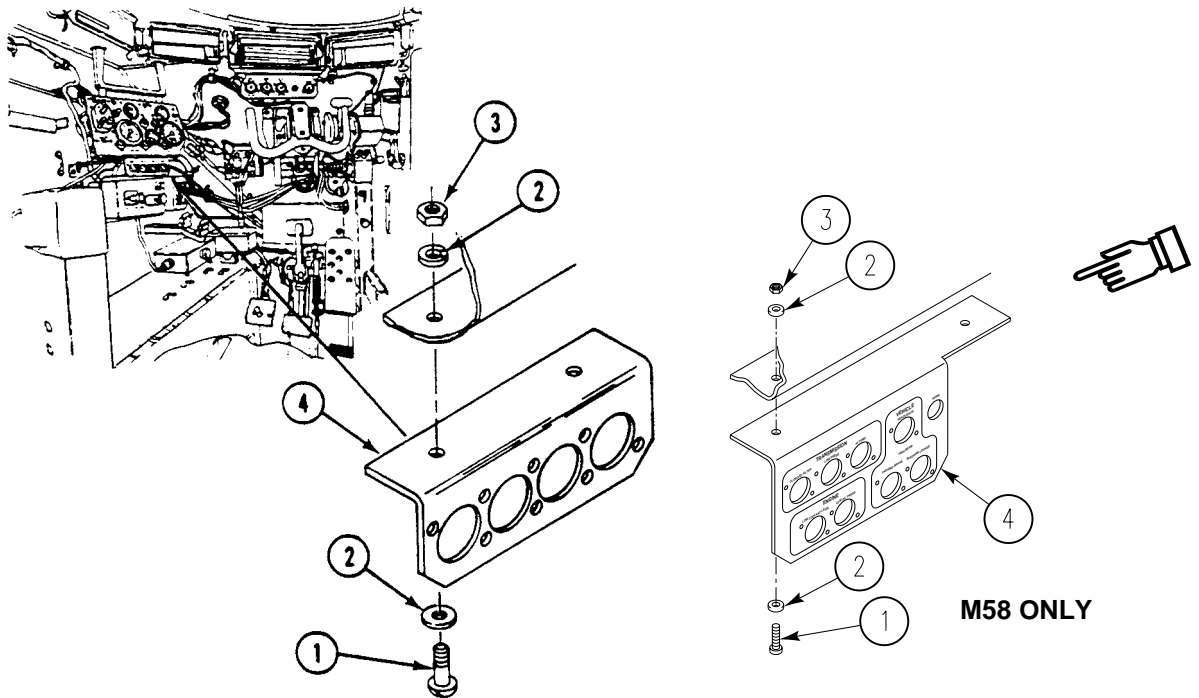
Personnel Required

Unit Mechanic

Replace horn switch (M58 only)

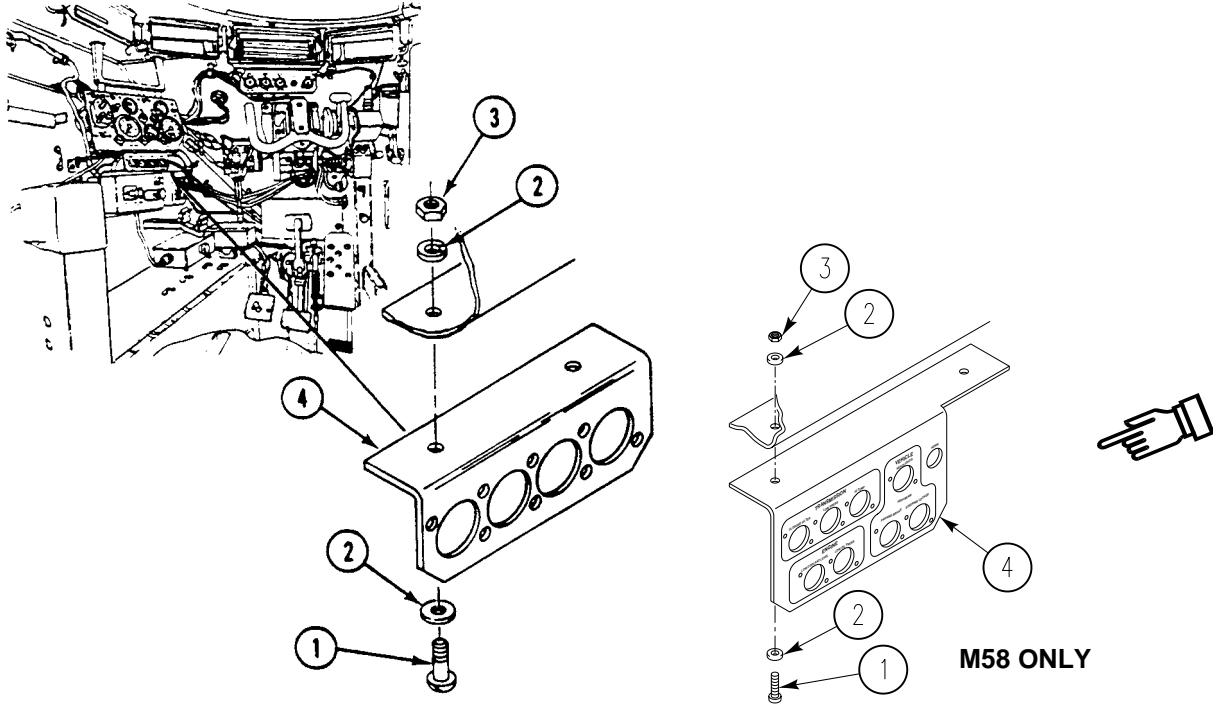
REMOVAL

1. Remove two screws (1), four washers (2), and two locknuts (3). Remove warning light panel (4) from instrument panel. Discard locknuts.



INSTALLATION

1. Position warning light panel (4) on bottom of instrument panel and secure with two screws (1), four washers (2), and two new locknuts (3).



FOLLOW-THROUGH STEPS

1. Install instrument panel warning lights (WP 0287 00).

END OF TASK

**REPLACE INSTRUMENT PANEL BATTERY-GENERATOR GAUGE WIRING
HARNESS**

0289 00

THIS WORK PACKAGE COVERS:

Removal (page 0289 00-2).
Installation (page 0289 00-4).

INITIAL SETUP:

Maintenance Level

Unit

References

See your -10

Tools and Special Tools

General Mechanic's Tool Kit (WP 0926 00, Item 65)

Equipment Condition

Engine stopped (see your -10)

Carrier blocked (see your -10)

Battery ground strap disconnected (WP 0337 00) or
(WP 0338 00)

Tachometer and speedometer disconnected from
instrument panel gages (WP 0859 00) and
(WP 0862 00)

Materials/Parts

Locknut (10)

Lockwasher

Lockwasher

Personnel Required

Unit Mechanic

— Continued

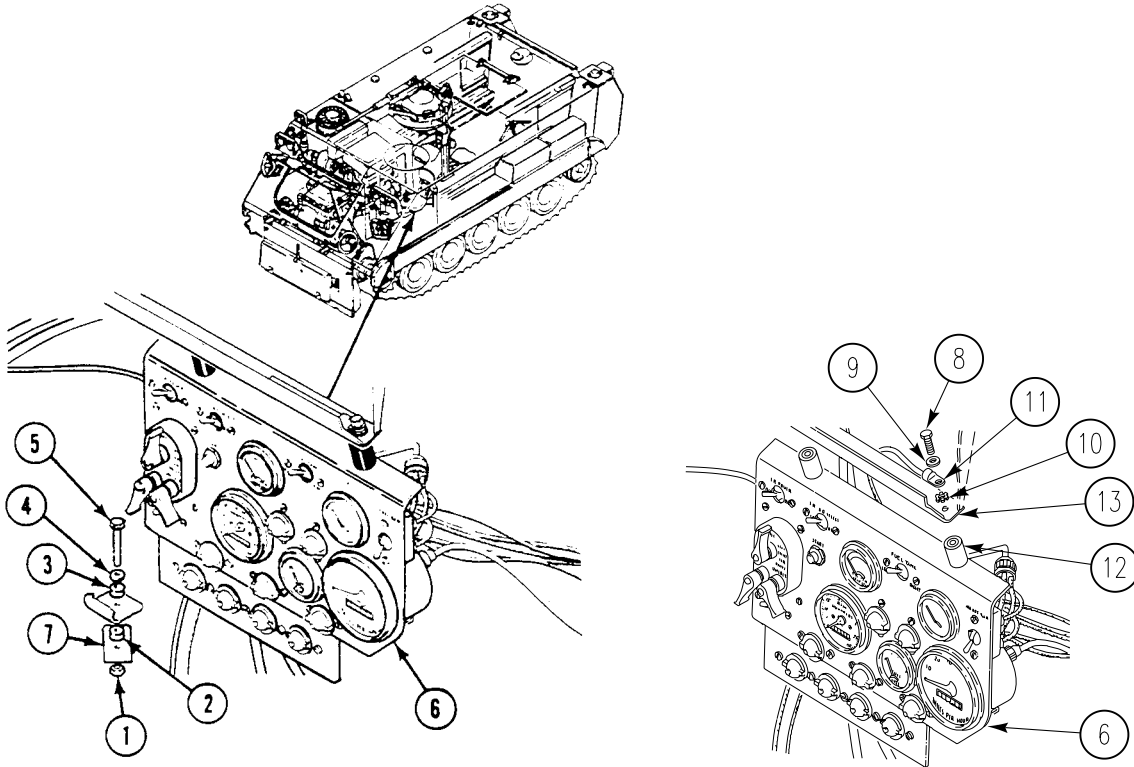
REMOVAL

1. Remove two locknuts (1), mounts (2) and (3), washers (4), and screws (5) that secure instrument panel (6) to two struts (7). Discard locknuts.

NOTE

The M58 vehicle (not shown) has four ground leads and the warning light panel has more indicator lights.

2. Support panel (6). Remove two screws (8), washers (9), one lockwasher (10), and ground straps (11) from two mounts (12) and upper support (13). Discard lockwasher.
3. Support panel (6) on two struts (7) to gain access to rear of panel.

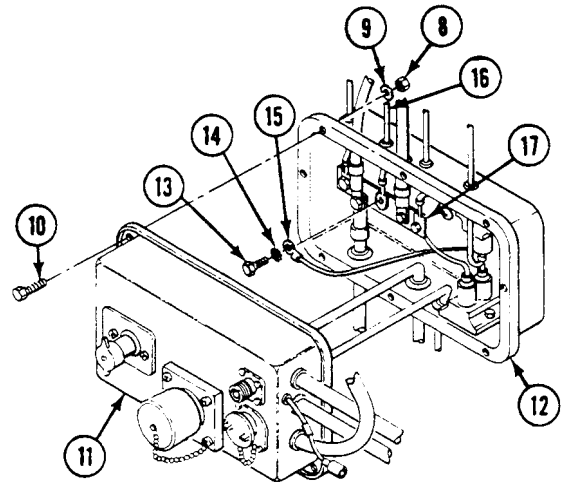
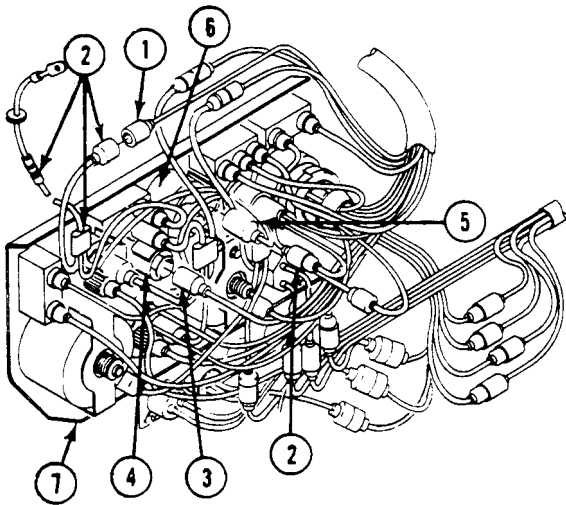


REPLACE INSTRUMENT PANEL BATTERY-GENERATOR GAUGE WIRING HARNESS

0289 00

— Continued

4. Disconnect circuit 15 lead (1) from instrument panel wiring harness (2).
5. Disconnect circuit 10 lead (3) from panel circuit breaker (4).
6. Disconnect circuit 27E lead (5) from battery generator gage (6).
7. Remove panel wiring harness (2) from instrument panel (7).
8. Remove eight locknuts (8), washers (9), and screws (10). Separate master switch panel (11) from distribution box (12). Discard locknuts.
9. Remove screw (13), lockwasher (14), circuit 450A lead (15), and harness lead (16) from bus bar (17). Discard lockwasher.
10. Remove panel wiring harness lead (16) from distribution box (12).



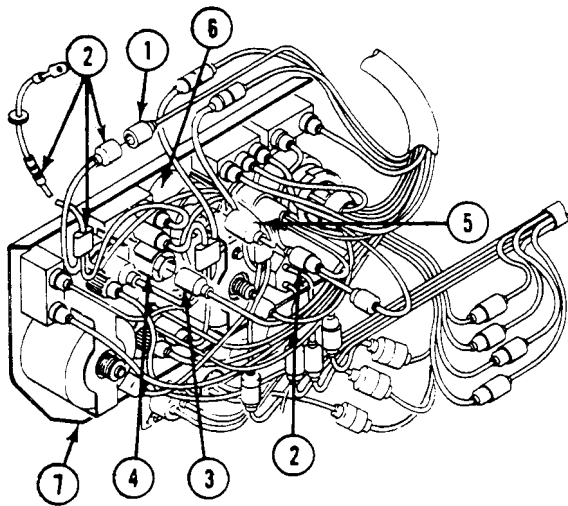
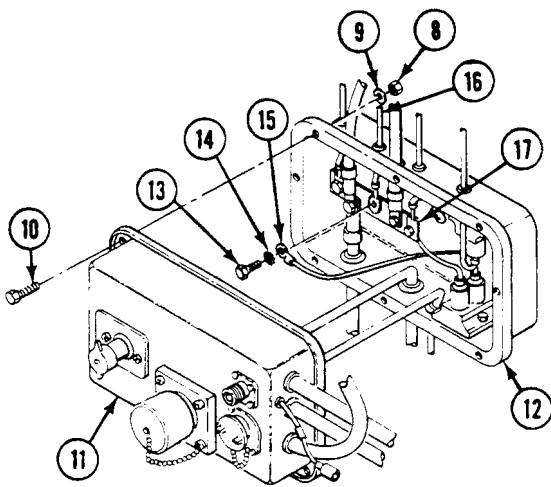
REPLACE INSTRUMENT PANEL BATTERY-GENERATOR GAUGE WIRING HARNESS

0289 00

— Continued

INSTALLATION

1. Install harness lead (16) through hole in top of distribution box (12). Secure harness lead and circuit 450A lead (15) to bus bar (17) with new lockwasher (14) and screw (13).
2. Install master switch panel (11) on distribution box (12). Secure with eight screws (10), washers (9), and new locknuts (8).
3. Connect circuit 27E lead (5) to battery generator gage (6).
4. Connect circuit 10 lead (3) to instrument panel circuit breaker (4).
5. Connect circuit 15 lead (1) to panel wiring harness (2).



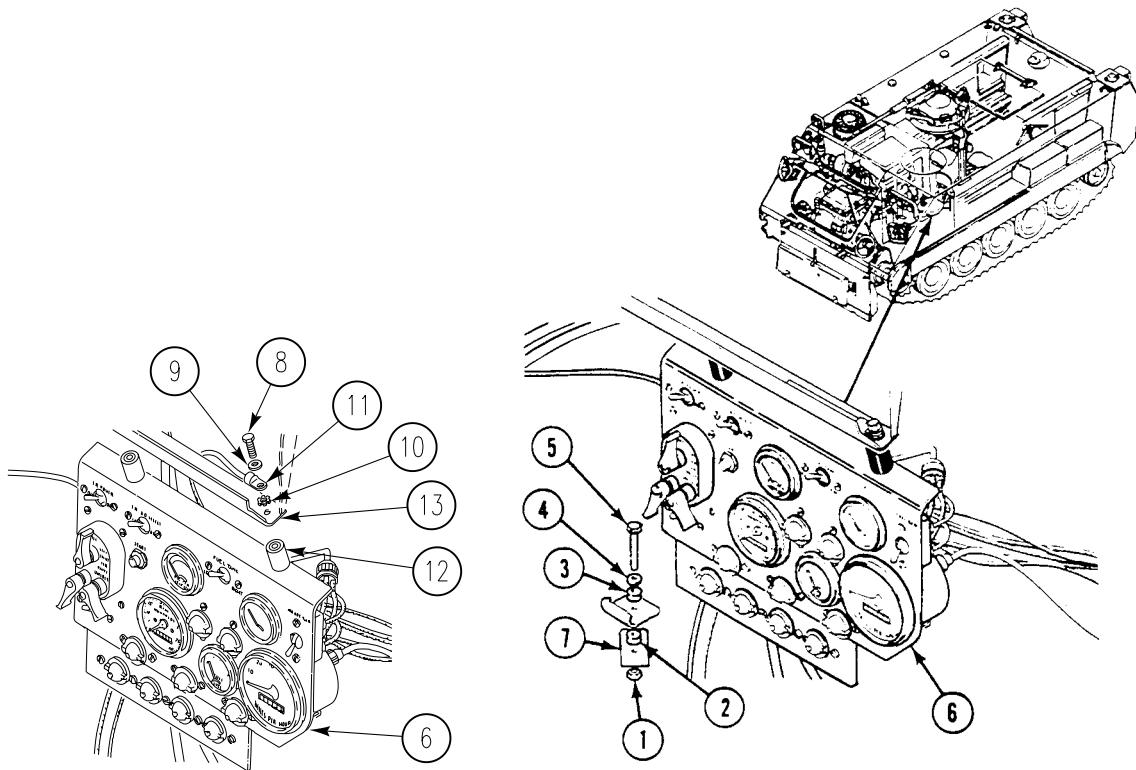
REPLACE INSTRUMENT PANEL BATTERY-GENERATOR GAUGE WIRING HARNESS**0289 00**

— Continued

NOTE

The M58 vehicle (not shown) has four ground leads and the warning light panel has more indicator lights.

6. Support instrument panel (6) on two struts (7).
7. Install two screws (8), washers (9), new lockwasher (10), and ground straps (11) on two mounts (12) and upper support (13).
8. Install two new locknuts (1), mounts (2) and (3), washers (4), screws (5), and struts (7) on instrument panel (6).

**FOLLOW-THROUGH STEPS**

1. Connect tachometer and speedometer to instrument panel gauges (WP 0859 00) and (WP 0862 00).
2. Connect battery ground strap (WP 0337 00) or (WP 0338 00).
3. Turn MASTER SWITCH to ON (see your -10). Check that battery generator gage operates properly.
4. Turn MASTER SWITCH to OFF (see your -10).

END OF TASK

REPLACE INSTRUMENT PANEL SPECIAL PURPOSE CABLE

0290 00

THIS WORK PACKAGE COVERS:

Removal (page 0290 00-1).
 Installation (page 0290 00-5).

INITIAL SETUP:

Maintenance Level

Unit

References

See your -10

Tools and Special Tools

General Mechanic's Tool Kit (WP 0926 00, Item 65)

Equipment Condition

Engine stopped (see your -10)
 Carrier blocked (see your -10)
 Battery ground strap disconnected (WP 0337 00),
 (WP 0338 00), or (WP 0339 00)
 Cables disconnected from speedometer and tachometer
 (WP 0859 00) and (WP 0862 00)

Materials/Parts

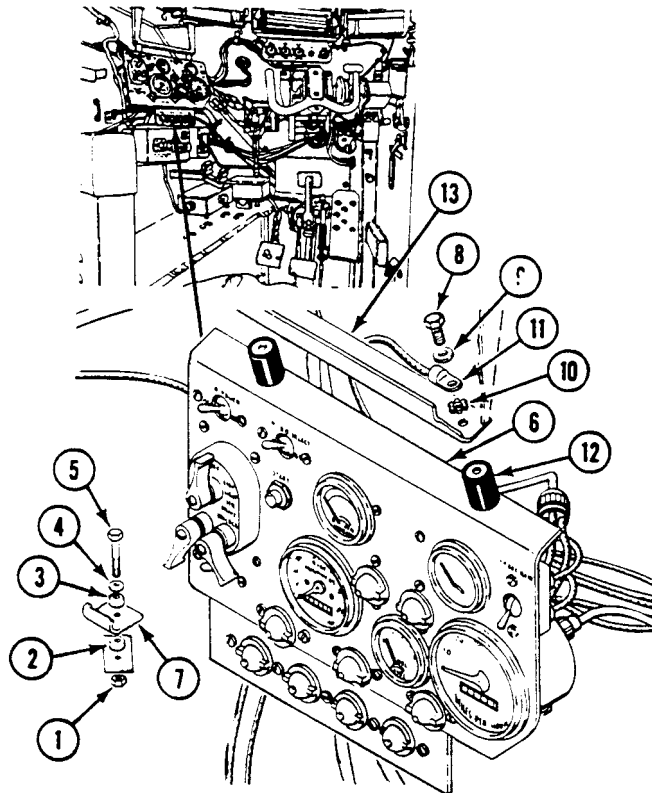
Lockwasher

Personnel Required

Unit Mechanic

REMOVAL

1. Remove two nuts (1), mounts (2) and (3), washers (4), and screws (5) that secure instrument panel (6) to two struts (7).
2. Support panel (6). Remove two screws (8), washers (9), one lockwasher (10), and ground lead (11) from two mounts (12) and upper support (13). Discard lockwasher.
3. Support panel (6) on two struts (7) to gain access to rear of panel.



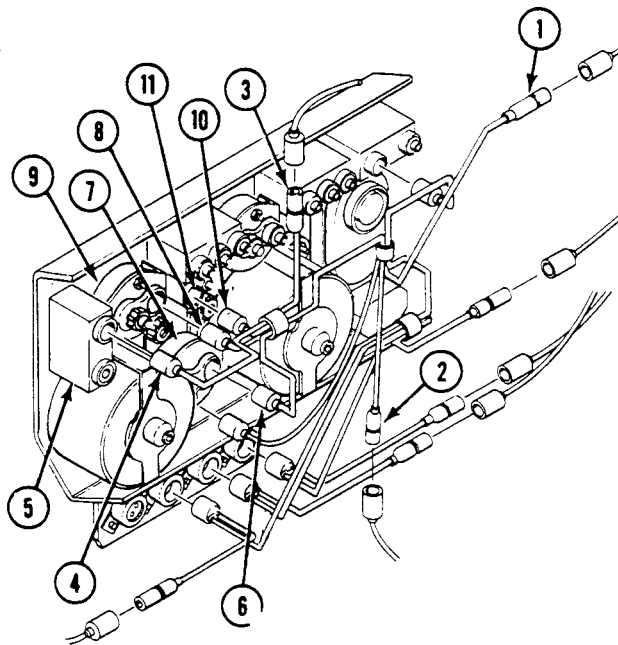
NOTE

All wiring harnesses except special purpose cable removed for clarity.

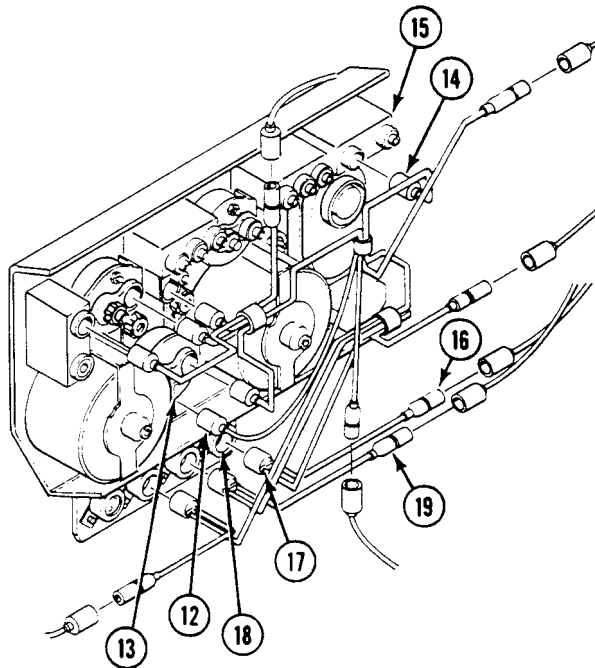
NOTE

All leads are shown from the back of the instrument panel.

4. Disconnect circuit lead 38 (1) from instrument panel wiring harness.
5. Disconnect circuit 25A lead (2) from panel wiring harness.
6. Disconnect circuit 27F lead (3) from panel wiring harness.
7. Disconnect circuit 27C lead (4) from AIR BOX HEATER switch (5).
8. Disconnect circuit 27B lead (6) from engine coolant temperature gauge (7).



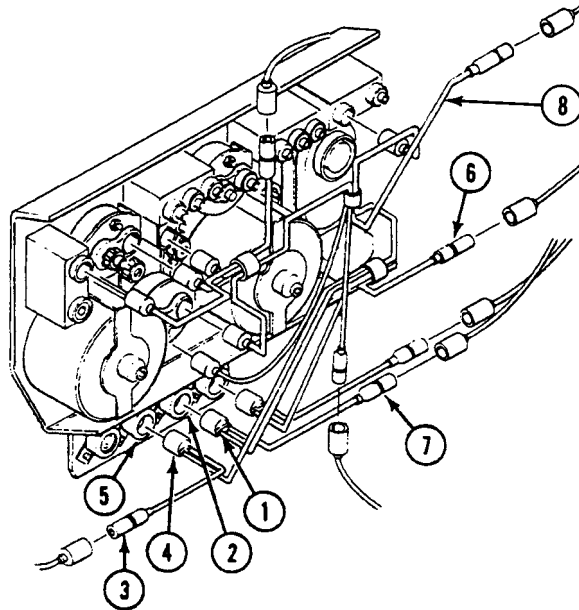
9. Disconnect circuit 27A lead (8) from fuel quantity gauge (9).
10. Disconnect circuit 27 lead (10) from instrument panel circuit breaker (11).
11. Disconnect circuit 459 lead (12) from MASTER SWITCH ON indicator light (13).
12. Disconnect circuit 516 lead (14) from IR POWER or DTV (M58 only) switch (15).
13. Disconnect circuit 323 lead (16) from instrument panel wiring harness.
14. Disconnect circuit 323 and 27R leads (17) from TRANS FILTER CLOGGED indicator (18).
15. Disconnect circuit 367 lead (19) from panel wiring harness.



REPLACE INSTRUMENT PANEL SPECIAL PURPOSE CABLE — Continued

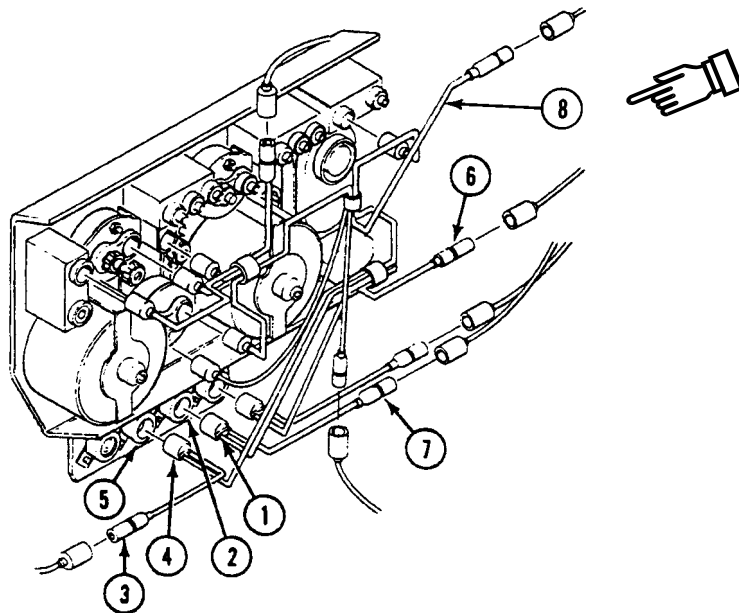
0290 00

16. Disconnect circuit 367 and 27L leads (1) from TRANS OIL LOW PRESS indicator (2).
17. Disconnect circuit 370 lead (3) from panel wiring harness.
18. Disconnect circuit 370 and 27M (4) from PARKING BRAKE indicator (5).
19. Disconnect circuit 27P lead (6) from panel wiring harness.
20. Remove special purpose cable.



INSTALLATION

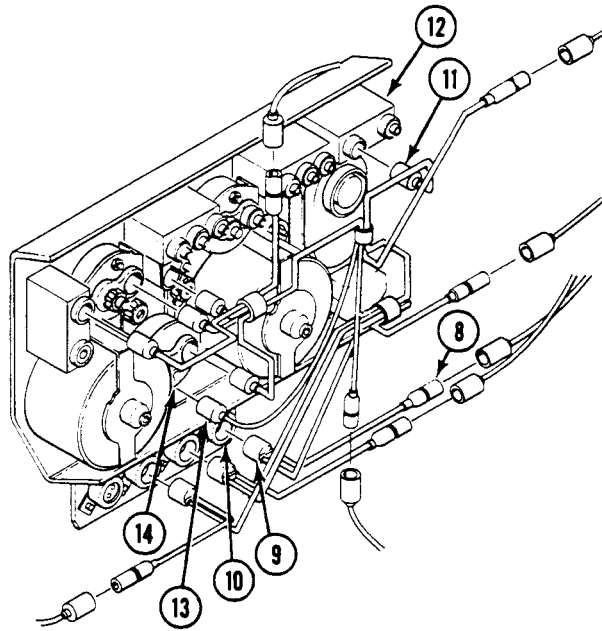
1. Install special purpose cable (8).
2. Connect circuit 27P lead (6) to instrument panel wiring harness.
3. Connect circuit 370 lead (3) to panel wiring harness.
4. Connect circuit 370 and 27M leads (4) to PARKING BRAKE indicator (5).
5. Connect circuit 367 lead (7) to panel wiring harness.
6. Connect circuit 367 and 27L leads (1) to TRANS OIL LOW PRESS indicator (2).



REPLACE INSTRUMENT PANEL SPECIAL PURPOSE CABLE — Continued

0290 00

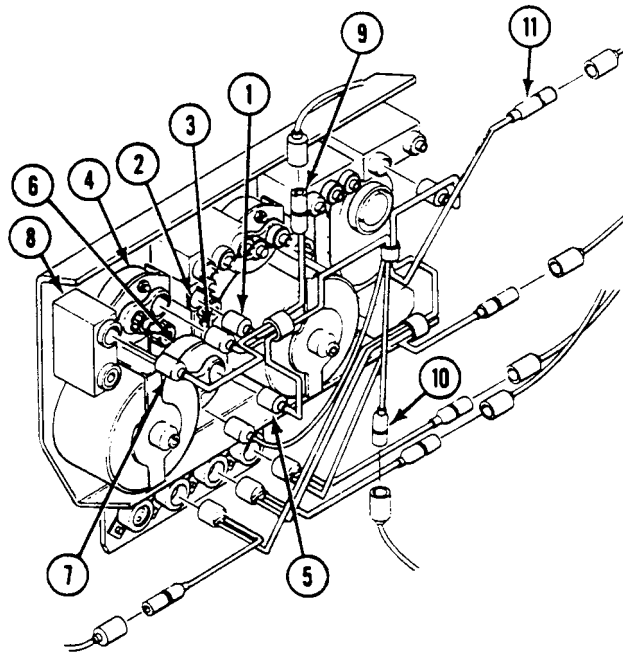
7. Connect circuit 323 lead (8) to panel wiring harness.
8. Connect circuit 323 and 27R leads (9) to TRANS FILTER CLOGGED indicator (10).
9. Connect circuit 516 lead (11) to IR POWER or DTV (M58 only) switch (12).
10. Connect circuit 459 lead (13) to MASTER SWITCH ON indicator light (14).



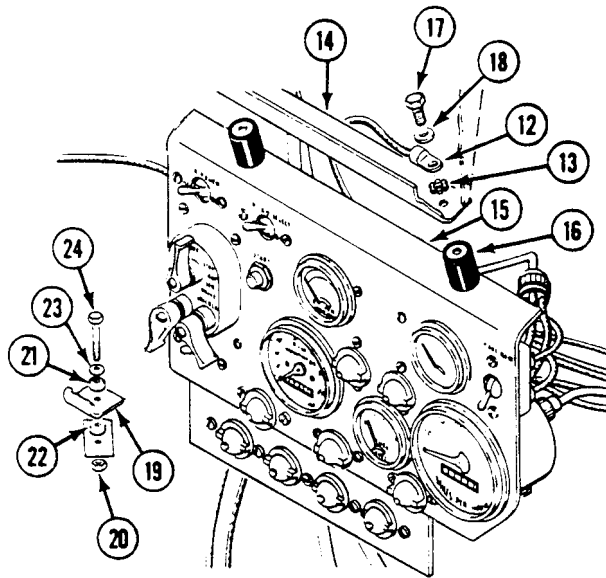
REPLACE INSTRUMENT PANEL SPECIAL PURPOSE CABLE — Continued

0290 00

11. Connect circuit 27 lead (1) to instrument panel circuit breaker (2).
12. Connect circuit 27A lead (3) to fuel quantity gage (4).
13. Connect circuit 27B lead (5) to engine coolant temperature gage (6).
14. Connect circuit 27C lead (7) to AIR BOX HEATER switch (8).
15. Connect circuit 27F lead (9) to panel wiring harness.
16. Connect circuit 25A lead (10) to panel wiring harness.
17. Connect circuit 38 lead (11) to panel wiring harness.



18. Install ground lead (12) and new lockwasher (13) on upper support (14).
19. Install instrument panel (15) with two mounts (16) on support (14). Secure with two screws (17) and washers (18).
20. Install panel (15) on two struts (19). Secure with two nuts (20), mounts (21) and (22), washers (23), and screws (24).



FOLLOW-THROUGH STEPS

1. Connect cables to speedometer and tachometer (WP 0859 00) and (WP 0862 00).
2. Connect battery ground strap (WP 0337 00), (WP 0338 00), or (WP 0339 00).
3. Turn MASTER SWITCH to ON (see your -10).
4. Check gages and insure lights work (see your -10).
5. Turn MASTER SWITCH to OFF (see your -10).

END OF TASK

REPLACE WARNING LIGHT PANEL ASSEMBLY (ALL EXCEPT M58)

0291 00 ■

THIS WORK PACKAGE COVERS:

Removal (page 0291 00-1).
 Installation (page 0291 00-2).

INITIAL SETUP:

Maintenance Level

Unit

References

TM 9-2350-277-10

Tools and Special Tools

General Mechanic's Tool Kit (WP 0926 00, Item 65)

Equipment Condition

Engine stopped (see your -10)

Materials/Parts

Cotter pin (2)

Carrier blocked (see your -10)

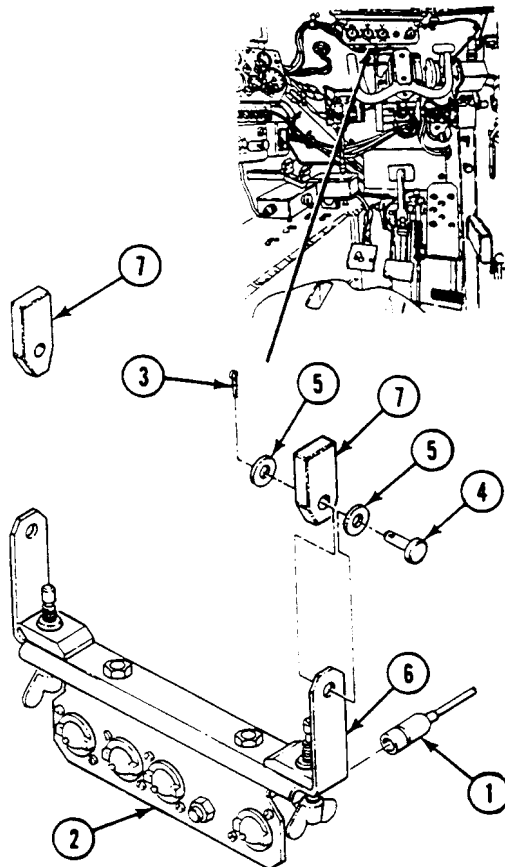
Personnel Required

Unit Mechanic

M17 periscope removed (see your -10)

REMOVAL

1. Disconnect five connectors (1) from rear of warning light panel (2).
2. Remove two cotter pins (3), straight pins (4), washers (5), and panel (2) with mount bracket (6) from hull mounts (7). Discard cotter pins.



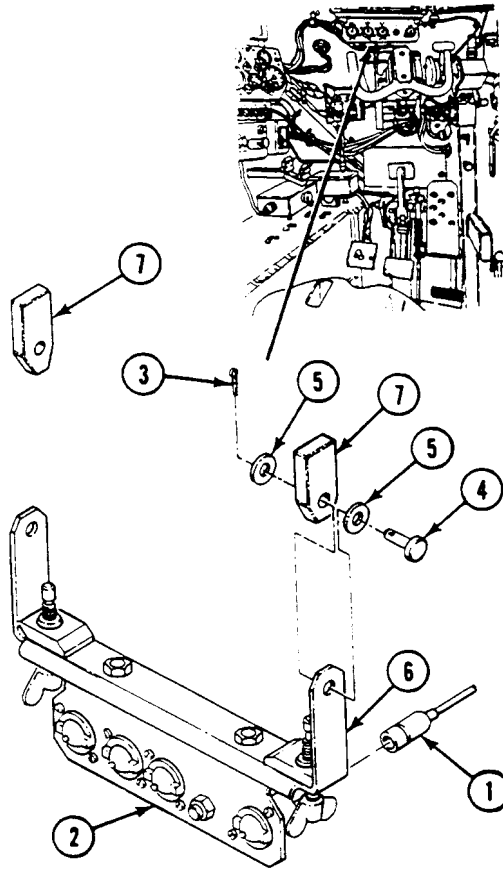
INSTALLATION

1. Position mount bracket (6) on hull mounts (7). Secure with two straight pins (4), washers (5), and new cotter pins (3).

NOTE

Be sure to connect leads to their proper indicators. See wiring diagrams at the end (Vol 6).

2. Connect five connectors (1) on rear of panel (2).

**FOLLOW-THROUGH STEPS**

1. Install M17 periscope (see your -10).

END OF TASK

REPLACE WARNING LIGHT PANEL (ALL EXCEPT M58)

0292 00 ■

THIS WORK PACKAGE COVERS:

Removal (page 0292 00-1).
 Installation (page 0292 00-2).

INITIAL SETUP:

Maintenance Level

Unit

References

TM 9-2350-277-10

Tools and Special Tools

General Mechanic's Tool Kit (WP 0926 00, Item 65)

Equipment Condition

Engine stopped (see your -10)
 Carrier blocked (see your -10)
 M17 periscope removed (see your -10)
 Panel warning lights removed (WP 0294 00)
 Horn switch removed (WP 0293 00)

Materials/Parts

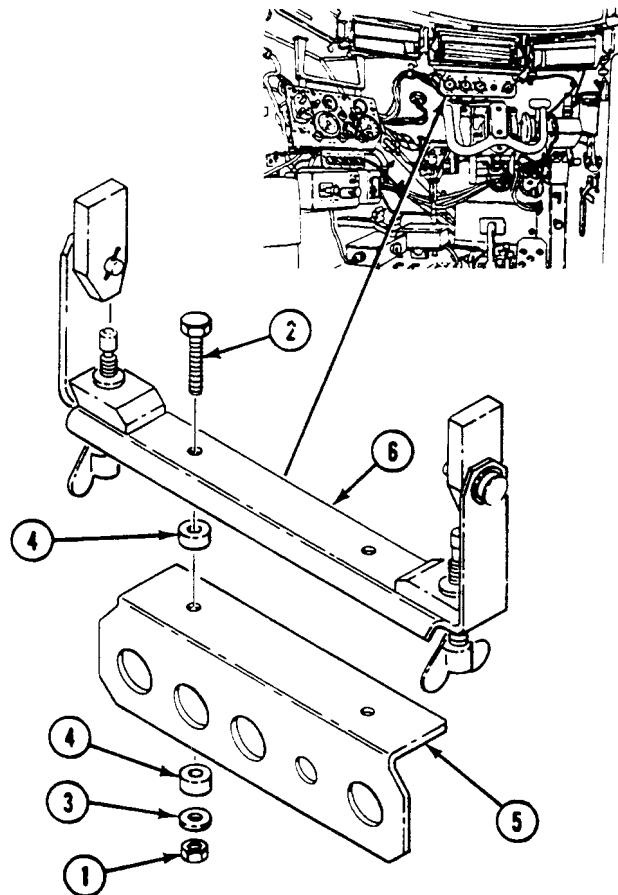
Locknut (2)

Personnel Required

Unit Mechanic

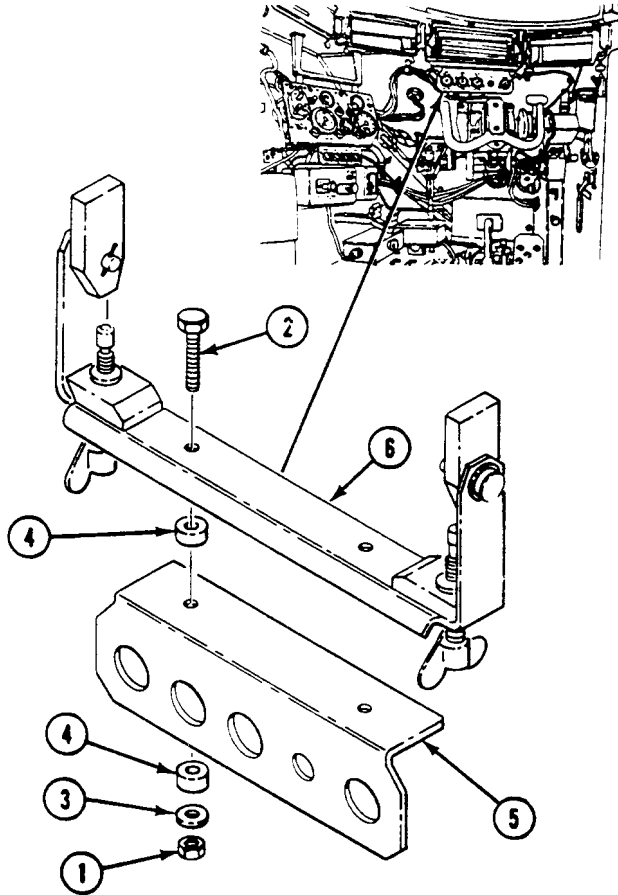
REMOVAL

1. Remove two locknuts (1), screws (2), washers (3), and four mounts (4), from panel (5) and bracket (6). Remove panel from bracket. Discard locknuts.



INSTALLATION

1. Install panel (5) on bracket (6). Secure with two screws (2), washers (3), four mounts (4), and new locknuts (1).

**FOLLOW-THROUGH STEPS**

1. Install horn switch (WP 0293 00).
2. Install panel warning lights (WP 0294 00).
3. Install M17 periscope (see your -10).

END OF TASK

REPLACE HORN SWITCH (ALL EXCEPT M58)

0293 00 ■

THIS WORK PACKAGE COVERS:

Removal (page 0293 00-1).
 Installation (page 0293 00-2).

INITIAL SETUP:

Maintenance Level

Unit

References

See your -10

Tools and Special Tools

General Mechanic's Tool Kit (WP 0926 00, Item 65)

Equipment Condition

Engine stopped (see your -10)

Carrier blocked (see your -10)

Battery ground strap disconnected (WP 0337 00),
 (WP 0338 00), or (WP 0339 00)

Personnel Required

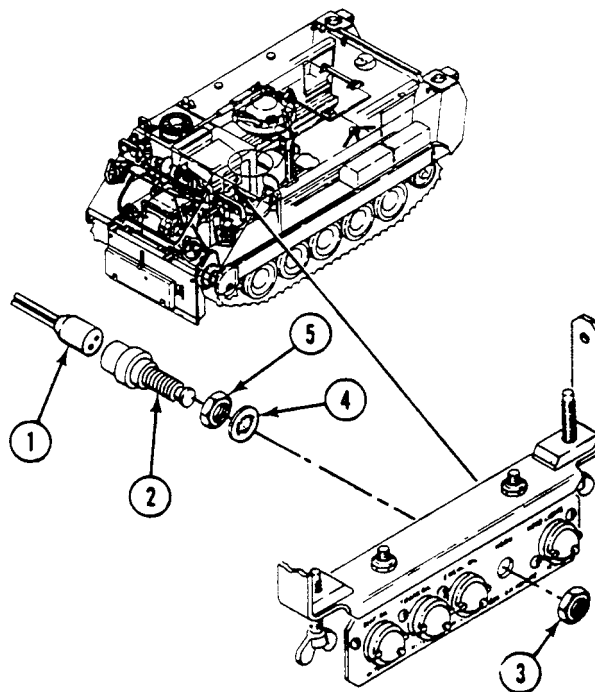
Unit Mechanic

REMOVAL

NOTE

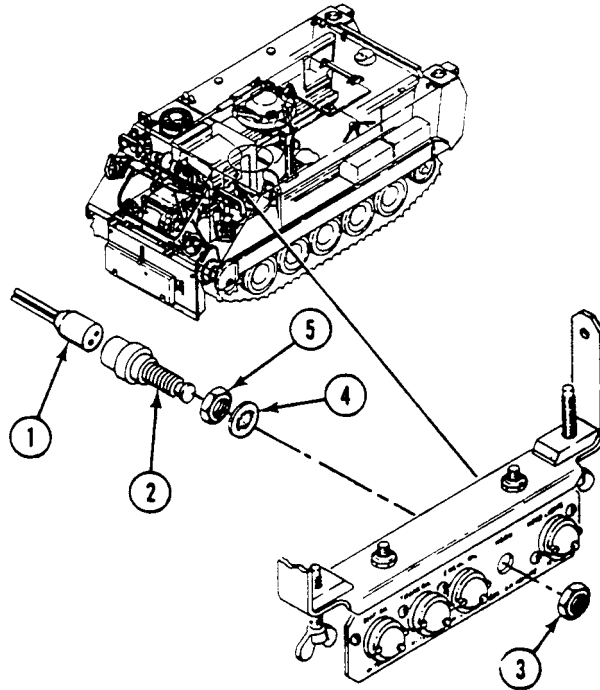
Two nuts and lockwashers come with new switch.

1. Disconnect circuit 25/25A connector (1) from rear of HORN switch (2).
2. Remove nut (3) and HORN switch (2) from warning light panel.
3. Remove lockwasher (4) and nut (5) from HORN switch (2).



INSTALLATION

1. Install nut (5) and lockwasher (4) on HORN switch (2).
2. Install HORN switch through rear of warning light panel. Secure with nut (3).
3. Connect circuit 25/25A connector (1) to rear of HORN switch (2).

**FOLLOW-THROUGH STEPS**

1. Connect battery ground strap (WP 0337 00), (WP 0338 00), or (WP 0339 00).
2. Turn MASTER SWITCH to ON (see your -10).
3. Press HORN switch to check for proper operation (see your -10).
4. Turn MASTER SWITCH to OFF (see your -10).

END OF TASK

REPLACE HORN SWITCH (M58 ONLY)

0293 01

THIS WORK PACKAGE COVERS:

- Removal (page 0293 01-1).
- Installation (page 0293 01-3).

INITIAL SETUP:

Maintenance Level

Unit

References

See your -10

Tools and Special Tools

General Mechanic's Tool Kit (WP 0926 00, Item 65)

Equipment Condition

- Engine stopped (see your -10)
- Carrier blocked (see your -10)
- Battery ground strap disconnected (WP 0337 00), (WP 0338 00), or (WP 0339 00)

Personnel Required

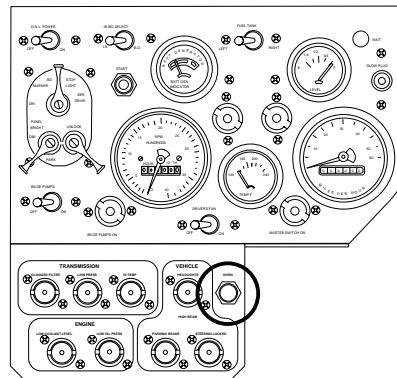
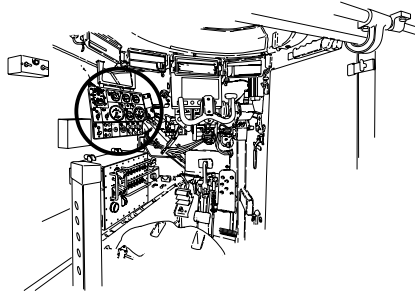
Unit Mechanic

REMOVAL

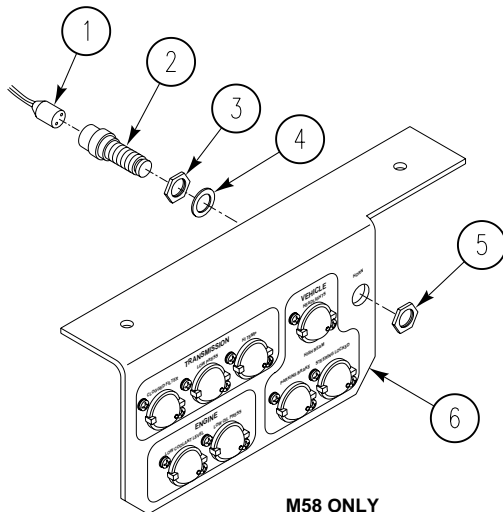
NOTE

Two nuts and lockwashers come with new switch.

1. Disconnect circuit 25/25A connector (1) from rear of HORN switch (2).



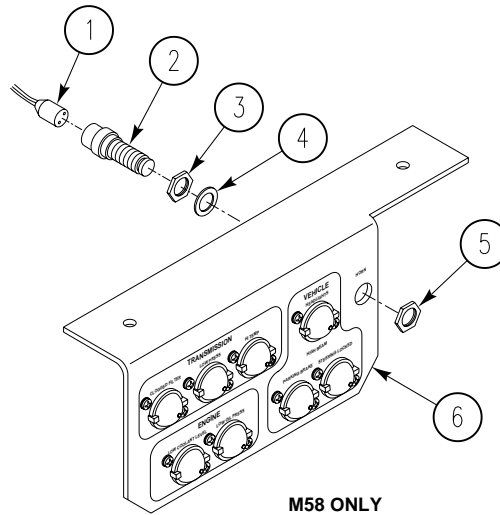
M58 ONLY



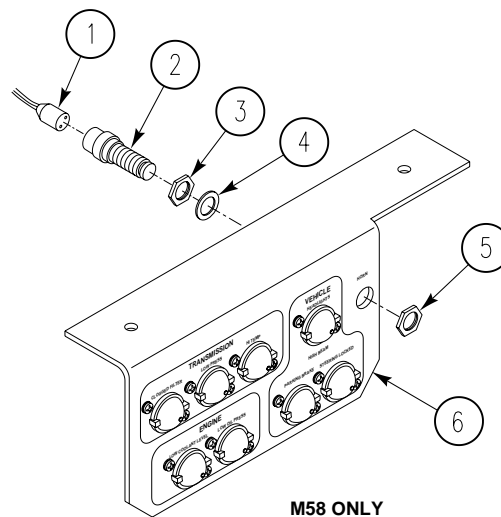
REPLACE HORN SWITCH (M58 ONLY) — Continued

0293 01

2. Remove nut (5) and HORN switch (2) from warning light panel (6).
3. Remove lockwasher (4) and nut (3) from HORN switch (2).

**INSTALLATION**

1. Install nut (3) and lockwasher (4) on HORN switch (2).
2. Install HORN switch (2) through rear of warning light panel (6). Secure with nut (5).
3. Connect circuit 25/25A connector (1) to rear of HORN switch (2).

**FOLLOW-THROUGH STEPS**

1. Connect battery ground strap (WP 0337 00), (WP 0338 00), or (WP 0339 00).
2. Turn MASTER SWITCH to ON (see your -10).
3. Press HORN switch to check for proper operation (see your -10).
4. Turn MASTER SWITCH to OFF (see your -10).

END OF TASK

REPLACE WARNING PANEL LIGHTS (ALL EXCEPT M58)

0294 00 ■

THIS WORK PACKAGE COVERS:

Removal (page 0294 00-1).
 Installation (page 0294 00-3).

INITIAL SETUP:

Maintenance Level

Unit

References

See your -10

Tools and Special Tools

General Mechanic's Tool Kit (WP 0926 00, Item 65)

Equipment Condition

Engine stopped (see your -10)

Carrier blocked (see your -10)

Materials/Parts

Light bulbs (as needed)

Lockwasher (2)

Battery ground strap disconnected (WP 0337 00),
 (WP 0338 00), or (WP 0339 00)

Personnel Required

Unit Mechanic

REMOVAL

NOTE

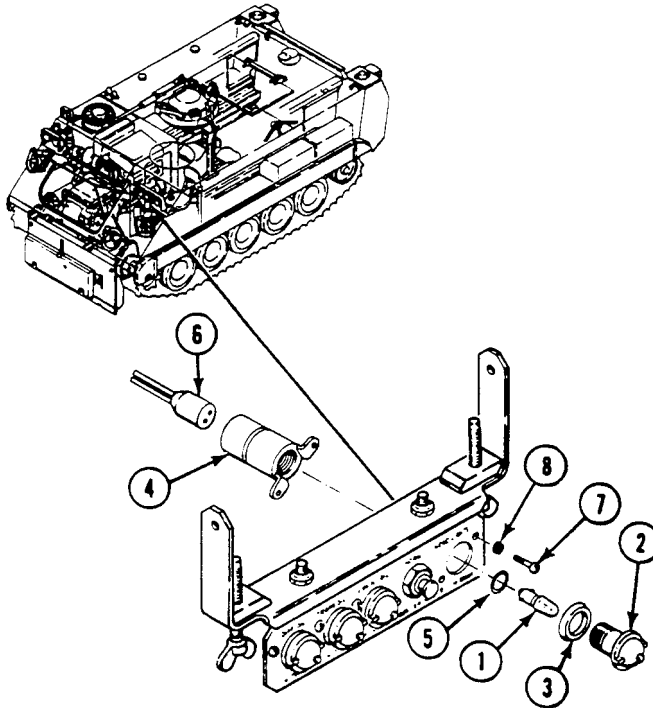
There are four lights on warning panel. All lights are replaced the same way.

1. Remove light bulb (1).
 - a. Turn lens (2) to the left. Remove lens and gasket (3) from light assembly (4).
 - b. Push in and turn light bulb (1) to the left and remove bulb from light assembly (4). Remove gasket (5).

NOTE

Do not disconnect more than one light at a time. Mark each lead to make sure you reconnect to correct contacts. See wiring diagrams at the end of this manual.

2. If required, remove light assembly (4).

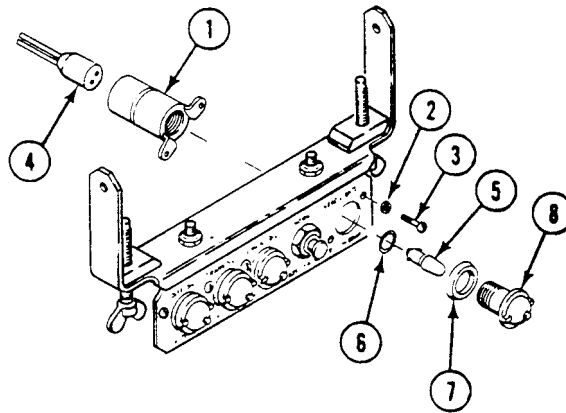


- a. Disconnect circuit lead (6) from light assembly (4).
- b. Remove two screws (7), lockwashers (8), and light assembly (4) from warning lights panel. Discard lockwashers.

INSTALLATION**CAUTION**

Make sure circuit leads are connected to correct lights. See wiring diagrams at the end of this manual.

1. If removed, install light assembly (1).
 - a. Place light assembly (1) on rear of warning light panel. Secure with two new lockwashers (2) and screws (3).
 - b. Connect circuit lead (4) to light assembly (1).
2. Install light bulb (5).



- a. Install gasket (6) and light bulb (5) in light assembly (1). Push and turn light bulb to the right to secure.
- b. Install gasket (7) and lens (8) in light assembly (1). Turn lens to the right to secure.

FOLLOW-THROUGH STEPS

1. Connect battery ground strap (WP 0337 00), (WP 0338 00), or (WP 0339 00).
2. Turn MASTER SWITCH to ON (see your -10).
3. Check warning panel lights as follows (see your -10):
 - a. ENGINE COOLANT LOW LEVEL light should be off. It will come on when you ground circuit 352 lead.
 - b. TRANS OIL HI TEMP indicator should be off. It will come on when you ground circuit lead 327.
 - c. ENGINE OIL LOW PRESS indicator should be on.
 - d. STEERING LOCKED indicator should be on when transmission controller is in SL.
4. Turn MASTER SWITCH to OFF (see your -10).

END OF TASK

REPLACE WARNING PANEL LIGHTS (M58 ONLY)

0294 01

THIS WORK PACKAGE COVERS:

- Removal (page 0294 01-2).
 - Inspection (page 0294 01-2).
 - Installation (page 0294 01-3).
-

INITIAL SETUP:

Maintenance Level

Unit

References

See your -10

Tools and Special Tools

General Mechanic's Tool Kit (WP 0926 00, Item 65)

Equipment Condition

Engine stopped (see your -10)

Carrier blocked (see your -10)

Materials/Parts

Light bulbs (as needed)

Lockwasher (2)

Battery ground strap disconnected (WP 0337 00),
(WP 0338 00), or (WP 0339 00)

Personnel Required

Unit Mechanic

REMOVAL

NOTE

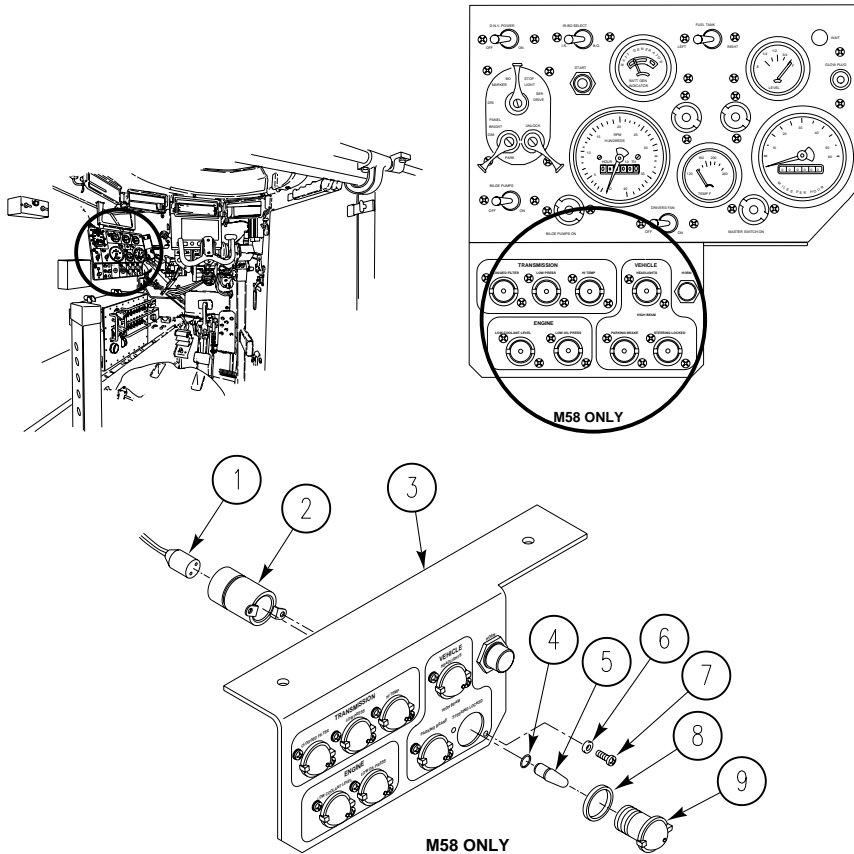
There are eight lights on warning panel. All lights are replaced the same way.

1. Remove light bulb (5).
 - a. Turn lens (9) to the left. Remove lens and gasket (8) from light assembly (2).
 - b. Push in and turn light bulb (5) to the left and remove bulb from light assembly (2). Remove gasket (4).

NOTE

Do not disconnect more than one light at a time. Mark each lead to make sure you reconnect to correct contacts. See wiring diagrams at the end of this manual.

2. If required, remove light assembly (2).Replacement



- a. Disconnect circuit lead (1) from light assembly (2).
- b. Remove two screws (7), lockwashers (6), and light assembly (2) from warning lights panel. Discard lockwashers.

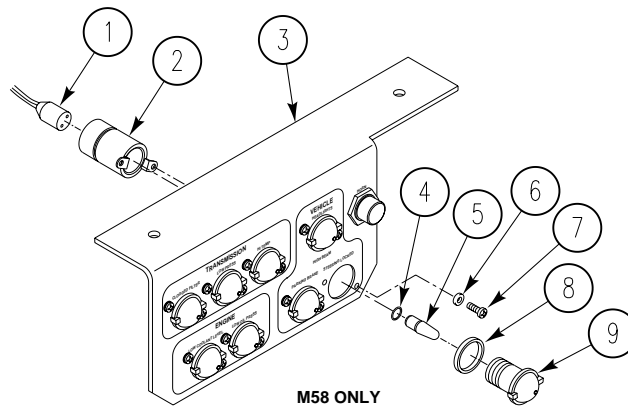
INSPECTION-ACCEPTANCE AND REJECTION CRITERIA

1. Check light bulb. See troubleshooting (WP 0038 00). Replace bad light bulb.
Check light assembly. See troubleshooting (WP 0038 00). Replace bad light assembly.

INSTALLATION**CAUTION**

Make sure circuit leads are connected to correct lights. See wiring diagrams at the end of this manual.

1. If removed, install light assembly (2).
 - a. Place light assembly (2) on rear of warning light panel. Secure with two new lockwashers (6) and screws (7).
 - b. Connect circuit lead (1) to light assembly (2).
2. Install light bulb (5).
 - a. Install gasket (4) and light bulb (5) in light assembly (2). Push and turn light bulb to the right to secure.
 - b. Install gasket (8) and lens (9) in light assembly (2). Turn lens to the right to secure.

**FOLLOW-THROUGH STEPS**

1. Connect battery ground strap (WP 0337 00), (WP 0338 00), or (WP 0339 00).
2. Turn MASTER SWITCH to ON (see your -10).
3. Check warning panel lights as follows (see your -10):
 - a. ENGINE COOLANT LOW LEVEL light should be off. It will come on when you ground circuit 352 lead.
 - b. TRANS OIL HI TEMP indicator should be off. It will come on when you ground circuit lead 327.
 - c. ENGINE OIL LOW PRESS indicator should be on.
 - d. STEERING LOCKED indicator should be on when transmission controller is in SL.
4. Turn MASTER SWITCH to OFF (see your -10).

END OF TASK

**REPLACE INSTRUMENT PANEL MOUNTS AND GROUND
LEAD (OLD CONFIGURATION)**

0295 00

THIS WORK PACKAGE COVERS:

- Removal (page 0295 00-2).
 - Installation (page 0295 00-4).
-

INITIAL SETUP:

Maintenance Level

Unit

Personnel Required

Mechanic

Tools and Special Tools

General Mechanic's Tool Kit (WP 0926 00, Item 65)

References

TM 9-2350-277-10

Materials/Parts

Lockwasher (5)

Locknut (2)

Locknut (2)

Resilient Mount (2)

Equipment Condition

Engine stopped (TM 9-2350-277-10)

Carrier blocked (TM 9-2350-277-10)

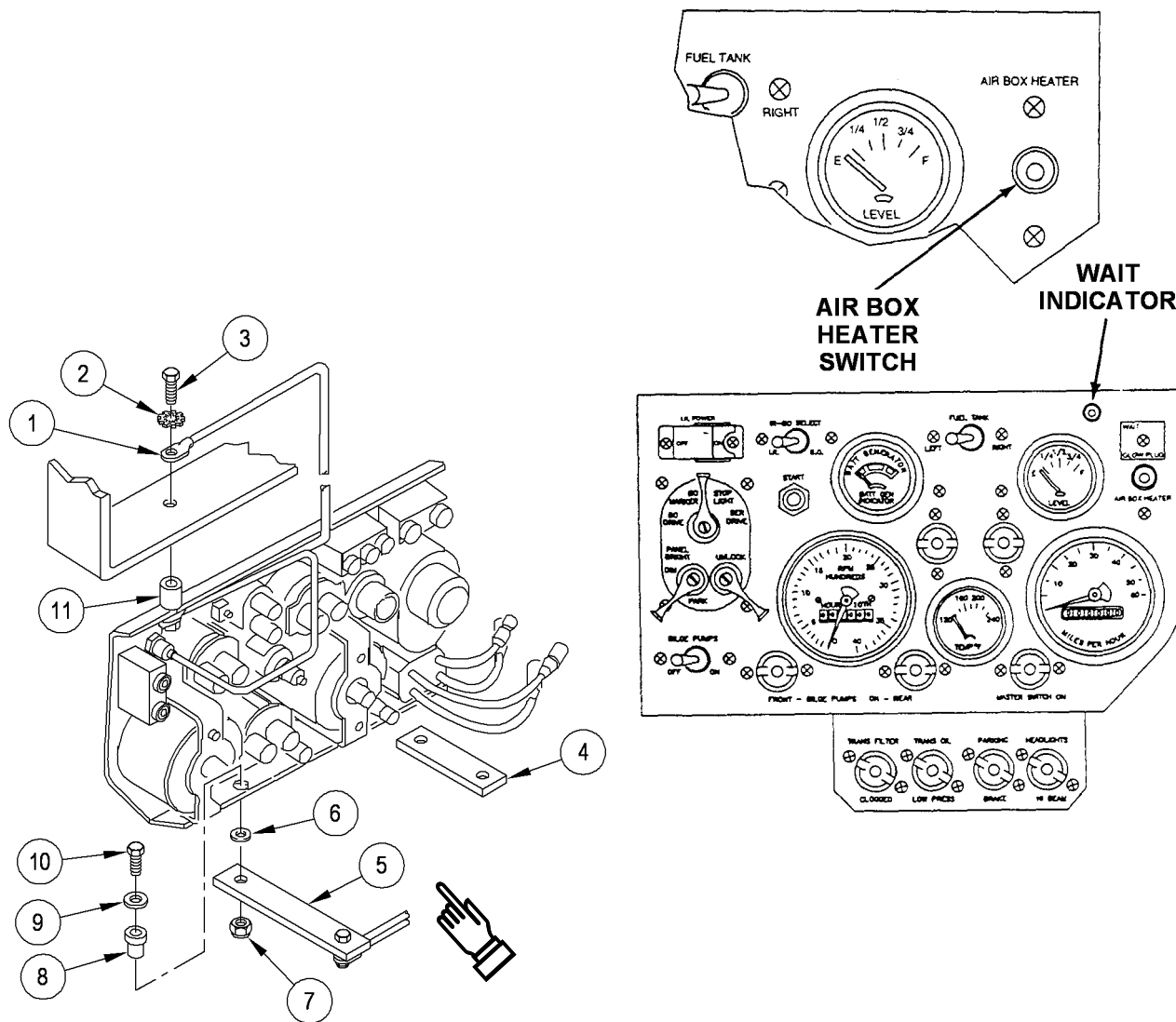
Battery ground strap disconnected (WP 0337 00 or
WP 0338 00)

REPLACE INSTRUMENT PANEL MOUNTS AND GROUND LEAD (OLD CONFIGURATION) — Continued

0295 00

REMOVAL

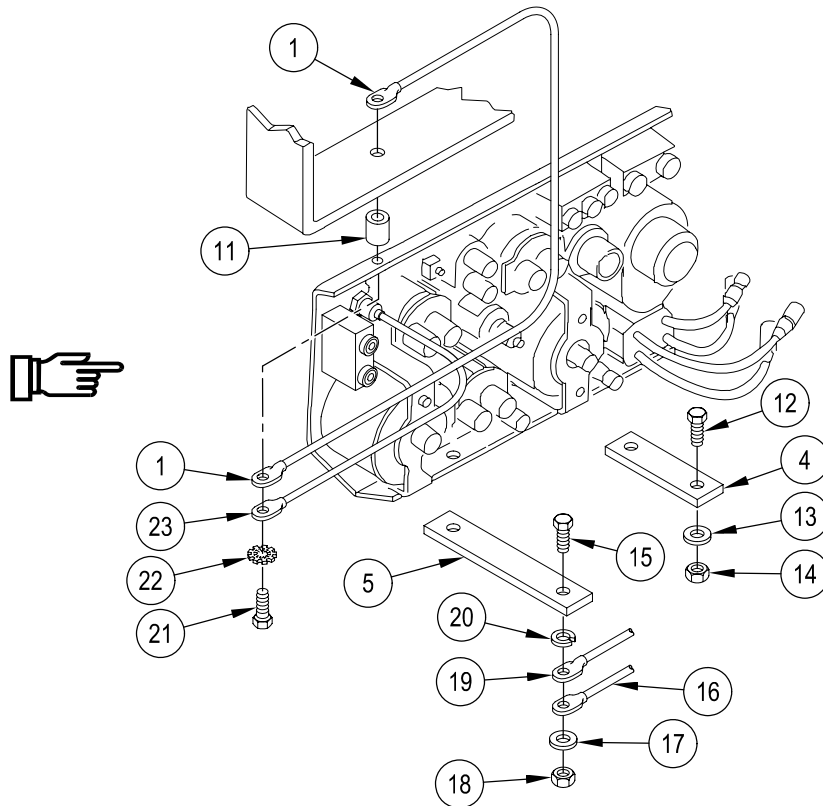
1. Remove two locknuts (7), mounts (6), resilient mounts (8), flat washers (9), and screws (10) from struts (5) and (4) and instrument panel. Discard locknuts and resilient mounts.
2. Support instrument panel and remove two screws (3), ground lead (1), and two lockwashers (2) from two resilient mounts (11) and upper support bracket. Discard lockwashers.



REPLACE INSTRUMENT PANEL MOUNTS AND GROUND LEAD (OLD CONFIGURATION) — Continued

0295 00

3. Tip instrument panel forward and remove two screws (21), ground lead (1), WAIT indicator ground lead (23) (glow plug system only), two lockwashers (22), and resilient mounts (11) from instrument panel. Discard lockwashers.
4. Remove locknut (18), washer (17), lockwasher (20), ground lead (16), ground lead (19), screw (15), and long strut (5) from hull mount. Discard lockwasher and locknut.
5. Remove locknut (14), washers (13), screw (12), and strut (4) from hull mount. Discard locknut.

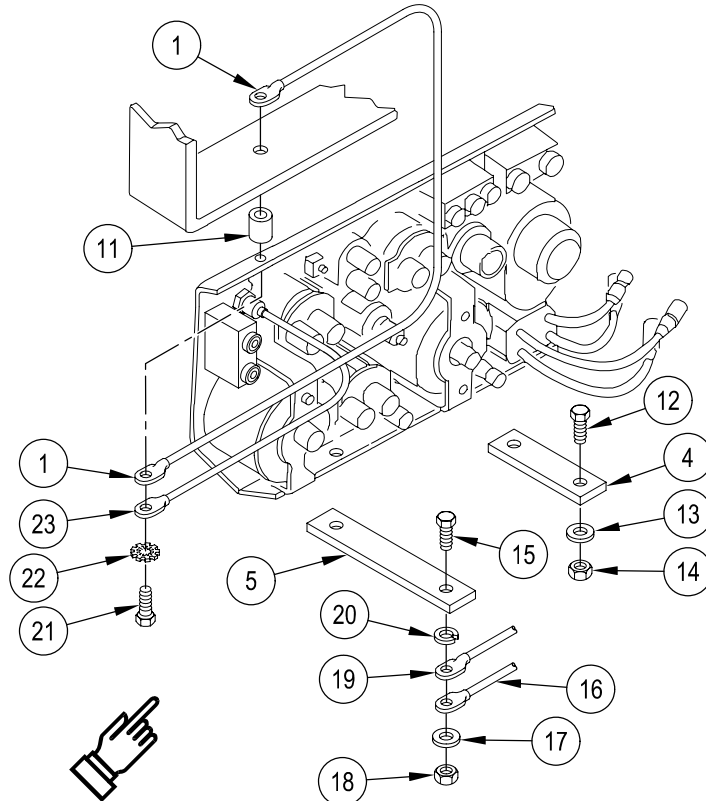


REPLACE INSTRUMENT PANEL MOUNTS AND GROUND LEAD (OLD CONFIGURATION) — Continued

0295 00

INSTALLATION

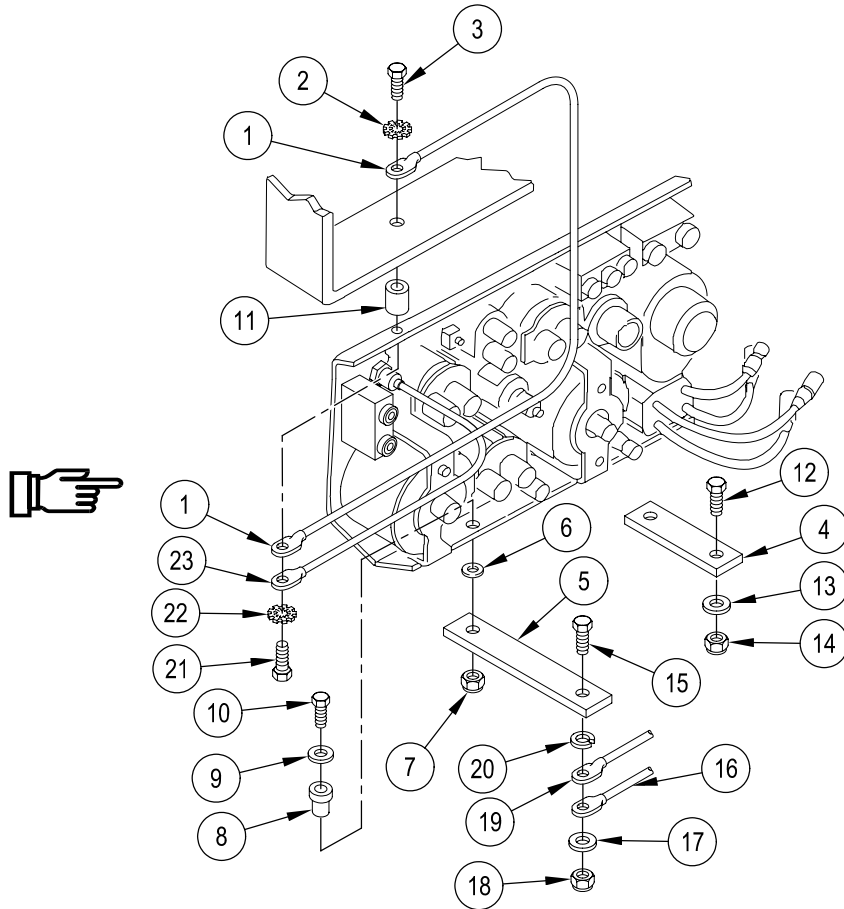
1. Place strut (4) on hull mount. Secure with screw (12), washer (13), and new locknut (14). Do not tighten locknut.
2. Place long strut (5) on hull mount. Secure with screw (15), new lockwasher (20), ground lead (19), ground lead (16), washer (17), and new locknut (18). Do not tighten locknut.
3. Install ground lead (1), WAIT indicator ground lead (23) (glow plug system only), and two new lockwashers (22) on two screws (21). Insert screws thru instrument panel and secure with two resilient mounts (11).



REPLACE INSTRUMENT PANEL MOUNTS AND GROUND LEAD (OLD CONFIGURATION) — Continued

0295 00

4. Secure ground lead (1), WAIT indicator ground lead (23) (glow plug system only), and resilient mount (11) to upper support bracket with screw (3) and new lockwasher (2).
5. Secure other resilient mount (11) to upper support bracket with screw (3) and new lockwasher (2).
6. Install two washers (9) and new resilient mounts (8) on screws (10), and position through instrument panel. Install two mounts (6) on screws and insert screws through struts (5) and (4). Secure with two new locknuts (7). Tighten locknuts (18) and (14).



FOLLOW THROUGH STEPS

1. Connect battery ground strap (WP 0337 00 or WP 0338 00).

END OF TASK

REPLACE INSTRUMENT PANEL MOUNTS AND GROUND LEAD (NEW CONFIGURATION)

0295 01

THIS WORK PACKAGE COVERS:

- Removal (page 0295 01-1).
- Installation (page 0295 01-2).

INITIAL SETUP:

Maintenance Level

Unit

Personnel Required

Mechanic

Tools and Special Tools

General Mechanic's Tool Kit (WP 0926 00, Item 65)

References

TM 9-2350-277-10

Materials/Parts

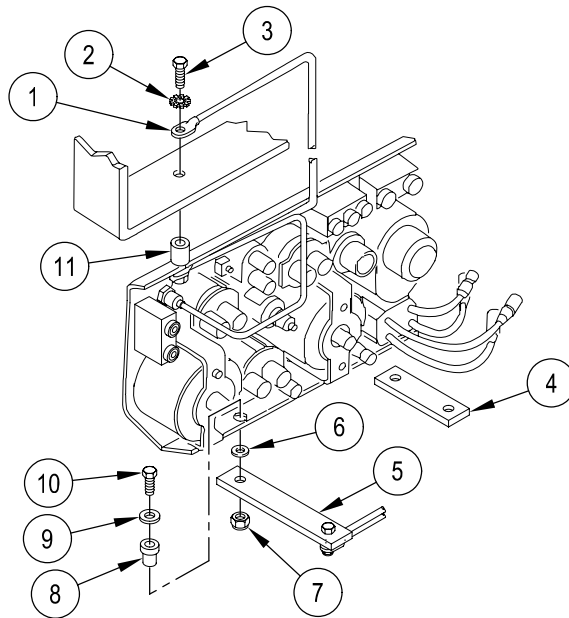
- Lockwasher (5)
- Locknut (2)
- Locknut (2)
- Resilient Mount (2)

Equipment Condition

- Engine stopped (TM 9-2350-277-10)
- Carrier blocked (TM 9-2350-277-10)
- Battery ground strap disconnected (WP 0337 00 or WP 0338 00)

REMOVAL

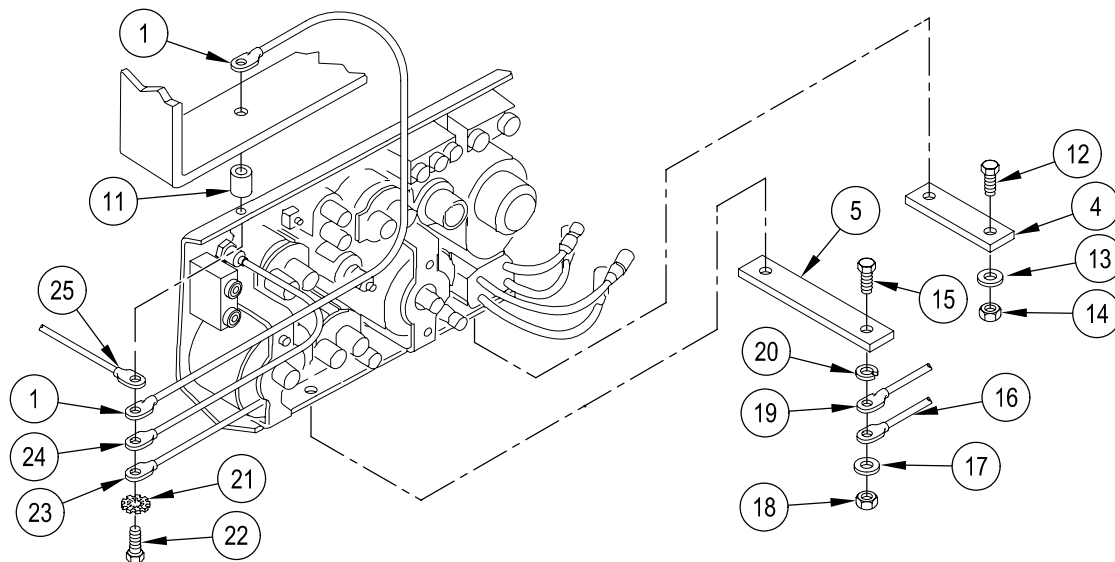
1. Remove two locknuts (7), mounts (6), resilient mounts (8), flat washers (9), and screws (10) from struts (5) and (4), and instrument panel. Discard locknuts and resilient mounts.
2. Support instrument panel and remove two screws (3), ground lead (1), and two lockwashers (2) from two resilient mounts (11) and upper support bracket. Discard lockwashers.



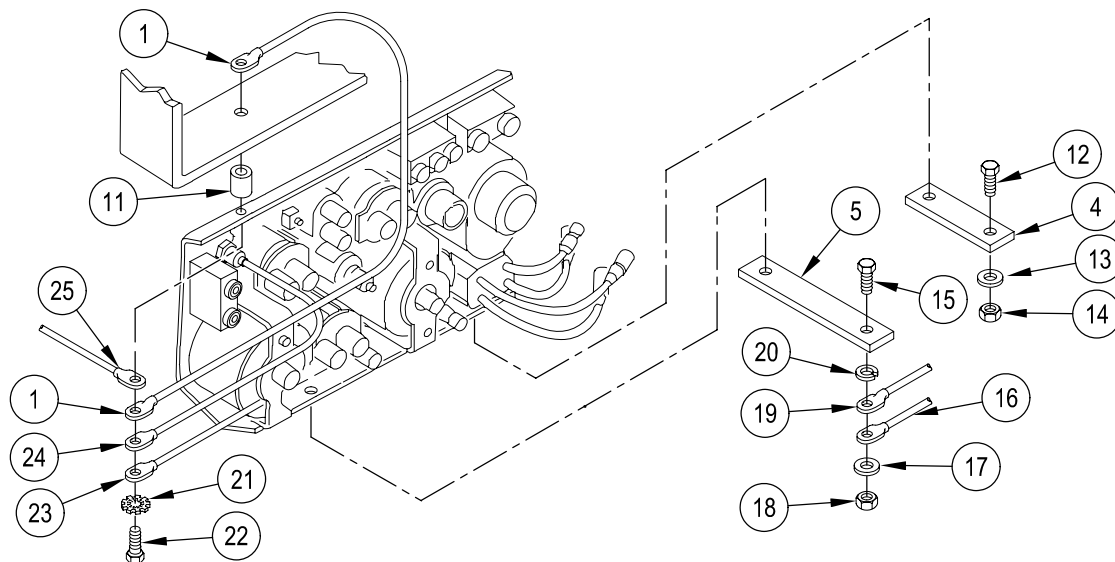
REPLACE INSTRUMENT PANEL MOUNTS AND GROUND LEAD (NEW CONFIGURATION) — Continued

0295 01

3. Tip instrument panel forward and remove two screws (22), ground lead (1), ground lead circuit 519 (24), ground lead circuit 369A (25), ground lead circuit 406B (23), two lockwashers (21), and resilient mounts (11) from instrument panel. Discard lockwashers.
4. Remove locknut (18), washer (17), lockwasher (20), ground lead (16), ground lead (19), screw (15), and long strut (5) from hull mount. Discard lockwasher and locknut.
5. Remove locknut (14), washers (13), screw (12), and strut (4) from hull mount. Discard locknut.


INSTALLATION

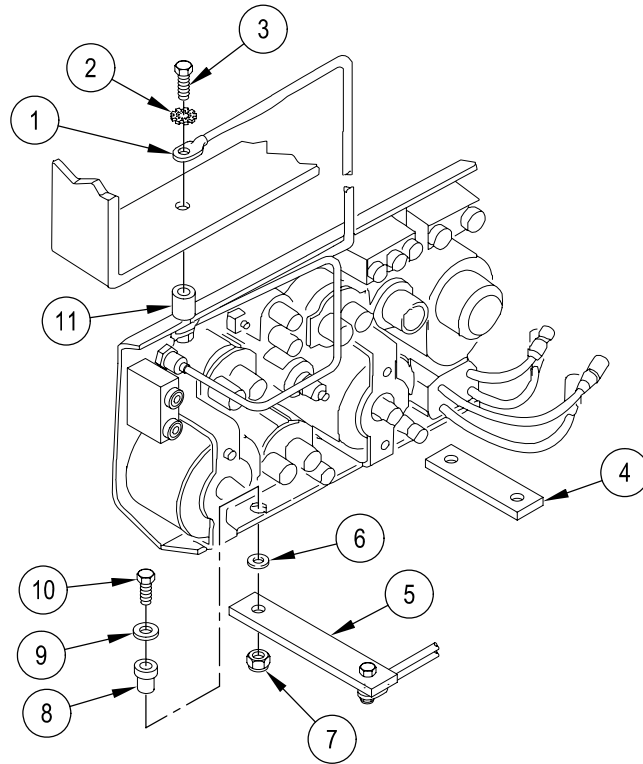
1. Place strut (4) on hull mount. Secure with screw (12), washer (13), and new locknut (14). Do not tighten locknut.
2. Place long strut (5) on hull mount. Secure with screw (15), new lockwasher (20), ground lead (19), ground lead (16), washer (17), and locknut (18). Do not tighten locknut.
3. Install ground lead (1), ground lead circuit 519 (24), ground lead circuit 369A (25), ground lead circuit 406B (23), and two new lockwashers (21) on two screws (22). Insert screws thru instrument panel and secure with two resilient mounts (11).



REPLACE INSTRUMENT PANEL MOUNTS AND GROUND LEAD (NEW CONFIGURATION) — Continued

0295 01

4. Secure ground lead (1) and resilient mount (11) to upper support bracket with screw (3) and new lockwasher (2).
5. Secure other resilient mount (11) to upper support bracket with screw (3) and new lockwasher (2).
6. Install two washers (9) and new resilient mounts (8) on screws (10), and position through instrument panel. Install two mounts (6) on screws and insert screws through struts (5) and (4). Secure with two new locknuts (7). Tighten locknuts on struts(5) and (4).



FOLLOW THROUGH STEPS

1. Connect battery ground strap (WP 0337 00 or WP 0338 00).

END OF TASK

REPLACE TELEPOSTS AND COVER

0296 00

THIS WORK PACKAGE COVERS:

Removal (page 0296 00-1).
 Installation (page 0296 00-3).

INITIAL SETUP:

Maintenance Level

Unit

References

See your -10

Tools and Special Tools

General Mechanic's Tool Kit (WP 0926 00, Item 65)

Equipment Condition

Engine stopped (see your -10)

Materials/Parts

Gasket (8)

Carrier blocked (see your -10)

Personnel Required

Unit Mechanic

Ramp lowered (see your -10)

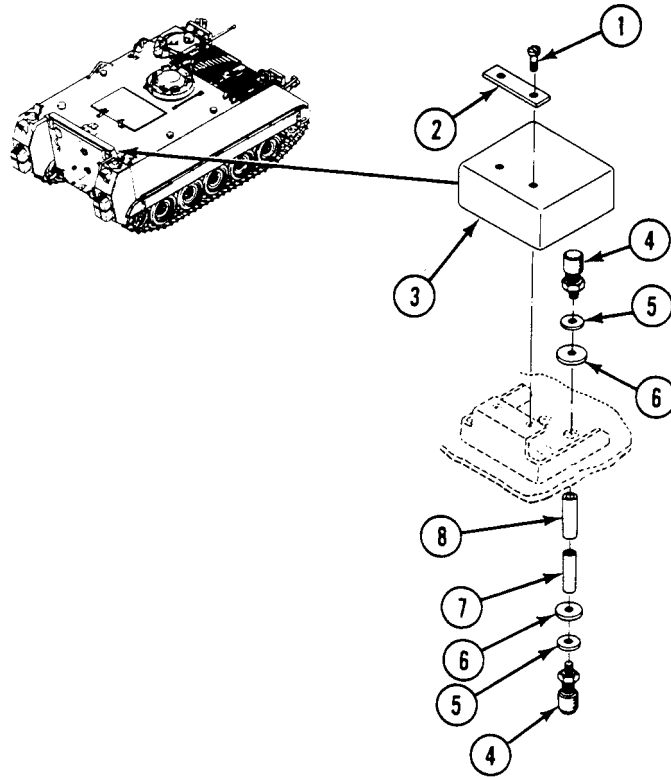
REMOVAL

NOTE

All carriers are equipped with teleposts. On the M113A3 and M1064A3, the teleposts are located on the right ceiling plate in front of the fuel tank. On the M1059A3 and M58, they are located on the left ceiling plate in front of the fuel tank. On the M577A3 and M1068A3, they are located on the right rear plate next to the ramp. The replacement procedure is the same at all locations.

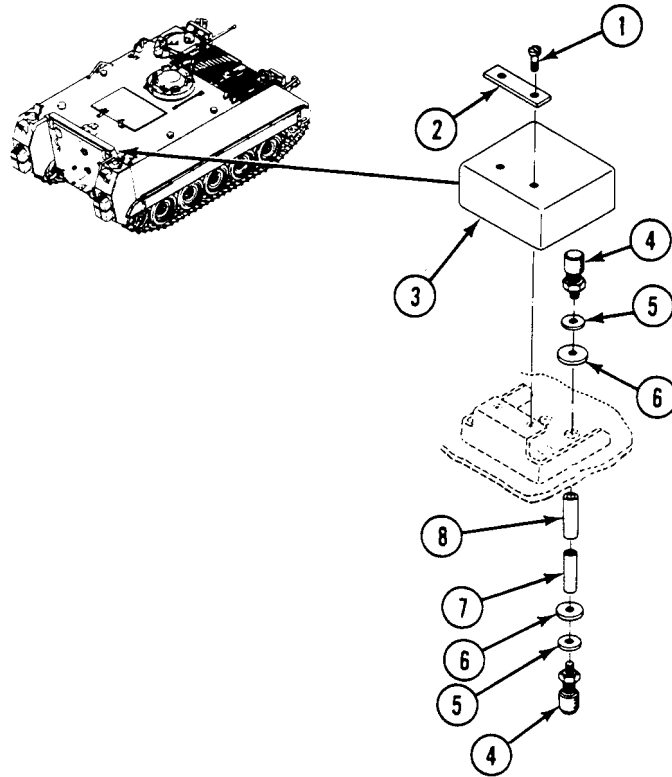
REPLACE TELEPOSTS AND COVER — Continued**0296 00**

1. Remove two screws (1), retainer strip (2), and rubber shield (3) from hull mount.
2. Remove eight teleposts (4), washers (5), and gaskets (6) from four posts (7). Discard gaskets.
3. Remove four posts (7) and insulators (8) from hull.



INSTALLATION

1. Install four insulators (8) and posts (7) in hull.
2. Install eight new gaskets (6), washers (5), and teleposts (4) on each end of four posts (7).
3. Install rubber shield (3) on hull mount. Secure with retainer strip (2) and two screws (1).



FOLLOW-THROUGH STEPS

1. Start engine (see your -10).
2. Raise and lock ramp (see your -10).
3. Stop engine (see your -10).

END OF TASK

REPLACE STOP LIGHT-TAIL LIGHT AND GUARDS (ALL EXCEPT M577A3 AND M1068A3)

0298 00

THIS WORK PACKAGE COVERS:

Removal (page 0298 00-1).
 Installation (page 0298 00-4).

INITIAL SETUP:

Maintenance Level

Unit

References

See your -10

Tools and Special Tools

General Mechanic's Tool Kit (WP 0926 00, Item 65)

Equipment Condition

Engine stopped (see your -10)

Materials/Parts

Gasket

Carrier blocked (see your -10)

Lockwasher (6)

Battery ground strap disconnected

Personnel Required

Unit Mechanic

(WP 0337 00)

REMOVAL

NOTE

Except for number of circuit leads, left and right stop light-tail light and guards are replaced the same way. Tag leads so you will know how to install them.

1. On left stop light-tail light, disconnect circuit 21 lead (1), circuit 22 lead (2), and circuit 24 lead (3) from stop light-tail light (4).
2. On right stop light-tail light, disconnect circuit 24 lead (5) and circuit 23 lead (6) from stop light-tail light (7).

NOTE

To remove antenna support on the M58 only (WP 0602 00). The M58 has only a left antenna support.

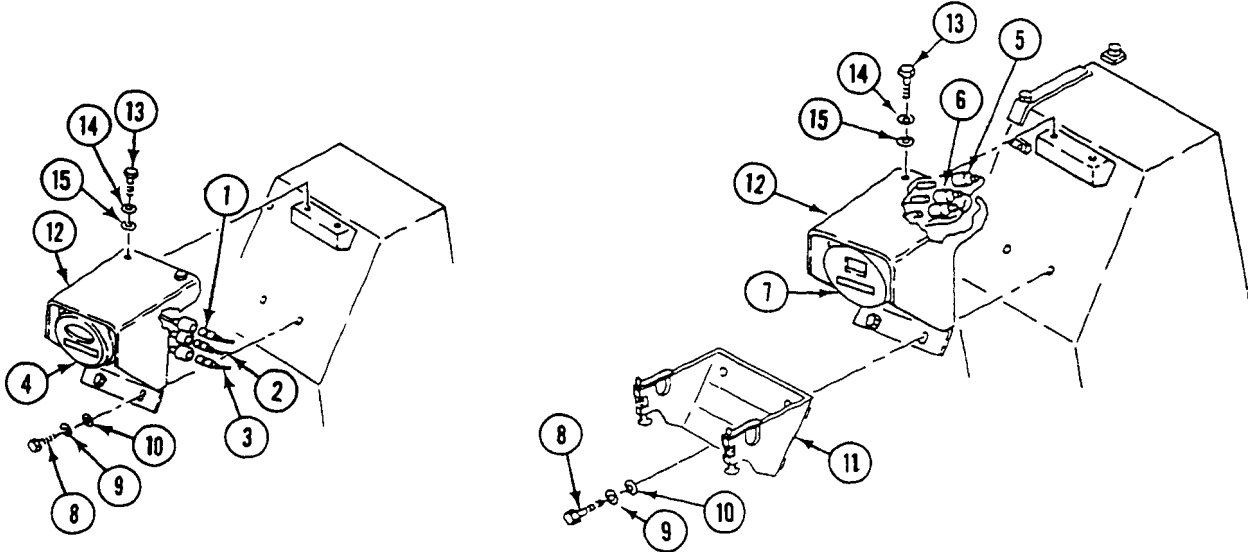
Cable reel holder is only used on the right tank on the M1064A3 and M58.

3. Remove two screws (8), lockwashers (9), washers (10), and cable reel holder (11) (M1064A3 and M58 only) from guard (12) and external fuel tank. Discard lockwashers.

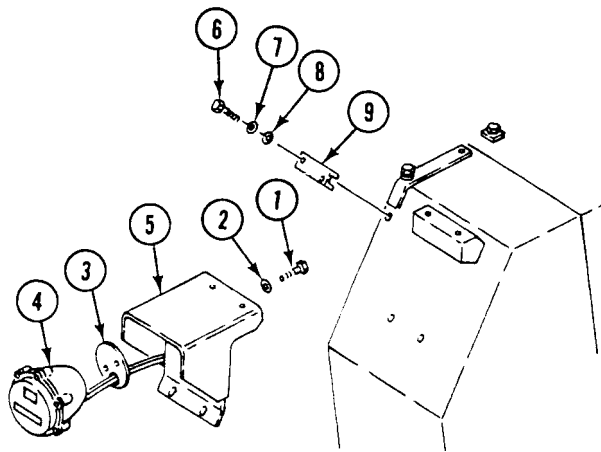
REPLACE STOP LIGHT-TAIL LIGHT AND GUARDS (ALL EXCEPT M577A3 AND M1068A3) — Continued

0298 00

- Remove two screws (13), lockwasher (14), washers (15), and guard (12) with stop light-tail light (4) or (7) from external fuel tank. Discard lockwashers.



- Remove two screws (1), lockwashers (2), gasket (3), and stop light-tail light (4) from guard (5). Discard lockwashers and gasket.
- If needed, remove two screws (6), lockwashers (7), washers (8), and bracket (9) from fuel tank.



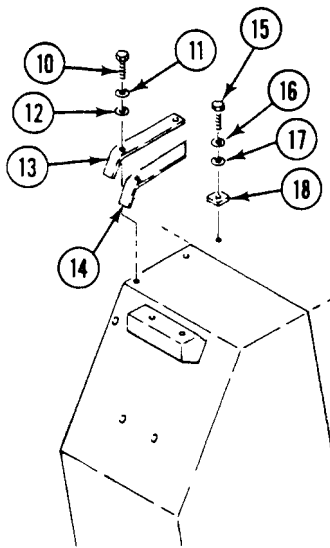
NOTE

Fuel line guard is used on the M1059A3 only.

NOTE

Step 7 is for the right fuel tank. Use same procedures for left fuel tank guards, if required, for M113A3 and M1064A3

7. If needed, remove two screws (10), lockwashers (11), and washers (12), that secure harness bracket (13) and fuel line guard (14) (M1059A3 only), to top of fuel tank. Remove harness bracket and fuel line guard. Discard lockwashers.
8. If needed, remove screw (15), lockwasher (16), washer (17), and guard (18) from carrier top deck.



REPLACE STOP LIGHT-TAIL LIGHT AND GUARDS (ALL EXCEPT M577A3 AND M1068A3) — Continued

0298 00

INSTALLATION**NOTE**

■ To install antenna support on the M58, see (WP 0602 00). The M58 has only a left antenna support.

1. If removed, place guard (18) on top deck. Secure with screw (15), new lockwasher (16), and washer (17).

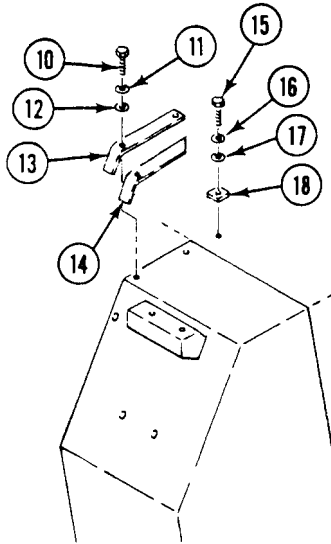
NOTE

Fuel line guard is used on the M1059A3 only.

NOTE

■ Step 2 is for the right fuel tank. Use same procedures for left fuel tank guards, if required, for M113A3 and M1064A3.

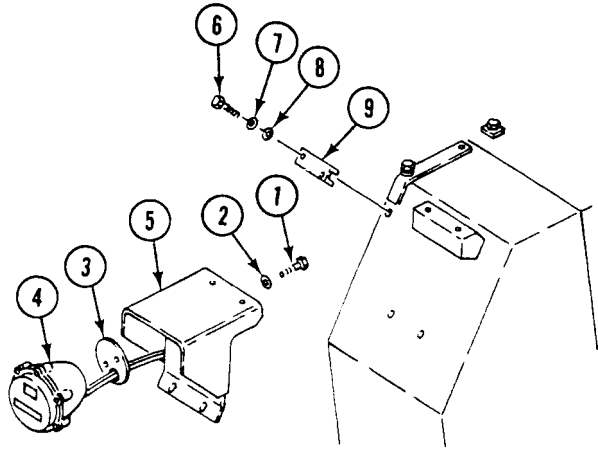
2. If removed, replace harness bracket (13) on top of fuel tank. Install fuel line guard (14) (M1059A3 only) over fuel lines and align holes of guard and bracket. Secure with two screws (10), new lockwashers (11), and washers (12).



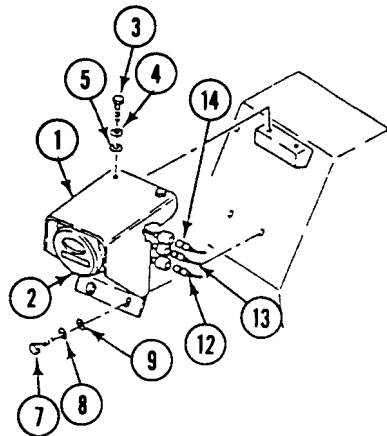
REPLACE STOP LIGHT-TAIL LIGHT AND GUARDS (ALL EXCEPT M577A3 AND M1068A3) — Continued

0298 00

3. If removed, install bracket (9) on fuel tank. Secure with two screws (6), new lockwashers (7), and washers (8).
4. Place new gasket (3) and stop light-tail light (4) on guard (5). Secure with two screws (1) and two new lockwashers (2).



5. Place guard (1) with stop light-tail light (2) on fuel tank. Secure with two screws (3), new lockwashers (4), and washers (5).



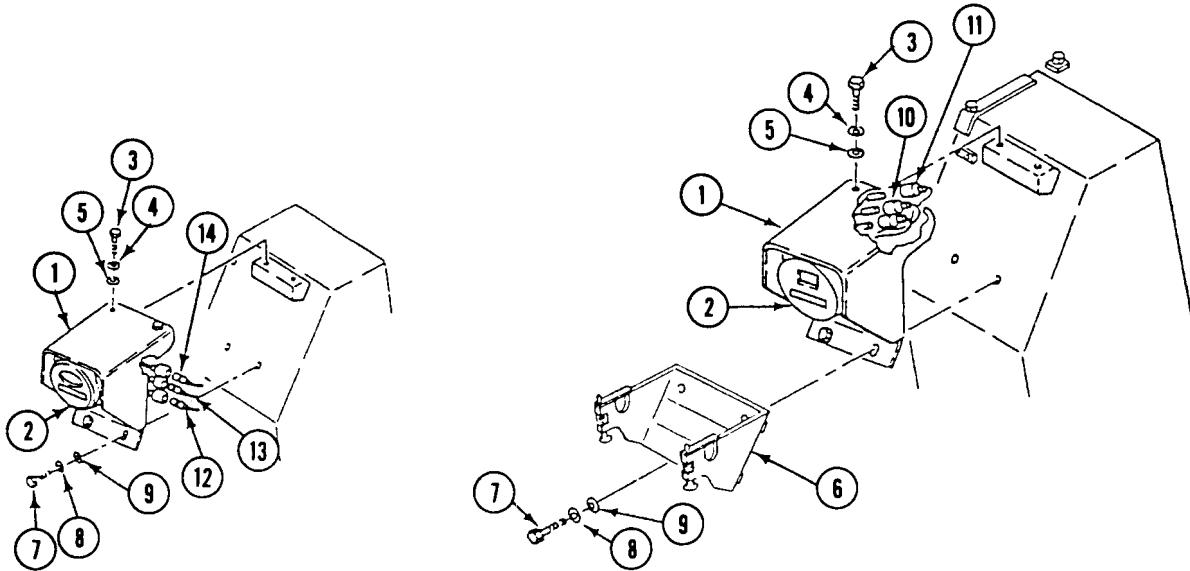
REPLACE STOP LIGHT-TAIL LIGHT AND GUARDS (ALL EXCEPT M577A3 AND M1068A3) — Continued

0298 00

NOTE

■ Cable reel holder is only used on the right tank on the M1064A3 and M58.

- 6. Place cable reel holder (6) (M1064A3 and M58 only) on bottom of guard. Secure with two screws (7), new lockwashers (8), and washers (9).
7. On right stop light-tail light, connect circuit 23 lead (10) and circuit 24 lead (11) to stop light-tail light (2).
8. On left stop light-tail light, connect circuit 24 lead (12), circuit 22 lead (13), and circuit 21 lead (14) to stop light-tail light (2).


FOLLOW-THROUGH STEPS

- 1. Connect battery ground strap (WP 0337 00).
2. Turn MASTER SWITCH ON (see your -10).
3. Operate main light switches to check that left and right stop light-tail lights work properly (see your -10).
4. Turn all switches OFF (see your -10).

END OF TASK

REPLACE LEFT STOP LIGHT-TAIL LIGHT (M577A3 AND M1068A3 ONLY)

0299 00

THIS WORK PACKAGE COVERS:

Removal (page 0299 00-1).
 Installation (page 0299 00-2).

INITIAL SETUP:

Maintenance Level
 Unit

References
 See your -10

Tools and Special Tools
 General Mechanic's Tool Kit (WP 0926 00, Item 65)

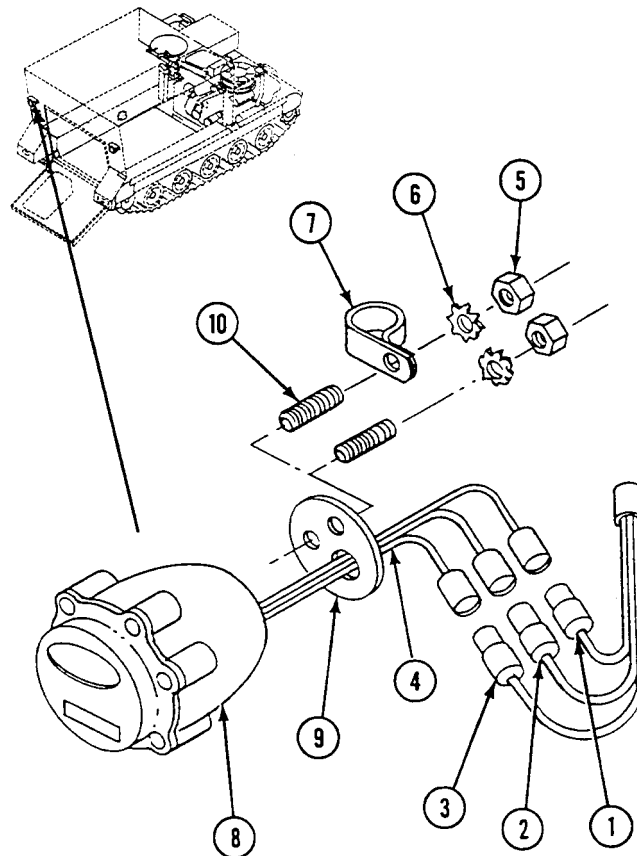
Equipment Condition

Materials/Parts
 Gasket
 Lockwasher (2)
Personnel Required
 Unit Mechanic

Engine stopped (see your -10)
 Carrier blocked (see your -10)
 Ramp lowered (see your -10)
 Battery ground lead disconnected (WP 0338 00)

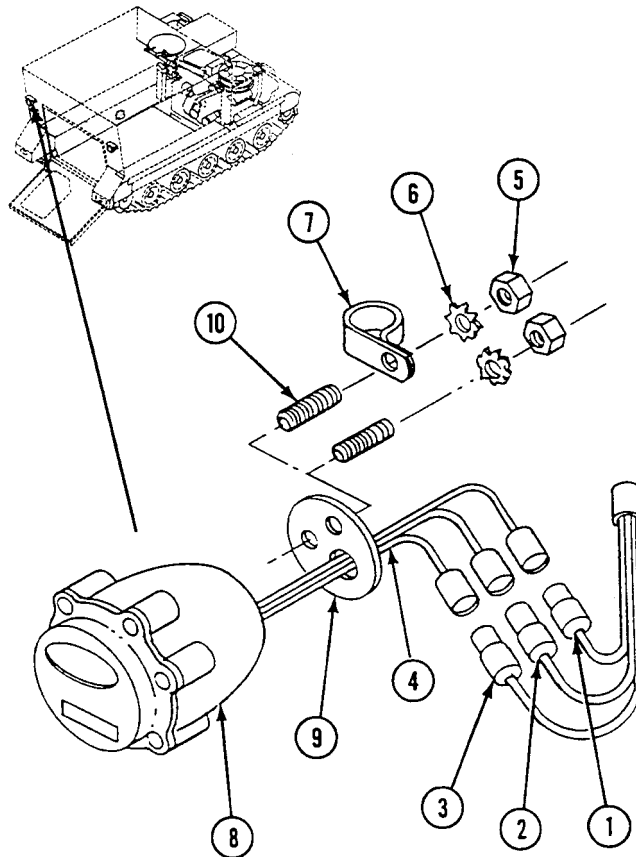
REMOVAL

1. Disconnect circuit 21 lead (1), circuit 22 lead (2), and circuit 24 (3) lead from tail light leads (4).
2. Remove two nuts (5), lockwashers (6), clamp (7), stop light-tail light (8), and gasket (9) from carrier hull. Discard gasket and lockwashers.
3. If needed, remove two studs (10) from rear of stop light-tail light (8).



INSTALLATION

1. If removed, install two studs (10) in rear of stop light-tail light (8).
2. Place new gasket (9), stop light-tail light (8), and clamp (7) on carrier hull. Secure with two new lockwashers (6) and two nuts (5).
3. Connect circuit 24 lead (3), circuit 22 lead (2), and circuit 21 lead (1) to tail light leads (4).

**FOLLOW-THROUGH STEPS**

1. Connect battery ground lead (WP 0338 00).
2. Turn MASTER SWITCH ON (see your -10).
3. Operate main light switches to see if left stop light-tail light is operable (see your -10). Turn light switches OFF.
4. Start engine (see your -10).
5. Raise and lock ramp (see your -10).
6. Stop engine (see your -10).

END OF TASK

REPAIR LEFT STOP LIGHT-TAIL LIGHT

0300 00

THIS WORK PACKAGE COVERS:

Disassembly (page 0300 00-1).
 Assembly (page 0300 00-2).

INITIAL SETUP:

Maintenance Level

Unit

Personnel Required

Unit Mechanic

Tools and Special Tools

General Mechanic's Tool Kit (WP 0926 00, Item 65)

References

See your -10

Materials/Parts

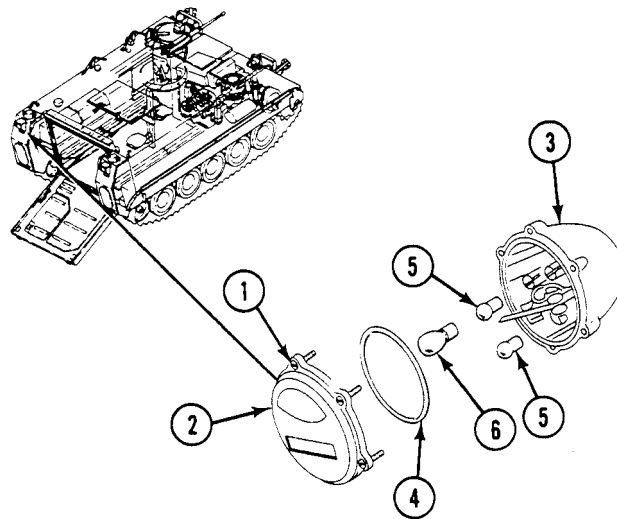
Preformed packing

Equipment Condition

Engine stopped (see your -10)
 Carrier blocked (see your -10)

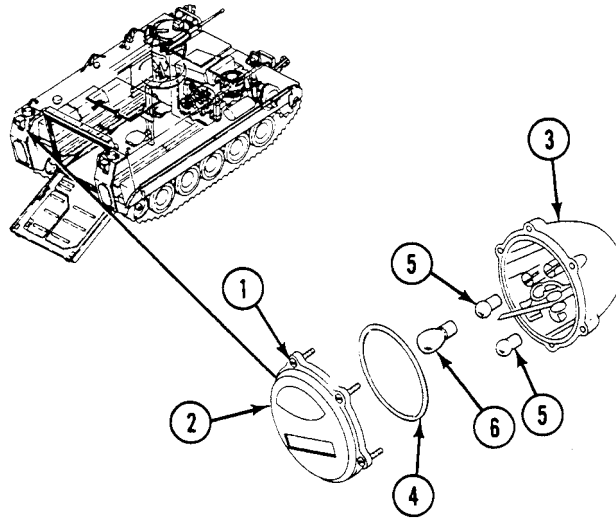
DISASSEMBLY

1. Loosen six screws (1). Remove door (2) from light body (3).
2. Remove preformed packing (4) from door (2). Discard packing.
3. Push in on two small bulbs (5) and one large bulb (6). Turn each bulb to the left and remove from light body (3).



ASSEMBLY

1. Install two small bulbs (5) and one large bulb (6) in light body (3). Push in and turn to the right to secure.
2. Place new preformed packing (4) on door (2).
3. Place door (2) on light body (3). Secure with six screws (1).

**END OF TASK**

REPLACE RIGHT STOP LIGHT-TAIL LIGHT (M577A3 ONLY)

0301 00

THIS WORK PACKAGE COVERS:

Removal (page 0301 00-1).
 Installation (page 0301 00-2).

INITIAL SETUP:

Maintenance Level

Unit

Personnel Required

Unit Mechanic

Tools and Special Tools

General Mechanic's Tool Kit (WP 0926 00, Item 65)

References

See your -10

Materials/Parts

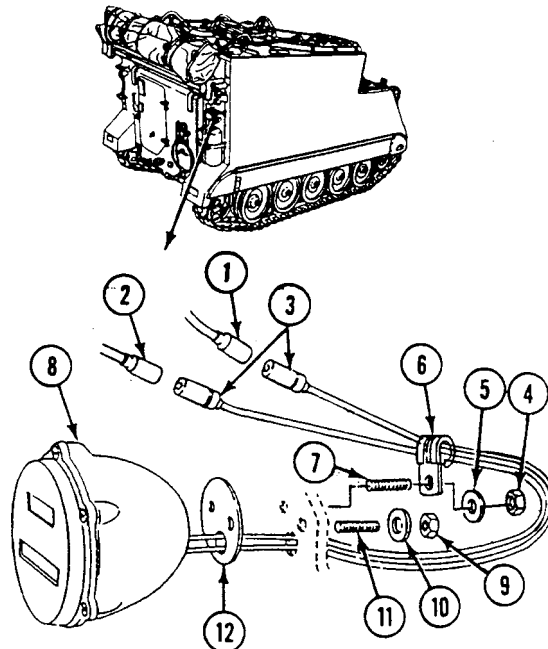
Gasket
 Lockwasher
 Lockwasher

Equipment Condition

Engine stopped (see your -10)
 Carrier blocked (see your -10)
 Ramp lowered (see your -10)
 Battery ground lead disconnected (WP 0338 00)

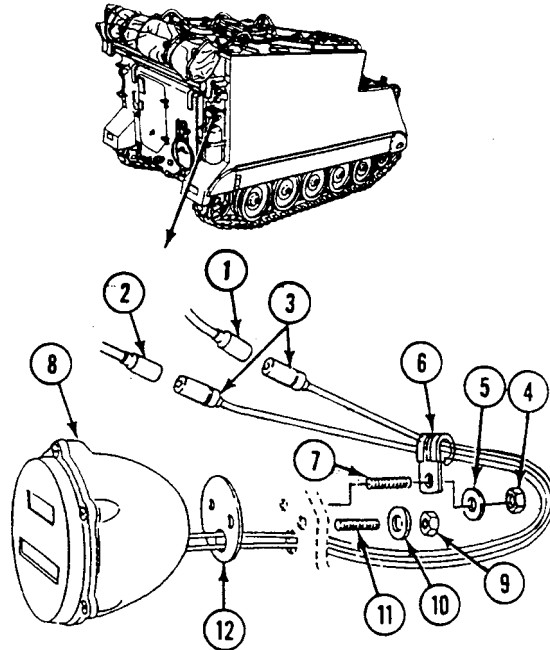
REMOVAL

1. Disconnect circuit 23 lead (1) and circuit 24 lead (2) from stop light-tail light leads (3).
2. Remove nut (4), lockwasher (5), and clamp (6) from left stud (7) on stop light-tail light (8). Remove clamp from stop light-tail light leads (3). Discard lockwasher.
3. Remove nut (9) and lockwasher (10) from right stud (11) and remove stop light-tail light (8) and gasket (12) from carrier hull. Discard gasket and lockwasher.
4. If needed, remove two studs (7) and (11) from rear of stop light-tail light (8).



INSTALLATION

1. If removed, install two studs (7) and (11) in rear of stop light-tail light (8).
2. Install new gasket (12) and stop light-tail light (8) on carrier hull. Secure right stud (11) with new lockwasher (10) and nut (9).
3. Install clamp (6) on stop light-tail light leads (3) and secure to left stud (7) with new lockwasher (5) and nut (4).
4. Connect circuit 24 lead (2) and circuit 23 lead (1) to stop light-tail light leads (3).

**FOLLOW-THROUGH STEPS**

1. Connect battery ground lead (WP 0338 00).
2. Turn MASTER SWITCH ON (see your -10).
3. Operate main light switches to see if right stop light-tail light is operable (see your -10). Turn light switches OFF.
4. Start engine (see your -10).
5. Raise and lock ramp (see your -10).
6. Stop engine (see your -10).

END OF TASK

REPAIR RIGHT STOP LIGHT-TAIL LIGHT

0302 00

THIS WORK PACKAGE COVERS:

Disassembly (page 0302 00-1).
 Assembly (page 0302 00-2).

INITIAL SETUP:

Maintenance Level

Unit

Personnel Required

Unit Mechanic

Tools and Special Tools

General Mechanic's Tool Kit (WP 0926 00, Item 65)

References

See your -10

Materials/Parts

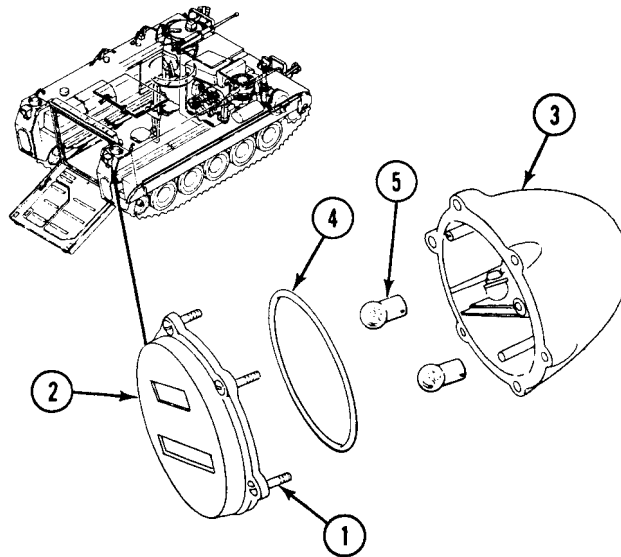
Preformed packing

Equipment Condition

Engine stopped (see your -10)
 Carrier blocked (see your -10)

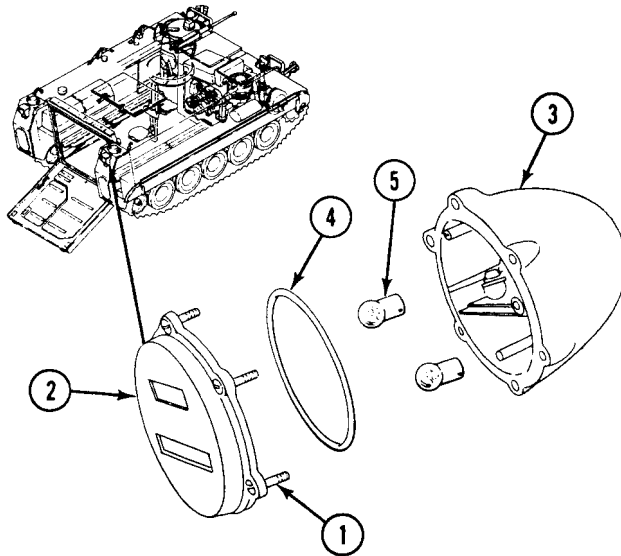
DISASSEMBLY

1. Loosen six screws (1). Remove door (2) from light body (3).
2. Remove preformed packing (4) from door (2). Discard packing.
3. Push in on two bulbs (5) and turn to the left. Remove bulbs from light body (3).



ASSEMBLY

1. Install two bulbs (5) in light body (3). Push in and turn bulbs to the right to secure.
2. Place new preformed packing (4) on door (2).
3. Place door (2) on light body (3). Secure with six screws (1).

**END OF TASK**

REPLACE SERVICE HEADLIGHTS

0303 00

THIS WORK PACKAGE COVERS:

Removal (page 0303 00-1).
 Installation (page 0303 00-2).

INITIAL SETUP:

Maintenance Level

Unit

References

TM 9-2350-277-10

Tools and Special Tools

General Mechanic's Tool Kit (WP 0926 00, Item 65)

Equipment Condition

Engine stopped (TM 9-2350-277-10)

Carrier blocked (TM 9-2350-277-10)

Battery ground strap disconnected (WP 0337 00 or
 WP 0338 00)

Materials/Parts

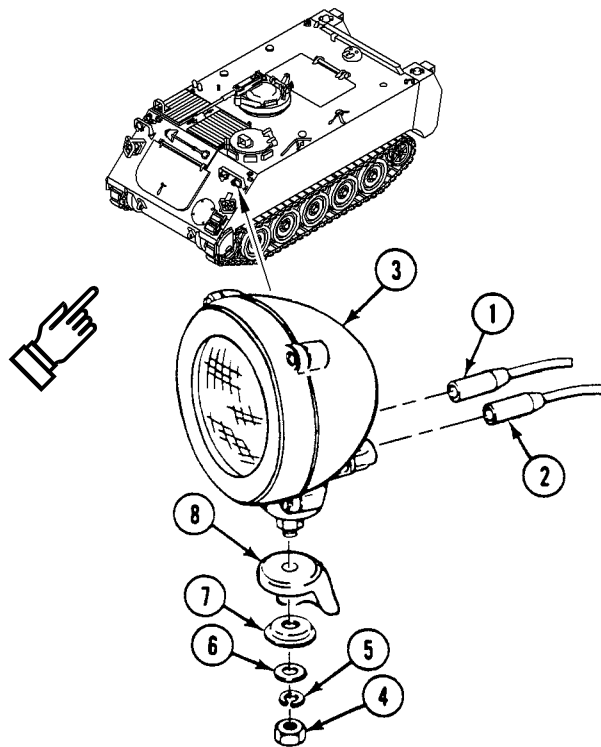
Lockwasher

Personnel Required

Mechanic

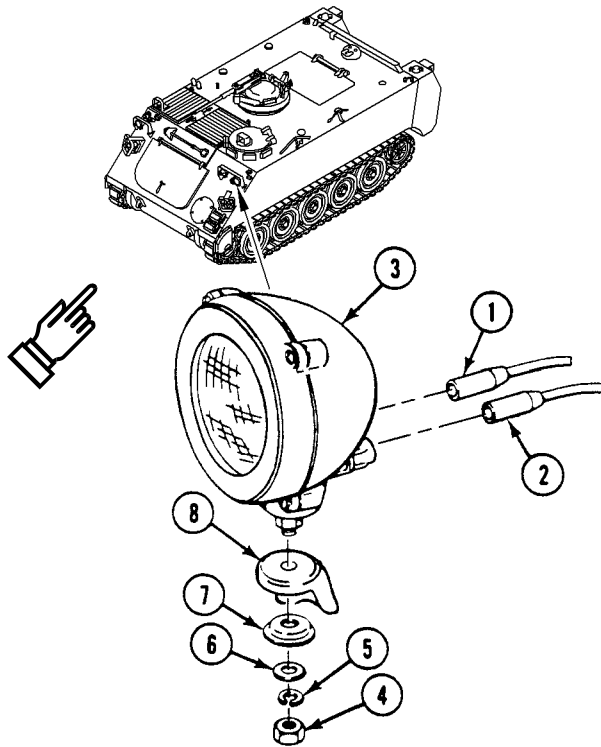
REMOVAL

1. Disconnect circuit 17 lead (1) and circuit 18 lead (2) from rear of service headlight (3).
2. Remove nut (5), lockwasher (4), small bevel washer (6), large bevel washer (7), and headlight (1) from hull bracket (8). Discard lockwasher.



INSTALLATION

1. Place headlight (1) and large bevel washer (7) on hull bracket (8). Secure with small bevel washer (6), new lockwasher (4), and nut (5).
2. Connect circuit 18 lead (2) and circuit 17 lead (1) to rear of service headlight (3).

**FOLLOW-THROUGH STEPS**

1. Connect battery ground strap (WP 0337 00 or WP 0338 00).
2. Turn MASTER SWITCH to ON. See TM 9-2350-277-10.
3. Turn on service headlights to check that they work right. See TM 9-2350-277-10.
4. Turn all switches OFF. See TM 9-2350-277-10.

END OF TASK

REPAIR SERVICE HEADLIGHTS

0304 00

THIS WORK PACKAGE COVERS:

- Inspection (page 0304 00-1).
 - Disassembly (page 0304 00-2).
 - Assembly (page 0304 00-3).
-

INITIAL SETUP:

Maintenance Level

Unit

Personnel Required

Mechanic

Tools and Special Tools

General Mechanic's Tool Kit (WP 0926 00, Item 65)

References

TM 9-2350-277-10

Materials/Parts

Gasket

Lockwasher

Preformed packing

Preformed packing

Equipment Condition

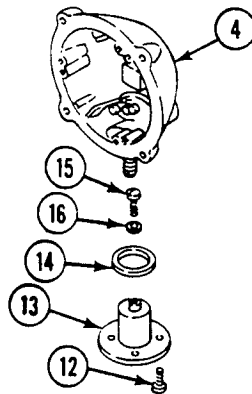
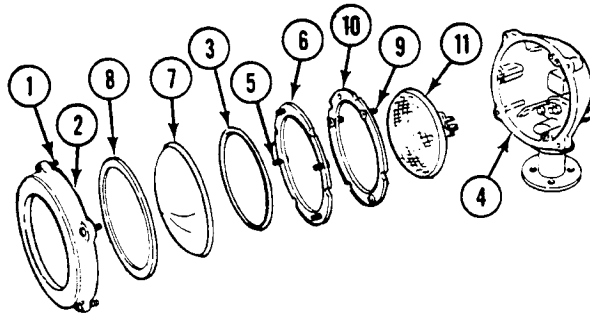
Service headlight removed (WP 0303 00)

INSPECTION

1. Check lens. Replace cracked or chipped lens.
2. Check lamp unit. See troubleshooting (WP 0031 00). Replace bad lamp unit.
3. Check door, body, and retainer plates. Replace headlight if any part is missing or damaged (WP 0303 00).

DISASSEMBLY

1. Loosen four screws (1). Remove door (2) and preformed packing (3) from headlight body (4). Discard packing.
2. Loosen four screws (5). Remove retainer plate (6), lens (7), and gasket (8) from door (2). Discard gasket.
3. Loosen three screws (9). Remove retainer plate (10) from body (4). Pull lamp unit (11) from body.
4. Remove four screws (12), mount (13), and preformed packing (14) from body (4). Discard preformed packing.
5. Remove screw (15) and lockwasher (16) from mount (13). Discard lockwasher.



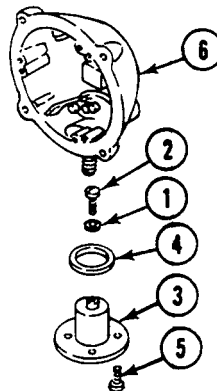
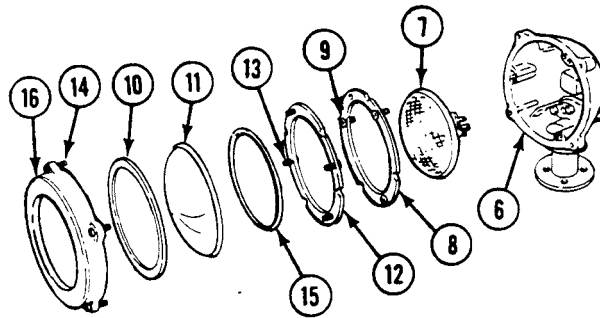
ASSEMBLY

1. Install new lockwasher (1) and screw (2) in mount (3).

CAUTION

Use care when tightening four mount screws. Do not overtighten. Overtightening the screws will strip the housing threads.

2. Install new preformed packing (4), mount (3), and four screws (5) in body (6).
3. Connect lamp unit (7) to plug in lamp body (6) with word FOG at the bottom.
4. Install lamp unit (7), retainer plate (8), and three screws (9) in body (6).
5. Install new gasket (10), lens (11), retainer plate (12), and four screws (13) in door (14).
6. Install new preformed packing (15), door (14), and four screws (16) on body (6).



FOLLOW-THROUGH STEPS

1. Install service headlight (WP 0303 00).

END OF TASK

REPLACE BLACKOUT HEADLIGHT

0305 00

THIS WORK PACKAGE COVERS:

Removal (page 0305 00-1).
 Installation (page 0305 00-2).

INITIAL SETUP:

Maintenance Level

Unit

References

See your -10

Tools and Special Tools

General Mechanic's Tool Kit (WP 0926 00, Item 65)

Equipment Condition

Engine stopped (see your -10)

Carrier blocked (see your -10)

Battery ground strap disconnected (WP 0337 00),
 (WP 0338 00), or (WP 0339 00)

Materials/Parts

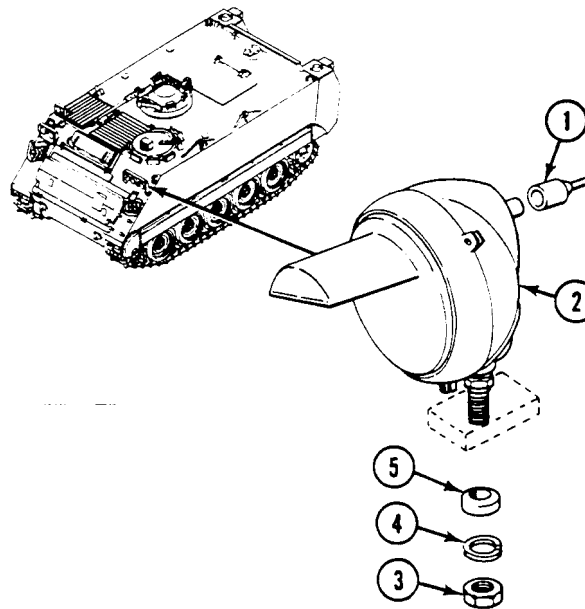
Lockwasher

Personnel Required

Unit Mechanic

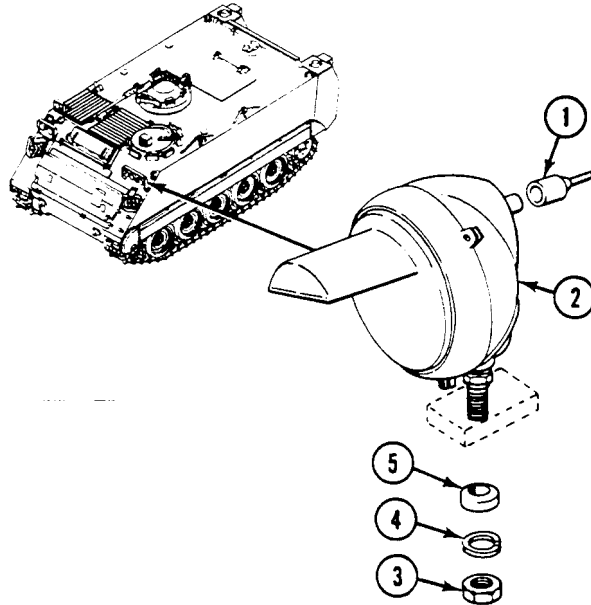
REMOVAL

1. Disconnect circuit 19 lead (1) from rear of blackout headlight (2).
2. Remove nut (3), lockwasher (4), finishing washer (5), and blackout headlight (2) from hull bracket. Discard lockwasher.
3. Check lead and connector. Replace frayed, broken, or cracked parts (page 0382 00-1).



INSTALLATION

1. Install blackout headlight (2), finishing washer (5), new lockwasher (4), and nut (3) on hull bracket.
2. Connect circuit 19 lead (1) to rear of blackout headlight (2).

**FOLLOW-THROUGH STEPS**

1. Connect battery ground strap (WP 0337 00), (WP 0338 00), or (WP 0339 00).
2. Turn MASTER SWITCH to ON (see your -10).
3. Turn blackout headlight switch on to check that headlight works right (see your -10).
4. Turn all switches to OFF (see your -10).

END OF TASK

REPAIR BLACKOUT HEADLIGHT

0306 00

THIS WORK PACKAGE COVERS:

Disassembly (page 0306 00-1).
 Assembly (page 0306 00-2).

INITIAL SETUP:

Maintenance Level

Unit

Personnel Required

Unit Mechanic

Tools and Special Tools

General Mechanic's Tool Kit (WP 0926 00, Item 65)

References

See your -10

Materials/Parts

Lamp unit
 Retaining clip (3)

Equipment Condition

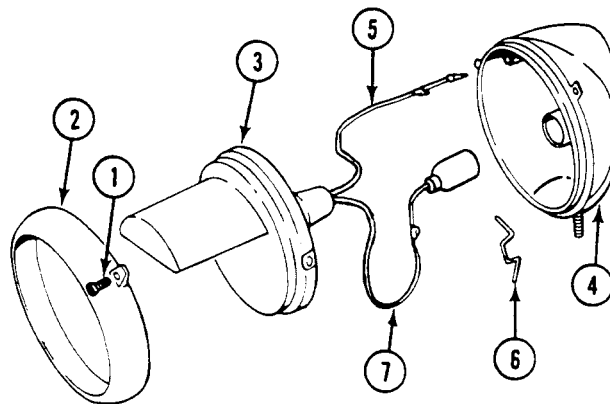
Engine stopped (see your -10)
 Carrier blocked (see your -10)

DISASSEMBLY

NOTE

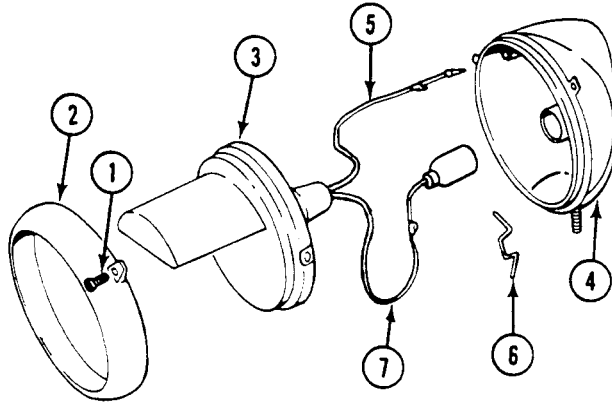
Check door and body. Replace blackout headlight if any part is missing or damaged (WP 0305 00).

1. Loosen three screws (1). Pull door (2) with lamp unit (3) away from light body (4).
2. Disconnect ground lead (5) from body (4).
3. Remove three retaining clips (6) and lamp unit (3) from door (2). Discard lamp unit and clips.



ASSEMBLY

1. Install new lamp unit (3) in door (2). Secure with three new retaining clips (6).
2. Connect positive lead (7) and ground lead (5) to light body (4).
3. Install door (2) with lamp unit (3) and three screws (1) on body (4).

**END OF TASK**

REPLACE BLACKOUT MARKER LIGHT

0307 00

THIS WORK PACKAGE COVERS:

Removal (page 0307 00-1).
 Installation (page 0307 00-2).

INITIAL SETUP:

Maintenance Level

Unit

References

See your -10

Tools and Special Tools

General Mechanic's Tool Kit (WP 0926 00, Item 65)

Equipment Condition

Engine stopped (see your -10)

Carrier blocked (see your -10)

Materials/Parts

Lockwasher

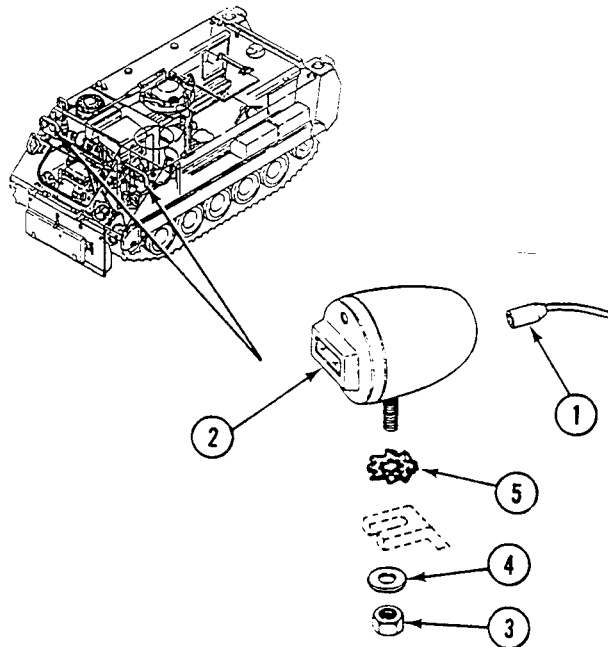
Battery ground strap disconnected (WP 0337 00),
 (WP 0338 00), or (WP 0339 00)

Personnel Required

Unit Mechanic

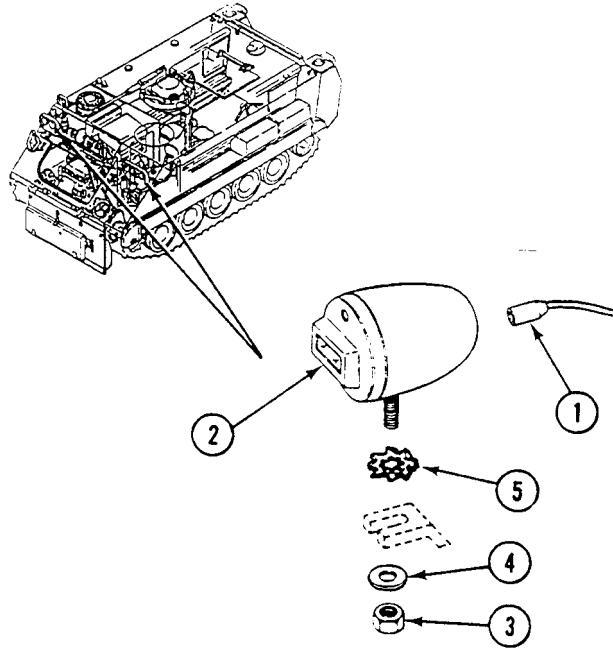
REMOVAL

1. Disconnect circuit 20 lead (1) from rear of blackout marker light (2).
2. Remove nut (3), washer (4), lockwasher (5), and marker light (2) from hull bracket. Discard lockwasher.



INSTALLATION

1. Install blackout marker light (2), new lockwasher (5), washer (4), and nut (3) on hull bracket.
2. Connect circuit 20 lead (1) to rear of marker light (2).

**FOLLOW-THROUGH STEPS**

1. Connect battery ground strap (WP 0337 00), (WP 0338 00), or (WP 0339 00).
2. Turn MASTER SWITCH ON (see your -10).
3. Turn blackout marker light switch on to check that light works right (see your -10).
4. Turn all switches OFF (see your -10).

END OF TASK

REPAIR BLACKOUT MARKER LIGHT

0308 00

THIS WORK PACKAGE COVERS:

Disassembly (page 0308 00-1).
 Assembly (page 0308 00-2).

INITIAL SETUP:

Maintenance Level

Unit

Personnel Required

Unit Mechanic

Tools and Special Tools

General Mechanic's Tool Kit (WP 0926 00, Item 65)

References

See your -10

Materials/Parts

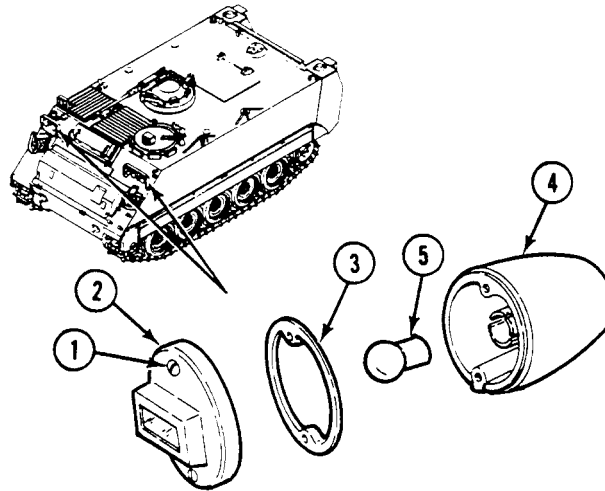
Gasket
 Light bulb (as needed)

Equipment Condition

Engine stopped (see your -10)
 Carrier blocked (see your -10)

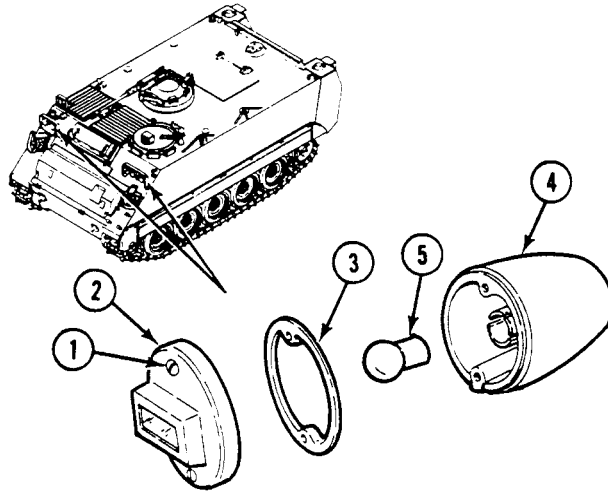
DISASSEMBLY

1. Loosen two screws (1). Remove door (2) and gasket (3) from light body (4). Discard gasket.
2. Push in on bulb (5) and turn to the left. Remove bulb from body (4).



ASSEMBLY

1. Place bulb (5) in light body (4). Push in on bulb and turn to the right to secure.
2. Install new gasket (3), door (2), and two screws (1) on body (4).

**END OF TASK**

REPLACE DOME LIGHT (ALL EXCEPT M577A3 AND M1068A3)

0309 00

THIS WORK PACKAGE COVERS:

Removal (page 0309 00-1).
 Installation (page 0309 00-2).

INITIAL SETUP:

Maintenance Level

Unit

Personnel Required

Unit Mechanic

Tools and Special Tools

General Mechanic's Tool Kit (WP 0926 00, Item 65)

References

See your -10

Materials/Parts

Lockwasher (4)
 Locknut (4)

Equipment Condition

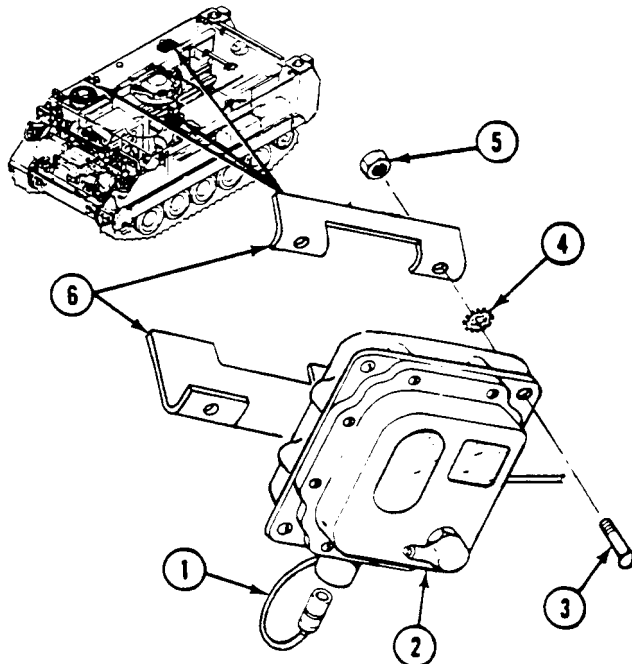
Engine stopped (see your -10)
 Carrier blocked (see your -10)
 Battery ground strap disconnected (WP 0337 00),
 (WP 0338 00), or (WP 0339 00)

REMOVAL

NOTE

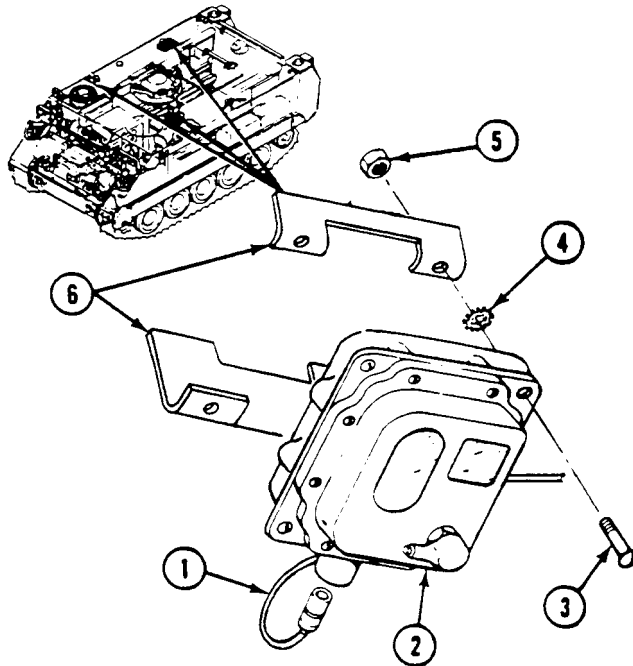
All dome lights are replaced the same way.

1. Disconnect circuit 38 lead (1) from rear of dome light (2).
2. Remove four screws (3), lockwashers (4), locknuts (5), and dome light (2) from two mount brackets (6). Discard lockwashers and locknuts.



INSTALLATION

1. Place dome light (2) on two mount brackets (6). Slide four new lockwashers (4), one at a time, between dome light and mount bracket (5) and secure with screws (3) and new locknuts (5).
2. Connect circuit 38 lead (1) to rear of dome light (2).

**FOLLOW-THROUGH STEPS**

1. Connect battery ground strap (WP 0337 00), (WP 0338 00), or (WP 0339 00).
2. Turn MASTER SWITCH ON (see your -10).
3. Turn dome light switch on and off to check that light works (see your -10).
4. Turn MASTER SWITCH OFF (see your -10).

END OF TASK

REPAIR DOME LIGHT (ALL EXCEPT M577A3 AND M1068A3)

0310 00

THIS WORK PACKAGE COVERS:

Disassembly (page 0310 00-1).
 Assembly (page 0310 00-3).

INITIAL SETUP:

Maintenance Level

Unit

Personnel Required

Unit Mechanic

Tools and Special Tools

General Mechanic's Tool Kit (WP 0926 00, Item 65)

References

See your -10

Materials/Parts

Seal
 Bulb
 Bulb

Equipment Condition

Engine stopped (see your -10)
 Carrier blocked (see your -10)
 Dome light removed (WP 0309 00)

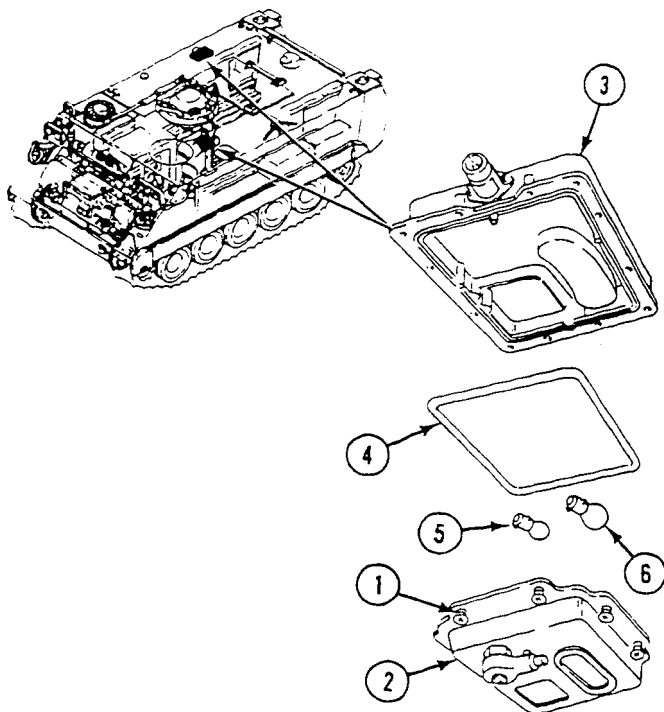
DISASSEMBLY

NOTE

If dome light door mounting screw separates from door, replace retaining clip.

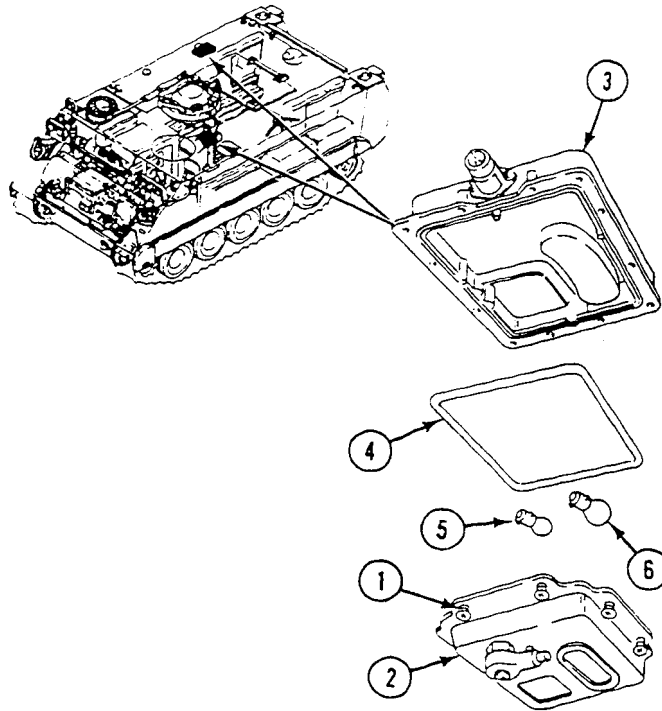
1. Remove eight screws (1) and door (2) from dome light body (3).

2. Remove seal (4) from door (2).
3. Push in on light bulb (5) and blackout bulb (6), and turn to the left. Remove and discard two bulbs.



ASSEMBLY

1. Install new blackout bulb (6) and new light bulb (5) in door (2). Push in and turn bulbs to the right to secure.
2. Install new seal (4) on door (2).
3. Install door (2) on dome light body (3). Secure with eight screws (1).

**FOLLOW-THROUGH STEPS**

1. Install dome light (WP 0309 00).

END OF TASK

REPLACE DOME LIGHT (M577A3 AND M1068A3 ONLY)

0311 00

THIS WORK PACKAGE COVERS:

Removal (page 0311 00-1).
 Installation (page 0311 00-3).

INITIAL SETUP:

Maintenance Level

Unit

Personnel Required

Unit Mechanic

Tools and Special Tools

General Mechanic's Tool Kit (WP 0926 00, Item 65)

References

See your -10

Materials/Parts

Lockwasher (4)

Equipment Condition

Engine stopped (see your -10)
 Carrier blocked (see your -10)

REMOVAL

NOTE

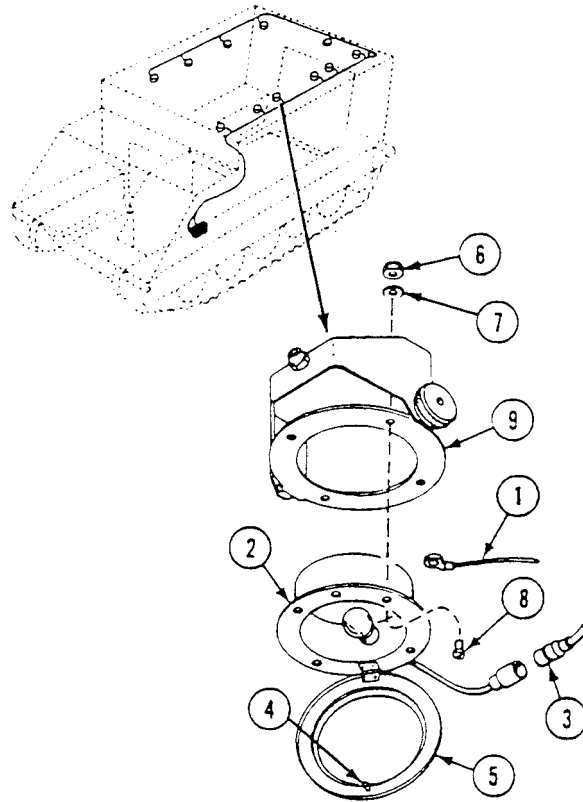
There are nine dome lights and two blackout lights in the M577A3 and M1068A3. All lights are replaced the same way.

1. Disconnect ground lead (1) from dome light (2).
2. Disconnect lead (3) from dome light (2).

NOTE

Disconnect circuit 38C lead from dome lights or circuit 38B lead from blackout lights.

3. Loosen screw (4). Lower door (5) on dome light (2).
4. Remove four nuts (6), lockwashers (7), screws (8), and light (2) from mount (9). Discard lockwashers.



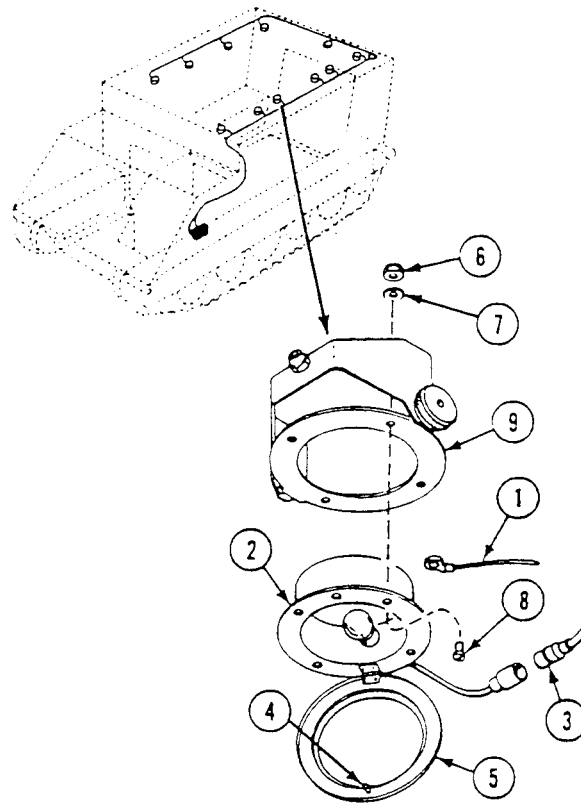
INSTALLATION

1. Place light (2) on mount (9). Secure with four screws (8), new lockwashers (7), and nuts (6).
2. Close door (5) on light (2). Secure with screw (4).
3. Connect lead (3) to light (2).

NOTE

Connect circuit 38C lead to dome lights or circuit 38B lead to blackout lights.

4. Connect ground lead (1) to dome light (2).

**FOLLOW-THROUGH STEPS**

1. Turn MASTER SWITCH ON (see your -10).
2. Operate dome light or blackout light to check that light operates properly (see your -10).
3. Turn all switches OFF (see your -10).

END OF TASK

REPAIR DOME LIGHT AND MOUNT (M577A3 AND M1068A3 ONLY)

0312 00

THIS WORK PACKAGE COVERS:

Disassembly (page 0312 00-1).
 Assembly (page 0312 00-3).

INITIAL SETUP:

Maintenance Level

Unit

Personnel Required

Unit Mechanic

Tools and Special Tools

General Mechanic's Tool Kit (WP 0926 00, Item 65)

References

See your -10

Materials/Parts

Sealing Compound (WP 0928 00, Item 53)
 Locknut (6)

Equipment Condition

Engine stopped (see your -10)
 Carrier blocked (see your -10)
 Dome light removed (WP 0311 00)

DISASSEMBLY

1. Inspect dome light and dome light mount as follows:
 - a. Check lamp (4). Replace burned-out or cracked lamp.
 - b. Check lens (1). Replace cracked or chipped lens.
 - c. Check seal (3) and mounts. Replace cut, cracked, or hard seal and mounts.
 - d. Check plate (10) and bracket (11). Replace any cracked or deformed parts.
 - e. Check threaded parts. Remove burrs. Replace parts that have stripped threads.

2. Disassemble dome light as follows:

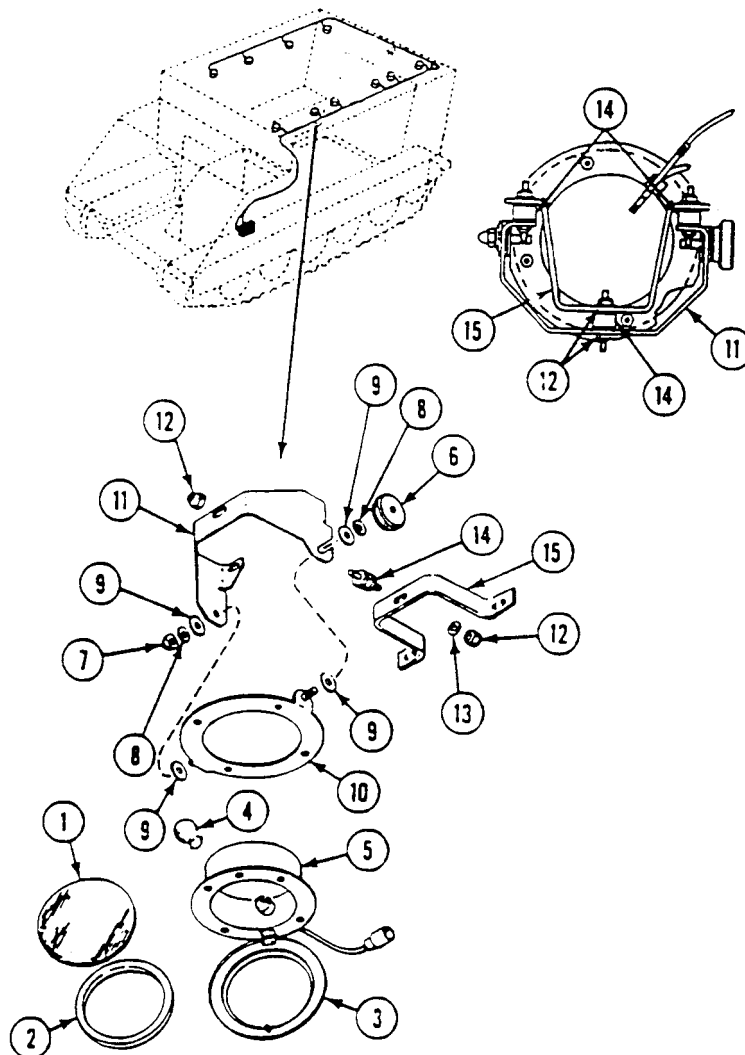
- a. Remove lens (1) and seal (2) from light door (3).
- b. Push in and turn lamp (4) to the left. Remove lamp from light body (5).

NOTE

Disassemble and assemble dome lights and blackout lights the same way. Lens in dome light is clear. Lens in blackout light is dark (nine dome lights, two blackout lights).

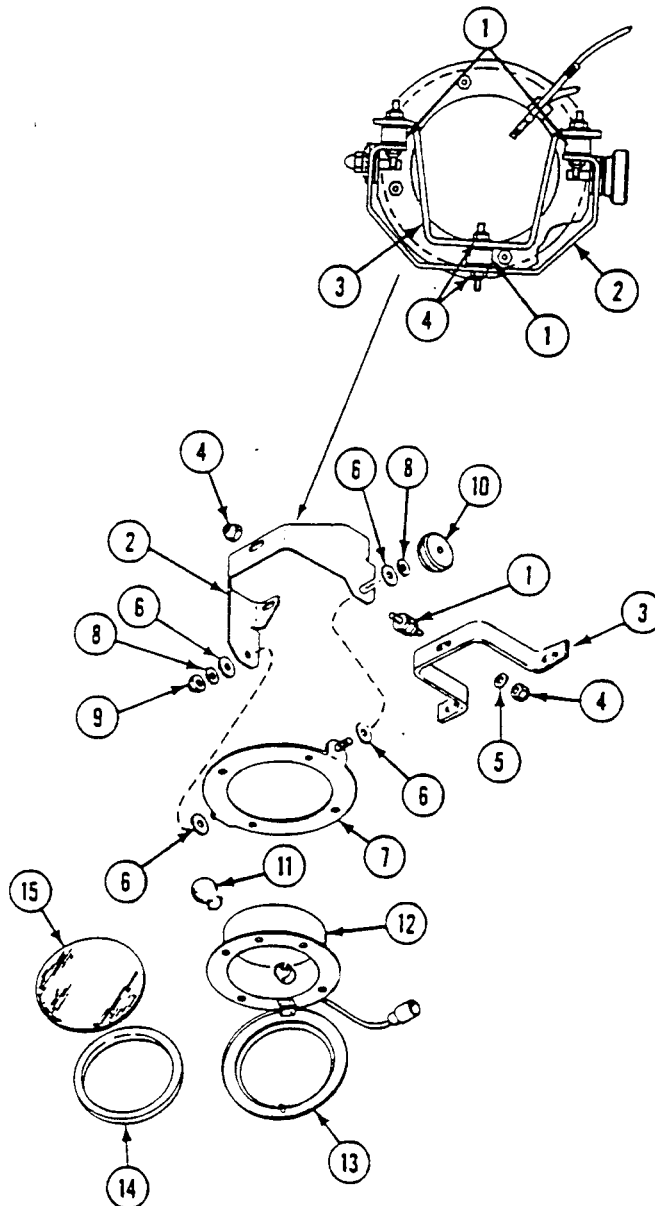
3. Disassemble dome light mount as follows:

- a. Remove knob (6), nut (7), two small washers (8), two large gaskets (9), and mount plate (10) from bracket (11).
- b. Remove two large gaskets (9) from plate (10).
- c. Remove six locknuts (12), three washers (13), mount (14), and bracket (11) from hull mounts (15). Discard locknuts.



ASSEMBLY

1. Assemble dome light mount as follows:
 - a. Install three mounts (1) between bracket (2) and hull mount (3). Secure with six new locknuts (4) and three washers (5).
 - b. Place two large gaskets (6) on mount plate (7). Install plate and large gaskets on bracket (2). Secure with small washers (8), nut (9), and knob (10).
2. Assemble dome light as follows:
 - a. Install lamp (11) in light body (12). Push in and turn to the right to secure lamp.
 - b. Apply sealing compound to inside of door (13). Install seal (14) and lens (15) on door.



FOLLOW-THROUGH STEPS

1. Install dome light (WP 0311 00).

END OF TASK

REPLACE DOME LIGHT LENS (ALL EXCEPT M577A3 AND M1068A3)

0313 00

THIS WORK PACKAGE COVERS:

Removal (page 0313 00-1).
 Installation (page 0313 00-3).

INITIAL SETUP:

Maintenance Level

Unit

References

See your -10

Tools and Special Tools

General Mechanic's Tool Kit (WP 0926 00, Item 65)

Equipment Condition

Engine stopped (see your -10)

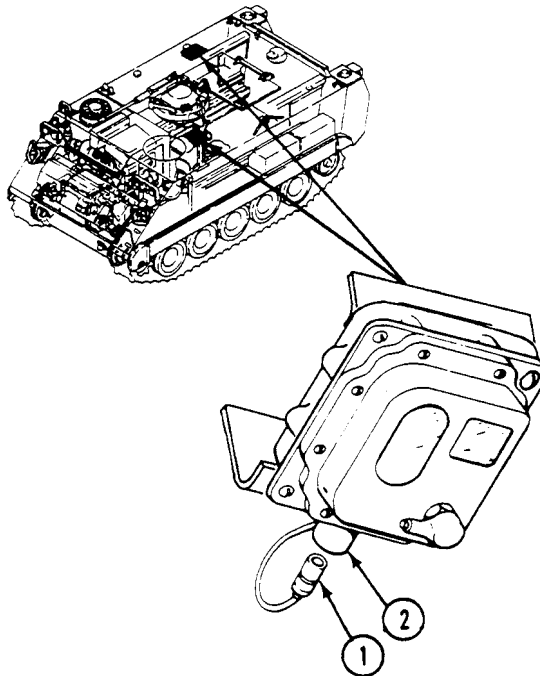
Personnel Required

Unit Mechanic

Carrier blocked (see your -10)

REMOVAL

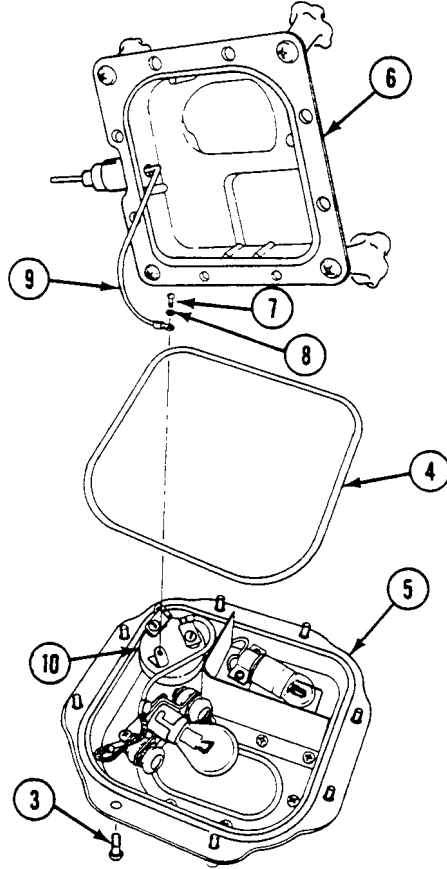
1. Disconnect lead (1) from dome light (2).



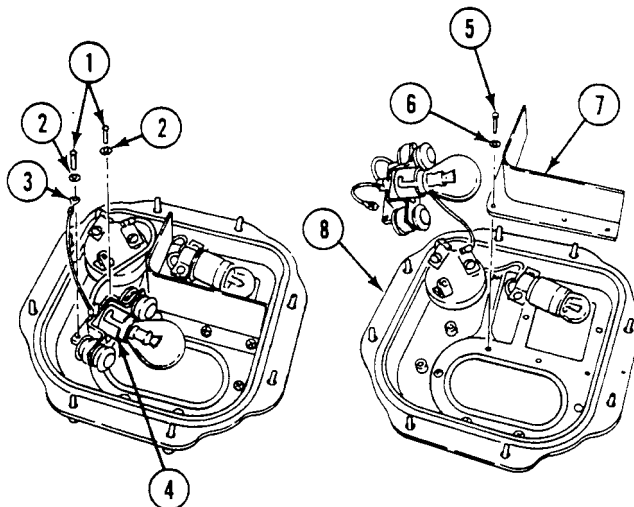
REPLACE DOME LIGHT LENS (ALL EXCEPT M577A3 AND M1068A3) — Continued

0313 00

2. Remove eight screws (3), seal (4), and door (5) from dome light body (6).
3. Remove screw (7), washer (8), and lead (9) from switch (10).



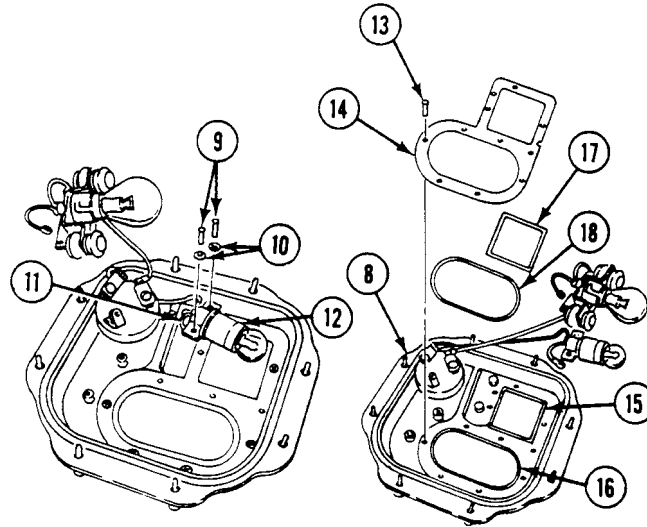
4. Remove two screws (1), lockwashers (2), and ground lead (3) from lampholder (4).
5. Remove four screws (5), lockwashers (6), and partition (7) from door (8).



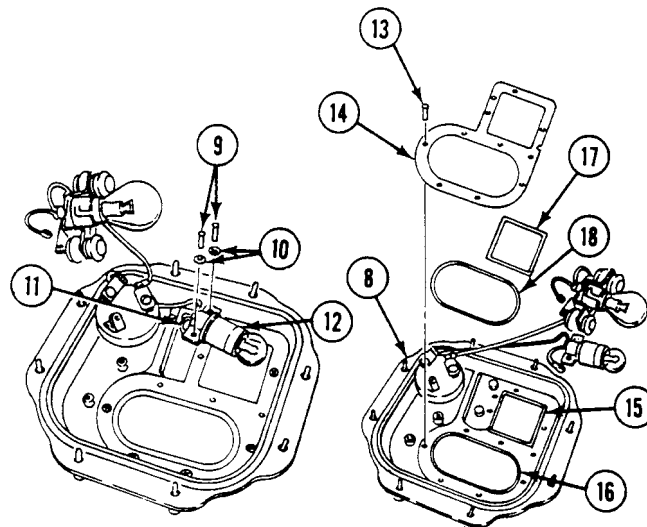
REPLACE DOME LIGHT LENS (ALL EXCEPT M577A3 AND M1068A3) — Continued

0313 00

6. Remove two screws (9), washers (10), and ground lead (11) from lampholder (12).
7. Remove seven screws (13) and lens retaining plate (14) from door (8).
8. Remove two lenses (15) and (16) and gaskets (17) and (18) from door (8).

**INSTALLATION**

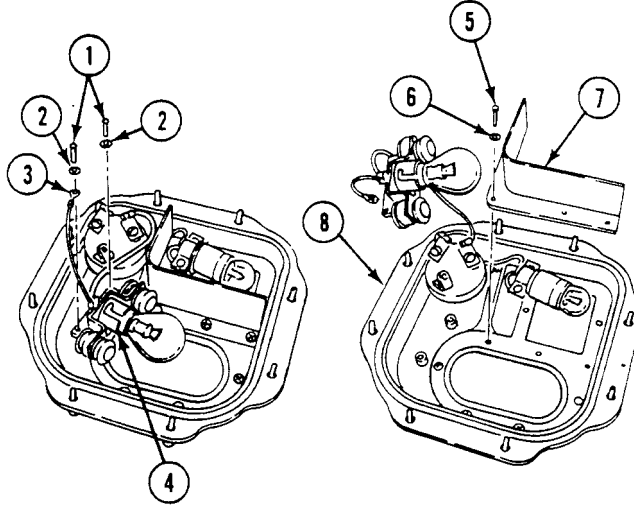
1. Install two lenses (15) and (16) and gaskets (17) and (18) on door (8).
2. Install lens retaining plate (14) on door (8). Secure with seven screws (13).
3. Install ground lead (11) on lampholder (12). Secure with two washers (10) and screws (9).



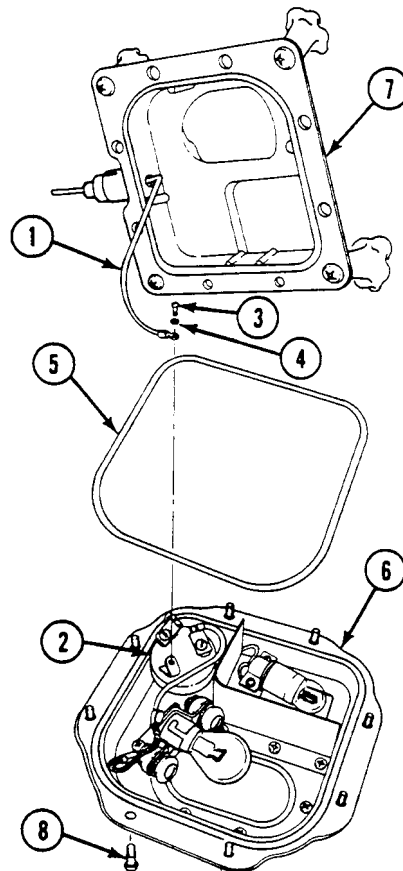
REPLACE DOME LIGHT LENS (ALL EXCEPT M577A3 AND M1068A3) — Continued

0313 00

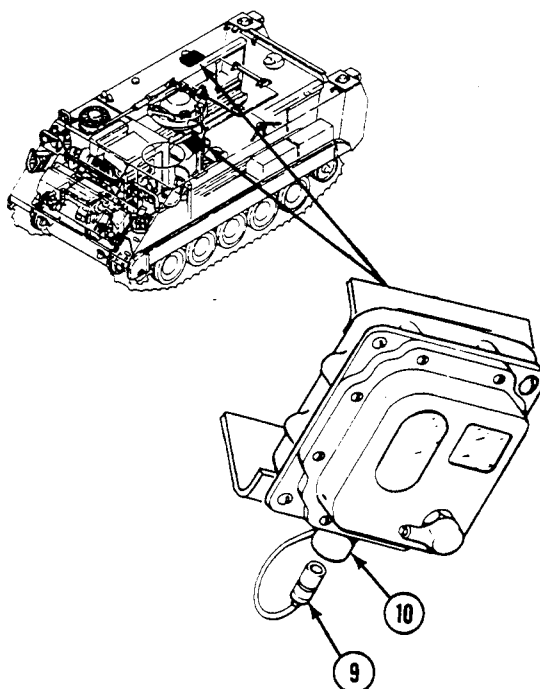
4. Install partition (7) on door (8). Secure with four screws (5) and lockwashers (6).
5. Install ground lead (3) on lampholder (4). Secure with two screws (1) and lockwashers (2).



6. Install lead (1) on switch (2). Secure with screw (3) and washer (4).
7. Install seal (5) on door (6). Install door (6) on body (7). Secure with eight screws (8).



8. Connect lead (9) to dome light (10).

**FOLLOW-THROUGH STEPS**

1. Turn MASTER SWITCH ON (see your -10).
2. Turn dome light switch on and off to check that light works (see your -10).
3. Turn MASTER SWITCH OFF (see your -10).

END OF TASK

REPLACE FRONT DOME LIGHT SWITCH (M577A3 AND M1068A3 ONLY)

0314 00

THIS WORK PACKAGE COVERS:

Removal (page 0314 00-1).
 Installation (page 0314 00-3).

INITIAL SETUP:

Maintenance Level

Unit

Personnel Required

Unit Mechanic

Tools and Special Tools

General Mechanic's Tool Kit (WP 0926 00, Item 65)

References

See your -10

Materials/Parts

Gasket
 Locknut (8)

Equipment Condition

Engine stopped (see your -10)
 Carrier blocked (see your -10)
 Battery ground lead disconnected (WP 0338 00)

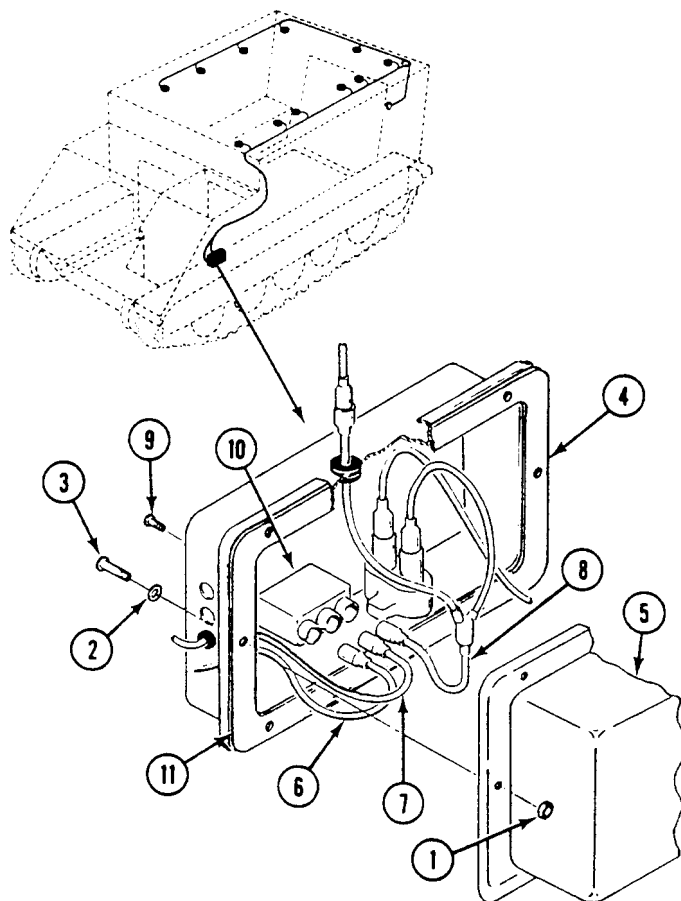
REMOVAL

1. Remove eight locknuts (1), washers (2), screws (3), and master switch panel (4) from distribution box (5). Discard locknuts.

REPLACE FRONT DOME LIGHT SWITCH (M577A3 AND M1068A3 ONLY) — Continued

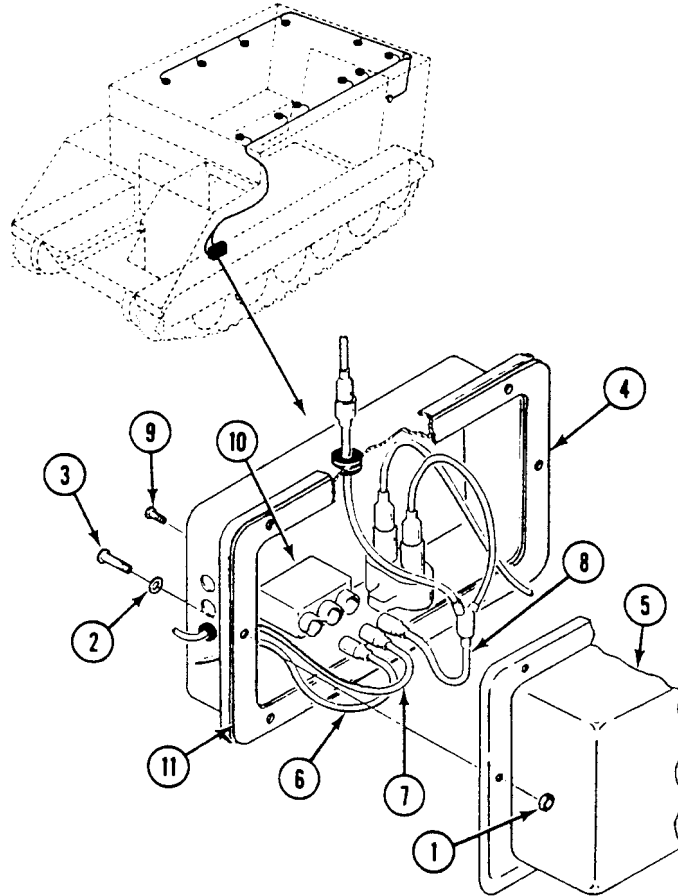
0314 00

2. Disconnect circuit 38 lead (6), circuit 38A lead (7), and circuit 10 lead (8) from front dome light switch (10).
3. Remove two screws (9) and front dome switch (10) from master switch panel (4).
4. Inspect gasket (11). Replace if damaged.



INSTALLATION

1. Install front dome switch (10) in master switch panel (4). Secure with two screws (9).
2. Connect circuit 10 lead (8), circuit 38A lead (7), and circuit 38 lead (6) to front dome light switch (10).
3. Install master switch panel (4) on distribution box (5). Secure with eight screws (3), washers (2), and new locknuts (1).



FOLLOW-THROUGH STEPS

1. Connect battery ground lead (WP 0338 00).
2. Turn MASTER SWITCH ON (see your -10).
3. Turn on front dome light switch to check that switch is operable (see your -10). Dome light should come on.
4. Turn all switches OFF (see your -10).

END OF TASK

REPLACE REAR DOME LIGHT SWITCH (M577A3 AND M1068A3 ONLY)

0315 00

THIS WORK PACKAGE COVERS:

Removal (page 0315 00-1).
 Installation (page 0315 00-2).

INITIAL SETUP:

Maintenance Level

Unit

References

See your -10

Tools and Special Tools

General Mechanic's Tool Kit (WP 0926 00, Item 65)

Equipment Condition

Engine stopped (see your -10)

Personnel Required

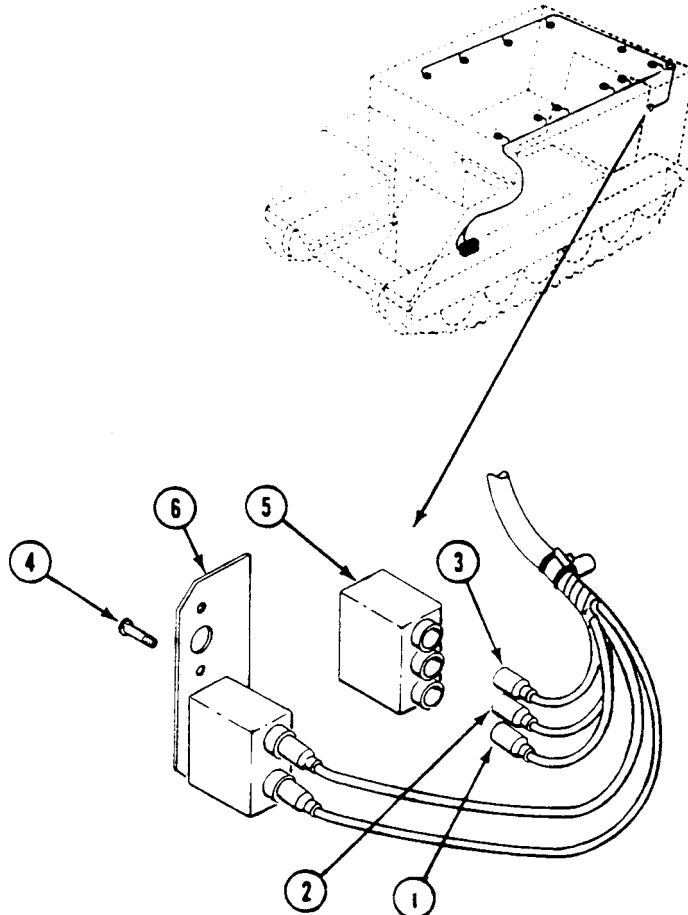
Unit Mechanic

Carrier blocked (see your -10)

Battery ground lead disconnected (WP 0338 00)

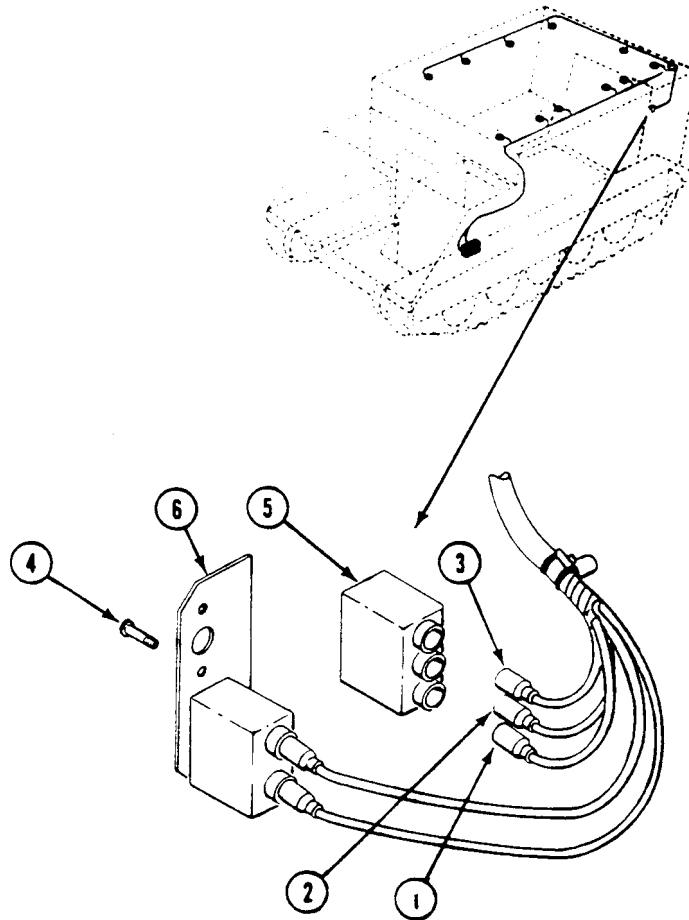
REMOVAL

1. Disconnect circuit 38 lead (1), circuit 38A lead (2), and circuit 38E lead (3) from rear dome light switch (5).
2. Remove two screws (4) and rear dome light switch (5) from hull bracket (6).



INSTALLATION

1. Install rear dome light switch (5) on hull bracket (6). Secure with two screws (4).
2. Connect circuit 38E lead (3), circuit 38A lead (2), and circuit 38 lead (1) to rear dome light switch.

**FOLLOW-THROUGH STEPS**

1. Connect battery ground lead (WP 0338 00).
2. Turn MASTER SWITCH ON (see your -10).
3. Turn REAR DOME LIGHT SWITCH ON (see your -10). Check that switch operates properly and dome light comes on.
4. Turn all switches OFF (see your -10).

END OF TASK

REPLACE DOME LIGHT CIRCUIT BREAKER (M577A3 AND M1068A3 ONLY)

0316 00

THIS WORK PACKAGE COVERS:

Removal (page 0316 00-1).
 Installation (page 0316 00-3).

INITIAL SETUP:

Maintenance Level

Unit

Personnel Required

Unit Mechanic

Tools and Special Tools

General Mechanic's Tool Kit (WP 0926 00, Item 65)

References

See your -10

Materials/Parts

Gasket
 Locknut (8)

Equipment Condition

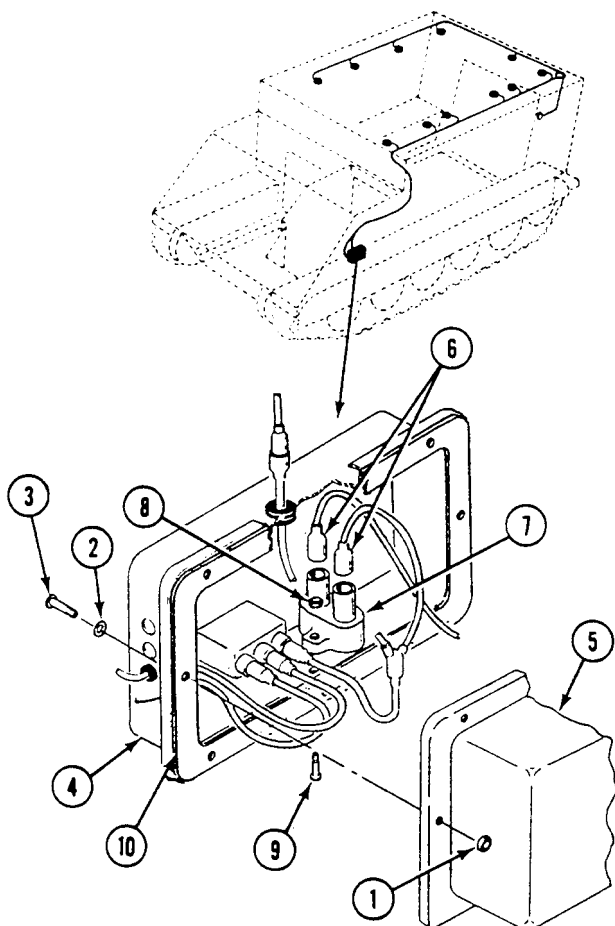
Engine stopped (see your -10)
 Carrier blocked (see your -10)
 Battery ground lead disconnected (WP 0338 00)

REMOVAL

1. Remove eight locknuts (1), washers (2), screws (3), and master switch panel (4) from distribution box (5). Discard locknuts.

REPLACE DOME LIGHT CIRCUIT BREAKER (M577A3 AND M1068A3 ONLY) —**0316 00****Continued**

2. Disconnect two circuit 10 leads (6) from circuit breaker (7).
3. Remove two nuts (8), screws (9), and circuit breaker (7) from master switch panel (4).
4. Inspect gasket (10). Replace if damaged.

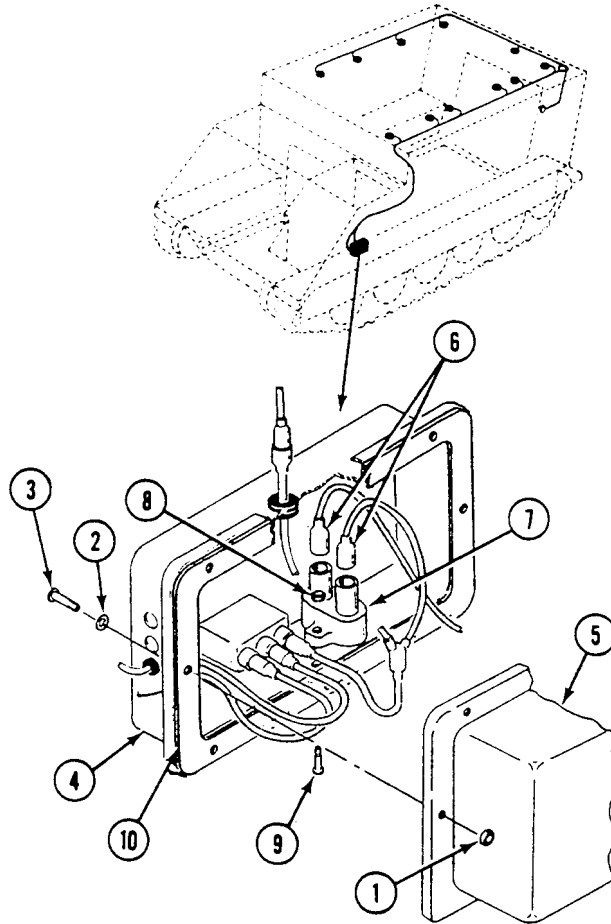


REPLACE DOME LIGHT CIRCUIT BREAKER (M577A3 AND M1068A3 ONLY) —
Continued

0316 00

INSTALLATION

1. Place circuit breaker (7) in master switch panel (4). Secure with two screws (9) and nuts (8).
2. Connect two circuit 10 leads (6) to circuit breaker (7).
3. Place master switch panel (4) on distribution box (5). Secure with eight screws (3), washers (2), and new locknuts (1).

**FOLLOW-THROUGH STEPS**

1. Connect battery ground lead (WP 0338 00).
2. Turn MASTER SWITCH ON (see your -10).
3. Operate dome lights to check that circuit breaker is operable (see your -10).
4. Turn all switches OFF (see your -10).

END OF TASK

REPLACE DOME BLACKOUT LIGHT BYPASS SWITCH (M577A3 AND M1068A3 ONLY)

0317 00

THIS WORK PACKAGE COVERS:

Removal (page 0317 00-1).
 Installation (page 0317 00-2).

INITIAL SETUP:

Maintenance Level

Unit

References

See your -10

Tools and Special Tools

General Mechanic's Tool Kit (WP 0926 00, Item 65)

Equipment Condition

Engine stopped (see your -10)

Personnel Required

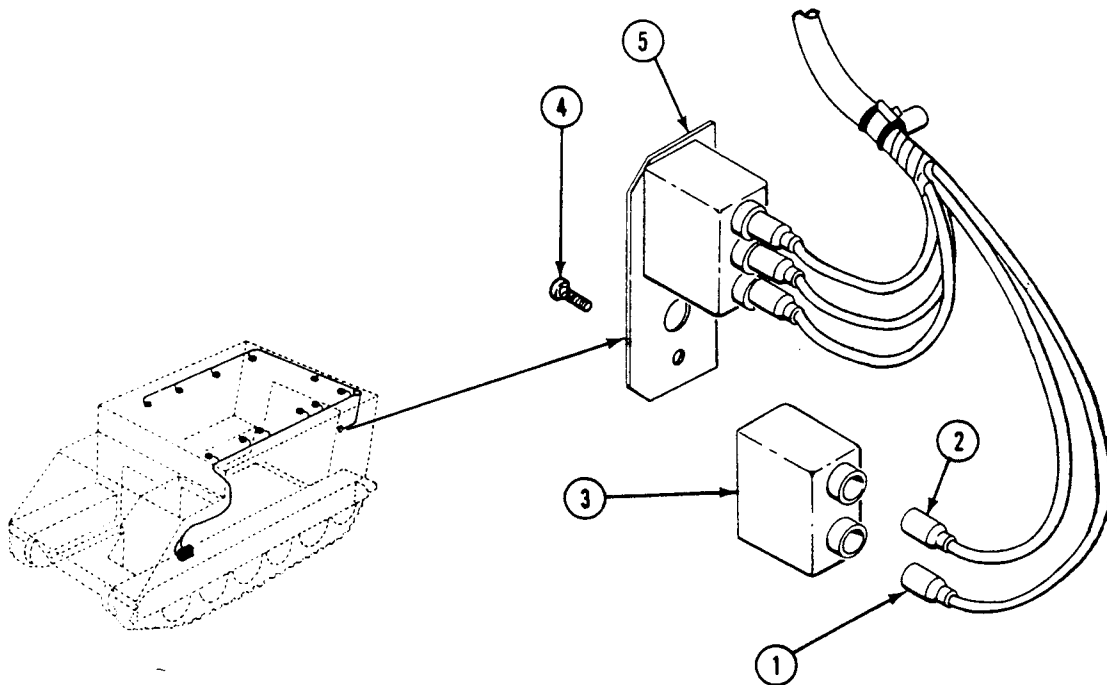
Unit Mechanic

Carrier blocked (see your -10)

Battery ground lead disconnected (WP 0338 00)

REMOVAL

1. Disconnect circuit 38B lead (1) and circuit 38E lead (2) from rear of bypass switch (3).
2. Remove two screws (4) and switch (3) from hull bracket (5).

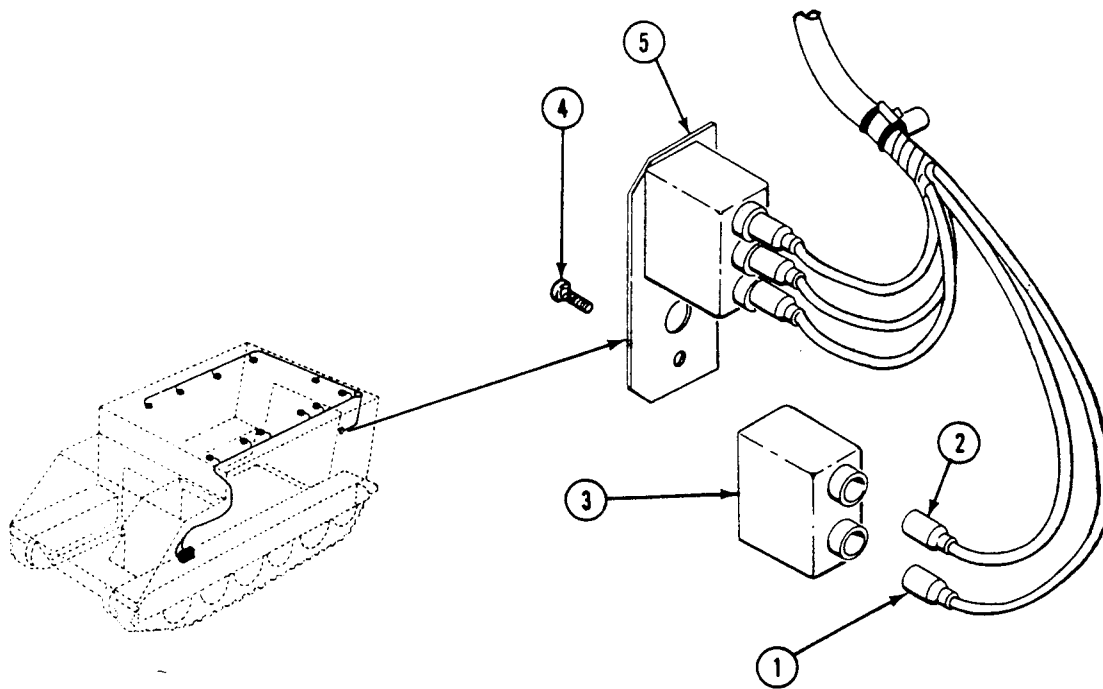


REPLACE DOME BLACKOUT LIGHT BYPASS SWITCH (M577A3 AND M1068A3 ONLY) —
Continued

0317 00

INSTALLATION

1. Place switch (3) on hull bracket (5). Secure with two screws (4).
2. Connect circuit 38E lead (2) and circuit 38B lead (1) to rear of bypass switch (3).

**FOLLOW-THROUGH STEPS**

1. Connect battery ground lead (WP 0338 00).
2. Turn MASTER SWITCH ON (see your -10).
3. Operate dome lights and bypass switch to check that switch operates properly (see your -10).
4. Turn all switches OFF (see your -10).

END OF TASK

REPLACE TENT LIGHT ASSEMBLY (M577A3 AND M1068A3 ONLY)

0318 00

THIS WORK PACKAGE COVERS:

Removal (page 0318 00-1).
 Installation (page 0318 00-3).

INITIAL SETUP:

Maintenance Level

Unit

References

See your -10

Tools and Special Tools

General Mechanic's Tool Kit (WP 0926 00, Item 65)

Equipment Condition

Engine stopped (see your -10)

Materials/Parts

Lamp

Carrier blocked (see your -10)

Personnel Required

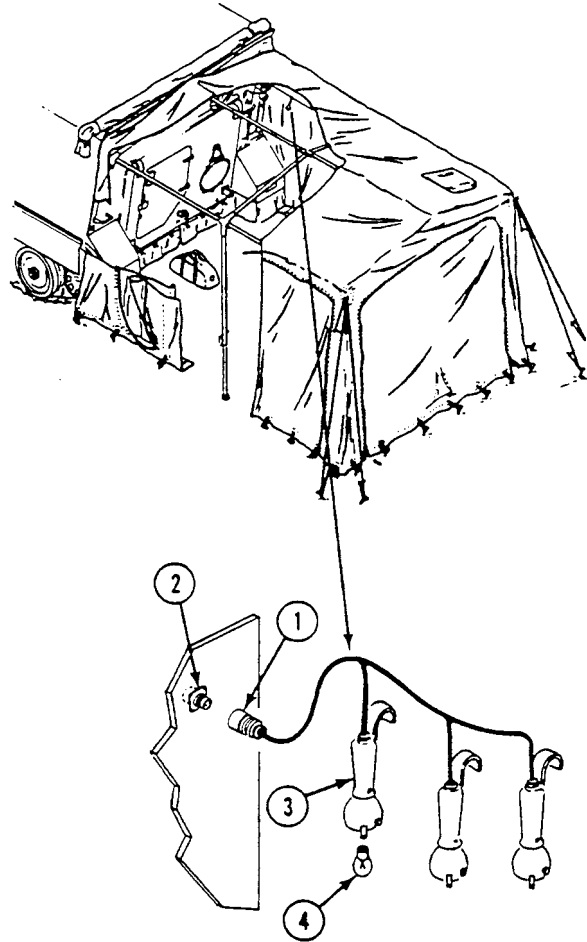
Unit Mechanic

Battery ground lead disconnected (WP 0338 00)

REMOVAL

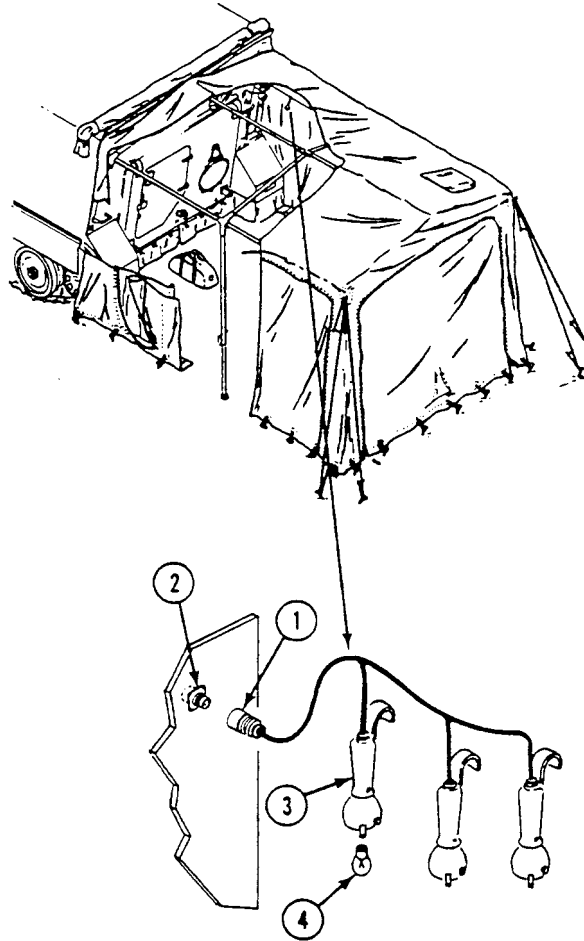
1. Remove connector (1) from utility outlet receptacle (2) on rear bulkhead.
2. Remove light assembly (3) from tent supports.

3. Push in on lamp (4) and turn to the left. Remove lamp from light assembly. Discard lamp.



INSTALLATION

1. Install new lamp (4) in light assembly (3). Push in and turn to the right to secure lamp.
2. Hang light assembly (3) on tent supports.
3. Install connector (1) on utility outlet receptacle (2).

**FOLLOW-THROUGH STEPS**

1. Connect battery ground lead (WP 0338 00).
2. Turn MASTER SWITCH ON (see your -10).
3. Check that tent lamps operate properly (see your -10).
4. Turn all switches OFF (see your -10).

END OF TASK

REPLACE ENGINE OIL LOW PRESSURE TRANSMITTER AND HARDWARE

0320 00

THIS WORK PACKAGE COVERS:

Removal (page 0320 00-1).
 Installation (page 0320 00-3).

INITIAL SETUP:

Maintenance Level

Unit

References

See your -10

Tools and Special Tools

General Mechanic's Tool Kit (WP 0926 00, Item 65)

Equipment Condition

Engine stopped (see your -10)

Materials/Parts

Sealing compound (WP 0928 00, Item 56)

Locknut

Carrier blocked (see your -10)

Personnel Required

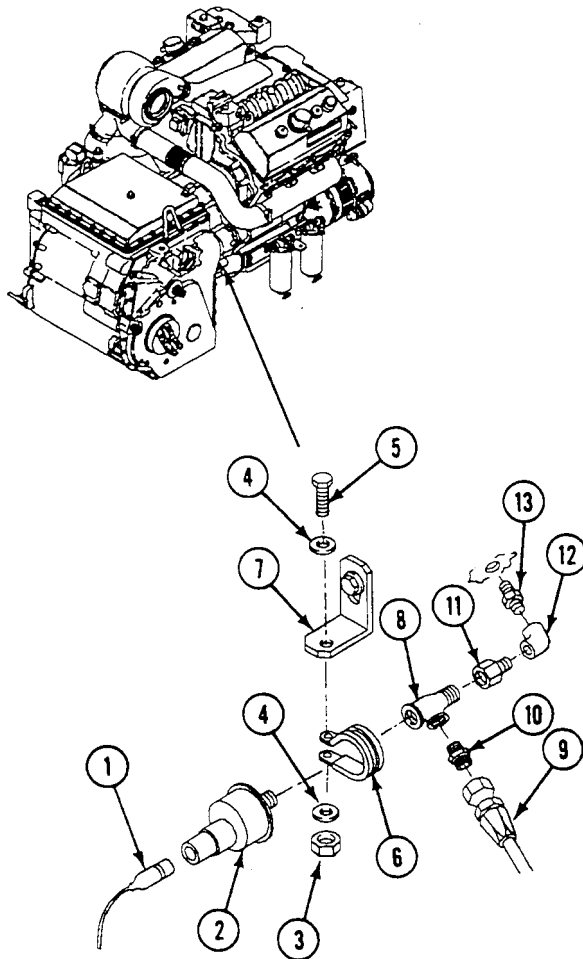
Unit Mechanic

Driver's power plant access panel removed (see your -10)

REMOVAL

1. Disconnect circuit 34 lead (1) from engine oil low pressure transmitter (2).

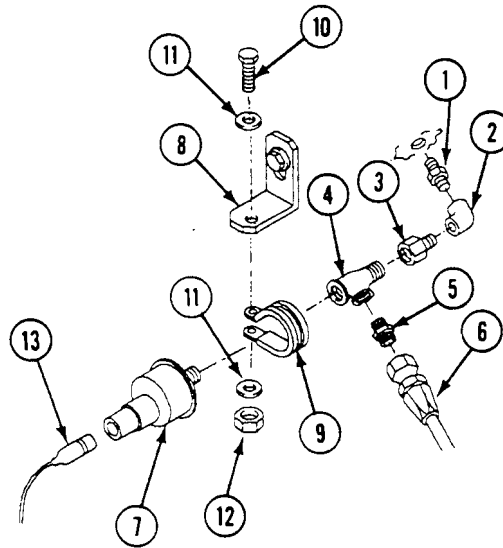
2. Remove locknut (3), two washers (4), screw (5), and clamp (6) securing pressure transmitter (2) to bracket (7). Discard locknut.
3. Remove pressure transmitter (2) from tee (8).
4. Disconnect hose (9) from adapter (10).
5. Remove adapter (10) from tee (8).
6. Remove tee (8) and nipple (11) from elbow (12).
7. Remove elbow (12) and reducer (13) from engine.



INSTALLATION**NOTE**

Coat male tapered threads with sealing compound.

1. Install reducer (1) and elbow (2) on engine.
2. Install nipple (3) and tee (4) on elbow (2).
3. Install adapter (5) in tee (4).
4. Connect hose (6) to adapter (5).
5. Install pressure transmitter (7) in tee (4).
6. Secure pressure transmitter (7) to bracket (8) with clamp (9), screw (10), two washers (11), and new locknut (12).
7. Connect circuit 34 lead (13) to pressure transmitter (7).

**FOLLOW-THROUGH STEPS**

1. Turn MASTER SWITCH ON (see your -10).
2. Check the ENGINE OIL LOW PRESS light is on (see your -10).
3. Start engine (see your -10). ENGINE OIL LOW PRESS light should go off.
4. Check for oil leaks at engine low oil pressure transmitter (see your -10).
5. Stop engine (see your -10).
6. Install driver's power plant access panel (see your -10).

END OF TASK

REPLACE COOLANT TEMPERATURE TRANSMITTER

0321 00

THIS WORK PACKAGE COVERS:

Removal (page 0321 00-1).
 Installation (page 0321 00-2).

INITIAL SETUP:

Maintenance Level

Unit

References

See your -10

Tools and Special Tools

General Mechanic's Tool Kit (WP 0926 00, Item 65)

Equipment Condition

Engine stopped (see your -10)
 Carrier blocked (see your -10)
 Power plant upper rear access panel removed (see your -10)
 Coolant level drained below thermostat housing (WP 0227 00)

Materials/Parts

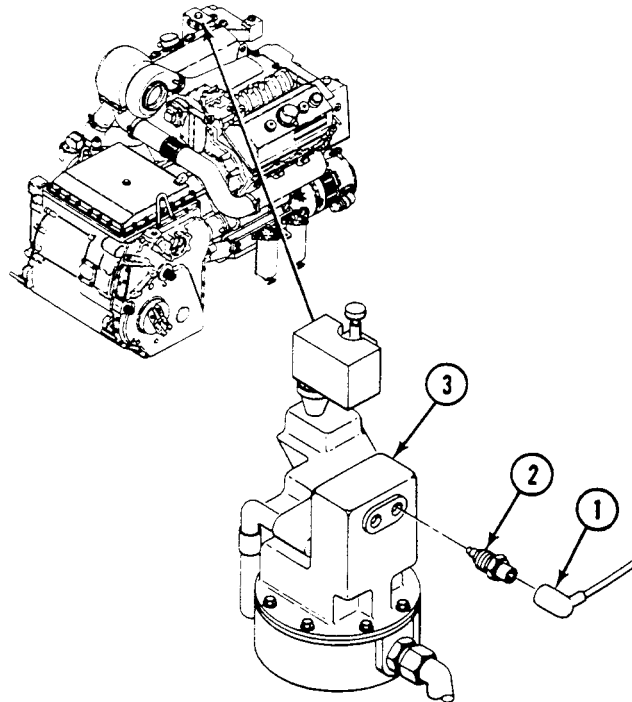
Sealing compound (WP 0928 00, Item 56)

Personnel Required

Unit Mechanic

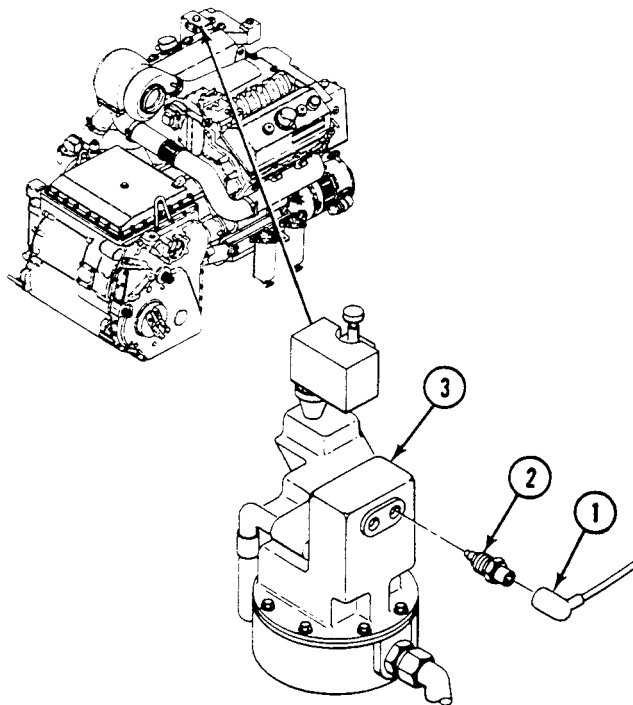
REMOVAL

1. Disconnect circuit 33 lead (1) from engine coolant temperature switch (2).
2. Remove switch (2) from thermostat housing (3).



INSTALLATION

1. Coat threads of switch (2) with sealing compound.
2. Install switch (2) in thermostat housing (3).
3. Connect circuit 33 lead (1) to switch (2).

**FOLLOW-THROUGH STEPS**

1. Fill coolant system to proper level (WP 0227 00).
2. Start engine (see your -10).
3. Check for leaks (see your -10).
4. Stop engine (see your -10).
5. Install power plant upper rear access panel (see your -10).

END OF TASK

REPLACE VARIABLE SPEED FAN DRIVE SENSORS AND SWITCHES (NEW CONFIGURATION)

0321 01

THIS WORK PACKAGE COVERS:

- Removal (page 0321 01-1).
- Installation (page 0321 01-2).

INITIAL SETUP:

Maintenance Level

Unit

Tools and Special Tools

General Mechanic's Tool Kit (WP 0926 00, Item 65)

Materials/Parts

Tie straps

Personnel Required

Unit Mechanic

Equipment Condition

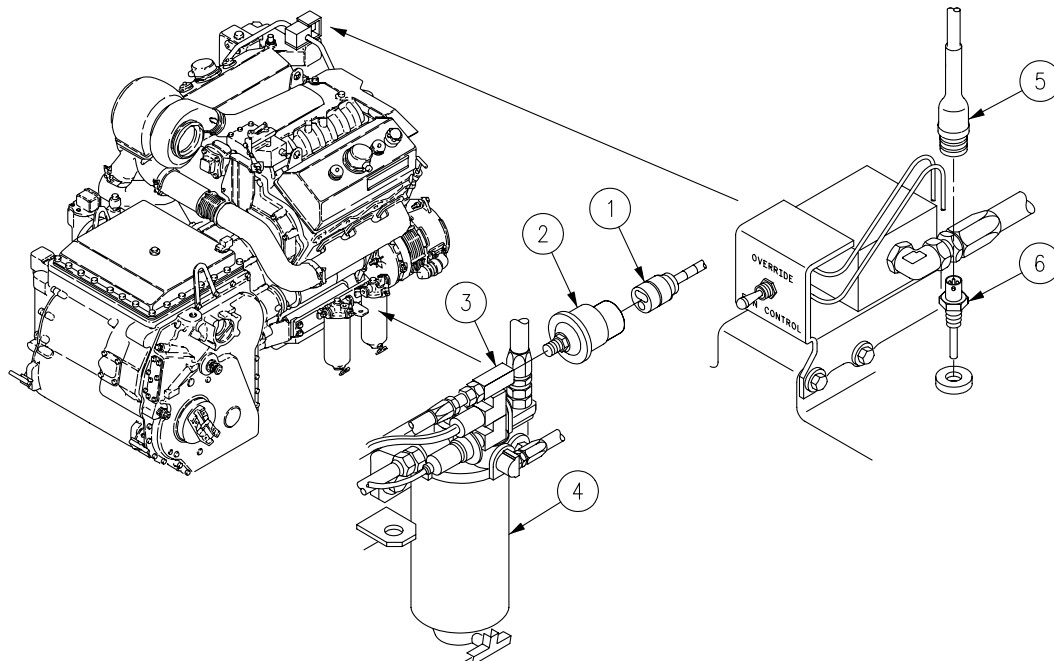
- Engine stopped (see your -10)
- Carrier blocked (see your -10)
- Power plant rear access panel removed (see your -10)
- Driver's power plant access panel removed (see your -10)
- Battery ground strap disconnected (WP 0337 00), (WP 0338 00), or (WP 0339 00)

REMOVAL

NOTE

Install covers on disconnected electrical component cable connections during maintenance. Use any appropriate material to prevent damage to components. Mark and tag all connections prior to disconnection.

1. Disconnect variable speed wiring harness plug P3 (1) from engine running switch S2 (2).
2. Remove engine running switch S2 (2) from tee (3) on secondary fuel filter (4).
3. Disconnect variable speed wiring harness plug P6 (5) from engine coolant sensor 3A3 (6). Remove engine coolant sensor 3A3 (6).

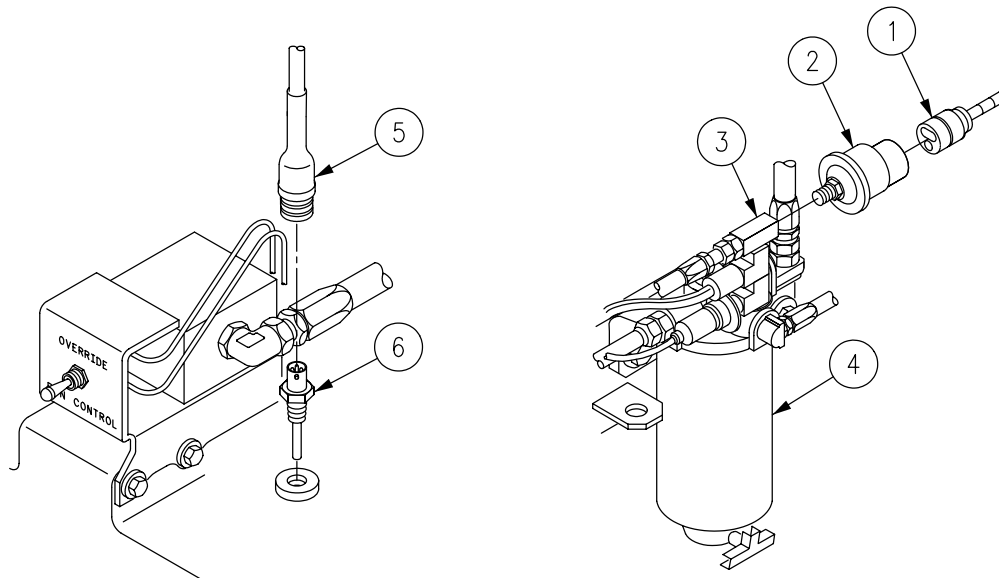


REPLACE VARIABLE SPEED FAN DRIVE SENSORS AND SWITCHES (NEW CONFIGURATION) — Continued

0321 01

INSTALLATION

1. Install engine coolant sensor 3A3 (6). Connect variable speed wiring harness plug P6 (5) on engine coolant sensor 3A3 (6).
2. Install engine running switch S2 (2) to tee (3) on secondary fuel filter (4). Connect variable speed wiring harness plug P3 (1) on engine running switch S2(2).


FOLLOW-THROUGH STEPS

1. Connect battery ground strap (WP 0337 00), (WP 0338 00), or (WP 0339 00)
2. Install driver's power plant access panel (see your -10).
3. Install power plant rear access panels (see your -10).

END OF TASK

REPLACE TRANSMISSION OIL HIGH TEMPERATURE SWITCH

0322 00

THIS WORK PACKAGE COVERS:

Removal (page 0322 00-1).
 Installation (page 0322 00-2).

INITIAL SETUP:

Maintenance Level

Unit

Personnel Required

Unit Mechanic

Tools and Special Tools

General Mechanic's Tool Kit (WP 0926 00, Item 65)

References

See your -10

Materials/Parts

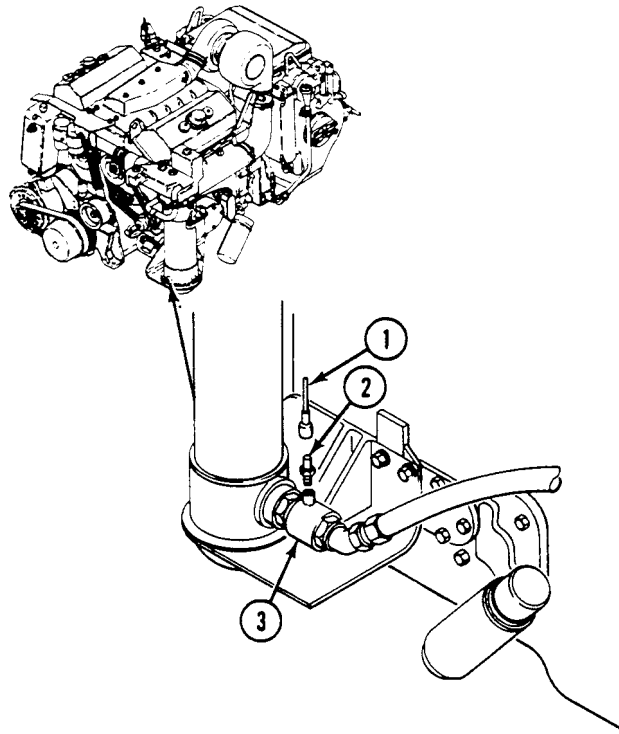
Sealing compound (WP 0928 00, Item 56)
 Thermostatic switch

Equipment Condition

Power plant removed (WP 0156 00)

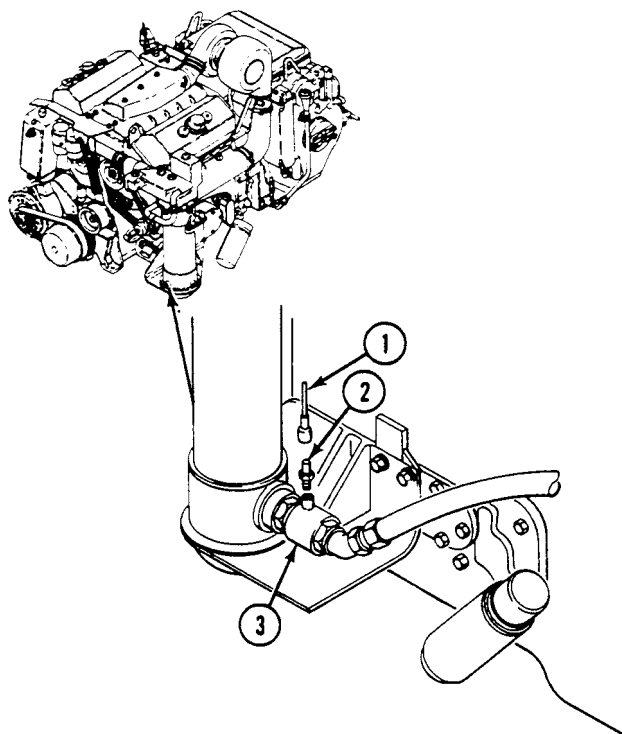
REMOVAL

1. Disconnect circuit 327 lead (1) from switch (2).
2. Remove switch (2) from tee (3).



INSTALLATION

1. Apply sealing compound to threads of switch (2).
2. Install switch (2) in tee (3).
3. Connect circuit 327 lead (1) to switch (2).

**FOLLOW-THROUGH STEPS**

1. Install power plant (WP 0156 00).

END OF TASK

REPLACE GENERATOR FIELD PRESSURE SWITCH

0323 00

THIS WORK PACKAGE COVERS:

- Removal (page 0323 00-1)
- Inspection and Repair (page 0323 00-1)
- Installation (page 0323 00-2)

INITIAL SETUP:

Maintenance Level

Unit

References

See your -10

Tools and Special Tools

General Mechanic's Tool Kit (WP 0926 00, Item 65)

Equipment Condition

- Engine stopped (see your -10)
- Carrier blocked (see your -10)
- Driver's power plant access panel removed (see your -10)

Materials/Parts

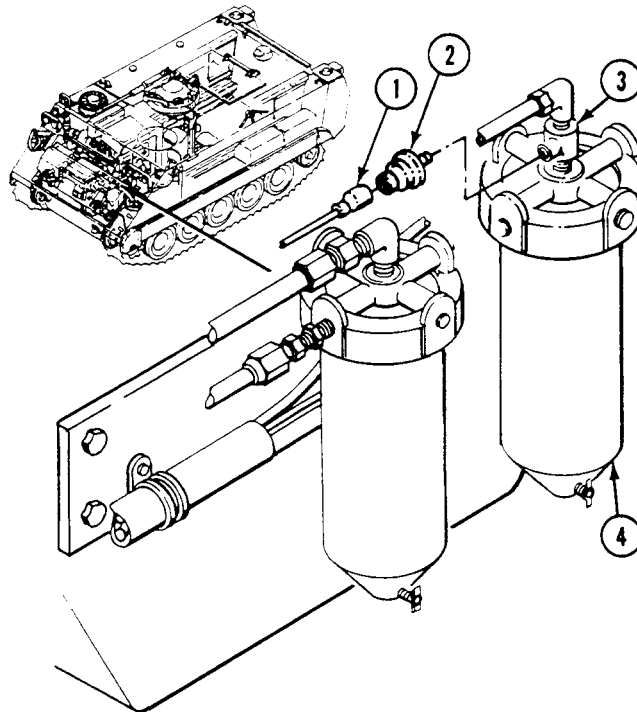
Sealing compound (WP 0928 00, Item 56)

Personnel Required

Unit Mechanic

REMOVAL

1. Disconnect circuit 1A/1B lead (1) from generator field switch (2).
2. Remove switch (2) from tee (3) on secondary fuel filter (4).
3. Check circuit lead. Replace worn or cracked lead and damaged connector (WP 0382 00).

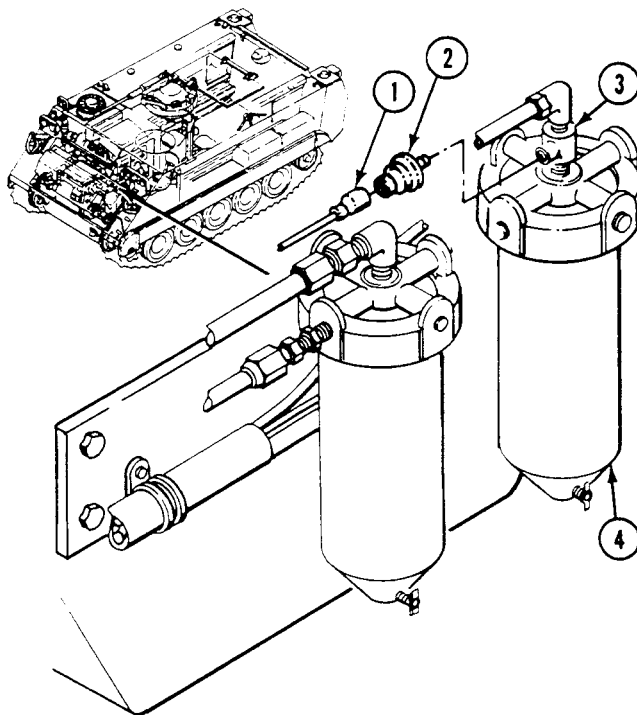


INSPECTION-ACCEPTANCE AND REJECTION CRITERIA

1. Check circuit lead. Replace worn or cracked lead and damaged connector WP 0382 00

INSTALLATION

1. Coat threads of switch with sealing compound.
2. Install switch (2) on tee (3) on secondary fuel filter (4).
3. Connect circuit 1A/1B lead (1) to switch (2).

**FOLLOW-THROUGH STEPS**

1. Check operation of field switch (WP 0025 00).
2. Install driver's power plant access panel (see your -10).

END OF TASK

REPLACE FUEL SUPPLY PRESSURE TRANSDUCER

0324 00

THIS WORK PACKAGE COVERS:

- Removal (page 0324 00-1).
- Installation (page 0324 00-2).

INITIAL SETUP:

Maintenance Level

Unit

References

See your -10

Tools and Special Tools

General Mechanic's Tool Kit (WP 0926 00, Item 65)

Equipment Condition

Engine stopped (see your -10)

Carrier blocked (see your -10)

Materials/Parts

Adhesive (WP 0928 00, Item 4)

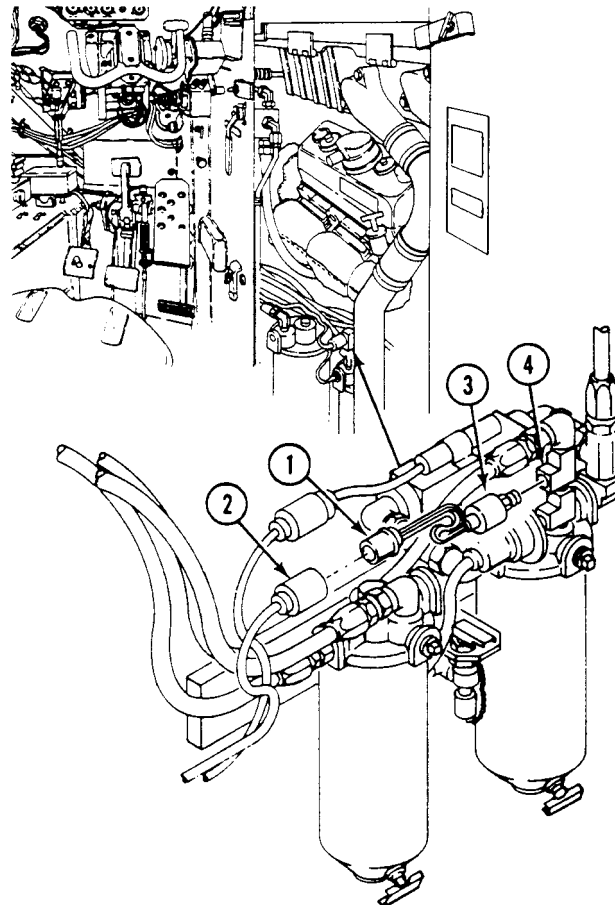
Driver's compartment access panel removed (see your -10)

Personnel Required

Unit Mechanic

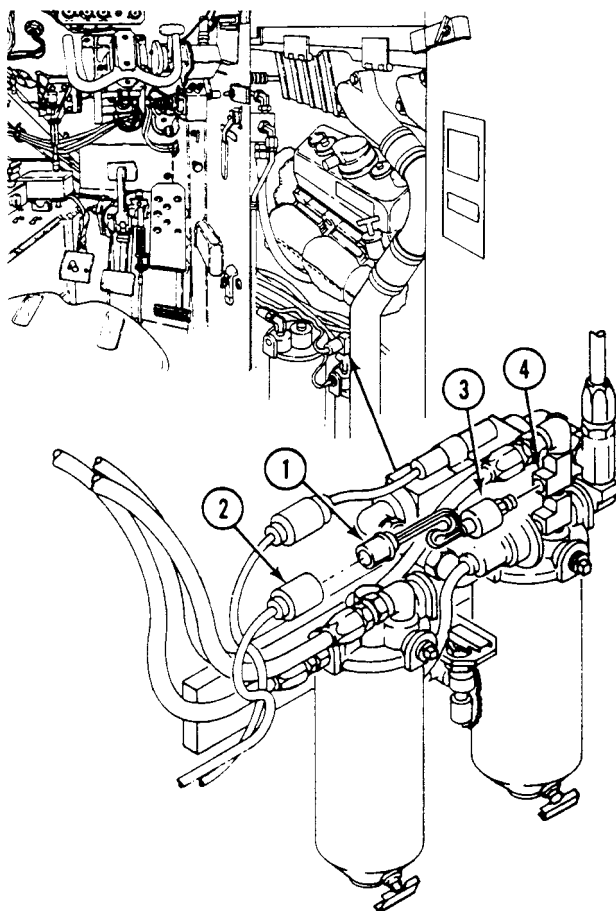
REMOVAL

1. Disconnect fuel supply pressure transducer lead (1) from wiring harness (2).
2. Remove transducer (3) from fitting (4).



INSTALLATION

1. Apply a thin coat of adhesive to threads of transducer (3).
2. Install transducer (3) on fitting (4).
3. Connect fuel supply pressure transducer lead (1) to wiring harness (2).

**FOLLOW-THROUGH STEPS**

1. Install driver's compartment access panel (see your -10).

END OF TASK

REPLACE FUEL RETURN PRESSURE TRANSDUCER

0325 00

THIS WORK PACKAGE COVERS:

Removal (page 0325 00-1).
 Installation (page 0325 00-2).

INITIAL SETUP:

Maintenance Level

Unit

References

TM 9-2350-277-10

Tools and Special Tools

General Mechanic's Tool Kit (WP 0926 00, Item 65)

Equipment Condition

Engine stopped (TM 9-2350-277-10)
 Carrier blocked (TM 9-2350-277-10)
 Power plant access door open (TM 9-2350-277-10)
 Air cleaner removed (WP 0168 00)
 Power plant grill raised (WP 0464 00)

Materials/Parts

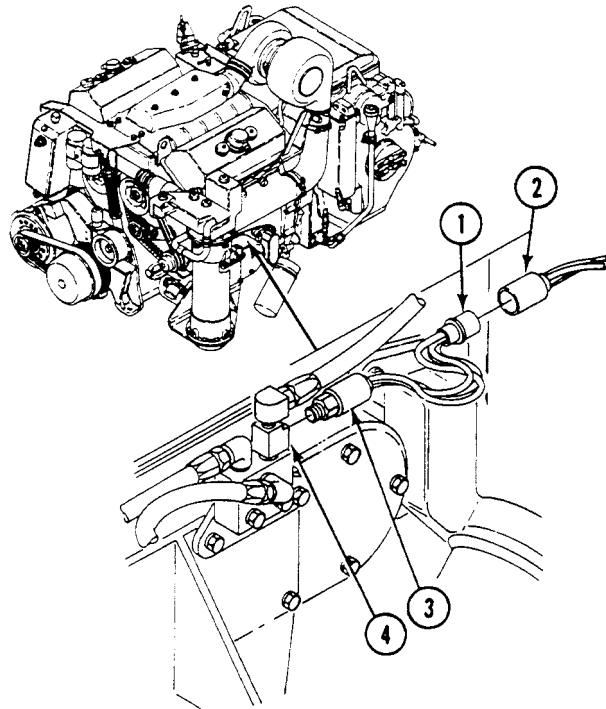
Adhesive (WP 0928 00, Item 4)

Personnel Required

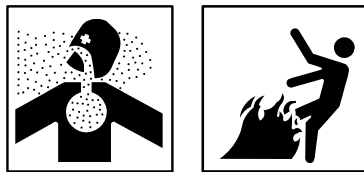
Mechanic

REMOVAL

1. Disconnect fuel return pressure transducer lead (1) from MSD/ICE wiring harness (2).
2. Disconnect transducer (3) from tee (4).



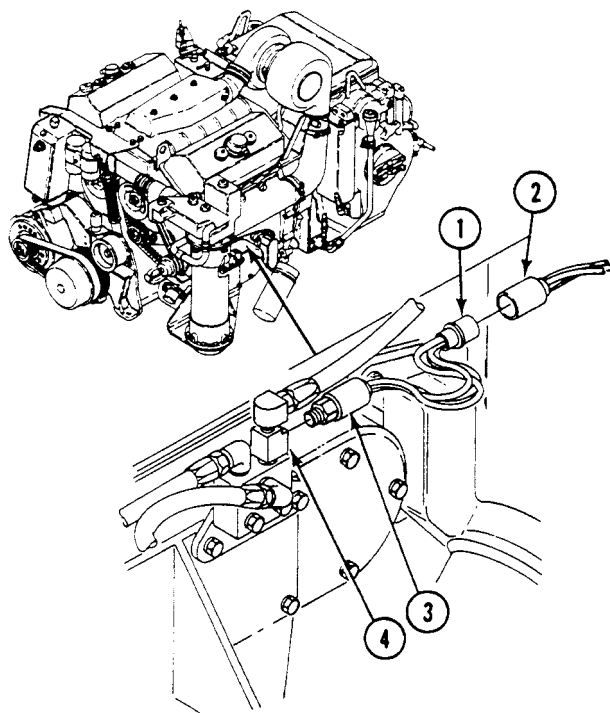
INSTALLATION

WARNING

Adhesive, primer, sealant compounds, and isopropyl alcohol are toxic and flammable. These compounds are toxic to eyes, skin, and respiratory tract. Continued exposure can make you dizzy and irritate your eyes and throat.

Always use in well ventilated areas, away from heat, sparks, and flames. Do not breathe fumes. Do not allow into contact with skin and eyes. Use goggles or face shield and protective gloves.

1. Apply a thin coat of adhesive to threads of transducer (3).
2. Connect transducer (3) to tee (4).
3. Connect fuel return pressure transducer lead (1) to MSD/ICE wiring harness (2).

**FOLLOW-THROUGH STEPS**

1. Lower power plant grill (WP 0464 00).
2. Install air cleaner (WP 0168 00).
3. Close power plant access door. See TM 9-2350-277-10.

END OF TASK

REPLACE TURBO OUTLET PRESSURE TRANSDUCER

0326 00

THIS WORK PACKAGE COVERS:

- Removal (page 0326 00-1).
- Installation (page 0326 00-2).

INITIAL SETUP:

Maintenance Level

Unit

References

See your -10

Tools and Special Tools

General Mechanic's Tool Kit (WP 0926 00, Item 65)

Equipment Condition

- Engine stopped (see your -10)
- Carrier blocked (see your -10)
- Power plant upper rear access panel removed (see your -10)

Materials/Parts

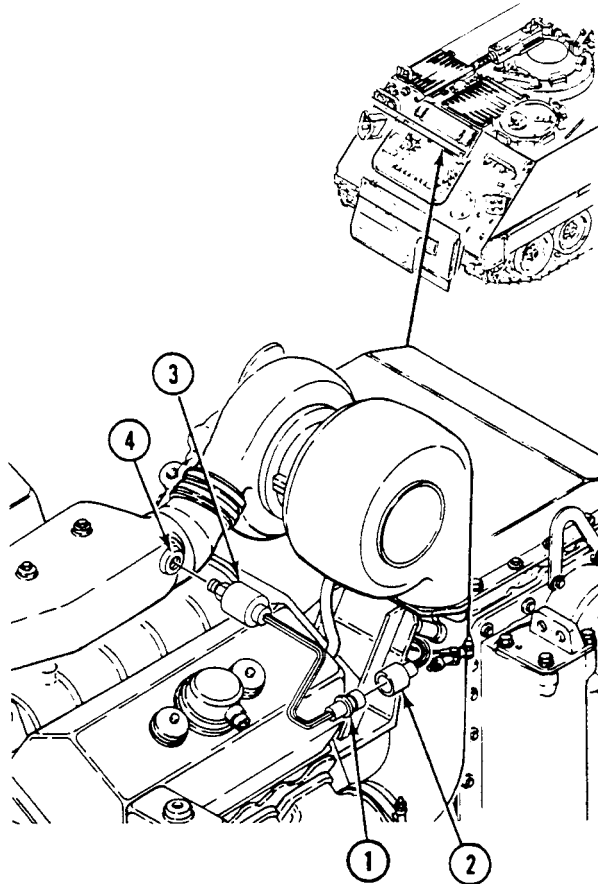
Adhesive (WP 0928 00, Item 4)

Personnel Required

Unit Mechanic

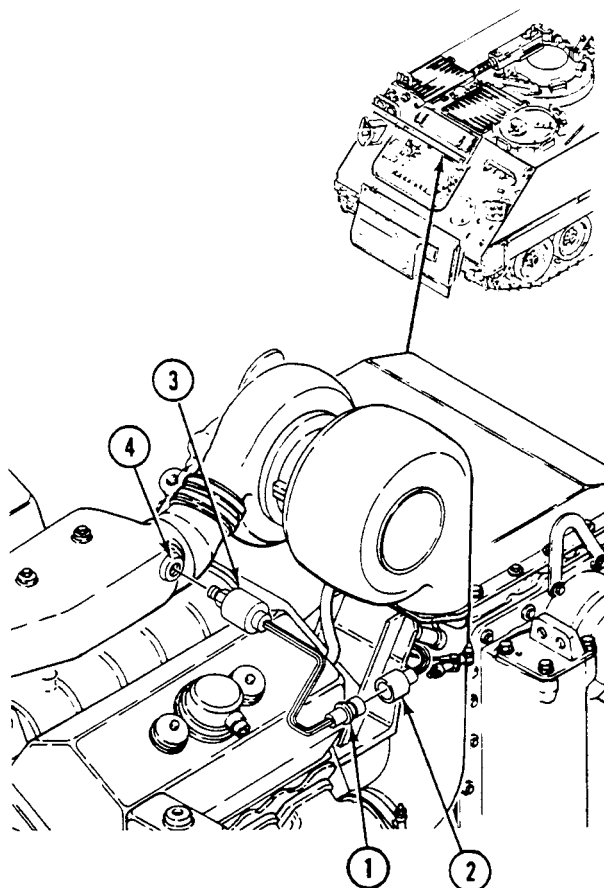
REMOVAL

1. Disconnect transducer lead (1) from wiring harness (2).
2. Disconnect transducer (3) from turbo outlet housing (4).



INSTALLATION

1. Apply a thin coat of adhesive to external threads of transducer (3).
2. Connect transducer (3) to turbo outlet housing (4).
3. Connect transducer lead (1) to wiring harness (2).

**FOLLOW-THROUGH STEPS**

1. Install power plant rear access panel (see your -10).

END OF TASK

REPLACE AIR BOX PRESSURE TRANSDUCER

0327 00

THIS WORK PACKAGE COVERS:

Removal (page 0327 00-1).
 Installation (page 0327 00-2).

INITIAL SETUP:

Maintenance Level

Unit

References

See your -10

Tools and Special Tools

General Mechanic's Tool Kit (WP 0926 00, Item 65)

Equipment Condition

Engine stopped (see your -10)

Materials/Parts

Adhesive (WP 0928 00, Item 4)

Carrier blocked (see your -10)

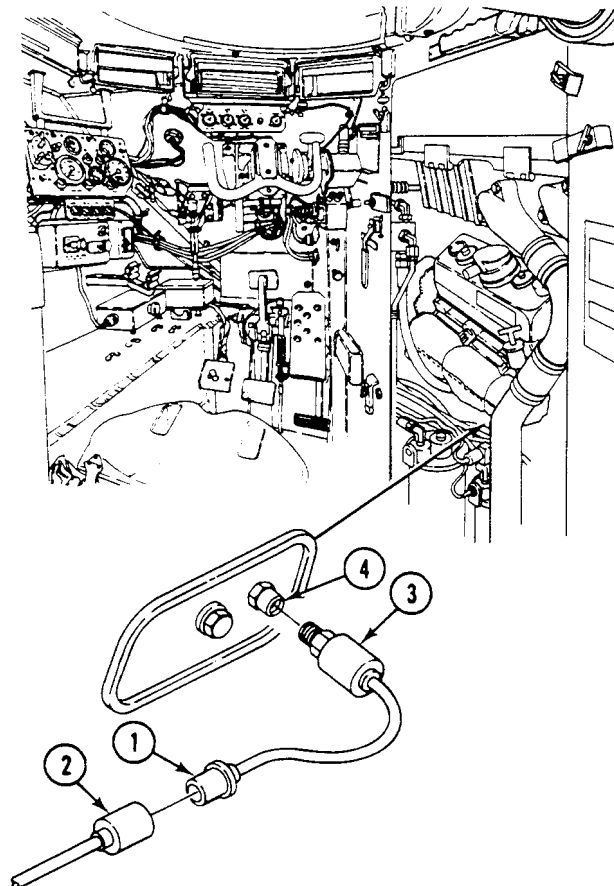
Personnel Required

Unit Mechanic

Driver's compartment access panel removed (see your -10)

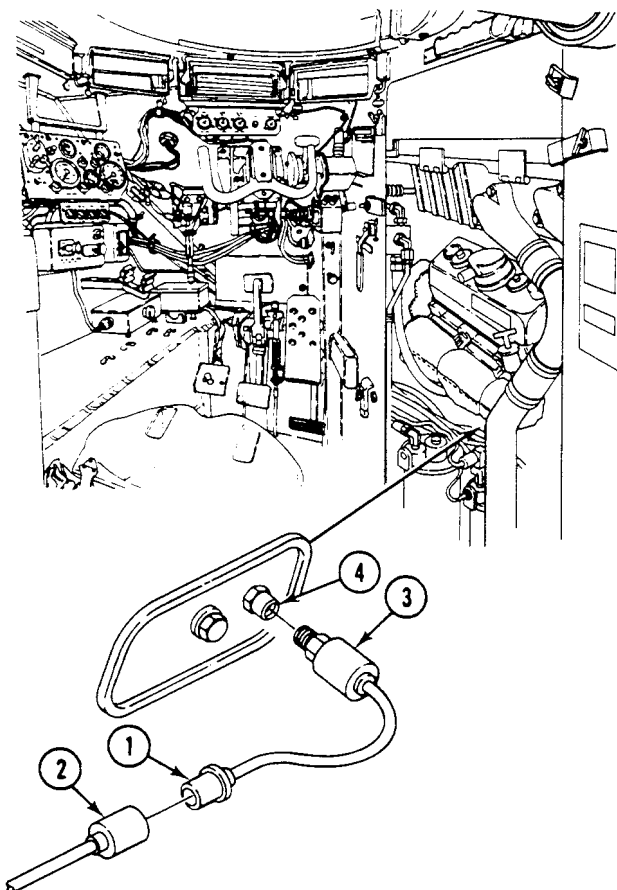
REMOVAL

1. Disconnect air box pressure transducer lead (1) from STE/ICE wiring harness (2).
2. Disconnect transducer (3) from housing (4).



INSTALLATION

1. Apply a thin coat of adhesive to threads of transducer (3).
2. Connect transducer (3) to housing (4).
3. Connect air box pressure transducer lead (1) to STE/ICE wiring harness (2).

**FOLLOW-THROUGH STEPS**

1. Install driver's compartment access panel (see your -10).

END OF TASK

REPLACE FUEL FILTER DIFFERENTIAL PRESSURE SWITCH

0328 00

THIS WORK PACKAGE COVERS:

Removal (page 0328 00-1).
 Installation (page 0328 00-5).

INITIAL SETUP:

Maintenance Level

Unit

References

See your -10

Tools and Special Tools

General Mechanic's Tool Kit (WP 0926 00, Item 65)
 Suitable container
 Machinist's vise (WP 0926 00, Item 68)

Equipment Condition

Engine stopped (see your -10)
 Carrier blocked (see your -10)
 Battery ground strap disconnected (WP 0337 00),
 (WP 0338 00), (WP 0339 00)
 Power plant upper rear access panel removed (see your
 -10)
 Driver's compartment access panel removed (see your
 -10)

Materials/Parts

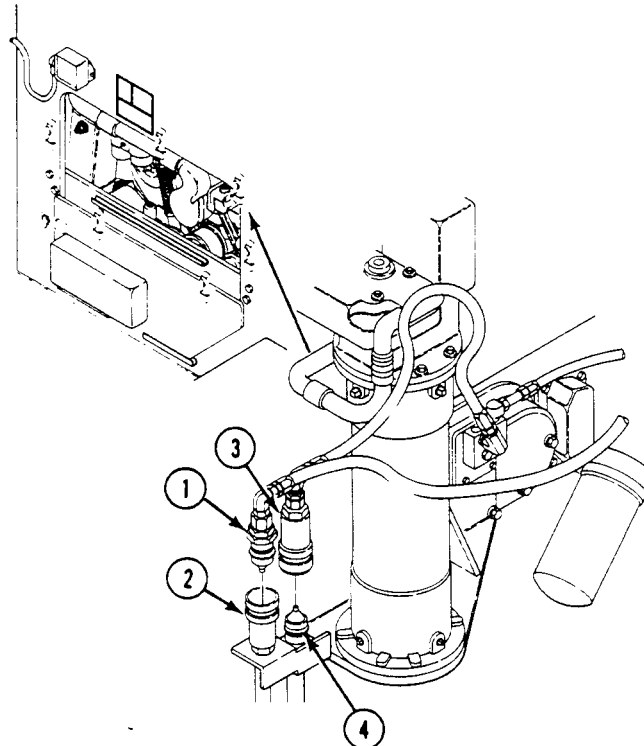
Adhesive (WP 0928 00, Item 4)
 Gasket
 Locknut (2)
 Lockwasher (2)

Personnel Required

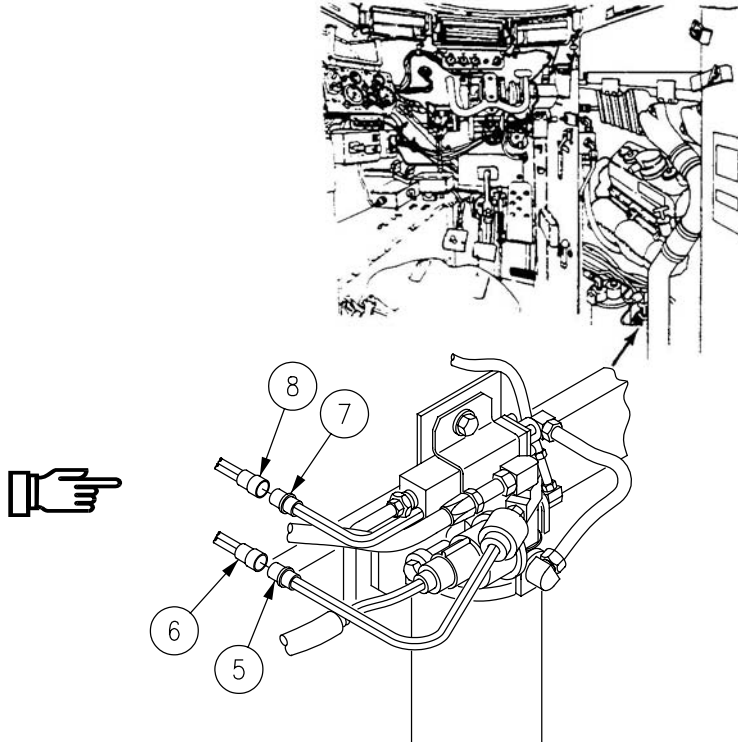
Unit Mechanic

REMOVAL

1. Disconnect fuel supply hose (1) at quick-disconnect fitting (2).
2. Disconnect fuel return hose (3) at quick-disconnect fitting (4).



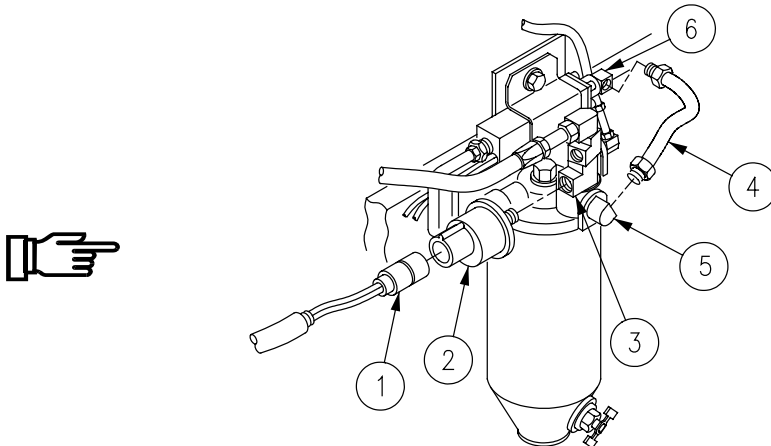
3. Disconnect fuel pressure transducer lead (5) from wiring harness (6).
4. Disconnect differential pressure switch lead (7) from wiring harness (8).



NOTE

Transducer removed from art view for clarity in removing field switch (2).

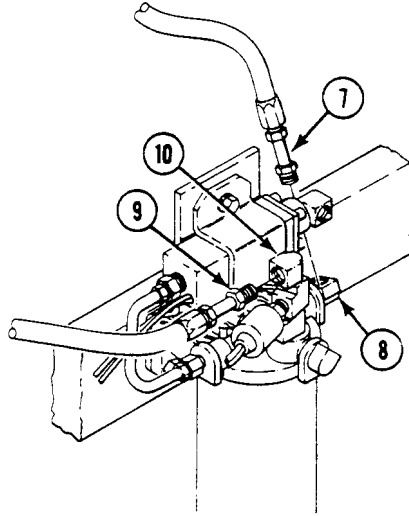
5. Disconnect field switch lead (1) from field switch (2). Remove field switch from elbow (3).
6. Remove fuel tube (4) from filter inlet elbow (5) and filter differential pressure switch elbow (6).



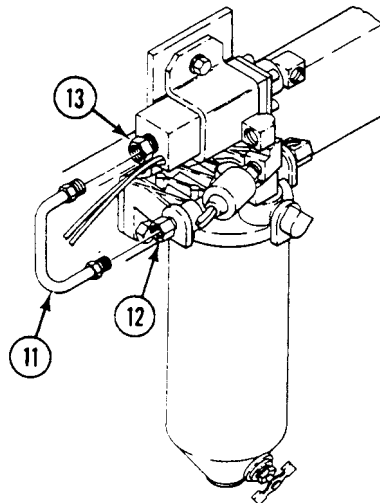
REPLACE FUEL FILTER DIFFERENTIAL PRESSURE SWITCH — Continued

0328 00

7. Disconnect hose (7) from fuel filter outlet elbow (8).
8. Disconnect hose (9) from fuel filter elbow (10).

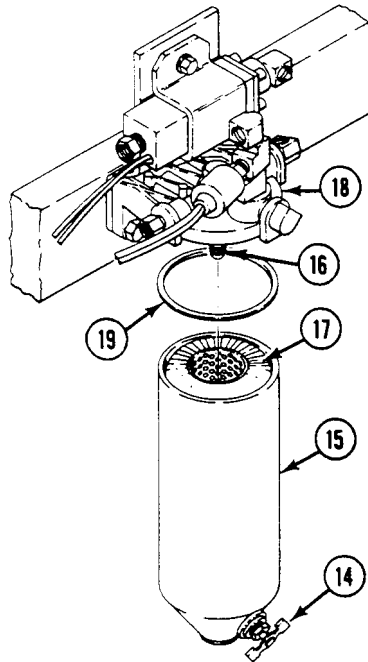


9. Remove tube (11) from fuel filter outlet adapter (12) and filter differential pressure switch adapter (13).

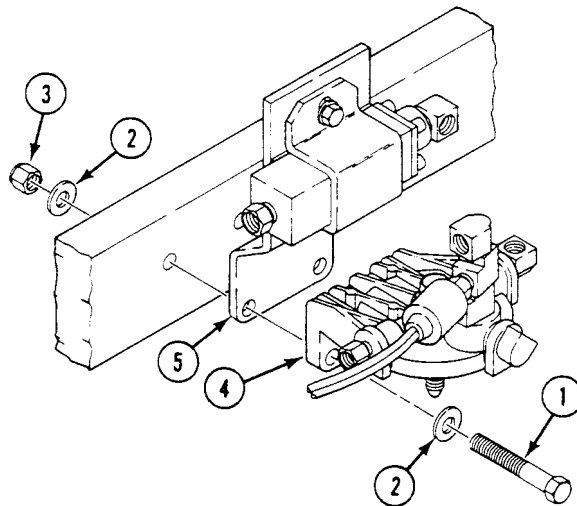


REPLACE FUEL FILTER DIFFERENTIAL PRESSURE SWITCH — Continued**0328 00**

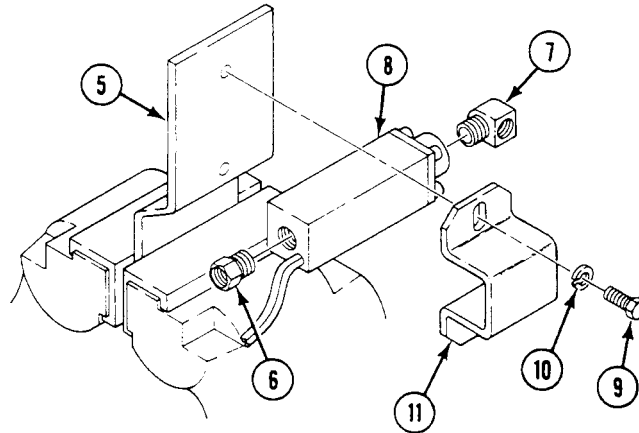
10. Place container under drain cock (14). Open drain cock and drain fuel. Close drain cock.
11. Hold filter canister (15). Loosen screw (16). Remove canister and filter element (17) from filter head (18).
12. Remove gasket (19) from filter head (18). Discard gasket.



13. Remove two screws (1), four washers (2), two locknuts (3), filter head (4) and differential pressure switch bracket (5) from engine. Discard locknuts.

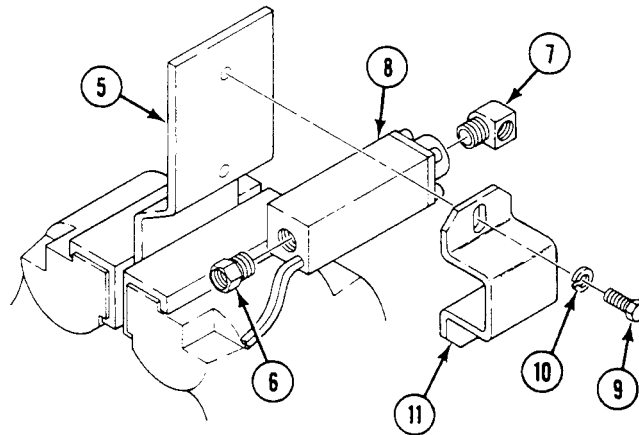


14. Clamp differential pressure switch bracket (5) in vise. Remove adapter (6) and elbow (7) from pressure switch (8).
15. Remove two screws (9), lockwashers (10), support (11) and differential pressure switch (8) from bracket (5). Discard lockwashers.

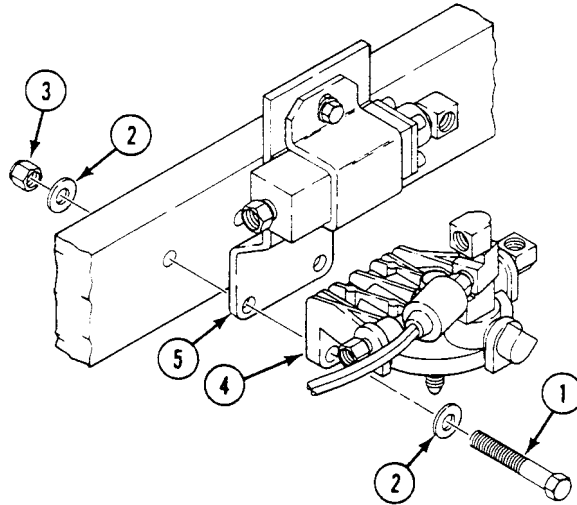


INSTALLATION

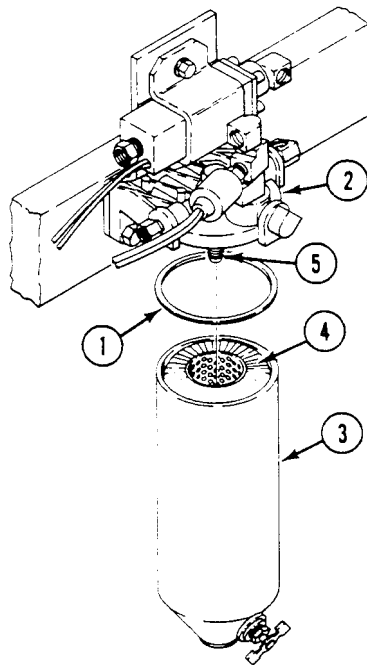
1. Clamp bracket (5) in vise. Install differential pressure switch (8) and support (11) on bracket. Secure with two screws (9) and new lockwashers (10).
2. Apply a thin coat of adhesive to external threads of fittings.
3. Install adapter (6) and elbow (7) on differential pressure switch (8).



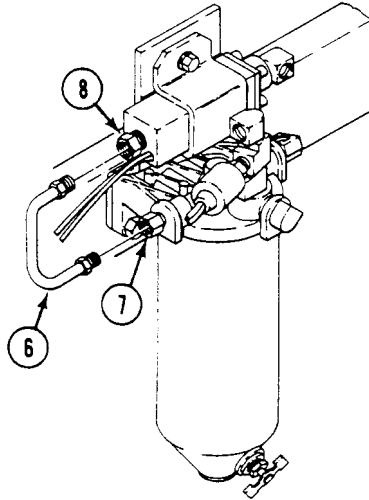
4. Install switch bracket (5) and filter head (4) on engine. Secure with two screws (1), four washers (2), and two new locknuts (3).



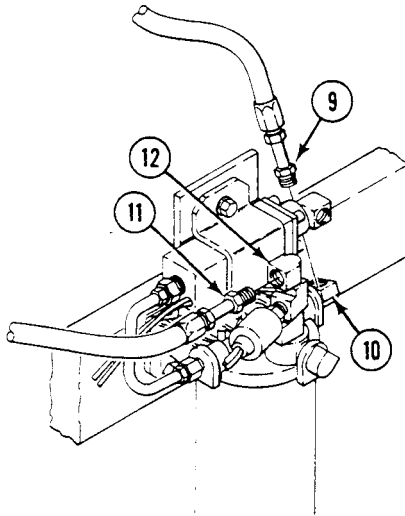
5. Install new gasket (1) on filter head (2).
6. Install filter canister (3) with filter element (4) on filter head (2). Tighten screw (5).



7. Install tube (6) on fuel filter outlet adapter (7) and filter differential pressure switch adapter (8).



8. Connect hose (9) to fuel filter elbow (10).
9. Connect hose (11) to fuel filter outlet elbow (12).

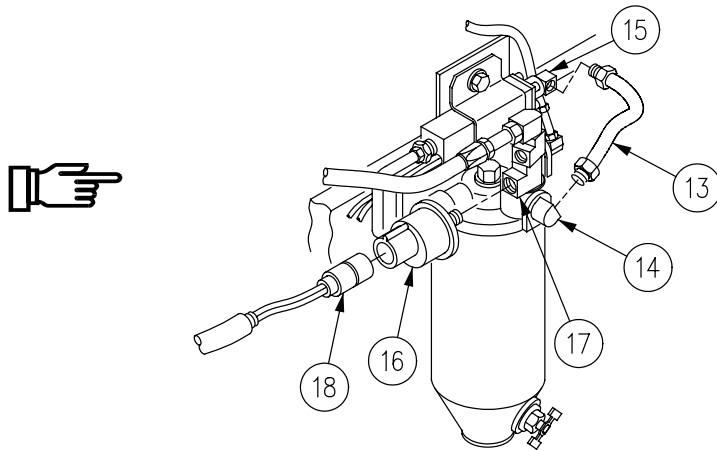


10. Install tube (13) on filter inlet elbow (14) and filter differential pressure switch elbow (15).
11. Apply a thin coat of adhesive to external threads of field switch (16).

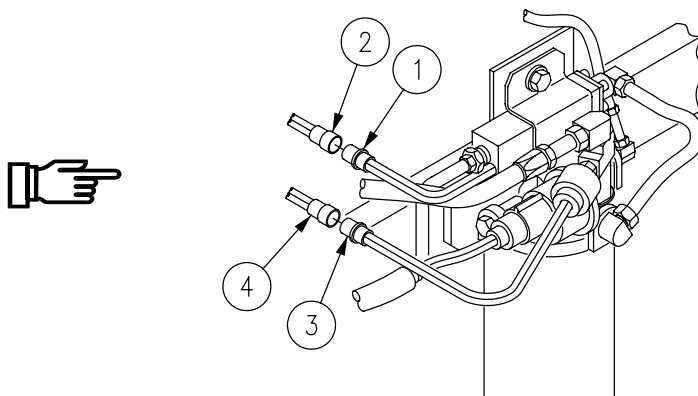
NOTE

Transducer removed from art view for clarity in installing field switch (16).

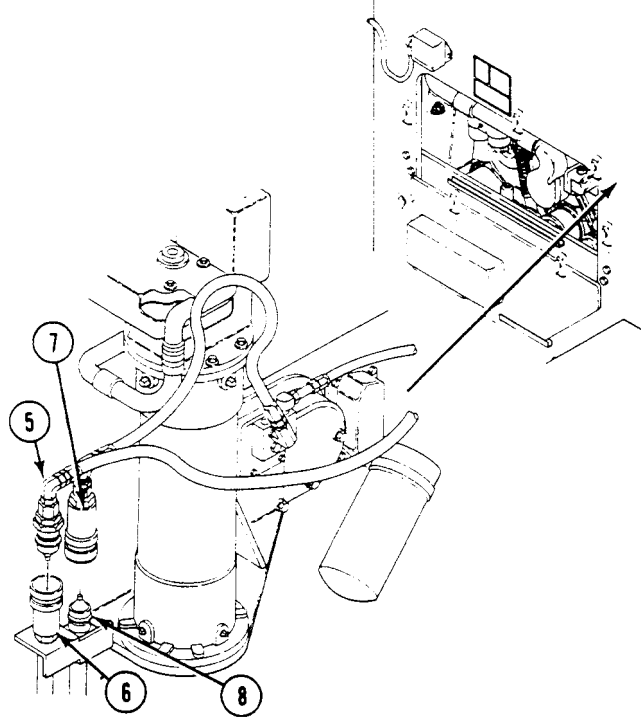
12. Install field switch (16) on elbow (17). Connect lead (18) to field switch.



13. Connect differential pressure switch lead (1) to wiring harness (2).
14. Connect fuel pressure transducer lead (3) to wiring harness (4).



15. Connect fuel supply hose (5) at quick-disconnect fitting (6).
16. Connect fuel return hose (7) at quick-disconnect fitting (8).

**FOLLOW-THROUGH STEPS**

1. Install driver's compartment access panel (see your -10).
2. Install power plant upper rear access panel (see your -10).
3. Connect battery ground strap (WP 0337 00), (WP 0338 00), (WP 0339 00).

END OF TASK

REPLACE AUXILIARY TANK FLUID LEVEL DETECTOR

0329 00

THIS WORK PACKAGE COVERS:

Removal (page 0329 00-1).
 Installation (page 0329 00-2).

INITIAL SETUP:

Maintenance Level

Unit

References

See your -10

Tools and Special Tools

General Mechanic's Tool Kit (WP 0926 00, Item 65)

Equipment Condition

Engine stopped (see your -10)

Materials/Parts

Sealing compound (WP 0928 00, Item 56)

Carrier blocked (see your -10)

Power plant upper rear access panel removed (see your -10)

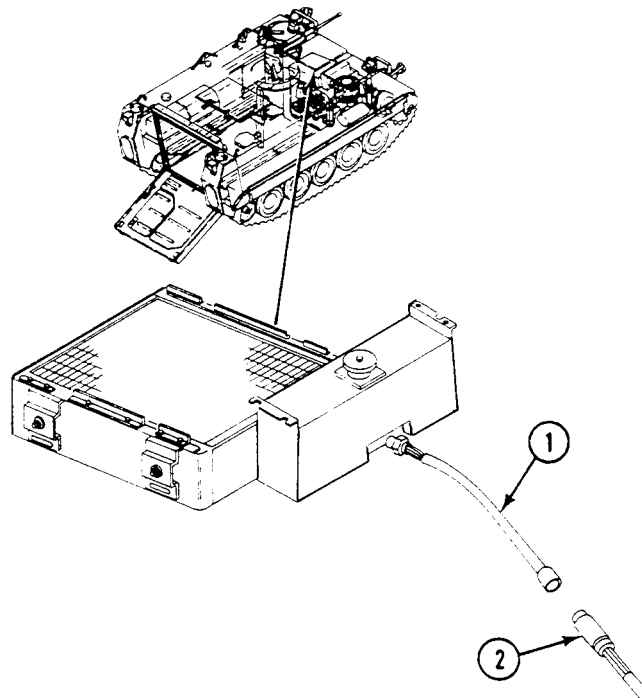
Personnel Required

Unit Mechanic

Cooling system drained until auxiliary tank empty (WP 0227 00)

REMOVAL

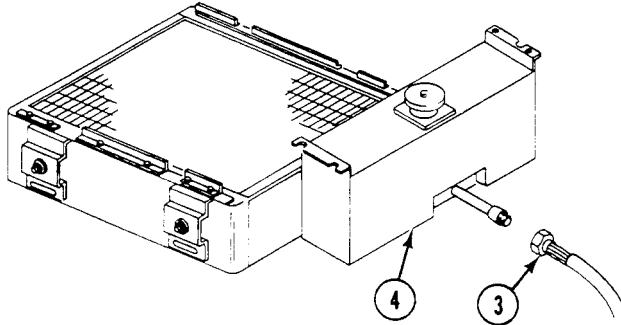
1. Disconnect detector cable (1) from connector (2).



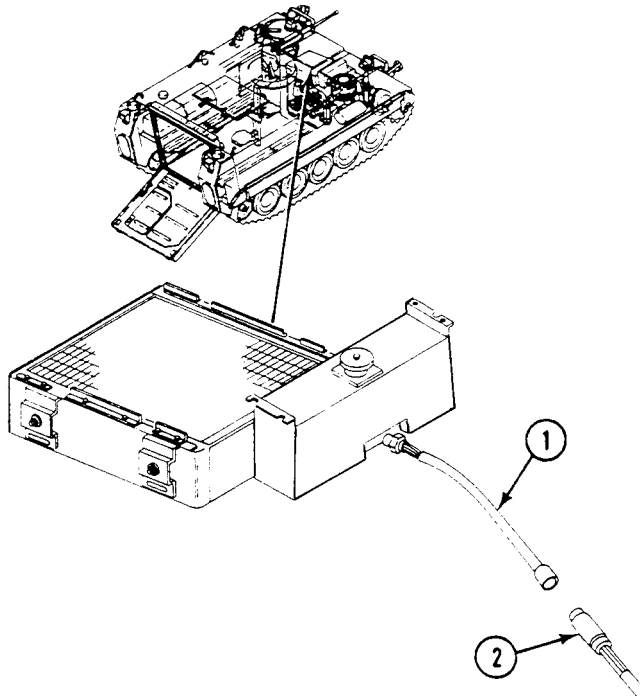
2. Remove detector (3) from auxiliary tank (4).

INSTALLATION

1. Apply sealing compound to threads of detector (3).
2. Install detector (3) on auxiliary tank (4).



3. Connect detector cable (1) to connector (2).



FOLLOW-THROUGH STEPS

1. Fill cooling system (WP 0227 00).
2. Install power plant upper rear access panel (see your -10).

END OF TASK

REPLACE STEERING LOCK SWITCH

0330 00

THIS WORK PACKAGE COVERS:

Removal (page 0330 00-2).
 Installation (page 0330 00-3).

INITIAL SETUP:

Maintenance Level

Unit

References

See your -10

Tools and Special Tools

General Mechanic's Tool Kit (WP 0926 00, Item 65)

Equipment Condition

Engine stopped (see your -10)

Carrier blocked (see your -10)

Materials/Parts

Tiedown strap

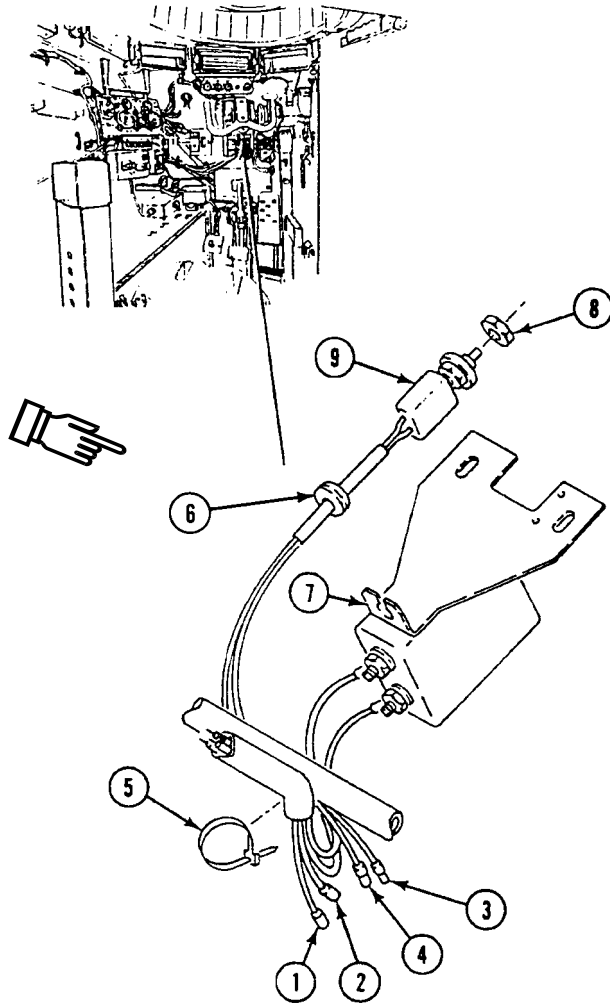
Solenoid bracket removed (WP 0428 00) or control
 assembly bracket removed (WP 0429 00)

Personnel Required

Unit Mechanic

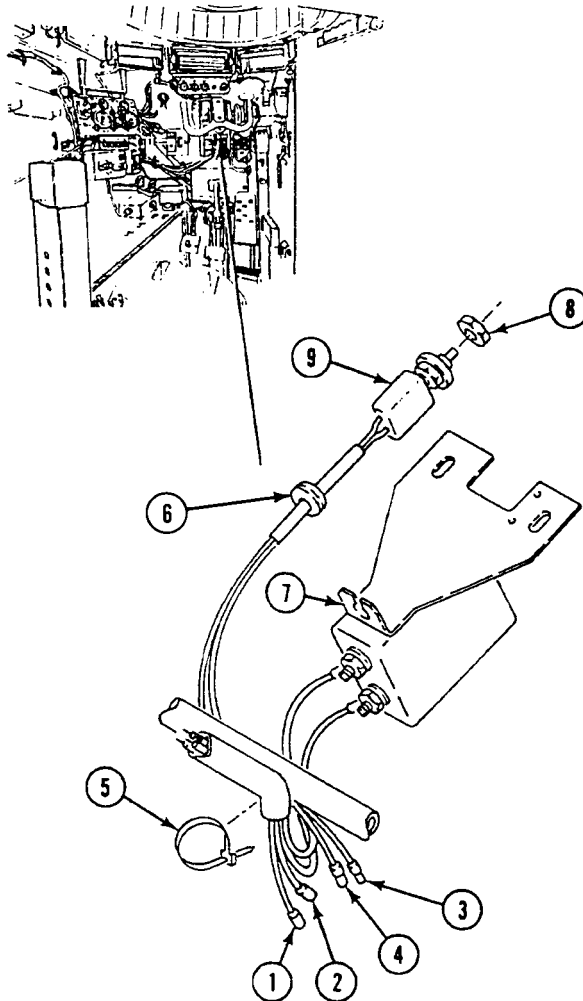
REMOVAL

1. Disconnect leads 369 and 369A (used on solenoid-activated lock) or leads 368 and 369A (used on cable-activated lock) (1) and (2) from switch leads (3) and (4). Cut and remove tiedown strap (5). Discard strap.
2. Remove grommet (6) with leads (3) and (4) from bracket (7).
3. Loosen jamnut (8). Remove jamnut by hand, and remove switch (9) from bracket (7).



INSTALLATION

1. Remove forward jamnut (8) on new switch (9) by hand. Do not remove rear jamnut, lockwasher, and keyway washer.
2. Install switch (9) into bracket (7), running jamnut down to bracket.
3. Adjust switch (9) so plunger is fully depressed when steering is unlocked (transmission controller in any position except SL). Tighten jamnuts (8) on switch.
4. Install switch leads (3) and (4) with grommet (6) on bracket (7).
5. Connect leads 369 and 369A (used on solenoid-activated lock) or leads 368 and 369A (used on cable-activated lock) (1) and (2) to switch leads (3) and (4). Secure with new tiedown strap (5).

**FOLLOW-THROUGH STEPS**

1. Install solenoid bracket (WP 0428 00) or control assembly bracket (WP 0429 00).

END OF TASK

REPLACE PARKING BRAKE SWITCH/BRACKET

0331 00

THIS WORK PACKAGE COVERS:

- Removal (page 0331 00-1).
- Cleaning and inspection (page 0331 00-3).
- Installation (page 0331 00-3).
- Adjustment (page 0331 00-4).

INITIAL SETUP:

Maintenance Level

Unit

Personnel Required

Unit Mechanic

Tools and Special Tools

- General Mechanic's Tool Kit (WP 0926 00, Item 65)
- Multimeter (WP 0926 00, Item 30)

References

See your -10

Materials/Parts

- Cleaning compound (WP 0928 00, Item 19)
- Wiping rag (WP 0928 00, Item 65)
- Locknut (1 or 2)

Equipment Condition

- Engine stopped (see your -10)
 - Carrier blocked (see your -10)
 - Battery ground strap disconnected (WP 0337 00), (WP 0338 00), or (WP 0339 00)
-

REMOVAL

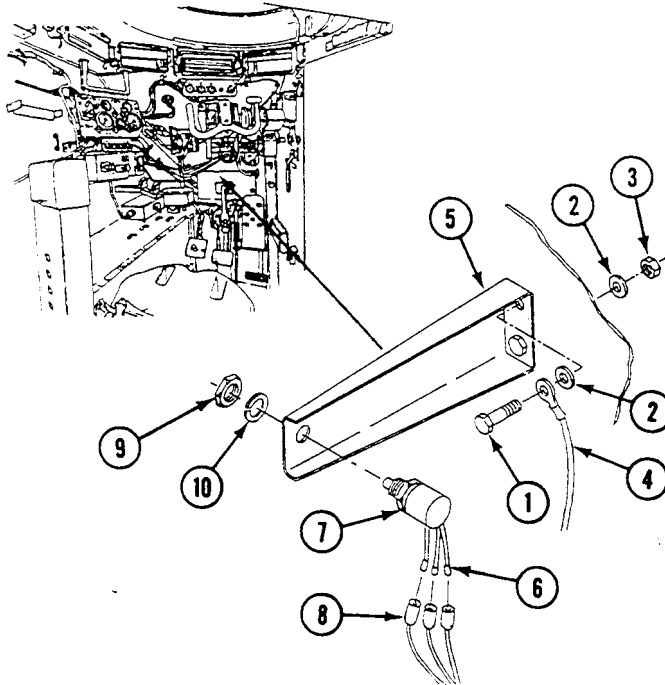
1. Remove screw (1), two washers (2), locknut (3), and switch ground lead (4) from bracket (5). Discard locknut.

2. Disconnect three plugs (6) on switch (7) from wiring harness (8) leads 366A, 367, and 370.
3. Remove jamnut (9) and lockwasher (10) from switch (7). Remove switch from bracket (5).

NOTE

Do Step 4 if bracket needs to be removed.

4. Remove other screw (1), two washers (2), and locknut (3) that secure bracket (5) to hull. Remove bracket from hull. Discard locknut.



CLEANING

CLEANING AND INSPECTION

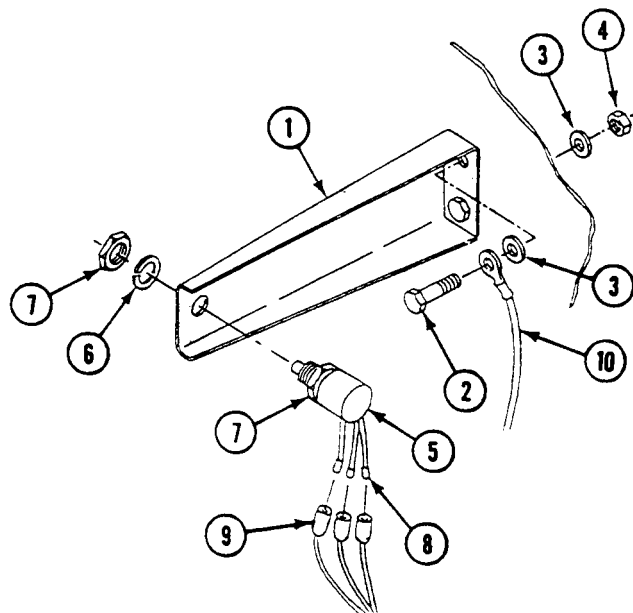
1. Clean switch with dry rag.
2. Clean switch with cleaning compound.
3. Check circuit 370 lead and ground lead for continuity with switch plunger depressed. If test indicates open circuit, replace defective switch.
4. Check circuit 367 lead and 366A lead for continuity with switch plunger released. If test indicates open circuit, replace defective switch.

INSTALLATION

NOTE

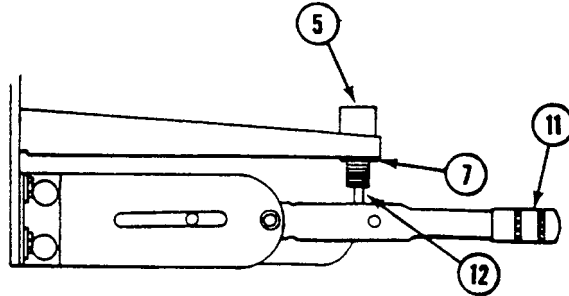
Do Step 1 if bracket was removed.

1. Install bracket (1) on hull. Secure with one screw (2), two washers (3), and new locknut (4). Tighten screw.
2. Install switch (5) on bracket (1). Secure with lockwasher (6) and jamnut (7). Do not tighten nut.
3. Connect three plugs (8) on switch (5) to wiring harness (9) leads 366A, 367, and 370. Make sure lead numbers match.
4. Install switch ground lead (10) on bracket (1). Secure with other screw (2), two washers (3), and new locknut (4). Tighten screw.



ADJUSTMENT

1. Position parking brake (11) on. Adjust jamnuts (7) until switch plunger (12) is fully depressed. Tighten jamnuts.

**FOLLOW-THROUGH STEPS**

1. Connect battery ground strap (WP 0337 00), (WP 0338 00), or (WP 0339 00).
2. Turn MASTER SWITCH to ON (see your -10).
3. With parking brake handle pulled, PARKING BRAKE indicator light should be on (see your -10).
4. Release parking brake handle. PARKING BRAKE indicator light should go off (see your -10).
5. Turn MASTER SWITCH to OFF (see your -10).
6. Reset parking brake handle (see your -10).

END OF TASK

REPLACE STOP SWITCH

0332 00

THIS WORK PACKAGE COVERS:

- Removal (page 0332 00-1).
- Cleaning and Inspection (page 0332 00-1).
- Installation (page 0332 00-2).

INITIAL SETUP:

Maintenance Level

Unit

Personnel Required

Unit Mechanic

Tools and Special Tools

- General Mechanic's Tool Kit (WP 0926 00, Item 65)
- Multimeter (WP 0926 00, Item 30)

References

See your -10

Materials/Parts

- Cleaning compound (WP 0928 00, Item 19)

Equipment Condition

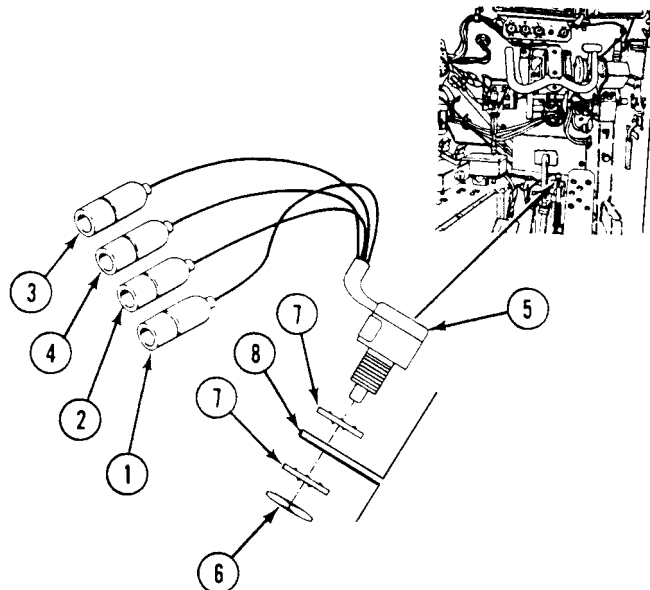
- Engine stopped (see your -10)
- Carrier blocked (see your -10)

REMOVAL

NOTE

Tag all leads before removal.

1. Disconnect circuit 75A lead (1), circuit 75B lead (2), circuit 366 lead (3), and circuit 366A lead (4) from stop switch (5). Remove leads from switch.
2. Remove jamnut (6), two washers (7), and switch (5) from bracket (8).



CLEANING

CLEANING AND INSPECTION

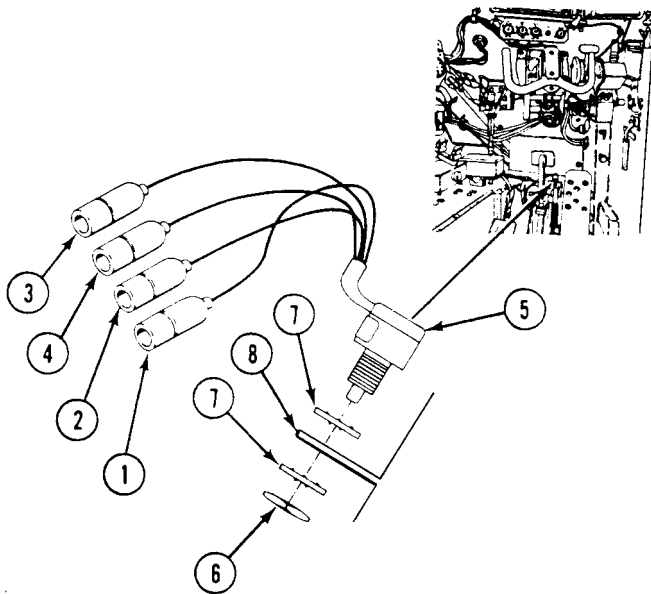
1. Clean switch (5) with cleaning compound.

REPLACE STOP SWITCH — Continued**0332 00**

2. Check circuit 75A lead and circuit 75B lead for continuity with switch plunger depressed. If test indicates open circuit, replace defective switch.
3. Check circuit 366 lead and circuit 366A lead for continuity with switch plunger released. If test indicates open circuit, replace defective switch.

INSTALLATION

1. Place switch (5) on bracket (8). Secure with two washers (7) and jamnut (6).
2. Connect circuit 75A lead (1), circuit 75B lead (2), circuit 366 lead (3), and circuit 366A lead (4) to stop switch (5).

**END OF TASK**

REPLACE HEADLIGHT HIGH BEAM SELECTOR SWITCH

0333 00

THIS WORK PACKAGE COVERS:

Removal (page 0333 00-1).
 Installation (page 0333 00-2).

INITIAL SETUP:

Maintenance Level

Unit

Personnel Required

Unit Mechanic

Tools and Special Tools

General Mechanic's Tool Kit (WP 0926 00, Item 65)

References

See your -10

Materials/Parts

Lockwasher (2)

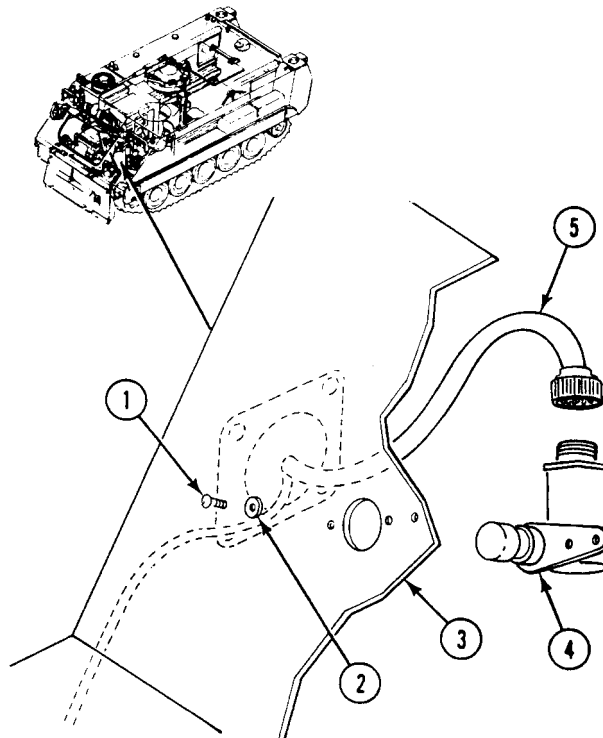
Equipment Condition

Engine stopped (see your -10)

Carrier blocked (see your -10)

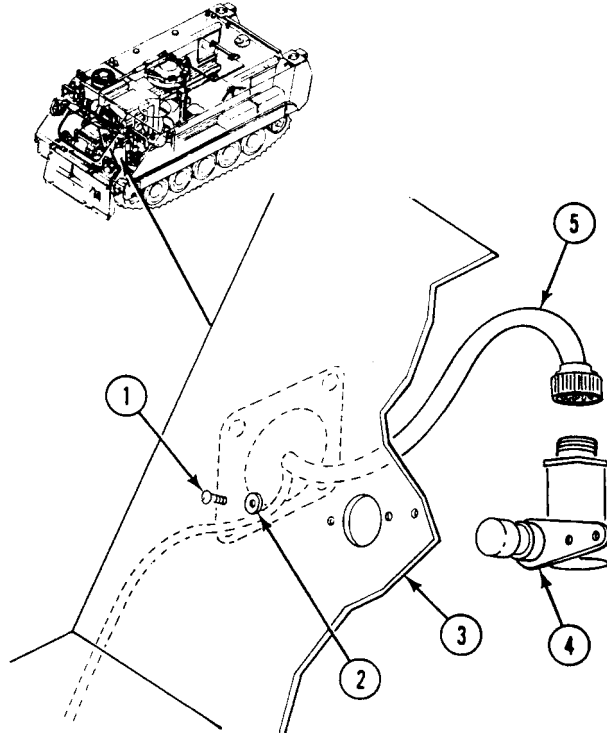
REMOVAL

1. From driver's compartment, remove two screws (1) and lockwashers (2) from bracket (3). Discard lockwashers.
2. Remove switch (4) from bracket (3).
3. Disconnect cable (5) from rear of light beam selector switch (4).



INSTALLATION

1. Connect cable (5) to rear of switch (4).
2. Install switch (4) in bracket (3).
3. Secure switch (4) to bracket (3) with two new lockwashers (2) and screws (1).

**FOLLOW-THROUGH STEPS**

1. Turn MASTER SWITCH ON (see your -10).
2. Turn on service headlights and operate beam selector switch to check that switch works right (see your -10).
3. Turn all switches OFF (see your -10).

END OF TASK

REPLACE ADMITTANCE BUZZER AND SWITCH (M577A3 AND M1068A3 ONLY)

0334 00

THIS WORK PACKAGE COVERS:

- Removal (page 0334 00-1).
- Inspection (page 0334 00-2).
- Installation (page 0334 00-2).

INITIAL SETUP:

Maintenance Level

Unit

Personnel Required

Unit Mechanic

Tools and Special Tools

General Mechanic's Tool Kit (WP 0926 00, Item 65)

References

See your -10

Materials/Parts

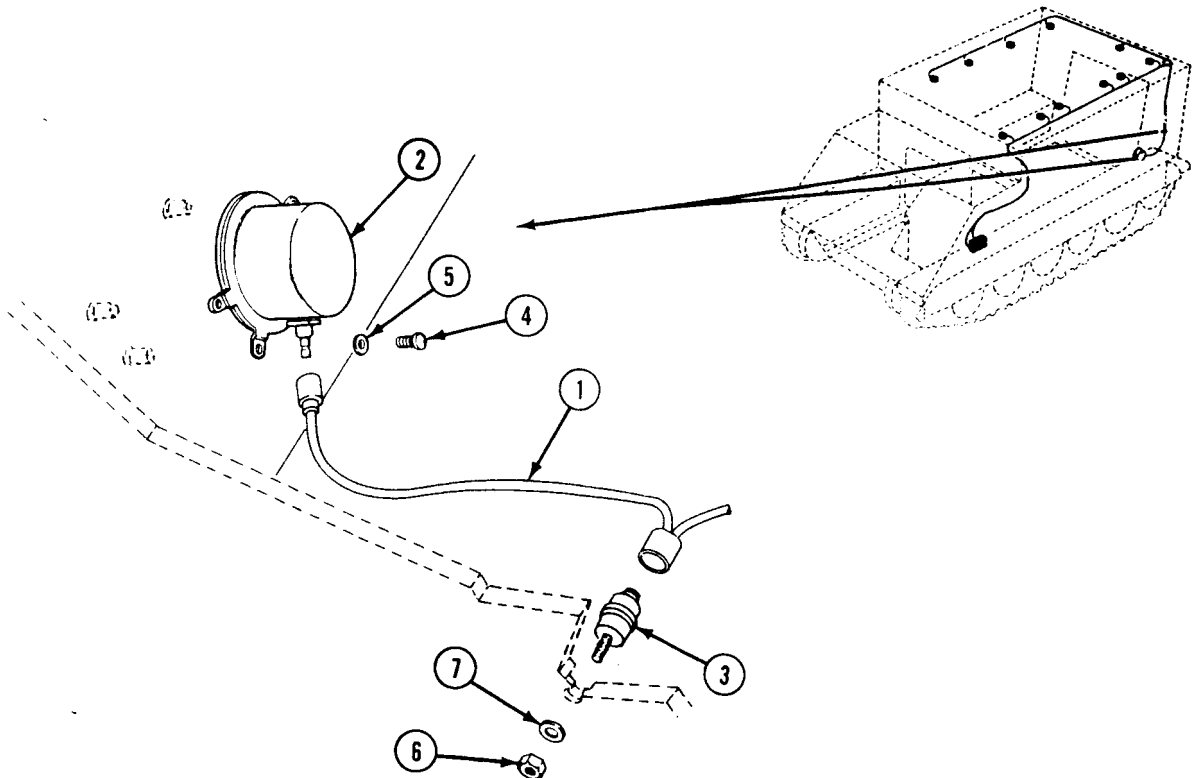
Gasket
Lockwasher (3)

Equipment Condition

Engine stopped (see your -10)
Carrier blocked (see your -10)
Battery ground lead disconnected (WP 0338 00)

REMOVAL

1. Disconnect circuit 509 lead (1) from buzzer (2) and from buzzer switch (3).
2. Remove three screws (4), lockwashers (5) and buzzer (2) from weldnuts on left bulkhead. Discard lockwashers.
3. Remove nut (6), gasket (7), and buzzer switch (3) from rear bulkhead. Discard gasket.



REPLACE ADMITTANCE BUZZER AND SWITCH (M577A3 AND M1068A3 ONLY) —
Continued

0334 00

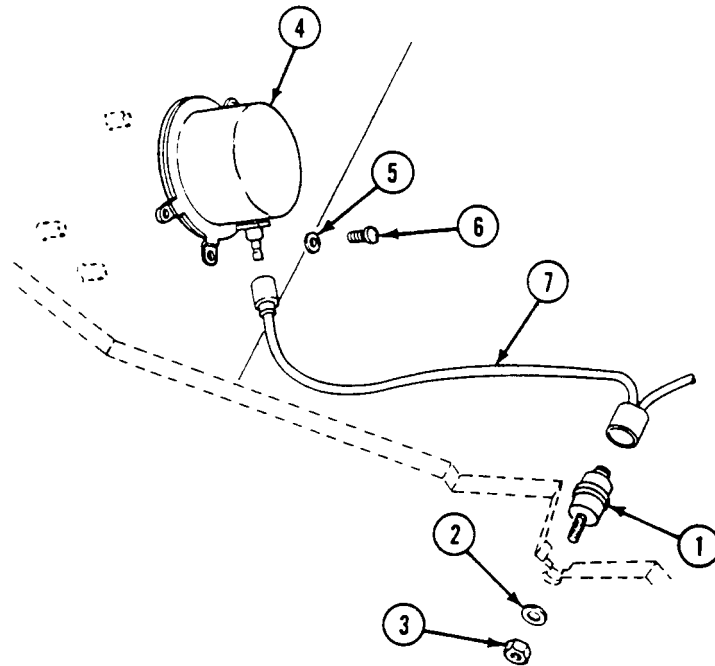
INSPECTION-ACCEPTANCE AND REJECTION CRITERIA

1. Check buzzer and switch. See troubleshooting (WP 0042 00). Replace bad buzzer or switch.

INSTALLATION**NOTE**

A new buzzer switch is equipped with two nuts and two washers. Before installing new buzzer switch, discard one nut and one washer.

1. Install buzzer switch (1) in rear bulkhead. Secure with new gasket (2) and nut (3).
2. Place buzzer (4) on weldnuts on left bulkhead. Secure with three new lockwashers (5) and screws (6).
3. Connect circuit 509 lead (7) to buzzer (4) and to buzzer switch (1).

**FOLLOW-THROUGH STEPS**

1. Connect battery ground lead (WP 0338 00).
2. Turn MASTER SWITCH ON (see your -10).
3. Operate buzzer switch to check that buzzer and switch operate properly (see your -10).
4. Turn MASTER SWITCH OFF (see your -10).

END OF TASK

REPLACE RAMP DOOR SWITCH AND MOUNT (M577A3 AND M1068A3 ONLY)

0335 00

THIS WORK PACKAGE COVERS:

- Removal (page 0335 00-1).
- Inspection (page 0335 00-2).
- Installation (page 0335 00-3).
- Adjustment (page 0335 00-4).

INITIAL SETUP:

Maintenance Level

Unit

Personnel Required

Unit Mechanic

Tools and Special Tools

General Mechanic's Tool Kit (WP 0926 00, Item 65)

References

See your -10

Materials/Parts

Locknut (4)
Locknut

Equipment Condition

Engine stopped (see your -10)
Carrier blocked (see your -10)
Battery ground lead disconnected (WP 0338 00)

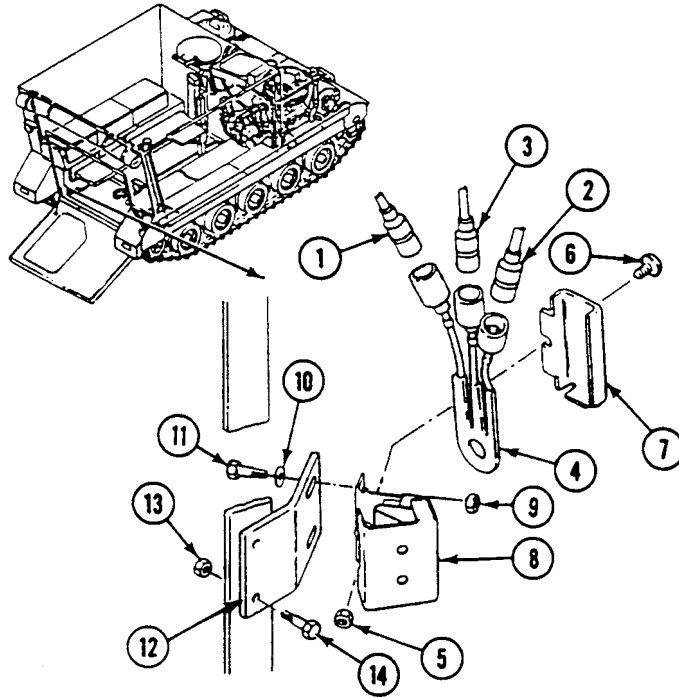
REMOVAL

1. Disconnect circuit 38 lead (1), circuit 38B lead (2), and circuit 38C lead (3) from ramp door switch (4).

REPLACE RAMP DOOR SWITCH AND MOUNT (M577A3 AND M1068A3 ONLY) —
Continued

0335 00

2. Remove locknut (5), screw (6), and retainer (7) from actuator (8). Discard locknut.
3. Remove switch (4) from actuator (8).
4. Remove two locknuts (9), washers (10), screws (11), and actuator (8) from bracket (12). Discard locknuts.
5. Remove two locknuts (13), screws (14), and bracket (12) from hull. Discard locknuts.

**INSPECTION-ACCEPTANCE AND REJECTION CRITERIA**

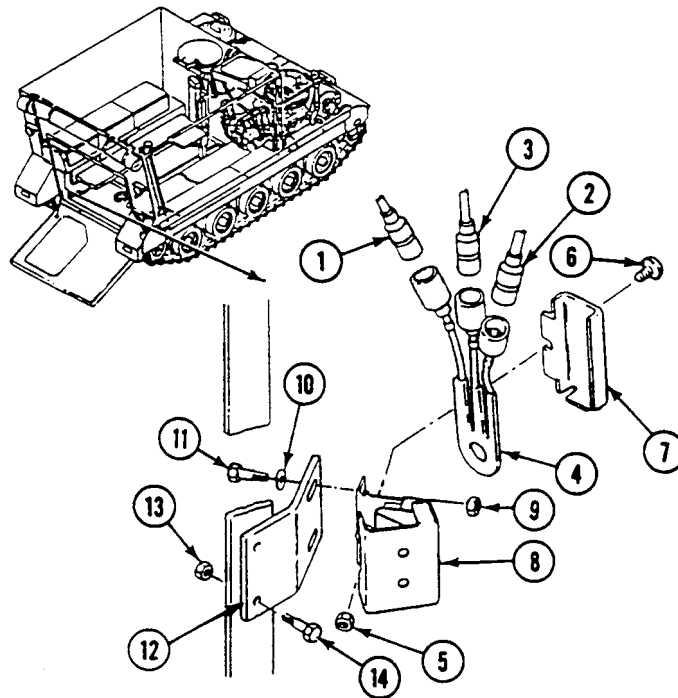
1. Check for cracks or other damage to switch. If damaged, replace switch.

**REPLACE RAMP DOOR SWITCH AND MOUNT (M577A3 AND M1068A3 ONLY) —
Continued**

0335 00

INSTALLATION

1. Place bracket (12) on hull. Secure with two screws (14) and new locknuts (13).
2. Place actuator (8) on bracket (12). Secure with two screws (11), washers (10), and new locknuts (9). Do not tighten screws until ramp door switch is adjusted (Steps 1 - 9).
3. Place switch (4) on actuator (8). Secure with retainer (7), screw (6), and new locknut (5).
4. Connect circuit 38C lead (3), circuit 38B lead (2), and circuit 38 lead (1) to ramp door switch (4).

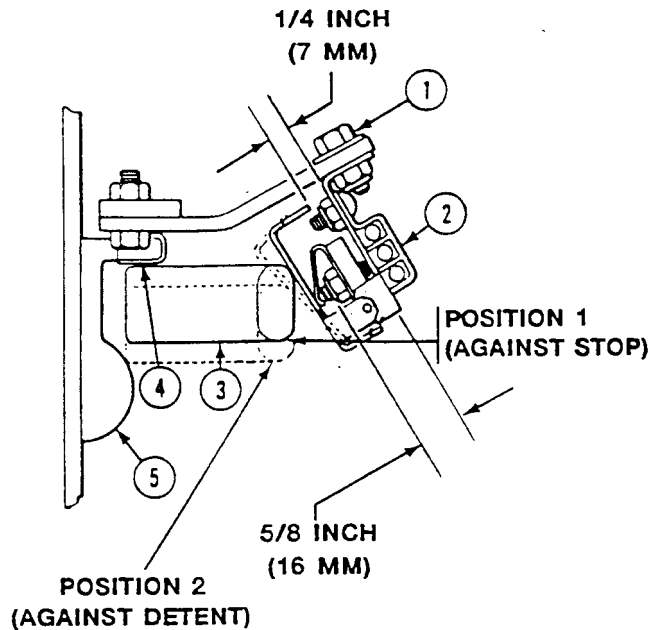


**REPLACE RAMP DOOR SWITCH AND MOUNT (M577A3 AND M1068A3 ONLY) —
Continued**

0335 00

ADJUSTMENT

1. Connect battery ground lead (WP 0338 00).
2. Start engine (see your -10).
3. Raise and lock ramp (see your -10).
4. Stop engine (see your -10).
5. Loosen two screws (1) and slide switch (2) as far as possible from hull.
6. Lock ramp door handle (3) against stop (4) (see Position 1 – Against Stop).
7. Slide switch (2) against handle (3) to get approximately 1/4 inch (7 mm) clearance. Tighten screws (1).
8. Move handle (3) against detent (5) (see Position 2 – Against Detent). Clearance should be approximately 5/8 inch (16 mm).
9. Check switch for proper operation. When handle (3) is in Position 2 (Against Detent), interior lights (white) should come on and blue light should be off. When handle is in Position 1 (Against Stop) interior lights (white) should be off and blue lights should be on. Repeat Steps 5 - 9 to make adjustments until switch operates correctly.



FOLLOW-THROUGH STEPS

1. Turn MASTER SWITCH to ON (see your -10).
2. Turn on dome lights and open ramp access door (see your -10). All dome lights should go off and blackout lights should come on.
3. Turn all switches OFF (see your -10).
4. Turn MASTER SWITCH to OFF (see your -10).

END OF TASK

REPLACE HORN AND GROUND LEAD

0336 00

THIS WORK PACKAGE COVERS:

Removal (page 0336 00-1).
 Installation (page 0336 00-3).

INITIAL SETUP:

Maintenance Level

Unit

References

See your -10

Tools and Special Tools

General Mechanic's Tool Kit (WP 0926 00, Item 65)

Equipment Condition

Engine stopped (see your -10)

Materials/Parts

Lockwasher

Carrier blocked (see your -10)

Personnel Required

Unit Mechanic

Battery ground strap disconnected (WP 0337 00),
 (WP 0338 00), or (WP 0339 00)

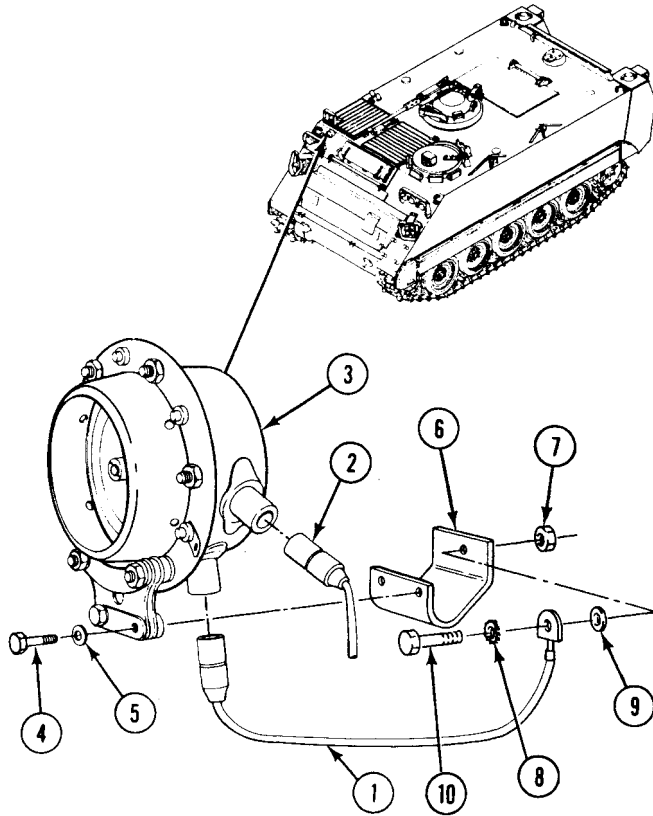
REMOVAL

NOTE

If ground lead is to be replaced only, do Removal Step 1 and Step 3, Installation Step 1 and Step 3.

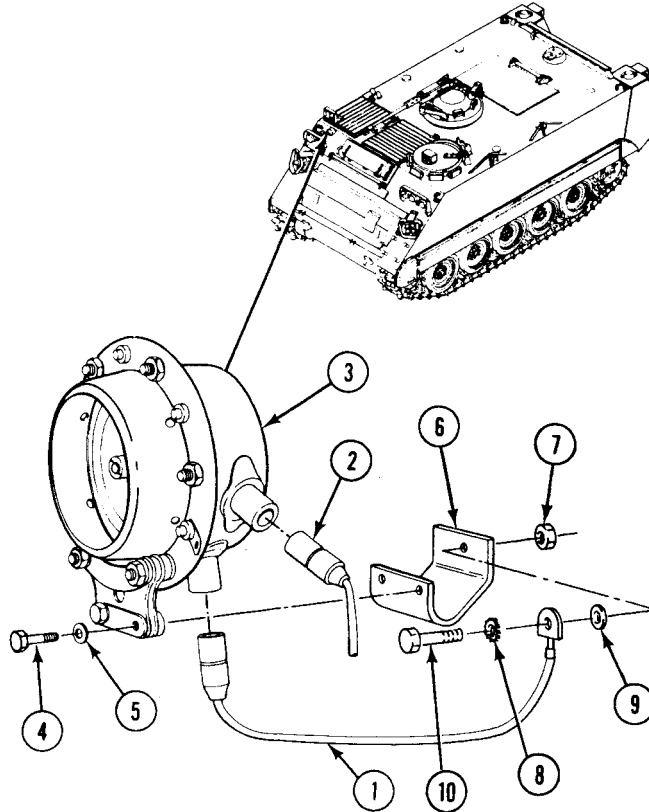
1. Disconnect ground lead (1) and circuit 25 lead (2) from horn (3).
2. Remove two screws (4), lockwashers (5), and horn (3) from hull bracket (6).

3. Remove nut (7), lockwasher (8), ground lead (1), washer (9), and screw (10) from bracket (6). Discard lockwasher.



INSTALLATION

1. Install ground lead (1) on bracket (6). Secure with screw (10), washer (9), new lockwasher (8), and nut (7).
2. Install horn (3) on bracket (6). Secure with two lockwashers (5) and screws (4).
3. Connect circuit 25 lead (2) and ground lead (1) to horn (3).

**FOLLOW-THROUGH STEPS**

1. Connect battery ground strap (WP 0337 00), (WP 0338 00), (WP 0339 00).
2. Turn MASTER SWITCH ON (see your -10).
3. Press HORN switch to check that horn works (see your -10).
4. Turn MASTER SWITCH OFF (see your -10).

END OF TASK

DISCONNECT/CONNECT BATTERY GROUND STRAP (M113A3, M1059A3, M1064A3, AND M58 ONLY)

0337 00 ■

THIS WORK PACKAGE COVERS:

- Disconnect (page 0337 00-1).
- Connect (page 0337 00-2).

INITIAL SETUP:

Maintenance Level

Unit

References

See your -10

Tools and Special Tools

General Mechanic's Tool Kit (WP 0926 00, Item 65)

Equipment Condition

Engine stopped (see your -10)

Materials/Parts

Insulation tape (WP 0928 00, Item 39)

Locknut

Carrier blocked (see your -10)

Personnel Required

Unit Mechanic

All radios and heaters OFF (see your -10)

Spall liners opened (M113A3 only) (see your -10)

DISCONNECT

WARNING



Battery posts and cables touched by metal objects can short circuit and burn you or injure you. Use caution when you work with tools or other metal objects. Do not wear jewelry when you work on electrical system.

Some circuits remain energized even when MASTER SWITCH is OFF. Make sure ground strap is disconnected when there is any possibility that the circuit you are working on could be energized.

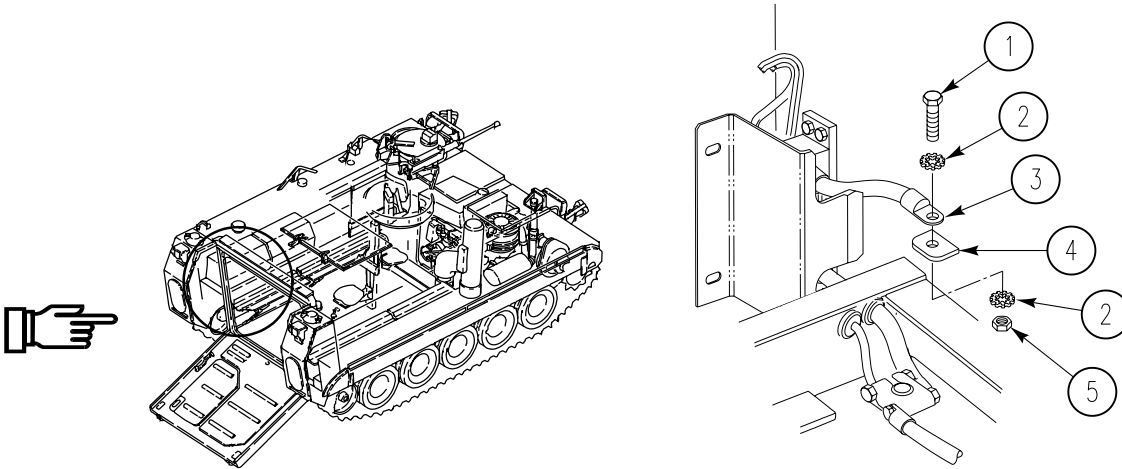
DISCONNECT/CONNECT BATTERY GROUND STRAP (M113A3, M1059A3, M1064A3, AND M58 ONLY) — Continued

0337 00

NOTE

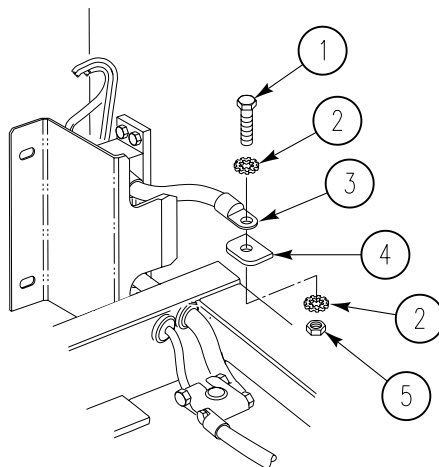
Battery shunts are located differently, and some have guards, and some have cables, but all ground straps/cables are disconnected the same.

1. Remove locknut (5), screw (1), two lockwashers (2), and ground strap (3) from hull lug (4). Discard locknut and lockwashers.
2. Tape all of ground strap (3) with insulation tape.



CONNECT

1. Remove tape from ground strap (3).
2. Install ground strap (3) on hull lug (4). Secure with two new lockwashers (2), screw (1), and new locknut (5).



END OF TASK

DISCONNECT/CONNECT BATTERY GROUND LEAD (M577A3 AND M1068A3 ONLY)

0338 00

THIS WORK PACKAGE COVERS:

Disconnect (page 0338 00-1).
Connect (page 0338 00-3).

INITIAL SETUP:

Maintenance Level

Unit

References

See your -10

Tools and Special Tools

General Mechanic's Tool Kit (WP 0926 00, Item 65)

Equipment Condition

Engine stopped (see your -10)
Carrier blocked (see your -10)
All radios and heaters OFF (see your -10)
Battery access cover removed (see your -10)

Materials/Parts

Insulation tape (WP 0928 00, Item 39)

Personnel Required

Unit Mechanic

REMOVAL

DISCONNECT

WARNING



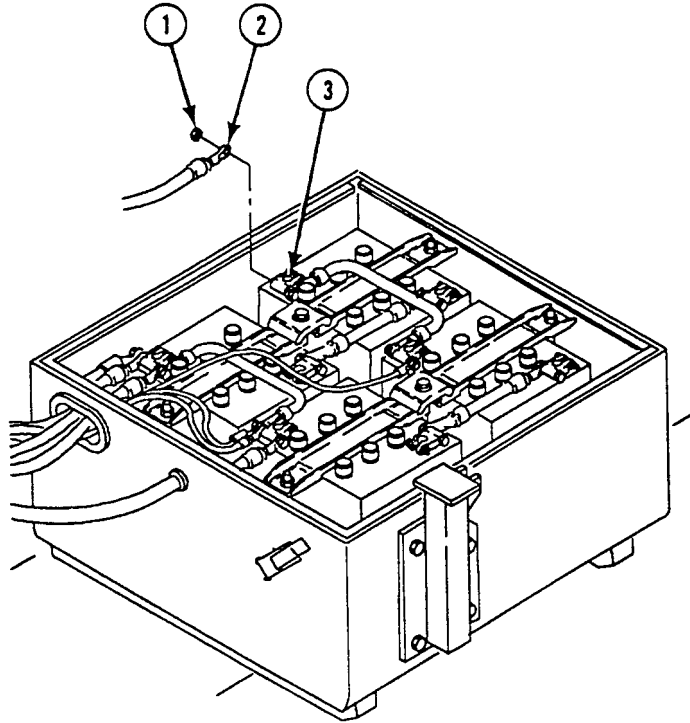
Battery posts and cables touched by metal objects can short circuit, and burn you or injure you. Use caution when working with tools or other metal objects. Do not wear jewelry when working on electrical systems.

Some circuits remain energized even when MASTER SWITCH is OFF. Make sure ground lead is disconnected if there is any possibility that the circuit you are working on could be energized.

DISCONNECT/CONNECT BATTERY GROUND LEAD (M577A3 AND M1068A3 ONLY) —
Continued

0338 00

1. Remove nut (1) and ground lead (2) from battery negative terminal (3). Reinstall nut to secure other lead to terminal.
2. Tape end of ground lead (2) with insulation tape.

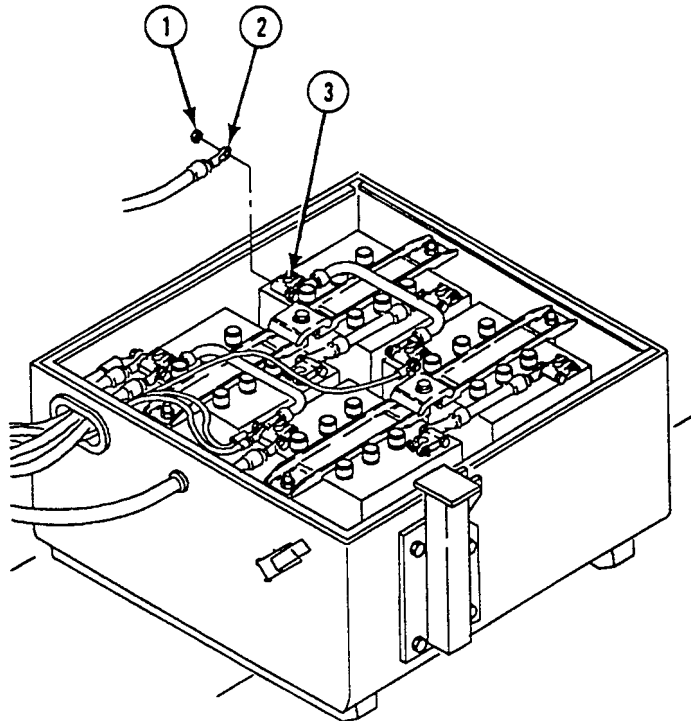


DISCONNECT/CONNECT BATTERY GROUND LEAD (M577A3 AND M1068A3 ONLY) —
Continued

0338 00

INSTALLATION**CONNECT**

1. Remove tape from ground lead (2).
2. Remove nut (1) from battery negative terminal (3). Install ground lead (2) on battery negative terminal. Secure with nut (1).

**FOLLOW-THROUGH STEPS**

1. Install battery access cover (see your -10).

END OF TASK

REPLACE BATTERY LEADS AND TERMINALS (M113A3 AND M1059A3 ONLY)

0340 00

THIS WORK PACKAGE COVERS:

- Removal (page 0340 00-1).
- Cleaning and Inspection (page 0340 00-3).
- Installation (page 0340 00-4).

INITIAL SETUP:

Maintenance Level

Unit

References

See your -10

Tools and Special Tools

- General Mechanic's Tool Kit (WP 0926 00, Item 65)
- Battery Wire Brush (WP 0926 00, Item 10)
- Battery Terminal Puller (WP 0926 00, Item 37)

Equipment Condition

- Engine stopped (see your -10)
- Carrier blocked (see your -10)
- Ramp lowered (see your -10)
- Battery ground strap disconnected (WP 0337 00)
- Spall liners opened (M113A3) (see your -10)
- Battery access covers removed (see your -10)

Materials/Parts

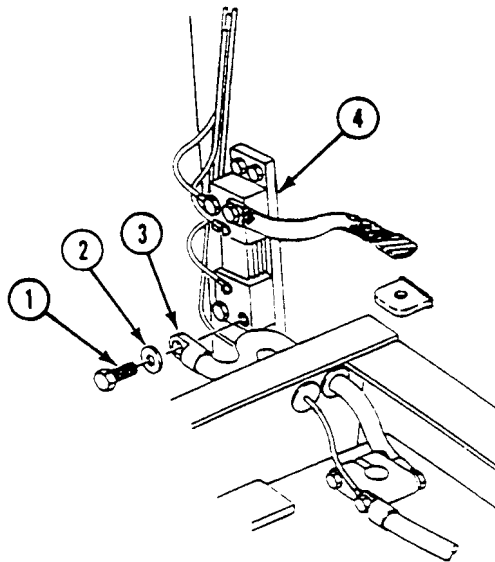
- Grease (WP 0928 00, Item 12)
- Sodium bicarbonate (WP 0928 00, Item 60)
- Grommet (3)

Personnel Required

Unit Mechanic

REMOVAL

1. Remove screw (1), washer (2), and lead (3) from shunt (4).



REPLACE BATTERY LEADS AND TERMINALS (M113A3 AND M1059A3 ONLY)

0340 00

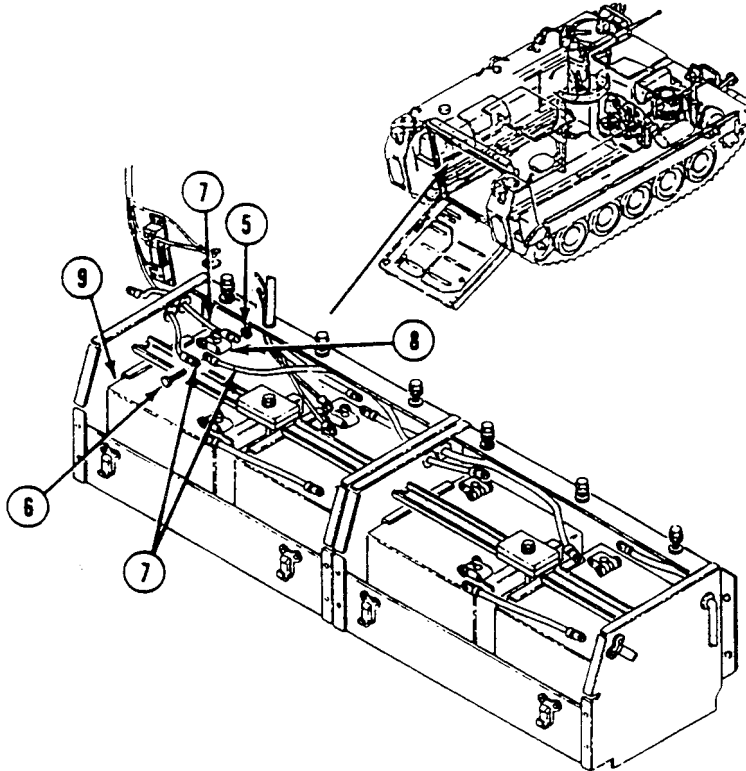
— Continued

NOTE

All leads are disconnected from four batteries in the same way.

Terminal connectors may be hard to remove from battery posts. Use battery terminal puller to remove terminals.

2. Remove nut (5), screw (6), and three leads (7) from negative terminal (8) of fourth battery (9).

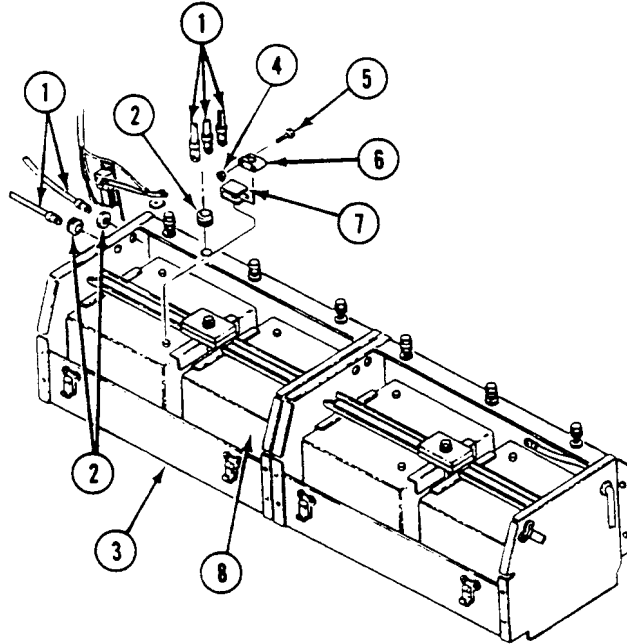


REPLACE BATTERY LEADS AND TERMINALS (M113A3 AND M1059A3 ONLY)

0340 00 ■

— Continued

3. Remove five leads (1) and three grommets (2) from battery boxes (3). Discard grommets.
4. Remove eight nuts (4), screws (5), terminals (6), and rubber shields (7) from batteries (8). Use battery terminal puller.

**CLEANING****CLEANING AND INSPECTION**

1. Clean battery covers, terminals, battery posts, and lead connectors with brush dipped in mixture of sodium bicarbonate and water. After foaming stops, flush parts with clean water. Dry with clean cloth.
2. Clean terminals and posts with battery wire brush.

REPLACE BATTERY LEADS AND TERMINALS (M113A3 AND M1059A3 ONLY)

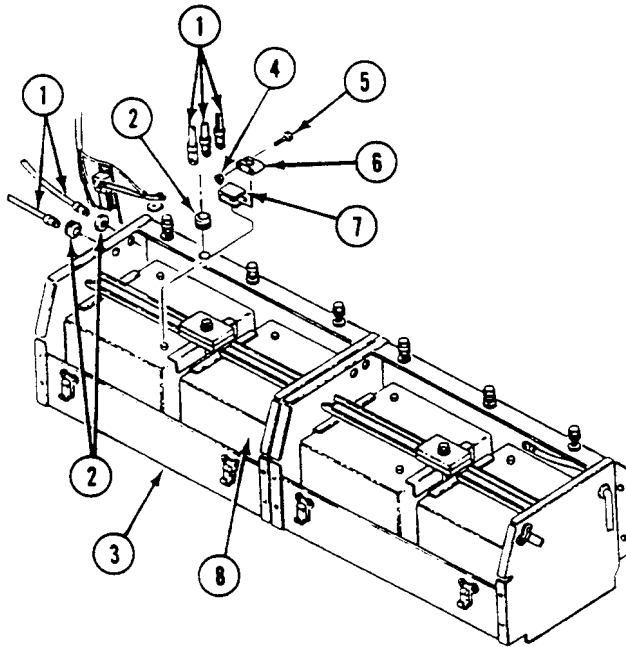
0340 00

— Continued

INSTALLATION**CAUTION**

Battery cells can be damaged if the battery is hooked up incorrectly. Make sure battery is hooked up correctly.

1. Install eight terminals (6) on rubber shields (7) on four batteries (8). Secure with eight nuts (4), and screws (5).
2. Install two new grommets (2) on two leads (1). Install new grommet (2) on three leads (1). Route leads in battery box (3). Install grommets in box.



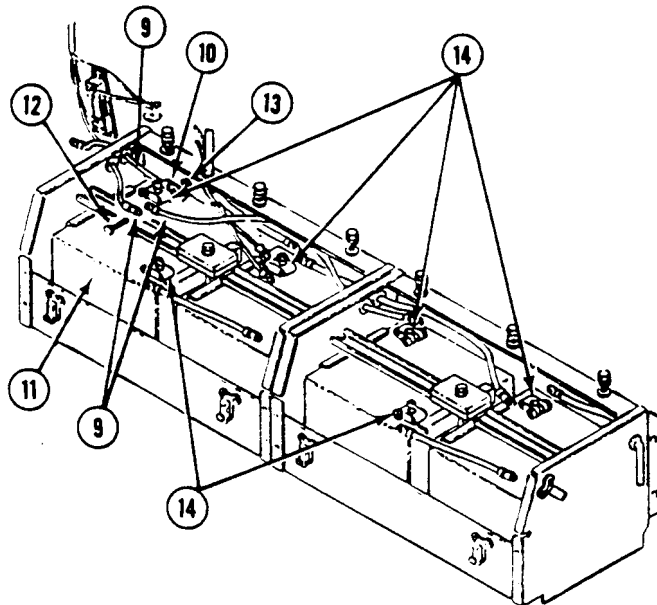
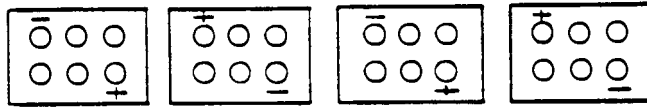
REPLACE BATTERY LEADS AND TERMINALS (M113A3 AND M1059A3 ONLY)

— Continued

NOTE

All leads are connected to eight battery terminals in the same way.

3. Install three leads (9) on negative terminal (10) of fourth battery (11). Secure with screw (12) and nut (13).
4. Coat tops of eight battery terminals (14) with grease.

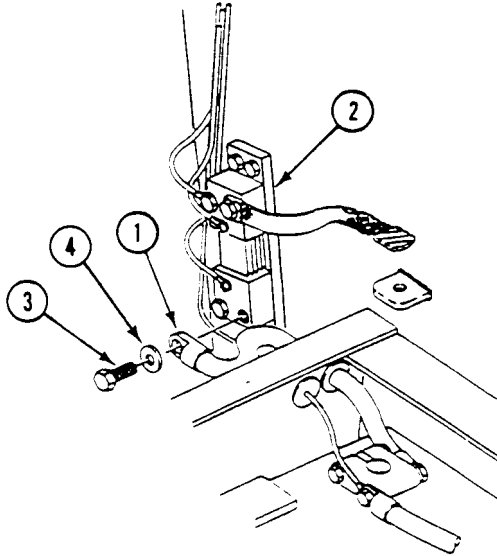


REPLACE BATTERY LEADS AND TERMINALS (M113A3 AND M1059A3 ONLY)

0340 00

— Continued

5. Install lead (1) on shunt (2). Secure with screw (3) and washer (4).

**FOLLOW-THROUGH STEPS**

1. Install battery access covers (see your -10).
2. Connect battery ground strap (WP 0337 00).
3. Turn MASTER SWITCH to ON. Check BATT-GEN gage on instrument panel. Gage should read in yellow zone (see your -10).
4. Start engine (see your -10).
5. Raise and lock ramp (see your -10).
6. Stop engine (see your -10).

END OF TASK

REPLACE BATTERY LEADS AND TERMINALS (M577A3 AND M1068A3 ONLY)

0341 00

THIS WORK PACKAGE COVERS:

- Removal (page 0341 00-1).
- Cleaning and Inspection (page 0341 00-3).
- Installation (page 0341 00-4).

INITIAL SETUP:

Maintenance Level

Unit

References

See your -10

Tools and Special Tools

- General Mechanic's Tool Kit (WP 0926 00, Item 65)
- Battery Wire Brush (WP 0926 00, Item 10)
- Battery Terminal Puller (WP 0926 00, Item 37)

Equipment Condition

- Engine stopped (see your -10)
- Carrier blocked (see your -10)
- Ramp lowered (see your -10)
- Battery access cover removed (see your -10)
- Battery ground lead disconnected (WP 0338 00)
- Personnel heater removed (for STE/ICE shunt leads only) (WP 0703 00)

Materials/Parts

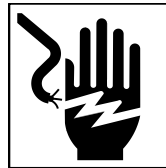
- Grease (WP 0928 00, Item 12)
- Sodium bicarbonate (WP 0928 00, Item 60)
- Grommet (2)

Personnel Required

Unit Mechanic

REMOVAL

WARNING



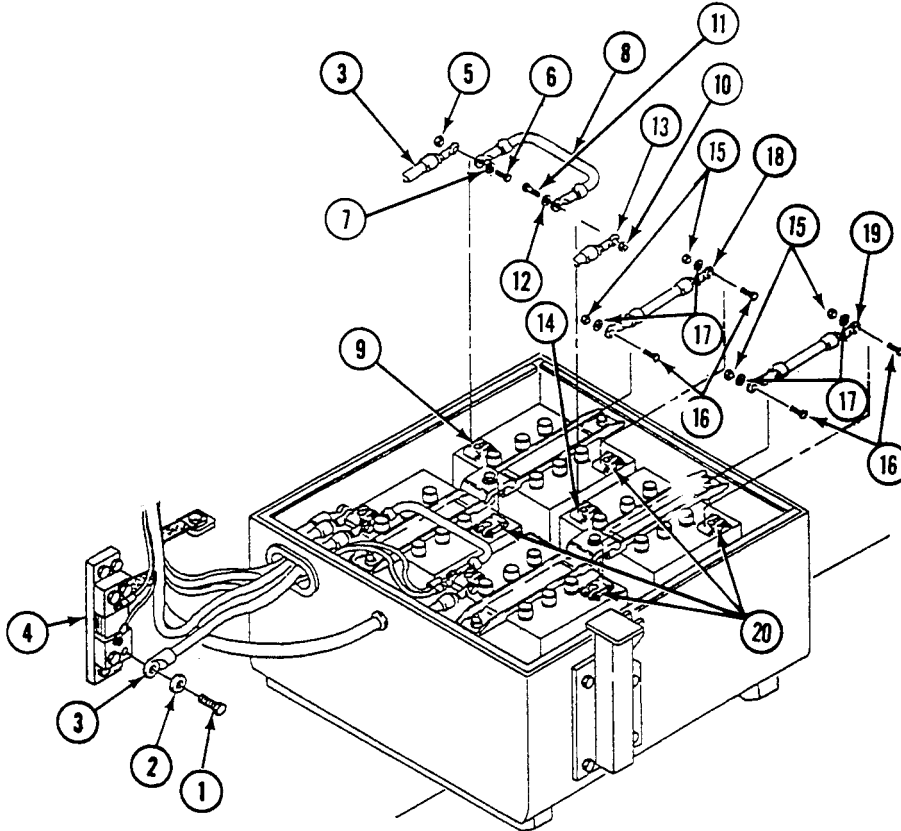
Electrical current can burn you. Disconnect ground lead before starting task.

1. Remove screw (1), washer (2), and ground lead (3) from shunt (4).

**REPLACE BATTERY LEADS AND TERMINALS (M577A3 AND M1068A3 ONLY) —
Continued**

0341 00

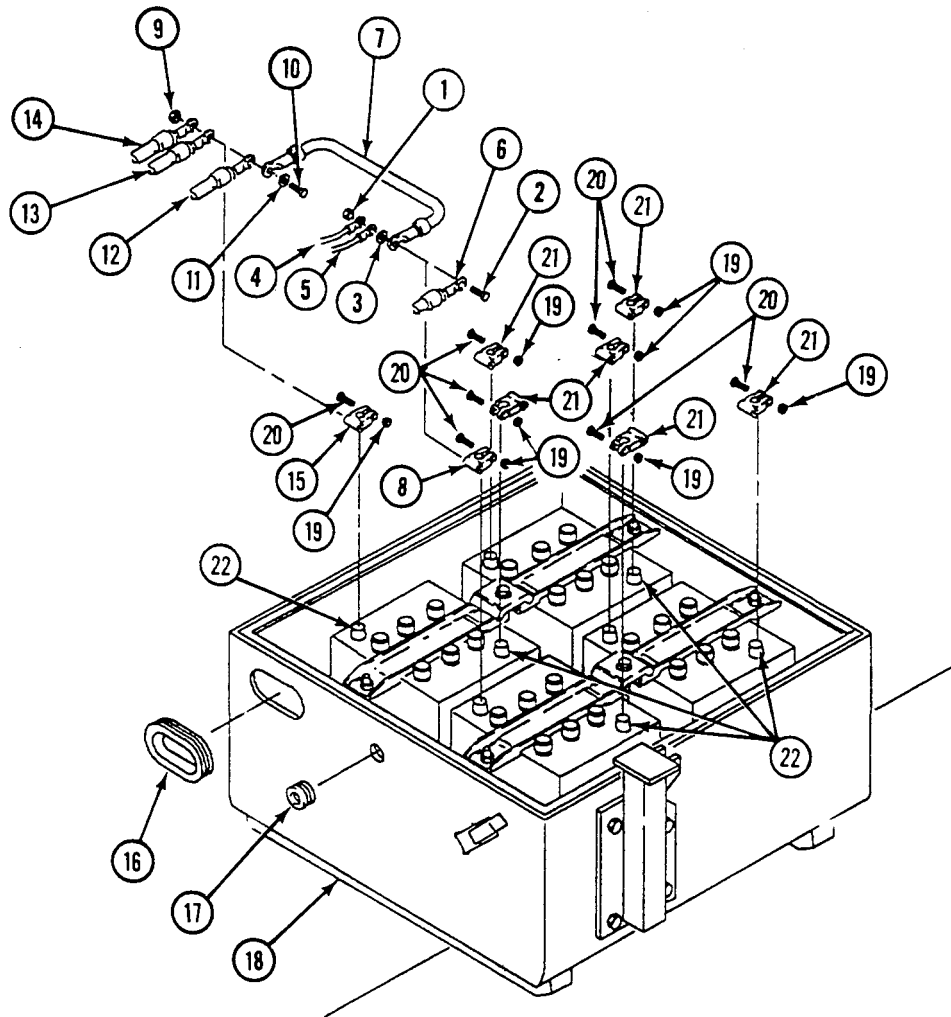
2. Remove nut (5), screw (6), washer (7), ground lead (3), and negative-to-negative lead (8) from terminal (9).
3. Remove nut (10), screw (11), washer (12), circuit lead 779 (13), and negative-to-negative lead (8) from terminal (14).
4. Remove four nuts (15), screws (16), washers (17), and two positive-to-negative leads (18) and (19) from terminal (20).



**REPLACE BATTERY LEADS AND TERMINALS (M577A3 AND M1068A3 ONLY) —
Continued**

0341 00

5. Remove nut (1), screw (2), washer (3), circuit leads 772 (4), 778 (5), and 6 (6), and positive-to-positive terminal lead (7) from terminal (8).
6. Remove nut (9), screw (10), washer (11), circuit lead 6 (12), circuit lead 48B (13), cable W4 (14) and positive-to-positive terminal lead (7) from terminal (15).
7. Remove eight leads and two grommets (16) and (17) from battery box (18). Discard grommets.
8. Remove eight nuts (19), screws (20), and eight terminals (8), (15), and (21) from battery posts (22).



CLEANING

CLEANING AND INSPECTION

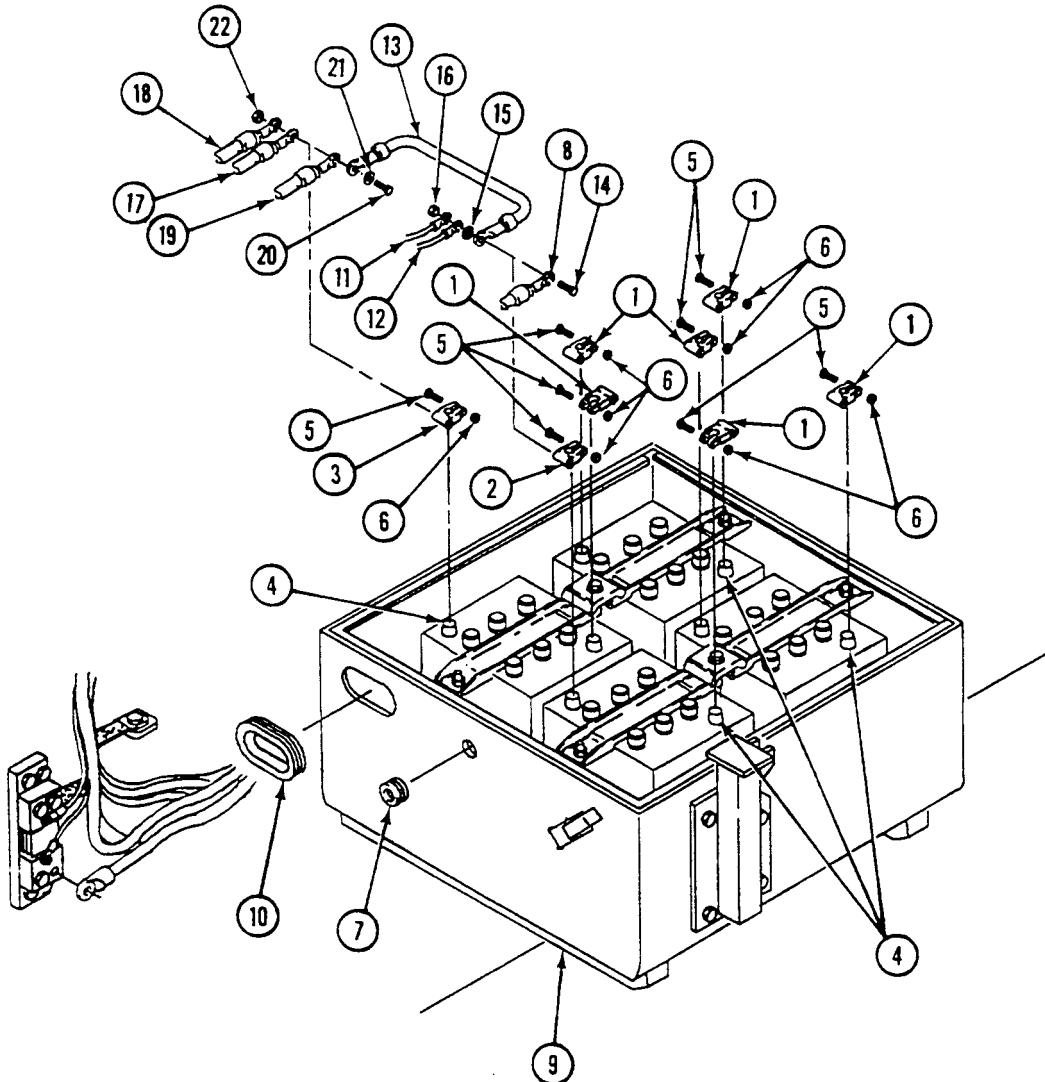
1. Clean battery covers, terminals, battery posts, and lead connectors with mixture of sodium bicarbonate and water. When foaming stops, flush parts with clean water. Dry with clean cloth.
2. Clean terminals and battery posts with battery wire brush.

INSTALLATION

CAUTION

Battery cells can be damaged if battery is hooked up incorrectly. Make sure battery is hooked up correctly.

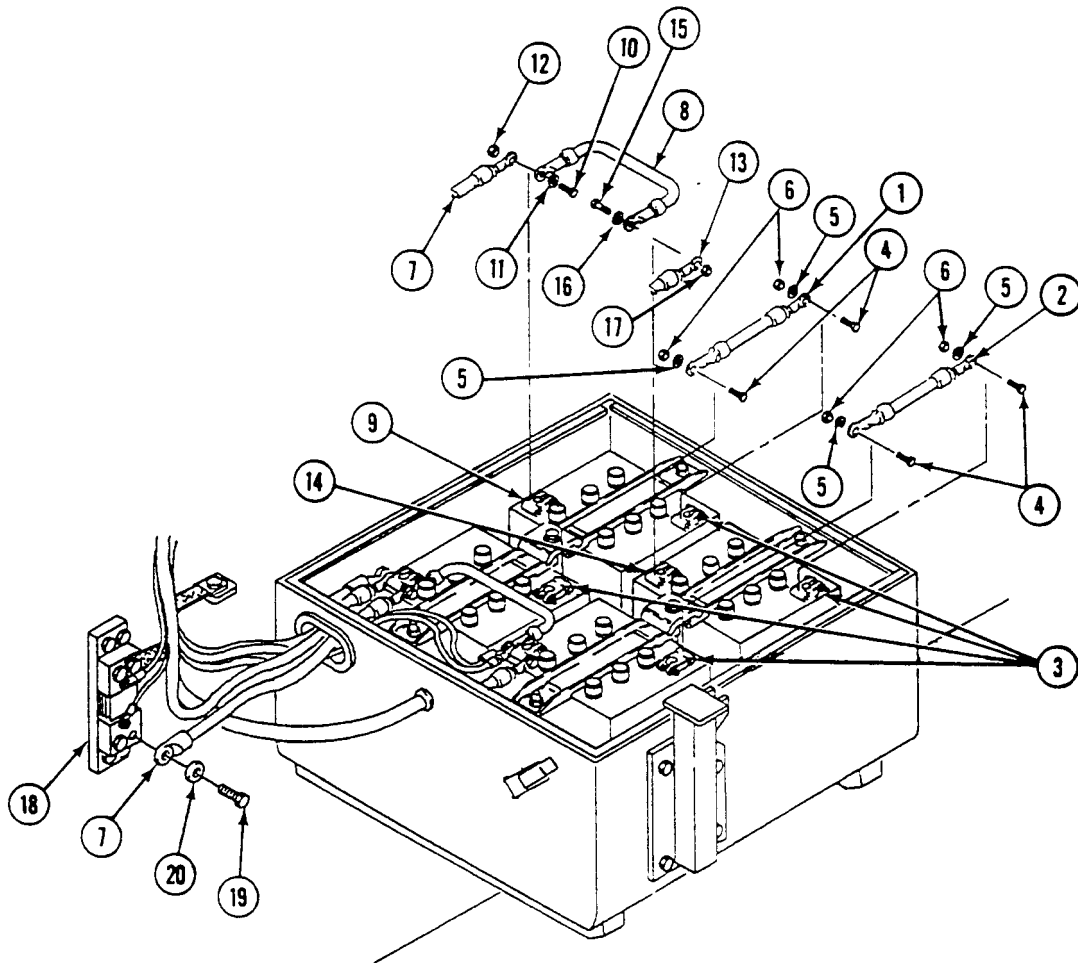
1. Install eight terminals (1), (2), and (3) on clean battery posts (4).
2. Secure eight terminals with eight screws (5) and nuts (6).
3. Install new grommet (7) on circuit lead 6 (8). Install grommet and lead in battery box (9).
4. Install seven leads in battery box (9) with new grommet (10).
5. Connect circuit leads 772 (11), 778 (12), 6 (8), and positive-to-positive terminal lead (13) to terminal (2) with screw (14), washer (15), and nut (16).
6. Connect circuit lead 48B (17), cable W4 (18), circuit lead 6 (19), and positive-to-positive terminal lead (13) to terminal (3) with screw (20), washer (21), and nut (22).



REPLACE BATTERY LEADS AND TERMINALS (M577A3 AND M1068A3 ONLY) —
Continued

0341 00

7. Install two positive-to-negative leads (1) and (2) on four terminals (3). Secure leads with four screws (4), washers (5), and nuts (6).
8. Connect ground lead (7) and negative-to-negative lead (8) to terminal (9) with screw (10), washer (11), and nut (12).
9. Connect circuit lead 779 (13) and negative-to-negative lead (8) to terminal (14) with screw (15), washer (16), and nut (17).
10. Coat tops of eight battery terminals with grease.
11. Install ground lead (7) on shunt (18). Secure with screw (19) and washer (20).



REPLACE BATTERY LEADS AND TERMINALS (M577A3 AND M1068A3 ONLY) —
Continued

0341 00

FOLLOW-THROUGH STEPS

1. Install personnel heater, if removed (WP 0703 00).
2. Connect battery ground lead (WP 0338 00).
3. Install battery access cover (see your -10).
4. Turn MASTER SWITCH ON. Check BATT-GEN gauge on instrument panel. Gage should read in yellow zone (see your -10).
5. Start engine (see your -10).
6. Raise and lock ramp (see your -10).
7. Stop engine (see your -10).

END OF TASK

REPLACE BATTERY LEADS AND TERMINALS (LEFT SIDE) (M1064A3 ONLY)

0343 00

THIS WORK PACKAGE COVERS:

- Removal (page 0343 00-1).
- Cleaning and Inspection (page 0343 00-5).
- Installation (page 0343 00-5).

INITIAL SETUP:

Maintenance Level

Unit

Personnel Required

Unit Mechanic

Tools and Special Tools

- General Mechanic's Tool Kit (WP 0926 00, Item 65)
- Battery Wire Brush (WP 0926 00, Item 10)
- Battery Terminal Puller (WP 0926 00, Item 37)

References

See your -10

Materials/Parts

- Grease (WP 0928 00, Item 12)
- Sodium bicarbonate (WP 0928 00, Item 60)
- Grommet (3)
- Grommet
- Lockwasher (5)
- Lockwasher
- Tiedown strap (2)

Equipment Condition

- Engine stopped (see your -10)
- Carrier blocked (see your -10)
- Ramp lowered (see your -10)
- Battery ground strap disconnected (WP 0337 00)
- Front floor plates removed (WP 0543 00)
- Battery leads (right side) removed (WP 0344 00)

REMOVAL

WARNING



Battery posts and cables touched by metal objects can short circuit and burn you. Do not wear jewelry, necklaces, or watches when working on the electrical system. Keep tools away from posts, wires, and terminals.

WARNING



Gas from batteries can explode and injure you. Do not allow sparks near batteries. Battery acid can burn or blind you. Do not get acid on your skin or eyes. ALWAYS disconnect ground lead first and connect it last.

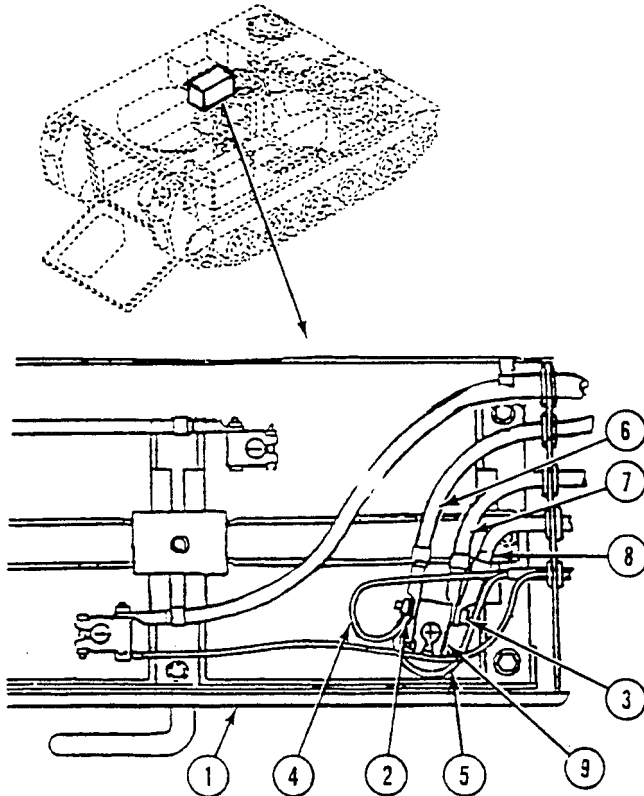
REPLACE BATTERY LEADS AND TERMINALS (LEFT SIDE) (M1064A3 ONLY) —
Continued

0343 00

CAUTION

Do not start carriers while batteries are disconnected. Starting engine with outside power while batteries are disconnected will damage electrical components in the regulator.

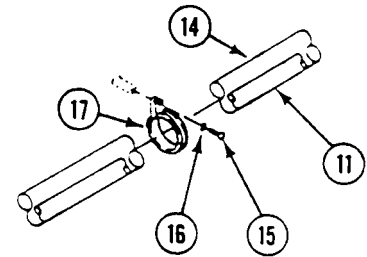
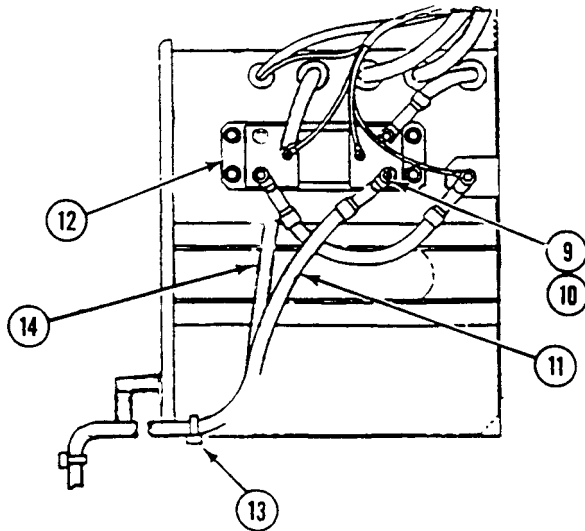
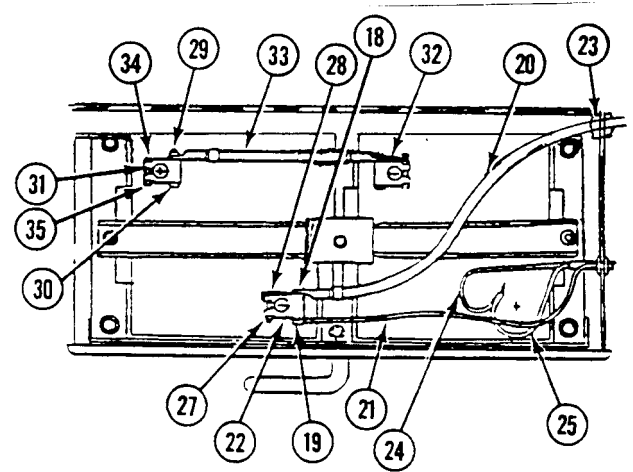
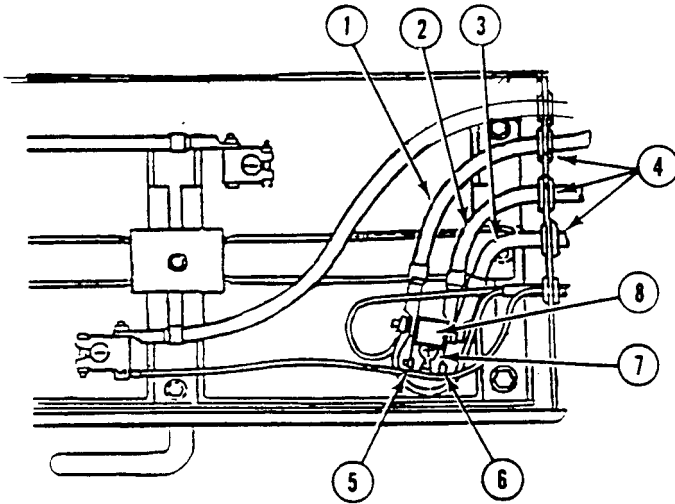
1. Turn handle and pull battery drawer (1) out.
2. Remove nut (2), screw (3), circuit 772 lead (4), circuit 778 lead (5), circuit 6 lead (6), circuit 48 lead (7), and circuit 6P lead (8) from terminal lug (9).



REPLACE BATTERY LEADS AND TERMINALS (LEFT SIDE) (M1064A3 ONLY) —
Continued

0343 00

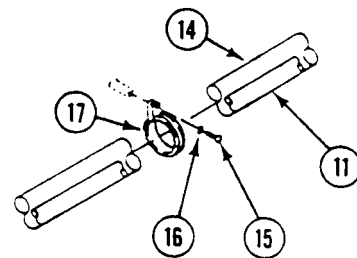
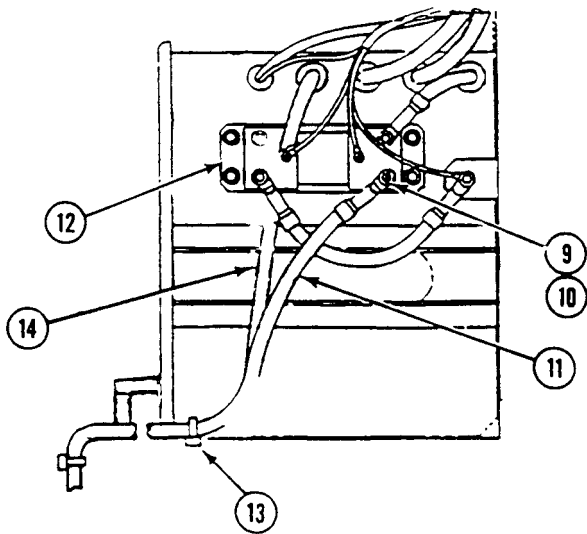
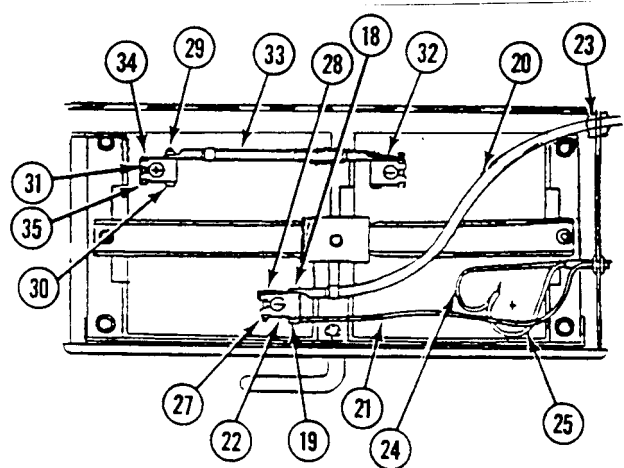
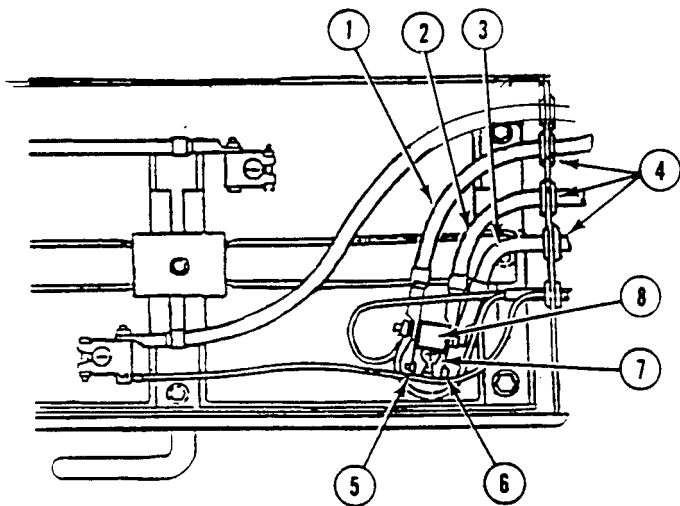
3. Remove circuit 6 lead (1), circuit 48 lead (2), circuit 6P lead (3) and grommets (4) from battery compartment. Discard grommets.
4. Loosen nut (5) on screw (6) and remove terminal lug (7) and terminal lug cover (8) from battery post. Use battery terminal puller.
5. Remove screw (9), lockwasher (10), and circuit 6N lead (11) from shunt (12). Discard lockwasher.
6. Remove two tiedown straps (13) from circuit 6N lead (11) and circuit 6P lead (14).



REPLACE BATTERY LEADS AND TERMINALS (LEFT SIDE) (M1064A3 ONLY) —
Continued

0343 00

7. Remove five screws (15), lockwashers (16) and clamps (17) from weldnuts. Discard lockwashers.
8. Remove nut (18), screw (19), circuit 7 lead (20) and circuit 779 lead (21) from negative terminal lug (22).
9. Remove circuit 7 lead (20) and grommet (23) from battery compartment. Discard grommet.
10. Remove circuit 779 lead (21), circuit 772 lead (24), and circuit 778 lead (25) and grommet (26) from battery compartment. Discard grommet.
11. Loosen nut (27) on screw (28) and remove terminal lug (22). Use battery terminal puller.
12. Remove two nuts (29) and screws (30) from positive terminal lug (31) and negative terminal lug (32). Remove jumper lead (33).
13. Loosen two nuts (34) on screws (35) and remove terminal lugs (31) and (32). Use battery terminal puller.



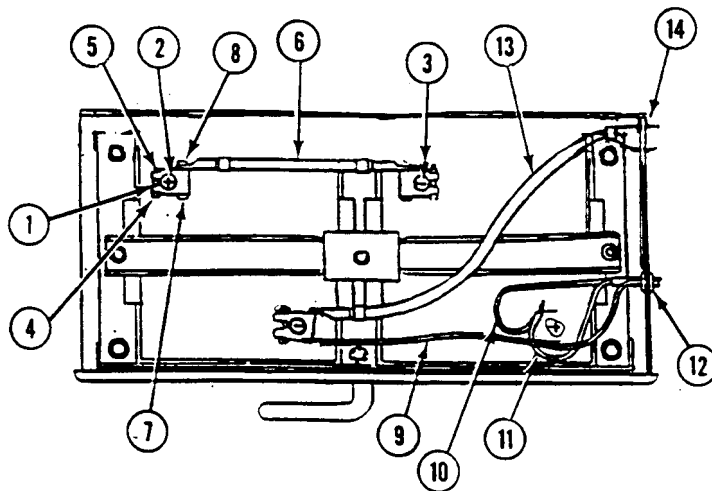
REPLACE BATTERY LEADS AND TERMINALS (LEFT SIDE) (M1064A3 ONLY) —**0343 00****Continued****CLEANING**

1. Clean battery terminal lugs, battery posts, grounding bracket on hull, and lead connectors with brush dipped in mixture of sodium bicarbonate and water. After foaming stops, flush parts with clean water. Dry with clean cloth.
2. Clean terminals and posts with battery wire brush.
3. Check leads. Replace worn leads and damaged connectors (WP 0382 00).

INSTALLATION**CAUTION**

Battery cells can be damaged if the batteries are hooked up incorrectly. Make sure batteries are hooked up correctly.

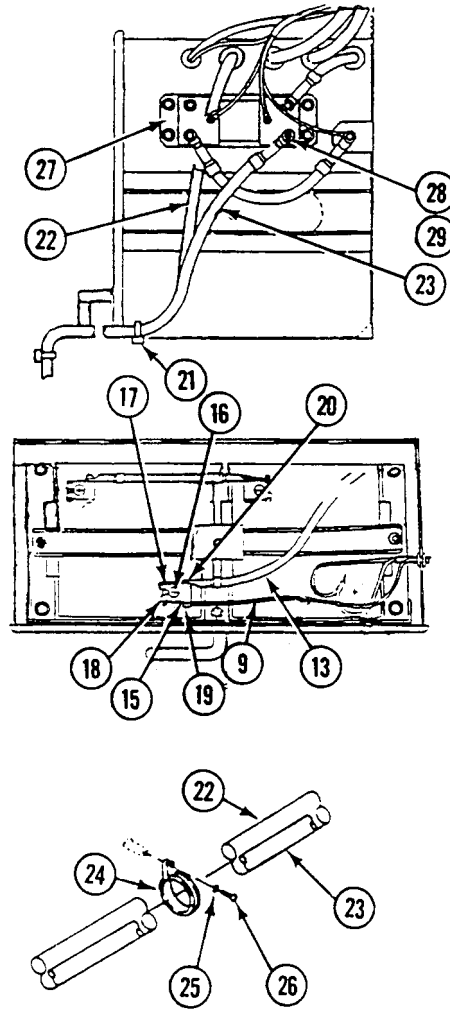
1. Place terminal lugs (1) on positive battery post (2) and negative battery post (3). Secure with two screws (4) and nuts (5).
2. Align jumper lead (6) on terminal lugs (1). Secure with two screws (7) and nuts (8).
3. Install circuit 779 lead (9), circuit 772 lead (10), circuit 778 lead (11), and new grommet (12) in battery compartment.
4. Install circuit 7 lead (13) and new grommet (14) in battery compartment.



**REPLACE BATTERY LEADS AND TERMINALS (LEFT SIDE) (M1064A3 ONLY) —
Continued**

0343 00

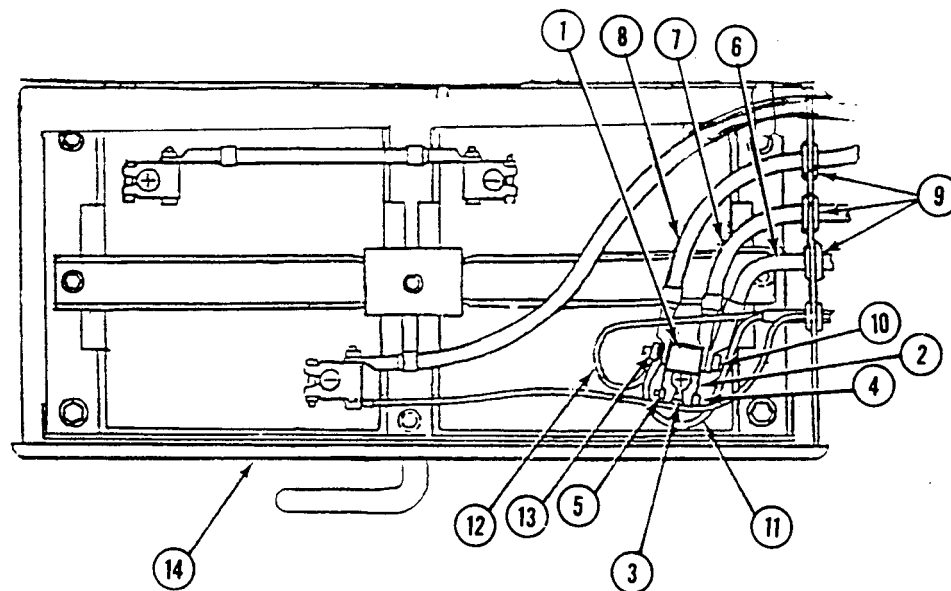
5. Place terminal lug (15) on negative battery post (16) and secure with screw (17) and nut (18).
6. Align circuit 779 lead (9) on screw (19) in negative terminal lug (15).
7. Install circuit 7 lead (13) on screw (19) in negative terminal lug (15). Secure with nut (20).
8. Install new tiedown straps (21) on circuit 6P lead (22) and circuit 6N lead (23).
9. Align five clamps (24) on weldnuts and secure with new lockwashers (25) and screws (26).
10. Install circuit 6N lead (23) to shunt (27) and secure with new lockwasher (28) and screw (29).



REPLACE BATTERY LEADS AND TERMINALS (LEFT SIDE) (M1064A3 ONLY) —
Continued

0343 00

11. Position terminal lug cover (1) and terminal lug (2) on positive battery terminal (3). Secure with screw (4) and nut (5).
12. Install circuit 6P lead (6), circuit 48 lead (7), circuit 6 lead (8), and new grommets (9) in battery compartment.
13. Install circuit 6P lead (6) followed by circuit 48 lead (7) on screw (10) in terminal lug (2).
14. Install circuit 6 lead (8), circuit 778 lead (11), and circuit 772 lead (12) on terminal lug (2). Secure with nut (13).
15. Coat tops of terminal lugs with grease.
16. Close battery drawer (14).

**FOLLOW-THROUGH STEPS**

1. Install battery leads (right side) (WP 0344 00).
2. Install front floor plates (WP 0543 00).
3. Connect battery ground strap (WP 0337 00).
4. Turn MASTER SWITCH ON. Check BATT- GEN gage on instrument panel. Gage should read in green or yellow zone (see your -10).
5. Start engine (see your -10).
6. Raise and lock ramp (see your -10).
7. Stop engine (see your -10).

END OF TASK

REPLACE BATTERY LEADS AND TERMINALS (RIGHT SIDE) (M1064A3 ONLY)

0344 00

THIS WORK PACKAGE COVERS:

- Removal (page 0344 00-1).
- Cleaning and Inspection (page 0344 00-3).
- Installation (page 0344 00-4).

INITIAL SETUP:

Maintenance Level

Unit

References

See your -10

Tools and Special Tools

- General Mechanic's Tool Kit (WP 0926 00, Item 65)
- Battery Wire Brush (WP 0926 00, Item 10)
- Battery Terminal Puller (WP 0926 00, Item 37)

Equipment Condition

- Engine stopped (see your -10)
- Carrier blocked (see your -10)
- Ramp lowered (see your -10)
- Battery ground strap disconnected (WP 0337 00)
- Front floor plates removed (WP 0543 00)
- Battery leads (left side) removed (WP 0343 00)
- Battery box cover/seat removed (see your -10)

Materials/Parts

- Grease (WP 0928 00, Item 12)
- Sodium bicarbonate (WP 0928 00, Item 60)
- Grommet (2)
- Tiedown strap

Personnel Required

Unit Mechanic

REMOVAL

WARNING



Battery posts and cables touched by metal objects can short circuit and burn you. Do not wear jewelry, necklaces, or watches when working on the electrical system. Keep tools away from posts, wires, and terminals.

WARNING

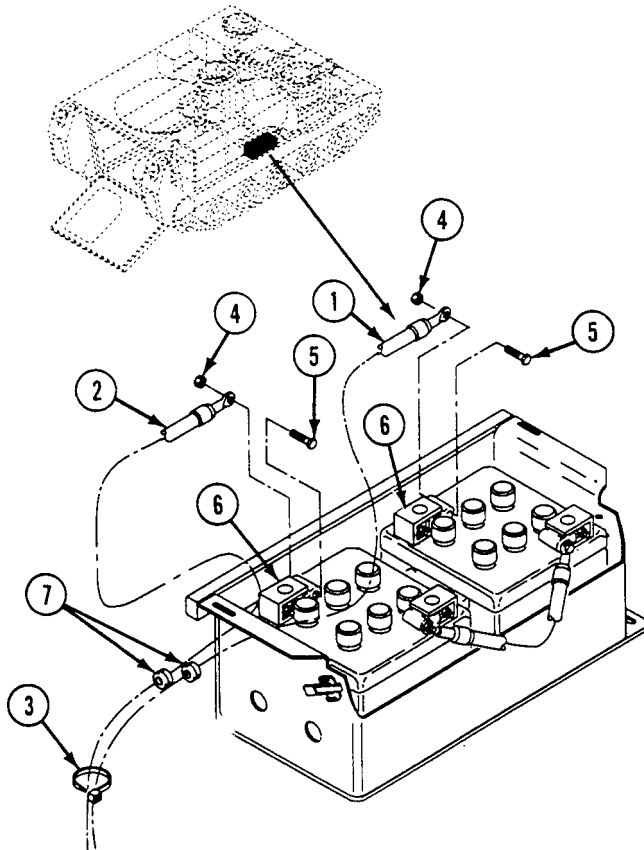


Gas from batteries can explode and injure you. Do not allow sparks near batteries. Battery acid can burn or blind you. Do not get acid on your skin or eyes. ALWAYS disconnect ground lead first and connect it last.

CAUTION

Do not start carriers while batteries are disconnected. Starting engine with outside power while batteries are disconnected will damage electrical components in the regulator.

1. Remove circuit 6N lead (1) or 6P lead (2) as follows:

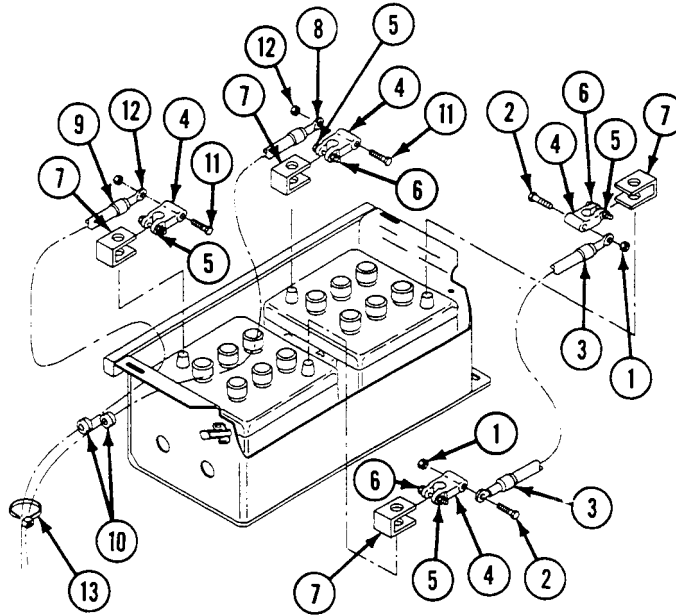


- a. Remove tiedown strap (3) from circuit 6N lead (1) and 6P lead (2).
- b. Remove nut (4), screw (5), and lead (1) or (2) from terminal lug (6).
- c. Remove lead and grommet (7) from battery compartment. Discard grommet.

**REPLACE BATTERY LEADS AND TERMINALS (RIGHT SIDE) (M1064A3 ONLY) —
Continued**

0344 00

2. Remove two nuts (1), screws (2), and jumper lead (3) from two terminal lugs (4).
3. Loosen nuts (5) on screws (6) and remove terminal lugs (4) and terminal covers (7) from battery posts. Use battery terminal puller.



CLEANING

1. Clean battery terminal lugs, battery posts, grounding bracket on hull, and lead connectors with brush dipped in mixture of sodium bicarbonate and water. After foaming stops, flush parts with clean water. Dry with clean cloth.
2. Clean terminals and posts with battery wire brush.
3. Check leads. Replace worn leads and damaged connectors (WP 0382 00).

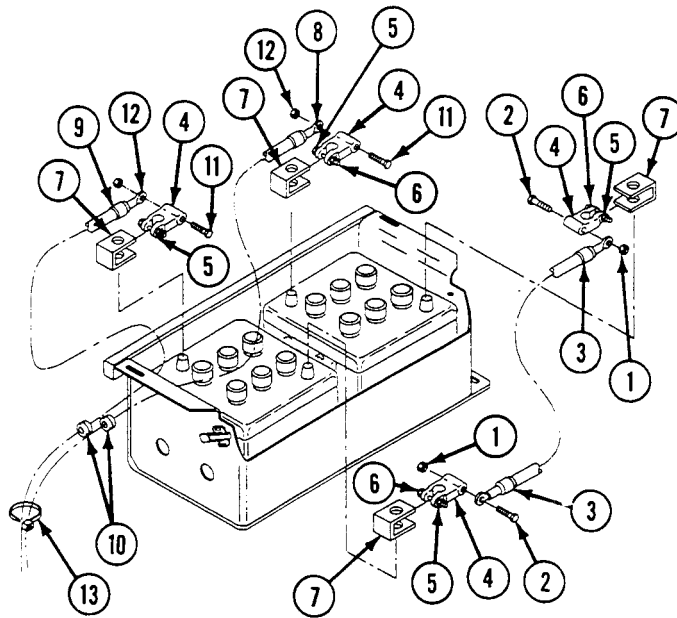
REPLACE BATTERY LEADS AND TERMINALS (RIGHT SIDE) (M1064A3 ONLY) —
Continued

0344 00

INSTALLATION**CAUTION**

Battery cells can be damaged if the batteries are hooked up incorrectly. Make sure batteries are hooked up correctly.

1. Place terminal covers (7) and terminal lugs (4) on battery. Secure with screws (6) and nuts (5).
2. Place jumper lead (3) on terminal lugs (4). Secure with two screws (2) and nuts (1).
3. Install circuit 6N lead (8) or 6P lead (9) as follows:
 - a. Install new grommet (10) in battery box. Route lead 6N (8) or 6P (9) through grommet into battery box.
 - b. Place lead (8) or (9) on terminal lugs (4) and secure with screw (11) and nut (12).
 - c. Secure leads 6N (8) and 6P (9) with new tiedown strap (13).
4. Coat tops of four battery terminal lugs with grease.



REPLACE BATTERY LEADS AND TERMINALS (RIGHT SIDE) (M1064A3 ONLY) —
Continued

0344 00**FOLLOW-THROUGH STEPS**

1. Install battery box cover/seat (see your -10).
2. Install battery leads (left side) (WP 0343 00).
3. Install front floor plates (WP 0543 00).
4. Connect battery ground strap (WP 0337 00).
5. Turn MASTER SWITCH ON. Check BATT- GEN gage on instrument panel. Gage should read in green or yellow zone (see your -10).
6. Start engine (see your -10).
7. Raise and lock ramp (see your -10).
8. Stop engine (see your -10).

END OF TASK

REPLACE BATTERY LEADS AND TERMINALS (M58 ONLY)

0345 00

THIS WORK PACKAGE COVERS:

- Removal (page 0345 00-1).
 - Cleaning and Inspection (page 0345 00-3).
 - Installation (page 0345 00-4).
-

INITIAL SETUP:

Maintenance Level

Unit

References

See your -10

Tools and Special Tools

- General Mechanic's Tool Kit (WP 0926 00, Item 65)
- Battery Wire Brush (WP 0926 00, Item 10)
- Battery Terminal Puller (WP 0926 00, Item 37)

Equipment Condition

- Engine stopped (see your -10)
- Carrier blocked (see your -10)
- Ramp lowered (see your -10)
- Battery ground strap disconnected (WP 0337 00)
- Battery access cover removed (see your -10)

Materials/Parts

- Grease (WP 0928 00, Item 12)
- Sodium bicarbonate (WP 0928 00, Item 60)
- Grommet (5)

Personnel Required

Unit Mechanic

REMOVAL

WARNING



Battery posts and cables touched by metal objects can short circuit and burn you. Do not wear jewelry, necklaces, or watches when working on electrical system. Keep tools away from posts, wires, and terminals.

WARNING

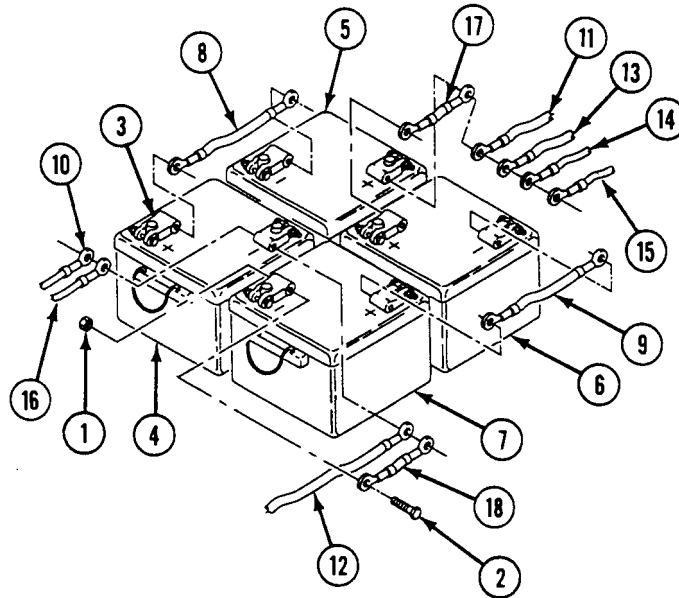


Gas from batteries can explode and injure you. Do not allow sparks near batteries. Battery acid can blind or burn you. Do not get acid on your skin or into your eyes.

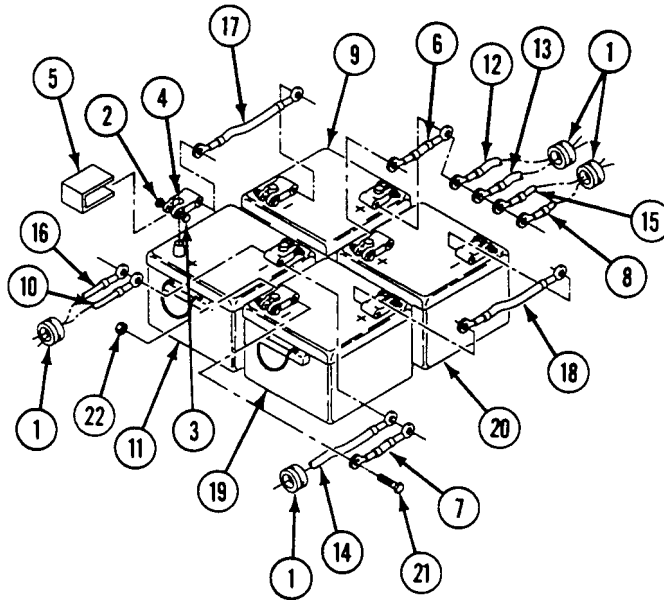
REPLACE BATTERY LEADS AND TERMINALS (M58 ONLY) — Continued

0345 00

1. Remove cable mounting nuts (1) and bolts (2) from each battery terminal adapter (3) on four batteries (4)(5)(6)(7).
2. Remove two battery positive-to-negative cables (8) and (9) from battery box.
3. Remove STE/ICE circuit 779 lead (10) from battery box.
4. Remove vehicle power cable (11), shunt cable (12), smoke obscurant system master power relay lead 6W21 (13), and STE/ICE circuit 772/778 leads (14) from battery box.
5. Remove positive communication power cable (15) and negative communication power cable (16) from battery box.
6. Remove one battery positive-to-positive cable (17) and one battery negative-to-negative cable (18) from battery box.



7. Remove used grommets (1) from battery box. Discard grommets.
8. Loosen nuts (2) on screws (3), and remove terminal adapters (4) and covers (5) from battery posts. Use battery terminal puller.

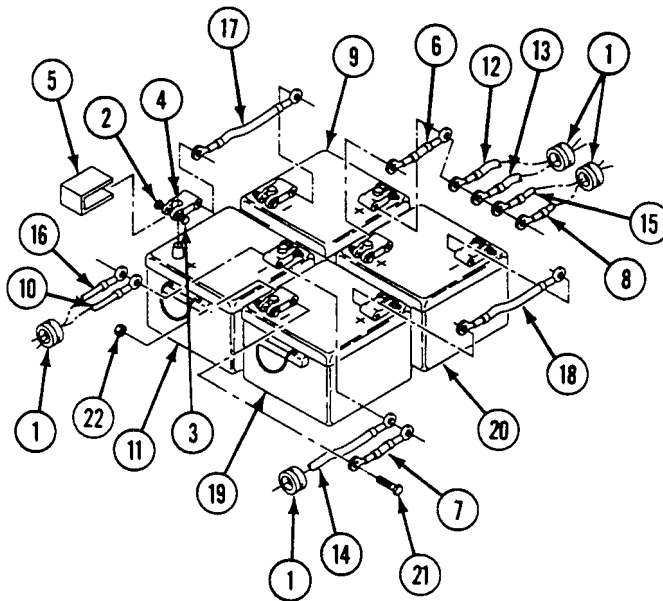


CLEANING

1. Clean battery covers, terminals, battery posts, and lead connectors with brush dipped in mixture of sodium bicarbonate and water. After foaming stops, flush parts with clean water. Dry with clean cloth.
2. Clean terminals and posts with battery wire brush.

INSTALLATION

1. Install terminal covers (5) and terminal adapters (4) on battery posts. Secure with screws (3) and nuts (2).
2. Install new grommets (1) in battery box.
3. Install one battery positive-to-positive cable (6) and one battery negative-to-negative cable (7) in battery box.
4. Install one positive communication cable (8) through front opening in battery box to positive terminal on battery (9).
Install one negative communication cable (10) through rear opening in battery box to negative terminal on battery (11).
5. Insert end of vehicle power cable circuit 6 (12) and end of smoke obscurant system master power relay lead 6W21 (13) through front opening in battery box to positive terminal of battery (9) and vehicle shunt cable circuit 7 (14) through rear opening in battery box to negative terminal of battery (11).
6. Insert ends of STE/ICE leads circuit 772 and 778 (15) through front opening in battery box and route to positive terminal of battery (9).
7. Insert end of STE/ICE circuit 779 lead (16) through rear opening in battery box and route to negative terminal of battery (11).
8. Install battery cables (17) and (18) on inward side of and between positive and negative terminal adapters (6) on batteries (9) and (19), (11) and (20).
9. Secure leads to each battery terminal adapter (4) on batteries (9)(11)(19)(20) with cable mounting bolts (21) and nuts (22).
10. Coat tops of eight battery terminal adapters with grease.



FOLLOW-THROUGH STEPS

1. Connect battery ground strap (WP 0337 00).
2. Install battery access cover (see your -10).
3. Start engine (see your -10).
4. Raise and lock ramp (see your -10).
5. Stop engine (see your -10).

END OF TASK

REPLACE BATTERIES AND RETAINERS (M113A3 AND M1059A3 ONLY)

0346 00 ■

THIS WORK PACKAGE COVERS:

- Removal (page 0346 00-1).
- Cleaning and Inspection (page 0346 00-3).
- Installation (page 0346 00-4).

INITIAL SETUP:

Maintenance Level

Unit

Tools and Special Tools

General Mechanic's Tool Kit (WP 0926 00, Item 65)

Materials/Parts

- Bituminous coating compound (WP 0928 00, Item 13)
- Epoxy coating kit (WP 0928 00, Item 30)
- Sodium bicarbonate (WP 0928 00, Item 60)
- Locknut (2)
- Locknut (4)

Personnel Required

- Unit Mechanic
- Helper (H)

References

- See your -10
- TM 9-6140-200-14

Equipment Condition

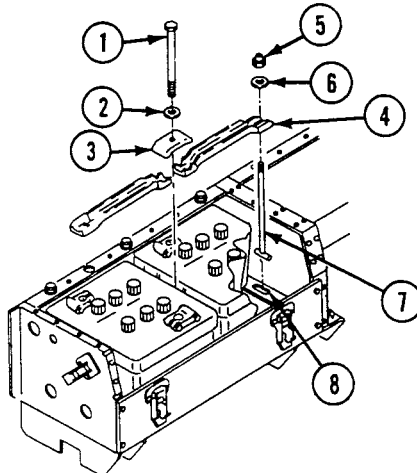
- Engine stopped (see your -10)
- Carrier blocked (see your -10)
- Ramp lowered (see your -10)
- Spall liners opened (see your -10)
- Battery ground strap disconnected (WP 0337 00)
- Battery access cover removed (see your -10)
- Battery terminals removed (WP 0340 00)

REMOVAL

NOTE

Four batteries and four retainers are replaced the same way.

1. Remove bolt (1), washer (2), and clamp (3) from two retainers (4).
2. Remove two locknuts (5), washers (6), and retainers (4) from two bolts (7). Discard locknuts.
3. Turn bolts (7) to align with slot in frame (8). Remove bolts from frame.



WARNING



Electrolyte and battery corrosion can cause injury to you. Wear safety goggles and gloves. If electrolyte or battery corrosion contacts the eyes, skin, or clothing, flush immediately with large amounts of cold water. In case of eye or skin contact, see a doctor immediately.

WARNING



Battery is heavy and can cause back injury if handled improperly. Be sure to have helper assist you to remove and replace battery. Battery weighs about 75 lb (34 kg).

CAUTION

Be careful. Do not hit side of carrier. You could crack the case. Set battery down gently on a board.

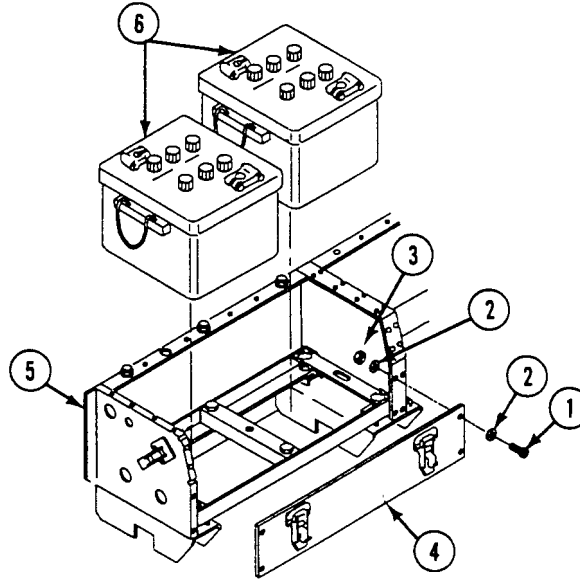
NOTE

On newer models, there are screws and washers securing the front plate to the battery box.

REPLACE BATTERIES AND RETAINERS (M113A3 AND M1059A3 ONLY) —
Continued

0346 00 ■

4. Remove four screws (1), eight washers (2), four locknuts (3) and front plate (4) from battery box (5). Discard locknuts (on older models only).
5. Remove batteries (6) from battery box (5). Lift battery by carrying handles built into each battery. Have helper assist.

**CLEANING AND INSPECTION**

WARNING



Battery posts and cables touched by metal objects can short circuit and burn you. Do not wear jewelry, necklaces, or watches when working on the electrical system. Keep tools away from posts, wires, and terminals.

1. Clean battery with nonmetallic brush dipped in mixture of sodium bicarbonate and water. After foaming stops, flush battery with clean water. Dry with clean cloth.
2. Clean retainers and parts by soaking in mixture of sodium bicarbonate and water. Dry parts and apply coating listed in order of preference.
3. See TM 9-6140-200-14 to service batteries.

**REPLACE BATTERIES AND RETAINERS (M113A3 AND M1059A3 ONLY) —
Continued**

0346 00

INSTALLATION**WARNING**

Battery is heavy and can cause back injury if handled improperly. Be sure to have helper assist you to remove and replace battery. Battery weighs about 75 lb (34 kg).

CAUTION

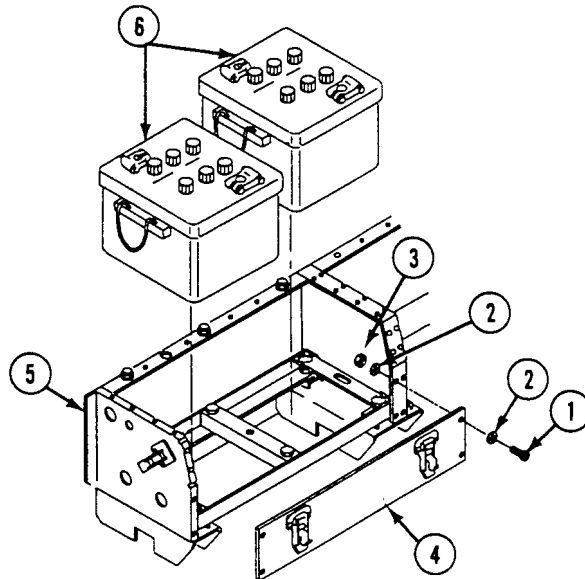
Place batteries with positive (+) and negative (-) terminals as shown in diagram below. Damage to components will occur if batteries are hooked up wrong.

1. Place batteries (6) in battery box (5).

NOTE

On newer models, there are screws and washers securing the front plate to the battery box.

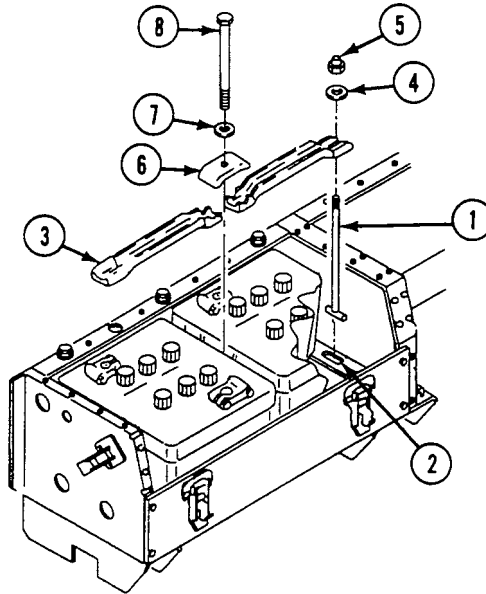
2. Install front plate (4) on battery box (5). Secure with four screws (1), eight washers (2), and four new locknuts (3).



REPLACE BATTERIES AND RETAINERS (M113A3 AND M1059A3 ONLY) —
Continued

0346 00 ■

3. Install two bolts (1) in slots of battery frame (2). Turn bolts to secure.
4. Install two retainers (3) on two bolts (1). Secure with two washers (4) and new locknuts (5).
5. Install clamp (6) on two retainers (3). Secure with washer (7) and bolt (8).

**FOLLOW-THROUGH STEPS**

1. Install battery terminals (WP 0340 00).
2. Install battery access cover (see your -10).
3. Connect battery ground strap (WP 0337 00).
4. Turn MASTER SWITCH ON to check that batteries are installed right. MASTER SWITCH ON light should come on (see your -10).
5. Start engine (see your -10).
6. Raise and lock ramp (see your -10).
7. Stop engine (see your -10).

END OF TASK

REPLACE BATTERIES AND RETAINERS (M577A3 AND M1068A3 ONLY)

0347 00

THIS WORK PACKAGE COVERS:

- Removal (page 0347 00-1).
- Cleaning and Inspection (page 0347 00-3).
- Installation (page 0347 00-3).

INITIAL SETUP:

Maintenance Level

Unit

References

See your -10
TM 9-6140-200-14

Tools and Special Tools

General Mechanic's Tool Kit (WP 0926 00, Item 65)

Materials/Parts

Bituminous coating compound (WP 0928 00, Item 13)

Epoxy coating kit (WP 0928 00, Item 30)

Sodium bicarbonate (WP 0928 00, Item 60)

Locknut (4)

Personnel Required

Unit Mechanic

Helper (H)

Equipment Condition

Engine stopped (see your -10)

Carrier blocked (see your -10)

Ramp lowered (see your -10)

Battery ground lead disconnected (WP 0338 00)

Battery terminals removed (WP 0341 00)

REMOVAL

NOTE

Four batteries and four retainers are replaced the same way.

1. Remove bolt (1), washer (2), and clamp (3) from two retainers (4).
2. Remove two locknuts (5), washers (6), and retainers (4) from two bolts (7). Discard locknuts.
3. Turn bolts (7) to align with slot in frame (8). Remove bolts from frame.

WARNING

Electrolyte and battery corrosion can cause injury to you. Wear safety goggles and gloves. If electrolyte or battery corrosion contacts the eyes, skin, or clothing, flush immediately with large amounts of cold water. In case of eye or skin contact, see a doctor immediately.

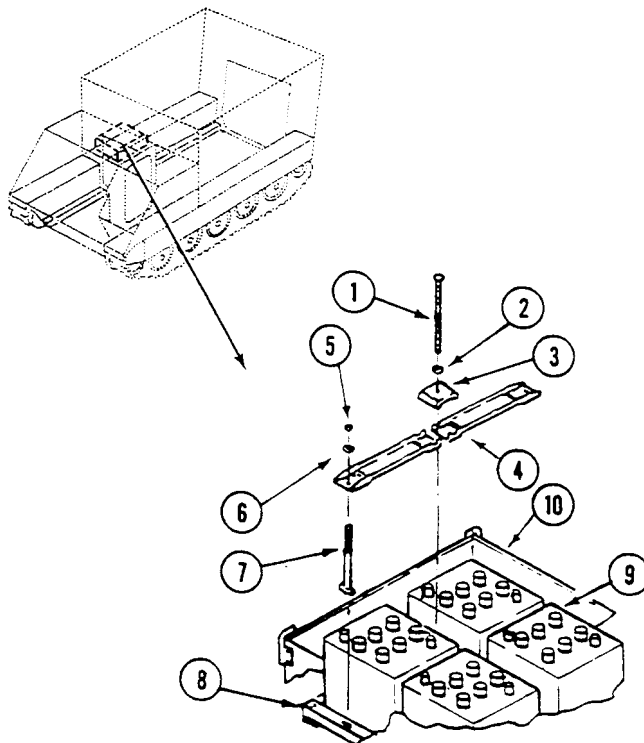
WARNING

Battery is heavy and can cause back injury if handled improperly. Be sure to have helper assist you to remove and replace battery. Battery weighs about 75 lb (34 kg).

CAUTION

Be careful. Do not hit side of carrier. You could crack the case. Set battery down gently on a board.

4. Remove batteries (9) from frame (8) and battery box (10). Lift battery by carrying handles built into each battery. Have helper assist.



CLEANING**CLEANING AND INSPECTION****WARNING**

Battery posts and cables touched by metal objects can short circuit and burn you. Do not wear jewelry, necklaces, or watches when working on the electrical system. Keep tools away from posts, wires, and terminals.

1. Clean battery with nonmetallic brush dipped in mixture of sodium bicarbonate and water. After foaming stops, flush battery with clean water. Dry with clean cloth.
2. Clean retainers and parts by soaking in mixture of sodium bicarbonate and water. Dry parts and apply coating listed in order of preference.
3. See TM 9-6140-200-14 to service batteries.

INSTALLATION**WARNING**

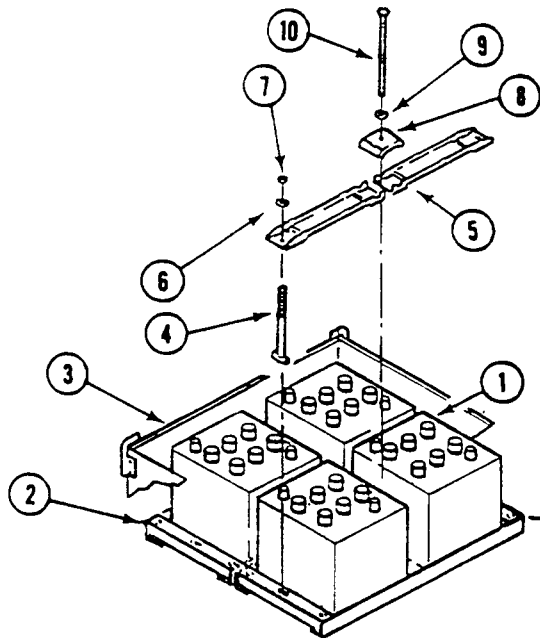
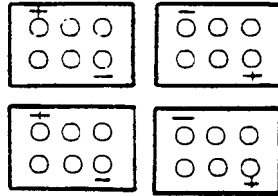
Battery is heavy and can cause back injury if handled improperly. Be sure to have helper assist you to remove and replace battery. Battery weighs about 75 lb (34 kg).

CAUTION

Place batteries with positive (+) and negative (-) terminals as shown in diagram below. Damage to components will occur if batteries are hooked up wrong.

1. Place batteries (1) on frame (2) in battery box (3).

2. Install two bolts (4) in slots of battery frame (2). Turn bolts to secure.
3. Install two retainers (5) on two bolts (4). Secure with two washers (6) and new locknuts (7).
4. Install clamp (8) on two retainers (5). Secure with washer (9) and bolt (10).



FOLLOW-THROUGH STEPS

1. Install battery terminals (WP 0341 00).
2. Connect battery ground lead (WP 0338 00).
3. Turn MASTER SWITCH ON to check that batteries are installed right. MASTER SWITCH ON light should come on (see your -10).
4. Start engine (see your -10).
5. Raise and lock ramp (see your -10).
6. Stop engine (see your -10).

END OF TASK

REPLACE BATTERIES AND BATTERY BOX (M58 ONLY)

0348 00

THIS WORK PACKAGE COVERS:

- Removal (page 0348 00-1).
- Disassembly (page 0348 00-5).
- Cleaning and Inspection (page 0348 00-6).
- Assembly (page 0348 00-7).
- Installation (page 0348 00-8).

INITIAL SETUP:

Maintenance Level

Unit

Personnel Required

Unit Mechanic
Helper

Tools and Special Tools

- General Mechanic's Tool Kit (WP 0926 00, Item 65)
- Portable electric drill (WP 0926 00, Item 19)
- Blind hand riveter (WP 0926 00, Item 44)

References

See your -10
TM 9-6140-200-14

Materials/Parts

- Adhesive (WP 0928 00, Item 4)
- Bituminous coating compound (WP 0928 00, Item 13)
- Epoxy coating kit (WP 0928 00, Item 30)
- Sodium bicarbonate (WP 0928 00, Item 60)
- Locknut
- Lockwasher (4)
- Lockwasher (4)

Equipment Condition

- Engine stopped (see your -10)
- Carrier blocked (see your -10)
- Ramp lowered (see your -10)
- Battery ground leads disconnected (WP 0337 00)
- Battery leads and terminals removed (WP 0345 00)

REMOVAL

WARNING



Battery posts and cables touched by metal objects can short circuit and burn you. Do not wear jewelry, necklaces, or watches when working on electrical system. Keep tools away from posts, wires, and terminals.

WARNING

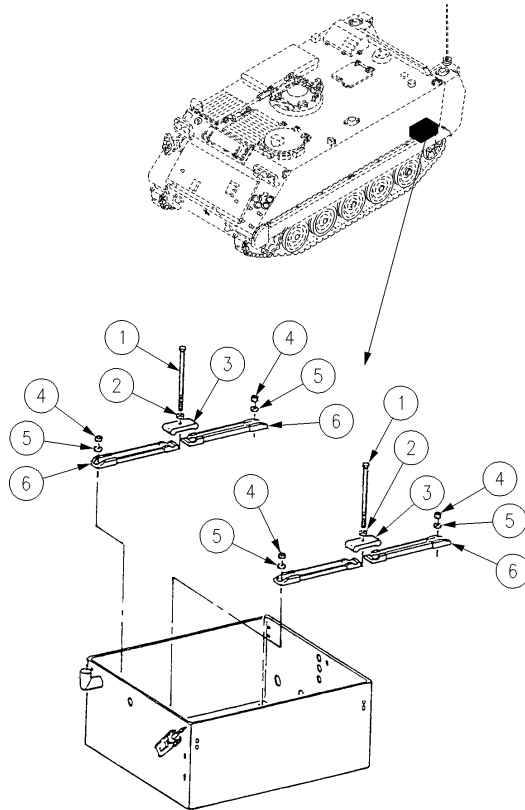


Gas from batteries can explode and injure you. Do not allow sparks near batteries. Battery acid can blind or burn you. Do not get acid on your skin or into your eyes.

■ REPLACE BATTERIES AND BATTERY BOX (M58 ONLY) — Continued

0348 00

1. Remove two bolts (1), washers (2), and clamps (3).
2. Remove four locknuts (4), washers (5), and battery retainers (6). Discard locknuts.



WARNING

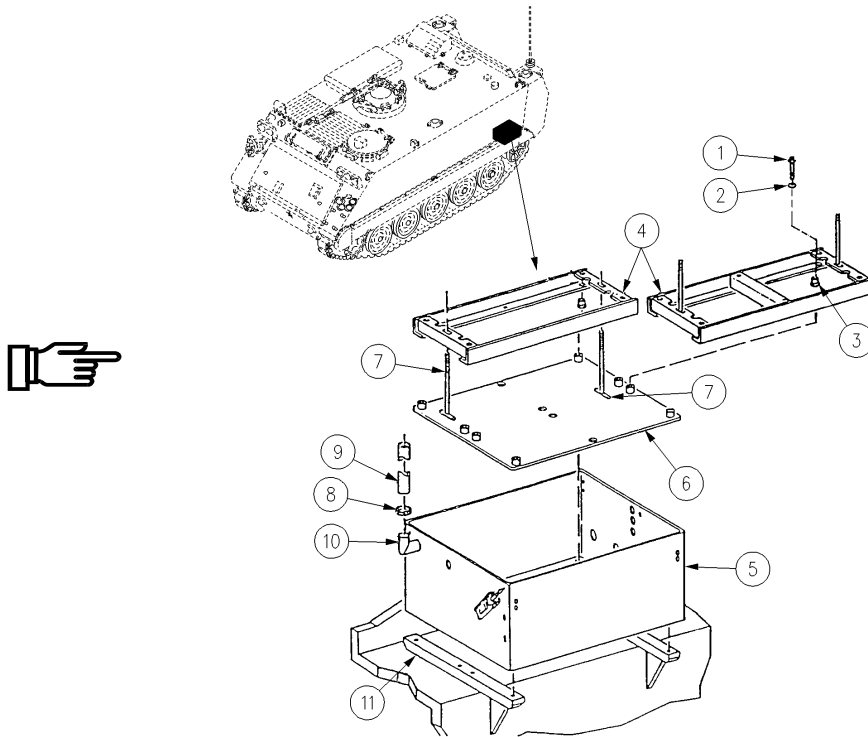
Battery is heavy and can cause back injury if handled improperly. Be sure to have helper assist you to remove and replace battery. Battery weighs about 75 lb (34 kg).

WARNING

Electrolyte and battery corrosion can cause injury to you. Wear safety goggles and gloves. If electrolyte or battery corrosion contacts the eyes, skin, or clothing, flush immediately with large amounts of cold water. In case of eye or skin contact, see a doctor immediately.

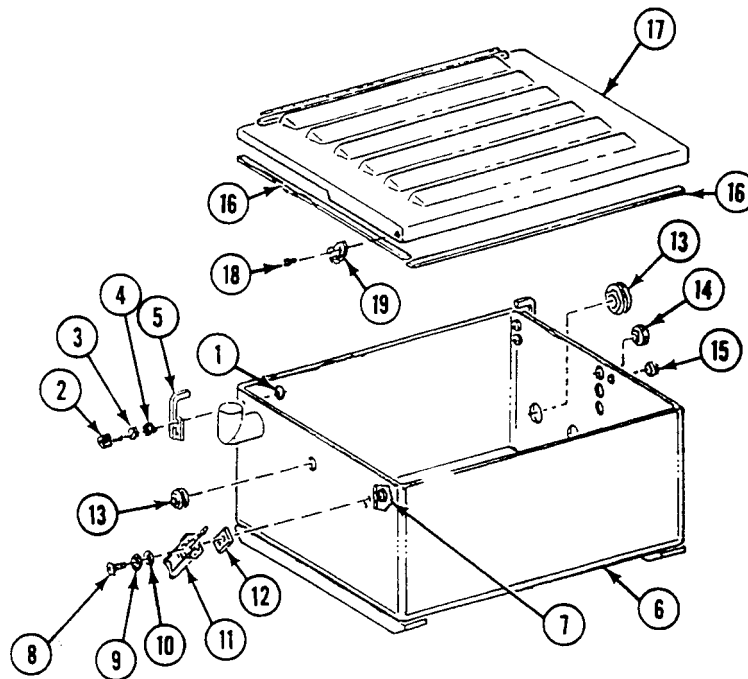
3. Remove four batteries.

4. Remove eight screws (1), washers (2), and resilient mounts (3) and lift two battery racks (4) out of battery box (5).
5. Remove battery box assembly support plate (6) from battery box (5). Remove four T-head bolts (7) from two battery racks (4).
6. Loosen battery box hose clamp (8) and detach nonmetallic hose (9) from vent (10).
7. Remove battery box (5) from mounting blocks (11).



DISASSEMBLY

1. Remove four nuts (1), screws (2), lockwashers (3), and washers (4) holding two hooks (5) on battery box (6). Discard lockwashers.
2. Remove two hooks (5).
3. Remove four nuts (7), screws (8), lockwashers (9), washers (10), two clamping catches (11), and spacers (12) from battery box (6). Discard lockwashers.
4. Remove four caps (13), grommets (14), and one grommet (15) from battery box (6).
5. Remove four neoprene gaskets (16) from battery box cover (17).
6. Using a drill or chisel, remove solid rivet (18) and catch strike (19) from battery box cover (17).



CLEANING

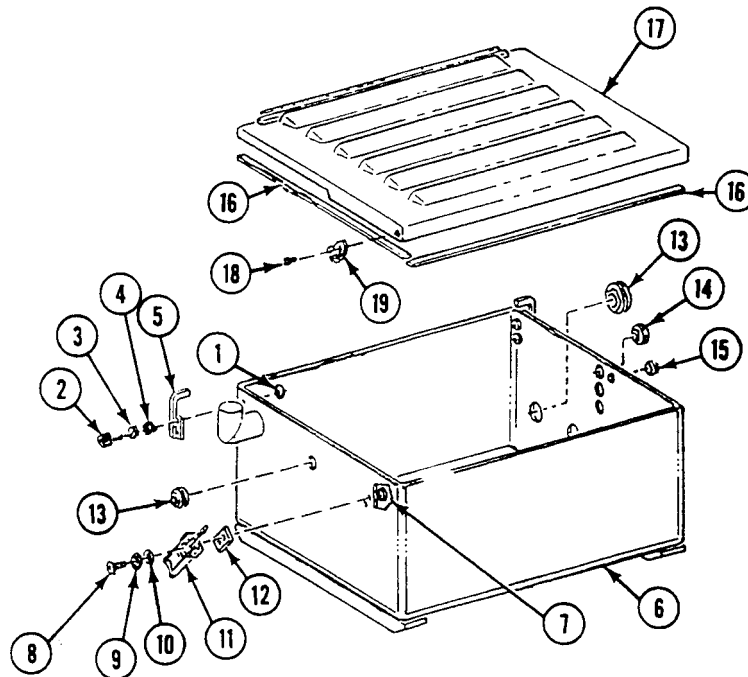
WARNING

Battery posts and cables touched by metal objects can short circuit and burn you. Do not wear jewelry, necklaces, or watches when working on the electrical system. Keep tools away from posts, wires, and terminals.

1. Clean battery with nonmetallic brush dipped in mixture of sodium bicarbonate and water. After foaming stops, flush battery with clean water. Dry with clean cloth.
2. Clean battery box retainers and parts by soaking in mixture of sodium bicarbonate and water. Dry parts and apply coating listed in order of preference.
3. See TM 9-6140-200-14 to service batteries.

ASSEMBLY

1. Install four caps (13), grommets (14), and one grommet (15) in battery box (6) openings.
2. Install two spacers (12) and clamping catches (11), four washers (10), new lockwashers (9), screws (8), and nuts (7) on battery box (6).
3. Install two hooks (5), four washers (4), lockwashers (3) screws (2), and nuts (1) on battery box (6).
4. Using rivet tool, attach solid rivet (18) and catch strike (19) to battery box cover (17).
5. Apply adhesive to four neoprene gaskets (16) and attach gaskets to battery box cover (17).



INSTALLATION

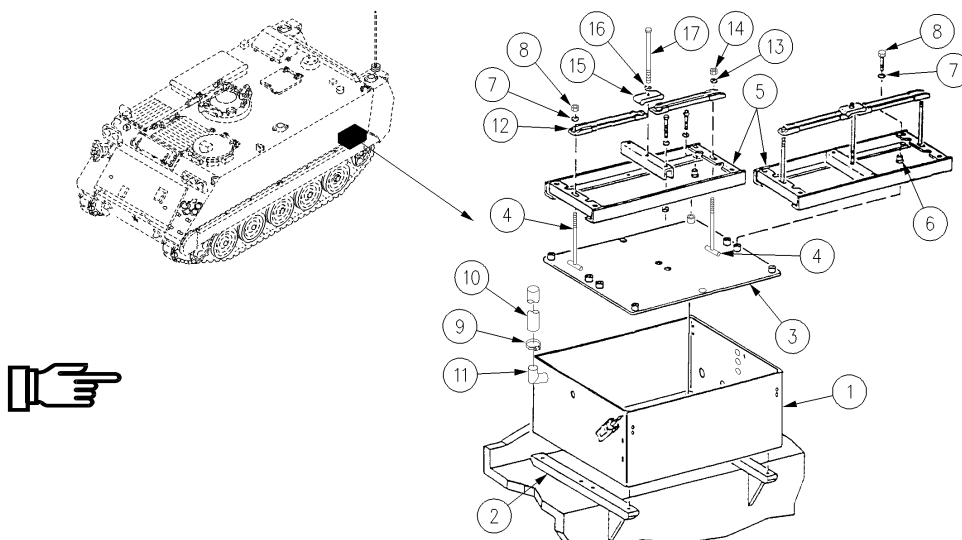
1. Align battery box (1) on two mounting blocks (2).
2. Install battery box assembly support plate (3) in battery box (1). Align mounting holes with battery box (1) mounting holes.
3. Install four T-head bolts (4) on two battery racks (5).
4. Install eight resilient mounts (6) and two battery racks (5) in battery box (1). Secure with eight washers (7) and screws (8).
5. Place clamp (9) on nonmetallic hose (10) and attach hose to vent (11). Tighten clamp (9).

WARNING



Battery is heavy and can cause back injury if handled improperly. Be sure to have helper assist you to remove and replace battery. Battery weighs about 75 lb (34 kg).

6. Install four batteries in battery box (1).
7. Install four battery retainers (12) on two battery racks (5). Secure with four washers (13) and new locknuts (14).
8. Install two battery clamps (15), washers (16), and bolts (17) on two battery racks (5).



FOLLOW-THROUGH STEPS

1. Install battery leads and terminals (WP 0345 00).
2. Install battery ground leads (WP 0337 00). ■
3. Start engine (see your -10).
4. Raise and lock ramp (see your -10).
5. Stop engine (see your -10).

END OF TASK

REPLACE BATTERIES AND RETAINERS (M1064A3 ONLY)

0349 00

THIS WORK PACKAGE COVERS:

- Removal (page 0349 00-2).
- Cleaning and Inspection (page 0349 00-4).
- Installation (page 0349 00-5).

INITIAL SETUP:

Maintenance Level

Unit

References

See your -10
TM 9-6140-200-14

Tools and Special Tools

- General Mechanic's Tool Kit (WP 0926 00, Item 65)
- Battery Wire Brush (WP 0926 00, Item 10)

Materials/Parts

- Epoxy coating kit (WP 0928 00, Item 30)
- Sodium bicarbonate (WP 0928 00, Item 60)
- Wiping rag (WP 0928 00, Item 65)

Equipment Condition

- Engine stopped (see your -10)
- Battery leads disconnected and terminal lugs removed (left side) (WP 0343 00)
- Battery leads disconnected and terminal lugs removed (right side) (WP 0344 00)

Personnel Required

- Unit Mechanic
 - Helper (H)
-

REMOVAL

CAUTION

Do not start carriers while batteries are disconnected. Starting engine with outside power while batteries are disconnected will damage electrical components in the regulator.

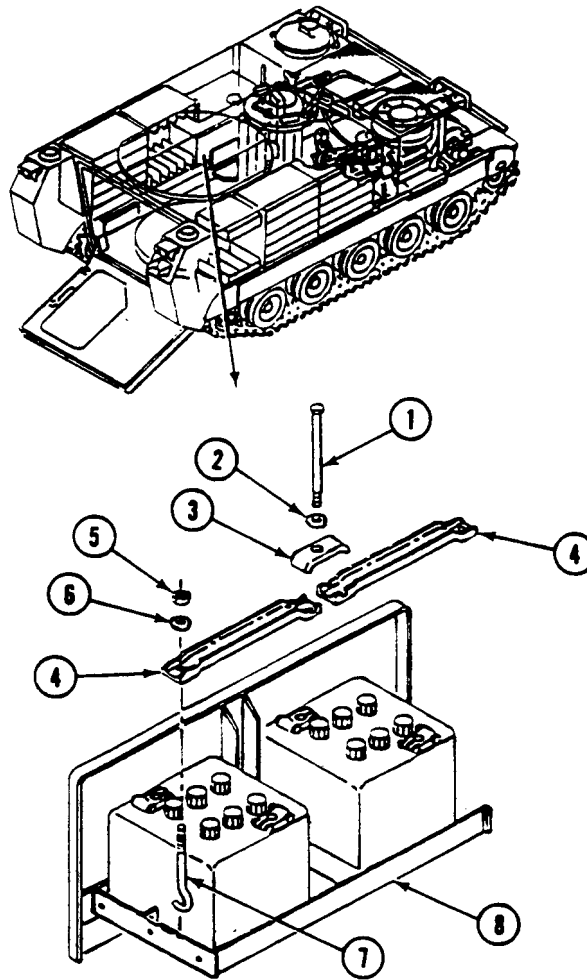
NOTE

Procedures are the same for removing left and right side. Access is different.

For right side, Remove Battery Box Cover/Seat See your -10

For left side, Open Battery Drawer See your -10

1. Remove bolt (1), washer (2), and clamp (3) from two retainers (4).
2. Remove two nuts (5), washers (6), and retainers (4) from two hooks (7). Remove hooks from frame (8).



WARNING

Electrolyte and battery corrosion can cause injury to you. Wear safety goggles and gloves. If electrolyte or battery corrosion contacts the eyes, skin, or clothing, flush with large amounts of cold water and see a doctor immediately.

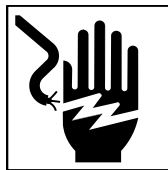
WARNING

Battery is heavy and can cause back injury if handled improperly. Be sure to have helper assist to remove battery. Battery weighs about 75 lb (34 kg).

CAUTION

Be careful. Do not hit side of carrier. You could crack the case. Set battery down gently on a board.

3. Remove batteries (1) from battery box (2). Lift battery by carrying handles built into each battery.

CLEANING**CLEAN AND INSPECT****WARNING**

Battery posts and cables touched by metal objects can short circuit and burn you. Do not wear jewelry, necklaces, or watches when working on the electrical system. Keep tools away from posts, wires, and terminals.

1. Clean battery with nonmetallic brush dipped in mixture of sodium bicarbonate and water. After foaming stops, flush battery with clean water. Dry with clean cloth.
2. Clean retainers and parts by soaking in mixture of sodium bicarbonate and water. Dry parts and apply epoxy coating.
3. See TM 9-6140-200-14 to service batteries.

INSTALLATION

WARNING

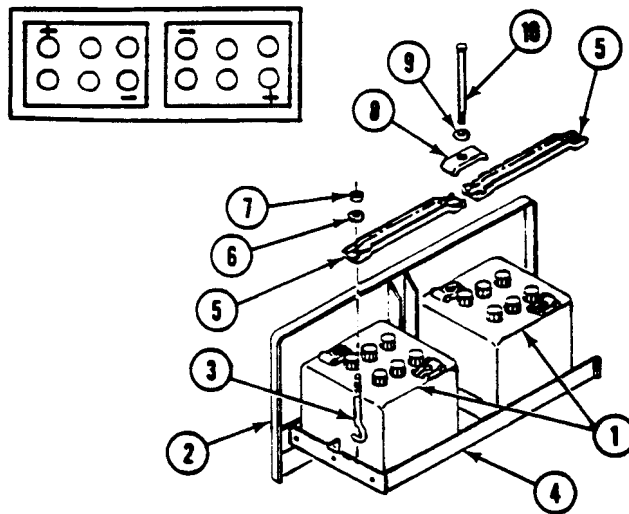


Battery is heavy and can cause back injury if handled improperly. Be sure to have helper assist to install battery. Battery weighs about 75 lb (34 kg).

CAUTION

Place batteries with positive (+) and negative (-) terminals as shown in diagram. Damage to components will occur if batteries are hooked up wrong.

1. Place batteries (1) in battery box (2).
2. Place hooks (3) in battery frame (4).
3. Place two retainers (5) on two hooks (3). Secure with two washers (6) and nuts (7).
4. Place clamp (8) on two retainers (5). Secure with washer (9) and bolt (10).



FOLLOW-THROUGH STEPS

1. Install terminal lugs and connect battery leads (left side) (WP 0343 00) and install terminal lugs and connect battery leads (right side) (WP 0343 00).
2. Turn MASTER SWITCH ON to check that battery is installed correctly. MASTER SWITCH ON light should come on (see your -10).
3. Start engine (see your -10).
4. Raise and lock ramp (see your -10).
5. Stop engine (see your -10).

END OF TASK

REPAIR BATTERY BOX (M113A3 AND M1059A3 ONLY)

0350 00 ■

THIS WORK PACKAGE COVERS:

Removal (page 0350 00-1).
 Cleaning and Inspection (page 0350 00-3).
 Installation (page 0350 00-4).

INITIAL SETUP:

Maintenance Level

Unit

Personnel Required

Unit Mechanic

Tools and Special Tools

General Mechanic's Tool Kit (WP 0926 00, Item 65)
 Socket Wrench Set (WP 0926 00, Item 72)
 Torque Wrench (WP 0926 00, Item 80)

References

See your -10

Materials/Parts

Bituminous coating compound (WP 0928 00, Item 13)
 Epoxy coating kit (WP 0928 00, Item 30)
 Sodium bicarbonate (WP 0928 00, Item 60)
 Grommet (3)
 Locknut (6)
 Mount (4)

Equipment Condition

Engine stopped (see your -10)
 Carrier blocked (see your -10)
 Ramp lowered (see your -10)
 Battery ground strap disconnected (WP 0337 00)
 Battery access covers removed (see your -10)
 Battery leads and terminals removed (WP 0340 00)
 Batteries and retainers removed (WP 0346 00)

REMOVAL

NOTE

Both front and rear battery boxes are repaired the same way.

NOTE

Repair of the battery box is limited to replacement of channel dividers, frames, frame mounts, and latches.

NOTE

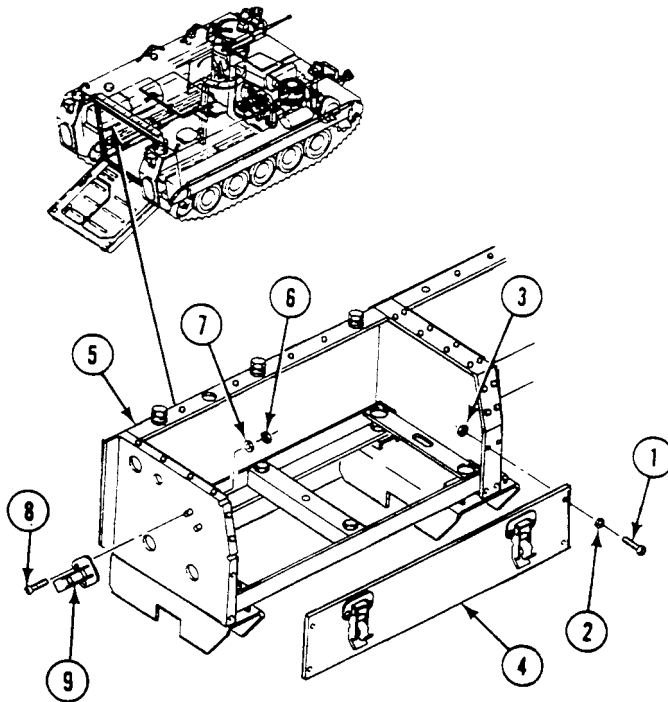
On newer models, there are screws and washers securing the front plate to the battery box.

1. Remove four screws (1), eight washers (2), four locknuts (3), and front plate (4) from battery box (5). Discard locknuts.

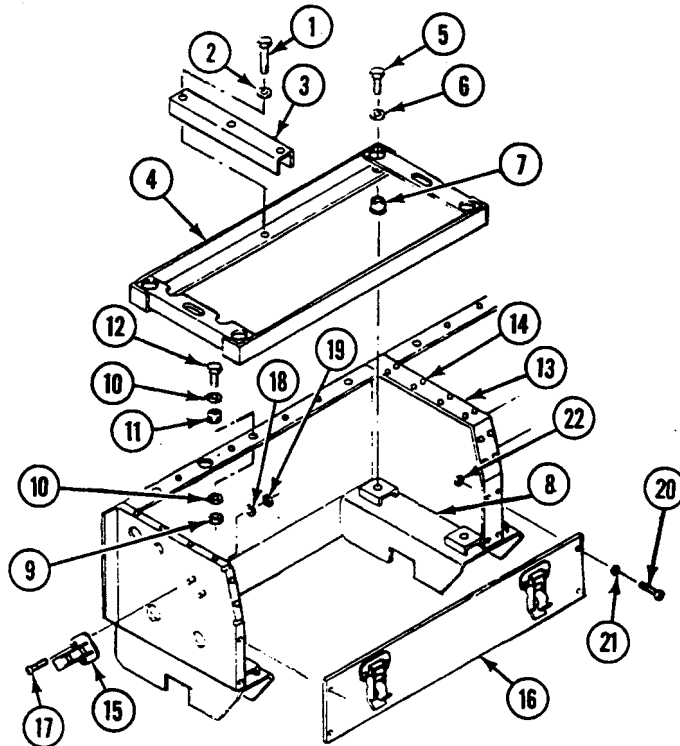
NOTE

Six latches are removed the same way. Two are located on the boxes. Four are located on the front plates.

2. Remove two locknuts (6), washers (7), screws (8), and latch (9) from box (5) or plate (4). Discard locknuts.



3. Remove two screws (1), washers (2), and channel divider (3) from battery box frame (4).
4. Remove four screws (5), eight washers (6), and battery box frame (4) with four frame mounts (7) from battery box support (8).
5. Remove four frame mounts (7) from battery box frame (4). Discard mounts.
6. Remove three nuts (9), six washers (10), three grommets (11), and screws (12) from rear of battery box (13). Discard grommets.
7. If damaged, remove rubber bumpers (14) from battery box (13). Discard bumpers.



CLEANING AND INSPECTION

1. Clean battery box by soaking in mixture of sodium bicarbonate and water. Dry parts and apply coating.

INSTALLATION

1. If removed, install new rubber bumpers (14) on battery box (13).
2. Install three new grommets (11) in rear of battery box (13). Secure with three screws (12), six washers (10), and three nuts (9).
3. Install four new frame mounts (7) in battery box frame (4).
4. Install battery box frame (4) with frame mounts (7). Secure with four screws (5) and washers (6).
5. Install channel divider (3) on battery box frame (4). Secure with two screws (1) and washers (2). **TIGHTEN SCREWS TO 120-192 LB-IN (14-22 N·m) TORQUE.**

NOTE

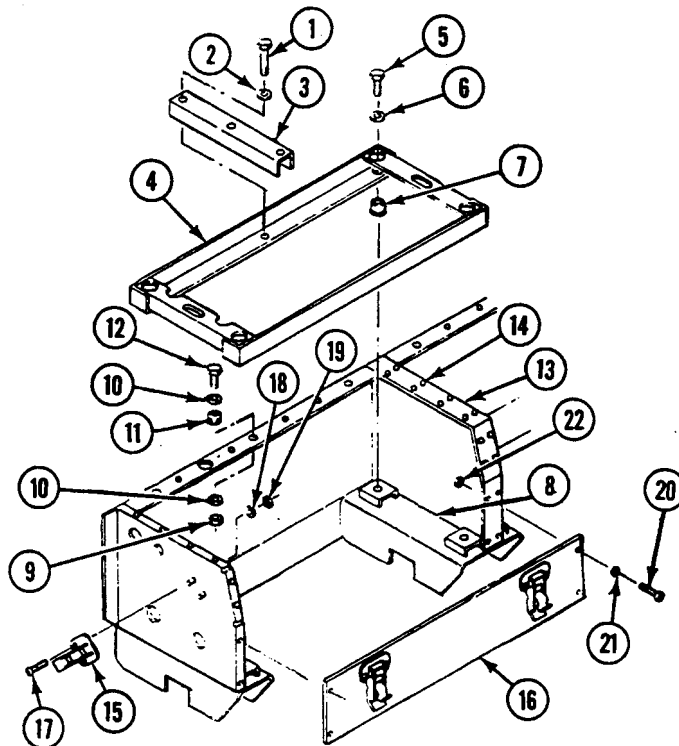
Six latches are installed the same way.

6. Install latch (15) on battery box (13) or front plate (16). Secure with two screws (17), washers (18), and new locknuts (19).

NOTE

On newer models, there are screws and washers securing the front plate to the battery box.

7. Install front plate (16) on battery box (13). Secure with four screws (20), eight washers (21), and four new locknuts (22).



FOLLOW-THROUGH STEPS

1. Install batteries and retainers (WP 0346 00).
2. Install battery leads and terminals (WP 0340 00).
3. Install battery access covers (see your -10).
4. Connect battery ground strap (WP 0337 00).
5. Start engine (see your -10).
6. Raise and lock ramp (see your -10).
7. Stop engine (see your -10).

END OF TASK

REPAIR BATTERY BOX (M577A3 AND M1068A3 ONLY)

0351 00

THIS WORK PACKAGE COVERS:

- Removal (page 0351 00-2).
- Clean and Inspect (page 0351 00-2).
- Installation (page 0351 00-2).

INITIAL SETUP:

Maintenance Level

Unit

References

See your -10

Tools and Special Tools

- General Mechanic's Tool Kit (WP 0926 00, Item 65)
- Hand Blind Riveter (WP 0926 00, Item 44)
- Socket Wrench Set (WP 0926 00, Item 72)
- Torque Wrench (WP 0926 00, Item 80)

Equipment Condition

- Engine stopped (see your -10)
- Carrier blocked (see your -10)
- Ramp lowered (see your -10)
- Battery access cover removed (see your -10)
- Battery ground lead disconnected (WP 0338 00)
- Battery leads removed (WP 0341 00)
- Battery and retainers removed (WP 0347 00)

Materials/Parts

- Bituminous coating compound (WP 0928 00, Item 13)
- Epoxy coating kit (WP 0928 00, Item 30)
- Sodium bicarbonate (WP 0928 00, Item 60)
- Lockwasher (4)

Personnel Required

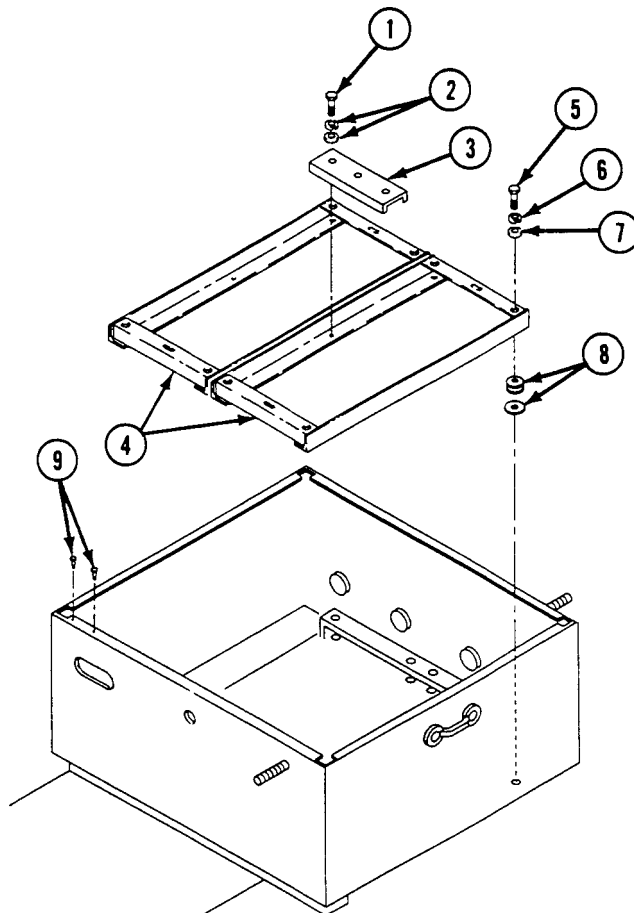
Unit Mechanic

REMOVAL

NOTE

Repair of the battery box is limited to replacement of the channels, frames, and latches.

1. Remove two screws (1), washers (2), and channel divider (3) from battery box frame (4).
2. Remove screws (5), lockwashers (6), washers (7), hardened washers (8), and battery box frame (4) from battery box. Discard lockwashers.
3. If damaged, remove rubber bumpers (9) from battery box. Discard bumpers.



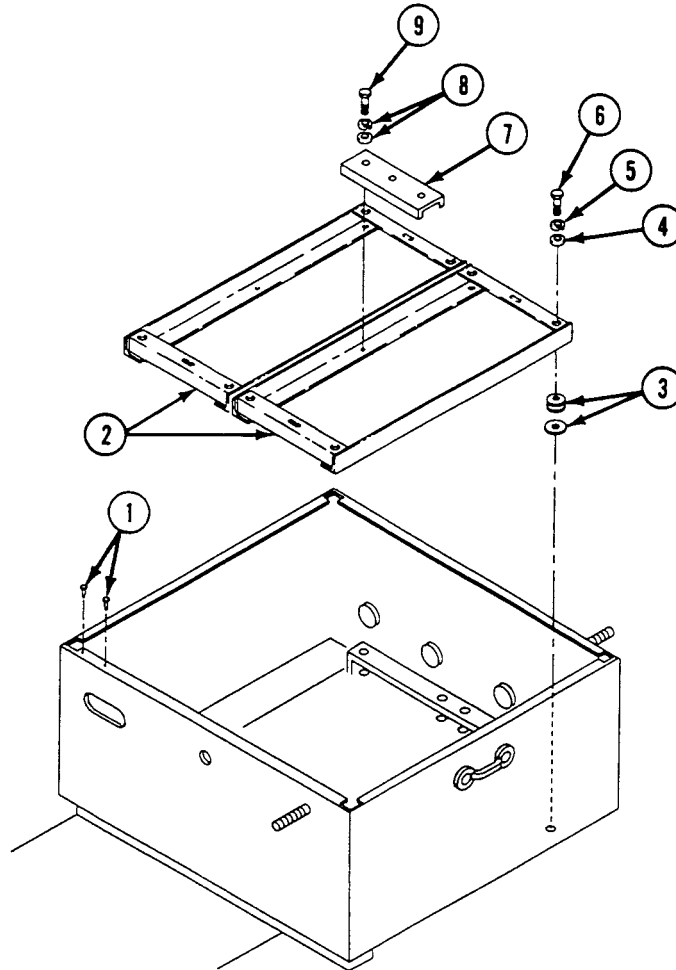
■ CLEAN AND INSPECT

1. Clean battery box by soaking in mixture of sodium bicarbonate and water. Dry parts and apply coating. Replace damaged, corroded, or missing parts.

INSTALLATION

1. If removed, install new rubber bumpers (1) on battery box.
2. Install battery box frame (2) in battery box. Secure with four hardened washers (3), washers (4), new lockwashers (5), and screws (6).

3. Install channel divider (7) on battery box frame (2). Secure with two washers (8) and screws (9). TIGHTEN SCREWS TO 96-120 LB-IN (11-14 N·m) TORQUE.



FOLLOW-THROUGH STEPS

1. Install batteries and retainers (WP 0347 00).
2. Install battery leads (WP 0341 00).
3. Connect battery ground lead (WP 0338 00).
4. Install battery access cover (see your -10).
5. Start engine (see your -10).
6. Raise and lock ramp (see your -10).
7. Stop engine (see your -10).

END OF TASK

REPAIR BATTERY BOX ACCESS COVER (M577A3 AND M1068A3 ONLY)

0352 00

THIS WORK PACKAGE COVERS:

Removal (page 0352 00-1).
 Installation (page 0352 00-2).

INITIAL SETUP:

Maintenance Level

Unit

References

See your -10

Tools and Special Tools

General Mechanic's Tool Kit (WP 0926 00, Item 65)

Equipment Condition

Engine stopped (see your -10)

Materials/Parts

Self-locking wing nut (2)

Carrier blocked (see your -10)

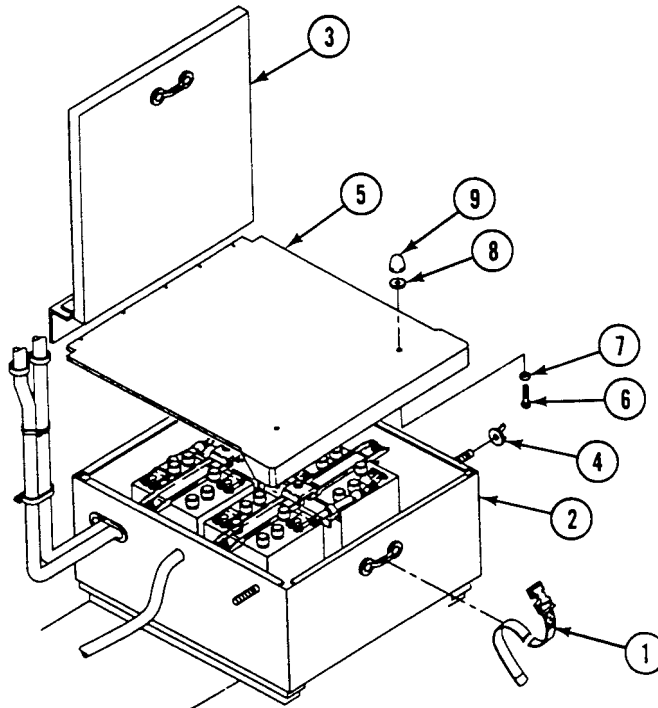
Personnel Required

Unit Mechanic

Ramp lowered (see your -10)

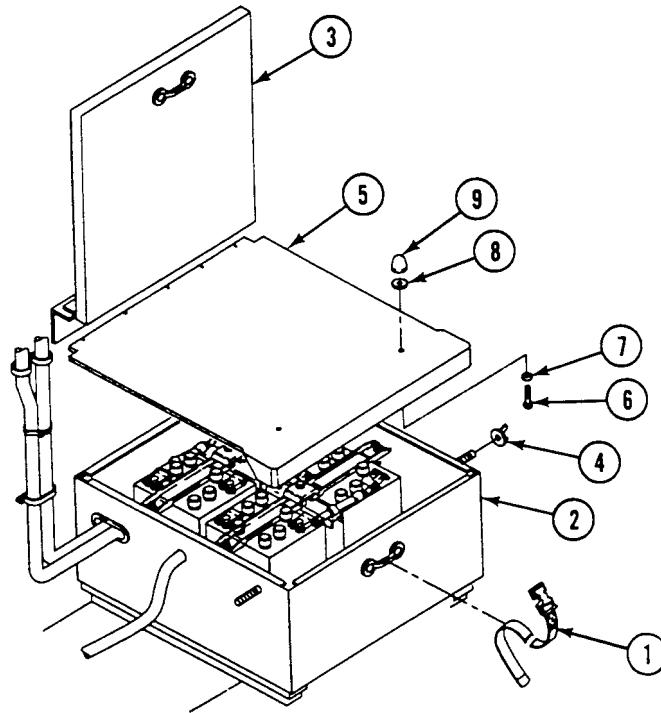
REMOVAL

1. Remove strap (1) from battery box (2) and raise right forward table (3).
2. Remove two self-locking wing nuts (4) and battery box access cover (5) from battery box (2). Discard self-locking wing nuts.
3. Remove two screws (6), washers (7), washers (8) and bumpers (9) from battery box access cover (5).



INSTALLATION

1. Install two bumpers (9), washers (8) (as required), washers (7), and screws (6) in battery box access cover (5).
2. Install battery box access cover (5) and two new self-locking wing nuts (4) on battery box (2).
3. Lower right forward table (3) on bumpers (9). Add washers (8) to raise bumpers or remove washers (8) to lower bumpers.
4. Install strap (1) on battery box (2).

**FOLLOW-THROUGH STEPS**

1. Raise and lock ramp (see your -10).

END OF TASK

REPAIR BATTERY DRAWER (M1064A3 ONLY)

0353 00

THIS WORK PACKAGE COVERS:

- Removal (page 0353 00-1).
- Cleaning and Inspection (page 0353 00-3).
- Installation (page 0353 00-4).

INITIAL SETUP:

Maintenance Level

Unit

Personnel Required

Unit Mechanic

Tools and Special Tools

General Mechanic's Tool Kit (WP 0926 00, Item 65)

References

See your -10

Materials/Parts

- Grease (WP 0928 00, Item 12)
- Epoxy coating kit (WP 0928 00, Item 30)
- Sodium bicarbonate (WP 0928 00, Item 60)
- Locknut (18)
- Locknut (8)
- Locknut (4)
- Locknut (2)
- Locknut

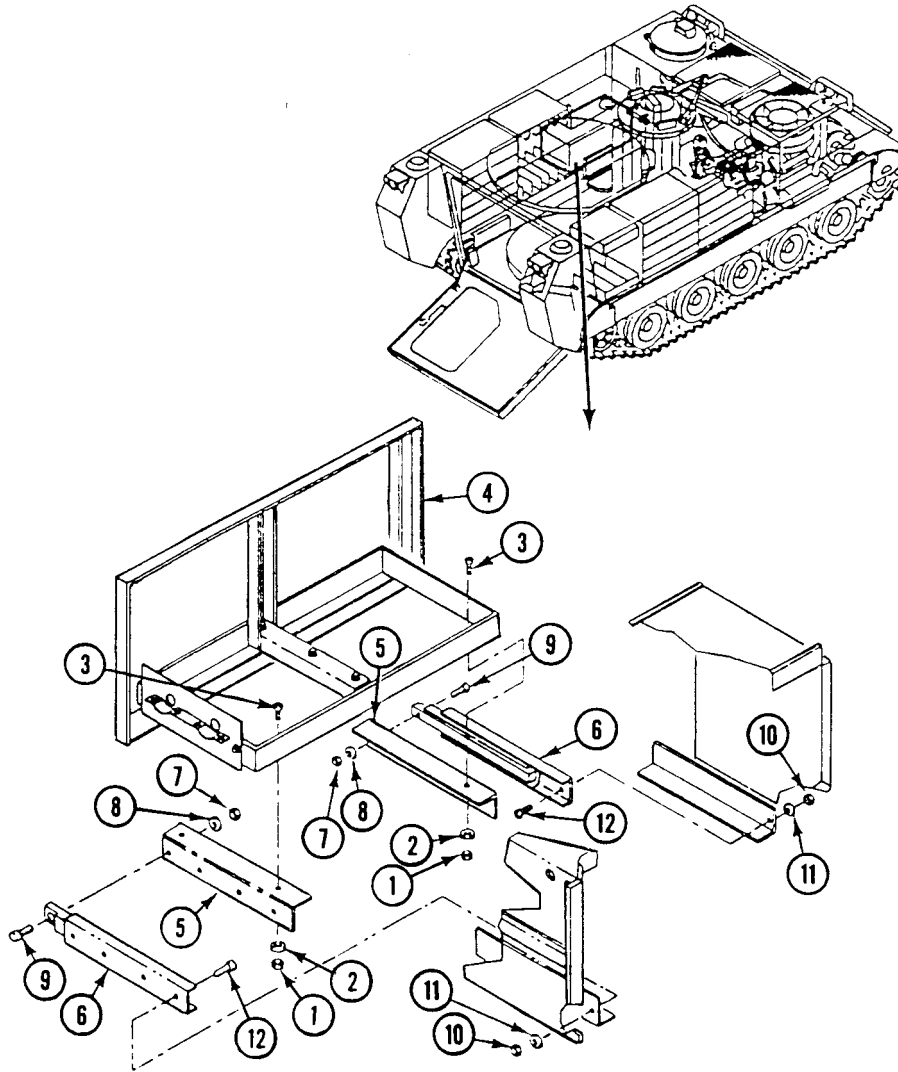
Equipment Condition

- Engine stopped (see your -10)
 - Carrier blocked (see your -10)
 - Battery leads removed (WP 0343 00)
 - Batteries and retainers removed (WP 0349 00)
-

REMOVAL

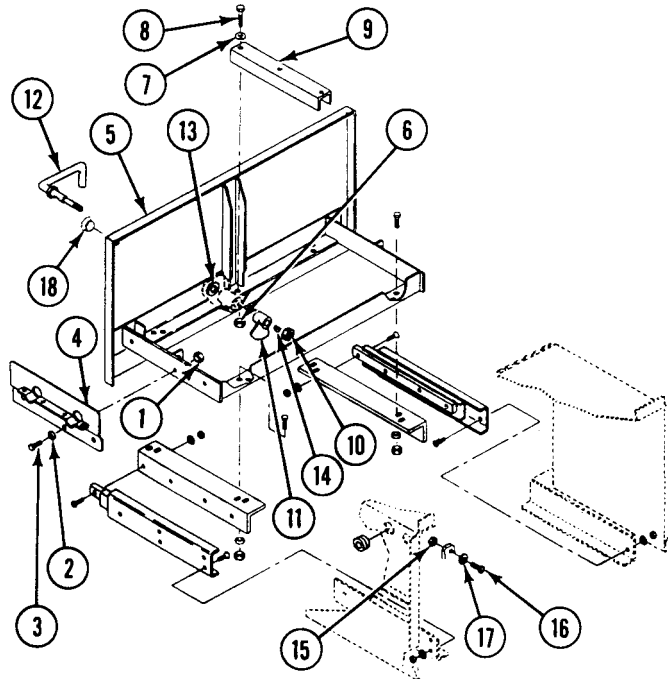
1. Remove eight locknuts (1), washers (2), screws (3), and battery drawer (4) from two angles (5). Discard locknuts.
2. Extend two slide assemblies (6) to stops. Remove eight locknuts (7), washers (8), screws (9), and two angles (5) from slide assemblies. Discard locknuts.

3. Extend two slide assemblies (6) to stops. Remove 10 locknuts (10), washers (11), screws (12), and slide assemblies from hull mounts. Discard locknuts.



REPAIR BATTERY DRAWER (M1064A3 ONLY) — Continued**0353 00**

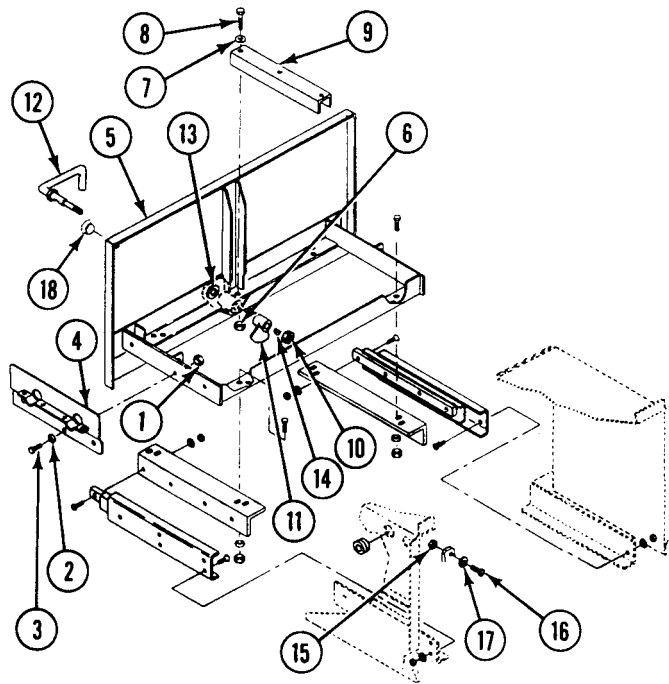
4. Remove three locknuts (1), washers (2), screws (3), and plate (4) from side of battery drawer (5). Discard locknuts.
5. Remove two locknuts (6), washers (7), screws (8), and channel divider (9) from battery drawer (5). Discard locknuts.
6. Remove locknut (10), cam (11), handle (12), and washer (13) from battery drawer (5). Remove key (14) from handle. Discard locknut.
7. If needed, remove locknut (15), screw (16), and wear plate (17) from hull mount.
8. If needed, remove two rubber bumpers (18) from front of battery drawer (5).

**CLEANING****CLEANING AND INSPECTION**

1. Inspect slide assemblies. If the slide binds or has damaged stops, install a new slide.
2. Clean drawer and parts by soaking in a solution of sodium bicarbonate and water. After foaming stops, flush with clean water and dry with clean cloth.
3. Inspect battery drawer for dents and cracks. If damaged beyond repair, install new drawer.

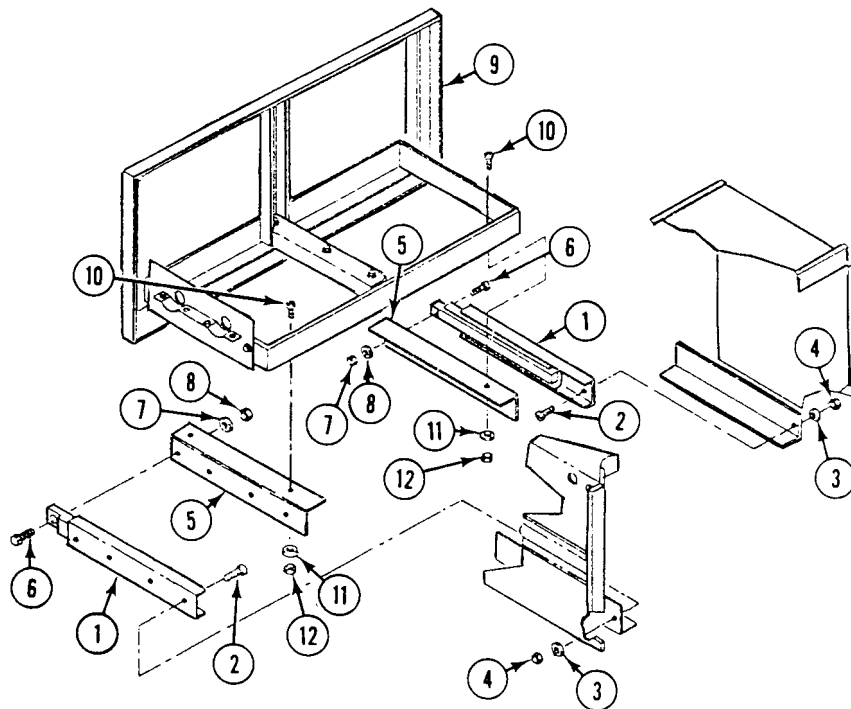
INSTALLATION

1. Apply epoxy coating to inside surface of battery drawer (5).
2. If removed, install rubber bumpers (18) in battery drawer (5).
3. If removed, place wear plate (17) on hull mount. Secure with screw (16) and new locknut (15).
4. Install washer (13) and handle (12) in battery drawer (5). Insert key (14) in handle and install cam (11). Secure with new locknut (10).
5. Place channel divider (9) in battery drawer (5). Secure with two screws (8), washers (7), and new locknuts (6).
6. Place plate (4) on side of drawer (5). Secure with three screws (3), washers (2), and new locknuts (1).



REPAIR BATTERY DRAWER (M1064A3 ONLY) — Continued**0353 00**

7. Coat all bearing surfaces of two slide assemblies (1) with grease.
8. Place two slide assemblies (1) on hull mounts. Extend slide stops. Secure with 10 screws (2), washers (3), and new locknuts (4).
9. Extend two slide assemblies (1) to stops. Align two angles (5) with holes in slides. Secure with eight screws (6), washers (7), and new locknuts (8).
10. Align battery drawer (9) with holes in two angles (5). Secure with eight screws (10), washers (11), and new locknuts (12).

**FOLLOW-THROUGH STEPS**

1. Install batteries and retainers (WP 0349 00).
2. Install battery leads (WP 0343 00).
3. Start engine (see your -10).
4. Raise and lock ramp (see your -10).
5. Stop engine (see your -10).

END OF TASK

REPAIR BATTERY BOX (RIGHT SIDE) (M1064A3)

0354 00

THIS WORK PACKAGE COVERS:

- Removal (page 0354 00-1).
 - Cleaning and Inspection (page 0354 00-2).
 - Installation (page 0354 00-3).
-

INITIAL SETUP:

Maintenance Level

Unit

Personnel Required

Unit Mechanic 63T10

Tools and Special Tools

- General Mechanic's Tool Kit (WP 0926 00, Item 65)
- Torque Wrench (WP 0926 00, Item 83)

References

See your -10

Materials/Parts

- Bituminous coating compound (WP 0928 00, Item 13)
- Epoxy coating kit (WP 0928 00, Item 30)
- Sodium bicarbonate (WP 0928 00, Item 60)
- Locknut (4)
- Lockwasher (4)
- Mount (4)

Equipment Condition

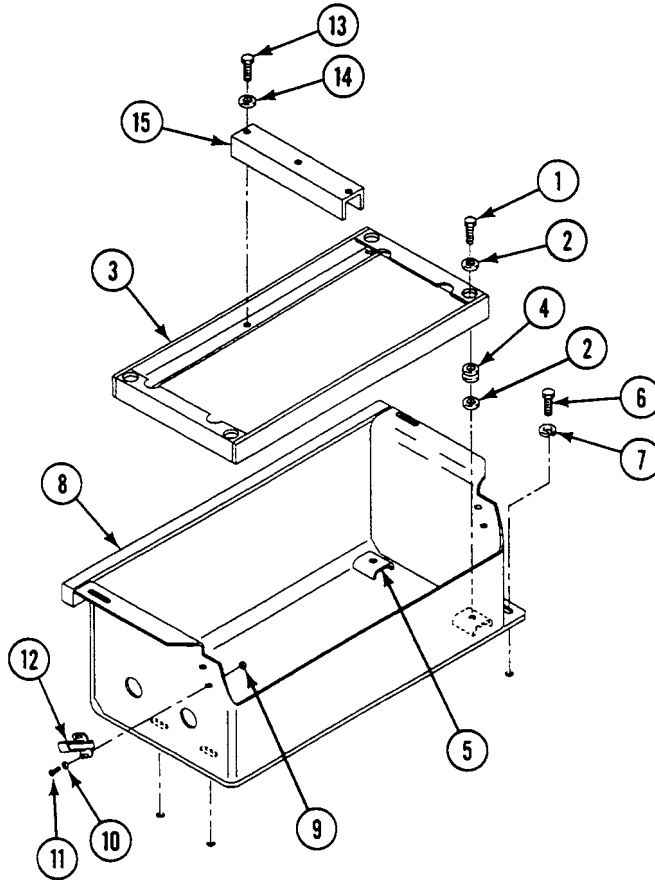
- Engine stopped (see your -10)
 - Carrier blocked (see your -10)
 - Ramp lowered (see your -10)
 - Battery box cover/seat removed (see your -10)
 - Battery leads removed (WP 0344 00)
 - Batteries and retainers removed (WP 0349 00)
-

REMOVAL

1. Remove four screws (1), eight washers (2), and battery box frame (3) with four frame mounts (4) from battery box brackets (5).

REPAIR BATTERY BOX (RIGHT SIDE) (M1064A3) — Continued**0354 00**

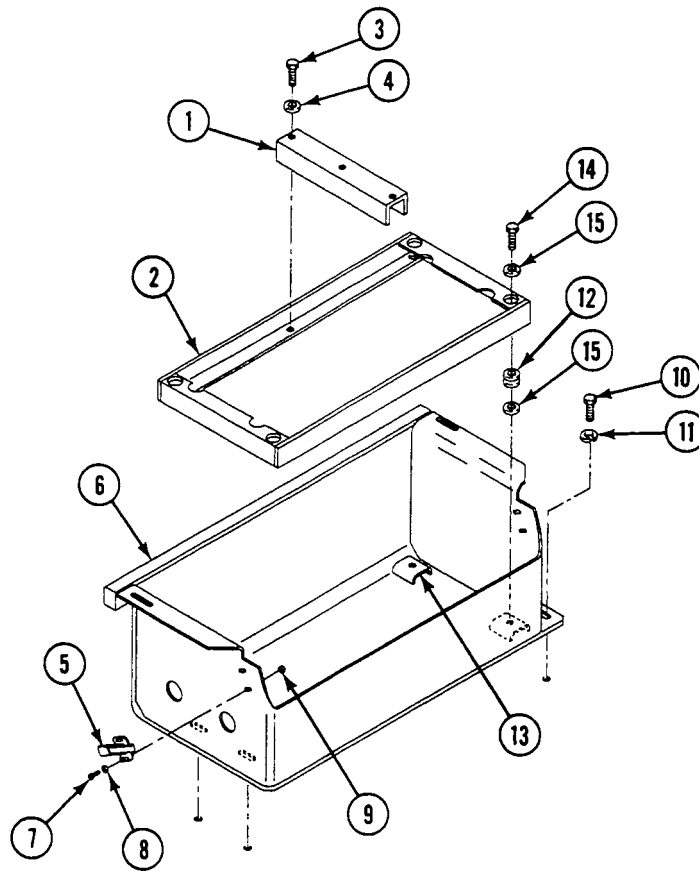
2. Remove four frame mounts (4) from battery box frame (3). Discard mounts.
3. Remove four screws (6), lockwashers (7), and battery box (8) from carrier. Discard lockwashers.
4. Remove four locknuts (9), washers (10), screws (11), and two latches (12) from battery box (8). Discard locknuts.
5. Remove two screws (13), washers (14), and channel divider (15) from battery box frame (3).

**CLEANING****CLEANING AND INSPECTION**

1. Clean battery box by soaking in mixture of sodium bicarbonate and water. Dry parts and apply coating. Replace damaged, corroded, or missing parts.

INSTALLATION

1. Install channel divider (1) on battery box frame (2). Secure with two screws (3) and washers (4). TIGHTEN SCREWS TO 120-192 LB-IN (14-22 N·m) TORQUE.
2. Place two latches (5) on side of battery box (6). Secure with four screws (7), washers (8), and new locknuts (9).
3. Install battery box (6) in carrier. Secure with four screws (10) and new lockwashers (11).
4. Install four new frame mounts (12) in battery box frame (2).
5. Position battery box frame (2) on battery box brackets (13). Secure with four screws (14) and eight washers (15). TIGHTEN SCREWS TO 96-120 LB-IN (11-14 N·m.) TORQUE.



FOLLOW-THROUGH STEPS

1. Install batteries and retainers (WP 0349 00).
2. Install battery leads (WP 0344 00).
3. Install battery box cover/seat (see your -10).
4. Start engine (see your -10).
5. Raise and lock ramp (see your -10).
6. Stop engine (see your -10).

END OF TASK

REPLACE BATTERY BOX VENT FITTING (M58 ONLY)

0355 00 ■

THIS WORK PACKAGE COVERS:

Removal (page 0355 00-1).
 Installation (page 0355 00-3).

INITIAL SETUP:

Maintenance Level

Unit

Personnel Required

Unit Mechanic

Tools and Special Tools

General Mechanic's Tool Kit (WP 0926 00, Item 65)

References

See your -10

Materials/Parts

Sealing compound (WP 0928 00, Item 49)
 Lockwasher (6)

Equipment Condition

Engine stopped (see your -10)
 Carrier blocked (see your -10)
 Ramp lowered (see your -10)

REMOVAL

WARNING

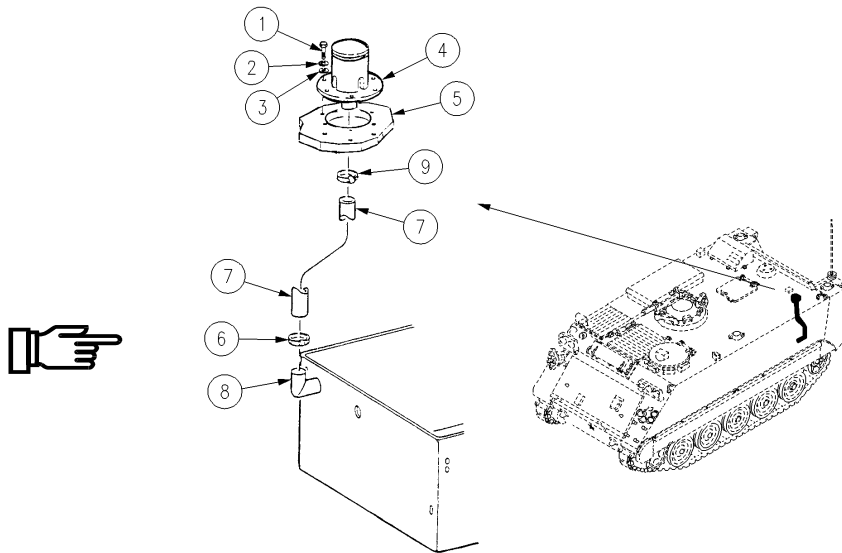


Gas from batteries can explode and injure you. Do not allow sparks near batteries. Battery acid can blind or burn you. Do not get acid on your skin or into your eyes.

■ REPLACE BATTERY BOX VENT FITTING (M58 ONLY) — Continued

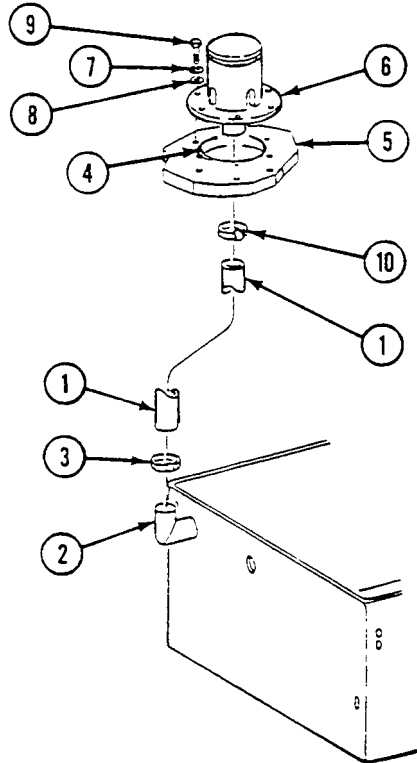
0355 00

1. Remove six screws (1), lockwashers (2), and washers (3) securing battery box vent fitting (4) to vehicle hull (5). Discard lockwashers.
2. Remove hose clamp (6) and hose (7) from battery box (8).
3. Remove battery box vent fitting (4) and attached hose (7) from vehicle hull (5).
4. Remove hose clamp (9) and hose (7) from battery box vent fitting (4).



INSTALLATION

1. Install hose (1) on battery box (2) with hose clamp (3).
2. Apply a bead of sealing compound around hole (4) in vehicle hull (5).
3. Align holes in battery box vent fitting (6) with holes in vehicle hull (5).
4. Secure battery box vent fitting (6) on vehicle hull (5) using six new lockwashers (7), washers (8), and screws (9).
5. Install hose (1) on battery box vent fitting (6) with hose clamp (10).

**FOLLOW-THROUGH STEPS**

1. Start engine (see your -10).
2. Raise and lock ramp (see your -10).
3. Stop engine (see your -10).

END OF TASK

REPLACE BATTERY TO MASTER SWITCH LEAD (CIRCUIT 6) (M113A3 AND M1059A3 ONLY)

0356 00

THIS WORK PACKAGE COVERS:

Removal (page 0356 00-1).
 Installation (page 0356 00-4).

INITIAL SETUP:

Maintenance Level

Unit

References

See your -10

Tools and Special Tools

General Mechanic's Tool Kit (WP 0926 00, Item 65)

Equipment Condition

Engine stopped (see your -10)
 Carrier blocked (see your -10)
 Ramp lowered (see your -10)
 Spall liners opened (see your -10)
 Battery ground strap disconnected (WP 0337 00)
 Battery access covers removed (see your -10)

Materials/Parts

Grommet
 Locknut (8)
 Lockwasher (2)

Personnel Required

Unit Mechanic

REMOVAL

WARNING



Gas from batteries can explode and injure you. Do not allow sparks near batteries. Battery acid can blind or burn you. Do not get acid on your skin or eyes.

WARNING

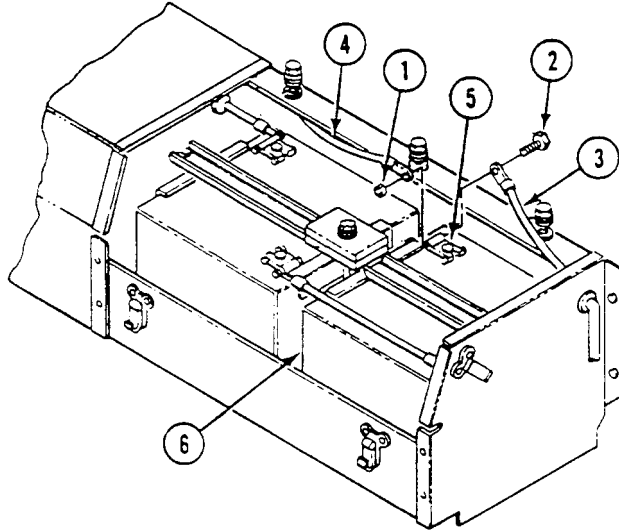


Electrical current can burn you. Disconnect battery ground lead before you start task.

REPLACE BATTERY TO MASTER SWITCH LEAD (CIRCUIT 6) (M113A3 AND M1059A3 ONLY) — Continued

0356 00

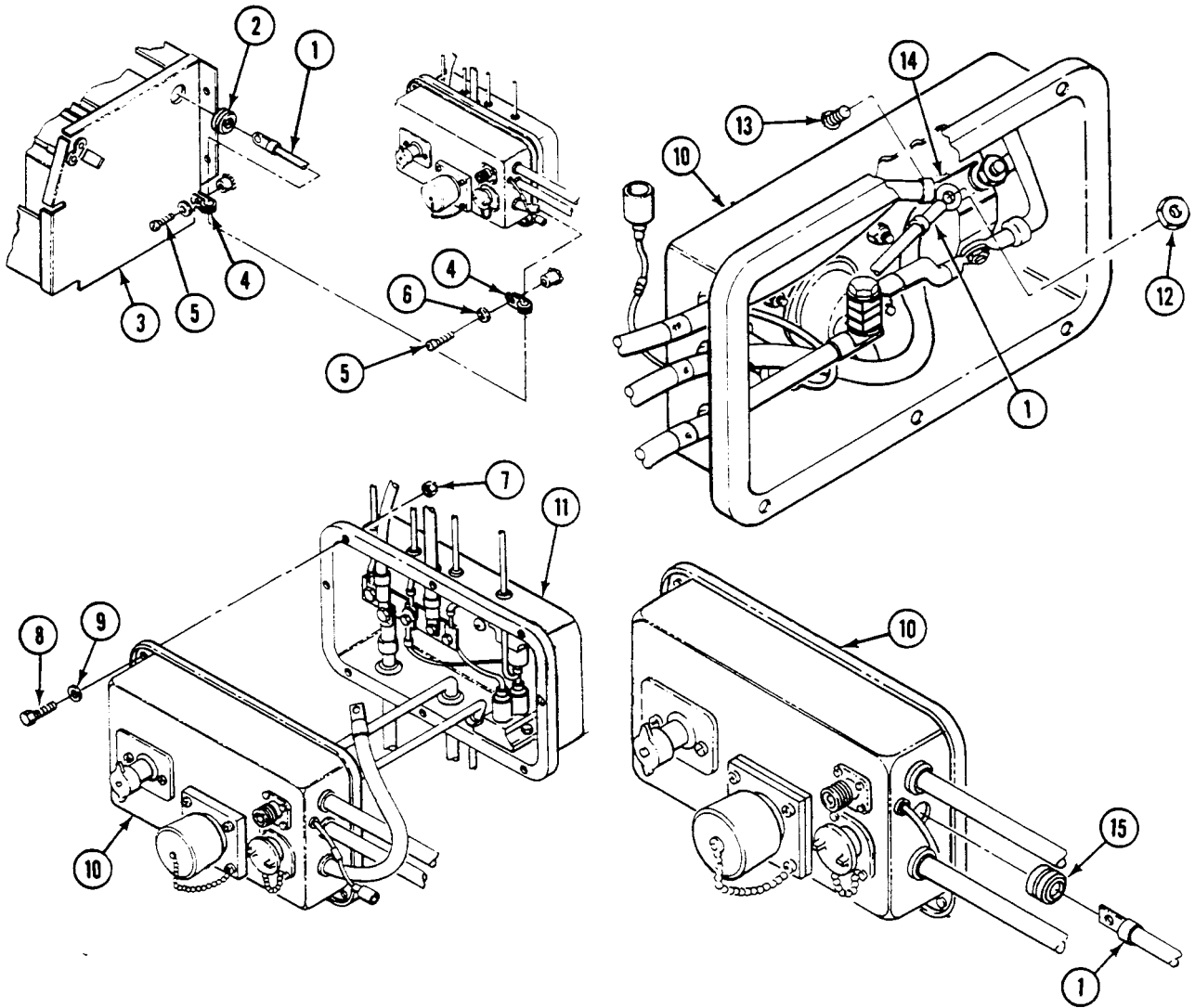
1. Remove nut (1), screw (2), circuit 6 lead (3), and positive jumper lead (4) from positive terminal (5) of front battery (6).



REPLACE BATTERY TO MASTER SWITCH LEAD (CIRCUIT 6) (M113A3 AND M1059A3 ONLY) — Continued

0356 00 ■

2. Remove circuit 6 lead (1) and grommet (2) from front battery box (3). Discard grommet.
3. Remove two clamps (4), screws (5), lockwashers (6), and circuit 6 lead (1) from hull. Discard lockwashers.
4. Remove eight locknuts (7), screws (8), washers (9), and master switch panel (10) from distribution box (11). Discard locknuts.
5. Remove nut (12), screw (13), and circuit 6 lead (1) from conductor bus (14) in master switch panel (10).
6. Remove circuit 6 lead (1) and grommet (15) from master switch panel (10). Discard grommet. Remove lead from carrier.



■ REPLACE BATTERY TO MASTER SWITCH LEAD (CIRCUIT 6) (M113A3 AND M1059A3 ONLY) — Continued

0356 00

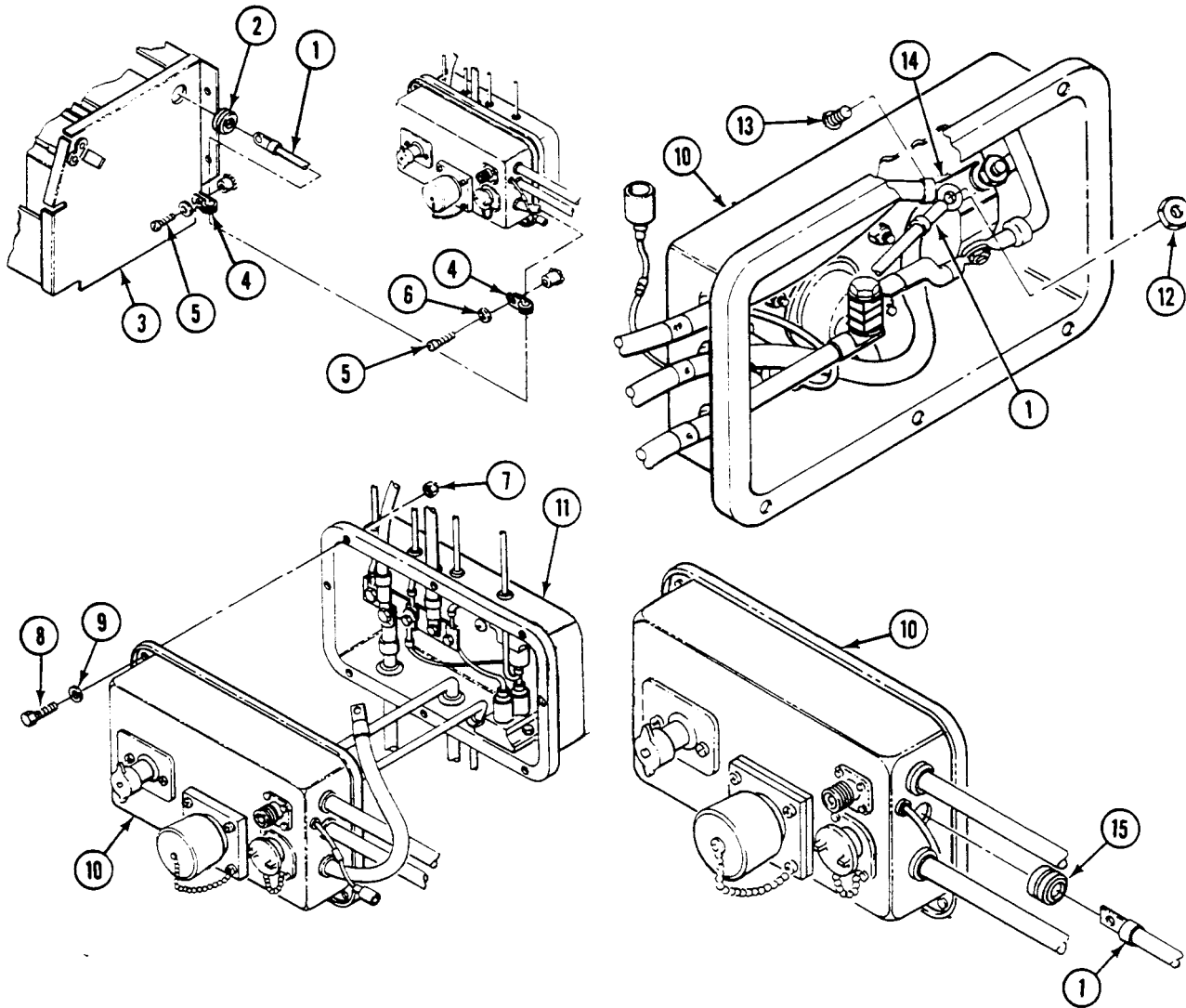
INSTALLATION

1. Install new grommet (15) on circuit 6 lead (1). Install lead and grommet in master switch panel (10).

NOTE

Make sure circuit 6 lead, circuit 2, and circuit 400 lead are installed before tightening nut.

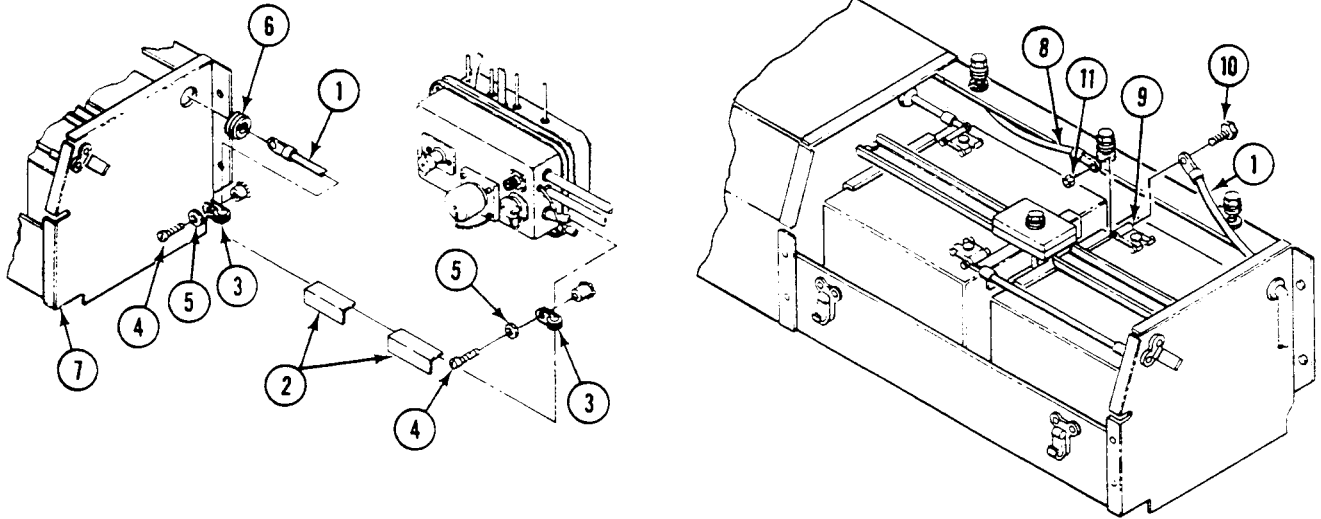
2. Install circuit 6 lead (1) on conductor bus (14) in master switch panel (10). Secure with screw (13) and nut (12).
3. Install master switch panel (10) on distribution box (11). Secure with eight screws (8), washers (9), and new locknuts (7).



REPLACE BATTERY TO MASTER SWITCH LEAD (CIRCUIT 6) (M113A3 AND M1059A3 ONLY) — Continued

0356 00 ■

4. Route circuit 6 lead (1) through hull support channel (2).
5. Install two clamps (3) on circuit 6 lead (1). Secure with two screws (4) and new lockwashers (5).
6. Install new grommet (6) on circuit 6 lead (1). Route lead through side of front battery box (7).
7. Install circuit 6 lead (1) and positive jumper lead (8) on positive terminal (9) of front battery. Secure with screw (10) and nut (11).



FOLLOW-THROUGH STEPS

1. Install battery access covers (see your -10).
2. Connect battery ground strap (WP 0337 00).
3. Close spall liners (see your -10).
4. Start engine (see your -10).
5. Raise and lock ramp (see your -10).
6. Stop engine (see your -10).

END OF TASK

REPLACE BATTERY TO MASTER SWITCH LEAD (CIRCUIT 6) (M577A3 AND M1068A3 ONLY)

0357 00

THIS WORK PACKAGE COVERS:

Removal (page 0357 00-1).
 Installation (page 0357 00-4).

INITIAL SETUP:

Maintenance Level

Unit

References

See your -10

Tools and Special Tools

General Mechanic's Tool Kit (WP 0926 00, Item 65)

Equipment Condition

Engine stopped (see your -10)
 Carrier blocked (see your -10)
 Ramp lowered (see your -10)
 Battery ground lead disconnected (WP 0338 00)
 Battery access cover removed (see your -10)

Materials/Parts

Locknut (8)
 Lockwasher (5)

Personnel Required

Unit Mechanic

REMOVAL

WARNING



Gas from batteries can explode and injure you. Do not allow sparks near batteries. Battery acid can blind or burn you. Do not get acid on your skin or in your eyes.

WARNING



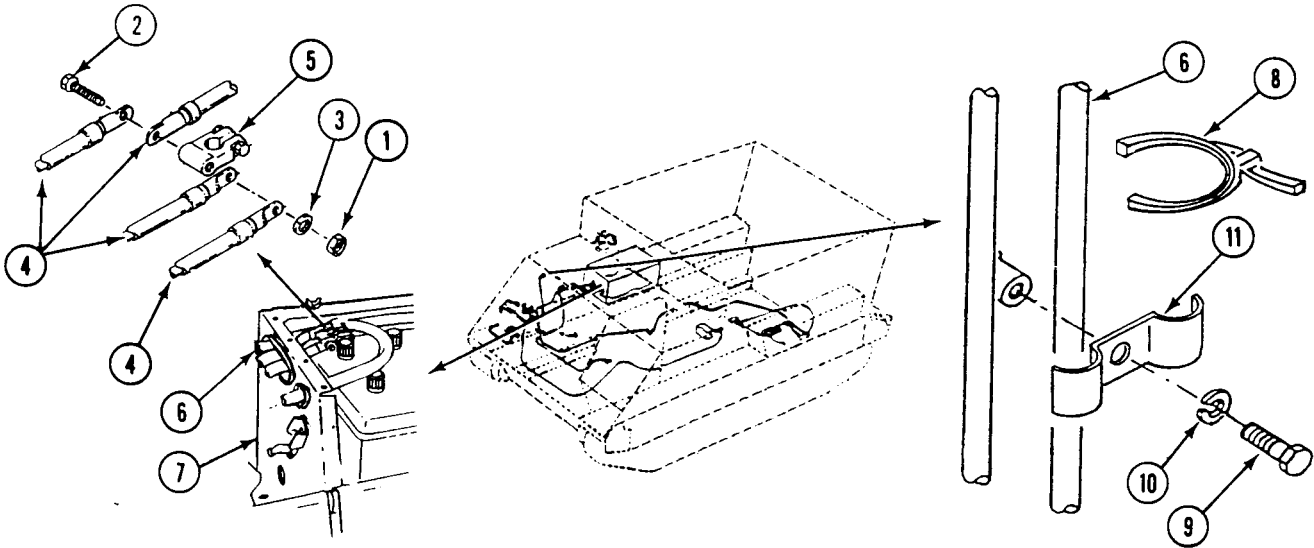
Electrical current can burn you. Disconnect battery ground lead before you start task.

1. Remove nut (1), screw (2), washer (3), and all leads (4) from terminal (5).

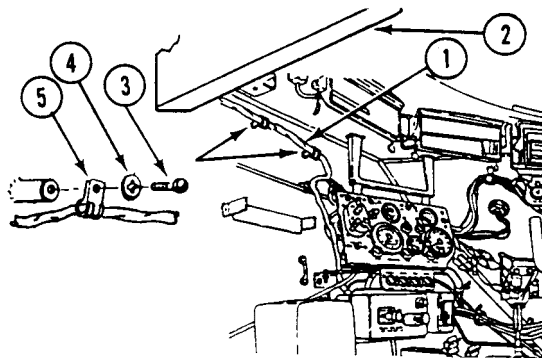
REPLACE BATTERY TO MASTER SWITCH LEAD (CIRCUIT 6) (M577A3 AND M1068A3 ONLY) — Continued

0357 00

2. Remove circuit 6 lead (6) from battery box (7).
3. Remove as many straps (8) as necessary to free circuit 6 lead (6) from other harnesses.
4. Remove three screws (9), lockwashers (10), and five clamps (11) from weldnuts. Discard lockwashers.
5. Remove three clamps (11) from circuit 6 lead (6).



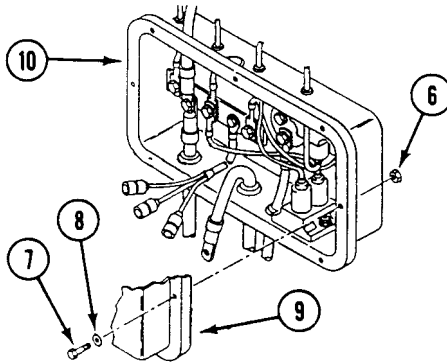
6. Tie cord to circuit 6 lead (1) with strong knot. Pull circuit 6 lead (1) through hull transverse beam (2) from opposite side of carrier. Untie cord from circuit 6 lead (1), leaving cord hanging from both ends of hull transverse beam (2).
7. Remove two screws (3), lockwashers (4), clamps (5), and circuit 6 lead (1) from weldnuts. Discard lockwashers.



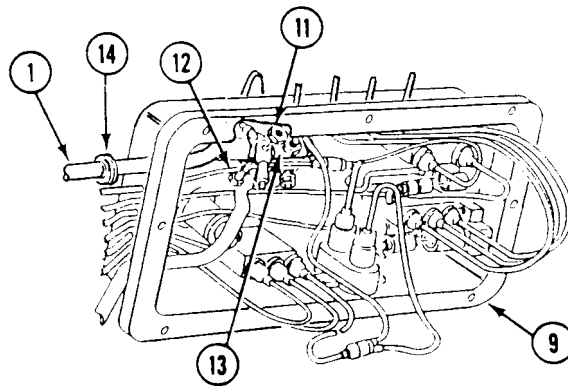
REPLACE BATTERY TO MASTER SWITCH LEAD (CIRCUIT 6) (M577A3 AND M1068A3 ONLY) — Continued

0357 00

8. Remove eight locknuts (6), screws (7), washers (8), and master switch panel (9) from distribution box (10). Discard locknuts.



9. Remove nut (11), screw (12), and circuit 6 lead (1) from conductor bus (13) in master switch panel (9).
10. Remove circuit 6 lead (1) and grommet (14) from master switch panel (9). Remove circuit 6 (1) lead from carrier.



REPLACE BATTERY TO MASTER SWITCH LEAD (CIRCUIT 6) (M577A3 AND M1068A3 ONLY) — Continued

0357 00

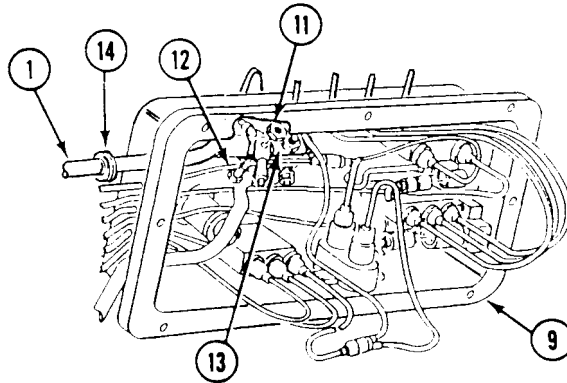
INSTALLATION

1. Install grommet (14) on circuit 6 lead (1). Install lead and grommet in master switch panel (9).

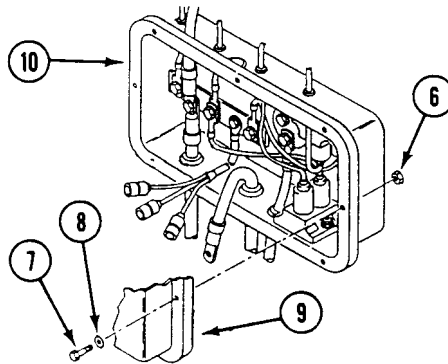
NOTE

Make sure circuit 6 lead, circuit 2 lead, and circuit 400 lead are installed before tightening nut.

2. Install circuit 6 lead (1) on conductor bus (13) in master switch panel (9). Secure with screw (12) and nut (11).

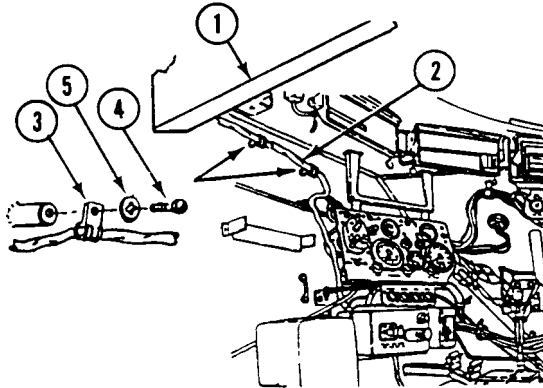


3. Install master switch panel (9) on distribution box (10). Secure with eight screws (7), washers (8), and new locknuts (6).

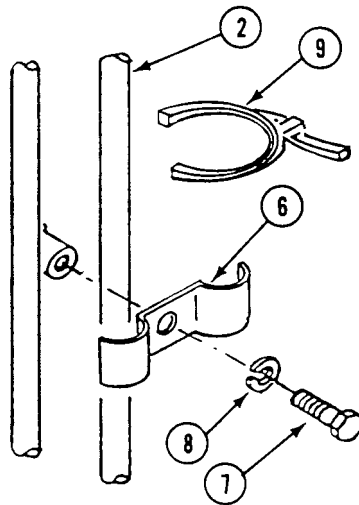


REPLACE BATTERY TO MASTER SWITCH LEAD (CIRCUIT 6) (M577A3 AND M1068A3 ONLY) — Continued**0357 00**

4. Tie cord hanging from hull transverse beam (1) to new or repaired circuit 6 lead (2) with strong knot. Pull cord from opposite side of carrier, pulling circuit 6 lead (2) through hull transverse beam (1). Untie cord from circuit 6 lead (2).
5. Install two clamps (3) on circuit 6 lead (2) and secure to hull weldnut with two screws (4) and new lockwashers (5).



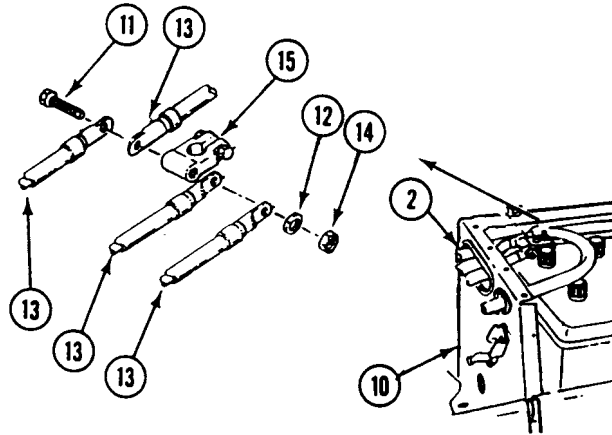
6. Install three clamps (6) on circuit 6 lead (2).
7. Install five clamps (6) on weldnuts with three screws (7) and new lockwashers (8).
8. Secure other harnesses to circuit 6 lead (2) with new straps (9).



REPLACE BATTERY TO MASTER SWITCH LEAD (CIRCUIT 6) (M577A3 AND M1068A3 ONLY) — Continued

0357 00

9. Install circuit 6 lead (2) in battery box (10).
10. Install screw (11), washer (12), all leads (13), and nut (14) on battery terminal (15).

**FOLLOW-THROUGH STEPS**

1. Connect battery ground lead (WP 0338 00).
2. Install battery access cover (see your -10).
3. Turn MASTER SWITCH ON to check that circuit 6 lead is installed right. MASTER SWITCH ON light should come on (see your -10).
4. Start engine (see your -10).
5. Raise and lock ramp (see your -10).
6. Stop engine (see your -10).

END OF TASK

REPLACE BATTERY TO MASTER SWITCH LEAD (CIRCUIT 6) (M1064A3 ONLY)

0358 00

THIS WORK PACKAGE COVERS:

Removal (page 0358 00-1).
 Installation (page 0358 00-5).

INITIAL SETUP:

Maintenance Level

Unit

References

See your -10

Tools and Special Tools

General Mechanic's Tool Kit (WP 0926 00, Item 65)

Equipment Condition

Engine stopped (see your -10)
 Carrier blocked (see your -10)
 Ramp lowered (see your -10)
 Battery ground strap disconnected (WP 0337 00)
 Battery drawer opened (see your -10)

Materials/Parts

Grommet
 Locknut (8)
 Lockwasher (2)

Personnel Required

Unit Mechanic

REMOVAL

WARNING



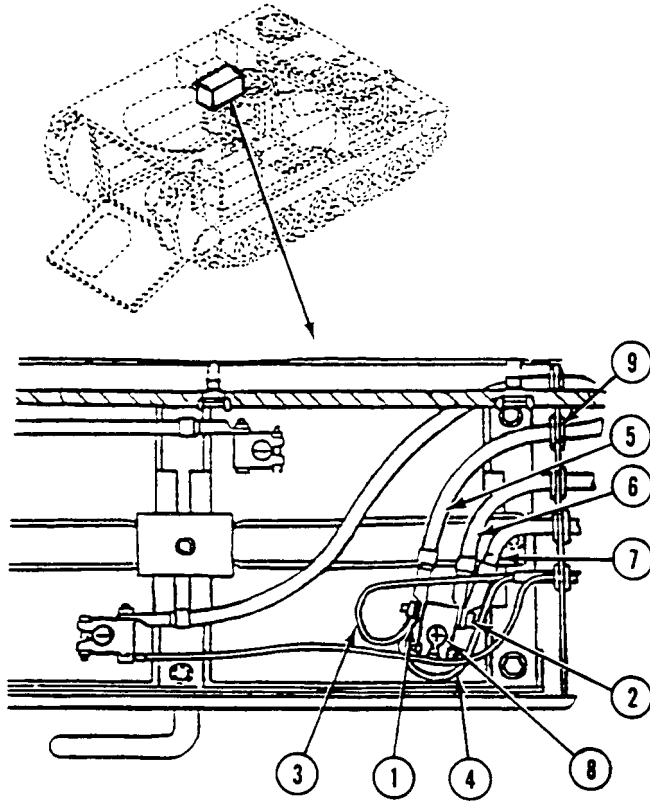
Gas from batteries can explode and injure you. Do not allow sparks near batteries. Battery acid can blind or burn you. Do not get acid on your skin or eyes.

1. Remove nut (1), screw (2), circuit 772 lead (3), circuit 778 lead (4), circuit 6 lead (5), circuit 48 lead (6), and circuit 6P lead (7) from terminal lug (8).

REPLACE BATTERY TO MASTER SWITCH LEAD (CIRCUIT 6) (M1064A3 ONLY) —
Continued

0358 00

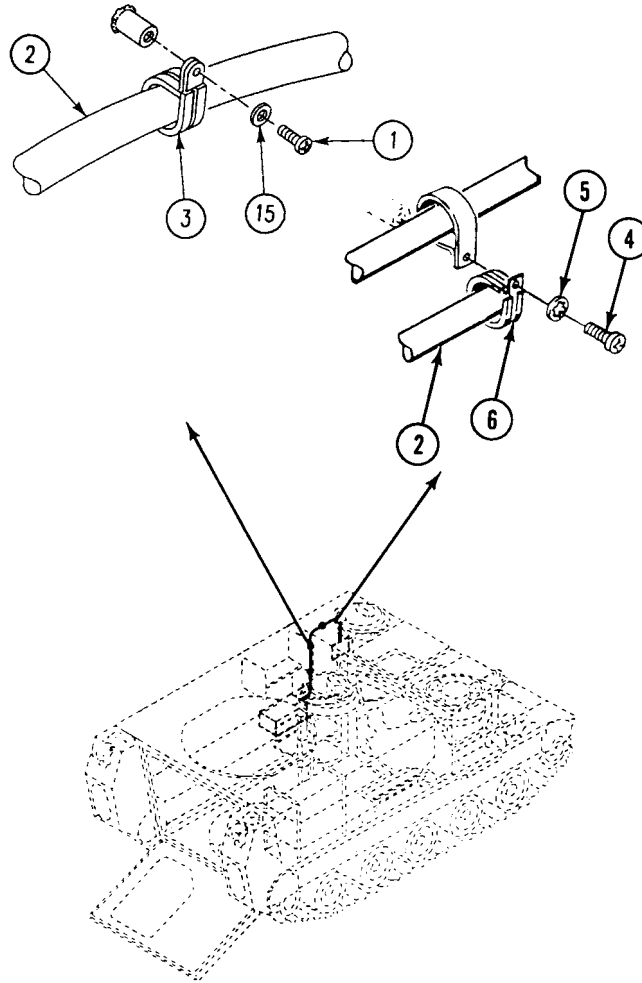
2. Remove circuit 6 lead (5) and grommet (9) from battery compartment. Discard grommet.



REPLACE BATTERY TO MASTER SWITCH LEAD (CIRCUIT 6) (M1064A3 ONLY) —
Continued

0358 00

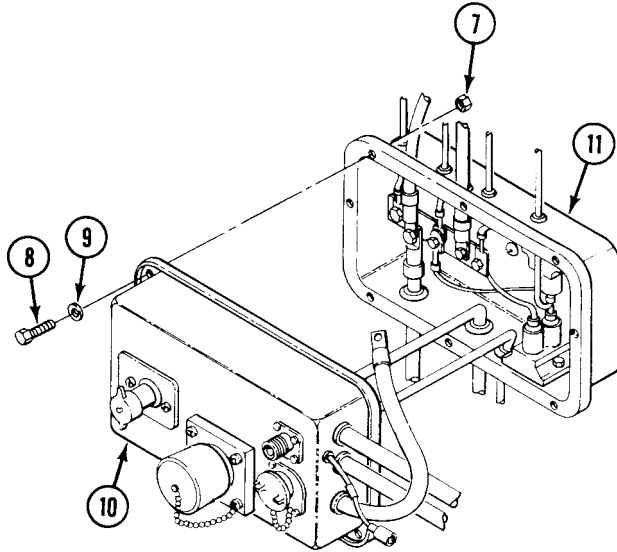
3. Remove screw (1), lockwasher (15), clamp (3) and circuit 6 lead (2) from weldnut. Discard lockwasher.
4. Remove two screws (4), lockwashers (5), and clamps (6) from two hull weldnuts. Remove circuit 6 lead (2) from clamps (6). Discard lockwashers.



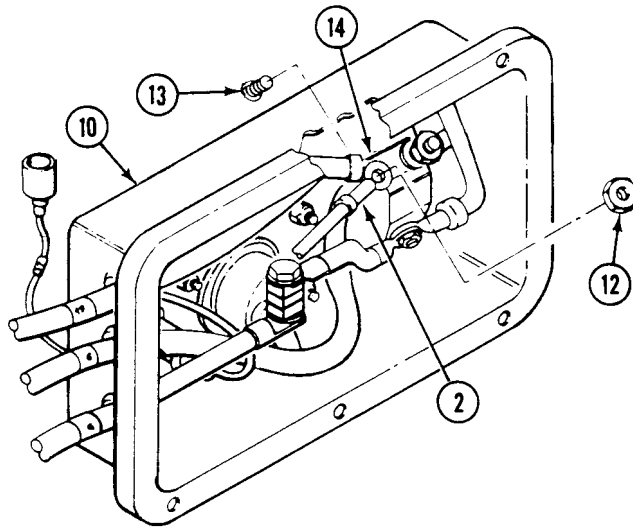
REPLACE BATTERY TO MASTER SWITCH LEAD (CIRCUIT 6) (M1064A3 ONLY) —
Continued

0358 00

- Remove eight locknuts (7), screws (8), washers (9), and master switch panel (10) from distribution box (11). Discard locknuts.



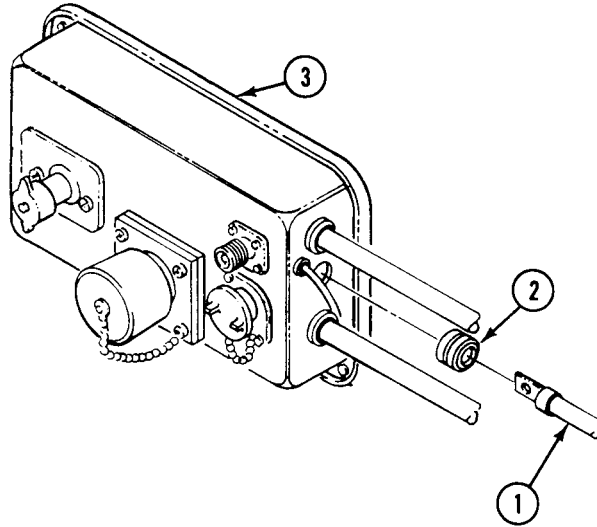
- Remove nut (12), screw (13), and circuit 6 lead (2) from conductor bus (14) in master switch panel (10).



**REPLACE BATTERY TO MASTER SWITCH LEAD (CIRCUIT 6) (M1064A3 ONLY) —
Continued**

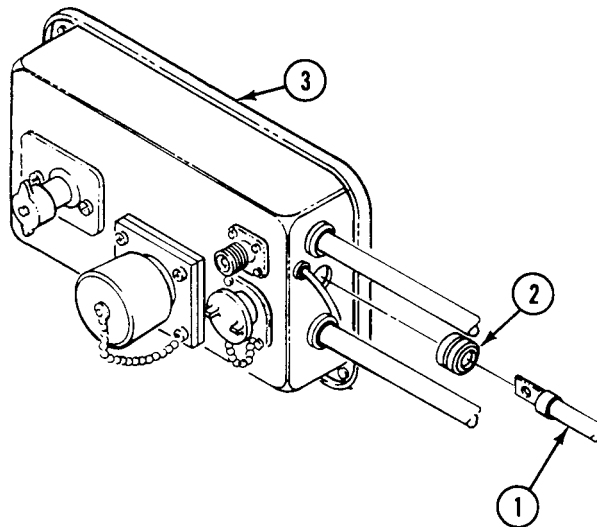
0358 00

7. Route circuit 6 lead (1) and grommet (2) out of master switch panel (3). Discard grommet. Remove lead from carrier.



INSTALLATION

1. Install new grommet (2) on circuit 6 lead (1). Install lead and grommet in master switch panel (3).



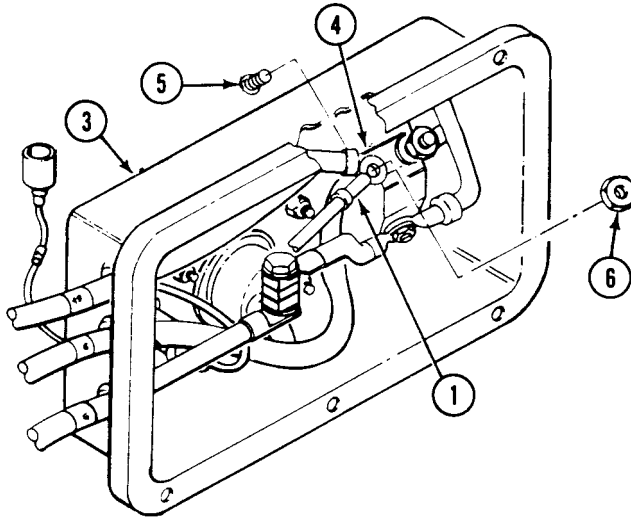
REPLACE BATTERY TO MASTER SWITCH LEAD (CIRCUIT 6) (M1064A3 ONLY) —
Continued

0358 00

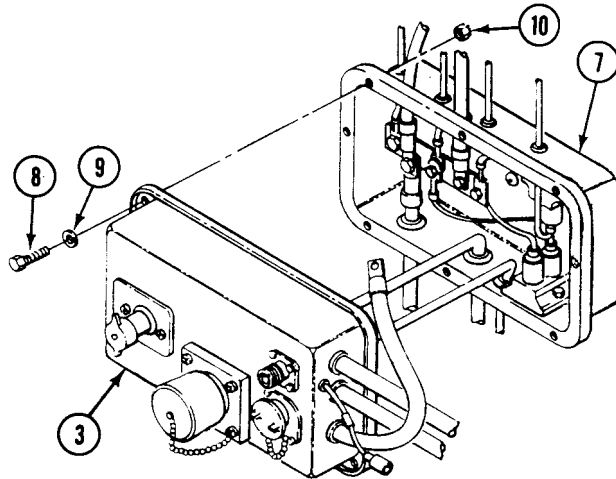
NOTE

Make sure circuit 6, circuit 2, and circuit 400 leads are installed before tightening nut.

2. Install circuit 6 lead (1) on conductor bus (4) in master switch panel (3). Secure with screw (5) and nut (6).



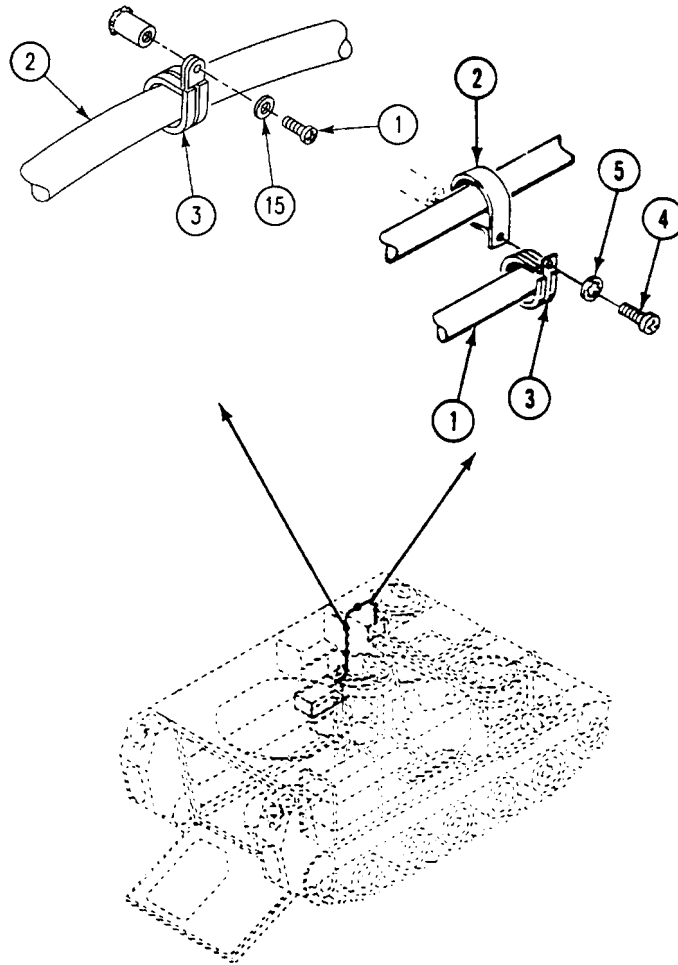
3. Install master switch panel (3) on distribution box (7). Secure with eight screws (8) washers (9), and new locknuts (10).



REPLACE BATTERY TO MASTER SWITCH LEAD (CIRCUIT 6) (M1064A3 ONLY) —
Continued

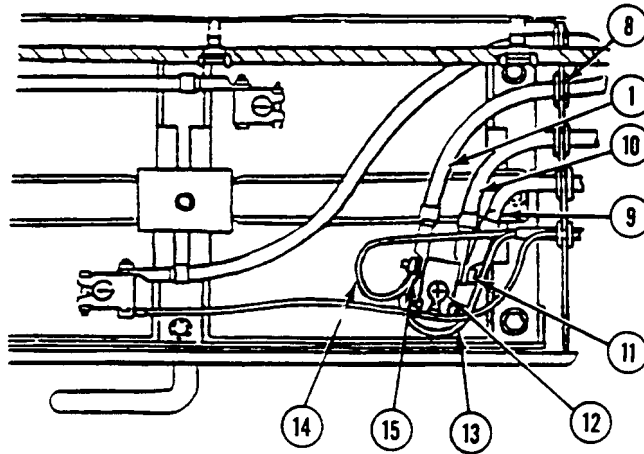
0358 00

4. Route circuit 6 lead (1) below two clamps (2) on upper left wall.
5. Install two clamps (3) on circuit 6 lead (1). Secure, along with clamps (2), to two hull weldnuts with two screws (4) and new lockwashers (5).
6. Install clamp (3) with circuit 6 lead (2) on weldnut with screw (1) and new lockwasher (15).



REPLACE BATTERY TO MASTER SWITCH LEAD (CIRCUIT 6) (M1064A3 ONLY) —**0358 00****Continued**

7. Install new grommet (8) on circuit 6 lead (1). Insert lead through hole in battery compartment and secure grommet in hole.
8. Install circuit 6P lead (9) followed by circuit 48 lead (10) on screw (11). Insert screw in terminal lug (12).
9. Install circuit 6 lead (1), circuit 778 lead (13) and circuit 772 lead (14) on terminal lug (12). Secure with nut (15).
10. Coat top of terminal lug (12) with grease.

**FOLLOW-THROUGH STEPS**

1. Close battery drawer (see your -10).
2. Connect battery ground strap (WP 0337 00).
3. Start engine (see your -10).
4. Raise and lock ramp (see your -10).
5. Stop engine (see your -10).

END OF TASK

REPLACE ENGINE WIRING HARNESS

0359 00

THIS WORK PACKAGE COVERS:

- Removal (page 0359 00-2).
- Cleaning, Inspection, and Repair (page 0359 00-8).
- Installation (page 0359 00-8).

INITIAL SETUP:

Maintenance Level

Unit

Personnel Required

Unit Mechanic

Tools and Special Tools

- General Mechanic's Tool Kit (WP 0926 00, Item 65)
- Electrical Tool Kit (WP 0926 00, Item 64)
- Multimeter (WP 0926 00, Item 30)

References

See your -10

Materials/Parts

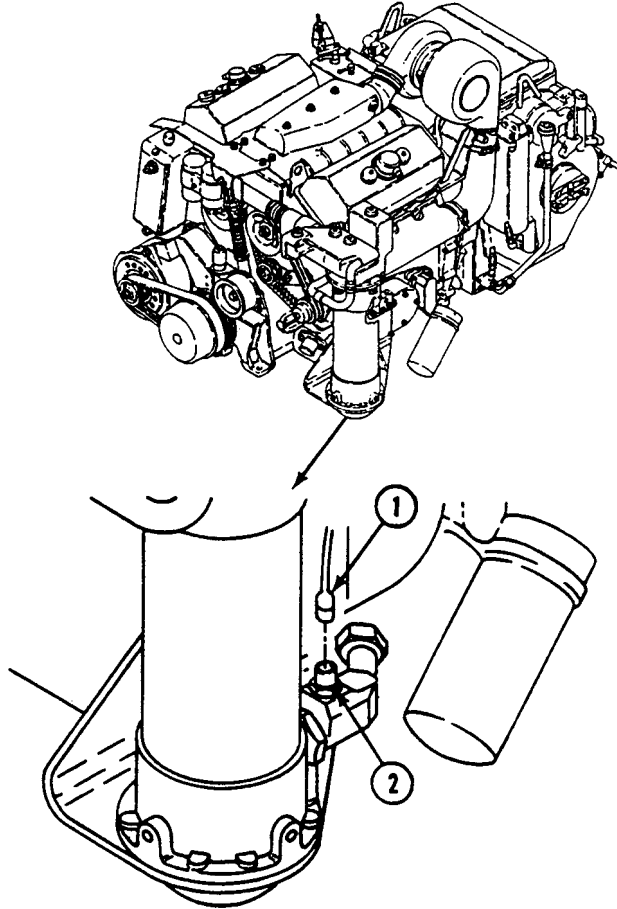
- Locknut (2)
- Lockwasher (3)
- Tie strap (3)
- Tie strap

Equipment Condition

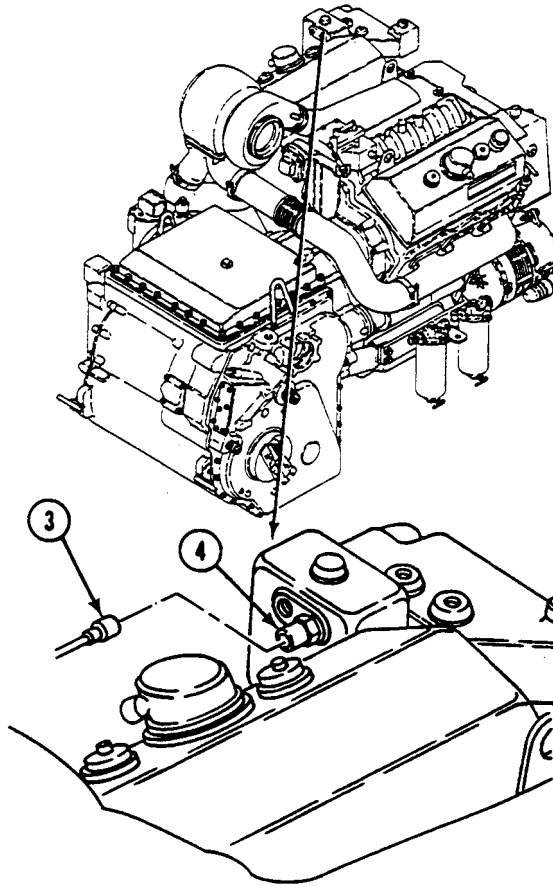
- Engine stopped (see your -10)
 - Carrier blocked (see your -10)
 - Power plant removed (WP 0156 00)
-

REMOVAL

1. Disconnect lead (1) from transmission high oil temperature switch (2).



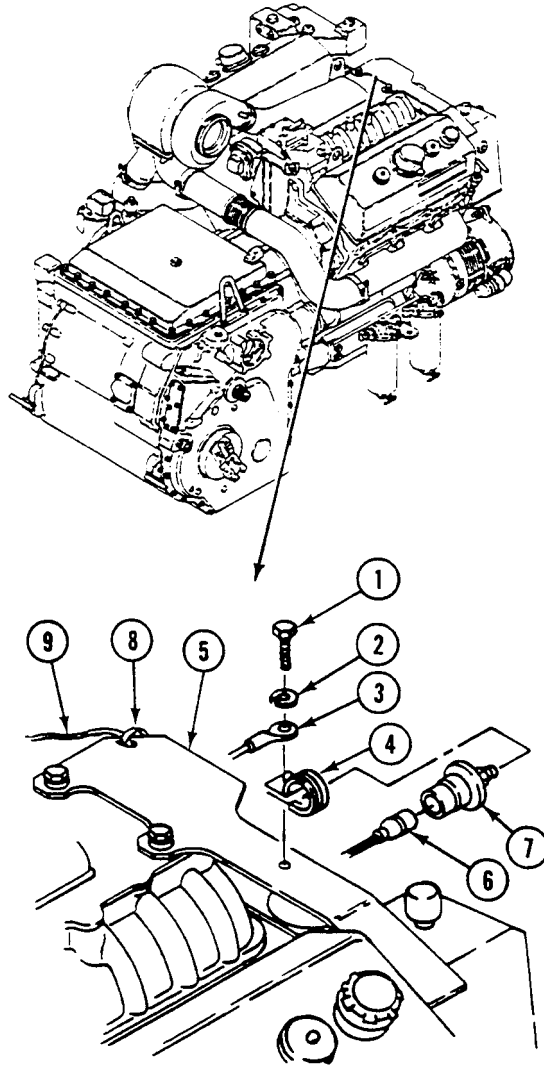
2. Disconnect lead (3) from coolant temperature sending unit (4).



REPLACE ENGINE WIRING HARNESS — Continued

0359 00

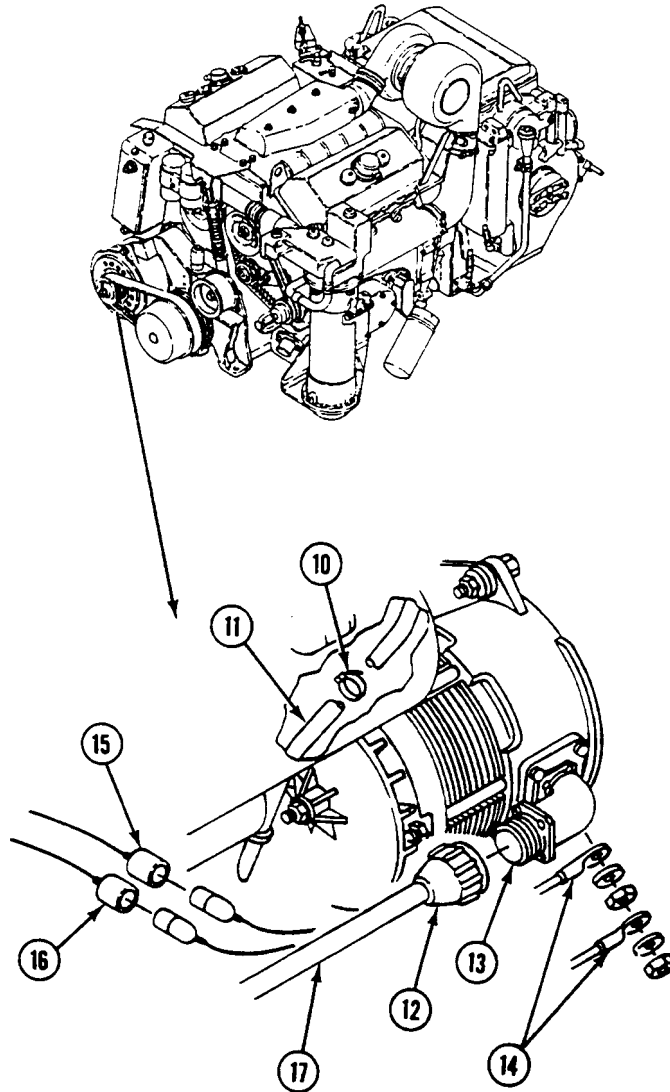
3. Remove screw (1), lockwasher (2), ground lead (3), and clamp (4) from bracket (5). Discard lockwasher.
4. Disconnect lead (6) from receptacle (7). Remove clamp (4) from lead.
5. Remove tie strap (8) from lead (9) and bracket (5). Discard tie strap.



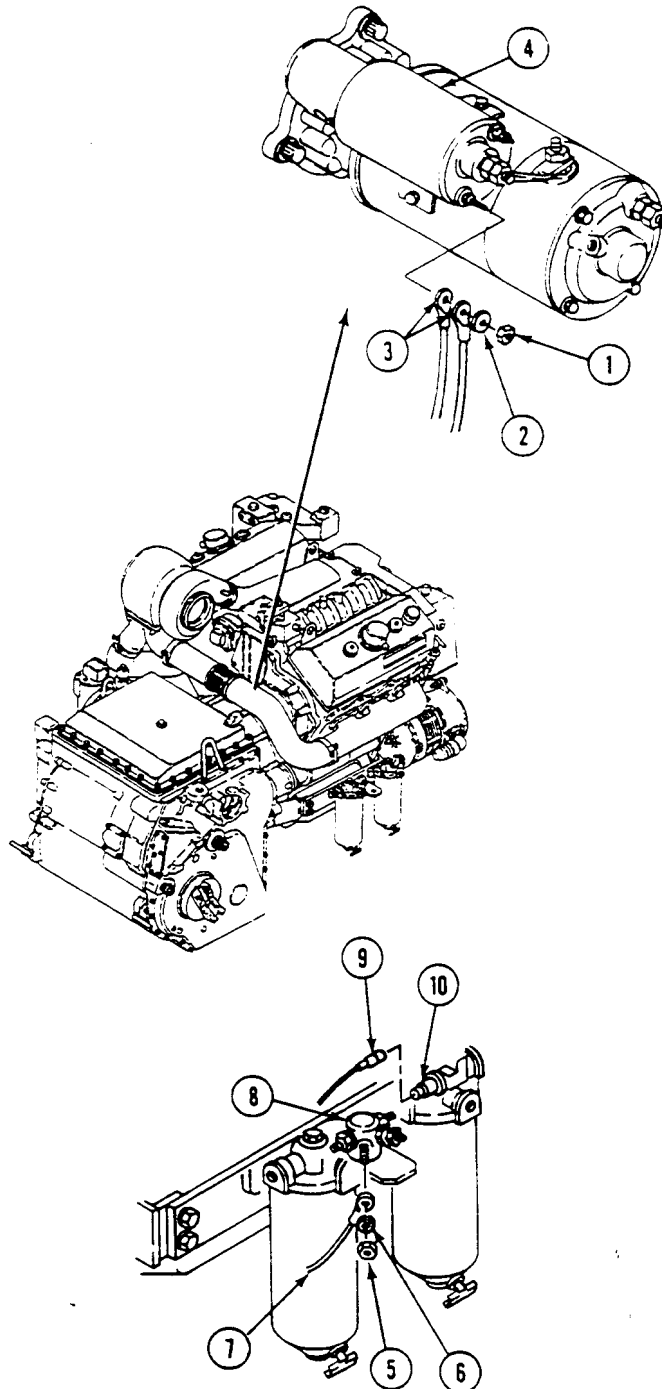
REPLACE ENGINE WIRING HARNESS — Continued

0359 00

6. Remove tie strap (10) from lead (11). Discard strap.
7. Disconnect cannon plug (12) from generator (13). If STE/ICE system is installed, disconnect two ground leads (14).
8. Disconnect two STE/ICE leads (15), (16) from generator main cable (17).



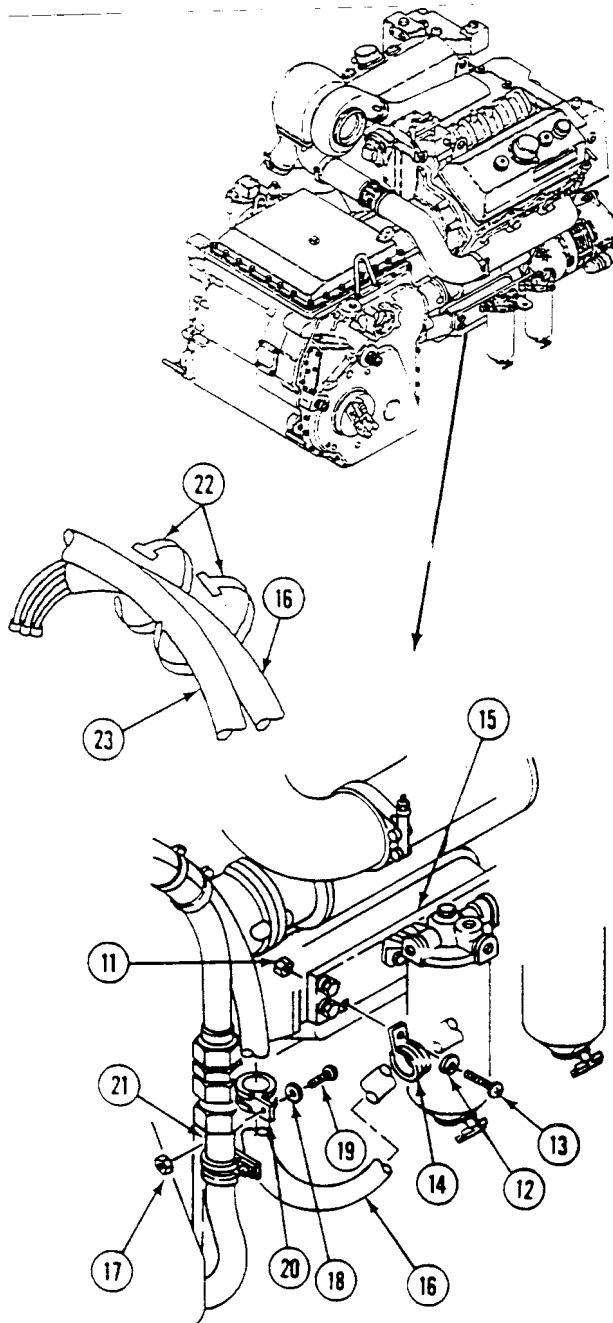
9. Remove nut (1), lockwasher (2), and two leads (3) from starter solenoid (4). Discard lockwasher.
10. Remove nut (5), lockwasher (6), and lead (7) from starter relay (8). Discard lockwasher.
11. Disconnect lead (9) from pressure switch (10).



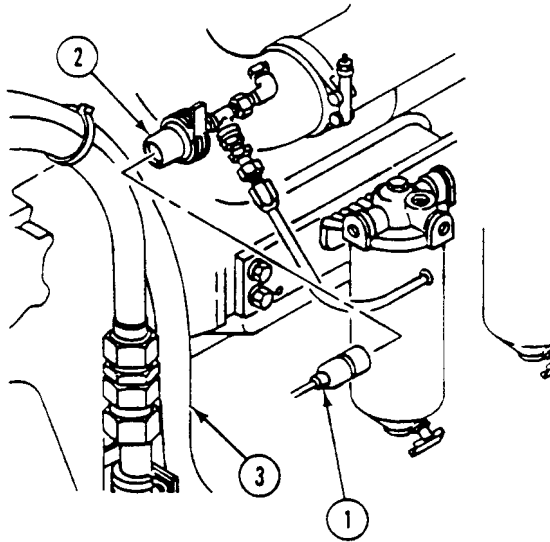
REPLACE ENGINE WIRING HARNESS — Continued

0359 00

12. Remove locknut (11), washer (12), screw (13), and clamp (14) from filter bracket (15). Remove clamp from harness (16). Discard locknut.
13. Remove locknut (17), washer (18), screw (19), and clamp (20) from bracket (21). Remove clamp from harness (16). Discard locknut.
14. Remove two straps (22) securing harness (16) to transmission oil line (23). Discard straps.



15. Disconnect lead (1) from oil pressure transmitter (2), and remove harness (3) from power plant.



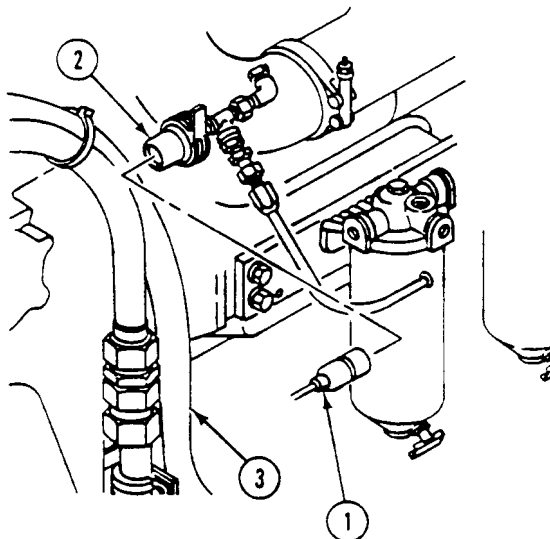
CLEANING

CLEANING, INSPECTION, AND REPAIR

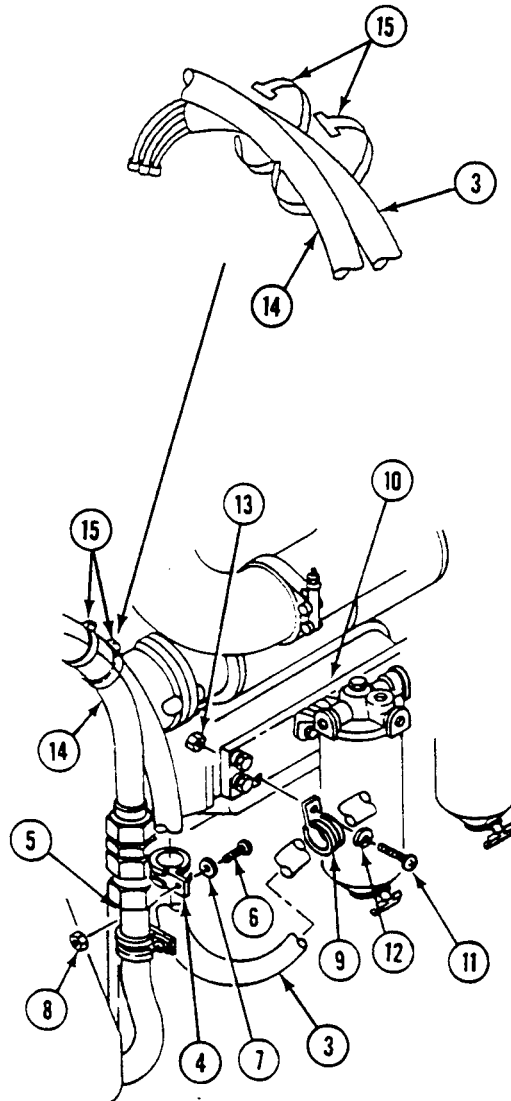
1. Check harness for continuity.
2. Check leads. Replace frayed, cracked, or broken leads (WP 0382 00).
3. Check connectors.

INSTALLATION

1. Connect lead (1) to oil pressure transmitter (2).

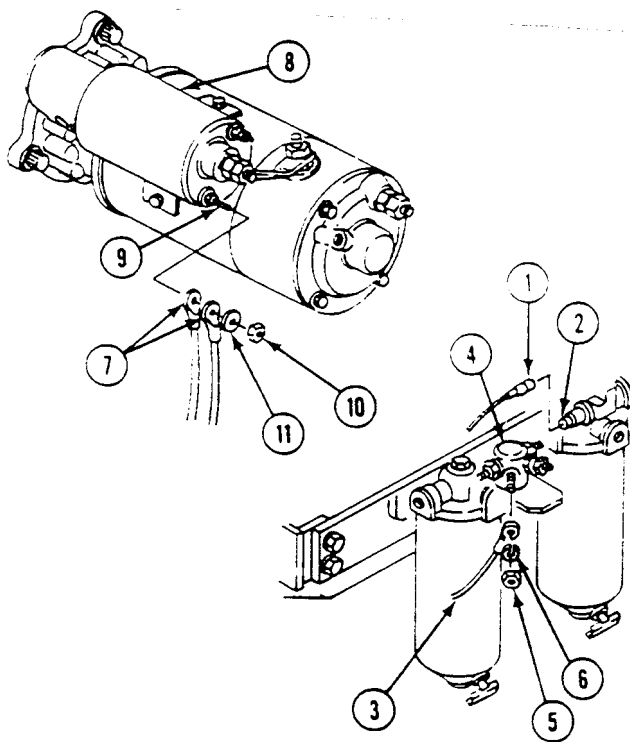


2. Install clamp (4) on harness (3). Secure clamp to bracket (5) with screw (6), washer (7), and new locknut (8).
3. Install clamp (9) on harness (3). Secure clamp to filter bracket (10) with screw (11), washer (12), and new locknut (13).
4. Secure harness (3) to transmission oil line (14) with two new straps (15).



REPLACE ENGINE WIRING HARNESS — Continued**0359 00**

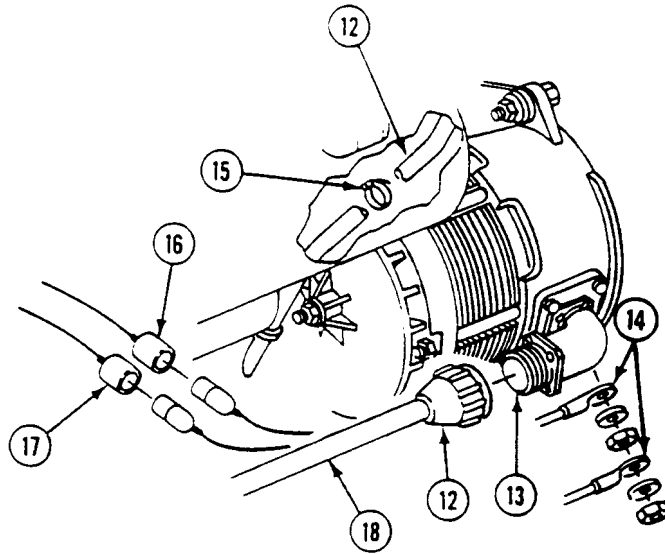
5. Connect lead (1) to pressure switch (2).
6. Install lead (3) on starter relay (4) terminal. Secure with nut (5) and new lockwasher (6).
7. Install two leads (7) on starter solenoid (8) terminal (9). Secure with nut (10) and new lockwasher (11).



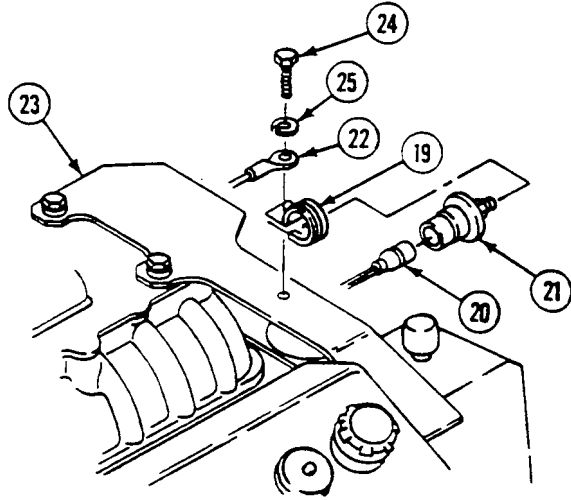
REPLACE ENGINE WIRING HARNESS — Continued

0359 00

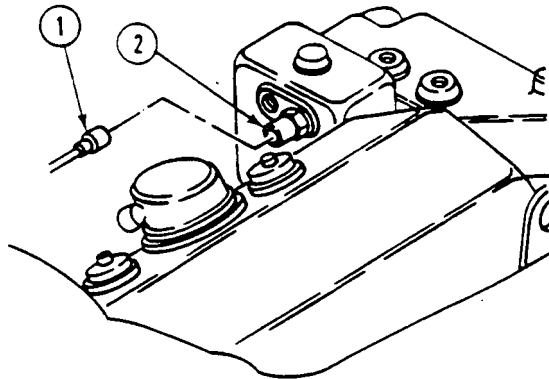
8. Connect lead (12) to generator (13). If STE/ICE system was installed, reconnect two ground leads (14).
9. Install new tie strap (15) on lead (12).
10. Connect two STE/ICE leads (16), (17) to generator main cable (18).



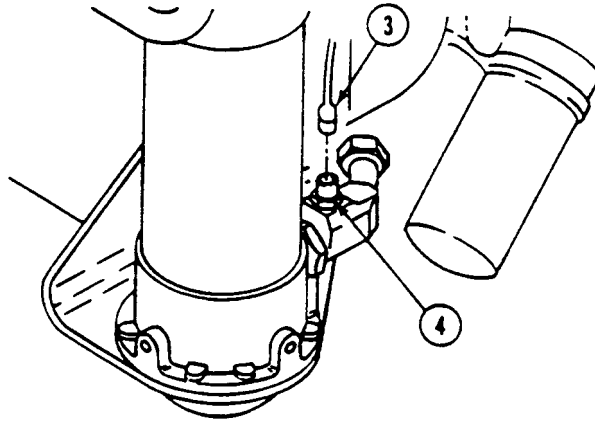
11. Install clamp (19) on lead (20). Connect lead to receptacle (21).
12. Install ground lead (22) and clamp (19) on bracket (23). Secure with screw (24) and new lockwasher (25).



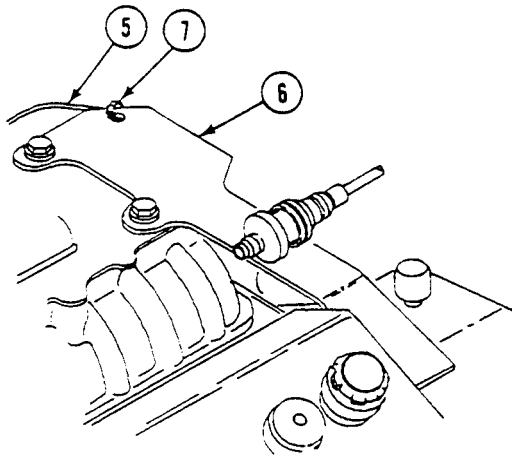
13. Connect lead (1) to coolant temperature sending unit (2).



14. Connect lead (3) on transmission high oil temperature switch (4).



15. Install lead (5) on bracket (6), and secure with new tie strap (7).



FOLLOW-THROUGH STEPS

1. Install power plant (WP 0156 00).

END OF TASK

REPLACE VARIABLE SPEED FAN DRIVE WIRING HARNESS, 3W1 (NEW CONFIGURATION)

0359 01

THIS WORK PACKAGE COVERS:

Removal (WP 0359 01-1).

Installation (WP 0359 01-2).

INITIAL SETUP:

Maintenance Level

Unit

Tools and Special Tools

General Mechanic's Tool Kit (WP 0926, Item 65)

Materials/Parts

Tie straps

Personnel Required

Unit Mechanic

References

See your -10

Equipment Conditions

Engine stopped (see your -10)

Carrier blocked (see your -10)

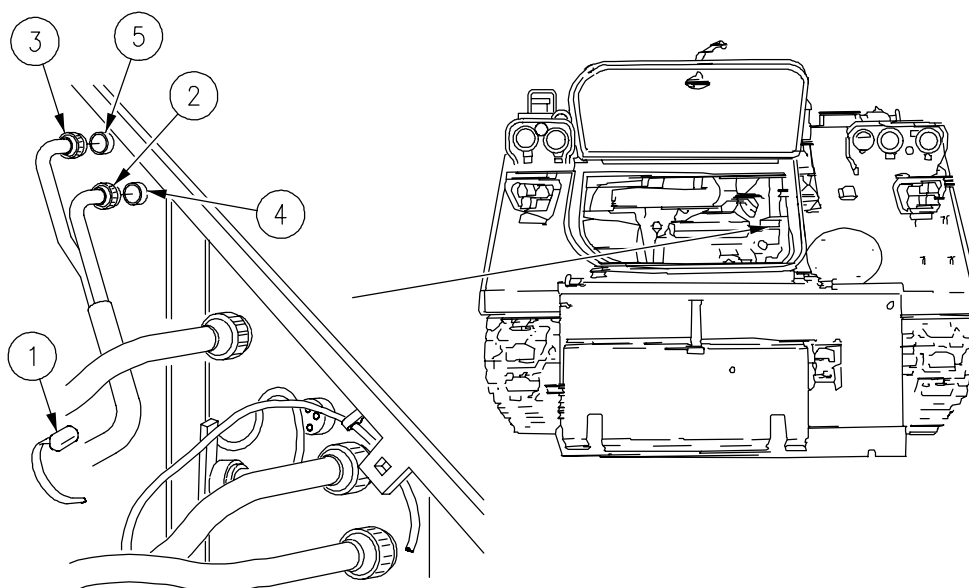
Power plant rear access panels removed (see your -10)

Driver's power plant access panel removed (see your -10)

Battery ground strap disconnected (WP 0337 00 or WP 0338 00)

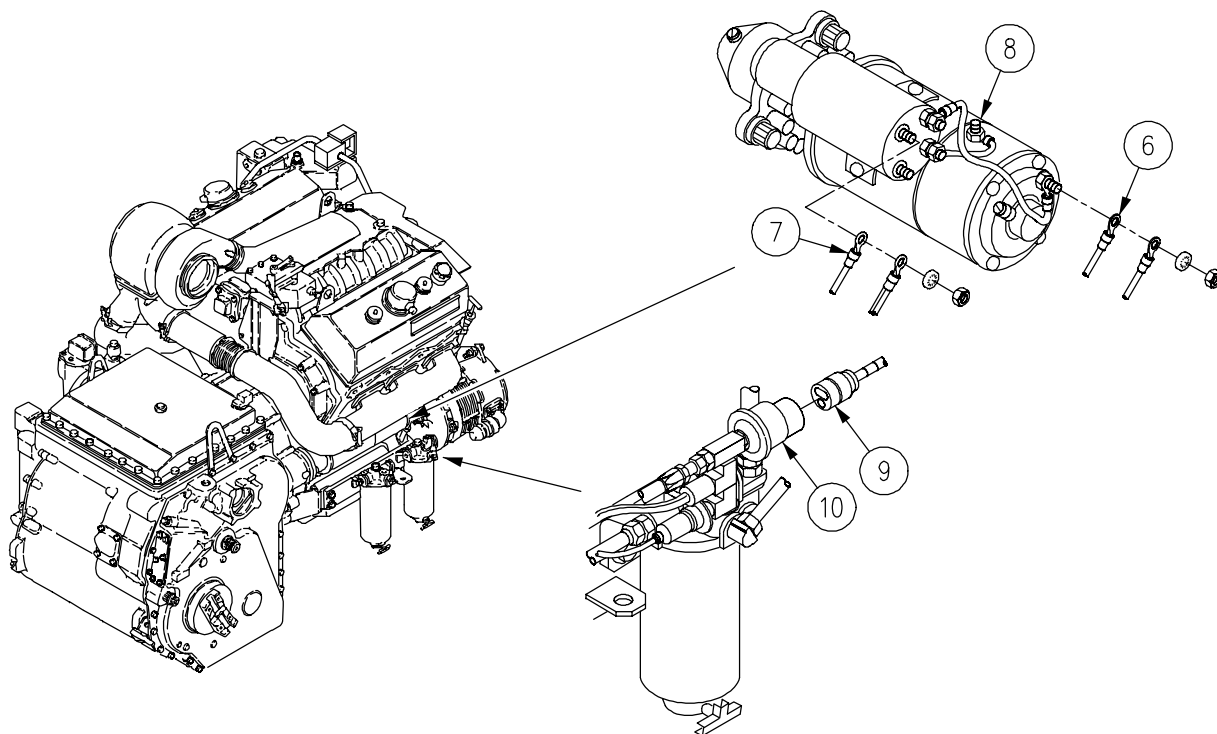
REMOVAL

1. Disconnect tie straps (1) as needed to remove wiring harness from engine.
2. Disconnect plug P1 (2) and plug P2 (3) from variable speed fan controller jacks J1 (4) and J2 (5).

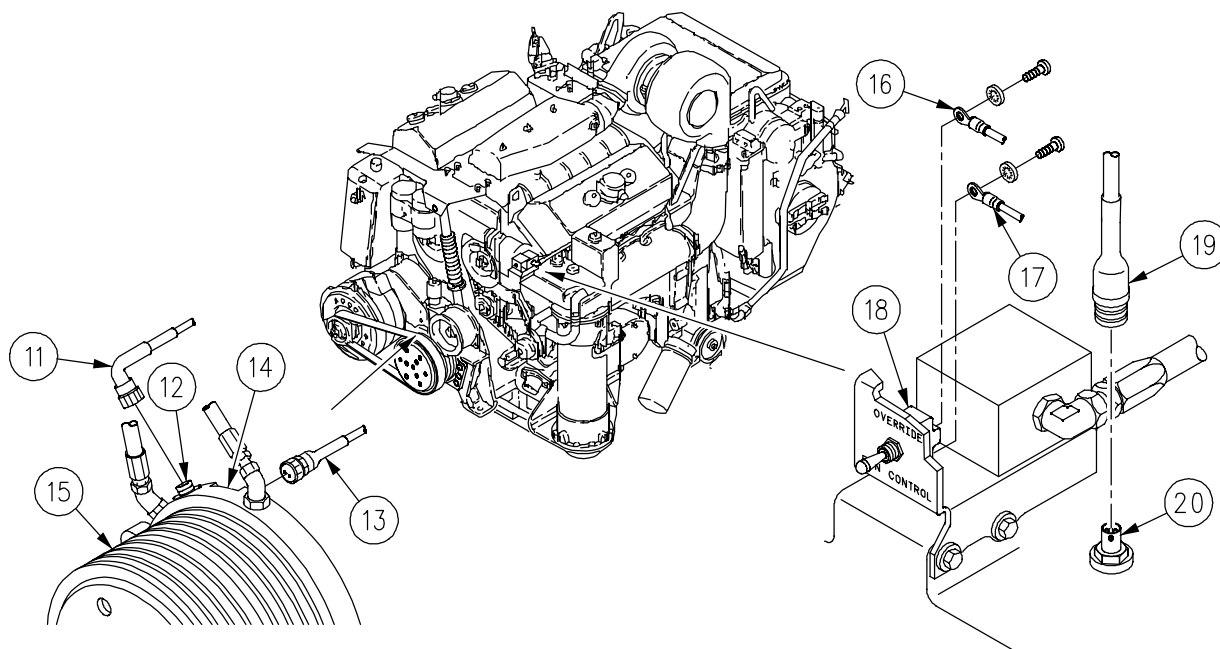


- Continued

3. Disconnect lead E1 (6) and lead E2 (7) from starter (8).
4. Disconnect plug P3 (9) from engine running switch S2 (10).

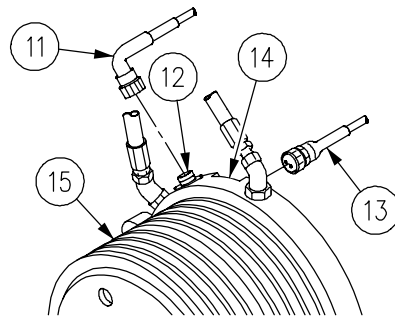
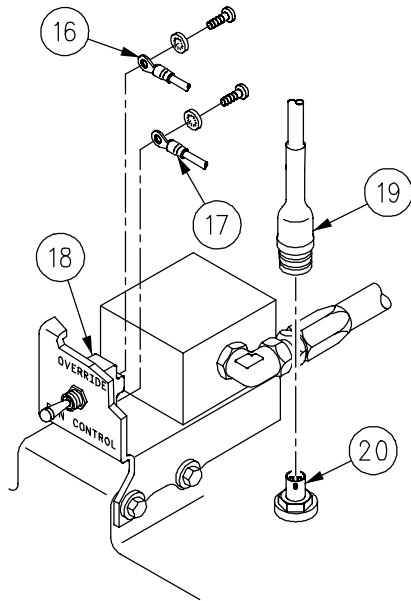


5. Disconnect plug P4 (11) from fan clutch 3A1 (12) and plug P5 (13) from fan speed sensor 3A2 (14) on variable speed fan drive (15).
6. Disconnect lead E3 (16) and lead E4 (17) from fan override switch (18).
7. Disconnect plug P6 (19) from engine coolant sensor 3A3 (20).

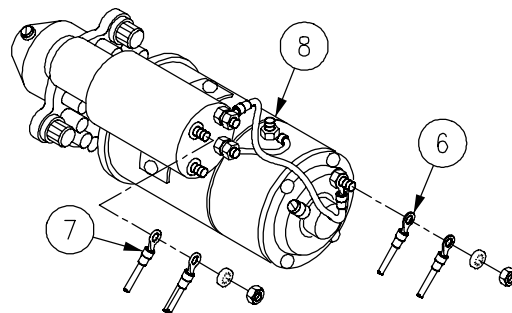
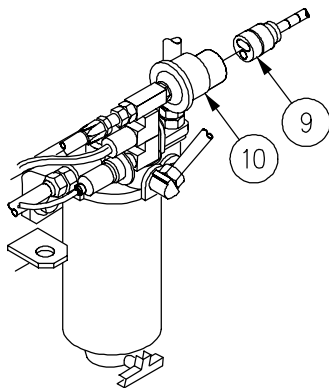


INSTALLATION

1. Connect plug P6 (19) on engine coolant sensor 3A3 (20).
2. Connect lead E3 (16) and lead E4 (17) on fan override switch (18).
3. Connect plug P4 (11) on fan clutch 3A1 (12) and plug P5 (13) on fan speed sensor 3A2 (14) on variable speed fan drive (15).



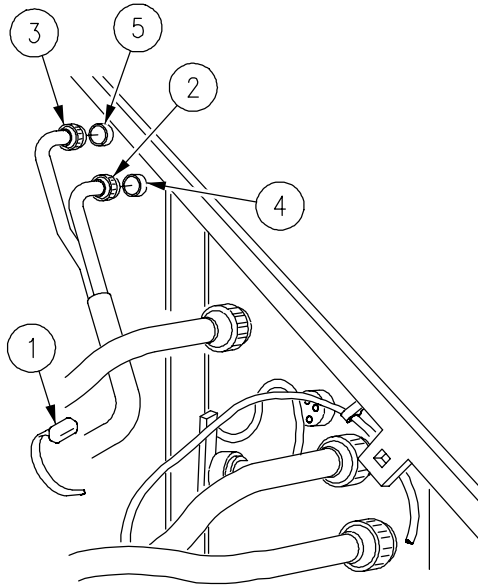
4. Connect plug P3 (9) on engine running switch S2 (10)
5. Connect lead E1 (6) and lead E2 (7) on starter (8).



REPLACE VARIABLE SPEED FAN DRIVE WIRING HARNESS, 3W1 (NEW CONFIGURATION)
- Continued

0359 01

6. Connect plug P1 (2) and plug P2 (3) on variable speed fan controller jacks J1 (4) and J2 (5).
7. Install new tie straps (1) as required to secure wiring harness to engine.

**FOLLOW-THROUGH STEPS**

1. Connect battery ground strap (WP 0337 00 or WP 0338 00).
2. Install driver's power plant access panel (see your-10).
3. Install power plant rear access panels (see your-10).

END OF TASK

REPLACE TRANSMISSION WIRING HARNESS

0360 00

THIS WORK PACKAGE COVERS:

- Removal (page 0360 00-1).
- Inspect and Repair (page 0360 00-2).
- Installation (page 0360 00-2).

INITIAL SETUP:

Maintenance Level

Unit

References

TM 9-2350-277-10

Tools and Special Tools

- General Mechanic's Tool Kit (WP 0926 00, Item 65)
- Multimeter (WP 0926 00, Item 30)

Equipment Condition

- Engine stopped (TM 9-2350-277-10)
- Carrier blocked (TM 9-2350-277-10)
- Power plant access door open (TM 9-2350-277-10)

Materials/Parts

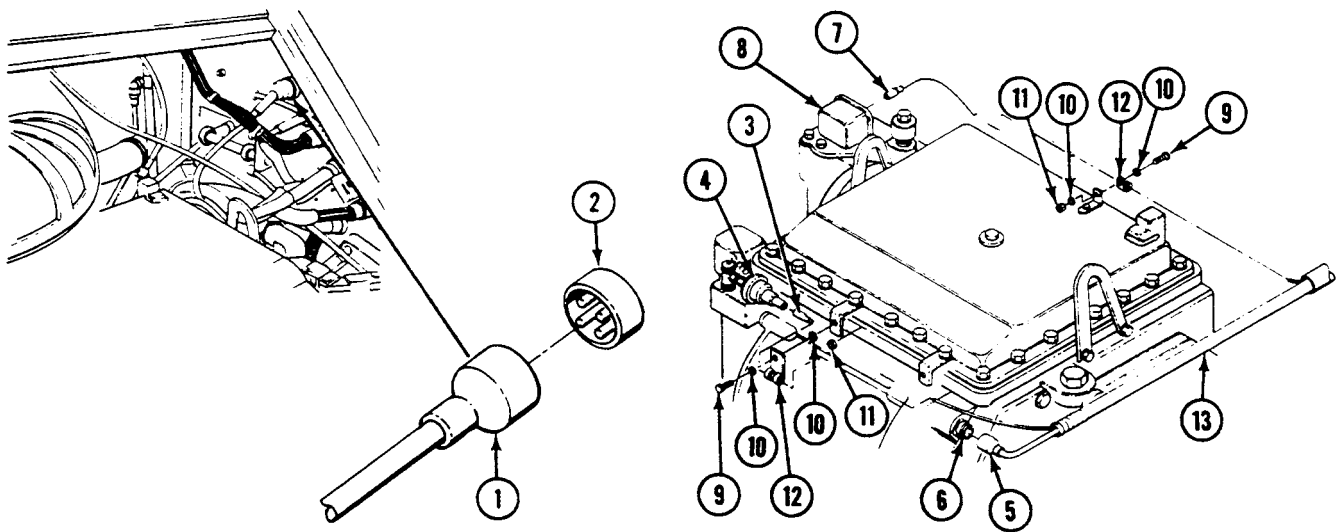
Locknut (4)

Personnel Required

Mechanic

REMOVAL

1. Disconnect transmission wiring harness connector (1) from bulkhead connector (2).
2. Disconnect circuit 366 lead (3) from transmission low oil level pressure switch (4).
3. Disconnect wiring harness connector (5) from transmission connector (6).
4. Disconnect circuit 323 connector (7) from differential pressure switch (8).
5. Remove four screws (9), eight washers (10), four locknuts (11), and four clamps (12) from brackets and wiring harness (13). Discard locknuts.
6. Remove wiring harness (13) from transmission.

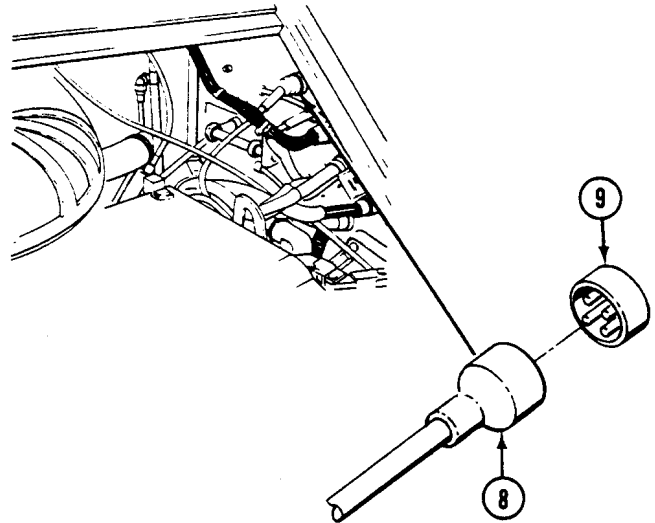
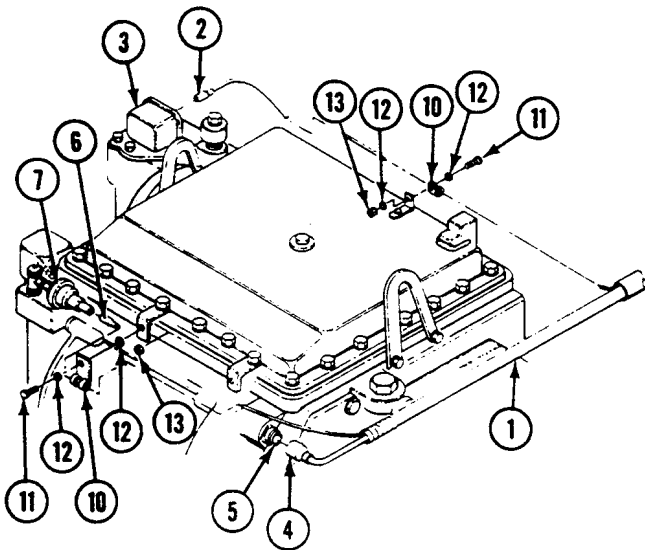


REPLACE TRANSMISSION WIRING HARNESS — Continued**0360 00****INSPECT AND REPAIR**

1. Check leads for continuity. Replace bad leads.
2. Check connectors and terminals. Repair bad connectors or terminals (WP 0382 00).

INSTALLATION

1. Place new wiring harness (1) on transmission.
2. Connect circuit 323 connector (2) to differential pressure switch (3).
3. Connect wiring harness connector (4) to transmission connector (5).
4. Connect circuit 366 lead (6) to transmission low oil pressure switch (7).
5. Connect transmission wiring harness connector (8) to bulkhead connector (9).
6. Install wiring harness (1) in four clamps (10), and secure to brackets with four screws (11), eight washers (12), and four new locknuts (13).

**FOLLOW-THROUGH STEPS**

1. Close power plant access door. See TM 9-2350-277-10.

END OF TASK

REPLACE TRANSMISSION CONTROLLER WIRING HARNESS

0361 00

THIS WORK PACKAGE COVERS:

- Removal (page 0361 00-1).
- Inspect and Repair (page 0361 00-4).
- Installation (page 0361 00-5).

INITIAL SETUP:

Maintenance Level

Unit

Personnel Required

Mechanic

Helper (H)

Tools and Special Tools

- General Mechanic's Tool Kit (WP 0926 00, Item 65)
- Multimeter (WP 0926 00, Item 30)

References

TM 9-2350-277-10

Materials/Parts

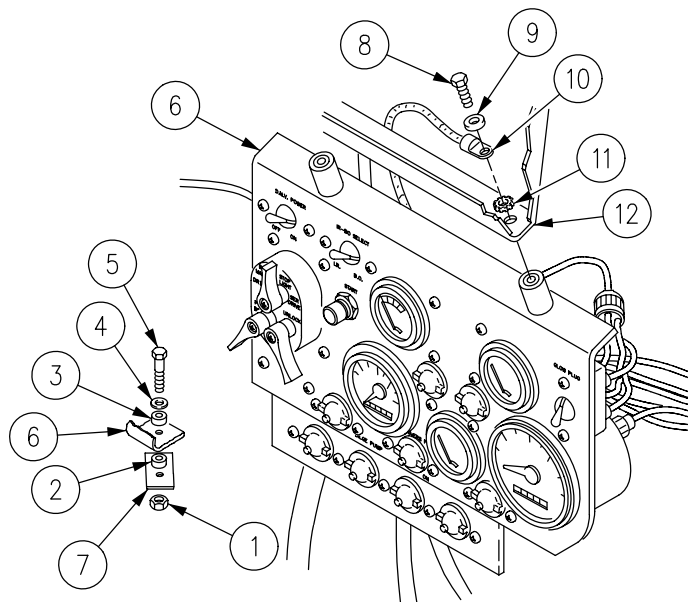
- Locknut (2)
- Locknut
- Locknut (4)
- Lockwasher
- Lockwasher (3)

Equipment Condition

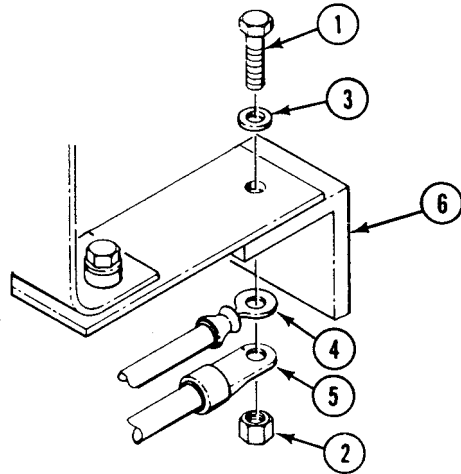
- Engine stopped (TM 9-2350-277-10)
- Carrier blocked (TM 9-2350-277-10)
- Power plant access door open (TM 9-2350-277-10)
- Driver's power plant access panel removed (WP 0441 00)
- Battery ground strap disconnected (WP 0337 00 or WP 0338 00)

REMOVAL

1. Remove two locknuts (1), mounts (2) and (3), washers (4), and screws (5) that secure instrument panel (6) to two struts (7). Discard locknuts.
2. Support instrument panel. Remove two screws (8), washers (9), ground lead (10), and lockwasher (11) from instrument panel (6) and upper support (12). Discard lockwasher.



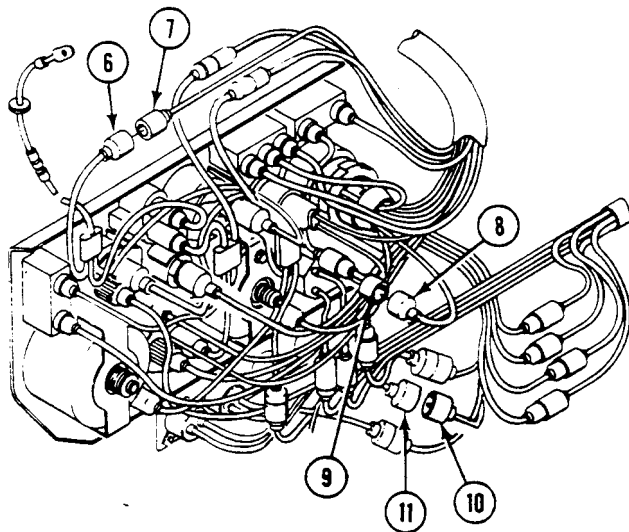
3. Remove screw (1), locknut (2), washer (3), and two ground leads (4) and (5) from strut (6). Discard locknut.



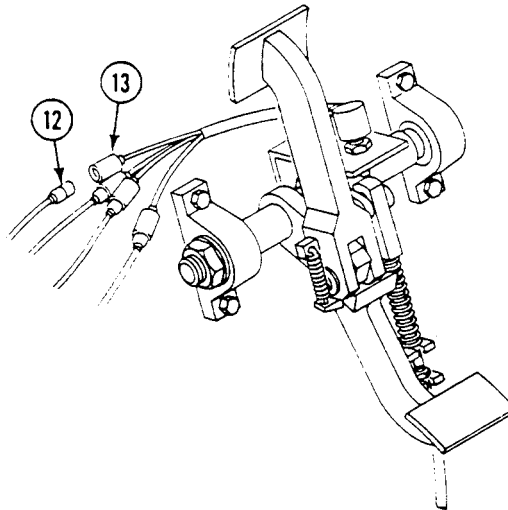
NOTE

Support instrument panel on two struts to gain access to rear of panel.

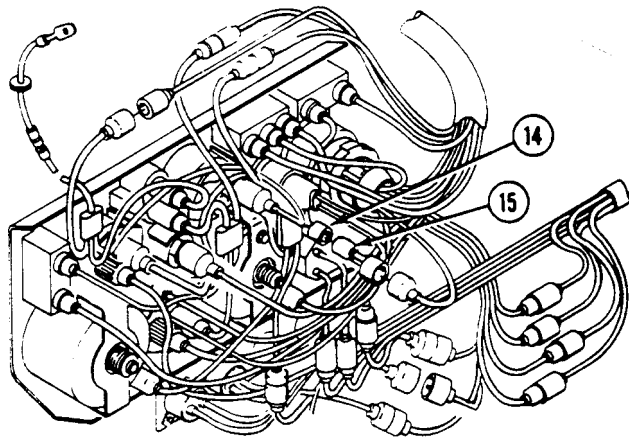
4. Disconnect circuit 40 lead (6) from instrument panel wiring harness lead (7).
5. Disconnect circuit 27P lead (8) from instrument panel wiring harness lead (9).
6. Disconnect circuit 323 lead (10) from transmission filter clogged indicator (11) on instrument panel.



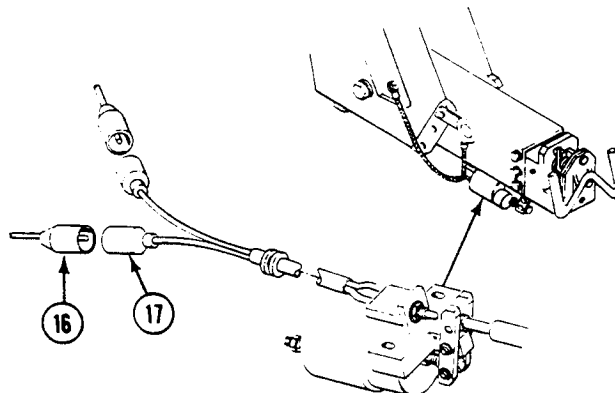
7. Disconnect circuit 366 lead (12) from front main wiring harness circuit 366 lead (13).



8. Disconnect circuit 14B lead (14) from front main wiring harness circuit 14 lead (15).



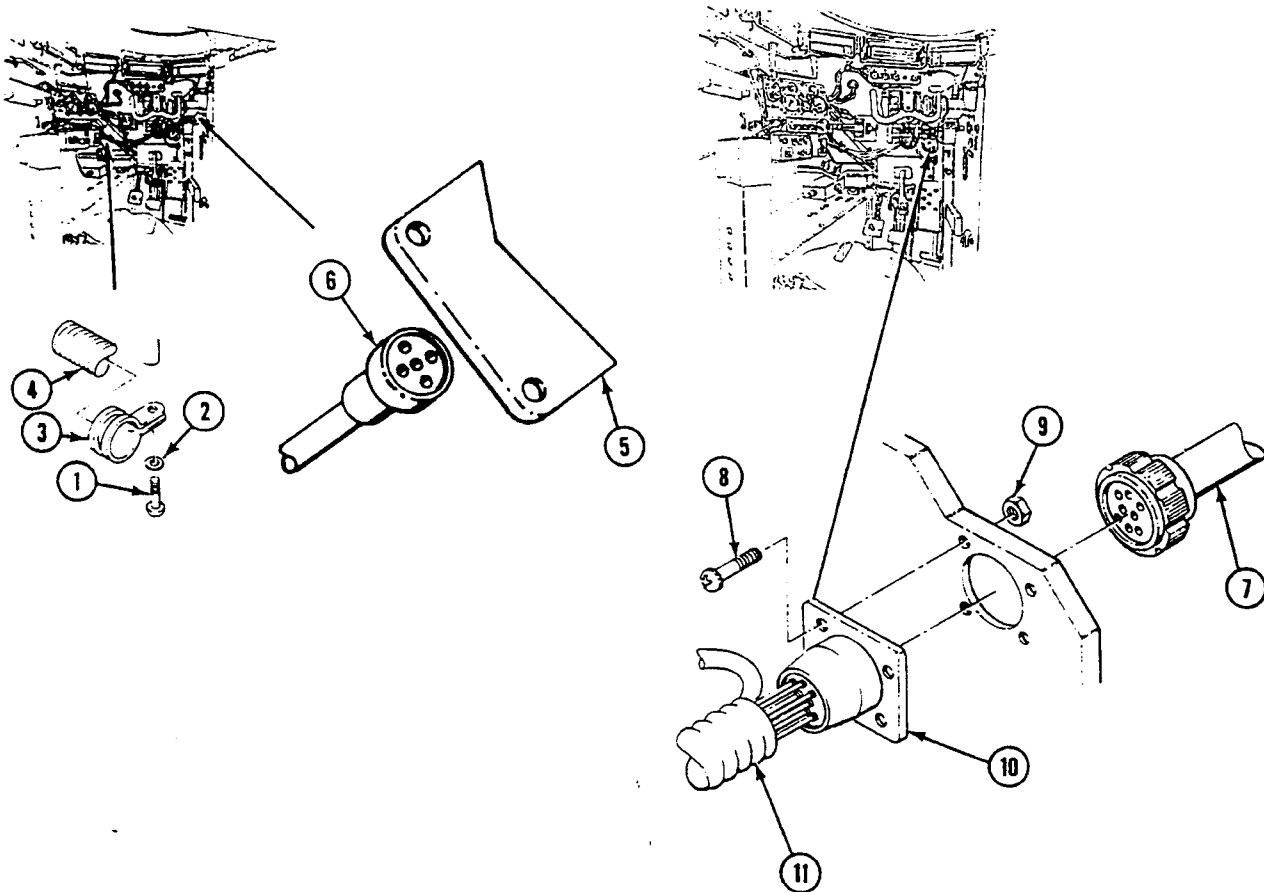
9. Disconnect circuit 368 lead (16) from steering lock switch wiring harness lead (17).



REPLACE TRANSMISSION CONTROLLER WIRING HARNESS — Continued

0361 00

10. Remove three screws (1), lockwashers (2), clamps (3), and wiring harness (4) from driver's front hull. Discard lockwashers.
11. Disconnect wiring harness connector (6) from transmission control (5).
12. Disconnect transmission wiring harness (7) from bulkhead connector located inside power plant compartment.
13. Remove four screws (8), locknuts (9), and connector (10) from driver's compartment bulkhead. Have helper assist. Discard locknuts.
14. Remove transmission controller wiring harness (11).

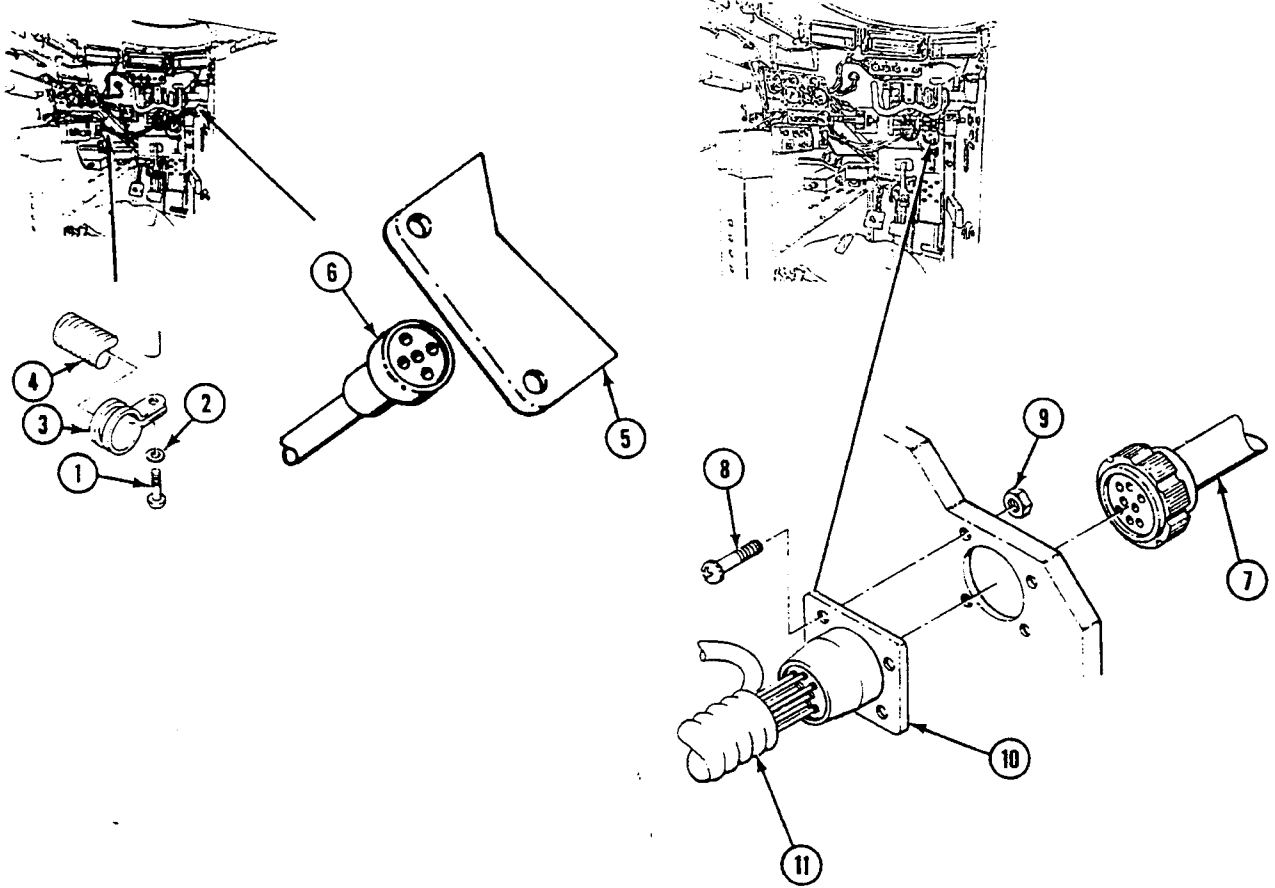


INSPECT AND REPAIR

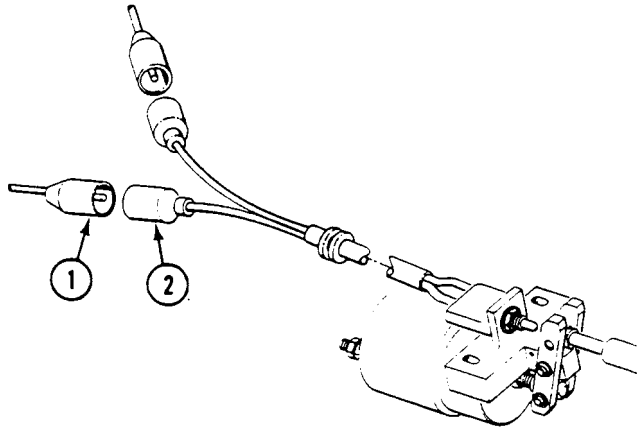
1. Check harness continuity. Replace bad harness.
2. Check leads. Replace frayed, cracked, or broken leads (WP 0382 00).
3. Check connectors. Replace cracked or broken connectors (WP 0382 00).

INSTALLATION

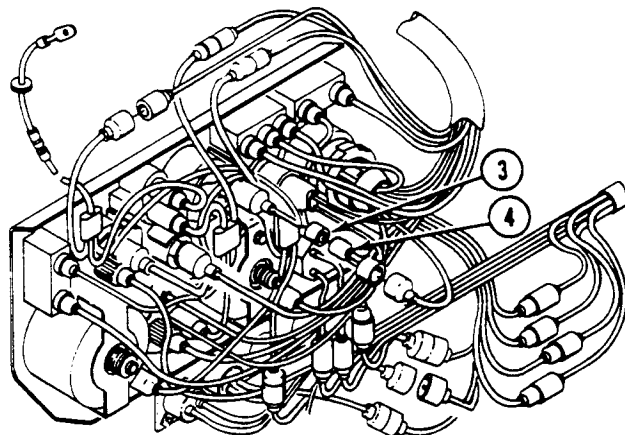
1. Place transmission controller wiring harness (11) in position near mating connectors.
2. Install transmission controller wiring harness connector (10), four new locknuts (9), and screws (8) on driver's compartment bulkhead. Have helper assist.
3. Connect transmission wiring harness (7) to bulkhead connector located inside power plant compartment.
4. Connect wiring harness connector (6) to transmission controller (5).



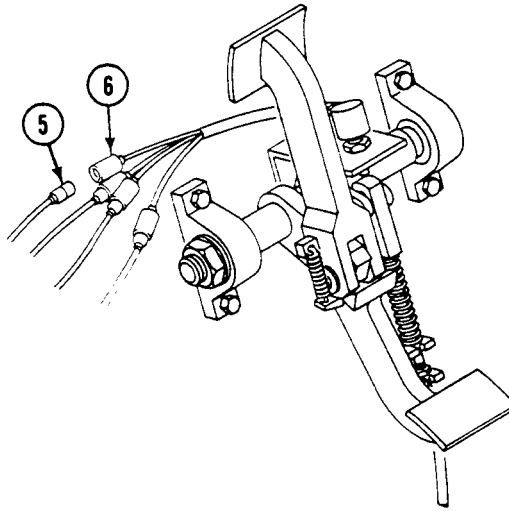
5. Connect circuit 368 lead (1) to steering lock switch wiring harness lead (2).



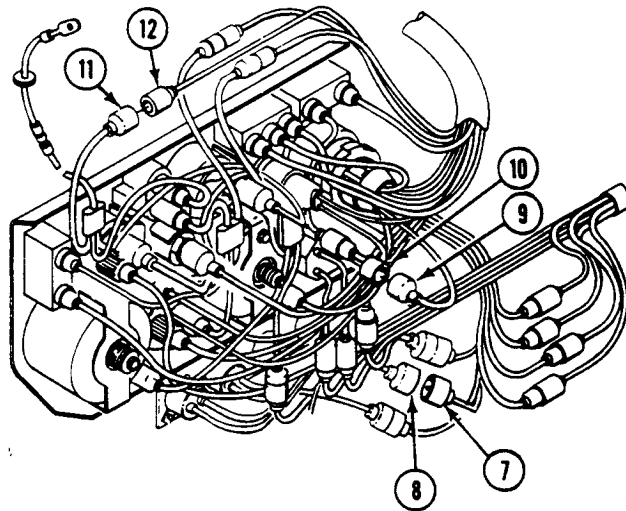
6. Connect circuit 14B lead (3) to circuit 14 lead (4) on front main wiring harness.



7. Connect circuit 366 lead (5) to circuit 366 lead (6) on front main wiring harness.



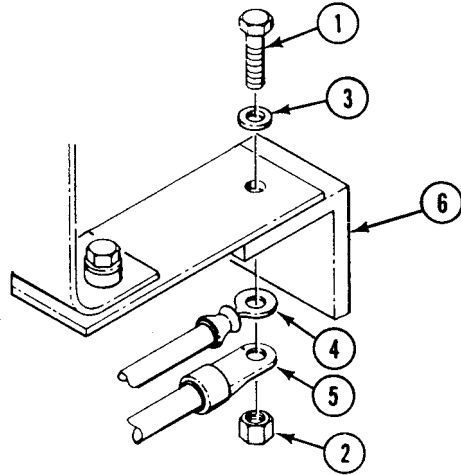
8. Connect circuit 323 lead (7) to transmission filter clogged indicator (8) on instrument panel.
9. Connect circuit 27P lead (9) to instrument panel wiring harness lead (10).
10. Connect circuit 40 lead (11) to instrument panel wiring harness lead (12).



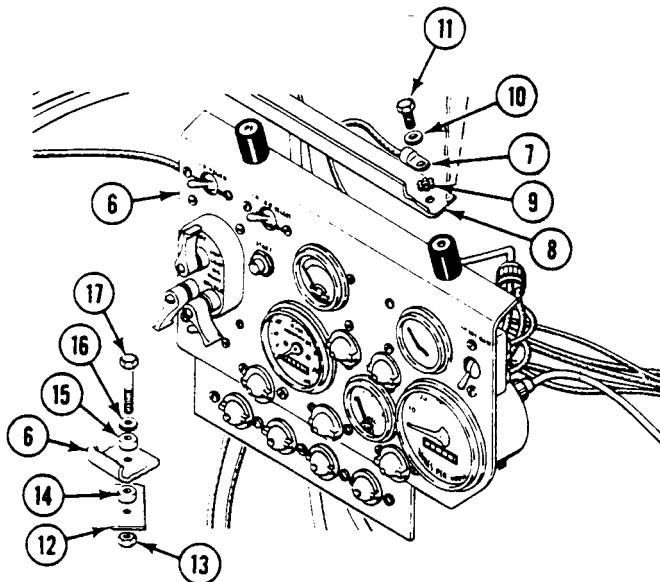
NOTE

Support instrument panel on two struts during installation of panel.

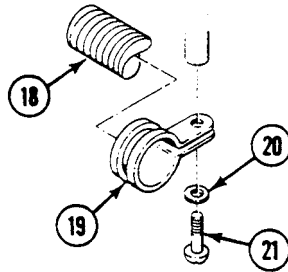
11. Install two ground leads (4) and (5), washer (3), screw (1), and new locknut (2) on strut (6).



12. Install instrument panel (6) and ground lead (7) on support (8). Secure with new lockwasher (9), two washers (10), and screws (11).
13. Install instrument panel (6) on two struts (12). Secure with two new locknuts (13), mounts (14) and (15), washers (16), and screws (17).



14. Install wiring harness (18), three clamps (19), new lockwashers (20), and screws (21) on driver's front hull.

**FOLLOW-THROUGH STEPS**

1. Connect battery ground strap (WP 0337 00 or WP 0338 00).
2. Install driver's power plant access panel (WP 0441 00).
3. Close power plant access door. See TM 9-2350-277-10.
4. Start engine. See TM 9-2350-277-10. Check that transmission controller works right.
5. Stop engine. See TM 9-2350-277-10.

END OF TASK

REPLACE REAR MAIN WIRING HARNESS (M113A3, M1059A3, AND M58)

0362 00 ■

THIS WORK PACKAGE COVERS:

- Removal (page 0362 00-2).
- Inspect and Repair (page 0362 00-21).
- Installation (page 0362 00-21).

INITIAL SETUP:

Maintenance Level

Unit

References

See your -10

Tools and Special Tools

General Mechanic's Tool Kit (WP 0926 00, Item 65)

Equipment Condition

- Engine stopped (see your -10)
- Carrier blocked (see your -10)
- Ramp lowered (see your -10)
- Rear floor plate removed (see WP 0539 00, WP 0542 00, WP 0545 00)
- Battery ground strap disconnected (WP 0337 00)
- Smoke generator fog oil tank module removed (M1059A3 only) (WP 0753 00)

Materials/Parts

- Adhesive sealant (WP 0928 00, Item 6)
- Locknut (9)
- Lockwasher (24)
- Tie strap

Personnel Required

Unit Mechanic

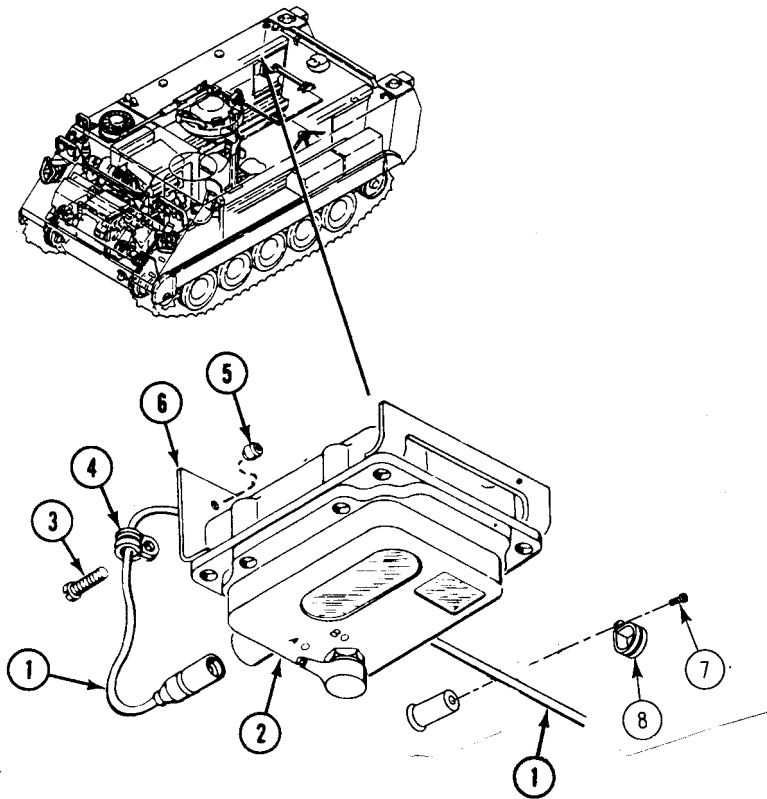
REPLACE REAR MAIN WIRING HARNESS (M113A3, M1059A3, AND M58) — Continued

0362 00

REMOVAL**NOTE**

M58 vehicle has a smoke system operator dome light on left side of carrier.

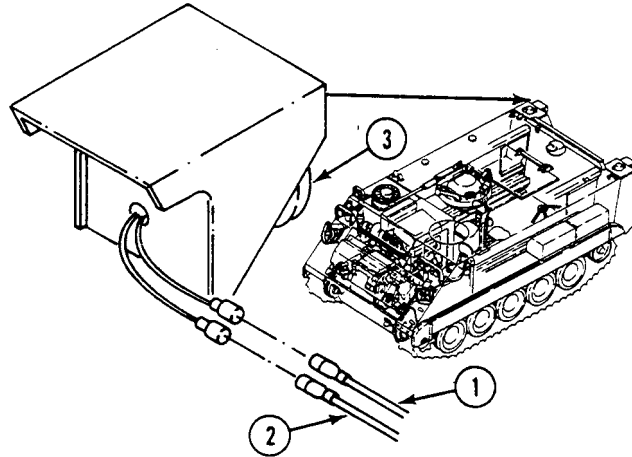
1. Disconnect circuit 38 lead (1) from right dome light (2). (Left dome light M58 only.)
2. Remove screw (3), clamp (4), nut (5), and circuit 38 lead (1) from right dome light bracket (6). (Left dome light M58 only.)
3. Remove three screws (7) and clamps (8) from weldnuts and circuit 38 lead (1) (M113A3 and M1059A3 only).



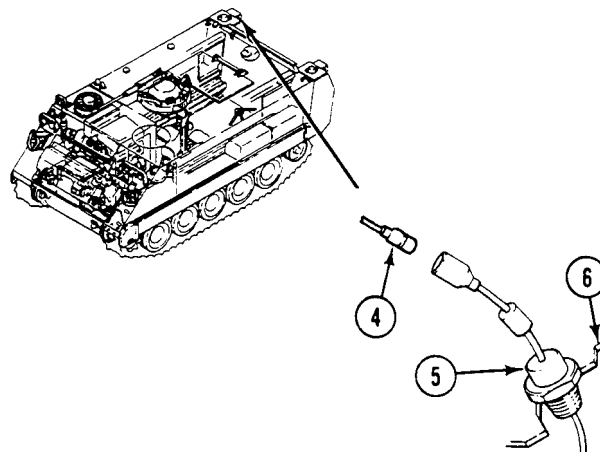
REPLACE REAR MAIN WIRING HARNESS (M113A3, M1059A3, AND M58) — Continued

0362 00 ■

4. Disconnect circuit 23 and 24 leads (1)(2) from right tail light (3)



5. Disconnect circuit 31 lead (4) from right fuel transmitter (5) on fuel tank (6).



REPLACE REAR MAIN WIRING HARNESS (M113A3, M1059A3, AND M58) — Continued

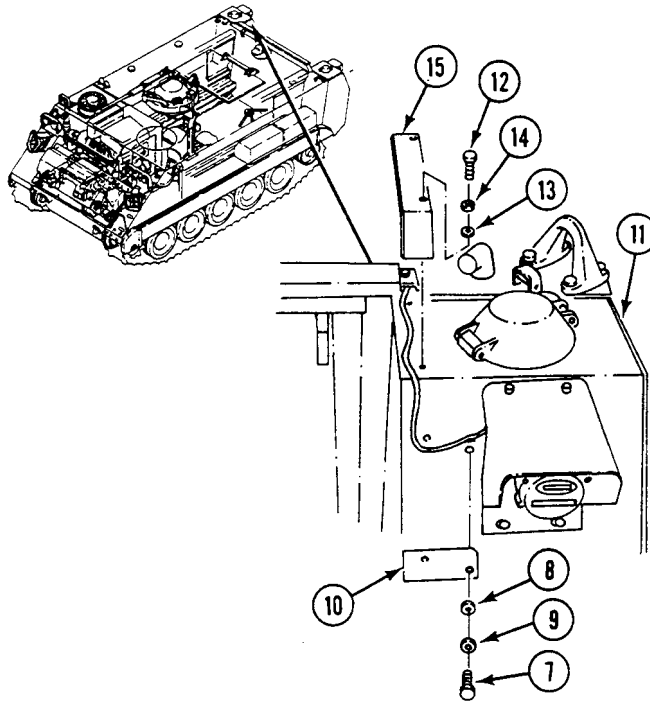
0362 00

- Remove two screws (7), lockwashers (8), and washers (9) that secure harness guard (10) on top of right fuel tank (11). Remove guard from tank. Discard lockwashers.

NOTE

Step 7 is for M113A3 and M1059A3 only. For M58 only, see Replace Antenna Support (WP 0710 00).

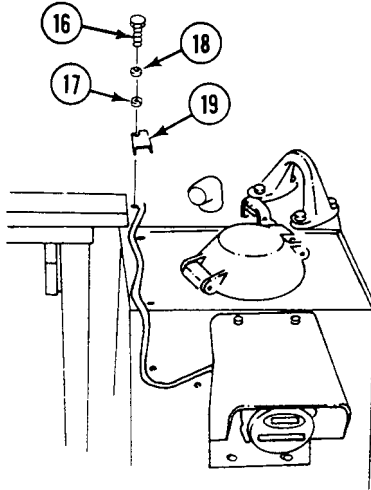
- Remove two screws (12), lockwashers (13), and washers (14) that secure harness bracket (15) on top of right fuel tank (11). Remove bracket from tank. Discard lockwashers.



REPLACE REAR MAIN WIRING HARNESS (M113A3, M1059A3, AND M58) — Continued

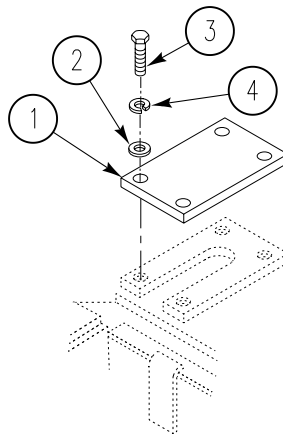
0362 00 ■

8. Remove screw (16), lockwasher (17), and washer (18) that secure harness guard (19) on top of rear hull. Remove guard from hull. Discard lockwasher.

**NOTE**

Do Step 9 for M58 only.

9. Remove four screws (3), lockwashers (4), washers (2), and harness access cover (1) from top of rear hull. Discard lockwashers (M58 only).



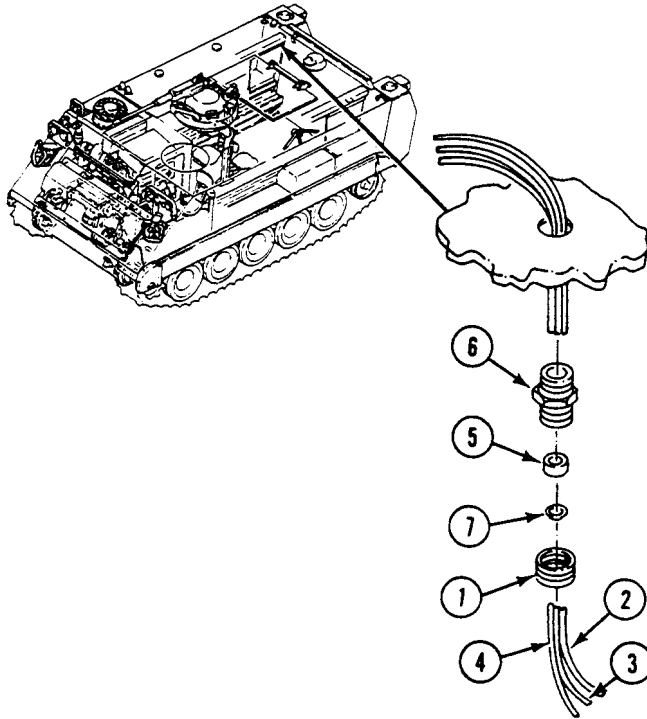
REPLACE REAR MAIN WIRING HARNESS (M113A3, M1059A3, AND M58) — Continued

0362 00

NOTE

The M58 does not use connector, bushing, and hardware only adhesive sealant on wiring harness in hull opening. To remove leads on M58, carefully cut adhesive sealant and pull harness into carrier.

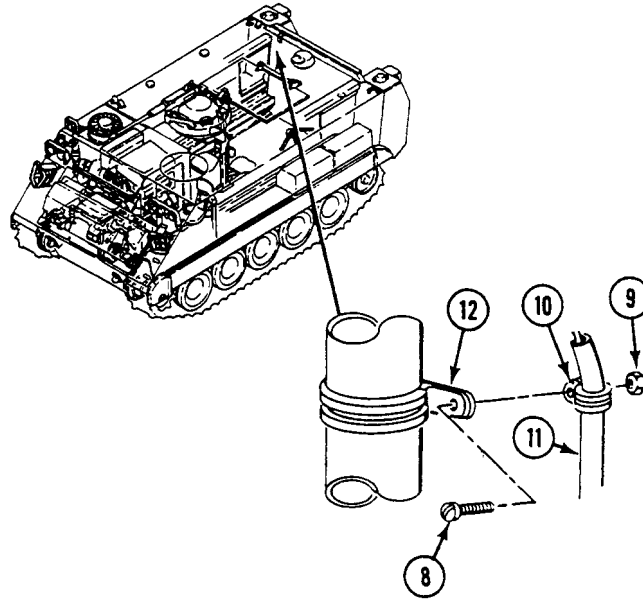
10. Loosen nut (1) that secures circuits 23 (2), 24 (3), and 31 (4) leads with rubber bushing (5) in connector (6). Separate nut, washer (7), and rubber bushing from connector. (All except M58).
11. Remove connector (6) and harness from top of hull. Pull harness into carrier.



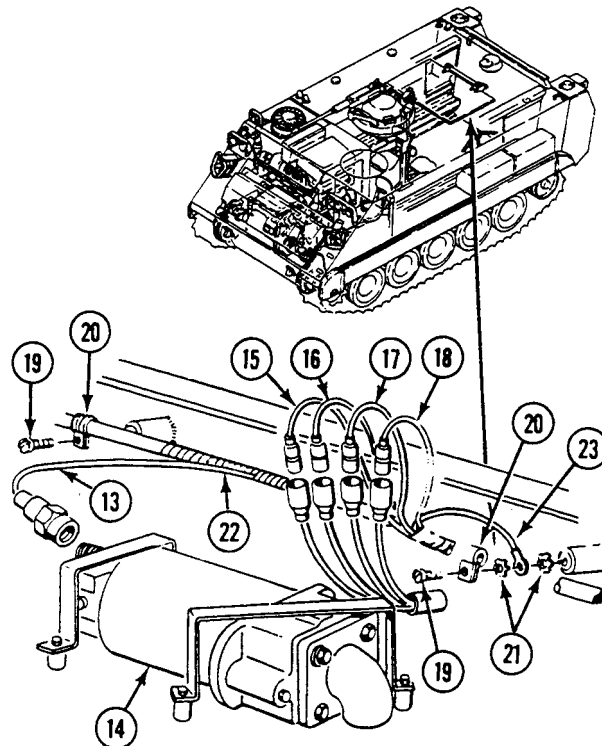
REPLACE REAR MAIN WIRING HARNESS (M113A3, M1059A3, AND M58) — Continued

0362 00 ■

12. Remove screw (8), nut (9), and clamp (10) that secures harness (11) on bilge pump tube clamp (12). Remove harness from bilge pump tube clamp.



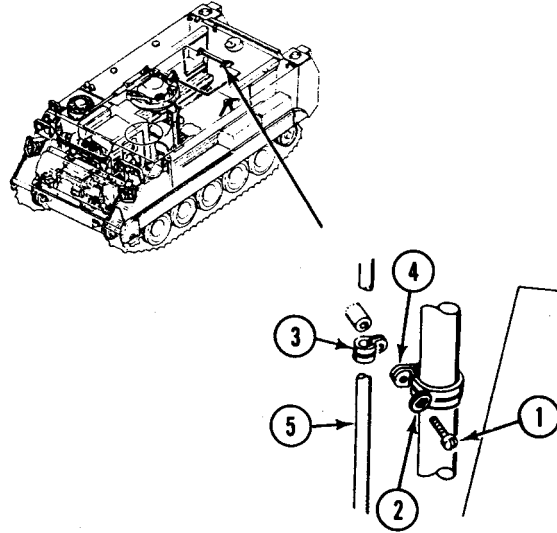
13. Disconnect circuit 451 lead (13) from rear bilge pump (14).
14. Disconnect circuit 21 (15), 22 (16), 23 (17), and 24 leads (18) from trailer harness.
15. Remove two screws (19), clamps (20), washers (21), harness (22), and circuit 90 lead (23) from two weldnuts.



REPLACE REAR MAIN WIRING HARNESS (M113A3, M1059A3, AND M58) — Continued

0362 00

- Remove screw (1), lockwasher (2), and clamp (3) that secure bilge pump tube clamp (4) and wiring harness (5) on weldnut. Discard lockwasher.

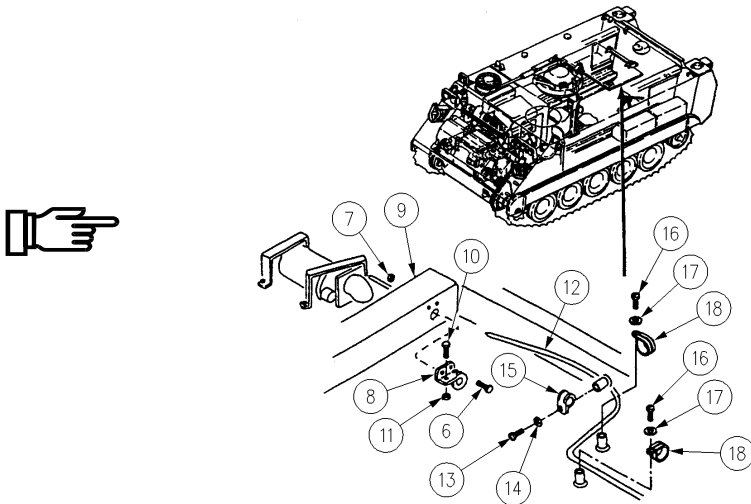


- Remove two screws (6), nuts (7), and clamp (8) from floor transverse beam (9).

NOTE

Only the M58 and M1059A3 have the lockwasher.

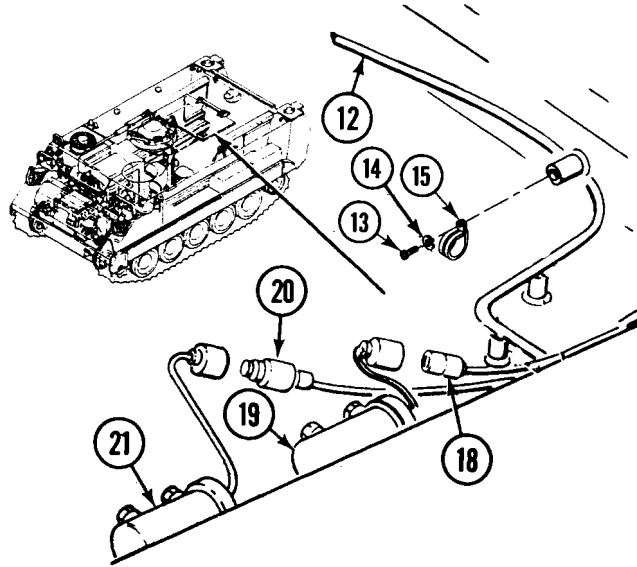
- Remove screw (10), nut (11), and clamp (8) from circuit 451 lead (12).
- Remove three screws (13), lockwashers (14), clamps (15), and circuit 451 lead (12) from weldnut. Discard lockwashers.



REPLACE REAR MAIN WIRING HARNESS (M113A3, M1059A3, AND M58) — Continued

0362 00 ■

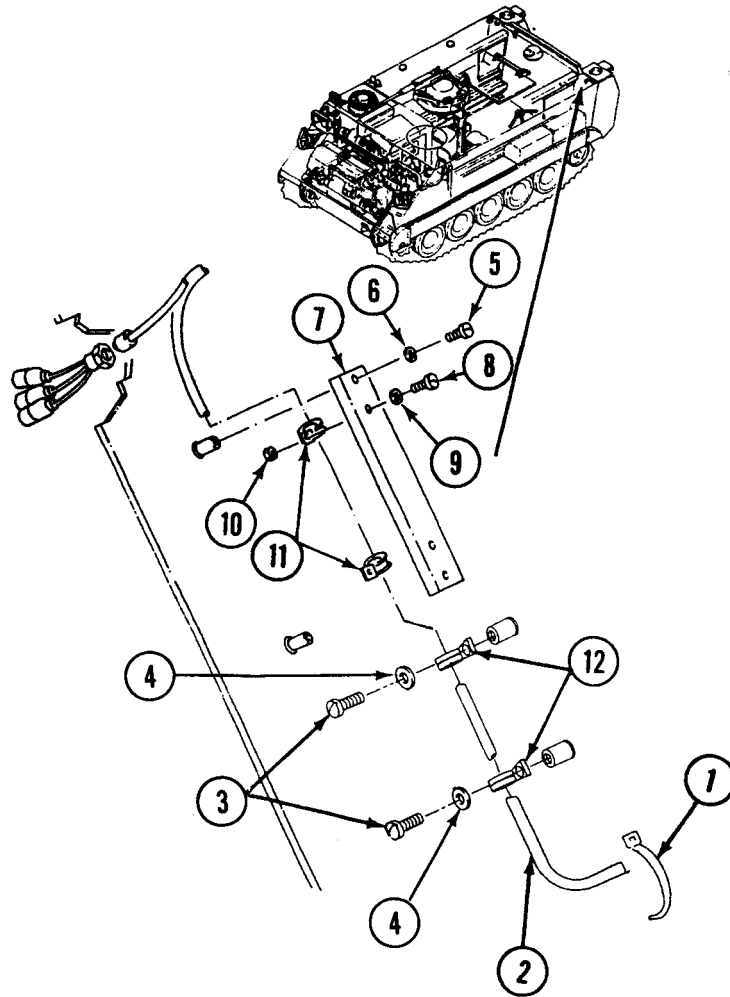
20. If personnel heater is installed, disconnect circuit 402 lead (18) from personnel heater fuel pump (19).
21. If engine coolant heater is installed, disconnect circuit 402A lead (20) from engine coolant heater fuel pump (21).



REPLACE REAR MAIN WIRING HARNESS (M113A3, M1059A3, AND M58) — Continued

0362 00

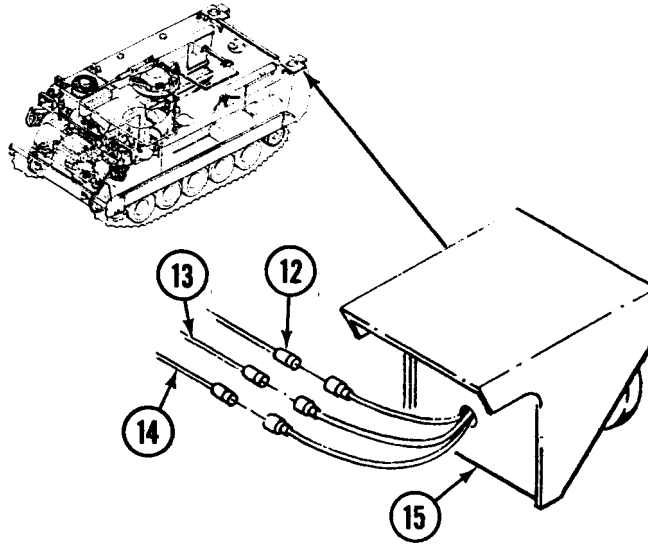
22. Remove strap (1) from harness (2). Discard strap.
23. Remove two screws (3), washers (4), and clamps (19) from harness (2).
24. Remove two screws (5), washers (6), and harness guard (7) from rear hull.
25. Remove two screws (8), washers (9), nuts (10), and clamps (11) that secure harness (2) and guard (7) to rear hull. Remove harness from guard.



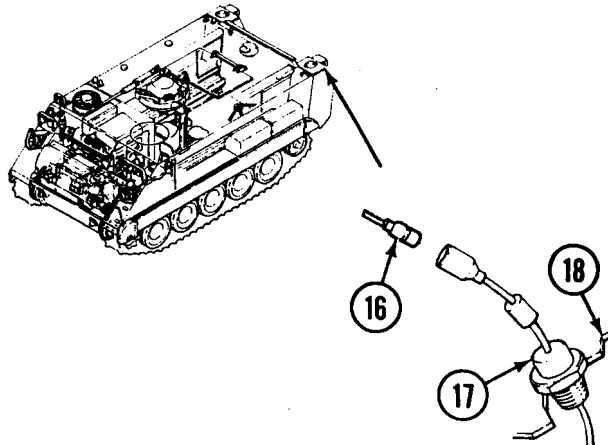
REPLACE REAR MAIN WIRING HARNESS (M113A3, M1059A3, AND M58) — Continued

0362 00 ■

26. Disconnect circuit 21 (12), 22 (13), and 24 (14) leads from left tail light (15).



27. Disconnect circuit 30 lead (16) from fuel transmitter (17) on left fuel tank (18).



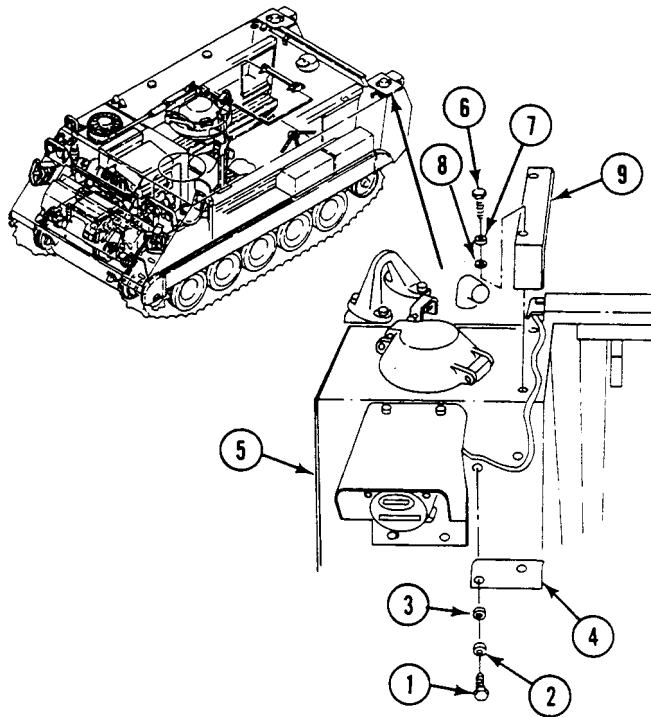
REPLACE REAR MAIN WIRING HARNESS (M113A3, M1059A3, AND M58) — Continued

0362 00

NOTE

Step 28 and Step 29 are for the M113A3 and M1059A3 only. For M58 only, see Replace Antenna Support (WP 0602 00).

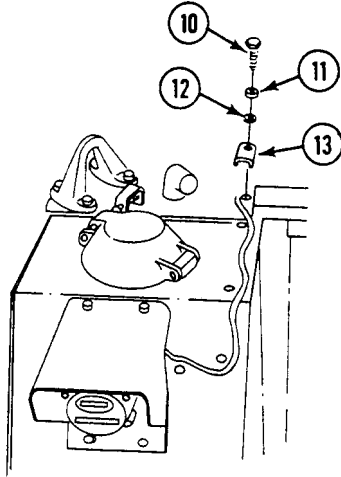
28. Remove two screws (1), lockwashers (2), and washers (3) that secure harness guard (4) to top of fuel tank (5). Remove guard. Discard lockwashers.
29. Remove two screws (6), lockwashers (7), and washers (8) that secure harness bracket (9) to top of fuel tank (5). Remove guard. Discard lockwashers.



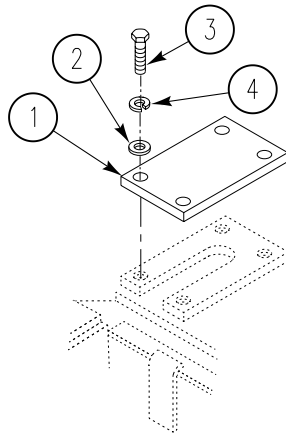
REPLACE REAR MAIN WIRING HARNESS (M113A3, M1059A3, AND M58) — Continued

0362 00 ■

30. Remove screw (10), lockwasher (11), and washer (12), that secure harness guard (13) on top of rear hull. Remove guard. Discard lockwasher.



31. Remove four screws (3), lockwashers (4), washers (2), and harness access cover (1) from top of rear hull. Discard lockwashers (M58 only).



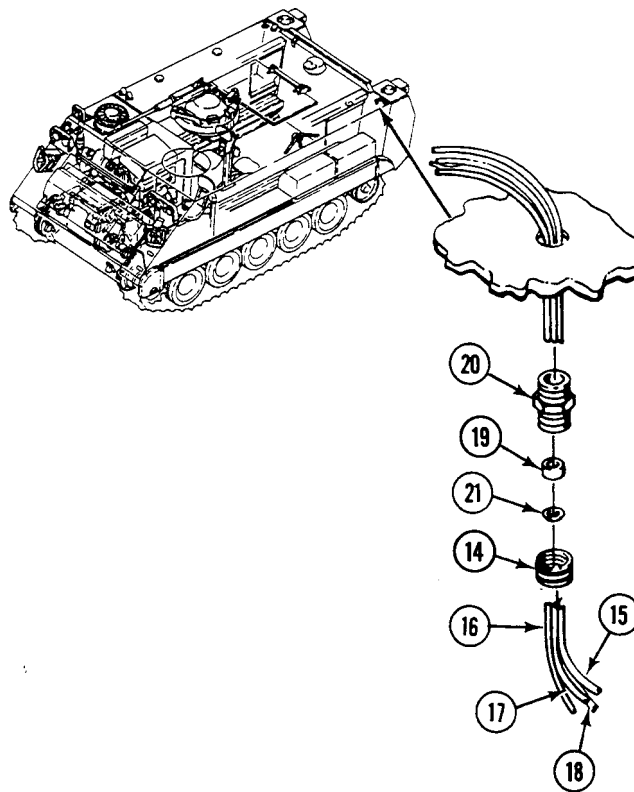
REPLACE REAR MAIN WIRING HARNESS (M113A3, M1059A3, AND M58) — Continued

0362 00

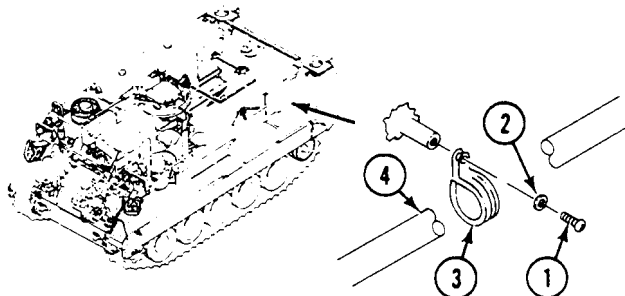
NOTE

The M58 does not use connector, bushing, and hardware only adhesive sealant on wiring harness in hull opening. To remove leads on M58, carefully cut adhesive sealant and pull harness into carrier.

32. Loosen nut (14) that secures circuit 21 (15), 22 (16), 24 (17), and 30 (18) leads with rubber bushing (19) in connector (20). Separate nut (14), washer (21), and rubber bushing (19) from connector.
33. Remove connector (20) and harness from top of hull. Pull harness into carrier.



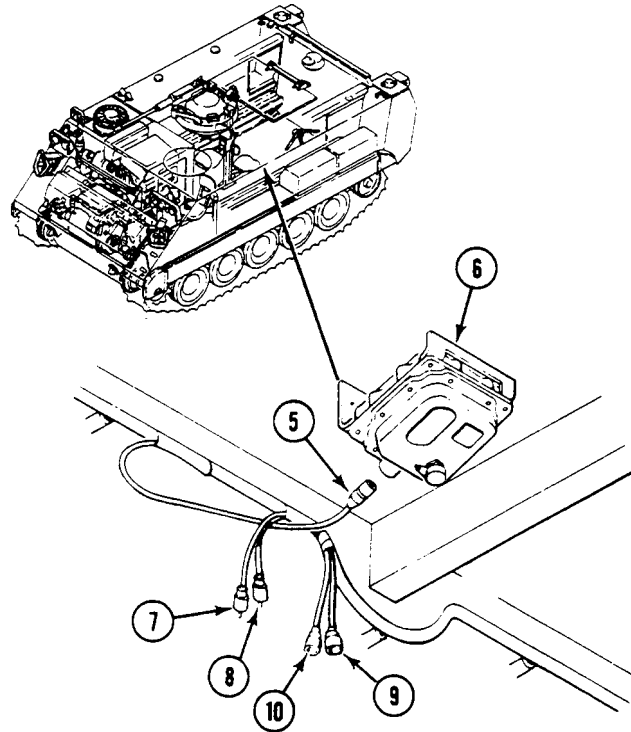
34. Remove 12 screws (1), washers (2), clamps (3), and harness (4) from left side plate of hull.



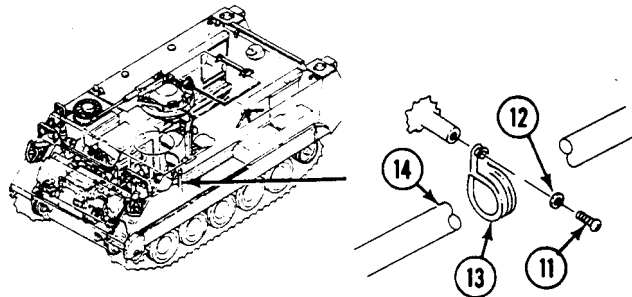
REPLACE REAR MAIN WIRING HARNESS (M113A3, M1059A3, AND M58) — Continued

0362 00 ■

35. Disconnect circuit 38 lead (5) from left dome light (6).
36. If personnel heater is installed, disconnect circuit 402 lead (7) from personnel heater wiring harness.
37. If engine coolant heater is installed, disconnect circuit 402A lead (8) from coolant heater wiring harness.
38. If personnel and coolant heater are installed, disconnect circuit 400 lead (9) from personnel heater control box and circuit 400A lead (10) from coolant heater control box.



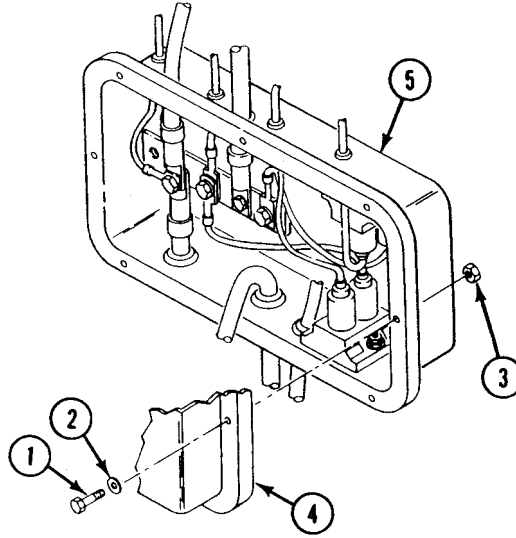
39. Remove three screws (11), washers (12), clamps (13), and harness (14) from left front side plate of hull.



REPLACE REAR MAIN WIRING HARNESS (M113A3, M1059A3, AND M58) — Continued

0362 00

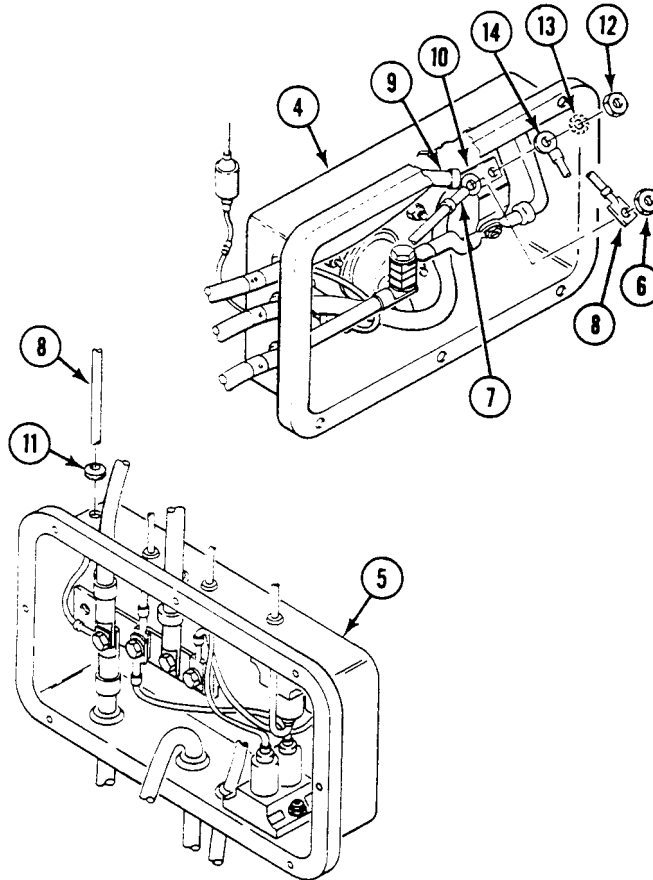
40. Remove eight screws (1), washers (2), locknuts (3), and master switch panel (4) from distribution box (5). Discard locknuts.



REPLACE REAR MAIN WIRING HARNESS (M113A3, M1059A3, AND M58) — Continued

0362 00 ■

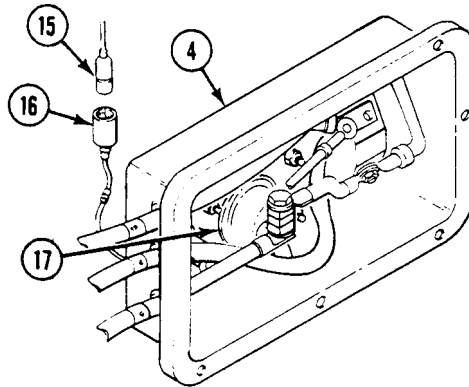
41. Remove locknut (6), circuit 2 (7), 400 (8), and 6 (9) leads from conductor bus (10) of master switch panel (4). Remove circuit 400 lead (8) with grommet (11) from distribution box (5). Discard locknut.
42. Remove nut (12), lockwasher (13), and circuit 2A lead (14) from conductor bus (10). Discard lockwasher.



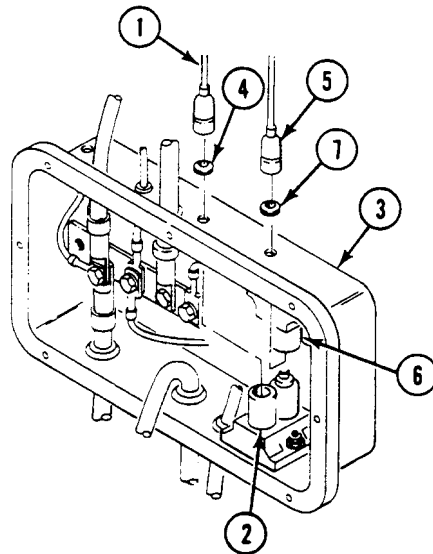
■ REPLACE REAR MAIN WIRING HARNESS (M113A3, M1059A3, AND M58) — Continued

0362 00

43. Disconnect circuit 37 lead (15) from circuit 37 lead (16) of utility outlet (17) on master switch panel (4).



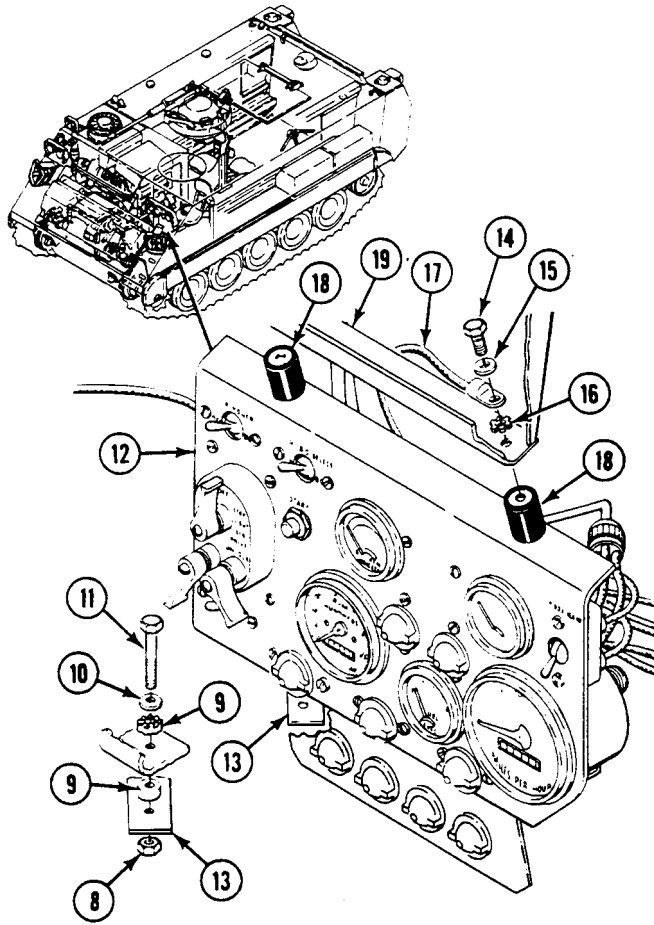
44. Disconnect circuit 450 lead (1) from bilge pump circuit breaker (2) in distribution box (3). Remove circuit 450 lead with grommet (4) from distribution box.
45. Disconnect circuit 450B lead (5) from bilge pump circuit breaker (6) in distribution box (3). Remove circuit 450B with grommet (7) from distribution box.



REPLACE REAR MAIN WIRING HARNESS (M113A3, M1059A3, AND M58) — Continued

0362 00 ■

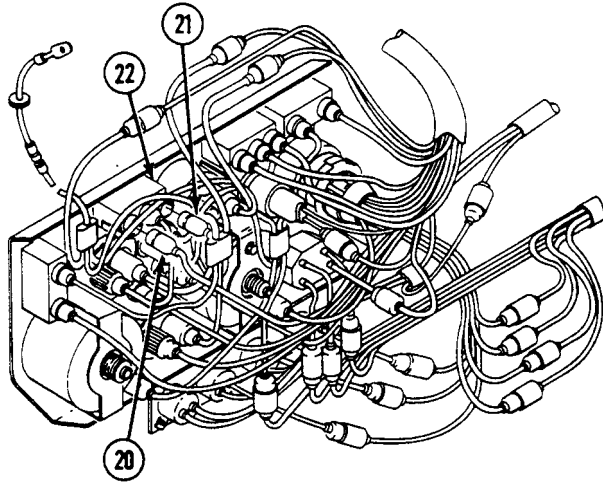
46. Remove two nuts (8), mounts (9), flat washers (10), and screws (11) that secure instrument panel (12) to two struts (13).
47. Support panel. Remove two screws (14), washers (15), one lockwasher (16), and ground lead (17) from two mounts (18) and upper support (19). Discard lockwasher.
48. Support panel (12) on two struts (13) to gain access to rear of panel.



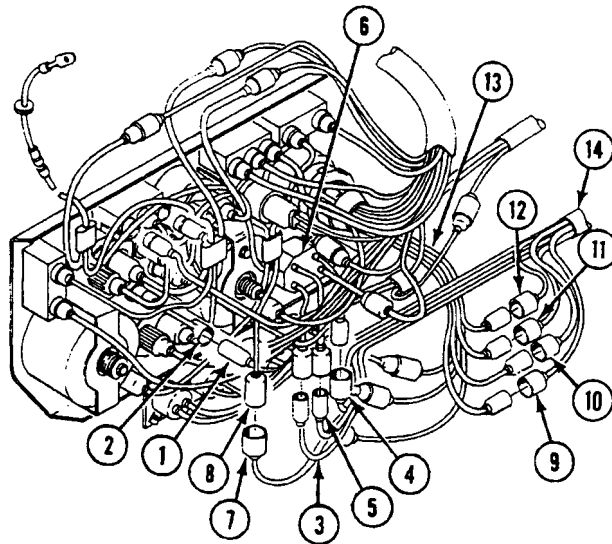
REPLACE REAR MAIN WIRING HARNESS (M113A3, M1059A3, AND M58) — Continued

0362 00

49. Disconnect circuit 30 (20) and 31 (21) leads from fuel level gage switch (22).



50. Disconnect circuit 451B lead (1) from rear bilge pump on indicator light (2).
 51. Disconnect circuit 450 (3), 450B (4), and 451A (5) leads from bilge pump switch (6).
 52. Disconnect circuit 38 lead (7) from special purpose cable assembly (8).
 53. Disconnect circuit 21 (9), 22 (10), 23 (11), and 24 (12) leads from front main wiring harness (13).
 54. Remove rear main wiring harness (14) from carrier.



REPLACE REAR MAIN WIRING HARNESS (M113A3, M1059A3, AND M58) — Continued

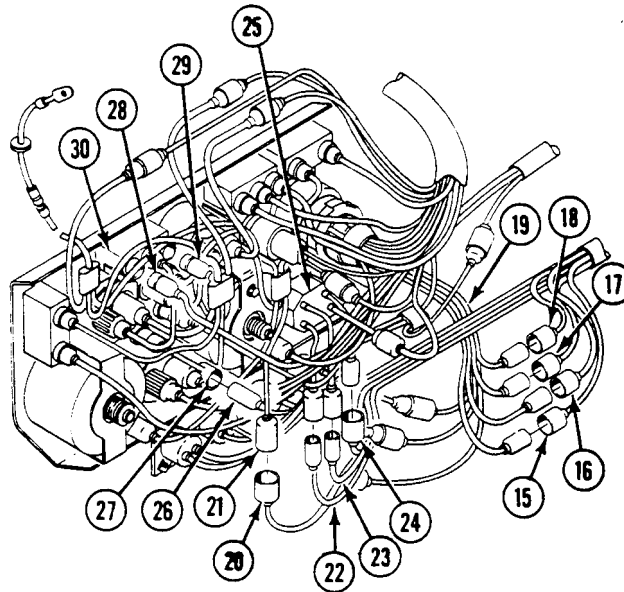
0362 00 ■

TEST AND INSPECTION**INSPECT AND REPAIR**

1. Inspect wiring harness for damaged connectors and terminals. Repair as needed (WP 0382 00).

INSTALLATION

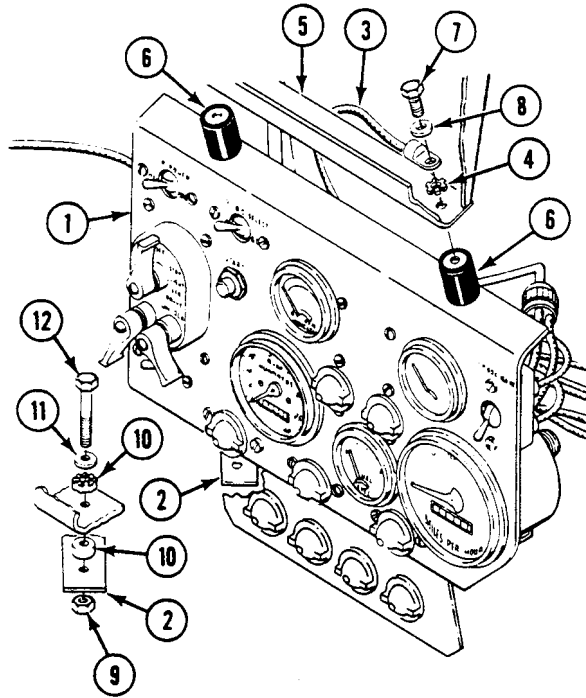
1. Connect circuit 21 (15), 22 (16), 23 (17), and 24 (18) leads to front main wiring harness (19).
2. Connect circuit 38 lead (20) to special purpose cable assembly (21).
3. Connect circuit 450 (22), 450B (23), and 451A (24) leads to bilge pump switch (25).
4. Connect circuit 451B lead (26) to rear bilge pump on indicator light (27).
5. Connect circuit 30 (28) and 31 (29) leads to fuel level gage switch (30).



■ REPLACE REAR MAIN WIRING HARNESS (M113A3, M1059A3, AND M58) — Continued

0362 00

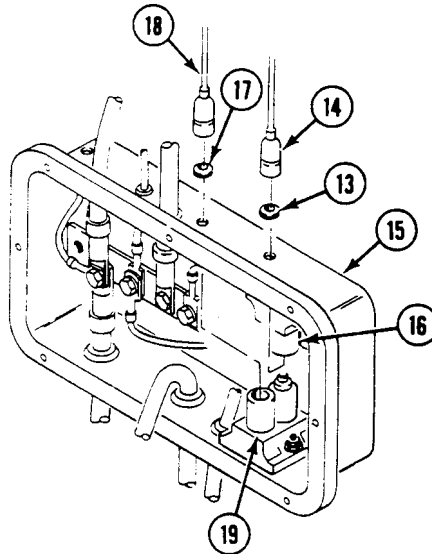
6. Support instrument panel (1) on two struts (2).
7. Install ground lead (3) and new lockwasher (4) on upper support (5). Install panel (1) with two mounts (6) on support (5). Secure with two screws (7) and washers (8).
8. Install panel (1) on two struts (2). Secure with two nuts (9), mounts (10), flat washers (11), and screws (12).



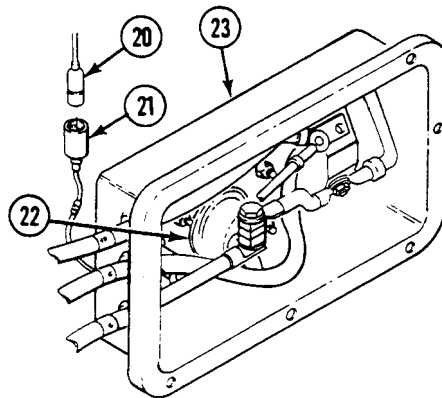
REPLACE REAR MAIN WIRING HARNESS (M113A3, M1059A3, AND M58) — Continued

0362 00 ■

9. Install new grommet (13) and circuit 450B lead (14) in distribution box (15). Connect 450B lead to rear bilge pump circuit breaker (16).
10. Install new grommet (17) and circuit 450 lead (18) in distribution box (15). Connect 450 lead to front bilge pump circuit breaker (19).



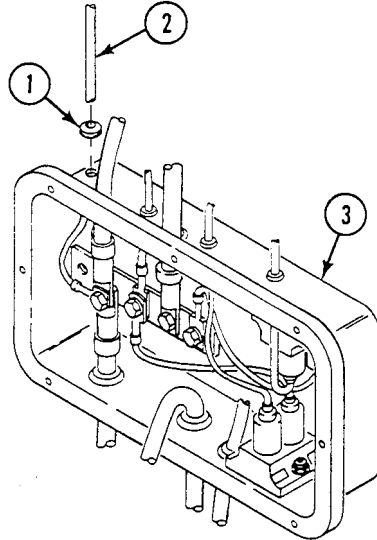
11. Connect circuit 37 lead (20) to circuit 37 lead (21) of utility outlet (22) on master switch panel (23).



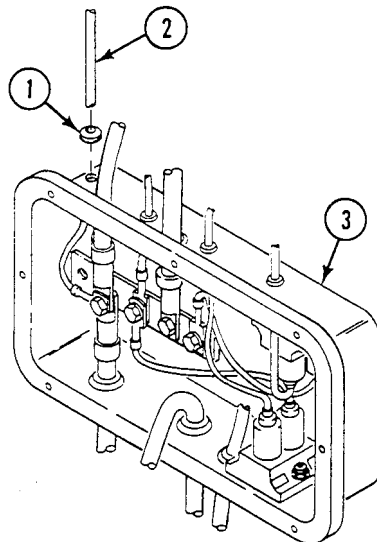
REPLACE REAR MAIN WIRING HARNESS (M113A3, M1059A3, AND M58) — Continued

0362 00

12. Install new grommet (1) on circuit 400 lead (2). Route lead into distribution box (3).



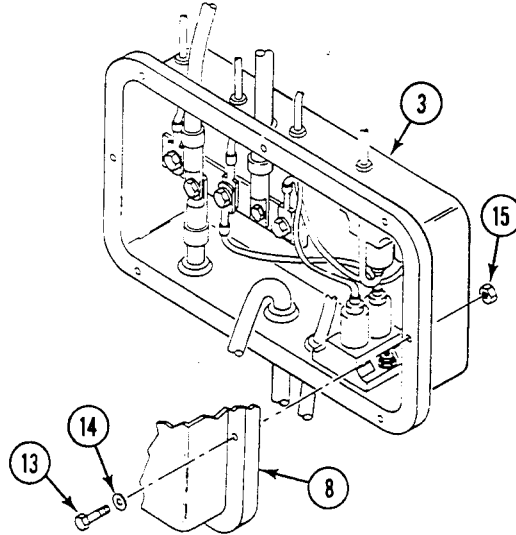
13. Install circuit 6 (4), 2 (5), and 400 (6) leads on conductor bus (7) of master switch panel (8). Secure with new locknut (9).
14. Install circuit 2A lead (10) on conductor bus (7) of master switch panel (8). Secure with new lockwasher (11) and nut (12).



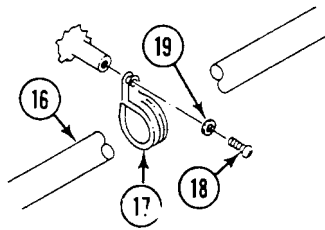
REPLACE REAR MAIN WIRING HARNESS (M113A3, M1059A3, AND M58) — Continued

0362 00 ■

15. Install master switch panel (8) on distribution box (3). Secure with eight screws (13), washers (14), and new locknuts (15).



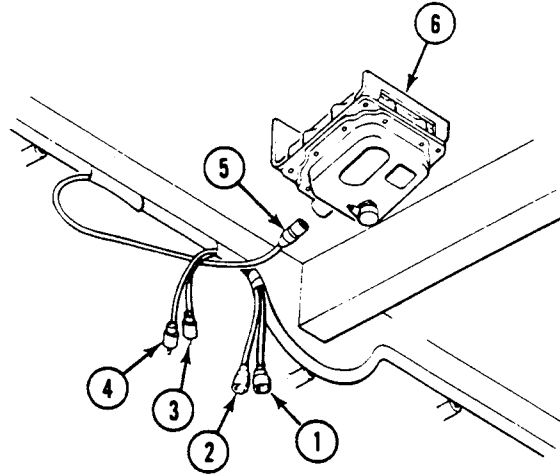
16. Install harness (16) on left front side plate of hull, near instrument panel. Secure with three clamps (17), screws (18), and washers (19).



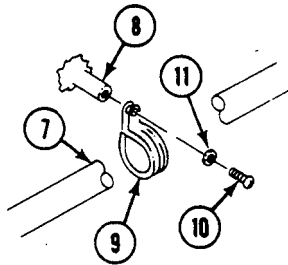
■ REPLACE REAR MAIN WIRING HARNESS (M113A3, M1059A3, AND M58) — Continued

0362 00

17. If personnel heater is installed, connect circuit 400 lead (1) to personnel heater control box.
18. If engine coolant heater is installed, connect circuit 400A lead (2) to coolant heater control box.
19. If engine coolant heater is installed, connect circuit 402A lead (3) to coolant heater wiring harness.
20. If personnel heater is installed, connect circuit 402 lead (4) to personnel heater wiring harness.
21. Connect circuit 38 lead (5) to left dome light (6).



22. Install harness (7) along left side plate of hull. Secure harness on weld nuts (8) with 12 clamps (9), screws (10), and washers (11).



REPLACE REAR MAIN WIRING HARNESS (M113A3, M1059A3, AND M58) — Continued

0362 00 ■

NOTE

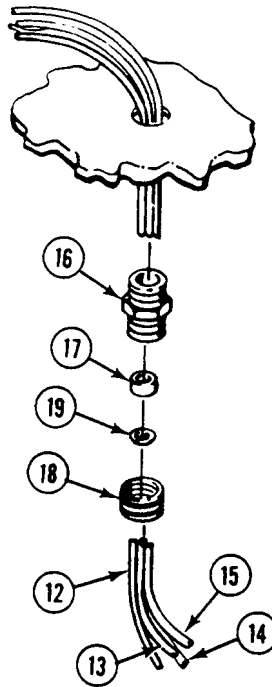
The M58 does not use connector on wiring harness in hull opening. On M58, route leads through opening in hull. Apply adhesive sealant around harness, filling opening to a depth of 0.5 to 1.5 inches (1.27 to 3.81 cm).

23. Route circuit 21 (12), 22 (13), 24 (14), and 30 (15) leads through connector (16) and out of carrier. Install connector on rear top of hull. (All except M58.)

NOTE

The M58 does not use connector, bushing, and hardware only adhesive sealant on wiring harness in hull opening.

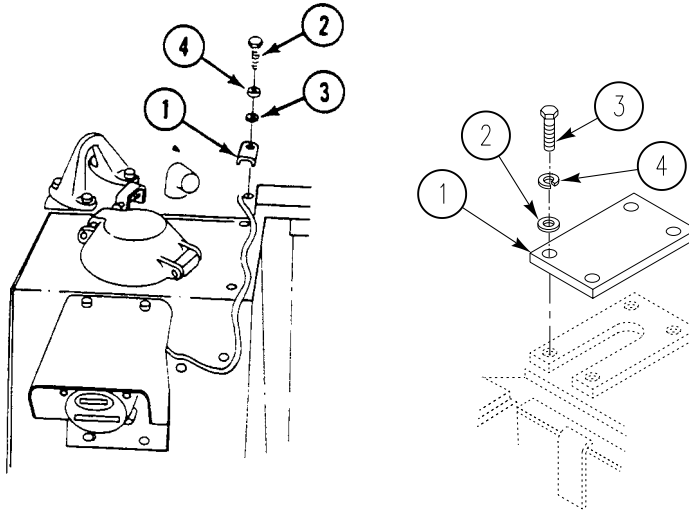
24. Install rubber bushing (17) into connector (16). Secure bushing and leads in connector with nut (18) and washer (19). (All except M58.)



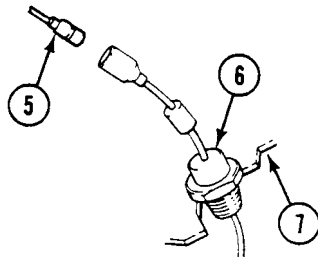
NOTE

Steps 25 - 26 apply to M58 only.

25. Install harness guard (1) on top of rear hull. Secure with screw (2), washer (3), and new lockwasher (4).
 - a. Apply adhesive-sealant to harness access cover (1).
 - b. Install harness access cover (1), four new lockwashers (4), washers (3), and screws (2) on top of rear hull. (M58 only.)



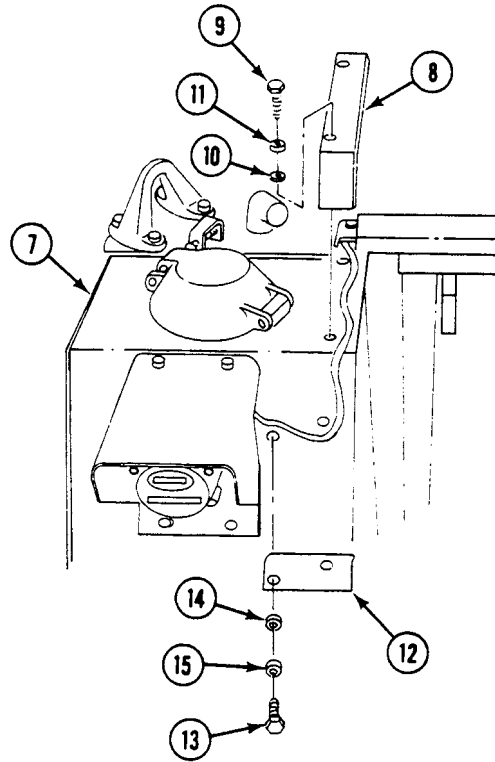
26. Connect circuit 30 lead (5) to transmitter (6) on left fuel tank (7).



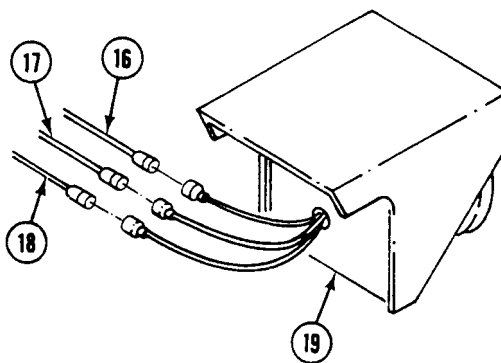
REPLACE REAR MAIN WIRING HARNESS (M113A3, M1059A3, AND M58) — Continued

0362 00 ■

27. Install harness bracket (8) on top of left fuel tank (7). Secure with two screws (9), washers (10), and new lockwashers (11).
28. Install harness guard (12) on top of left fuel tank (7). Secure with two screws (13), washers (14), and new lockwashers (15).



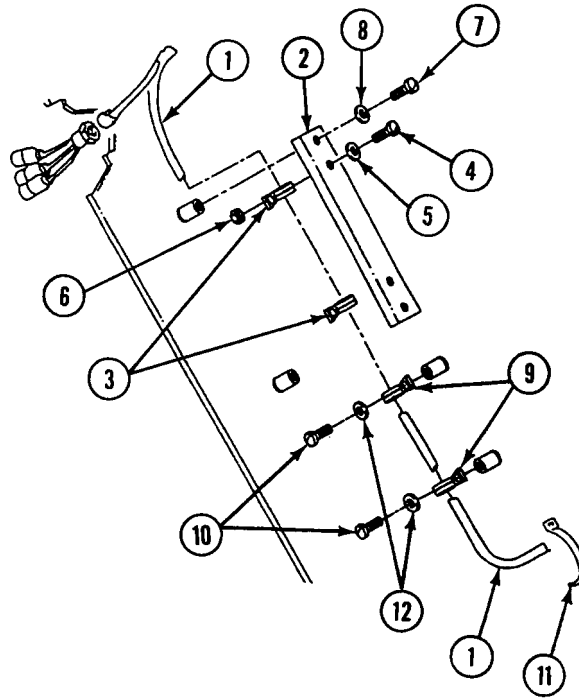
29. Connect circuit 21 (16), 22 (17), and 24 (18) leads to left tail light (19).



■ REPLACE REAR MAIN WIRING HARNESS (M113A3, M1059A3, AND M58) — Continued

0362 00

30. Install harness (1) on guard (2). Secure with two clamps (3), screws (4), washers (5), and nuts (6).
31. Install harness (1) and guard (2) on rear hull. Secure with two screws (7) and washers (8).
32. Install two clamps (9) on harness (1). Secure to hull weldnuts with two screws (10) and washers (12).
33. Install new strap (11) on harness (1).



REPLACE REAR MAIN WIRING HARNESS (M113A3, M1059A3, AND M58) — Continued

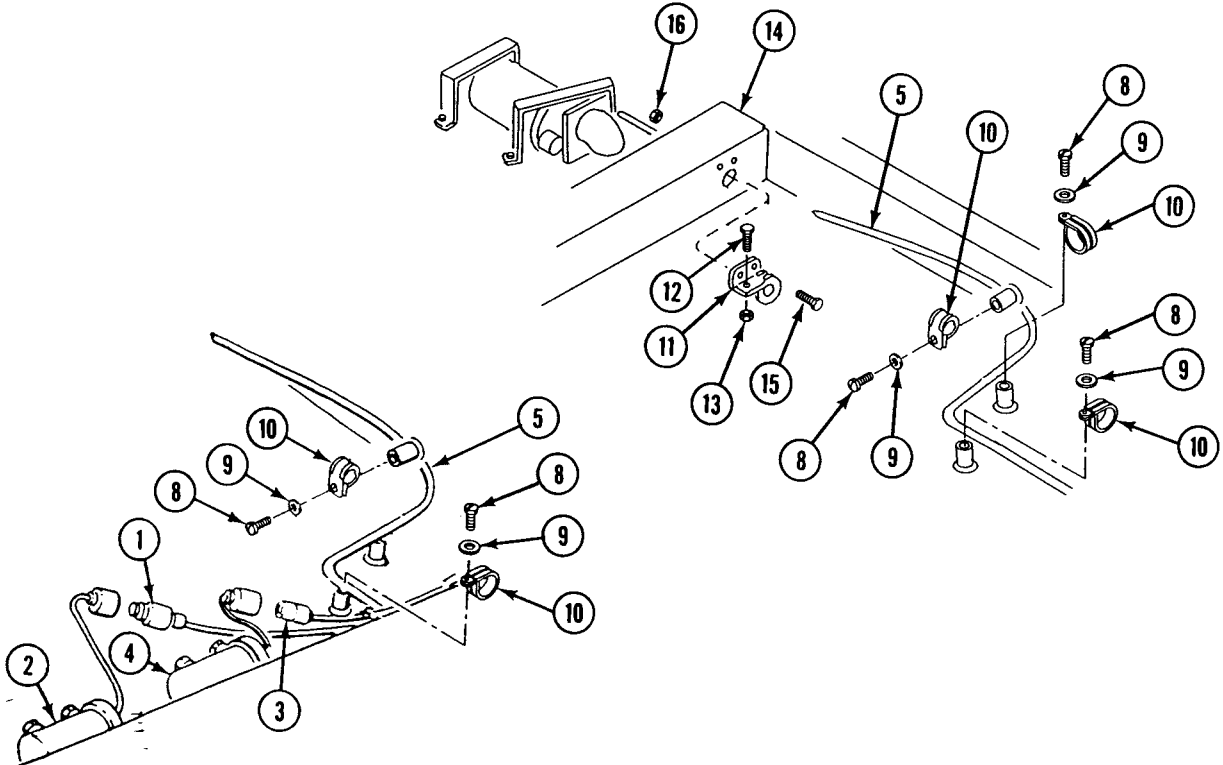
0362 00 ■

34. If engine coolant heater is installed, connect circuit 402A lead (1) to engine coolant heater fuel pump (2).
35. If personnel heater is installed, connect circuit 402 lead (3) to personnel heater fuel pump (4).

NOTE

The lockwashers are used only on M58 and M1059A3.

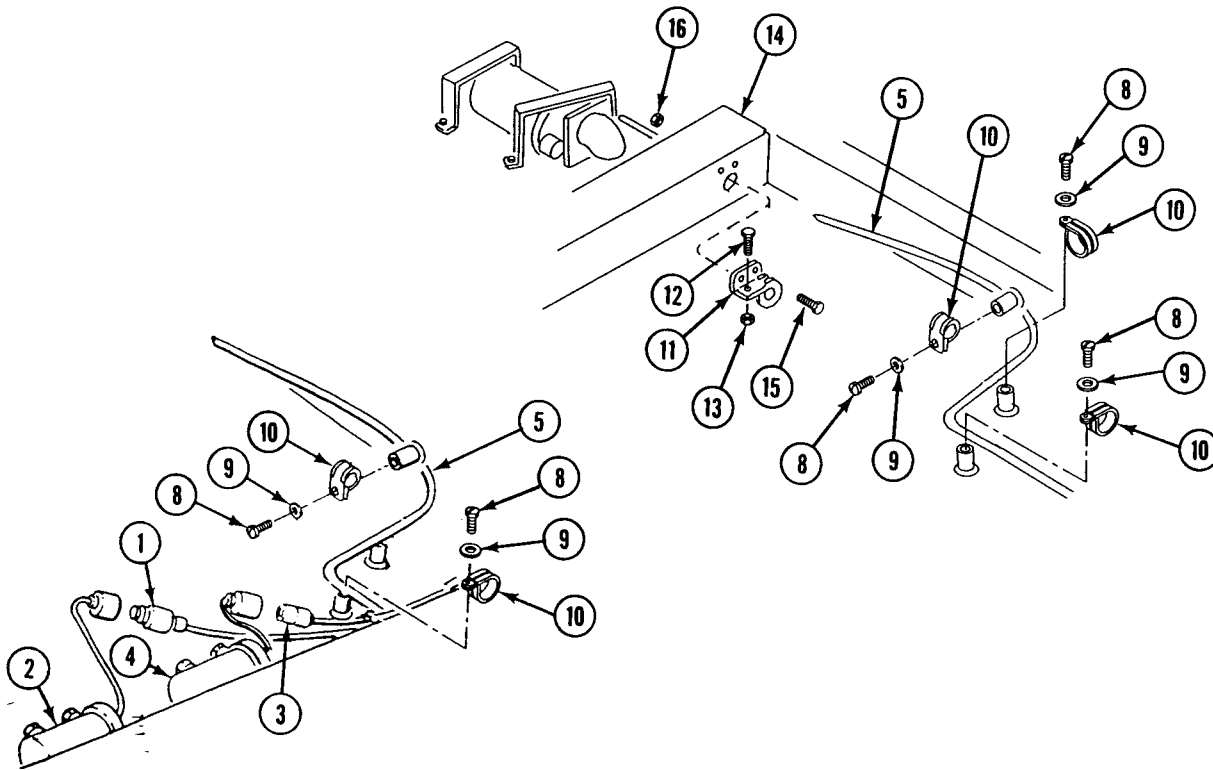
36. Install circuit 451 lead (5). Secure with two clamps (10), screws (8), and new lockwashers (9). (M58 only).



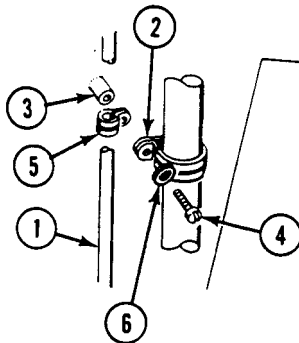
REPLACE REAR MAIN WIRING HARNESS (M113A3, M1059A3, AND M58) — Continued

0362 00

37. Install circuit 451 lead (5) on weldnut. Secure with three screws (8), new lockwashers (9), and clamps (10).
38. Install clamp (11) on circuit 451 lead (5). Secure with screw (12) and nut (13).
39. Install clamp (11) on floor transverse beam (14). Secure with two screws (15) and nuts (16).



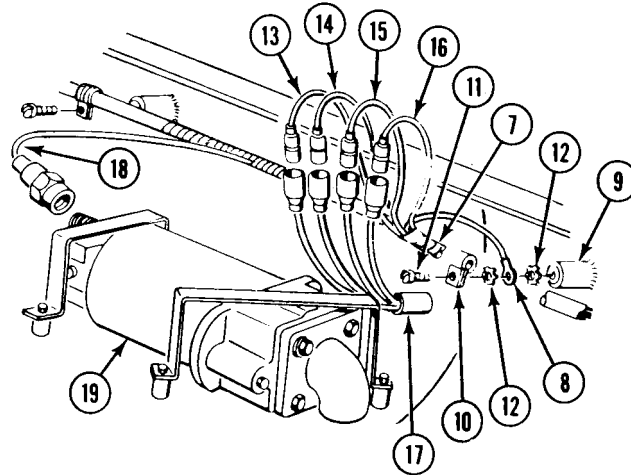
40. Install wiring harness (1) and bilge tube clamp (2) on weldnut (3). Secure with screw (4) and clamp (5) and new lockwasher (6).



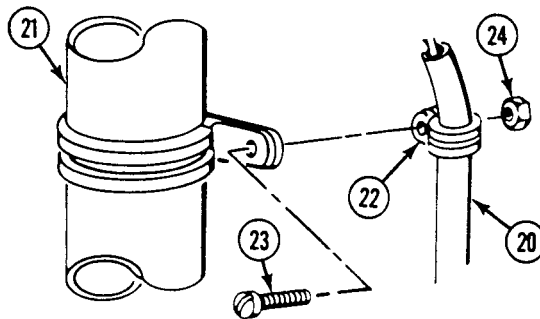
REPLACE REAR MAIN WIRING HARNESS (M113A3, M1059A3, AND M58) — Continued

0362 00 ■

41. Install harness (7) and bilge pump ground lead (8) on weld nuts (9). Secure with two clamps (10), screws (11), and washers (12).
42. Connect circuit 21 (13), 22 (14), 23 (15), and 24 (16) leads to trailer harness (17).
43. Connect circuit 451 lead (18) to rear bilge pump (19).



44. Install harness (20) on bilge pump tube (21). Secure with clamp (22), screw (23), and nut (24).



REPLACE REAR MAIN WIRING HARNESS (M113A3, M1059A3, AND M58) — Continued

0362 00

NOTE

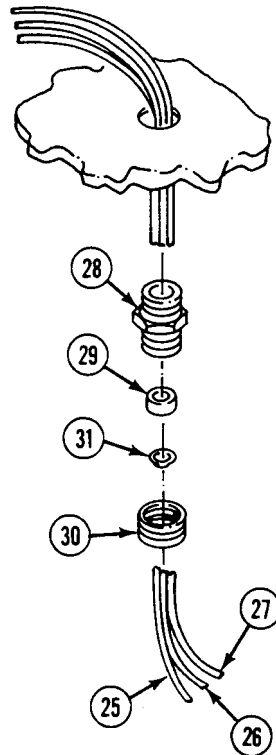
The M58 does not use connector, bushing, and hardware only adhesive sealant on wiring harness in hull opening.

45. Route circuit 23 (25), 24 (26), and 31 (27) leads through connector (28) out of hull. Install connector on top of hull (from inside hull). (All except M58.)

NOTE

The M58 does not use connector on wiring harness in hull opening. On M58, route leads through opening in hull. Apply adhesive sealant around harness, filling opening to a depth of 0.5 to 1.5 inches (1.27 to 3.81 cm).

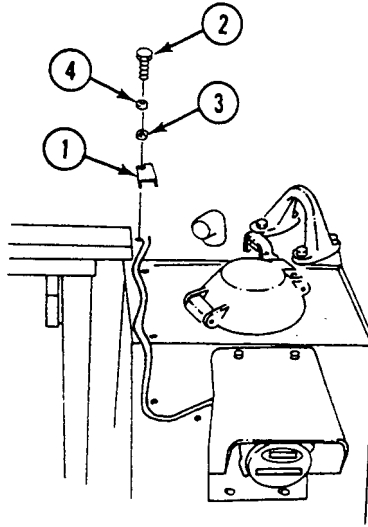
46. Install rubber bushing (29) with leads (25), (26), (27) into connector (28). Secure rubber bushing in connector with nut (30) and washer (31). (All except M58.)



REPLACE REAR MAIN WIRING HARNESS (M113A3, M1059A3, AND M58) — Continued

0362 00 ■

47. Install harness guard (1) on top of rear hull. Secure with screw (2), new lockwasher (3), and washer (4)
48. Install harness access cover (1) on top of rear hull. (M58 only.)
 - a. Apply adhesive-sealant to harness access cover (1).
 - b. Install harness access cover (1), four new lockwashers (4), washers (3), and screws (2) on top of rear hull.



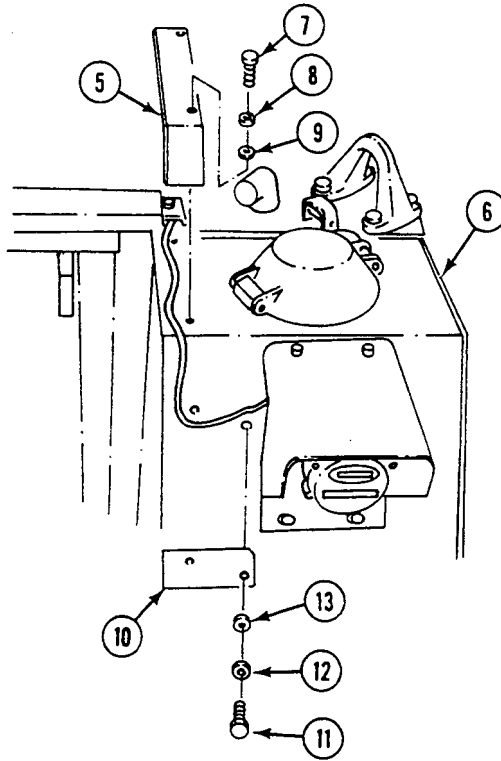
REPLACE REAR MAIN WIRING HARNESS (M113A3, M1059A3, AND M58) — Continued

0362 00

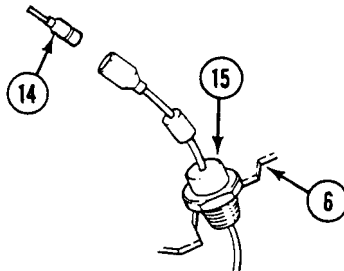
NOTE

Step 49 and Step 50 are for M113A3 and M1059A3 only. For M58 only, see Replace Antenna Support (WP 0602 00).

- 49. Install harness bracket (5) on top of right fuel tank (6). Secure with two screws (7), new lockwashers (8), and washers (9).
- 50. Install harness guard (10) on top of right fuel tank (6). Secure with two screws (11), new lockwashers (12), and washers (13).



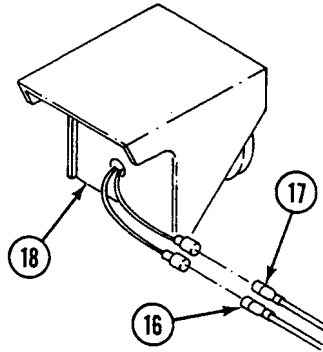
- 51. Connect circuit 31 lead (14) to right fuel transmitter (15) on fuel tank (6).



REPLACE REAR MAIN WIRING HARNESS (M113A3, M1059A3, AND M58) — Continued

0362 00 ■

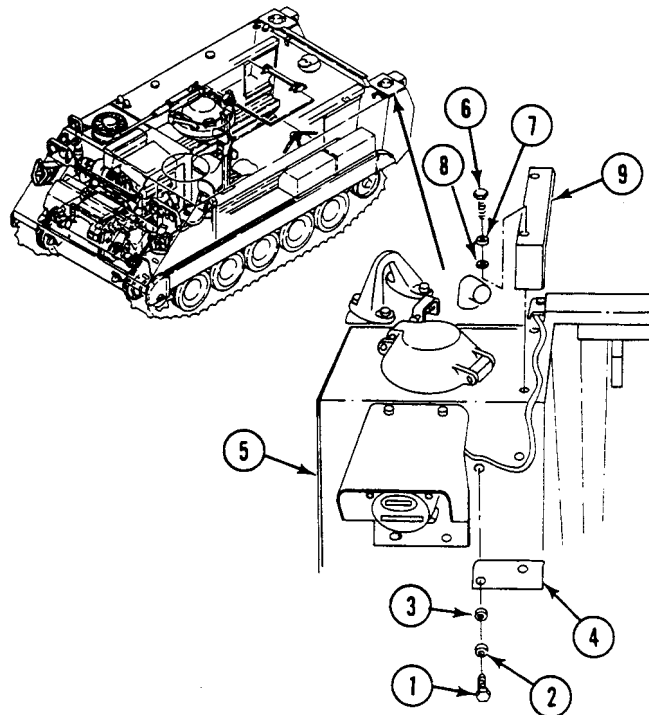
52. Connect circuit 23 (16) and 24 (17) leads to right tail light (18).



NOTE

Step 53 and Step 54 are for M113A3 and M1059A3 only. For M58 only, see Replace Antenna Support (WP 0602 00).

53. Install two screws (1) new lockwashers (2), washers (3), and harness guard (4) to top of fuel tank (5).
 54. Install two screws (6), new lockwashers (7), washers (8), and harness bracket (9) to top of fuel tank (5).



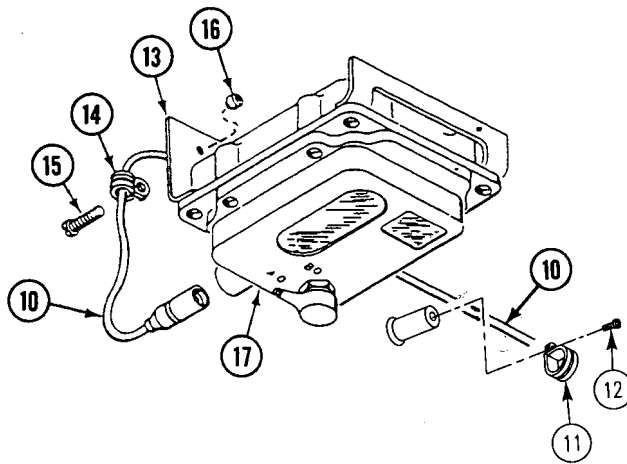
REPLACE REAR MAIN WIRING HARNESS (M113A3, M1059A3, AND M58) — Continued

0362 00

NOTE

M58 vehicle has a smoke system operator dome light on left side of carrier.

- 55. Install circuit 38 lead (10) on weldnuts. Secure with three clamps (11) and screws (12). (M113A3 and M1059A3 only.)
- 56. Install circuit 38 lead (10) on right dome light bracket (13). Secure with clamp (14), screw (15), and nut (16). (Left dome light M58 only.)
- 57. Connect circuit 38 lead (10) to rear dome light (17). (Left dome light M58 only.)

**FOLLOW-THROUGH STEPS**

- 1. Install smoke generator fog oil tank module (M1059A3 only) (WP 0753 00).
- 2. Install rear floor plate (see Table of Contents).
- 3. Connect battery ground strap (WP 0337 00).
- 4. Start engine (see your -10).
- 5. Check that electrical system works right (see your -10).
- 6. Raise and lock ramp (see your -10).
- 7. Stop engine (see your -10).

END OF TASK

REPLACE REAR MAIN WIRING HARNESS (M577A3 ONLY)

0363 00

THIS WORK PACKAGE COVERS:

- Removal (page 0363 00-2).
- Inspection and Repair (page 0363 00-15).
- Installation (page 0363 00-15).

INITIAL SETUP:

Maintenance Level

Unit

Tools and Special Tools

General Mechanic's Tool Kit (WP 0926 00, Item 65)

Materials/Parts

- Nonelectrical wire (WP 0928 00, Item 42)
- Gasket
- Grommet (10)
- Locknut (8)
- Lockwasher (59)

Personnel Required

Unit Mechanic

References

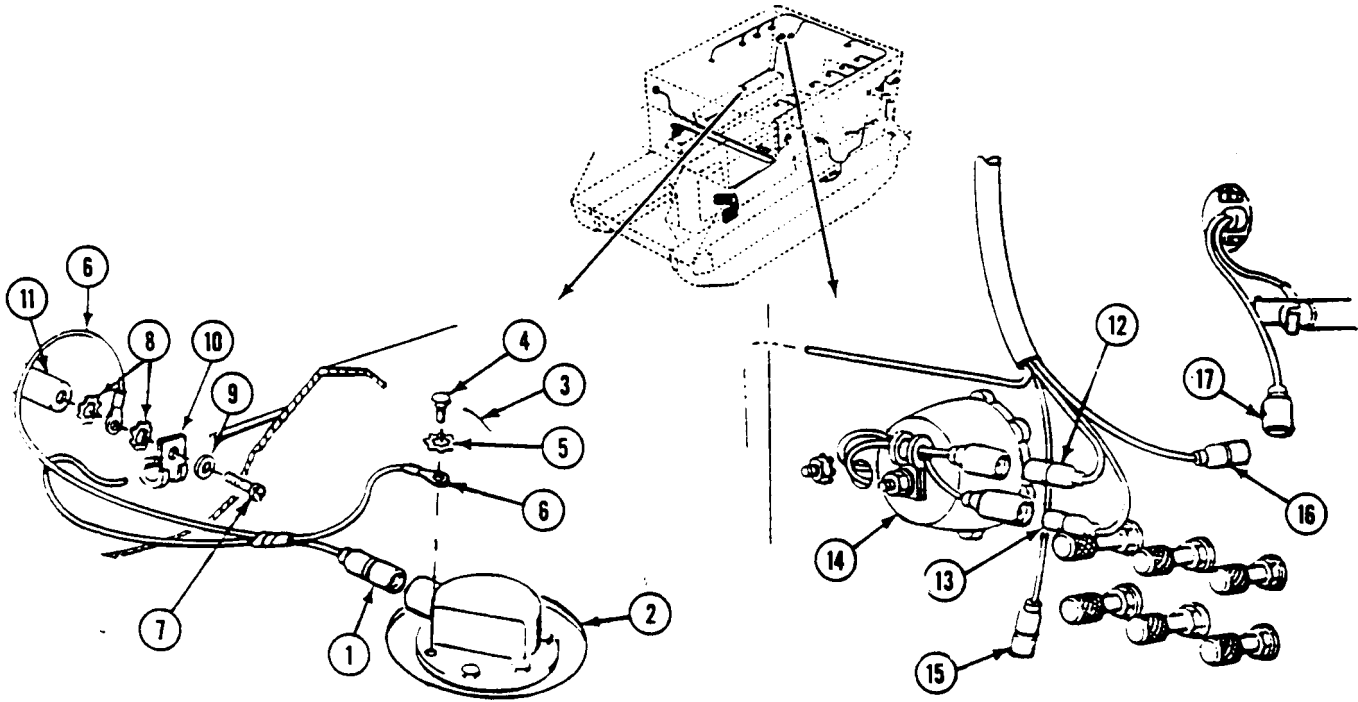
- See your -10
- TM 11-7010-256-12&P

Equipment Condition

- Engine stopped (see your -10)
 - Carrier blocked (see your -10)
 - Ramp lowered (see your -10)
 - Battery access cover removed (see your -10)
 - Battery ground lead disconnected (WP 0338 00)
 - Rear floor plate removed (WP 0539 00)
-

REMOVAL

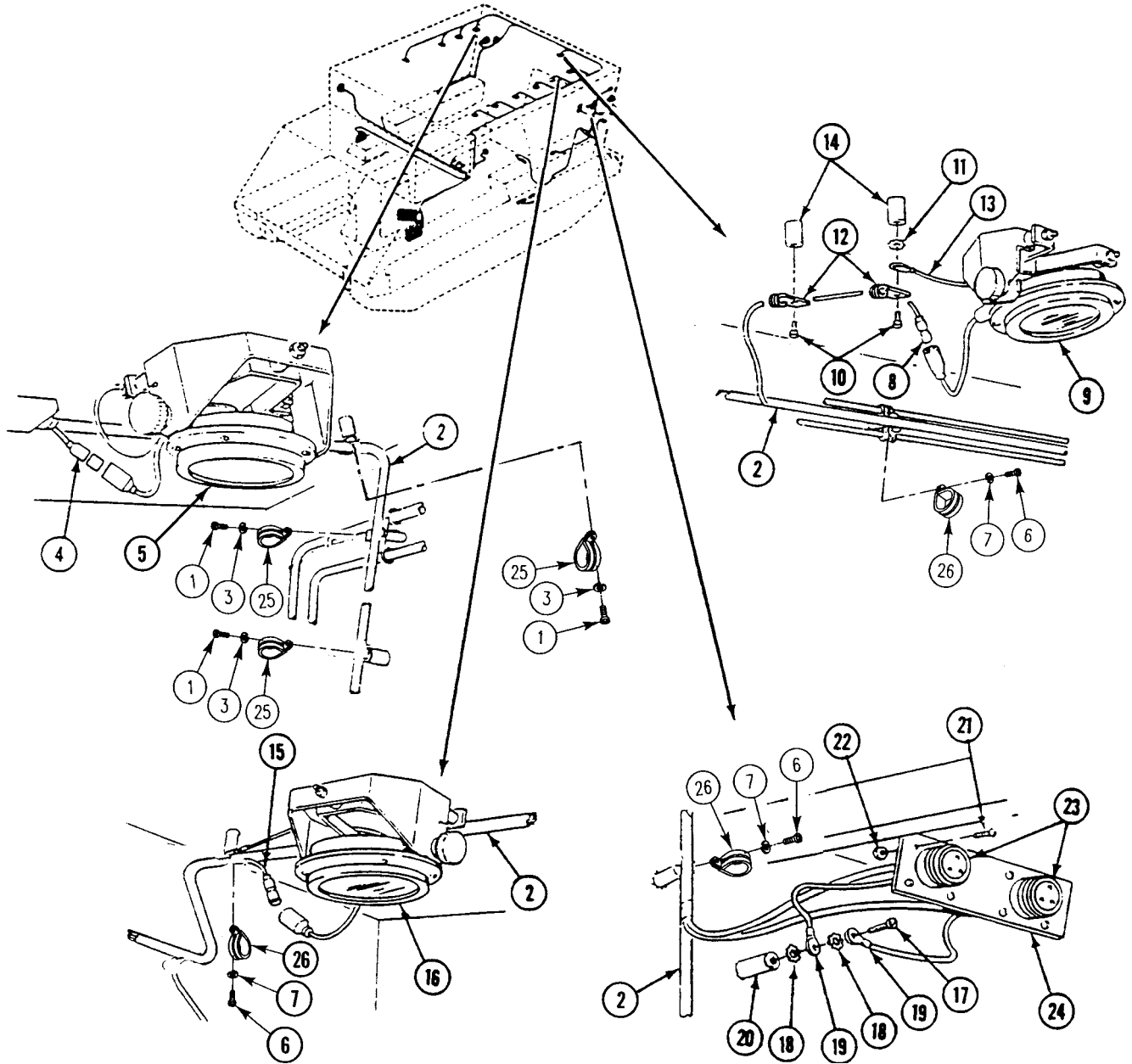
1. Disconnect circuit 29 lead (1) from right fuel quantity sending unit (2).
2. Remove lockwire (3), screw (4), lockwasher (5), and ground lead (6) from sending unit (2). Discard lockwire and lockwasher.
3. Remove three screws (7), two lockwashers (8), flat washer (9), ground lead (6), and three clamps (10), from three weldnuts (11). Remove clamps (10) from circuit 29 lead (1). Discard lockwashers.
4. Disconnect circuit 23 lead (12) and circuit 24 lead (13) from right tail light (14).
5. If NBC unit is installed, disconnect circuit 415 lead (15) from NBC unit switch.
6. Disconnect circuit 37A lead (16) from right utility outlet lead (17).
7. Remove three screws (1), six lockwashers (3), three clamps (25) and rear main wiring harness (2) from three weldnuts. Discard lockwashers.



REPLACE REAR MAIN WIRING HARNESS (M577A3 ONLY) — Continued

0363 00

8. Disconnect four circuit 38C leads (4) from four right side dome lights (5).
9. Remove six screws (1), lockwashers (3), clamps (25) and rear main wiring harness (2) from six weldnuts. Discard lockwashers.

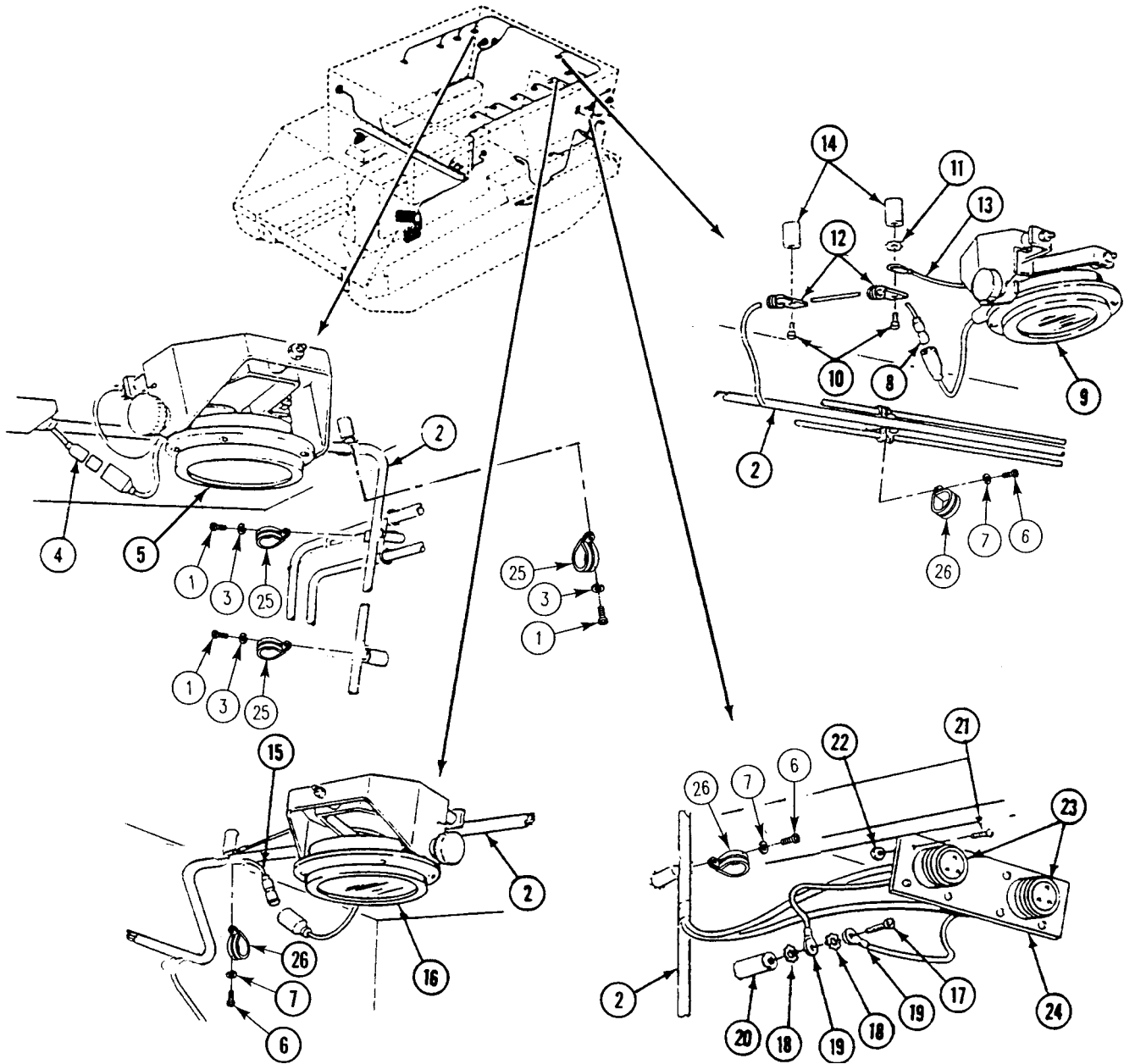


10. Disconnect circuit 38B lead (8) from rear blackout dome light (9).
11. Remove two screws (10), one lockwasher (11), two clamps (12), and ground lead (13) from two weldnuts (14). Remove clamps (12) from circuit 38B lead (8). Discard lockwasher.
12. Disconnect four circuit 38C leads (15) from four left side dome lights (16).
13. Remove screw (17), two lockwashers (18), and ground leads (19) from weldnut (20). Discard lockwashers.

REPLACE REAR MAIN WIRING HARNESS (M577A3 ONLY) — Continued

0363 00

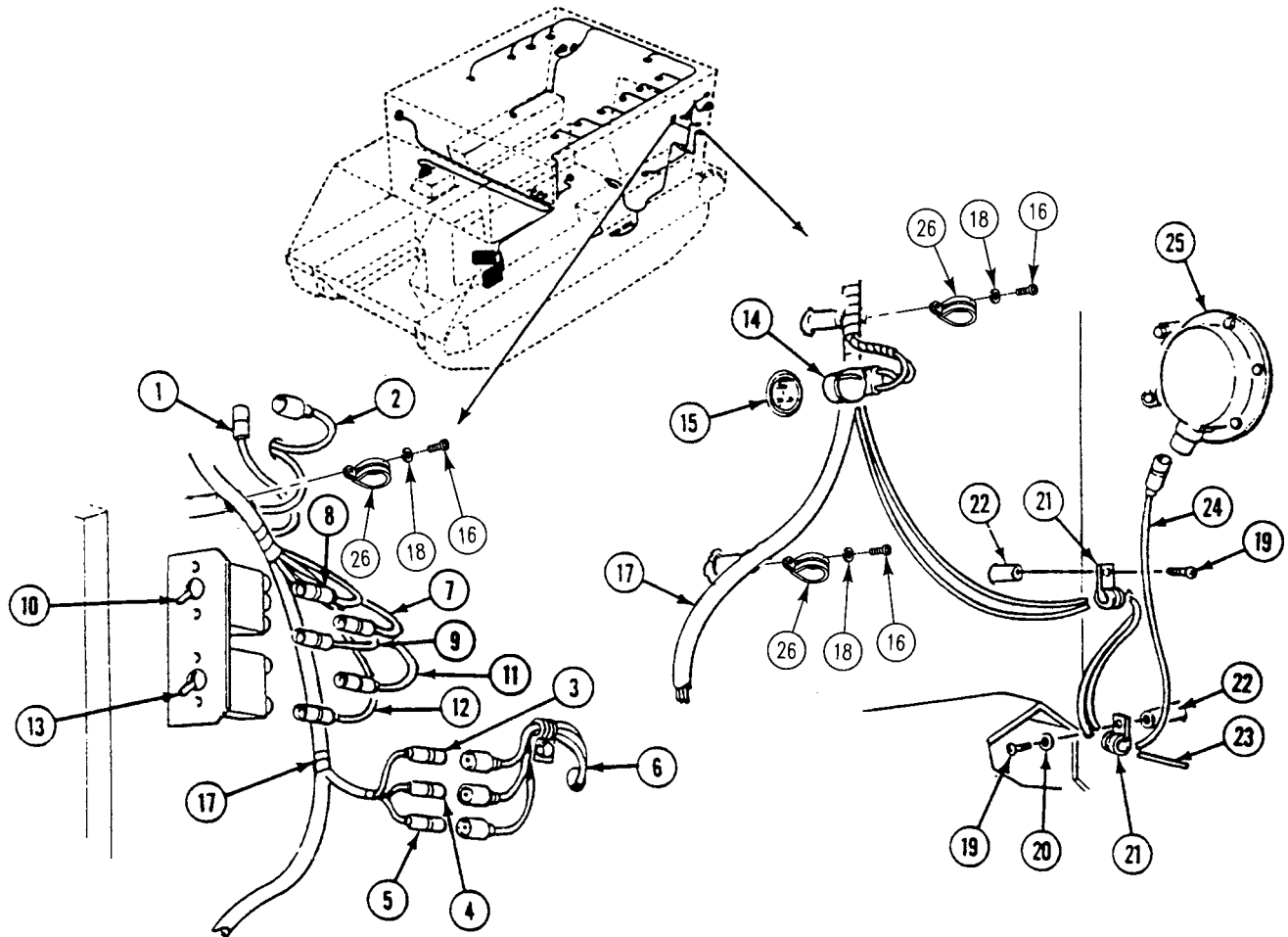
14. Remove eight screws (21), nuts (22), and two circuit 48 connectors (23) from bracket (24).



REPLACE REAR MAIN WIRING HARNESS (M577A3 ONLY) — Continued

0363 00

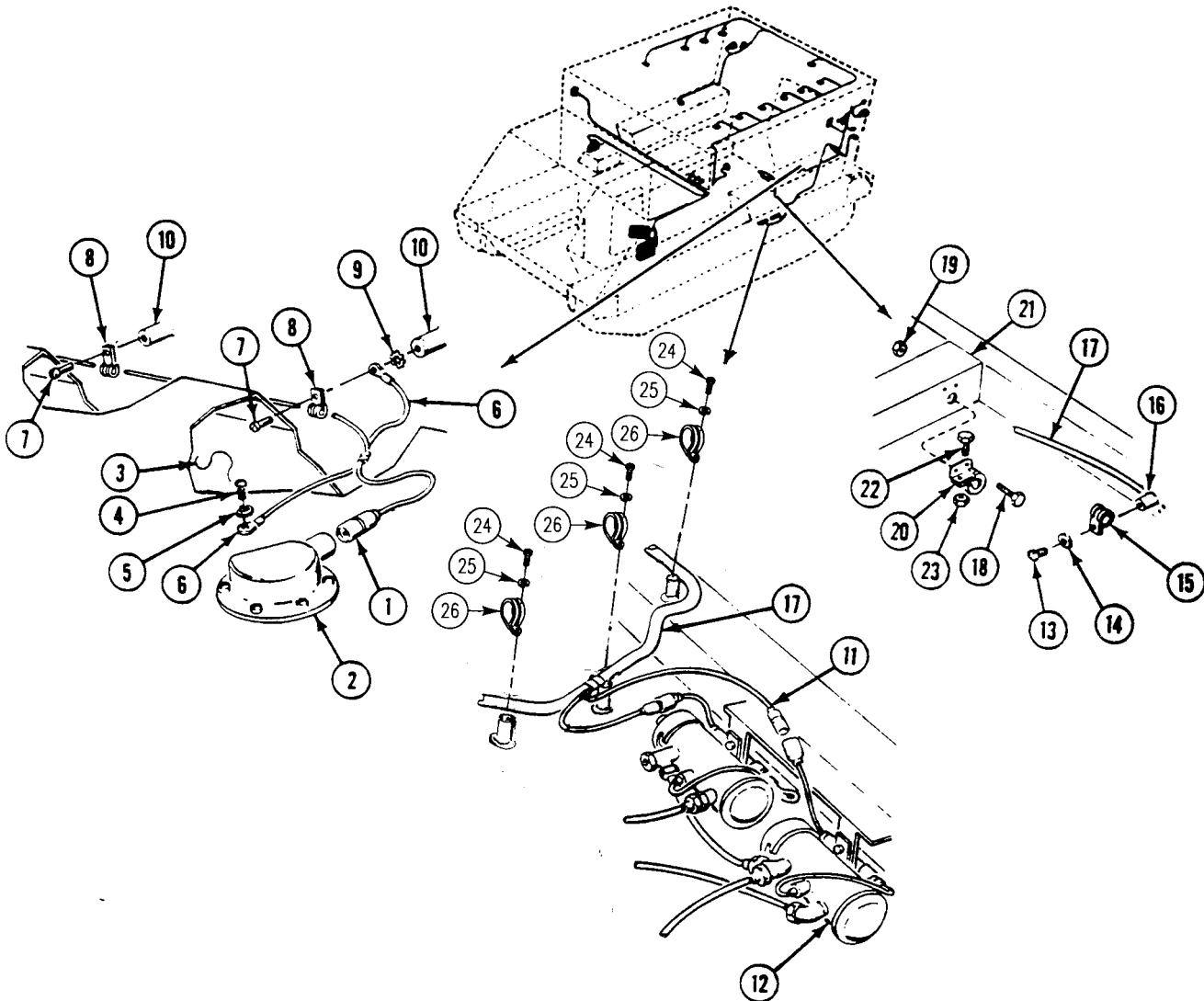
15. Disconnect circuit 37B lead (1) from left utility outlet lead (2).
16. Disconnect circuit 21 lead (3), circuit 22 lead (4), and circuit 24 lead (5) from left tail light leads (6).
17. Disconnect circuit 38 lead (7), circuit 38A lead (8), and circuit 38E lead (9) from dome light switch (10).
18. Disconnect circuit 38C lead (11) and circuit 38E lead (12) from blackout dome light switch (13).
19. Disconnect circuit 509 and 509A connector (14) from buzzer switch (15).
20. Remove seven screws (16), lockwashers (18), clamps (26), and rear main wiring harness (17) from seven weldnuts. Discard lockwashers.
21. Remove two screws (19), one lockwasher (20), and two clamps (21), from two weldnuts (22). Remove clamps (21) from circuit 30 lead (23) and circuit 509 lead (24). Discard lockwasher.
22. Disconnect circuit 509 lead (24) from buzzer (25).



REPLACE REAR MAIN WIRING HARNESS (M577A3 ONLY) — Continued

0363 00

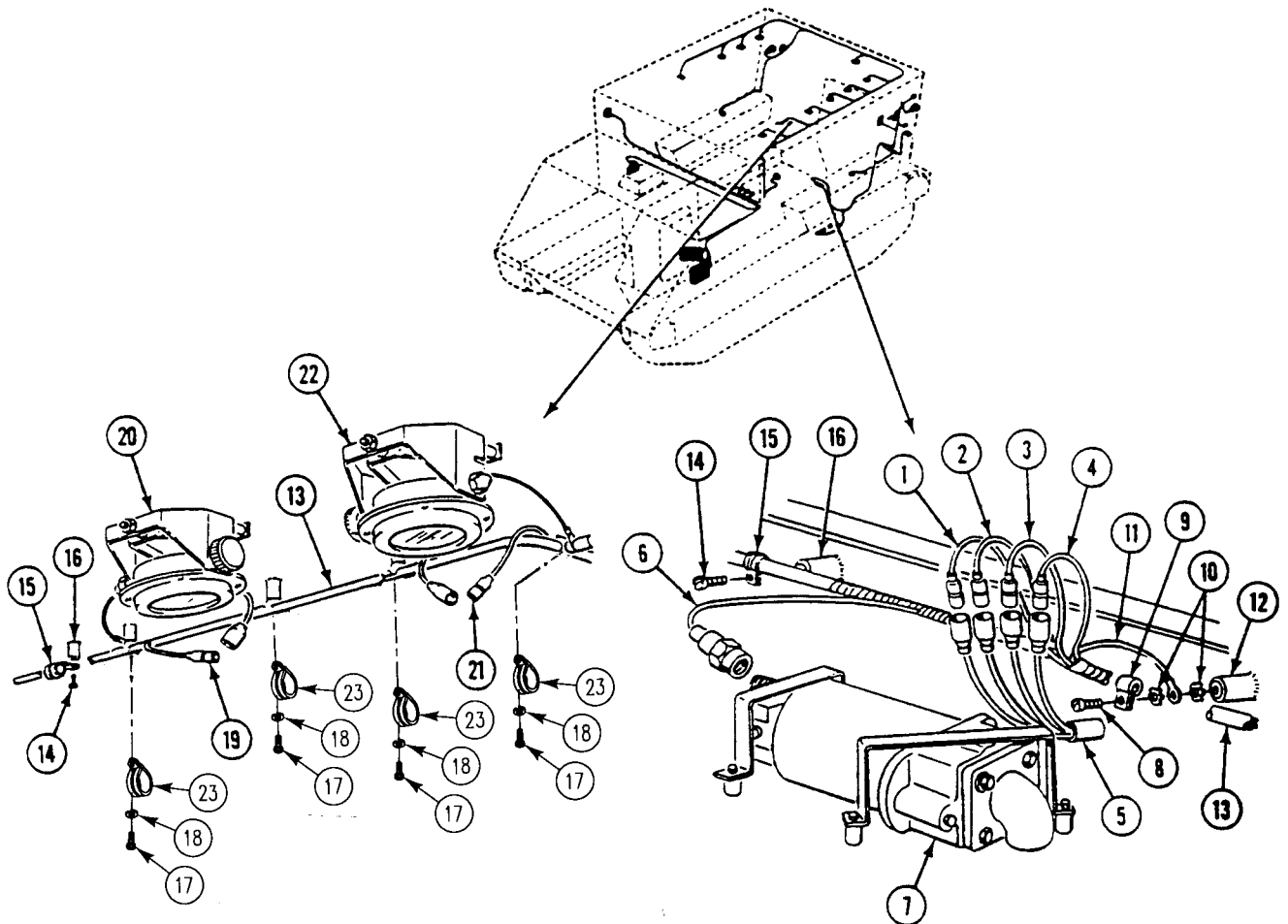
23. Disconnect circuit 30 lead (1) from left fuel quantity sending unit (2).
24. Remove lockwire (3), one screw (4), lockwasher (5), and ground lead (6) from sending unit (2). Discard lockwire and lockwasher.
25. Remove two screws (7), clamps (8), lockwashers (9), and ground lead (6) from two weldnuts (10). Remove clamps (8) from circuit 30 lead (1). Discard lockwashers.
26. Disconnect circuit 402 lead (11) from personnel heater fuel pump (12).
27. Remove screw (13), lockwasher (14), and clamp (15) from weldnut (16). Remove clamp (15) from rear main wiring harness (17). Discard lockwasher.
28. Remove two screws (18), nuts (19), clamp (20), and rear main wiring harness (17) from floor transverse beam (21).
29. Remove screw (22), nut (23), and clamp (20) from rear main wiring harness (17).
30. Remove three screws (24), lockwashers (25), clamps (26), and rear main wiring harness (17) from three weldnuts.



REPLACE REAR MAIN WIRING HARNESS (M577A3 ONLY) — Continued

0363 00

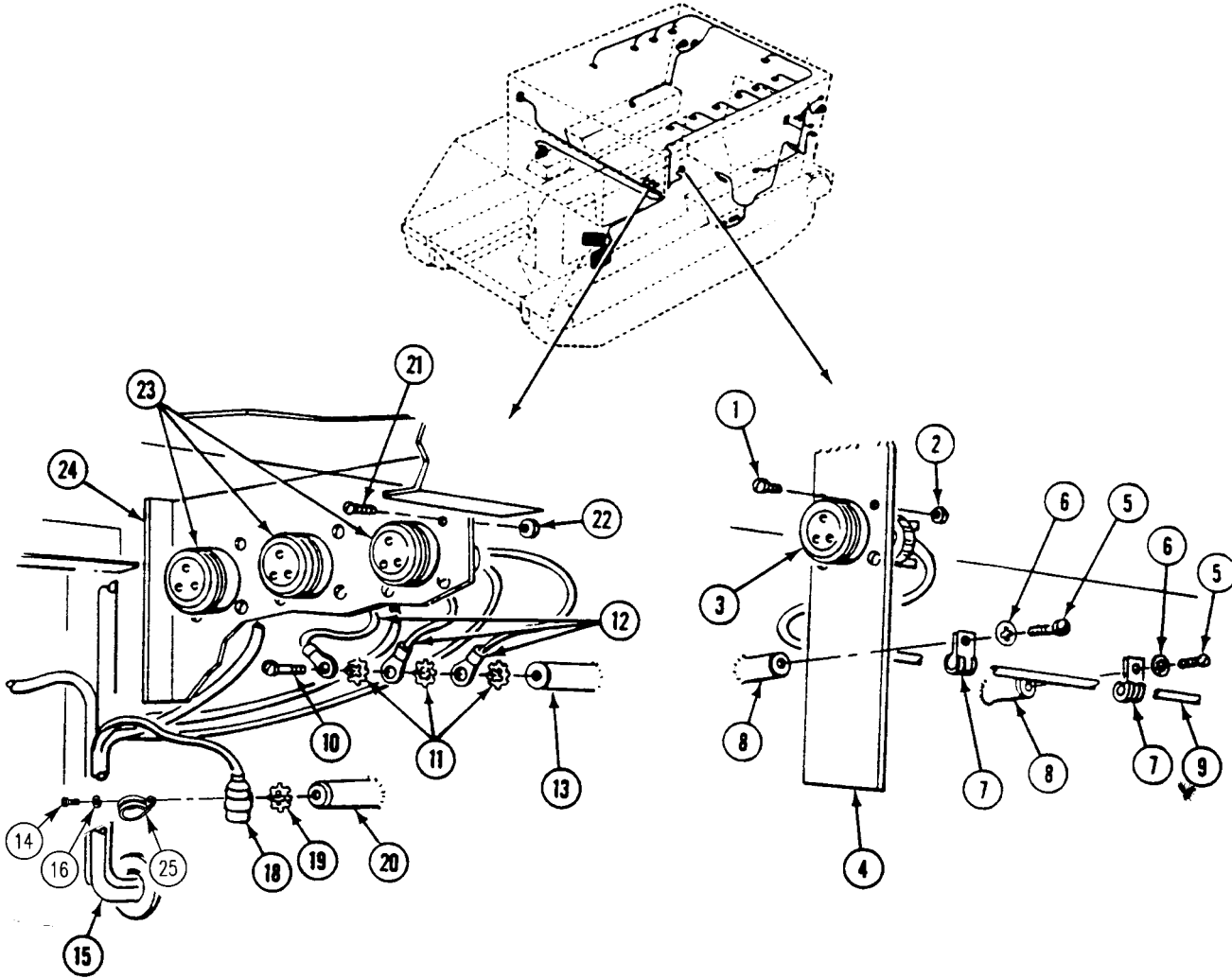
31. Disconnect circuit 21 lead (1), circuit 22 lead (2), circuit 23 lead (3), and circuit 24 lead (4) from trailer wiring harness (5).
32. Disconnect circuit 451 lead (6) from rear bilge pump (7).
33. Remove screw (8), clamp (9), two lockwashers (10), and trailer wiring harness ground lead (11) from weldnut (12). Remove clamp (9) from rear main wiring harness (13). Discard lockwashers.
34. Pull circuit 21 lead (1), circuit 22 lead (2), circuit 23 lead (3), circuit 24 lead (4) and circuit 451 lead (6) through opening in transverse beam.
35. Remove two screws (14) and clamps (15) from two weldnuts (16). Remove clamps (15) from rear main wiring harness (13).
36. Remove eight screws (17), lockwashers (18), clamps (23), and rear main wiring harness (13) from eight weldnuts.
37. Disconnect circuit 38C lead (19) from left dome light (20).
38. Disconnect circuit 38B lead (21) from front blackout light (22).



REPLACE REAR MAIN WIRING HARNESS (M577A3 ONLY) — Continued

0363 00

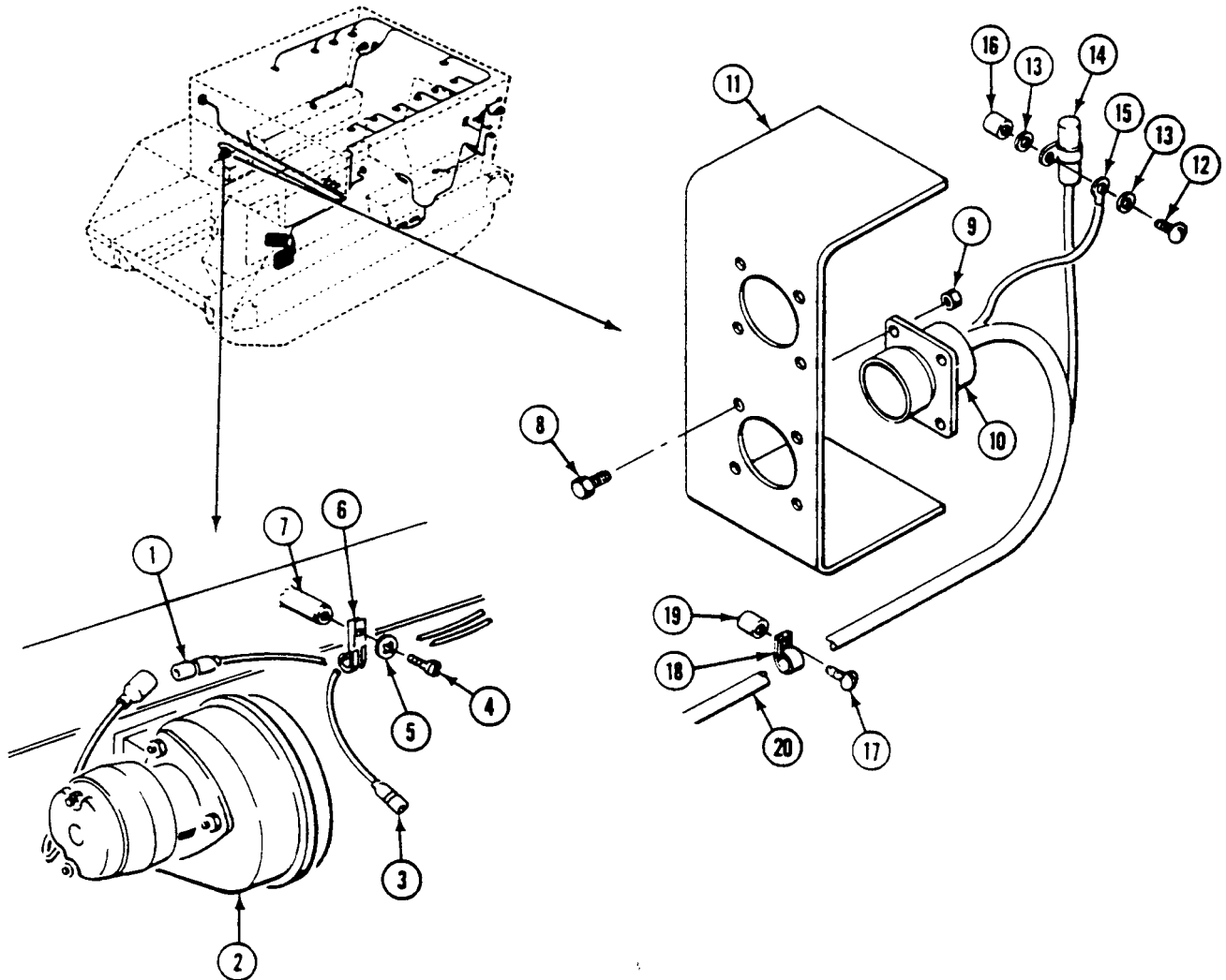
39. Remove four screws (1), nuts (2), and circuit 48A connector (3) from bracket (4).
40. Remove two screws (5), lockwashers (6), and clamps (7) from two weldnuts (8). Remove clamps (7) from circuit 48A lead (9). Discard lockwashers.
41. Remove screw (10), three lockwashers (11), and ground leads (12) from weldnut (13). Discard lockwashers.
42. Remove screw (14), lockwasher (16), clamp (25), rear main wiring harness (15), circuit 48C capacitor (18), and lockwasher (19) from weldnut (20). Discard lockwashers.
43. Remove 12 screws (21), nuts (22), and 3 circuit 48 connectors (23) from bracket (24).



REPLACE REAR MAIN WIRING HARNESS (M577A3 ONLY) — Continued

0363 00

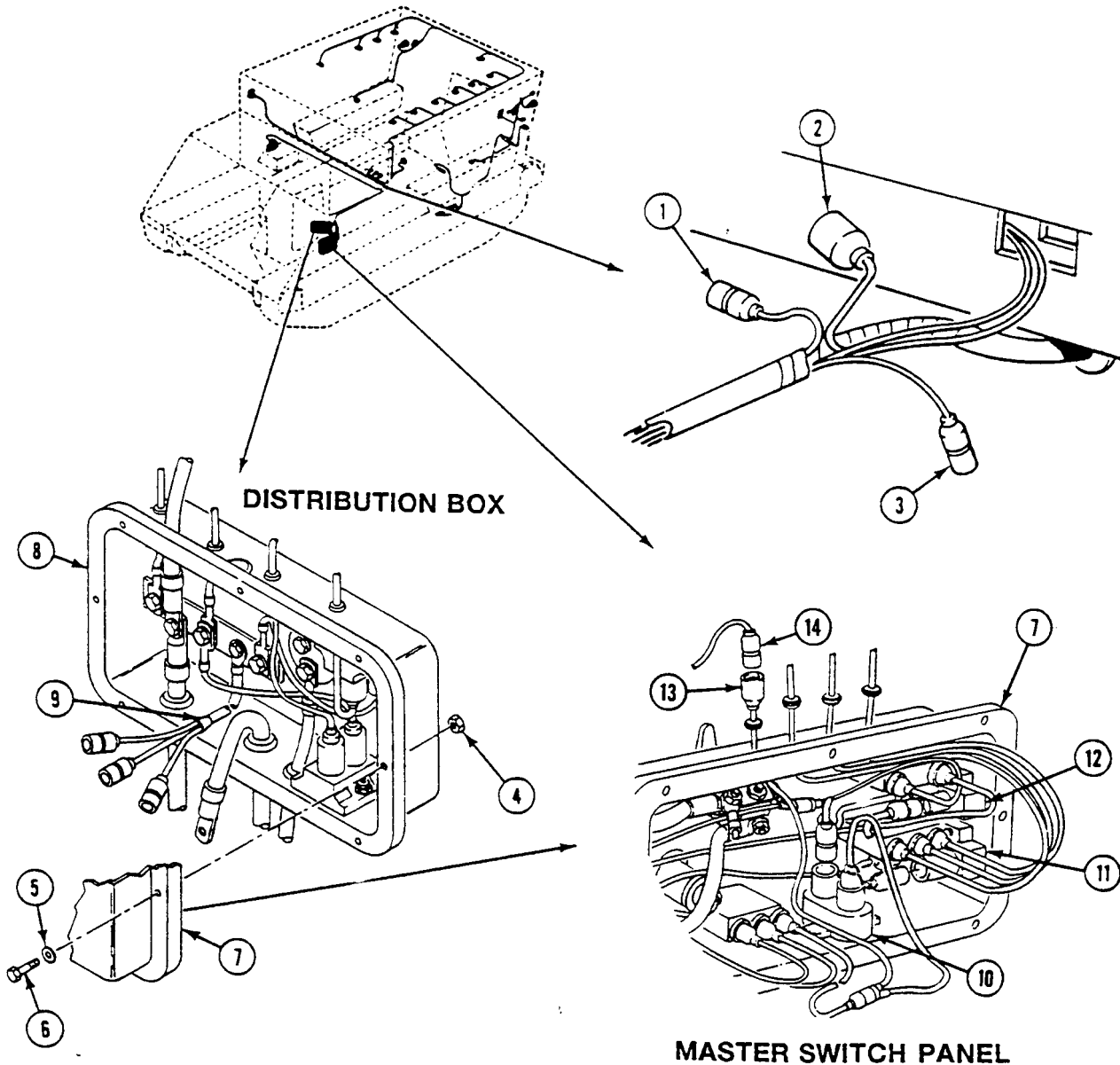
44. Disconnect circuit 59 lead (1) from blower (2).
45. If NBC unit is installed, disconnect circuit 415 lead (3) from NBC unit.
46. Remove screw (4), lockwasher (5), and clamp (6) from weldnut (7). Remove clamp (6) from circuit 59 lead (1) and circuit 415 lead (3). Discard lockwasher.
47. Remove four screws (8), nuts (9), and circuit 48 connector (10) from bracket (11).
48. Remove screw (12), two lockwashers (13), circuit 48 capacitor (14), and ground lead (15) from weldnut (16). Discard lockwashers.
49. Remove six screws (17) and clamps (18) from six weldnuts (19). Remove clamps (18) from circuit 48 lead (20).



REPLACE REAR MAIN WIRING HARNESS (M577A3 ONLY) — Continued

0363 00

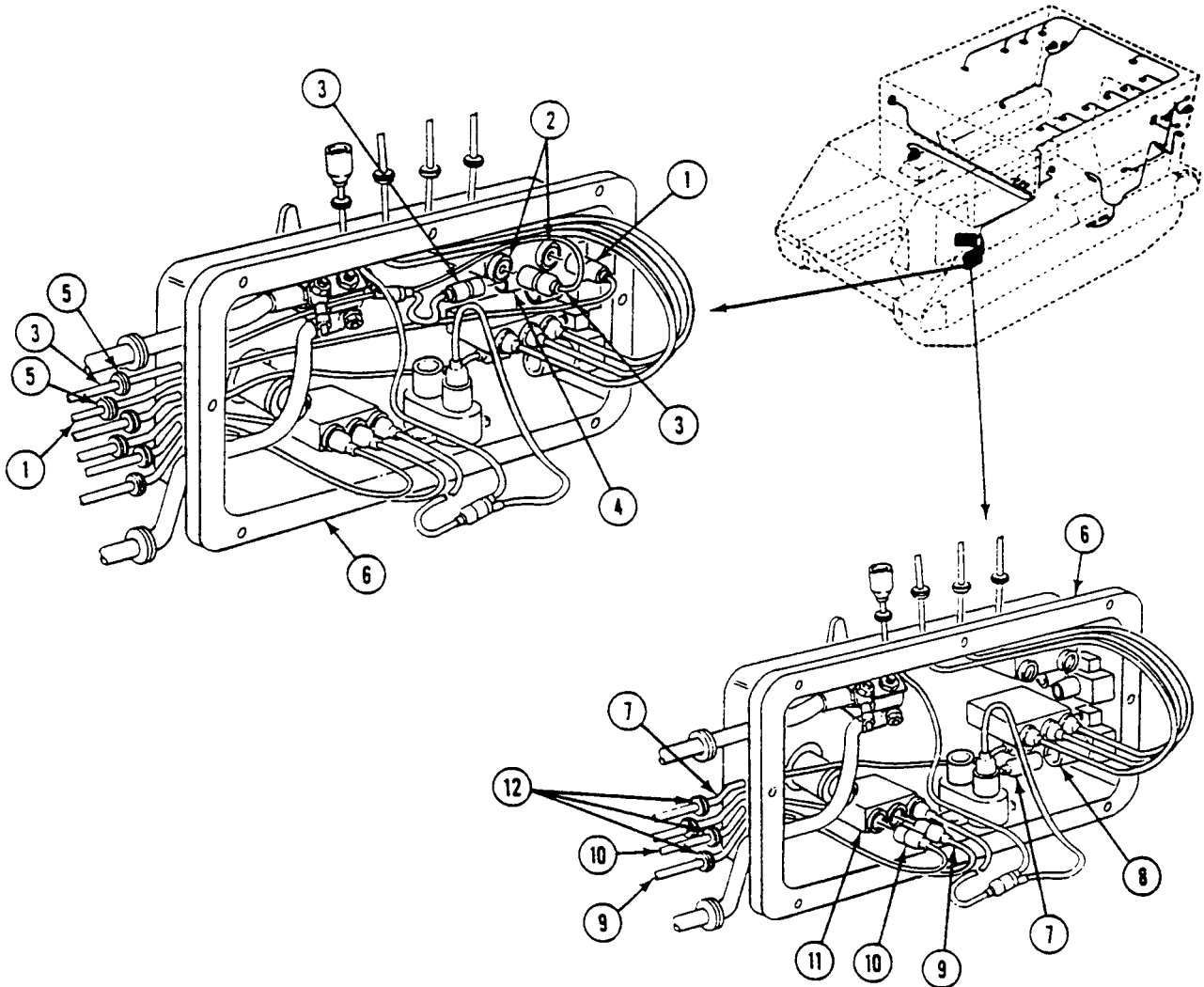
50. Disconnect circuit 400 lead (1) from personnel heater control box.
51. Disconnect circuit 402 lead (2) from personnel heater wiring harness.
52. If NBC unit is installed, disconnect circuit 415 lead (3) from NBC unit.
53. Remove eight locknuts (4), washers (5), and screws (6). Separate master switch panel (7) from distribution box (8). Discard locknuts.
54. Disconnect wiring harness circuit 10 (9) in distribution box (8) from three circuit breakers (10)(11)(12) in master switch panel (7).
55. Disconnect wiring harness (13) from circuit 38E lead (14).



REPLACE REAR MAIN WIRING HARNESS (M577A3 ONLY) — Continued

0363 00

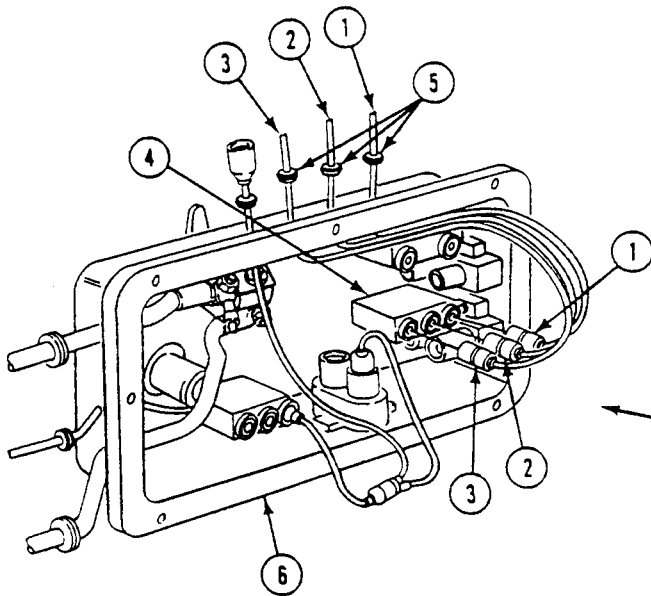
56. Disconnect circuit 59 lead (1) from blower switch (2).
57. Disconnect circuit 37B leads (3) from blower switch (2) and circuit breaker (4).
58. Remove circuit 59 lead (1) and circuit 37B lead (3) and two grommets (5) from master switch panel (6). Discard grommets.
59. Disconnect circuit 37A lead (7) from circuit breaker (8).
60. Disconnect circuit 38 lead (9) and circuit 38A lead (10) from dome light switch (11).
61. Remove circuit 37A lead (7), circuit 38 lead (9), and circuit 38A lead (10) and three grommets (12) from master switch panel (6). Discard grommets.



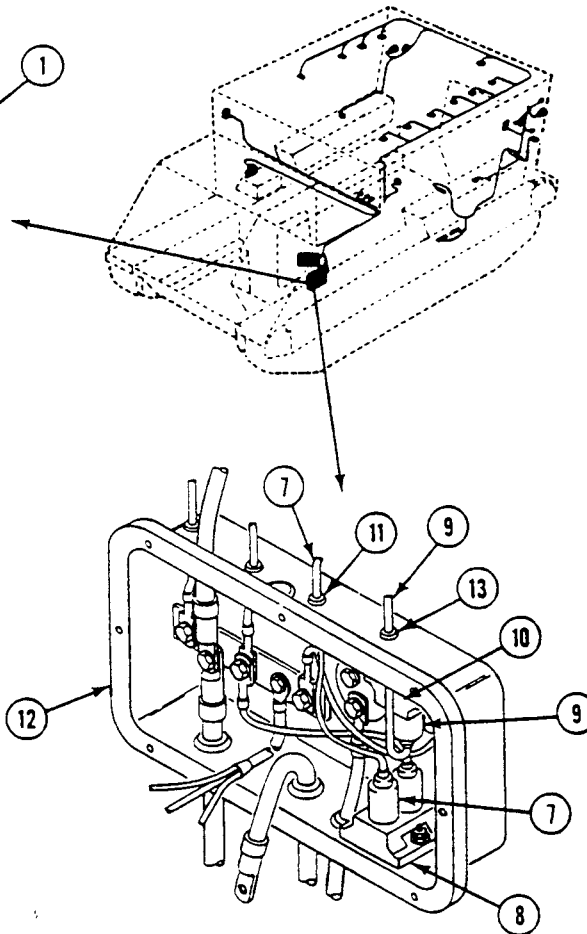
REPLACE REAR MAIN WIRING HARNESS (M577A3 ONLY) — Continued

0363 00

62. Disconnect circuit 28 lead (1), circuit 29 lead (2), and circuit 30 lead (3) from fuel selector switch (4).
63. Remove circuit 28 lead (1), circuit 29 lead (2), circuit 30 lead (3) and three grommets (5) from master switch panel (6). Discard grommets.
64. Disconnect circuit 450 lead (7) from circuit breaker (8).
65. Disconnect circuit 450B lead (9) from circuit breaker (10).
66. Remove circuit 450 lead (7) and grommet (11) from distribution box (12). Discard grommet.
67. Remove circuit 450B lead (9) and grommet (13) from distribution box (12). Discard grommet.



MASTER SWITCH PANEL

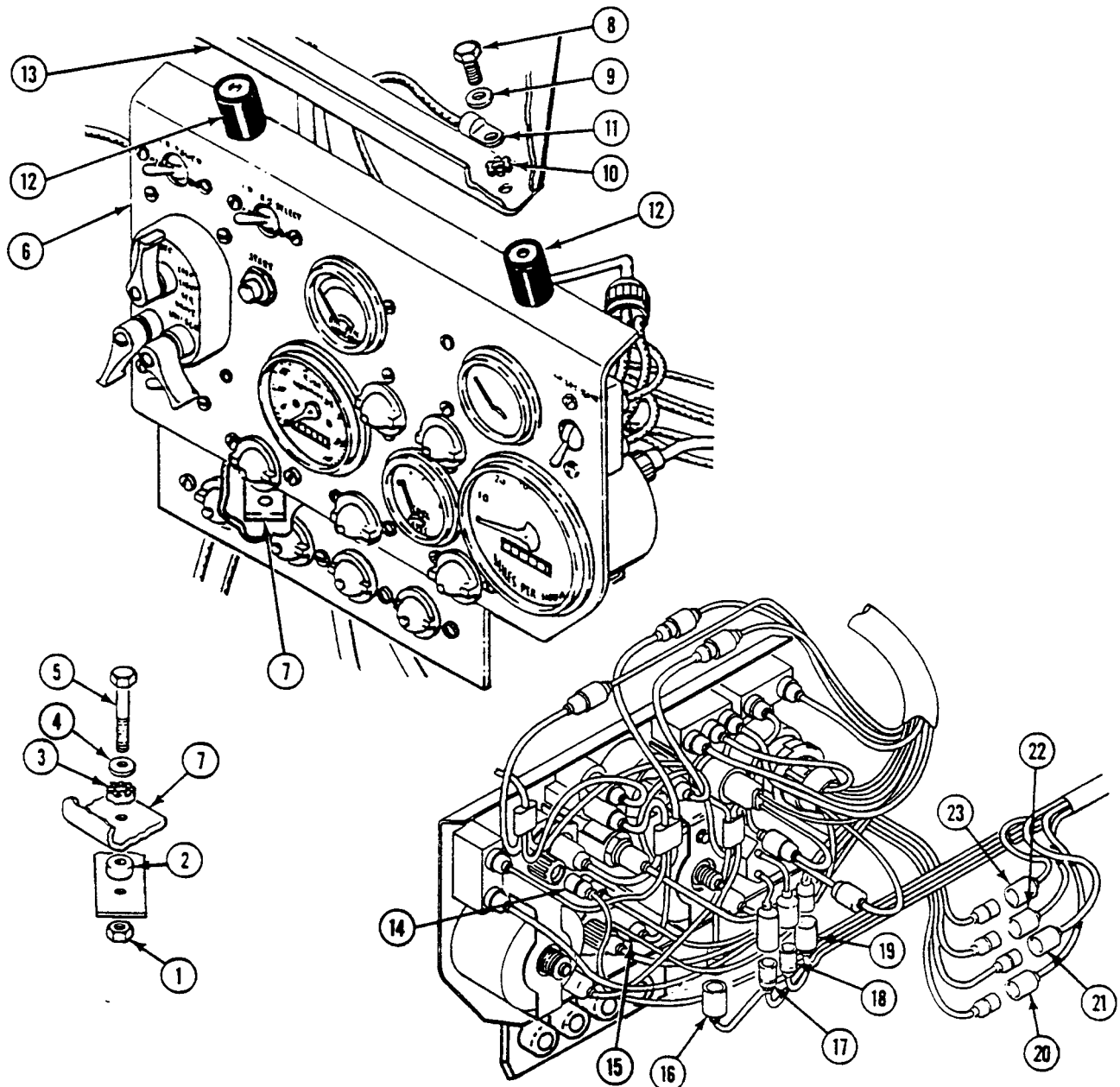


DISTRIBUTION BOX

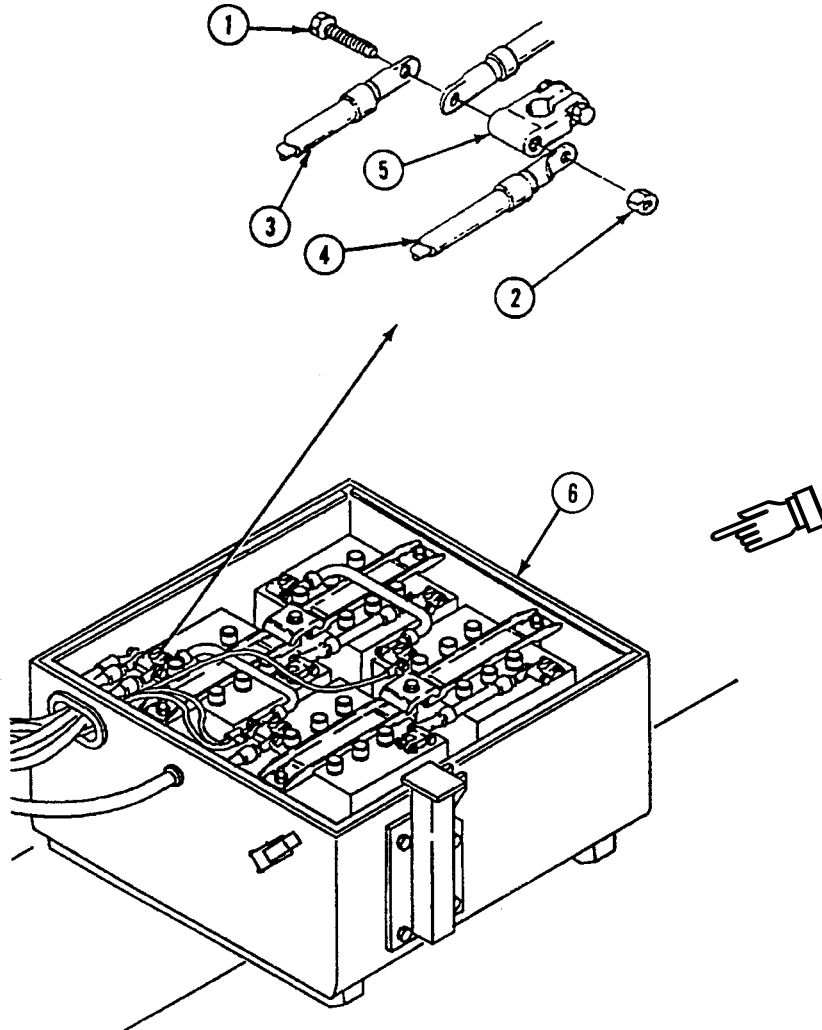
REPLACE REAR MAIN WIRING HARNESS (M577A3 ONLY) — Continued

0363 00

68. Remove two nuts (1), mounts (2)(3), flat washers (4), and screws (5) that secure instrument panel (6) to two struts (7).
69. Support panel (6). Remove two screws (8), flat washers (9), one lockwasher (10), and ground lead (11), from two mounts (12) and upper support (13). Discard lockwasher.
70. Support panel (6) on two struts (7) to gain access to rear of panel.
71. Disconnect circuit 28 lead (14) from fuel gage.
72. Disconnect circuit 451B lead (15) from rear bilge pump ON indicator light.
73. Disconnect circuit 38 lead (16) from instrument panel wiring harness.
74. Disconnect circuit 450 lead (17), circuit 450B lead (18), and circuit 451A lead (19) from bilge pump switch.
75. Disconnect circuit 21 lead (20), circuit 22 lead (21), circuit 23 lead (22), and circuit 24 lead (23) from front main wiring harness.



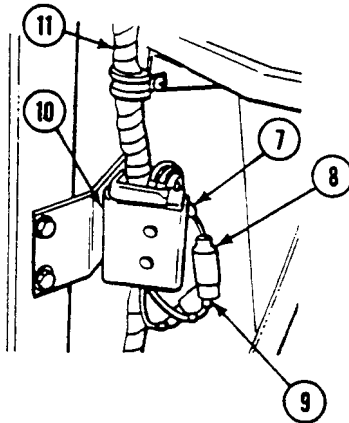
76. Remove screw (1), nut (2), and circuit 6 lead (3) and circuit 48B lead (4) from terminal (5).
77. Remove circuit 48B lead (4) and circuit 6 lead (3) from battery box (6).



REPLACE REAR MAIN WIRING HARNESS (M577A3 ONLY) — Continued

0363 00

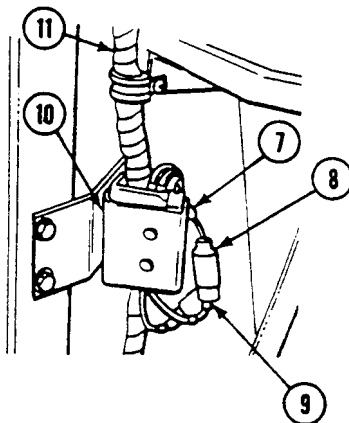
78. Disconnect circuit 38 lead (7), circuit 38B lead (8), and circuit 3C lead (9) from door switch (10).
79. Remove rear main wiring harness (11) from carrier.

**INSPECTION AND REPAIR**

1. Inspect for damaged connectors and terminals. Repair as needed (WP 0382 00).

INSTALLATION

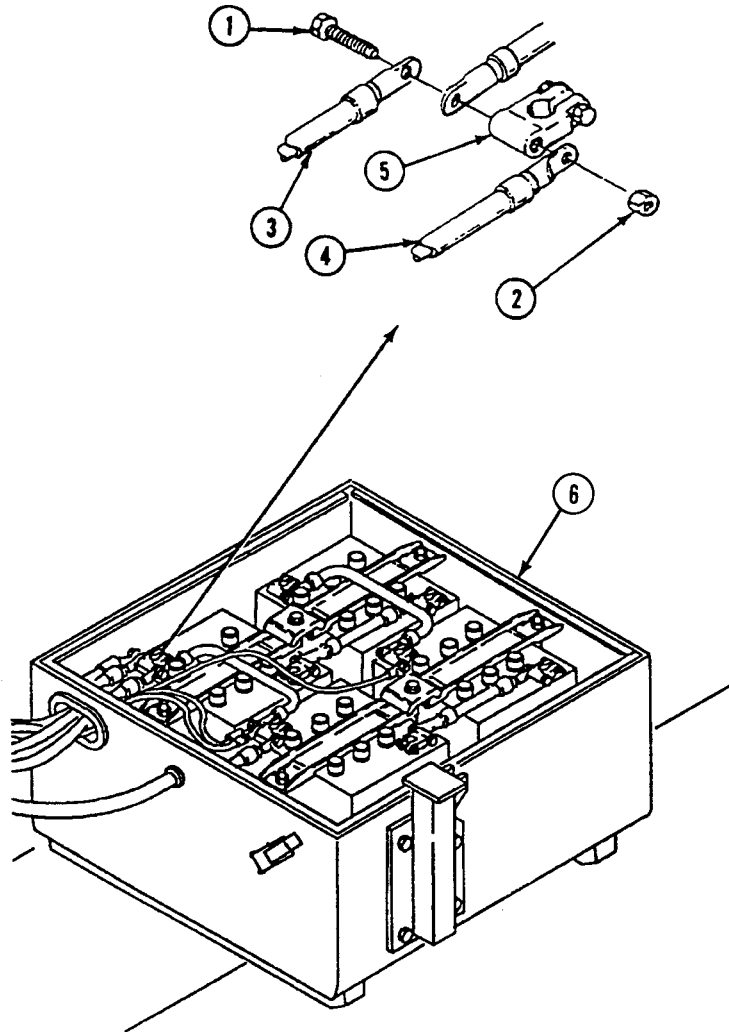
1. Install rear main wiring harness (11) in carrier.
2. Connect circuit 38 lead (7), circuit 38B lead (8), and circuit 3C lead (9) to ramp door switch (10).



NOTE

Ensure battery terminal has three leads attached before tightening screw and nut.

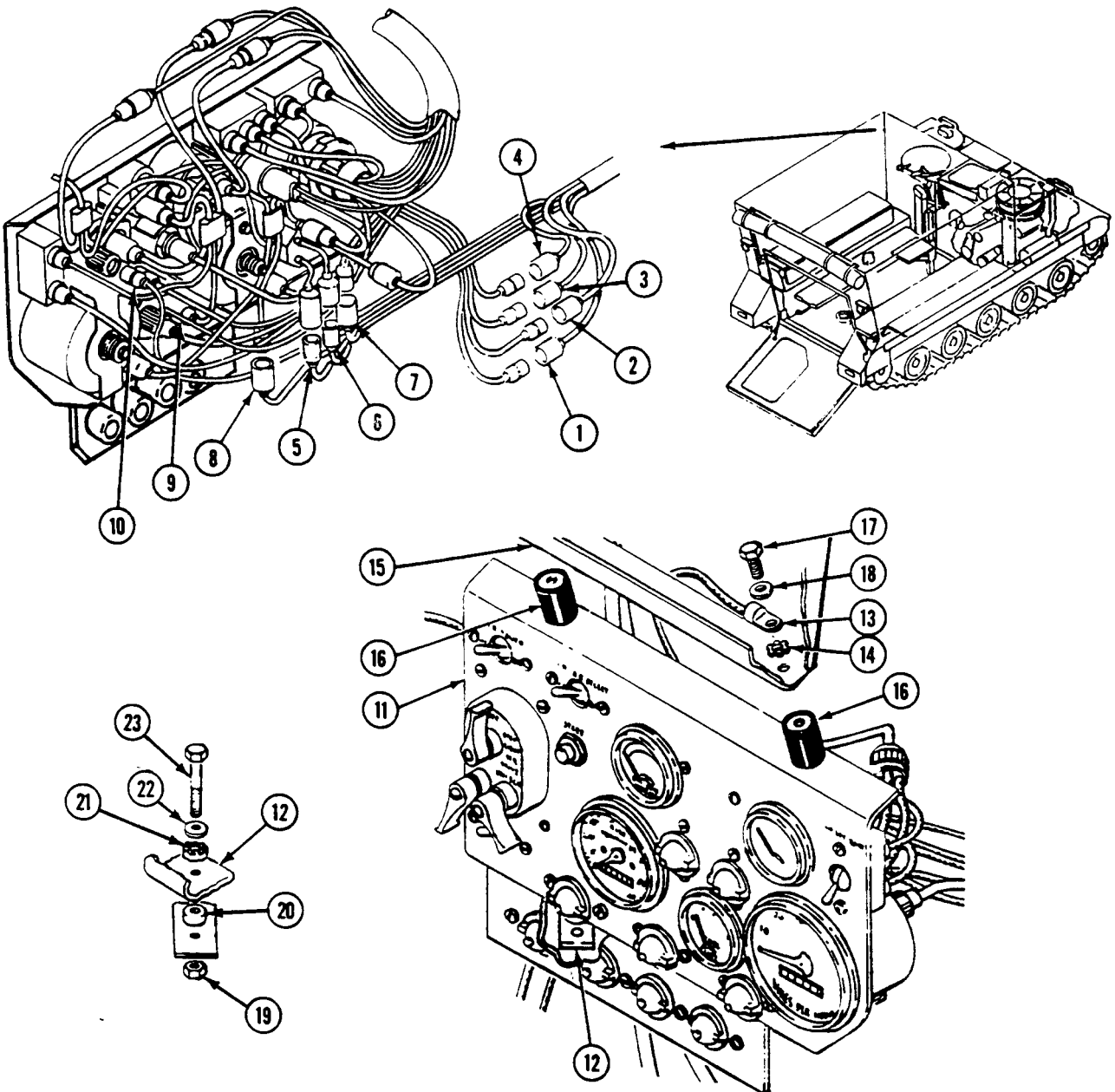
3. Install circuit 6 lead (3) and circuit 48B lead (4) through grommet (12). Connect three leads to battery terminal (5) with screw (1) and nut (2).



REPLACE REAR MAIN WIRING HARNESS (M577A3 ONLY) — Continued

0363 00

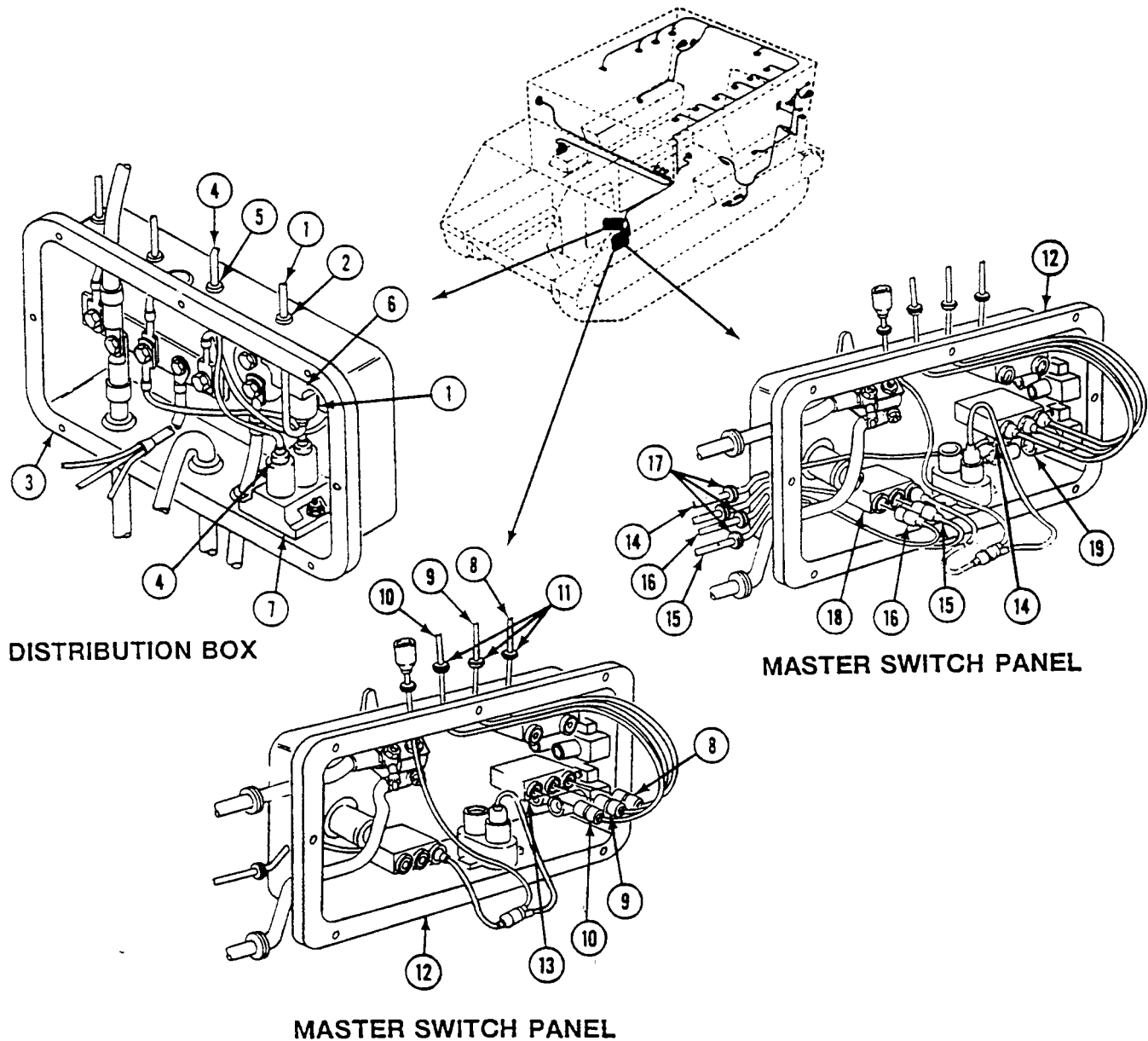
4. Connect circuit 21 lead (1), circuit 22 lead (2), circuit 23 lead (3), and circuit 24 lead (4) to front main wiring harness.
5. Connect circuit 450 lead (5), circuit 450B lead (6), and circuit 451A lead (7) to bilge pump switch.
6. Connect circuit 38 lead (8) to instrument panel wiring harness.
7. Connect circuit 451B lead (9) to rear bilge pump ON indicator light.
8. Connect circuit 28 lead (10) to fuel gage.
9. Support instrument panel (11) on two struts (12).
10. Install ground lead (13) and new lockwasher (14) on upper support (15). Install panel (11) with two mounts (16) on upper support (15). Secure with two screws (17) and flat washers (18).
11. Install panel (11) on two struts (12). Secure with two nuts (19), mounts (20)(21), flat washers (22), and screws (23).



REPLACE REAR MAIN WIRING HARNESS (M577A3 ONLY) — Continued

0363 00

12. Install circuit 450B lead (1) and new grommet (2) in distribution box (3).
13. Install circuit 450 lead (4) and new grommet (5) in distribution box (3).
14. Connect circuit 450B lead (1) to circuit breaker (6).
15. Connect circuit 450 lead (4) to circuit breaker (7).
16. Install circuit 28 lead (8), circuit 29 lead (9), and circuit 30 lead (10) and three new grommets (11) in master switch panel (12).
17. Connect circuit 28 lead (8), circuit 29 lead (9), and circuit 30 lead (10) to fuel selector switch (13).
18. Install circuit 37A lead (14), circuit 38 lead (15), and circuit 38A lead (16) and three new grommets (17) in master switch panel (12).
19. Connect circuit 38 lead (15) and circuit 38A lead (16) to dome light switch (18).
20. Connect circuit 37A lead (14) to circuit breaker (19).



DISTRIBUTION BOX

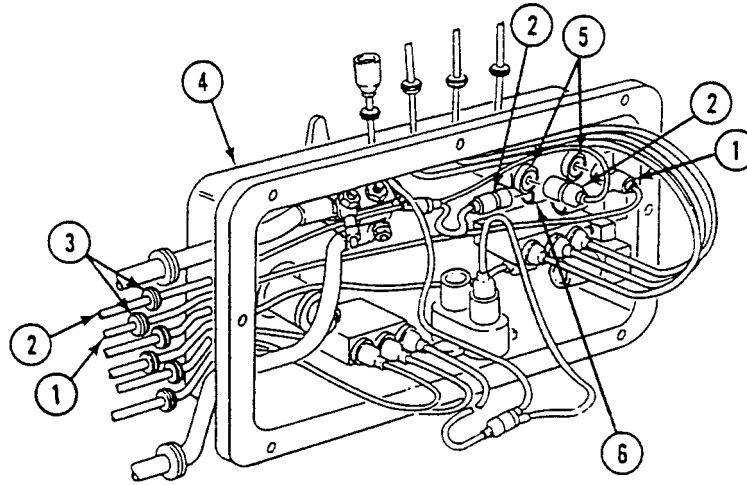
MASTER SWITCH PANEL

MASTER SWITCH PANEL

REPLACE REAR MAIN WIRING HARNESS (M577A3 ONLY) — Continued

0363 00

21. Install circuit 59 lead (1) and circuit 37B lead (2) and two grommets (3) in master switch panel (4).
22. Connect circuit 37B lead (2) to blower switch (5) and circuit breaker (6).
23. Connect circuit 59 lead (1) to blower switch (5).

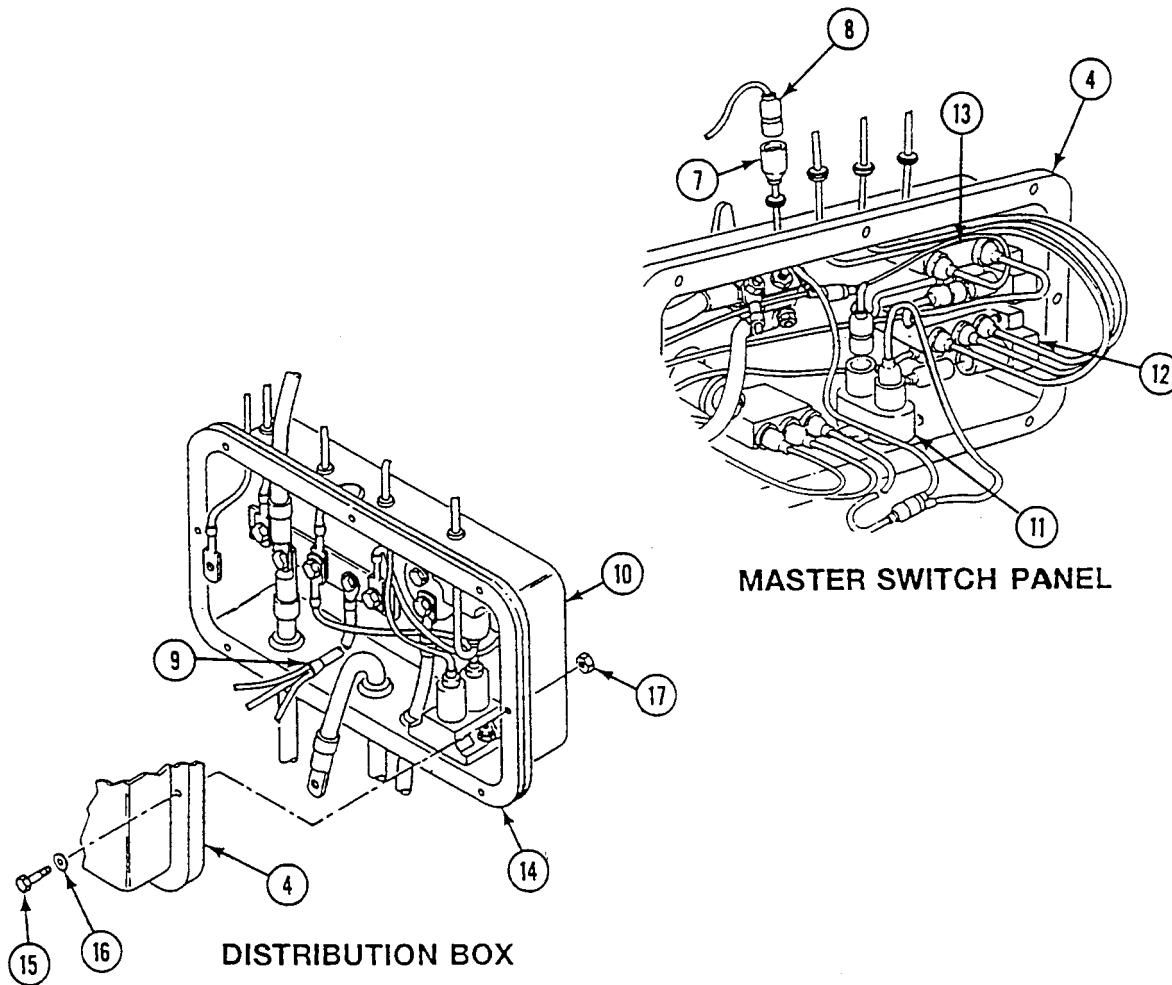
**MASTER SWITCH PANEL**

24. Connect wiring harness (7) to circuit 38E lead (8).
25. Connect wiring harness circuit 10 (9) in distribution box (10) to three circuit breakers (11)(12)(13), in master switch panel (4).

NOTE

Inspect gasket. Replace if damaged.

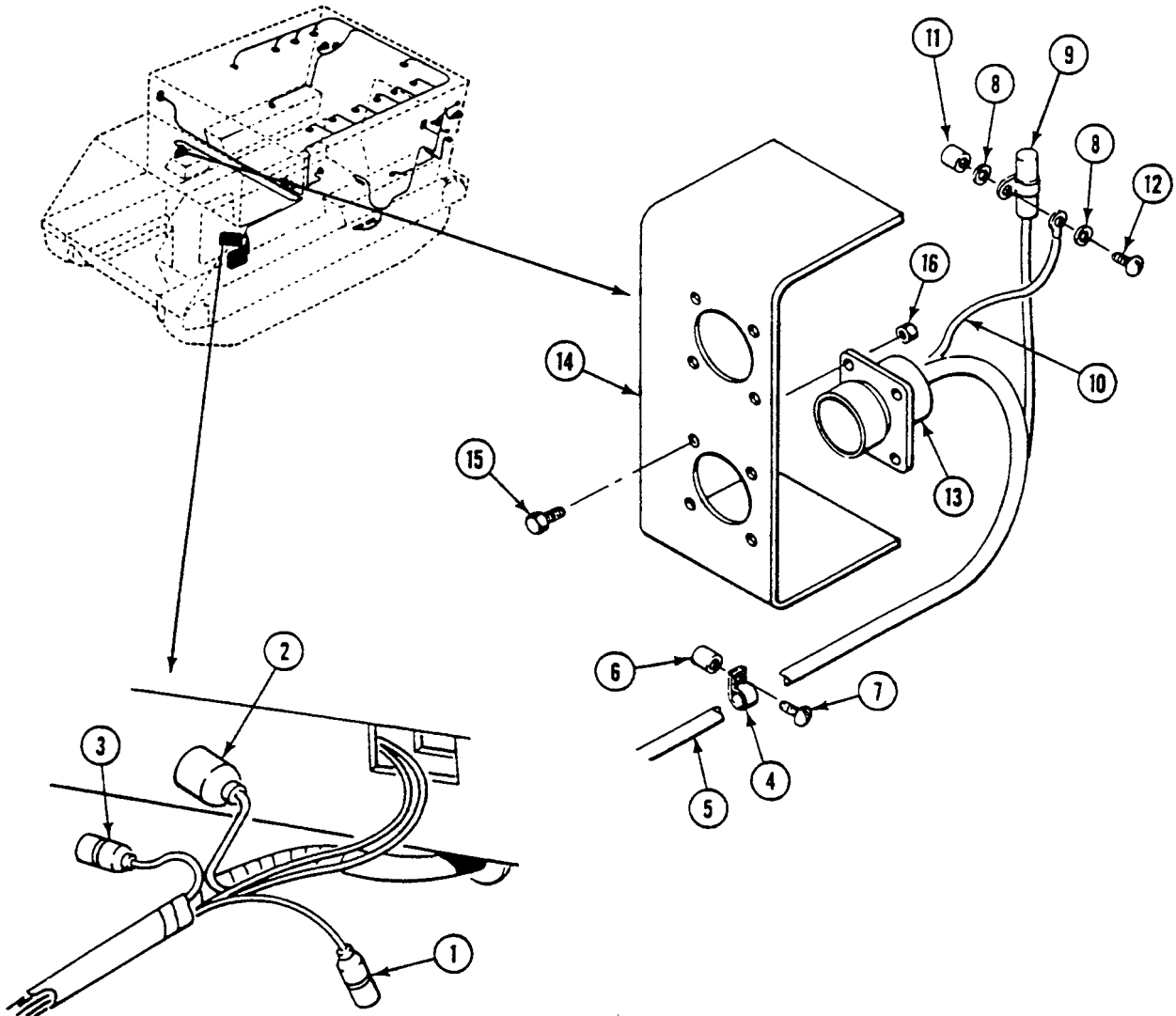
26. Install master switch panel (4) and gasket (14) on distribution box (10). Secure with eight screws (15), washers (16), and new locknuts (17).



REPLACE REAR MAIN WIRING HARNESS (M577A3 ONLY) — Continued

0363 00

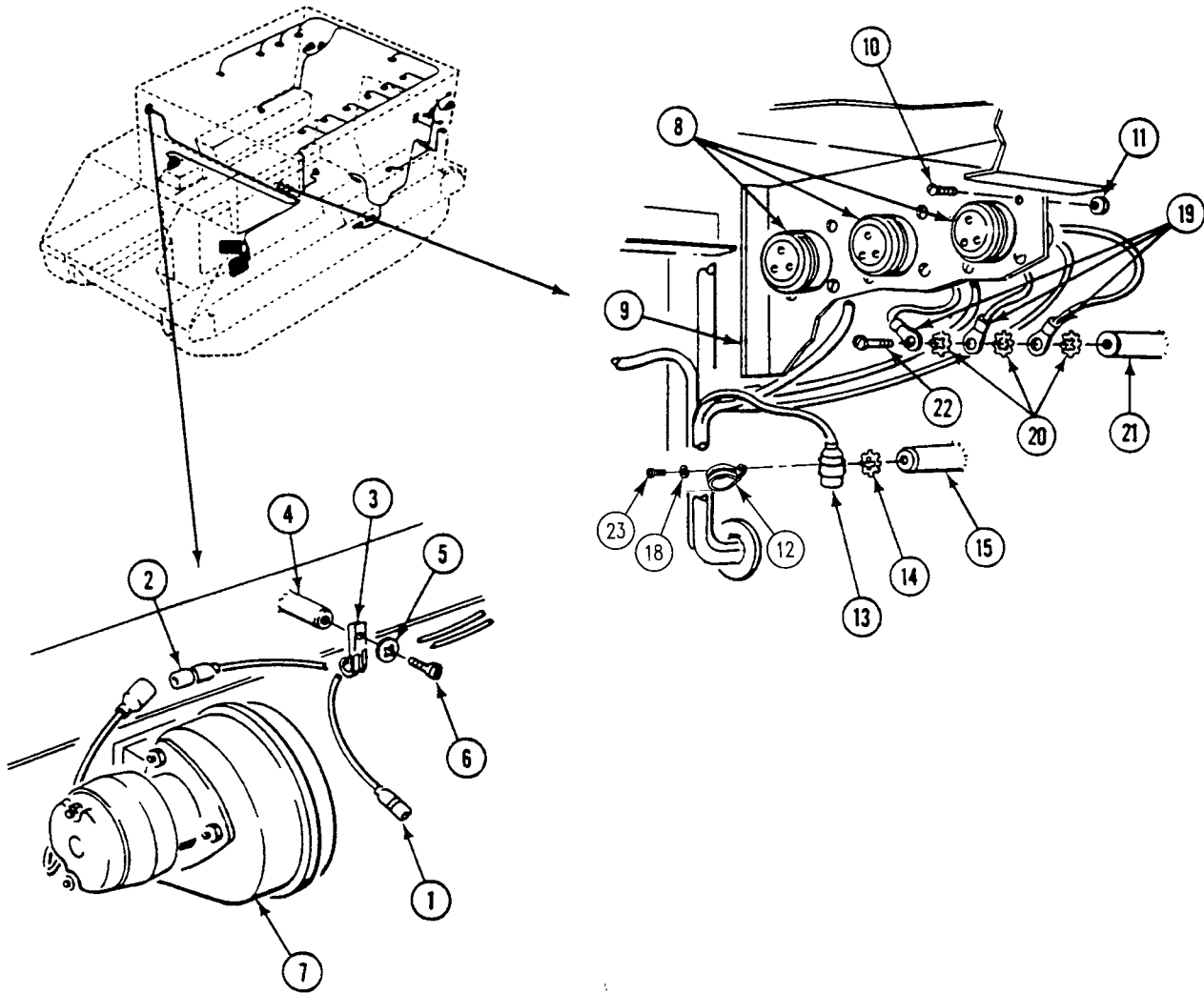
27. If NBC unit is installed, connect circuit 415 lead (1) to NBC unit.
28. Connect circuit 402 lead (2) to personnel heater wiring harness.
29. Connect circuit 400 lead (3) to personnel heater control box.
30. Install six clamps (4) on circuit 48 lead (5). Secure clamps (4) to six weldnuts (6) with six screws (7).
31. Install two new lockwashers (8), circuit 48 capacitor (9), and ground lead (10) on weldnut (11). Secure with screw (12).
32. Install circuit 48 lead connector (13) on bracket (14). Secure with four screws (15) and nuts (16).



REPLACE REAR MAIN WIRING HARNESS (M577A3 ONLY) — Continued

0363 00

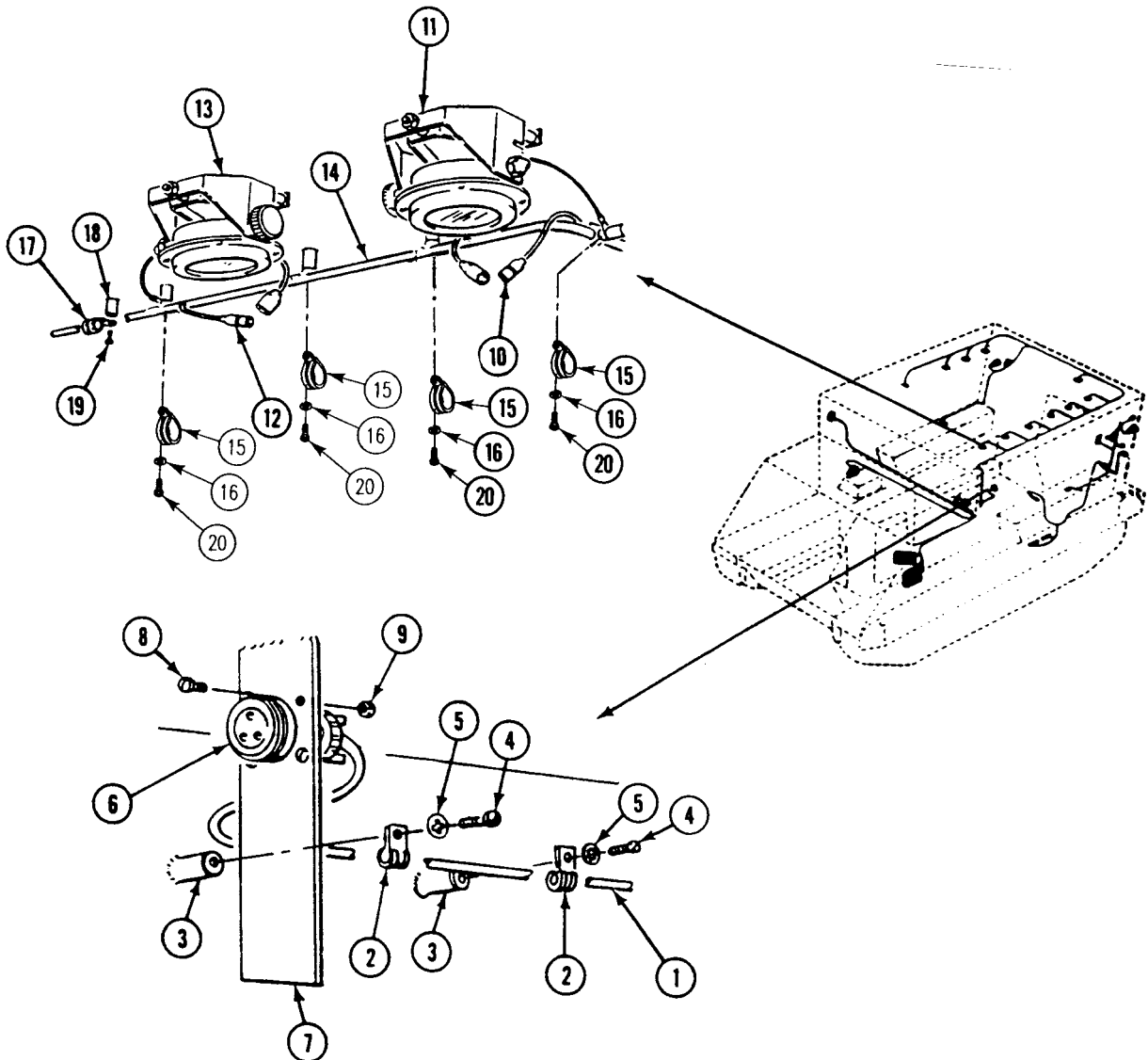
33. Install circuit 415 lead (1) and circuit 59 lead (2) in clamp (3). Secure clamp (3) on weldnut (4) with new lockwasher (5) and screw (6).
34. If NBC unit is installed, connect circuit 415 lead (1) to NBC unit.
35. Connect circuit 59 lead (2) to blower (7).
36. Install three circuit 48 connectors (8) on bracket (9). Secure with 12 screws (10) and nuts (11).
37. Install clamp (12), circuit 48C capacitor (13), and new lockwasher (14) on weldnut (15). Secure with screw (16).
38. Install rear main wiring harness (17) on weldnut. Secure clamp (12) with new lockwasher (18) and screw (23).
39. Install three ground leads (19) and new lockwashers (20) on weldnut (21). Secure with screw (22).



REPLACE REAR MAIN WIRING HARNESS (M577A3 ONLY) — Continued

0363 00

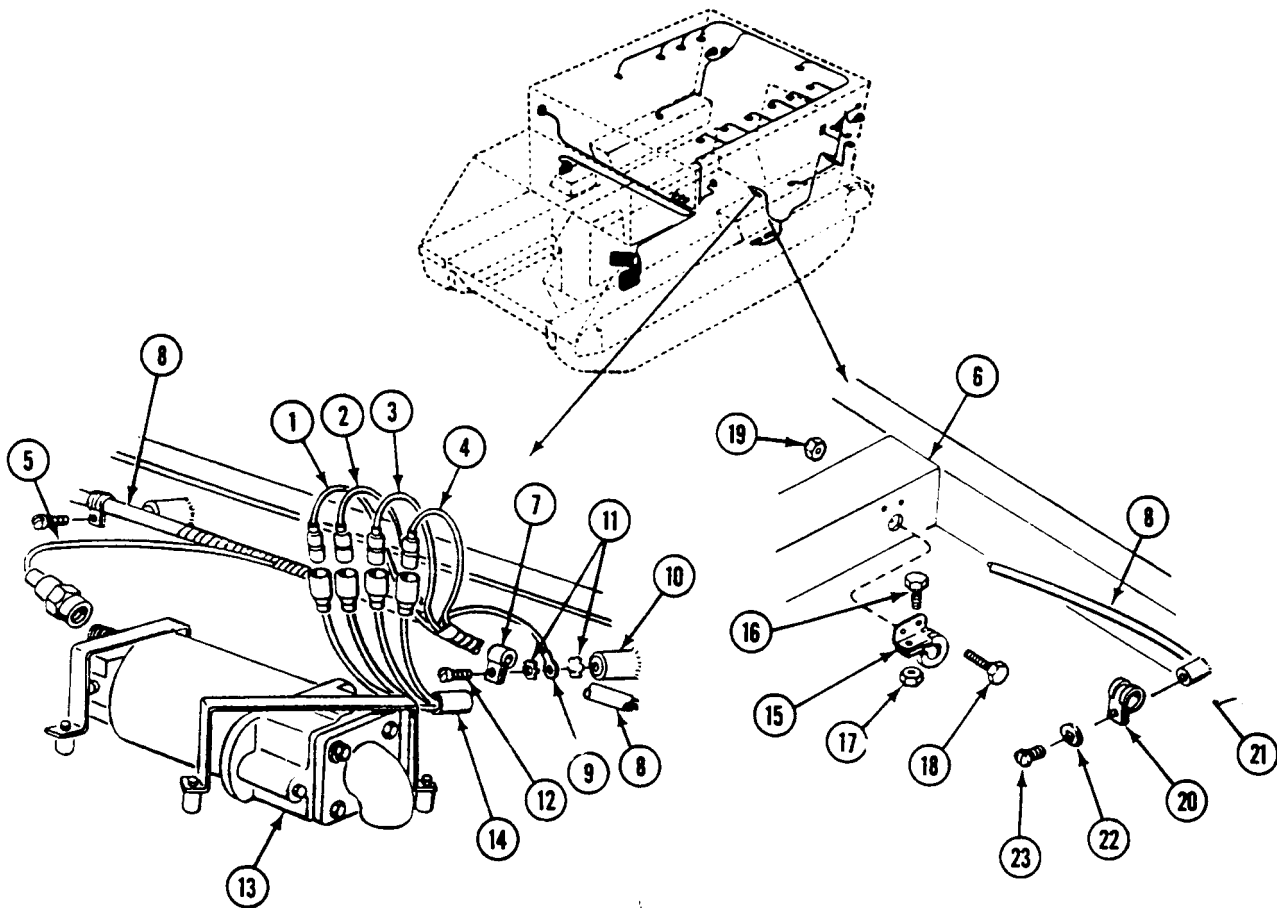
40. Install circuit 48A lead (1) in two clamps (2). Secure clamps (2) on two weldnuts (3) with two screws (4) and new lockwashers (5).
41. Install circuit 48A connector (6) on bracket (7). Secure with four screws (8) and nuts (9).
42. Connect circuit 38B lead (10) to front blackout light (11).
43. Connect circuit 38C lead (12) to left dome light (13).
44. Install rear main wiring harness (14) on weldnuts. Secure eight clamps (15) with eight new lockwashers (16) and screws (20).
45. Install two clamps (17) on rear main wiring harness (14). Secure clamps (17) on two weldnuts (18) with screws (19).



REPLACE REAR MAIN WIRING HARNESS (M577A3 ONLY) — Continued

0363 00

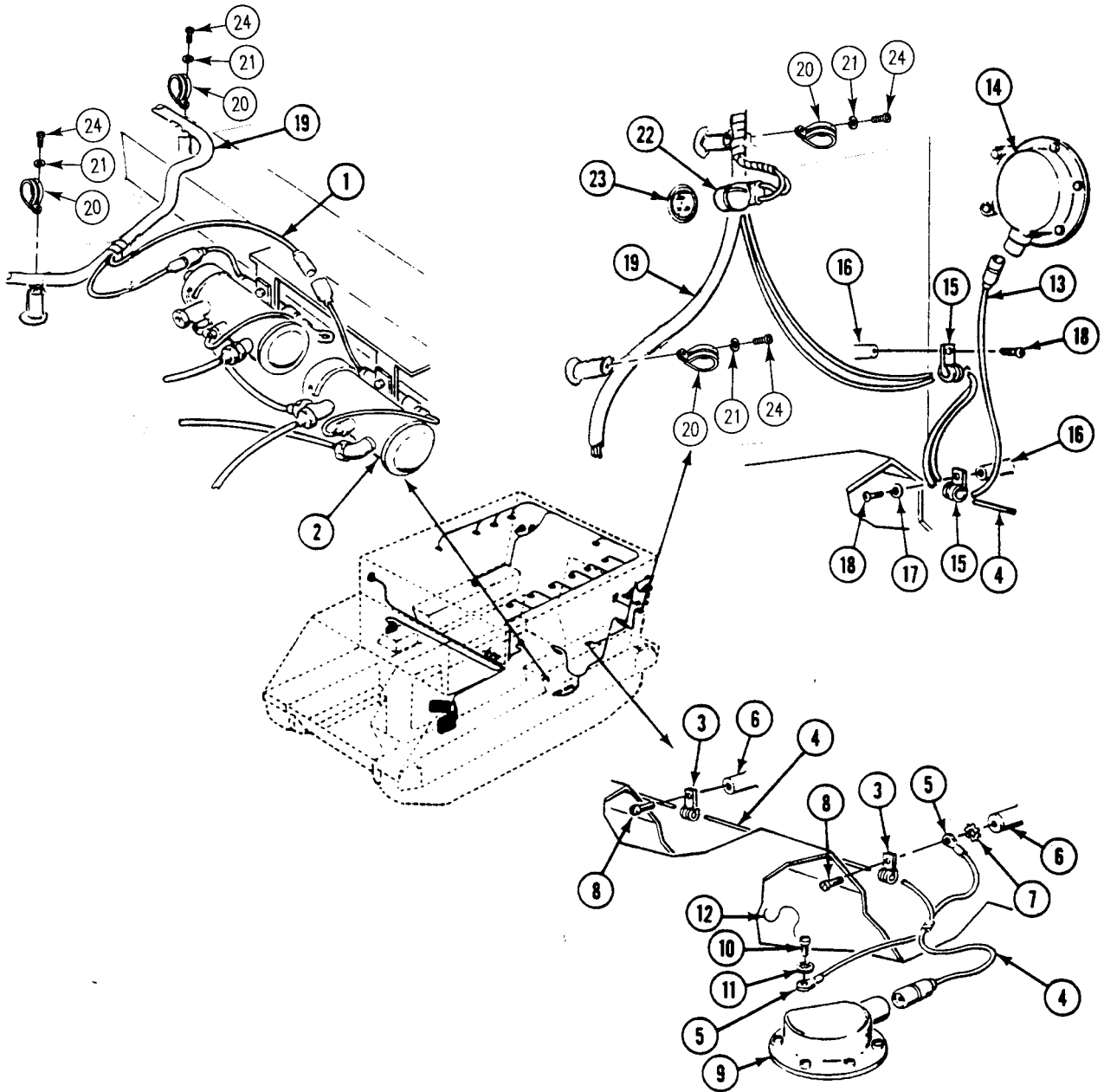
46. Pull circuit 21 lead (1), circuit 22 lead (2), circuit 23 lead (3), circuit 24 lead (4), and circuit 451 lead (5) through opening in floor transverse beam (6).
47. Install clamp (7) on rear main wiring harness (8). Secure clamp (7) and trailer wiring harness ground lead (9) on weldnut (10) with two new lockwashers (11) and screw (12).
48. Connect circuit 451 lead (5) to rear bilge pump (13).
49. Connect circuit 21 lead (1), circuit 22 lead (2), circuit 23 lead (3), and circuit 24 lead (4) to trailer wiring harness (14).
50. Install clamp (15) on rear main wiring harness (8). Secure clamp with screw (16) and nut (17).
51. Install clamp (15) and rear main wiring harness (8) on transverse beam (6). Secure with two screws (18) and nuts (19).
52. Install clamp (20) on rear main wiring harness (8). Secure clamp on weldnut (21) with new lockwasher (22) and screw (23).



REPLACE REAR MAIN WIRING HARNESS (M577A3 ONLY) — Continued

0363 00

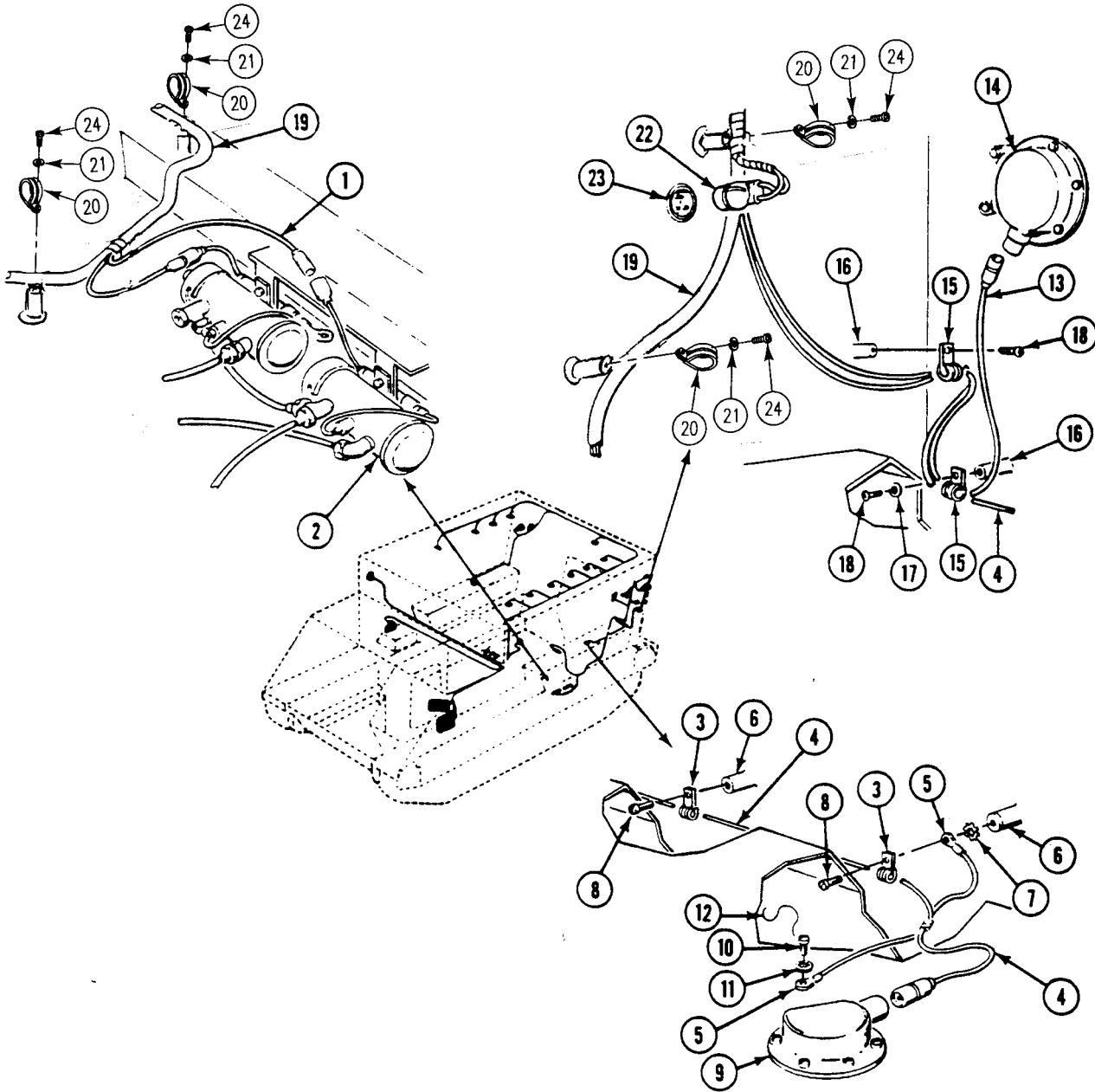
53. Connect circuit 402 lead (1) to personnel heater fuel pump (2).
54. Install two clamps (3) on circuit 30 lead (4). Secure clamps (3) and ground lead (5) on two weldnuts (6) with two new lockwashers (7) and screws (8).
55. Install ground lead (5) on left fuel quantity sending unit (9). Secure with screw (10), new lockwasher (11), and new lockwire (12).
56. Connect circuit 30 lead (4) on left sending unit (9).



REPLACE REAR MAIN WIRING HARNESS (M577A3 ONLY) — Continued

0363 00

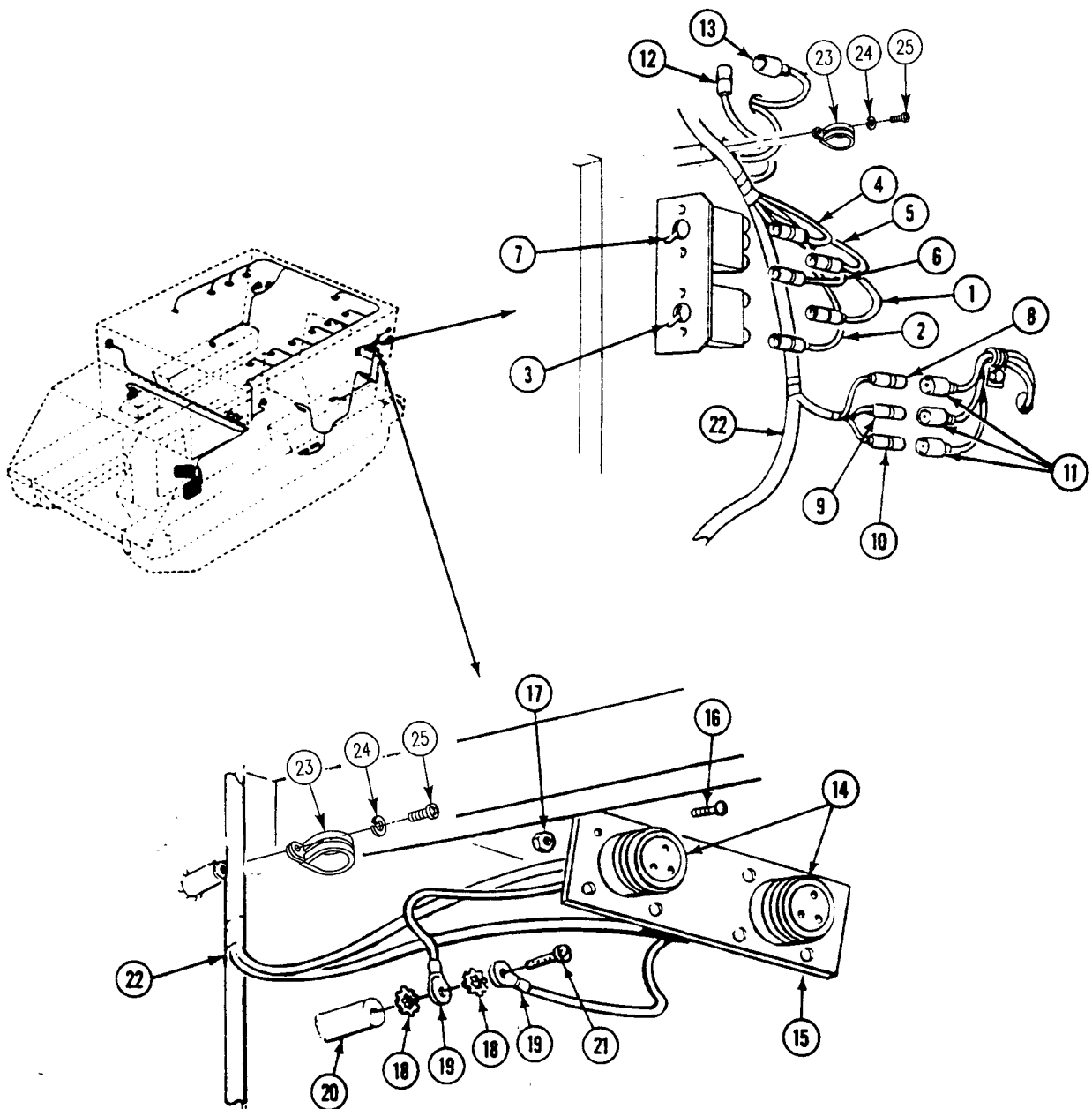
57. Connect circuit 509 lead (13) to buzzer (14).
58. Install two clamps (15) on circuit 30 lead (4) and Circuit 509 lead (13). Secure on two weldnuts (16) with one new lockwasher (17) and two screws (18).
59. Install rear main wiring harness (19) on seven weldnuts. Secure seven clamps (20) with new lockwashers (21) and screws (24).
60. Connect circuit 509 and 509A connector (22) to buzzer switch (23).



REPLACE REAR MAIN WIRING HARNESS (M577A3 ONLY) — Continued

0363 00

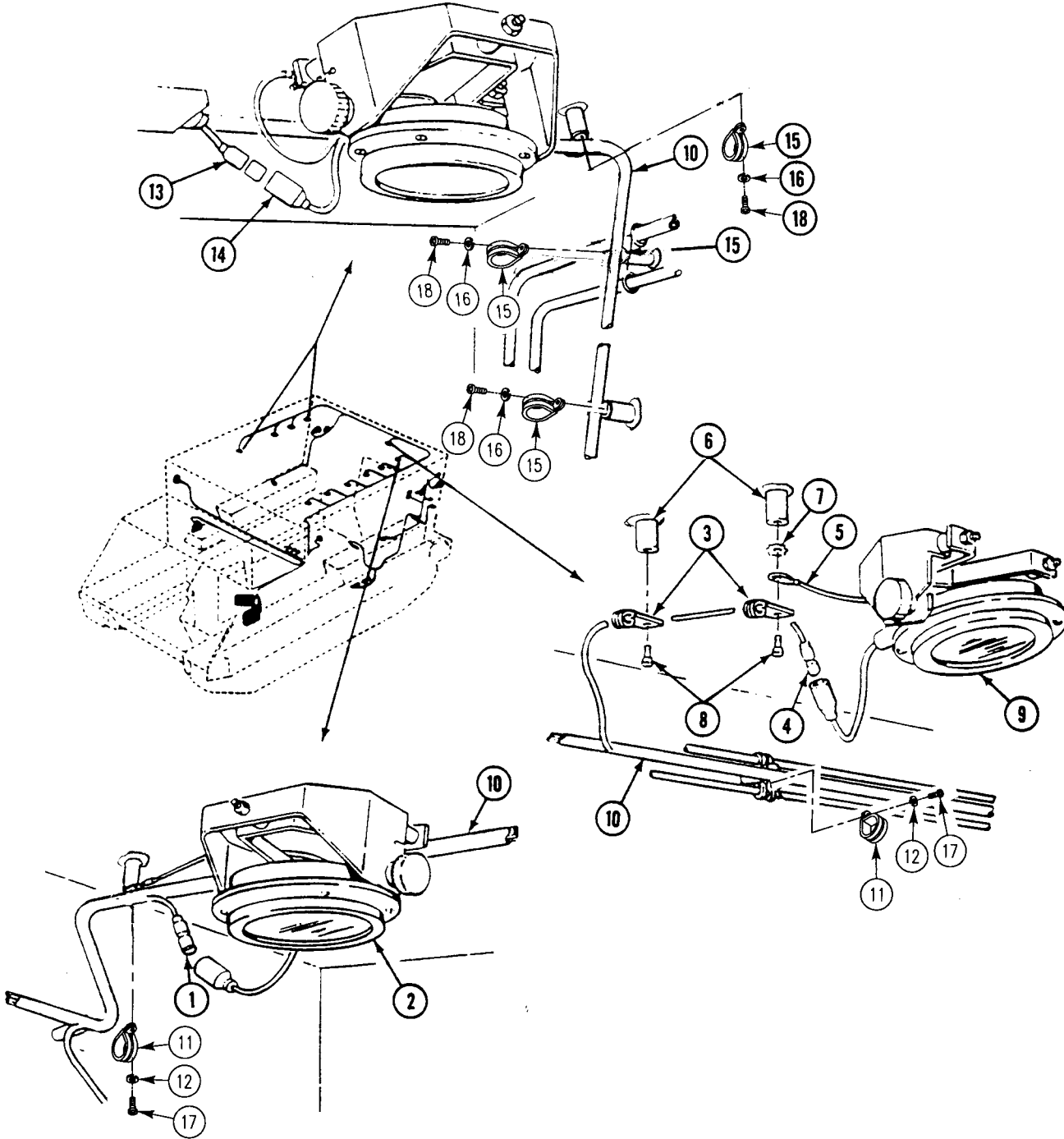
61. Connect circuit 38C lead (1) and circuit 38E lead (2) to blackout dome light switch (3).
62. Connect circuit 38 lead (4), circuit 38A lead (5), and circuit 38E lead (6) to dome light switch (7).
63. Connect circuit 21 lead (8), circuit 22 lead (9), and circuit 24 lead (10) to left tail light leads (11).
64. Connect circuit 37B lead (12) to left utility outlet lead (13).
65. Install two circuit 48 connectors (14) on bracket (15). Secure with eight screws (16) and nuts (17).
66. Install two new lockwashers (18) and ground leads (19) on weldnut (20). Secure with screw (21).
67. Install rear main wiring harness (17) on seven weldnuts. Secure seven clamps (12) with new lockwashers (18) and screws (23).



REPLACE REAR MAIN WIRING HARNESS (M577A3 ONLY) — Continued

0363 00

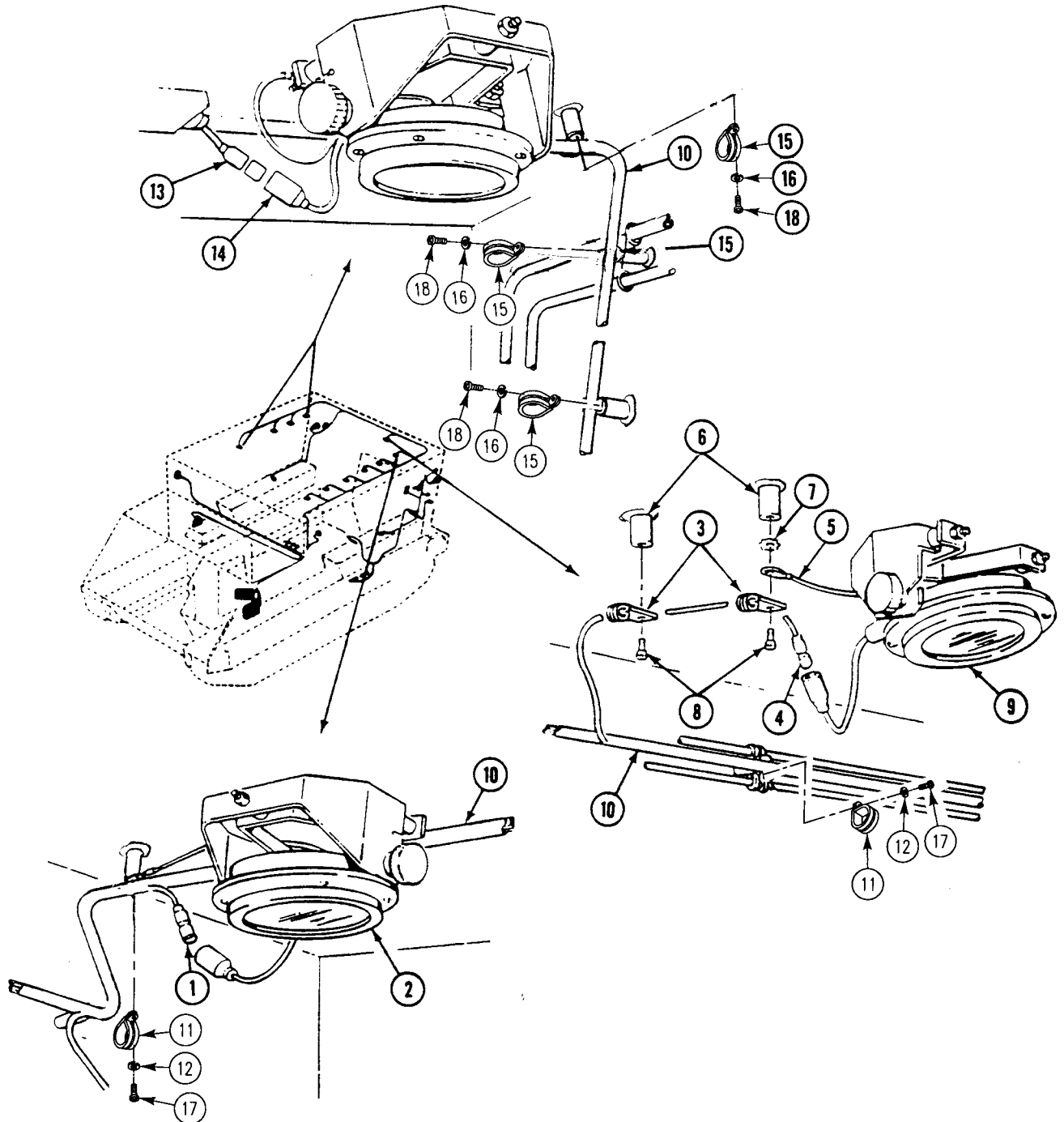
68. Connect four circuit 38C leads (1) to four left side dome lights (2).
69. Install two clamps (3) on circuit 38B lead (4). Secure clamps (3) and ground lead (5) on two weldnuts (6) with one new lockwasher (7) and two screws (8).



REPLACE REAR MAIN WIRING HARNESS (M577A3 ONLY) — Continued

0363 00

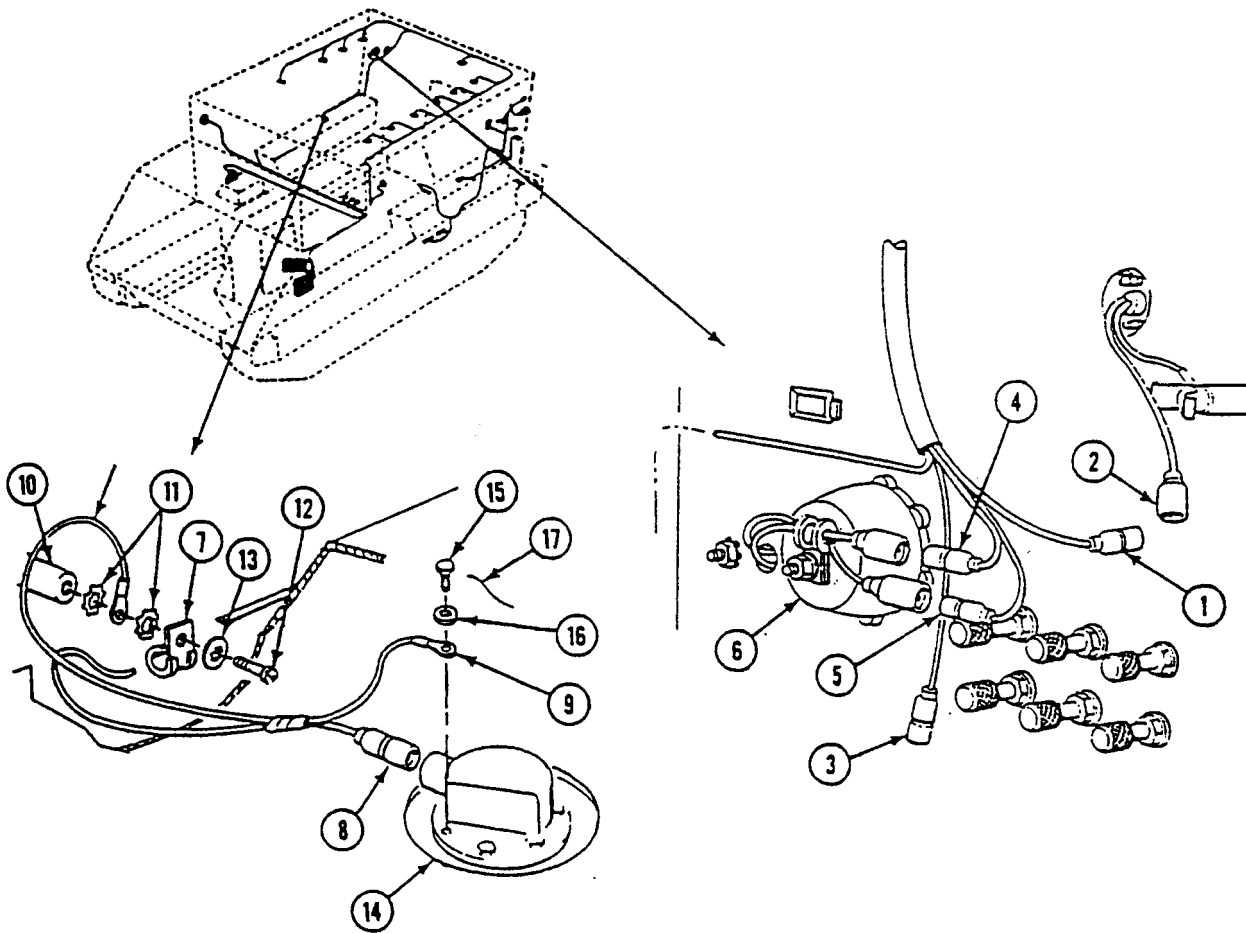
70. Connect circuit 38B lead (4) to rear blackout dome light (9).
71. Secure rear main wiring harness (10) on six weldnuts using six clamps (11) with new lockwashers (12) and screws (17).
72. Connect four circuit 38C leads (13) to four right side dome lights (14).
73. Secure rear main wiring harness (10) on eight weldnuts using eight clamps (15) with new lockwashers (16) and screws (18).



REPLACE REAR MAIN WIRING HARNESS (M577A3 ONLY) — Continued

0363 00

74. Connect circuit 37A lead (1) to right utility outlet lead (2).
75. If NBC unit is installed, connect circuit 415 lead (3) to NBC unit switch.
76. Connect circuit 23 lead (4) and circuit 24 lead (5) to right tail light (6).
77. Install three clamps (7) on circuit 29 lead (8). Secure ground lead (9) and clamps (7) on three weldnuts (10) with two new lockwashers (11), three screws (12), and flat washers (13).
78. Install ground lead (9) on right fuel quantity sending unit (14). Secure with screw (15), new lockwasher (16), and new lockwire (17).
79. Connect circuit 29 lead (8) on right fuel quantity sending unit (14).

**FOLLOW-THROUGH STEPS**

1. Install rear floor plate (WP 0539 00).
2. Connect battery ground lead (WP 0338 00).
3. Install battery access cover (see your -10).
4. Turn MASTER SWITCH to ON (see your -10. Check that electrical system works properly).
5. Start engine (see your -10).
6. Raise and lock ramp (see your -10).
7. Stop engine (see your -10).

END OF TASK

REPLACE REAR MAIN WIRING HARNESS (M1064A3 ONLY)

0364 00

THIS WORK PACKAGE COVERS:

- Removal (page 0364 00-1).
- Inspection and Repair (page 0364 00-13).
- Installation (page 0364 00-13).

INITIAL SETUP:

Maintenance Level

Unit

References

See your -10

Tools and Special Tools

General Mechanic's Tool Kit (WP 0926 00, Item 65)

Equipment Condition

Materials/Parts

- Fibrous twine (WP 0928 00, Item 31)
- Insulation tape (WP 0928 00, Item 39)
- Grommet (4)
- Locknut (21)
- Lockwasher (45)

- Engine stopped (see your -10)
- Carrier blocked (see your -10)
- Battery ground strap disconnected (WP 0337 00)
- Ramp lowered (see your -10)
- Rear floor plate removed (WP 0543 00)
- Rear bilge pump strainer removed (WP 0635 00)

Personnel Required

Unit Mechanic

REMOVAL

NOTE

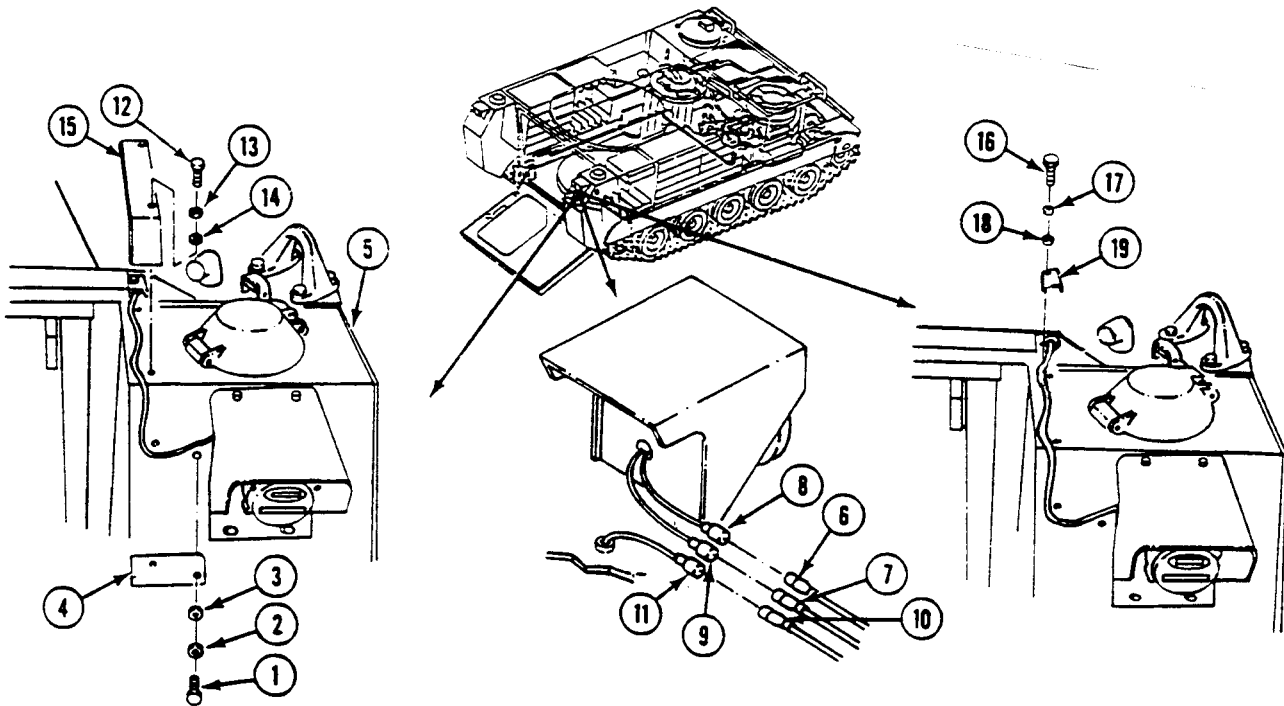
Tag leads before removal.

1. Remove two screws (1), lockwashers (2), washers (3), and harness guard (4) from top of right fuel tank (5). Discard lockwashers.

REPLACE REAR MAIN WIRING HARNESS (M1064A3 ONLY) — Continued

0364 00

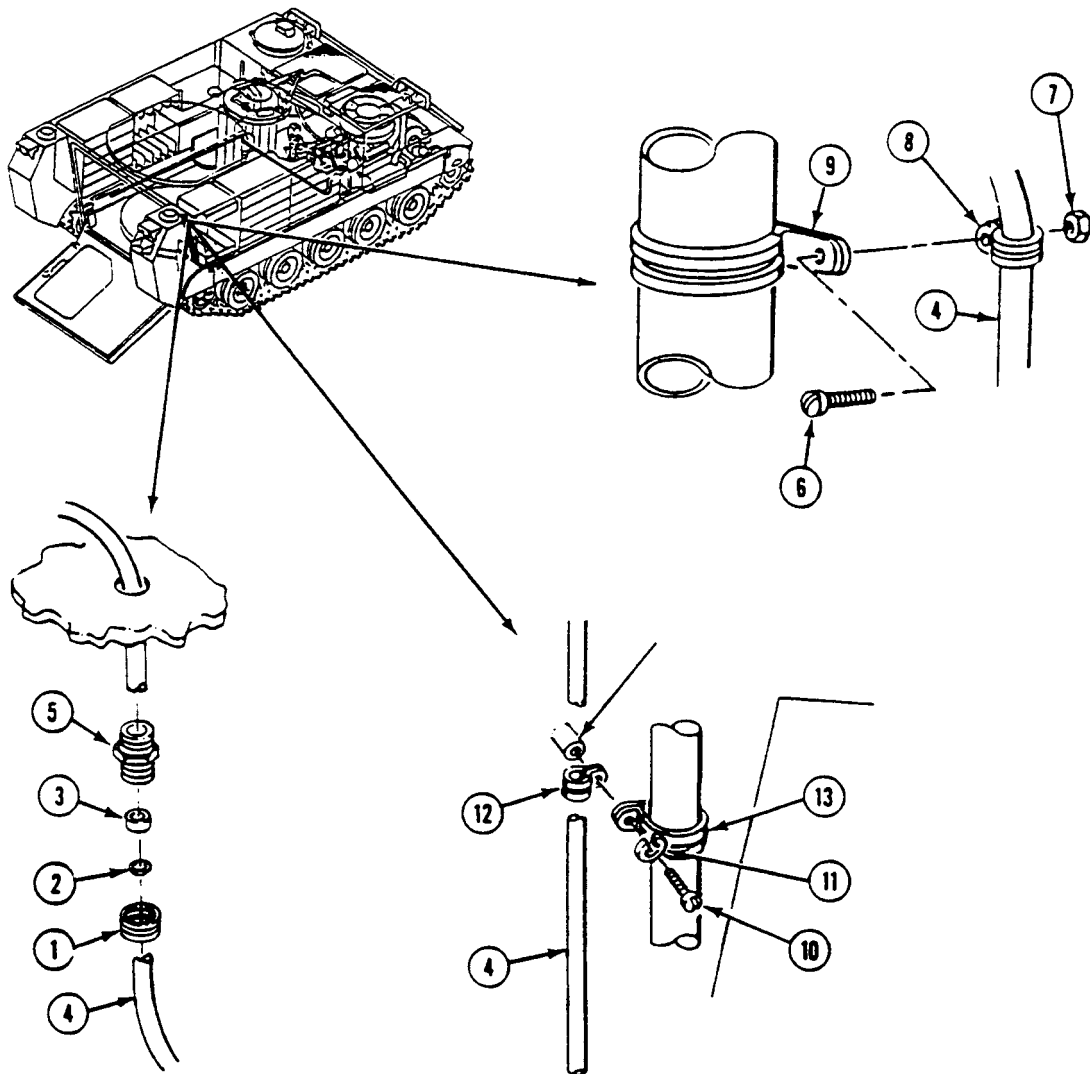
2. Disconnect circuit 23 and 24 leads (6), (7) from right tail light leads (8)(9).
3. Disconnect circuit 31 lead (10) from fuel transmitter lead (11) on right fuel tank (5).
4. Remove two screws (12), lockwashers (13), washers (14), and harness bracket (15) from top of right fuel tank (5). Discard lockwashers.
5. Remove screw (16), lockwasher (17), washer (18), and harness guard (19) from top of rear hull. Discard lockwasher.



REPLACE REAR MAIN WIRING HARNESS (M1064A3 ONLY) — Continued

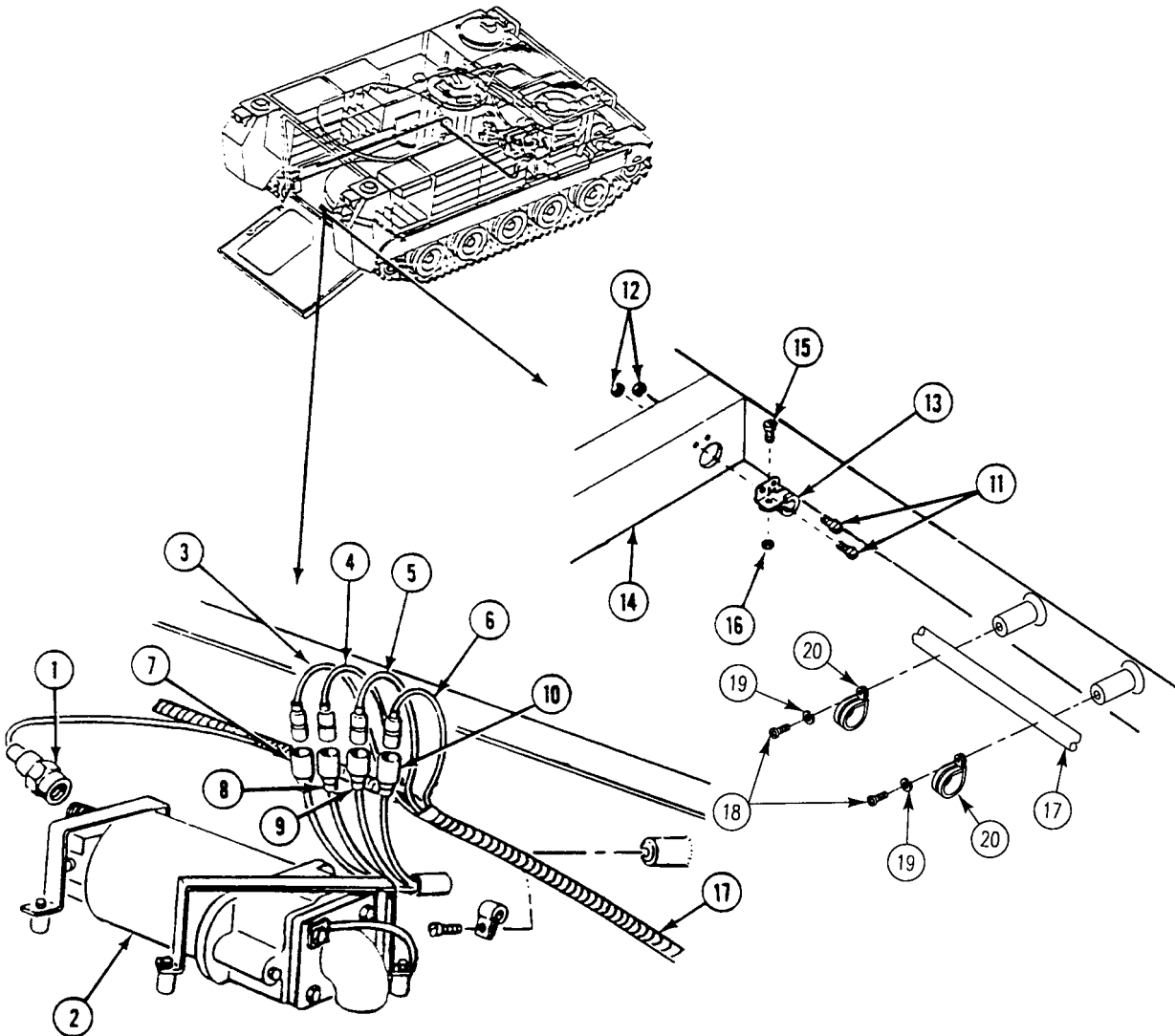
0364 00

6. Remove nut (1), washer (2), and rubber bushing (3) around harness (4) from connector (5).
7. Remove connector (5) from hull.
8. Pull harness (4) through hole in hull top. Leave connector (5), rubber bushing (3), washer (2), and nut (1) on harness.
9. Remove screw (6), locknut (7), clamp (8), and harness (4) from upper bilge tube clamp (9). Discard locknut.
10. Remove two screws (10), lockwashers (11), clamps (12), and harness (4) from two lower bilge tube clamps (13). Discard lockwashers.



NOTE**Tag leads before removal.**

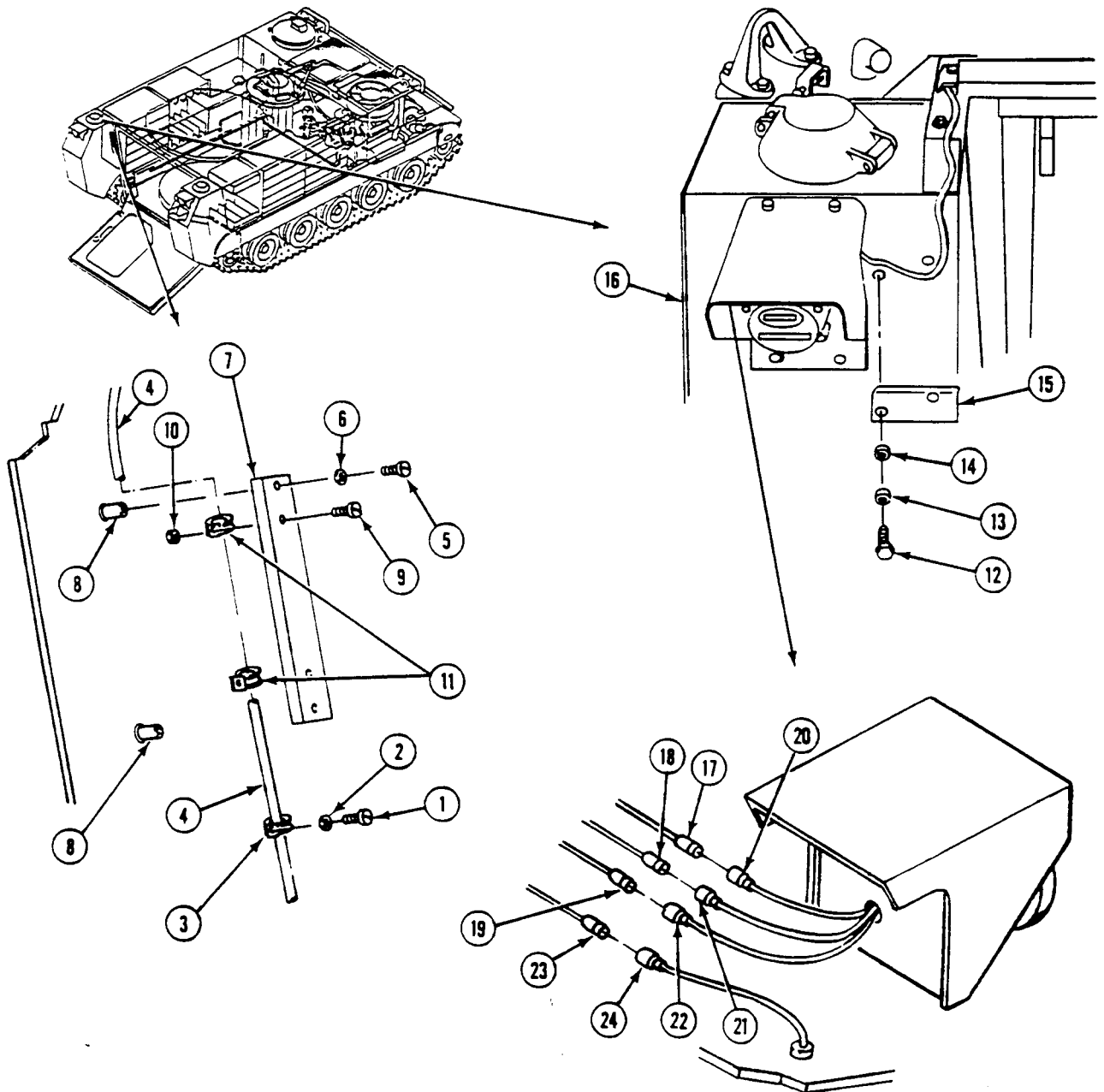
11. Disconnect circuit 451 lead (1) from rear bilge pump (2).
12. Disconnect circuit 21 (3), 22 (4), 23 (5), and 24 (6) leads from trailer wiring harness leads (7)(8)(9)(10).
13. Remove two screws (11), locknuts (12), and clamp (13) from floor beam (14). Discard locknuts.
14. Remove screw (15), locknut (16), and clamp (13) from harness (17). Discard locknut.
15. Remove three screws (18), lockwashers (19), clamps (20), and harness (17) from weldnuts. Discard lockwashers.



REPLACE REAR MAIN WIRING HARNESS (M1064A3 ONLY) — Continued

0364 00

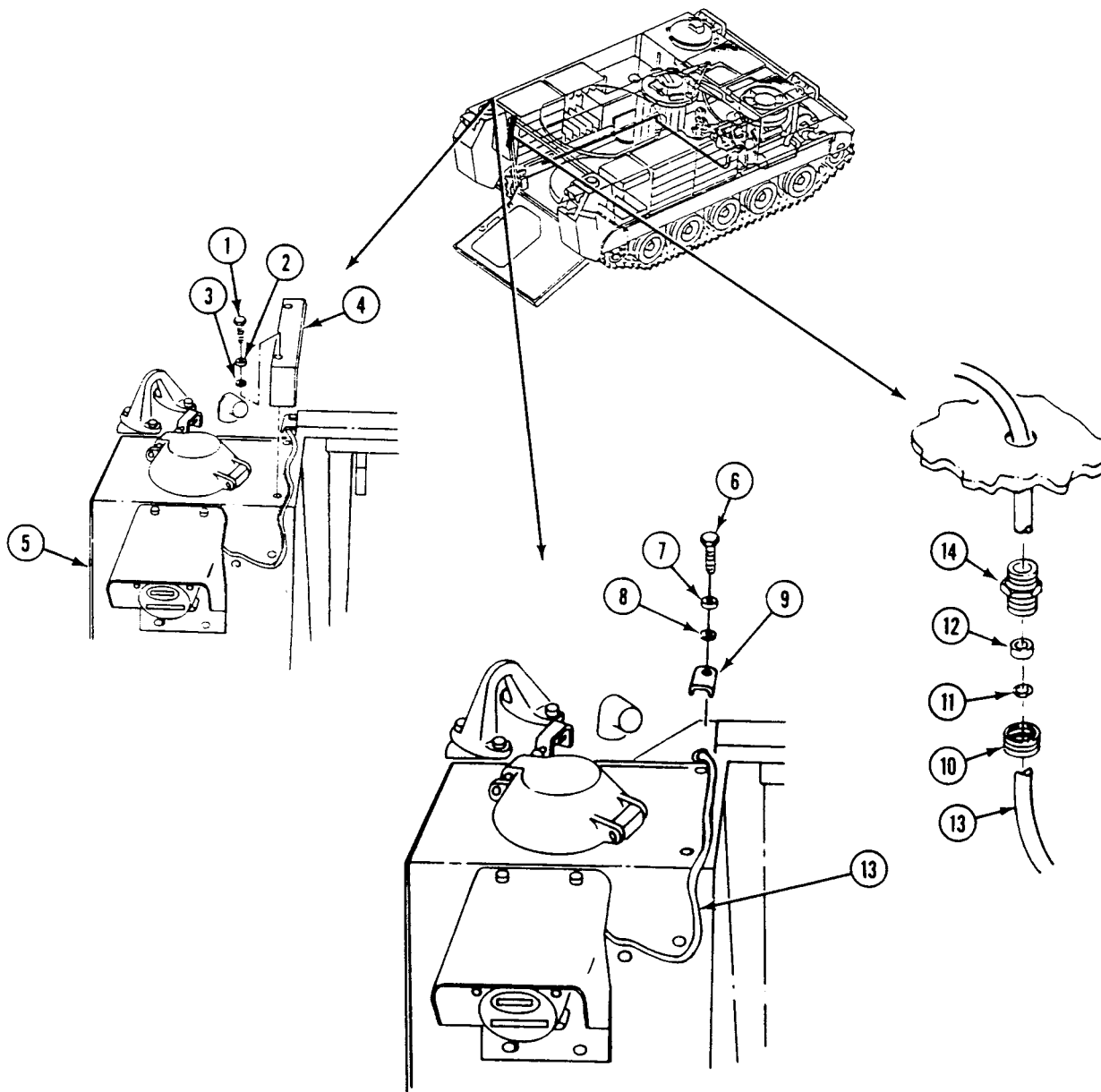
16. Remove screw (1), lockwasher (2), clamp (3), and harness (4) from rear hull plate. Discard lockwasher.
17. Remove two screws (5), lockwashers (6), and guard (7) from two weldnuts (8) on rear hull plate. Discard lockwashers.
18. Remove two screws (9), locknuts (10), clamps (11), and harness (4) from guard (7). Discard locknuts.
19. Remove two screws (12), lockwashers (13), washers (14), and harness guard (15) from top of left fuel tank (16). Discard lockwashers.
20. Disconnect circuit 21 (17), 22 (18), and 24 (19) leads from left tail light leads (20)(21)(22).
21. Disconnect circuit 30 lead (23) from fuel transmitter lead (24) on left fuel tank (16).



REPLACE REAR MAIN WIRING HARNESS (M1064A3 ONLY) — Continued

0364 00

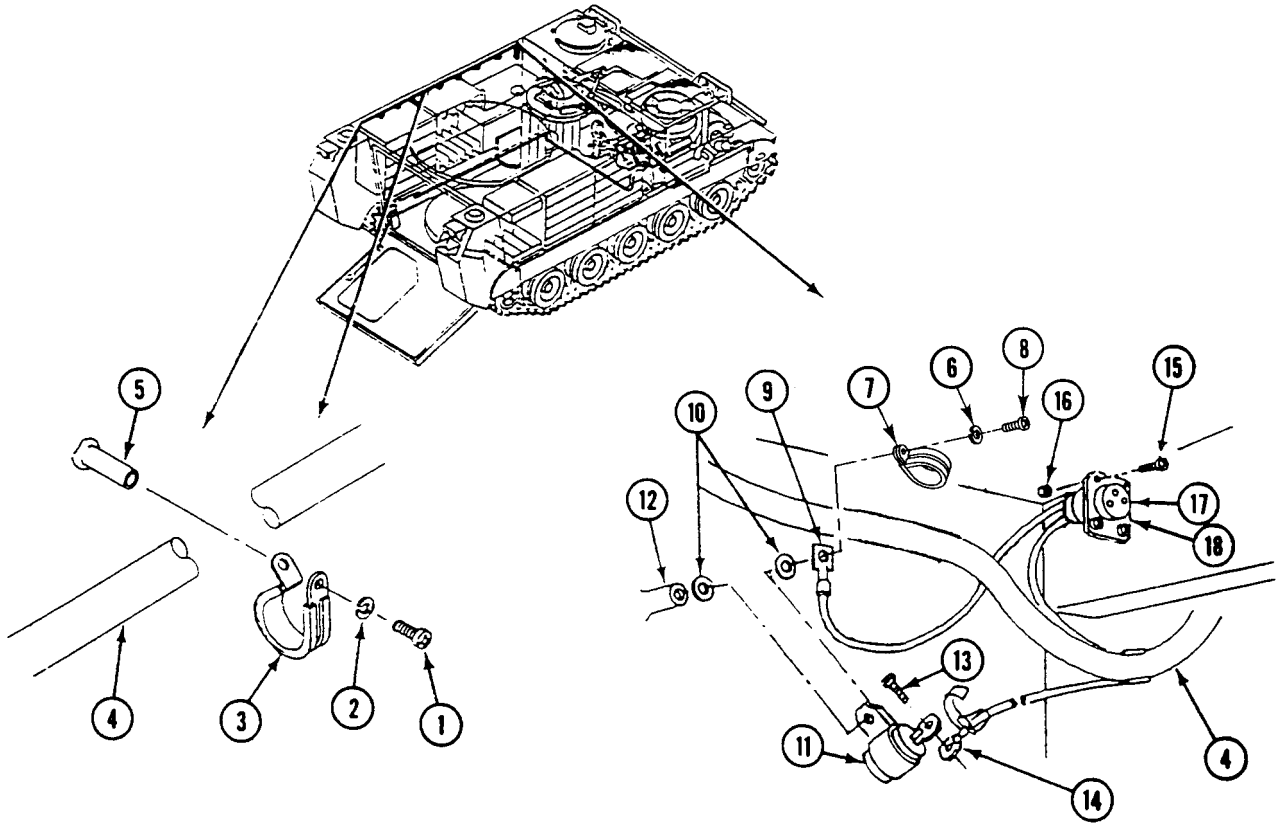
22. Remove two screws (1), lockwashers (2), washers (3), and harness bracket (4) from top of left fuel tank (5). Discard lockwashers.
23. Remove screw (6), lockwasher (7), washer (8), and harness guard (9) from top of rear hull. Discard lockwasher.
24. Remove nut (10), washer (11), and rubber bushing (12) around harness (13) from connector (14).
25. Remove connector (14) from hull.
26. Pull harness (13) through hole in hull top. Leave connector (14), rubber bushing (12), washer (11), and nut (10) on harness (13).



REPLACE REAR MAIN WIRING HARNESS (M1064A3 ONLY) — Continued

0364 00

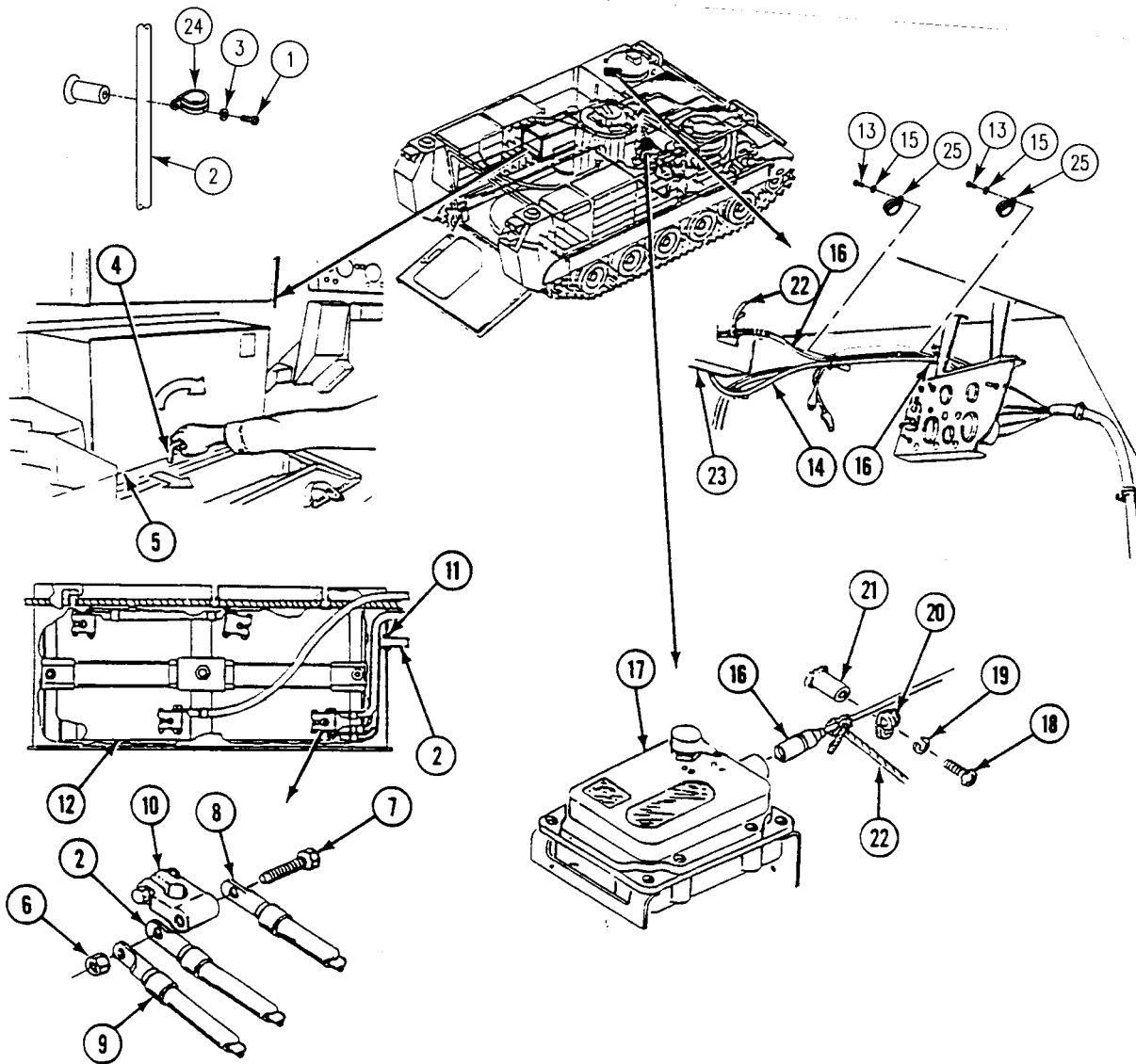
27. Open top ammo rack (see your -10).
28. Remove nine screws (1), lockwashers (2), clamps (3), and harness (4) from weldnuts (5) on left hull plate. Discard lockwashers.
29. Remove screw (8), lockwasher (6), clamp (7), harness (4), ground lead (9), two lockwashers (10), and capacitor (11) from weldnut (12). Discard lockwashers.
30. Remove tape, screw (13), and circuit 48 lead (14) from capacitor (11).
31. Remove four screws (15), locknuts (16), and circuit 48 radio receptacle (17) from bracket (18). Discard locknuts.
32. Remove two screws (1), lockwashers (3), clamps (24) and circuit 48 lead (2) from weldnuts. Discard lockwashers.



REPLACE REAR MAIN WIRING HARNESS (M1064A3 ONLY) — Continued

0364 00

33. Lower left crew seat backrest. Turn handle (4) clockwise and pull battery drawer (5) out.
34. Remove nut (6), screw (7), circuit 6 lead (8), circuit 6P lead (9), and circuit 48 lead (2) from battery terminal (10).
35. Remove circuit 48 lead (2) from grommet (11) in battery box (12). Discard grommet.
36. Remove two screws (13), lockwashers (15), four clamps (25), and circuit 48 lead (2) from weldnuts. Discard lockwashers.



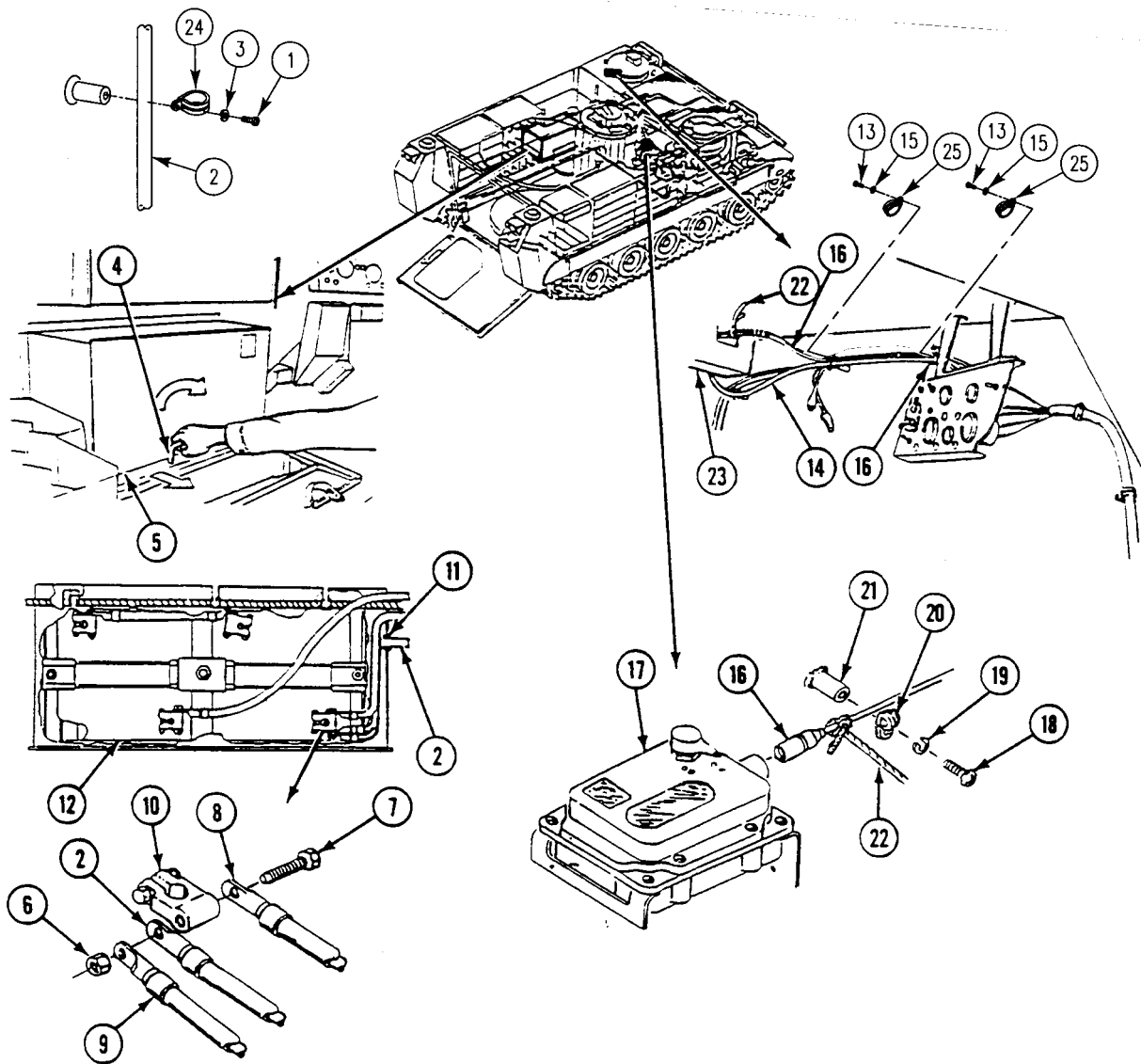
37. Disconnect circuit 38 lead (16) from dome light (17).

NOTE

If needed, remove personnel heater for access.

38. Remove three screws (18), lockwashers (19), clamps (20), and circuit 38 lead (16) from three weldnuts (21). Discard lockwashers.

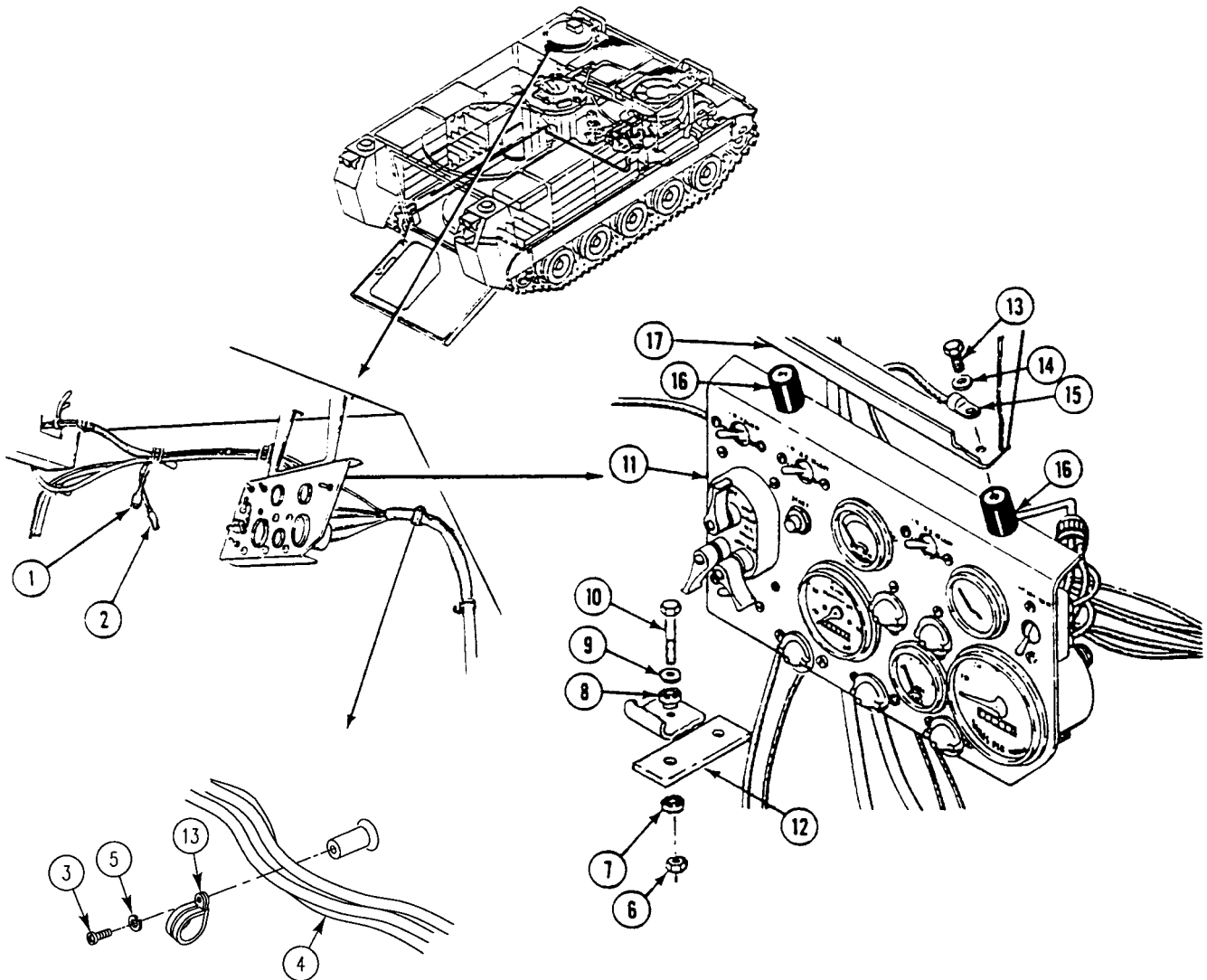
39. Attach twine (22) to circuit 38 lead (16). Pull lead through transverse beam (23) into drivers compartment. Remove twine from lead and leave it in transverse beam.



REPLACE REAR MAIN WIRING HARNESS (M1064A3 ONLY) — Continued

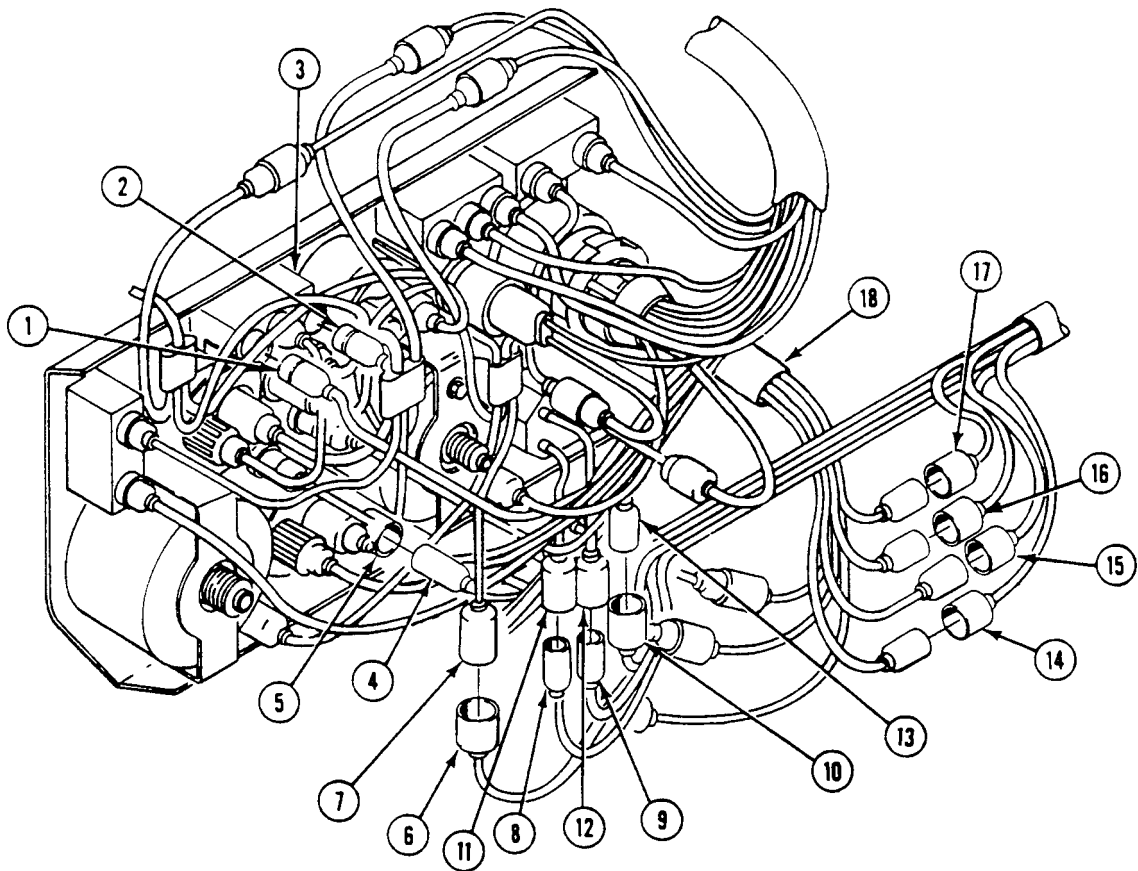
0364 00

40. If personnel heater is installed, disconnect circuit 400 lead (1) from heater control box lead.
41. If engine coolant heater is installed, disconnect circuit 400A lead (2) from engine coolant heater control box lead.
42. Remove screw (3), lockwasher (5), clamp (13), and harness (4) from weldnut. Discard lockwasher.
43. Remove two locknuts (6), mounts (7)(8), washers (9), and screws (10) that secure instrument panel (11) to two struts (12). Discard locknuts.
44. Support panel (11). Remove two screws (13), internal tooth lockwashers (14), and ground lead (15) from two panel mounts (16) and bracket (17). Discard lockwashers.
45. Lower panel (11) and support on two struts (12) to gain access to rear of instrument panel.



NOTE**Tag leads before removal.**

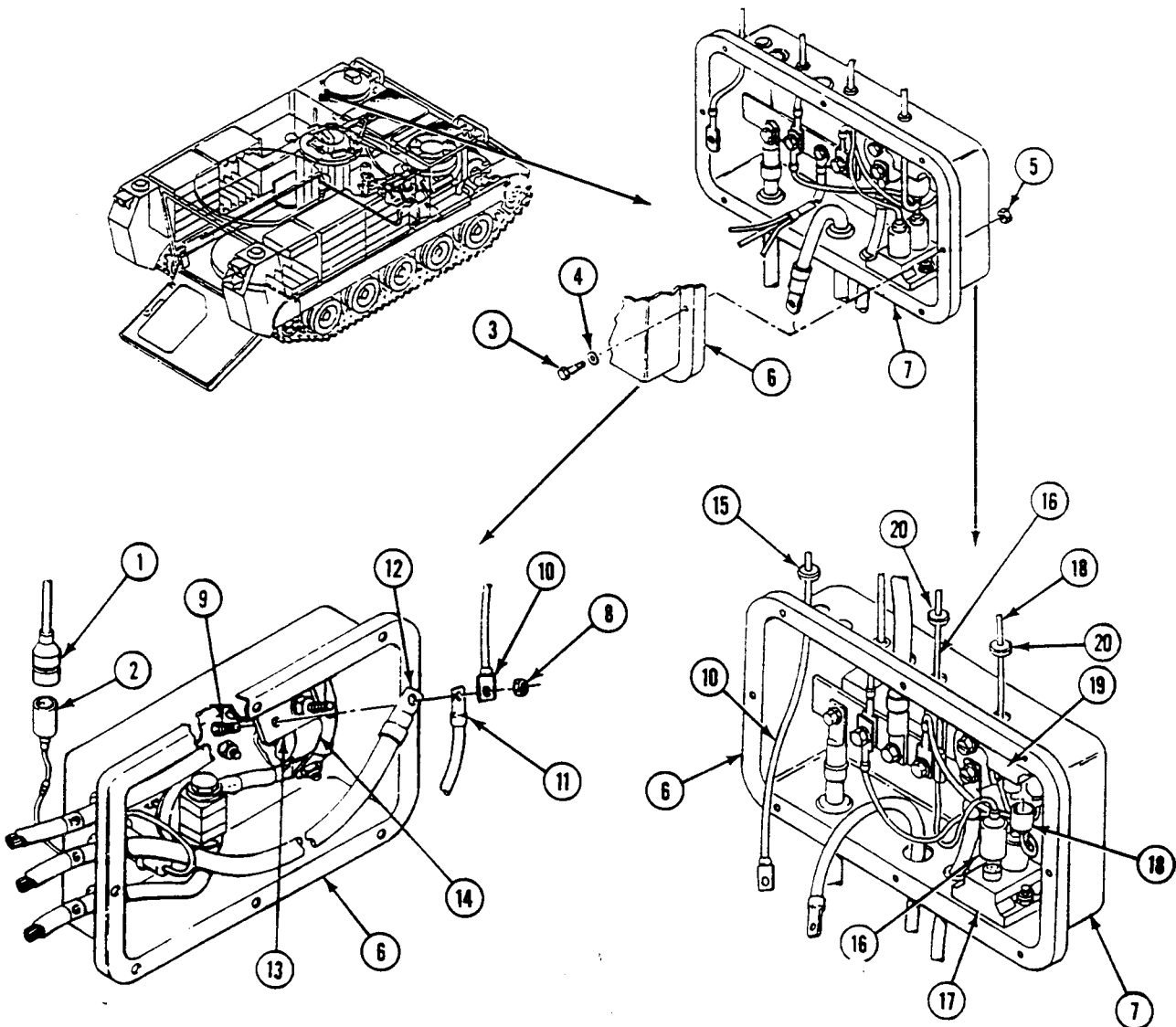
46. Disconnect circuit 30 (1) and 31 (2) leads from fuel gage switch (3).
47. Disconnect circuit 451B lead (4) from REAR BILGE PUMP ON indicator light (5).
48. Disconnect circuit 38 lead (6) from instrument panel wiring harness (7).
49. Disconnect circuit 450 (8), 450B (9), and 451A (10) leads from BILGE PUMPS switch leads (11)(12)(13).
50. Disconnect circuit 21 (14), 22 (15), 23 (16), and 24 (17) leads from front main wiring harness (18).



REPLACE REAR MAIN WIRING HARNESS (M1064A3 ONLY) — Continued

0364 00

51. Disconnect circuit 37 lead (1) from master switch panel lead (2).
52. Remove eight screws (3), washers (4), and locknuts (5) from master switch panel (6). Separate panel (6) from distribution box (7). Discard locknuts.
53. Remove locknut (8), screw (9), and circuit 400 (10), circuit 2 (11), and circuit 6 (12) leads from bus bar (13) on MASTER SWITCH (14). Discard locknut.
54. Remove circuit 400 lead (10) and grommet (15) from distribution box (7). Discard grommet.
55. Disconnect circuit 450 lead (16) from lower circuit breaker (17).
56. Disconnect circuit 450B lead (18) from upper circuit breaker (19).
57. Remove circuit 450 (16) and 450B (18) leads and two grommets (20) from distribution box (7). Discard grommets.
58. Remove harness from carrier.



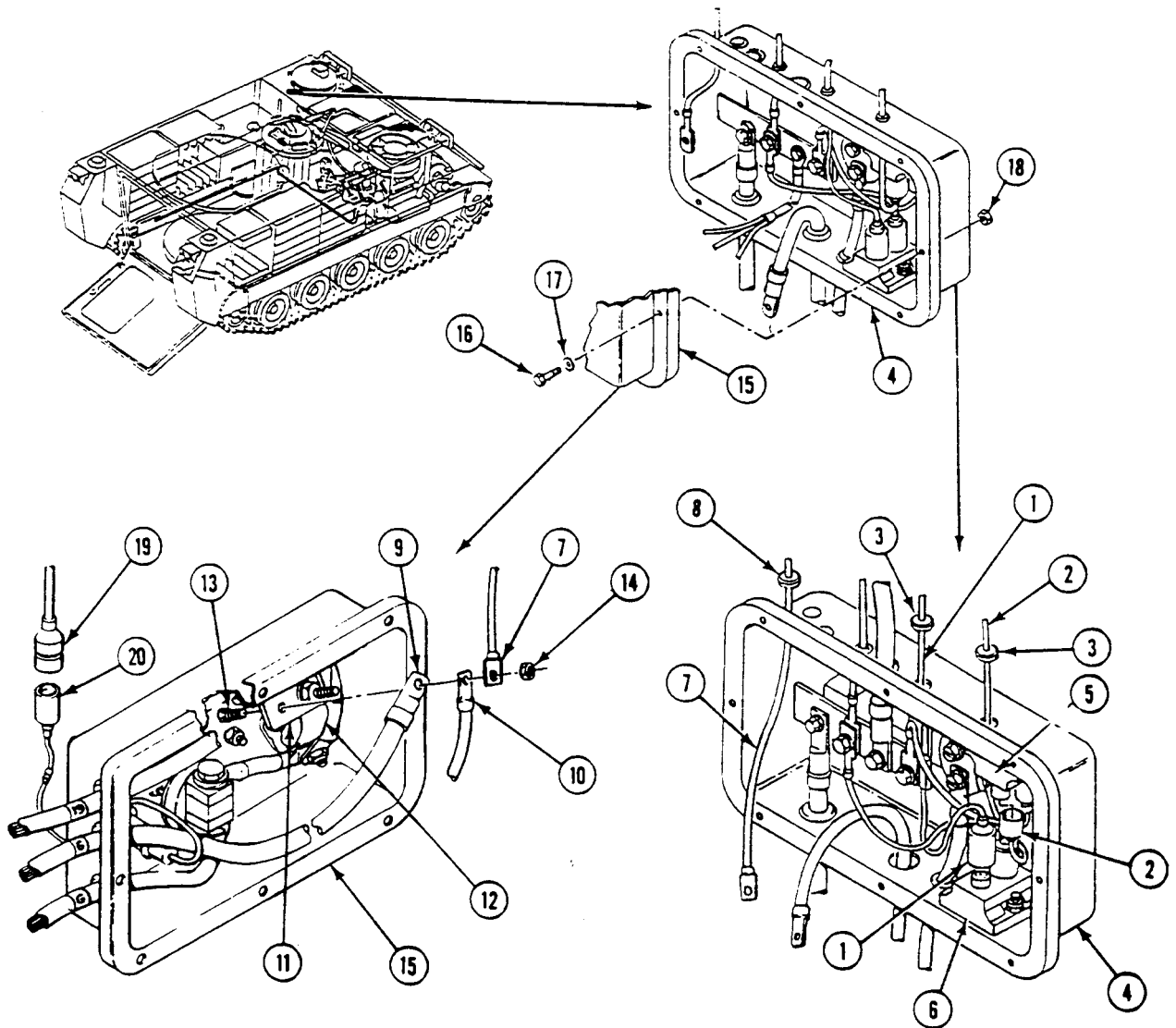
INSPECTION-ACCEPTANCE AND REJECTION CRITERIA

INSPECTION AND REPAIR

1. Inspect for damaged connectors and terminals. Repair as needed (WP 0382 00).

INSTALLATION

1. Install harness in carrier.
2. Install circuit 450 (1) and 450B (2) leads and two new grommets (3) in distribution box (4).
3. Connect circuit 450B lead (2) to upper circuit breaker (5).

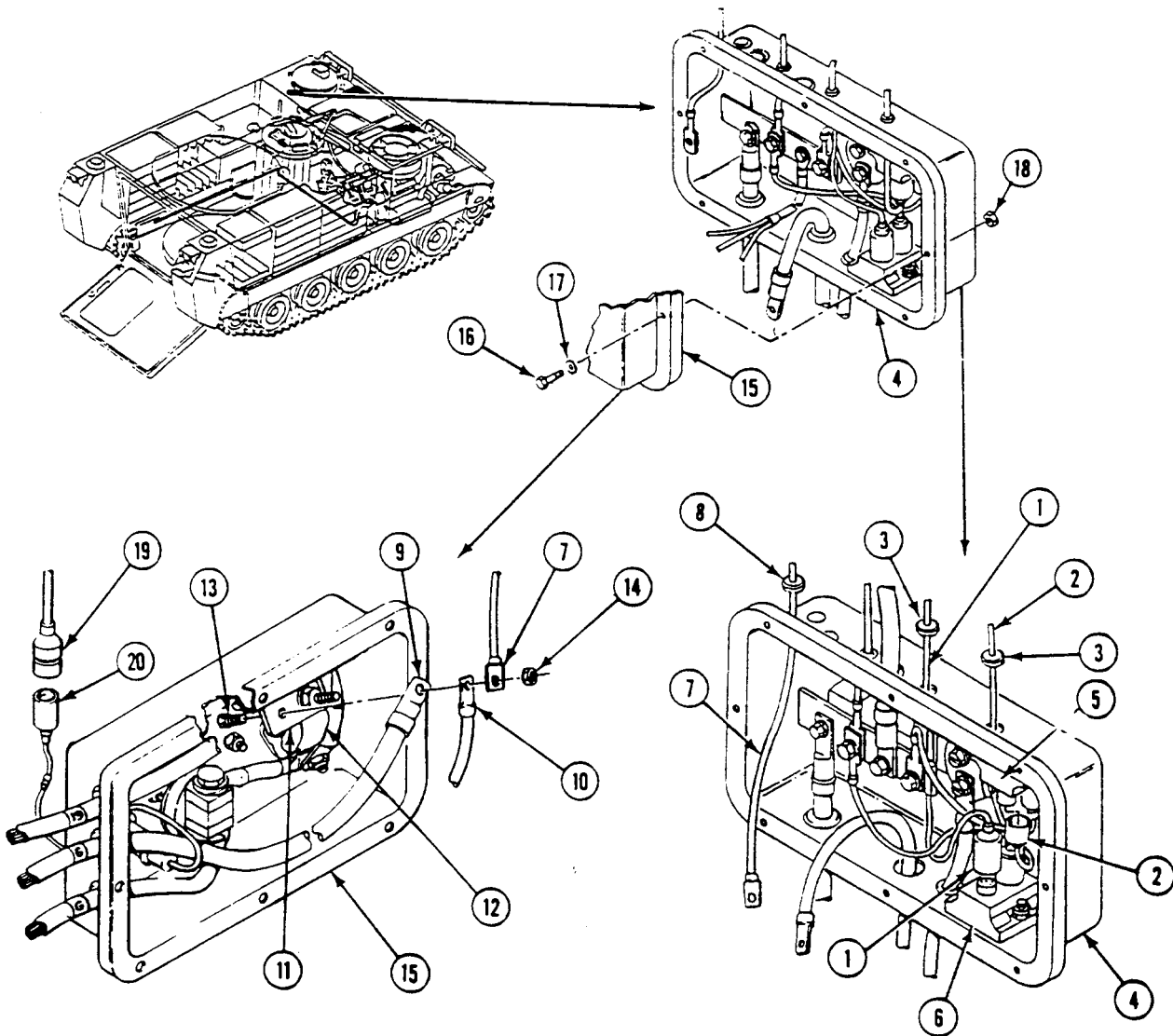


4. Connect circuit 450 lead (1) to lower circuit breaker (6).
5. Install circuit 400 lead (7) and new grommet (8) in distribution box (4).
6. Install circuit 6 (9), circuit 2 (10), and circuit 400 (7) leads on bus bar (11) on MASTER SWITCH (12). Secure with screw (13) and new locknut (14).

NOTE

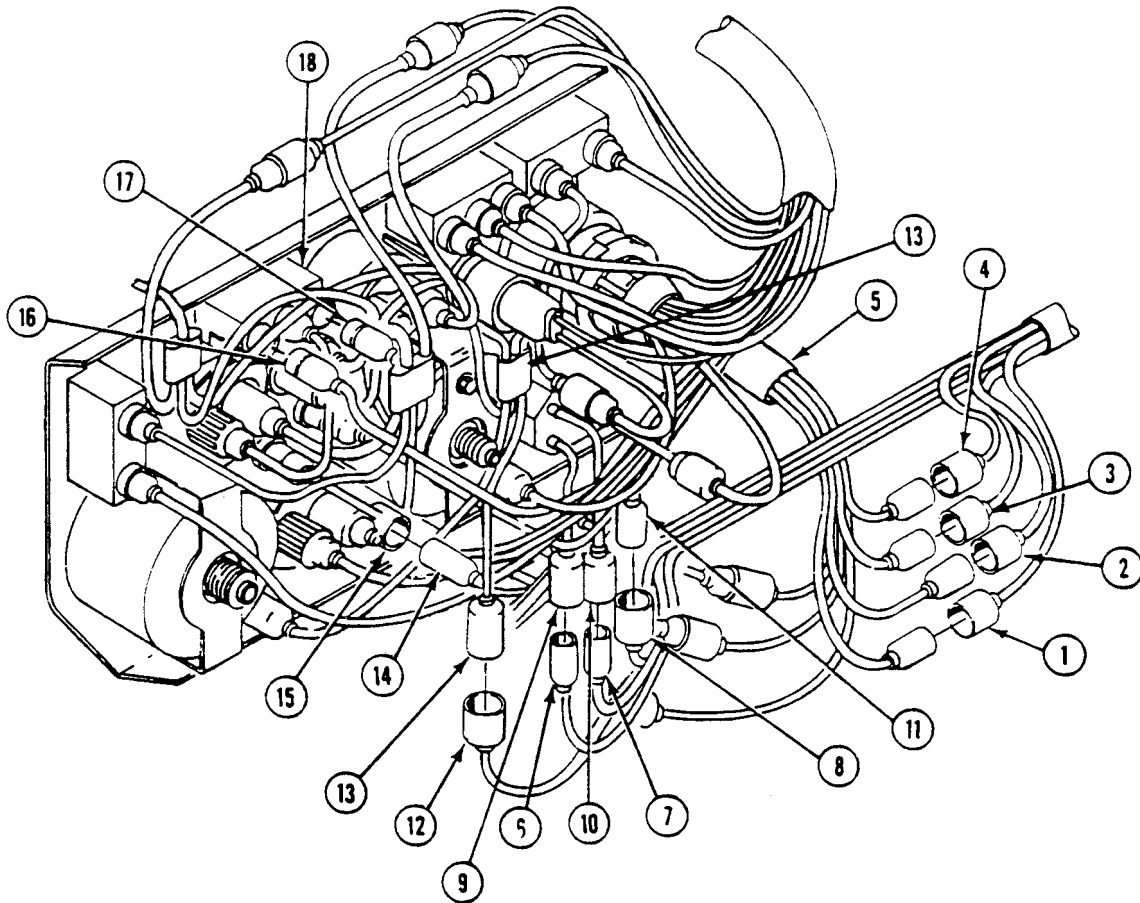
Inspect gasket on distribution box. Replace if damaged.

7. Install master switch panel (15) on distribution box (4). Secure with eight screws (16), washers (17), and new locknuts (18).
8. Connect circuit 37 lead (19) to master switch panel lead (20).



REPLACE REAR MAIN WIRING HARNESS (M1064A3 ONLY) — Continued**0364 00**

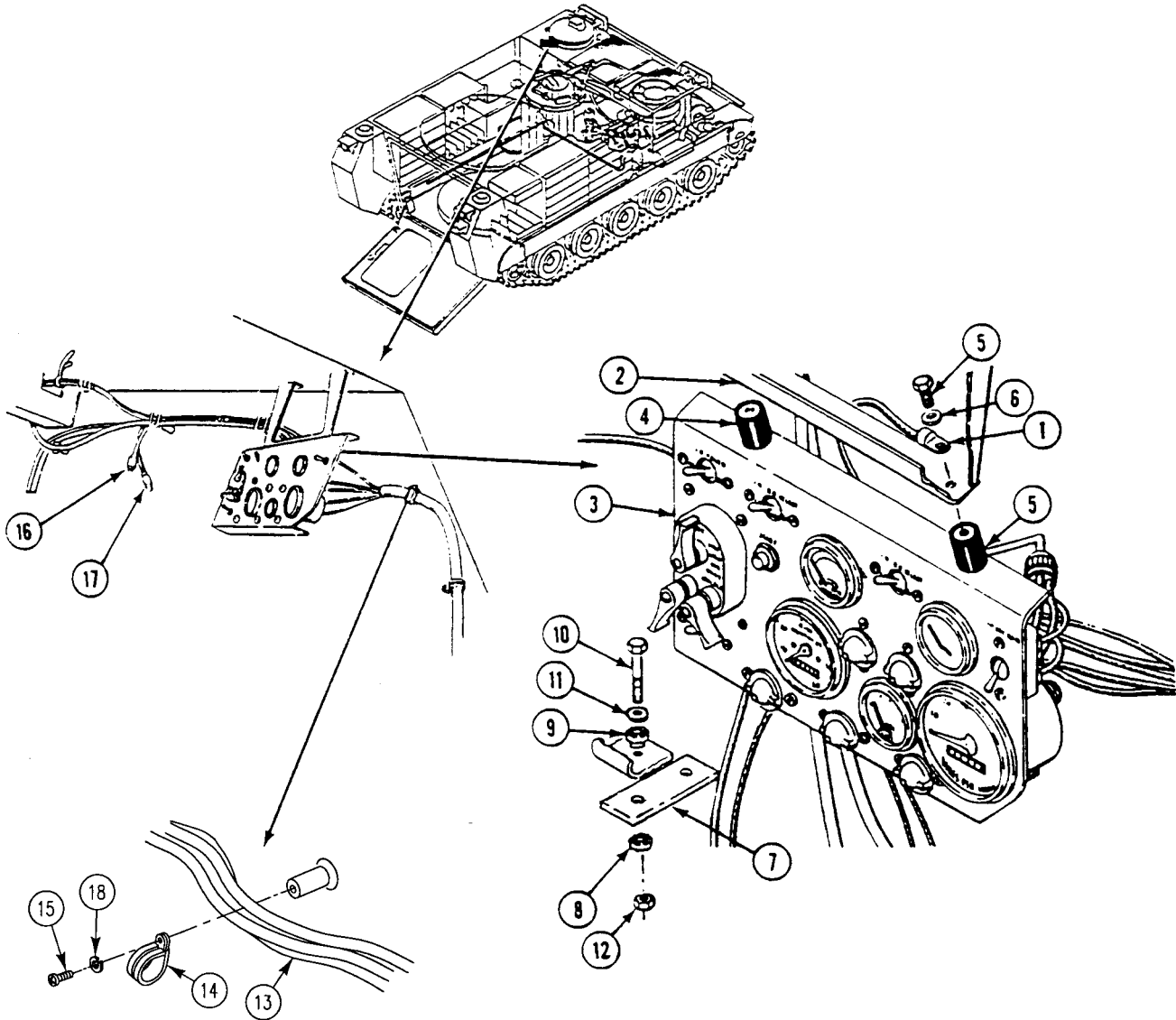
9. Connect circuit 21 (1), 22 (2), 23 (3), and 24 (4) leads to front main wiring harness (5).
10. Connect circuit 450 (6), 450B (7), and 451A (8) leads to BILGE PUMPS switch leads (9)(10)(11).
11. Connect circuit 38 lead (12) to instrument panel wiring harness (13).
12. Connect circuit 451B lead (14) to REAR BILGE PUMP ON indicator light (15).
13. Connect circuit 30 (16) and 31 (17) leads to fuel gauge switch (18).



REPLACE REAR MAIN WIRING HARNESS (M1064A3 ONLY) — Continued

0364 00

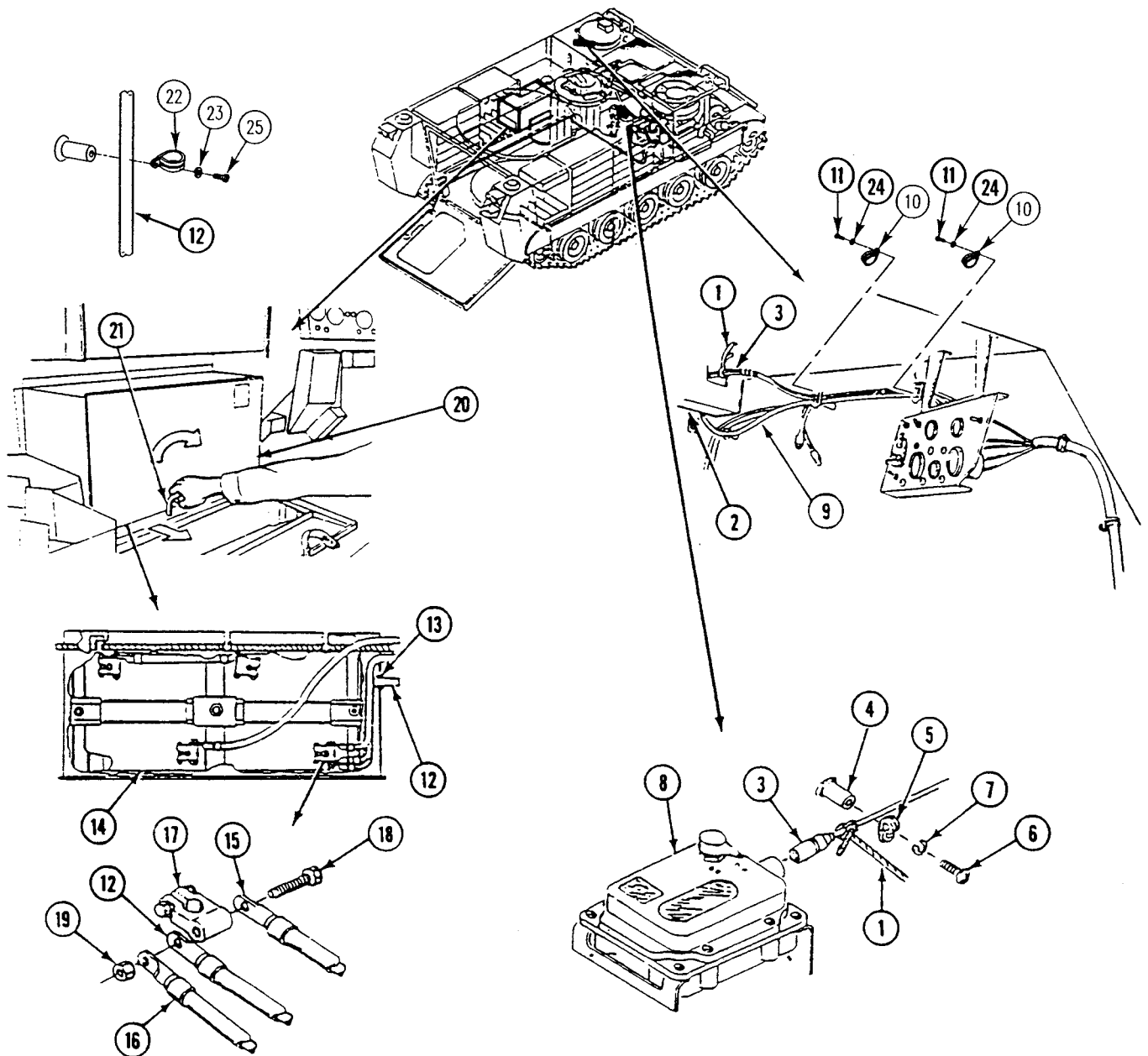
14. Position ground lead (1) at forward hole of bracket (2). Secure instrument panel (3) to bracket (2) with two panel mounts (4), screws (5) and new internal tooth lockwasher (6).
15. Secure panel (3) to two struts (7) with two mounts (8)(9), screws (10), washers (11), and new locknuts (12).
16. Secure harness (13) to weldnut with clamp (14), screw (15), and new lockwasher (18).
17. If engine coolant heater is installed, connect circuit 400A lead (16) to engine coolant heater control box lead.
18. If personnel heater is installed, connect circuit 400 lead (17) to heater control box lead.



REPLACE REAR MAIN WIRING HARNESS (M1064A3 ONLY) — Continued

0364 00

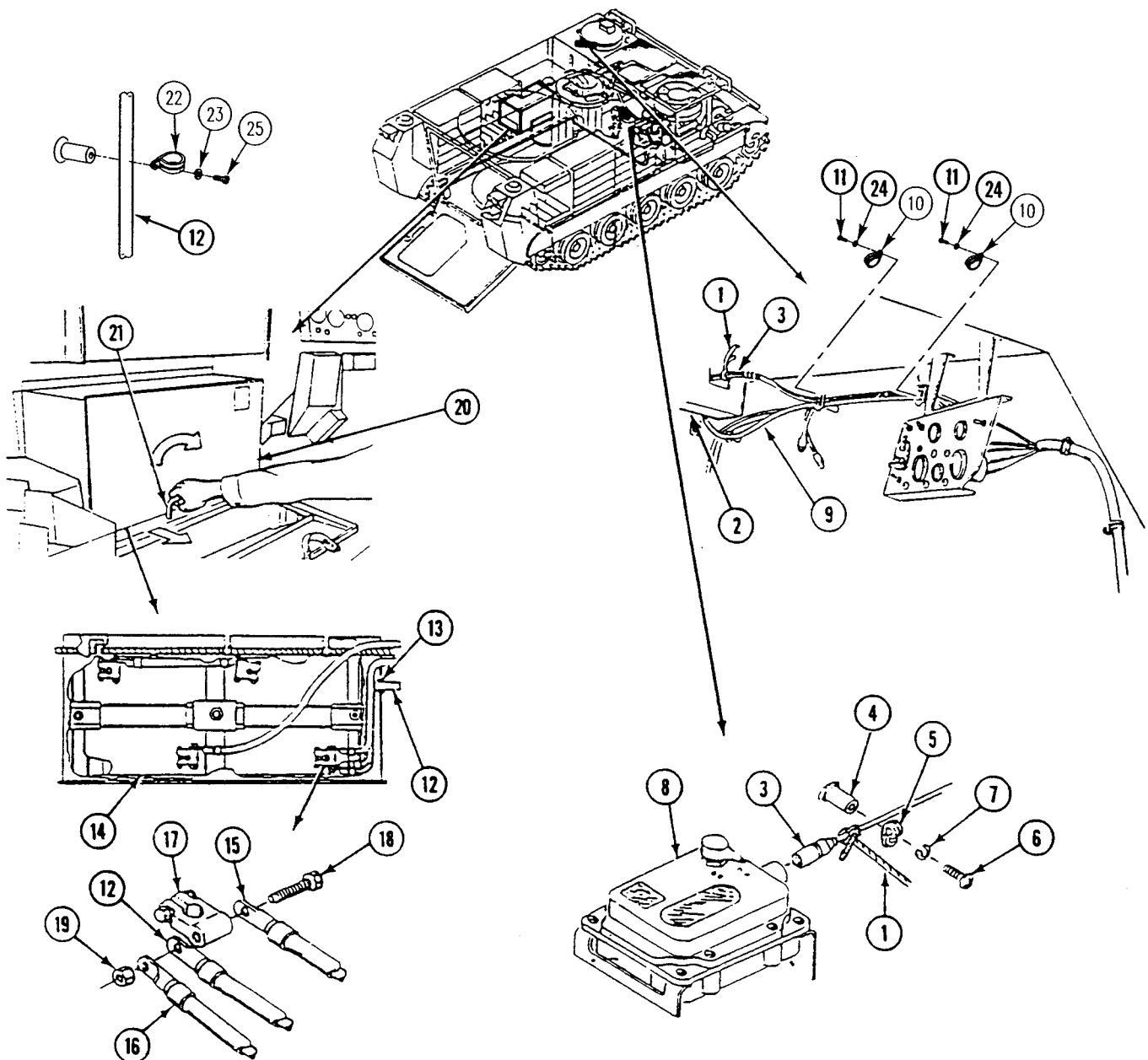
19. Attach twine (1) that was left in transverse beam (2) to circuit 38 lead (3). Pull lead through transverse beam (2) into personnel compartment. Remove twine from lead.
20. Secure circuit 38 lead (3) to three weldnuts (4) on transverse beam with three clamps (5), screws (6), and new lockwashers (7).
21. Connect circuit 38 lead (3) to dome light (8).



REPLACE REAR MAIN WIRING HARNESS (M1064A3 ONLY) — Continued

0364 00

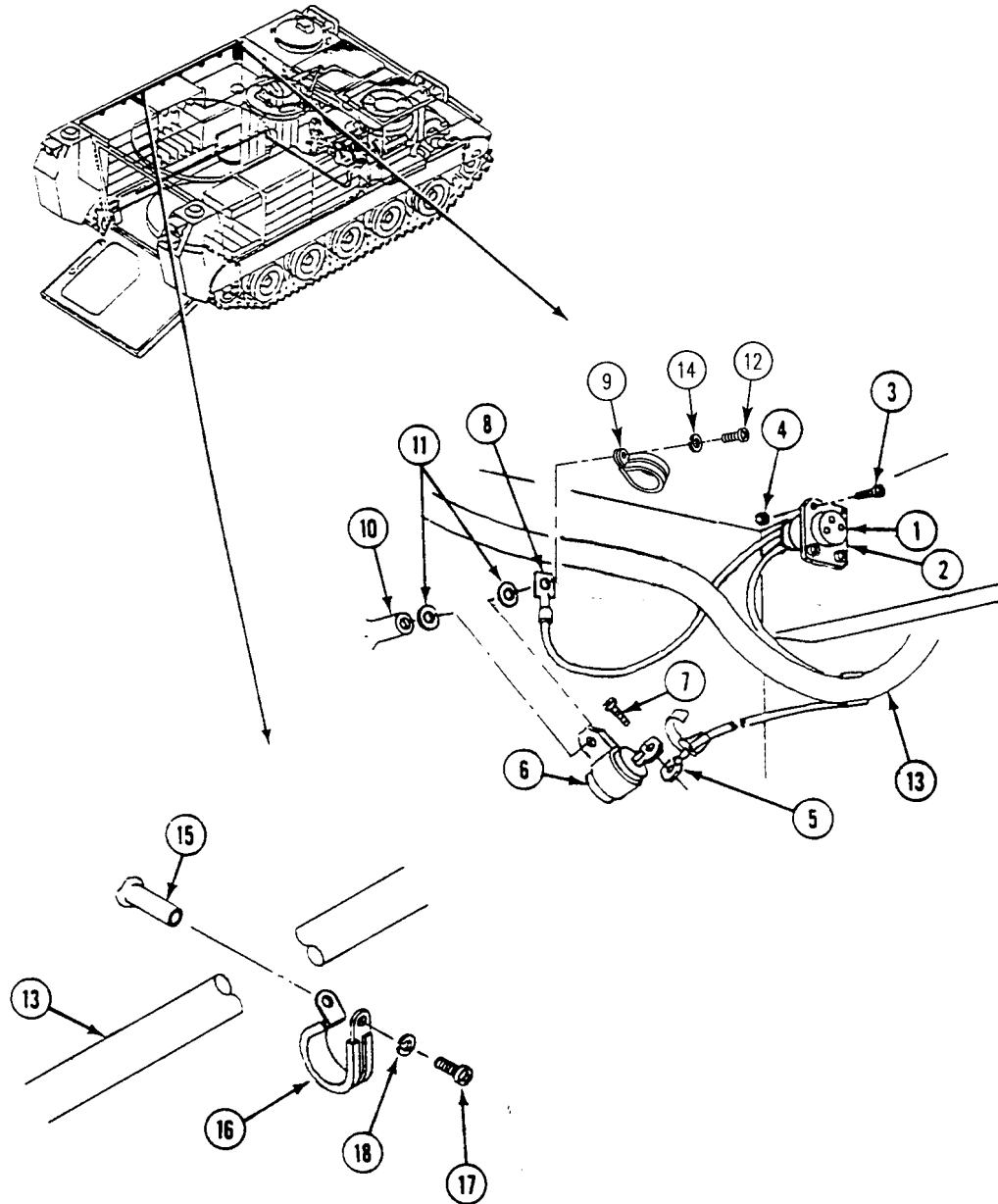
22. Install harness (9) in four clamps (10). Secure with two screws (11) and new lockwashers (24).
23. Install circuit 48 lead (12) and new grommet (13) in battery box (14).
24. Install circuit 6 lead (15), circuit 6P lead (16), and circuit 48 lead (12) on battery terminal (17). Secure with screw (18) and nut (19).
25. Push battery drawer (20) in and turn handle (21) counterclockwise to lock drawer. Raise left crew seat backrest.
26. Install circuit 48 lead (12) in two clamps (22). Secure with two new lockwashers (23) and screws (25).



REPLACE REAR MAIN WIRING HARNESS (M1064A3 ONLY) — Continued

0364 00

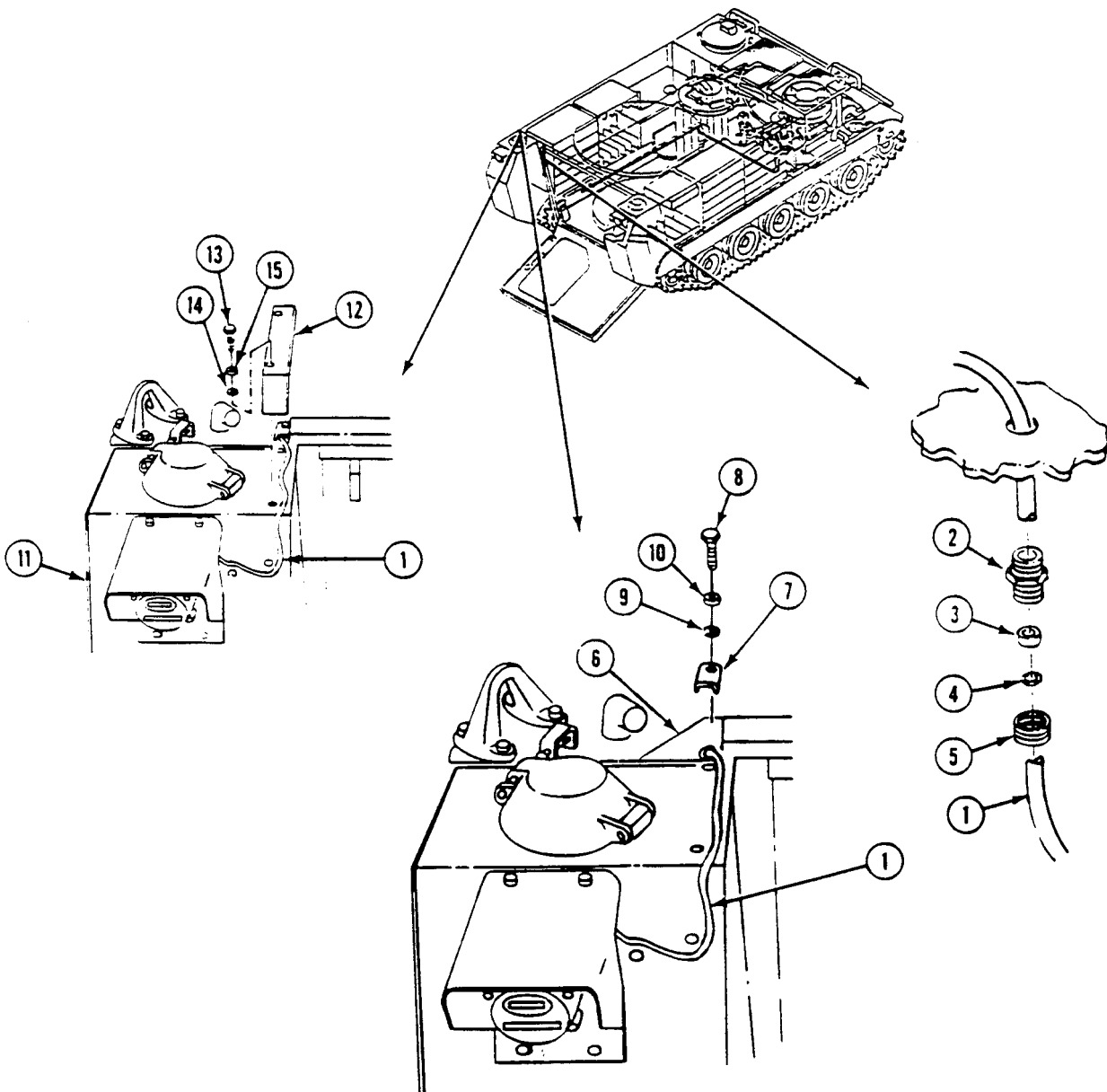
27. Install circuit 48 radio receptacle (1) on bracket (2). Secure with four screws (3) and new locknuts (4).
28. Connect circuit 48 lead (5) to capacitor (6). Secure with screw (7) and tape.
29. Install capacitor (6), ground lead (8), clamp (9), and two new lockwashers (11) on weldnut (10).
30. Install harness (13) in clamp (9). Secure with new lockwasher (14) and screw (12).
31. Secure harness (13) to weldnuts (15) on left hull plate with nine clamps (16), screws (17), and new lockwashers (18).



REPLACE REAR MAIN WIRING HARNESS (M1064A3 ONLY) — Continued

0364 00

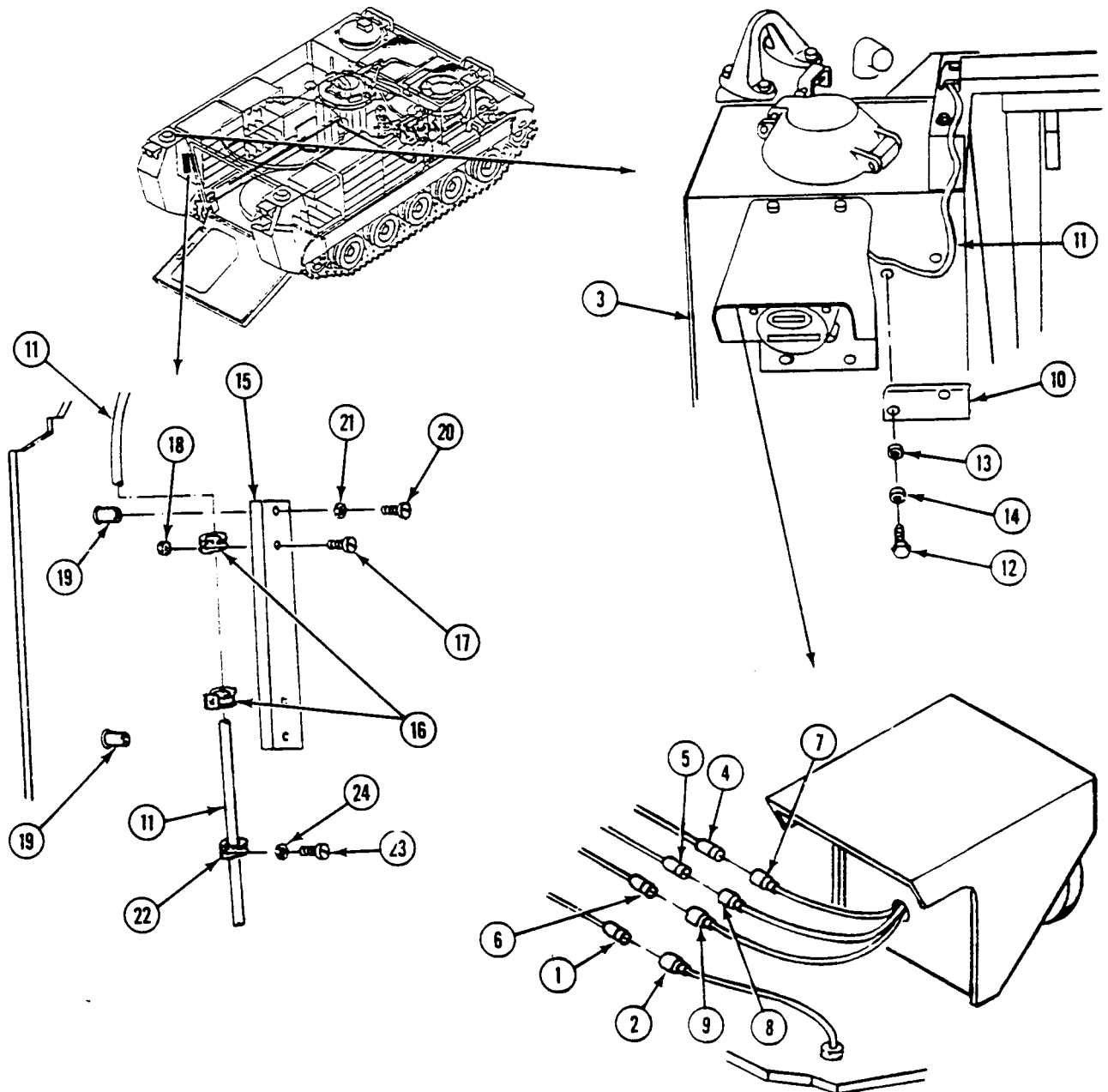
32. Close top ammo rack (see your -10).
33. Insert harness left side branch (1) through hole in hull top.
34. Install connector (2) in hull.
35. Secure harness (1) in connector (2) with rubber bushing (3), washer (4), and nut (5).
36. Insert harness (1) through hole in rear plate (6).
37. Install harness guard (7) on top of rear hull. Secure with screw (8), washer (9), and new lockwasher (10).
38. Route harness (1) along top of left fuel tank (11) and install harness bracket (12) over harness (1). Secure with two screws (13), washers (14), and new lockwashers (15).



REPLACE REAR MAIN WIRING HARNESS (M1064A3 ONLY) — Continued

0364 00

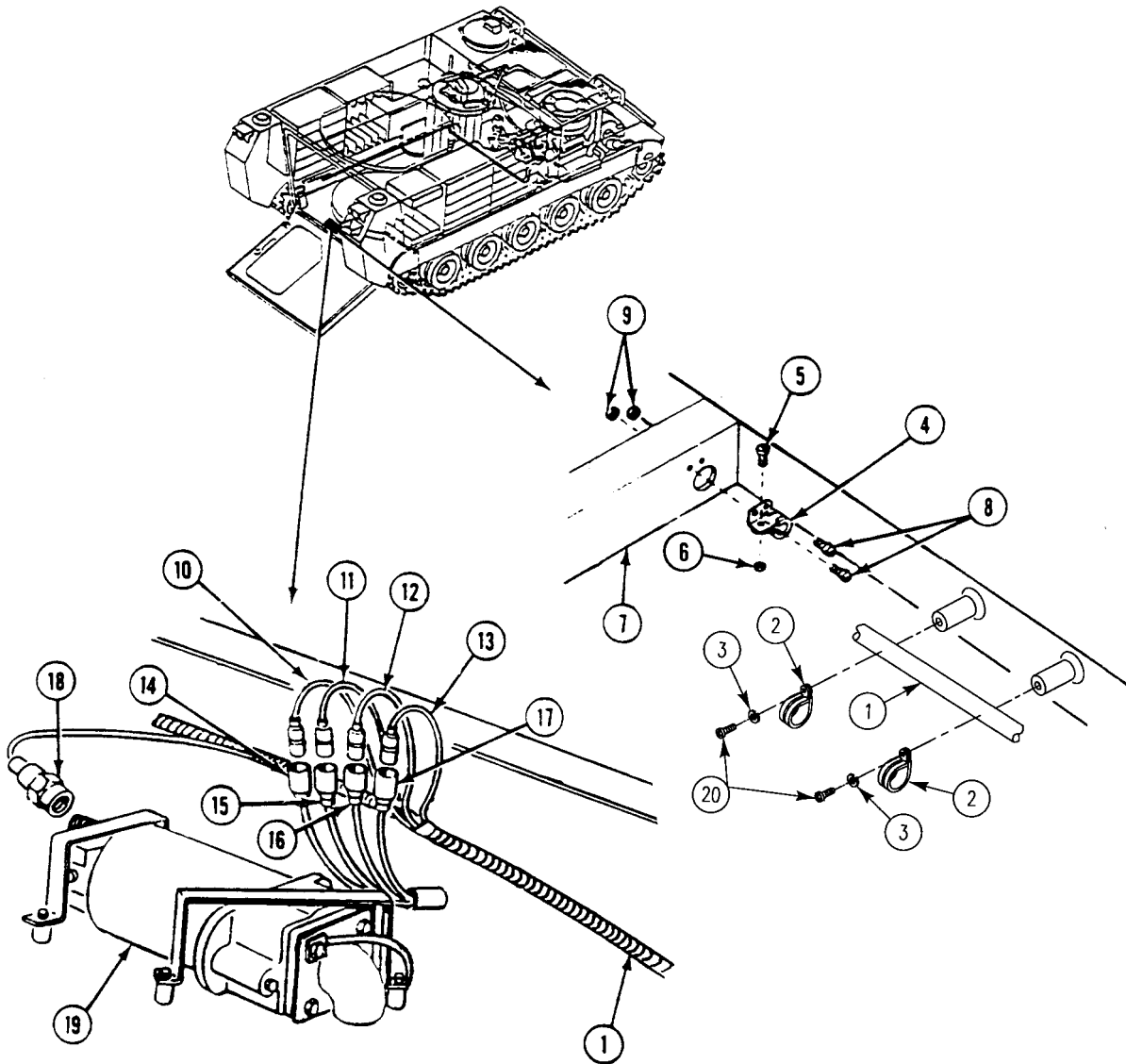
39. Connect circuit 30 lead (1) to fuel transmitter lead (2) on left fuel tank (3).
40. Connect circuit 21 (4), 22 (5), and 24 (6) leads to left tail light leads (7)(8)(9).
41. Install harness guard (10) over harness (11) on left fuel tank (3). Secure with two screws (12), washers (13), and new lockwashers (14).
42. Secure harness (11) to guard (15) with two clamps (16), screws (17), and new locknuts (18).
43. Install guard (15) on two weldnuts (19) on rear hull plate. Secure with two screws (20) and new lockwashers (21).
44. Secure harness (11) on rear hull plate with clamp (22), screw (23), and new lockwasher (24).



REPLACE REAR MAIN WIRING HARNESS (M1064A3 ONLY) — Continued

0364 00

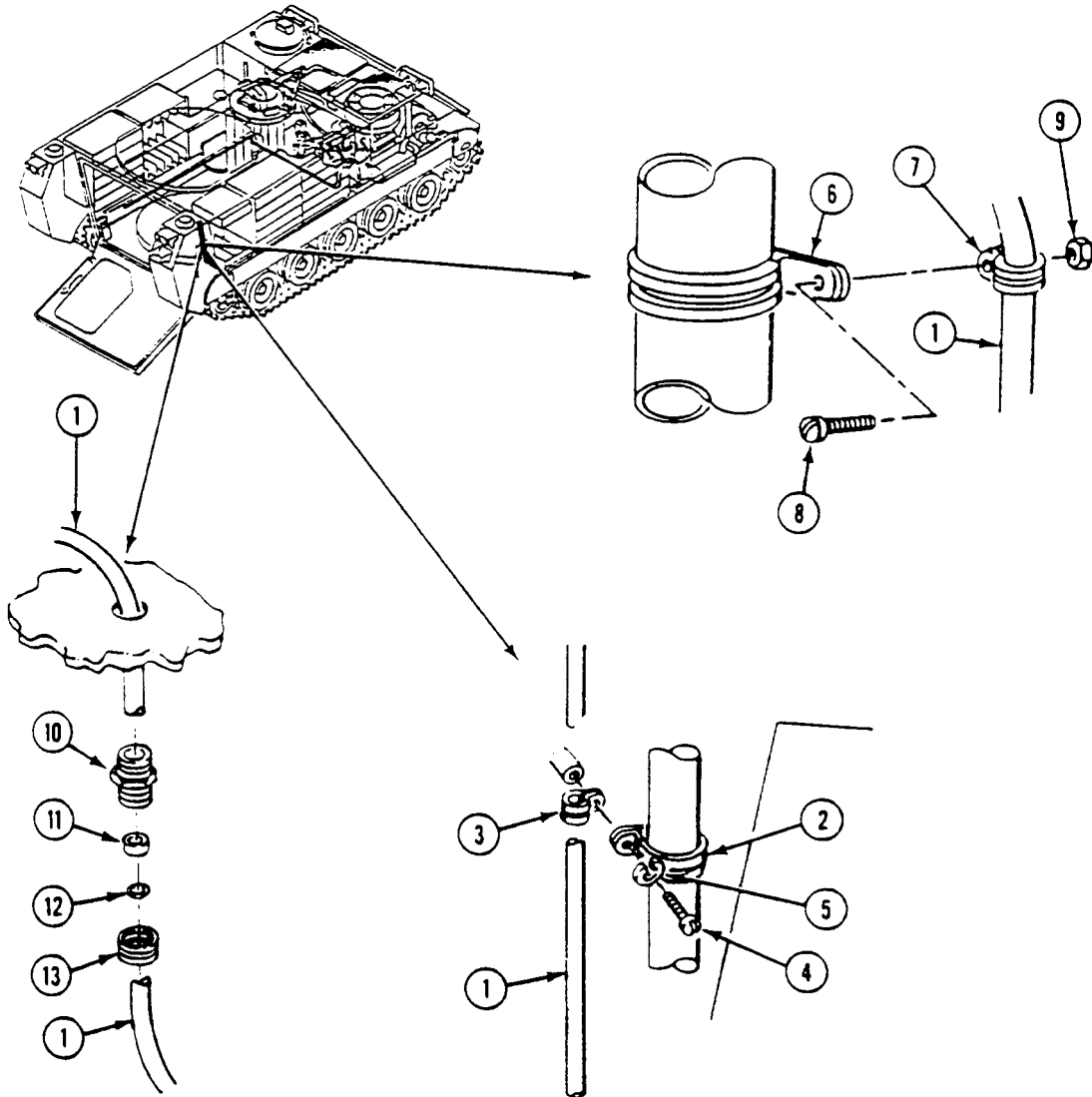
45. Install harness (1) in three clamps (2). Secure with three new lockwashers (3) and screws (20).
46. Install clamp (4) on harness (1) with screw (5) and new locknut (6).
47. Secure clamp (4) to floor beam (7) with two screws (8) and new locknuts (9).
48. Connect circuit 21 (10), 22 (11), 23 (12), and 24 (13) leads to four trailer wiring harness leads (14)(15)(16)(17).
49. Connect circuit 451 lead (18) to rear bilge pump (19).



REPLACE REAR MAIN WIRING HARNESS (M1064A3 ONLY) — Continued

0364 00

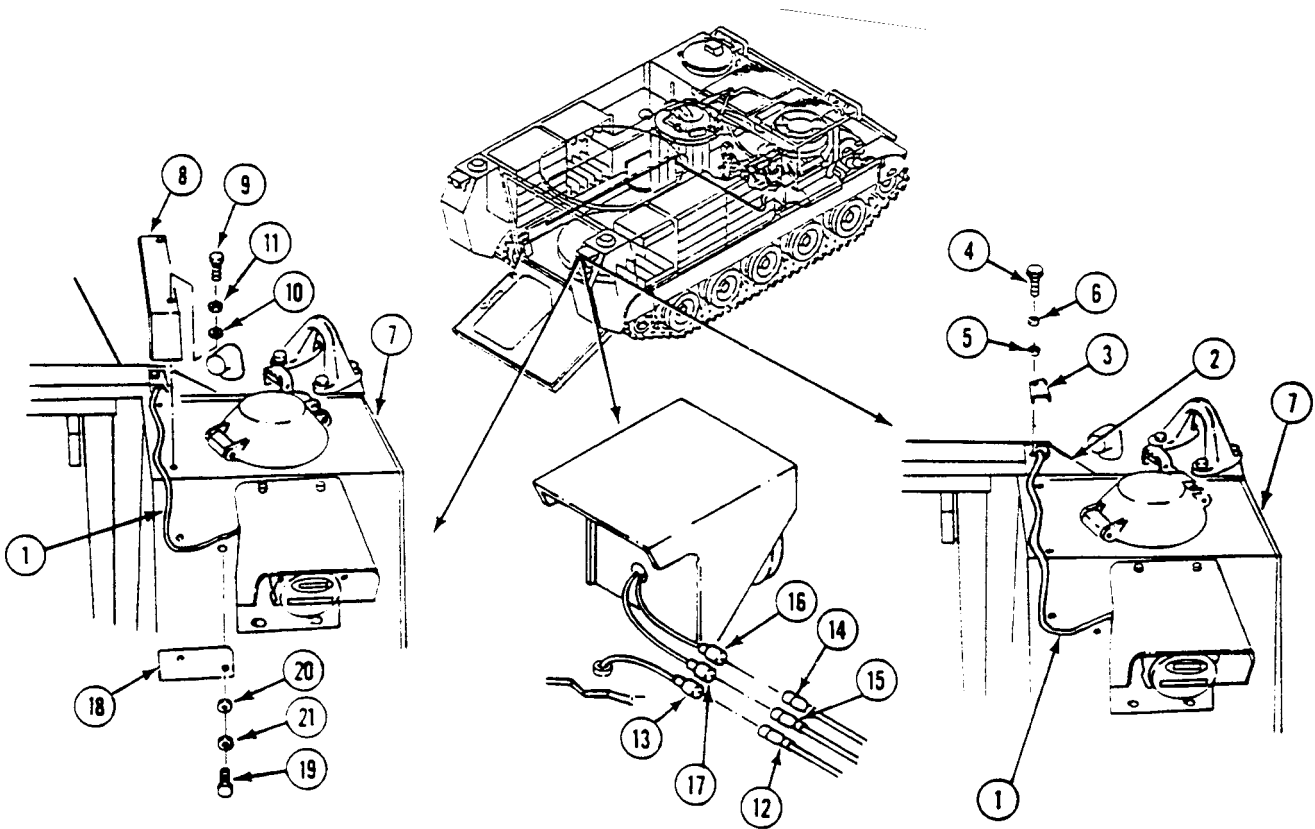
50. Secure harness (1) to two lower bilge tube clamps (2) with two clamps (3), screws (4), and new lockwashers (5).
51. Secure harness (1) to upper bilge tube clamp (6) with clamp (7), screw (8), and new locknut (9).
52. Insert harness right side branch (1) through hole in hull top.
53. Install connector (10) in hull.
54. Secure harness (1) in connector (10) with rubber bushing (11), washer (12), and nut (13).



REPLACE REAR MAIN WIRING HARNESS (M1064A3 ONLY) — Continued

0364 00

55. Insert harness (1) through hole in rear plate (2).
56. Install harness guard (3) on top of rear hull. Secure with screw (4), washer (5), and new lockwasher (6).
57. Route harness (1) along top of right fuel tank (7) and install harness bracket (8) over harness (1). Secure with two screws (9), washers (10), and new lockwashers (11).
58. Connect circuit 31 lead (12) to fuel transmitter lead (13) on right fuel tank (7).
59. Connect circuit 23 (14) and 24 (15) leads to right tail light leads (16)(17).
60. Install harness guard (18) over harness (1) on right fuel tank (7). Secure with two screws (19), washers (20), and new lockwashers (21).



FOLLOW-THROUGH STEPS

1. Install rear bilge pump strainer (WP 0635 00).
2. Install rear floor plate (WP 0543 00).
3. Connect battery ground strap (WP 0337 00).
4. Turn MASTER SWITCH to ON and start engine (see your -10).
5. Check that electrical system works properly (see your -10).
6. Raise and lock ramp (see your -10).
7. Stop engine (see your -10).

END OF TASK

REPLACE REAR MAIN WIRING HARNESS (M1068A3 ONLY)

0365 00

THIS WORK PACKAGE COVERS:

- Removal (page 0365 00-2).
 - Inspect and Repair (page 0365 00-14).
 - Installation (page 0365 00-15).
-

INITIAL SETUP:

Maintenance Level

Unit

Personnel Required

Unit Mechanic

Tools and Special Tools

General Mechanic's Tool Kit (WP 0926 00, Item 65)

Equipment Condition

Engine stopped (see your -10)

Carrier blocked (see your -10)

Ramp lowered (see your -10)

Battery access cover removed (see your -10)

Battery ground lead disconnected (WP 0338 00)

Rear floor plate removed (WP 0544 00)

Materials/Parts

Nonelectrical wire (WP 0928 00, Item 42)

Gasket

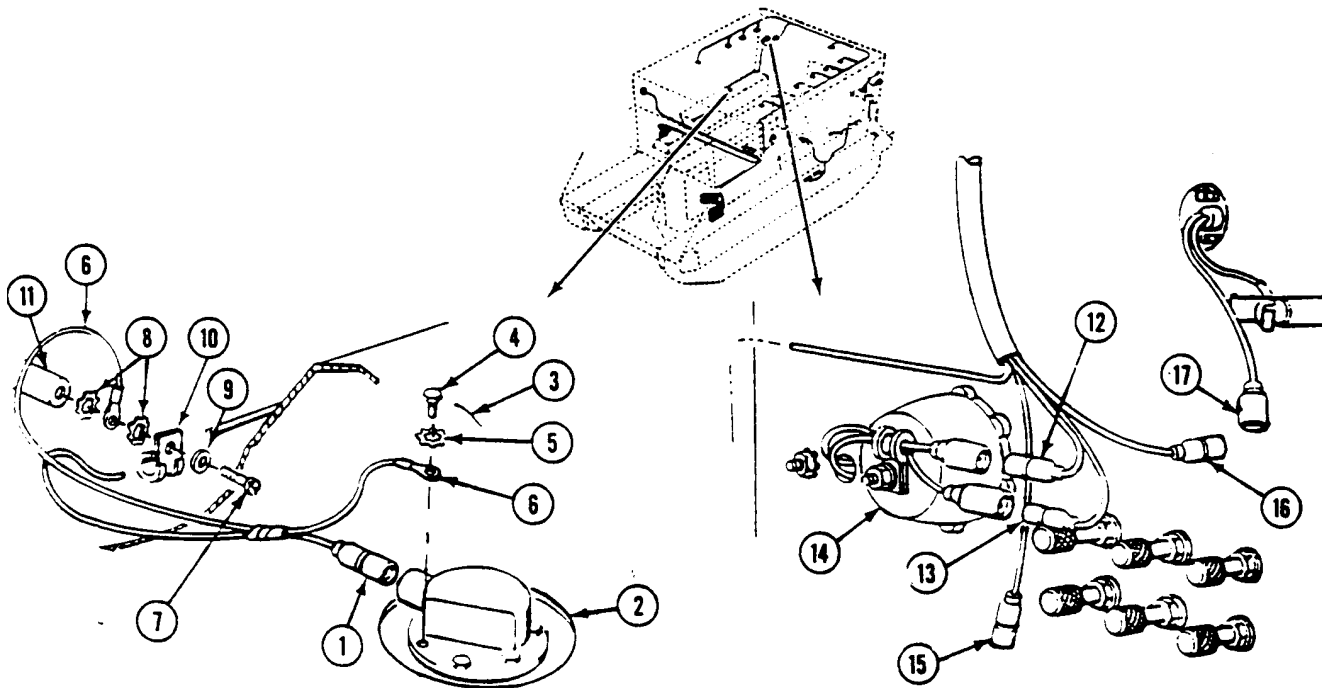
Grommet (10)

Locknut (35)

Lockwasher (26)

REMOVAL

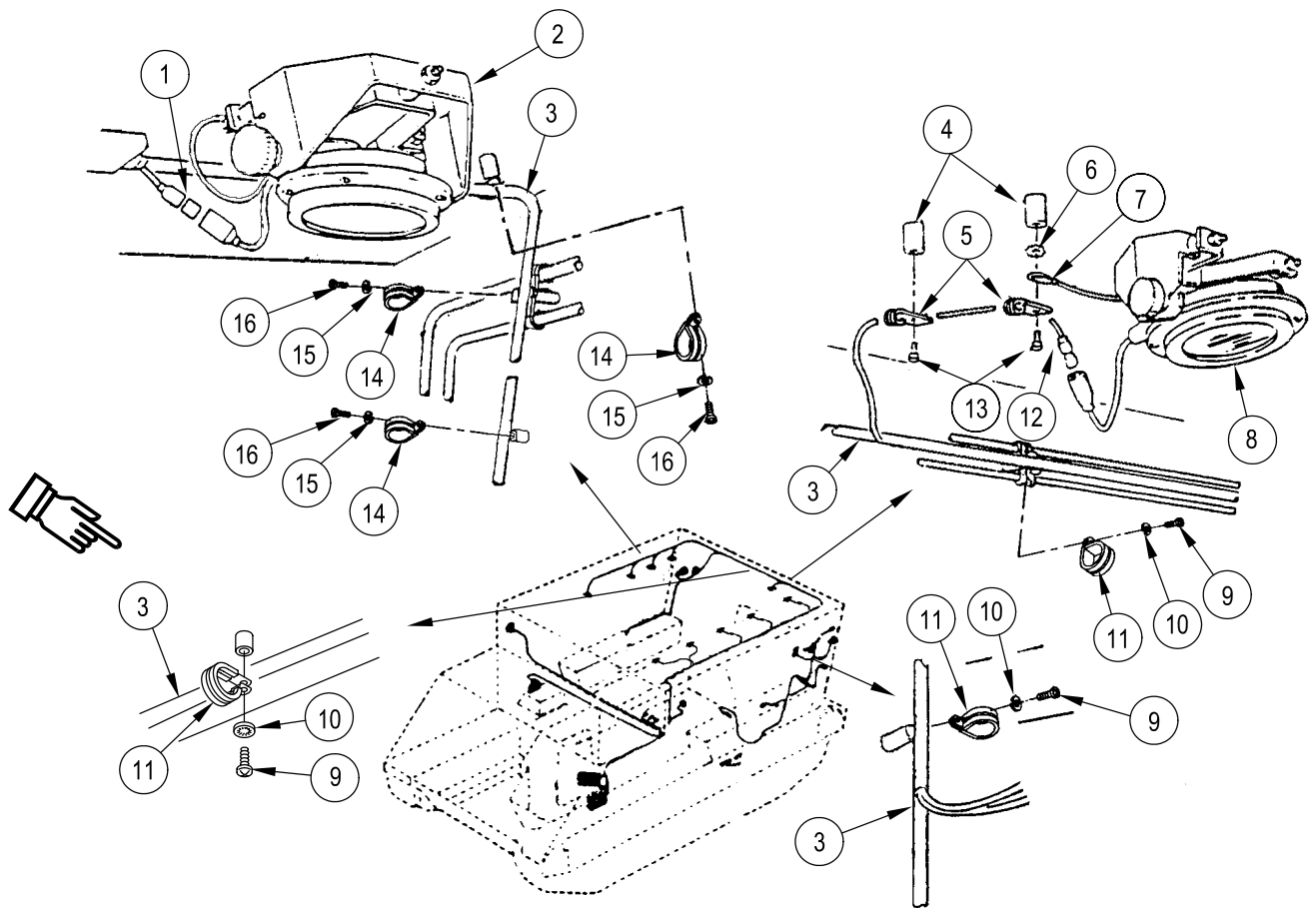
1. Disconnect circuit 29 lead (1) from right fuel quantity sending unit (2).
2. Remove lockwire (3), screw (4), lockwasher (5), and ground lead (6) from sending unit (2). Discard lockwire and lockwasher.
3. Remove four screws (7), two lockwashers (8), flat washer (9), ground lead (6), and clamps (10) from weldnuts (11). Remove clamps from circuit 29 lead (1). Discard lockwashers.
4. Disconnect circuit 23 lead (12) and circuit 24 lead (13) from right taillight (14).
5. If NBC unit is installed, disconnect circuit 415 lead (15) from NBC unit switch.
6. Disconnect circuit 37A lead (16) from right utility outlet lead (17).



REPLACE REAR MAIN WIRING HARNESS (M1068A3 ONLY) — Continued

0365 00

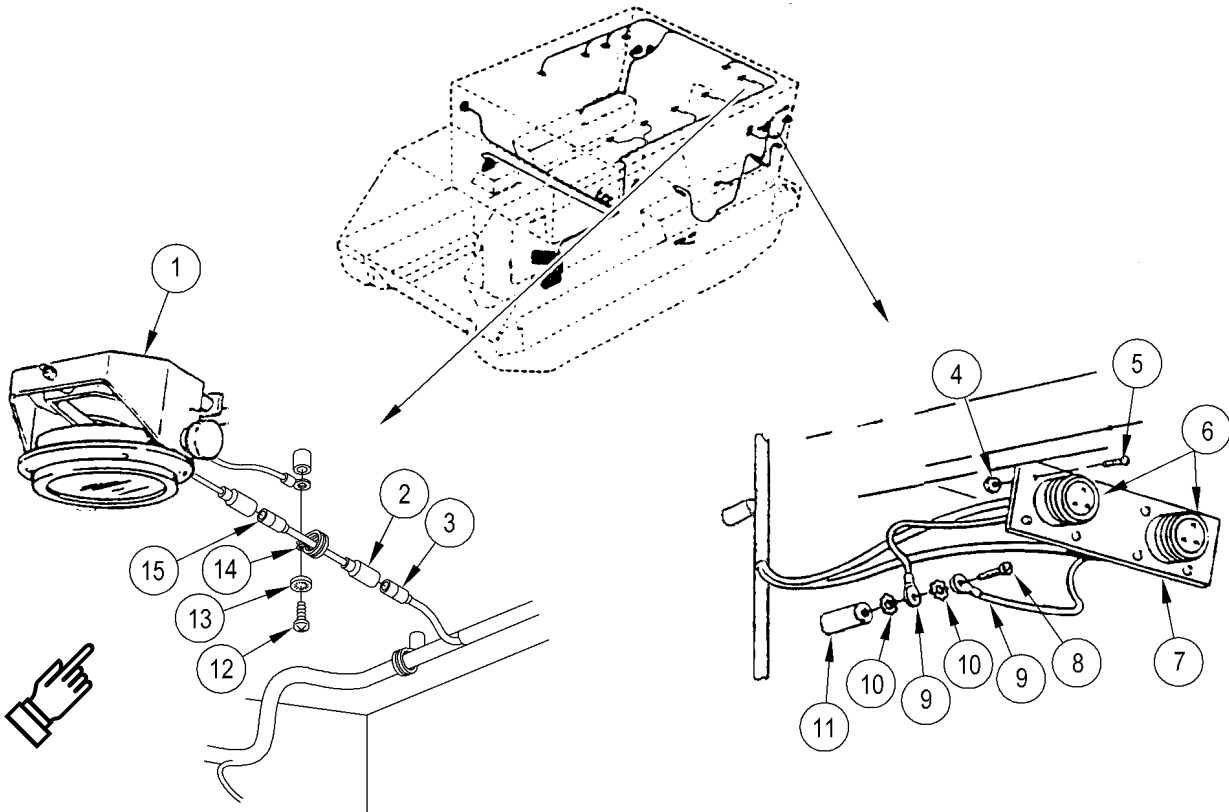
7. Remove six screws (16), lockwashers (15), six clamps (14), and rear main wiring harness (3) from weldnuts. Discard lockwashers.
8. Disconnect four circuit 38C leads (1) from four right side dome lights (2).
9. Remove six screws (9), lockwashers (10), clamps (11), and rear main wiring harness (3) from weldnuts. Discard lockwashers.
10. Disconnect circuit 38B lead (12) from rear blackout dome light (8).
11. Remove two screws (13), lockwasher (6), two clamps (5), and ground lead (7) from weldnuts (4). Remove clamps from circuit 38B lead (12). Discard lockwasher.



REPLACE REAR MAIN WIRING HARNESS (M1068A3 ONLY) — Continued

0365 00

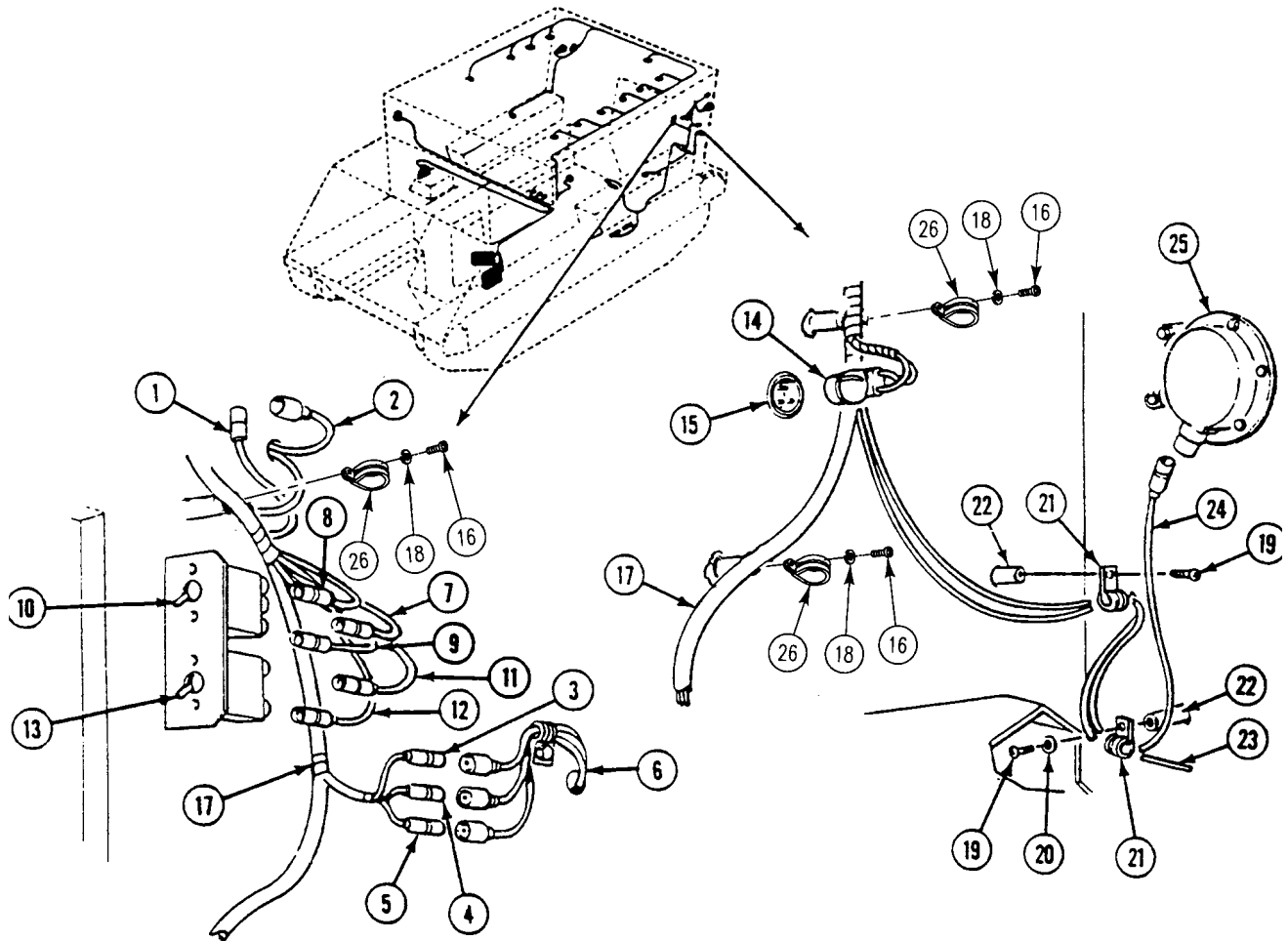
12. Disconnect three circuit 38C leads (3) from leads (2), and lead (15) from left side dome lights (1).
13. Remove three screws (12), lockwashers (13), clamps (14) and leads (2). Discard lockwashers.
14. Remove screw (8), two lockwashers (10), and ground leads (9) from weldnut (11). Discard lockwashers.
15. Remove eight screws (5), locknuts (4), and two circuit 48 connectors (6) from bracket (7). Discard locknuts.



REPLACE REAR MAIN WIRING HARNESS (M1068A3 ONLY) — Continued

0365 00

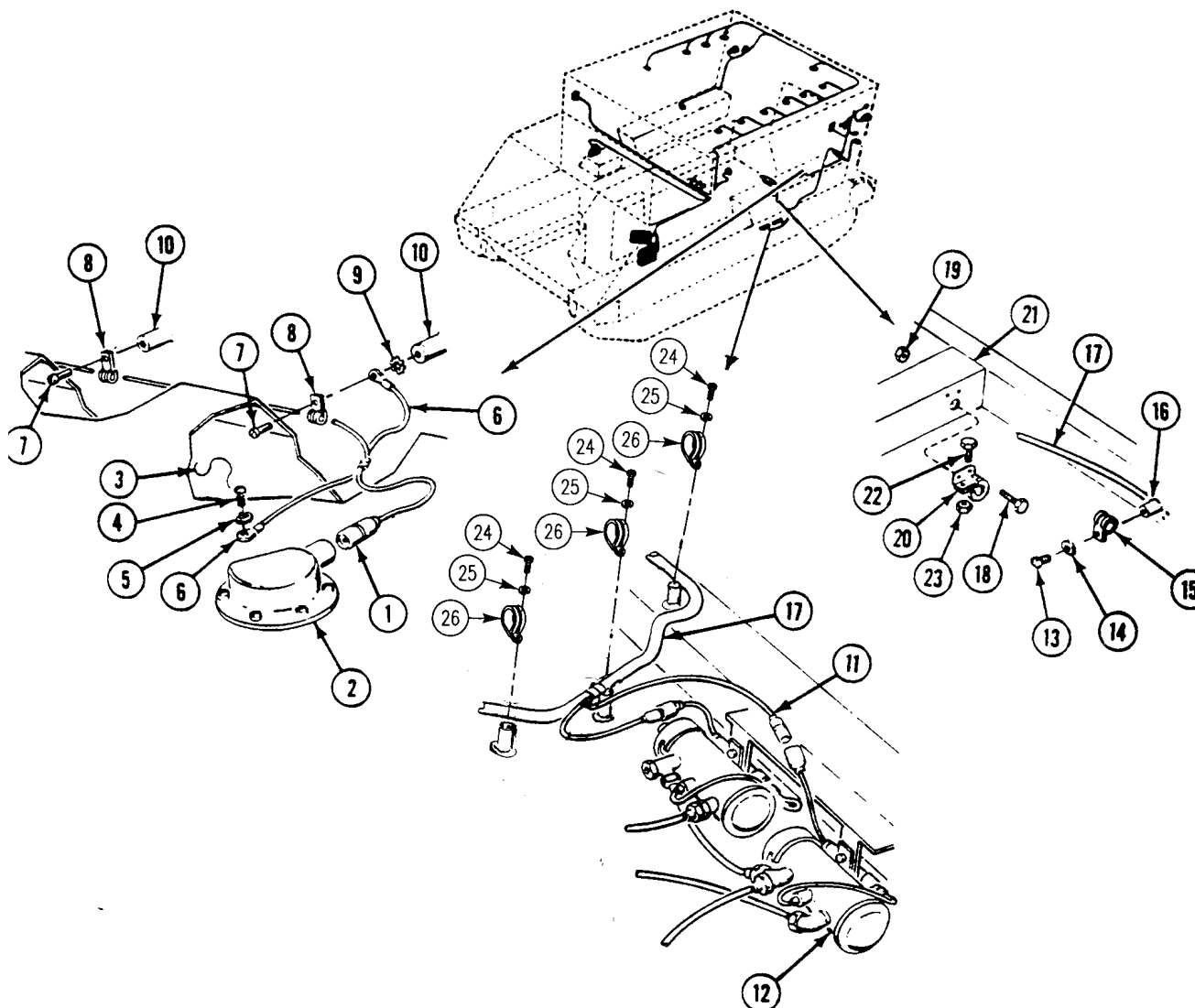
16. Disconnect circuit 37B lead (1) from left utility outlet lead (2).
17. Disconnect circuit 21 lead (3), circuit 22 lead (4), and circuit 24 lead (5) from left taillight leads (6).
18. Disconnect circuit 38 lead (7), circuit 38A lead (8), and circuit 38E lead (9) from dome light switch (10).
19. Disconnect circuit 38C lead (11) and circuit 38E lead (12) from blackout dome light switch (13).
20. Disconnect circuit 509 and 509A connector (14) from buzzer switch (15).
21. Remove seven screws (16), lockwashers (18), clamps (26), and rear main wiring harness (17) from seven weldnuts.
22. Remove two screws (19), lockwasher (20), and two clamps (21) from two weldnuts (22). Remove clamps from circuit 30 lead (23) and circuit 509 lead (24). Discard lockwasher.
23. Disconnect circuit 509 lead (24) from buzzer (25).



REPLACE REAR MAIN WIRING HARNESS (M1068A3 ONLY) — Continued

0365 00

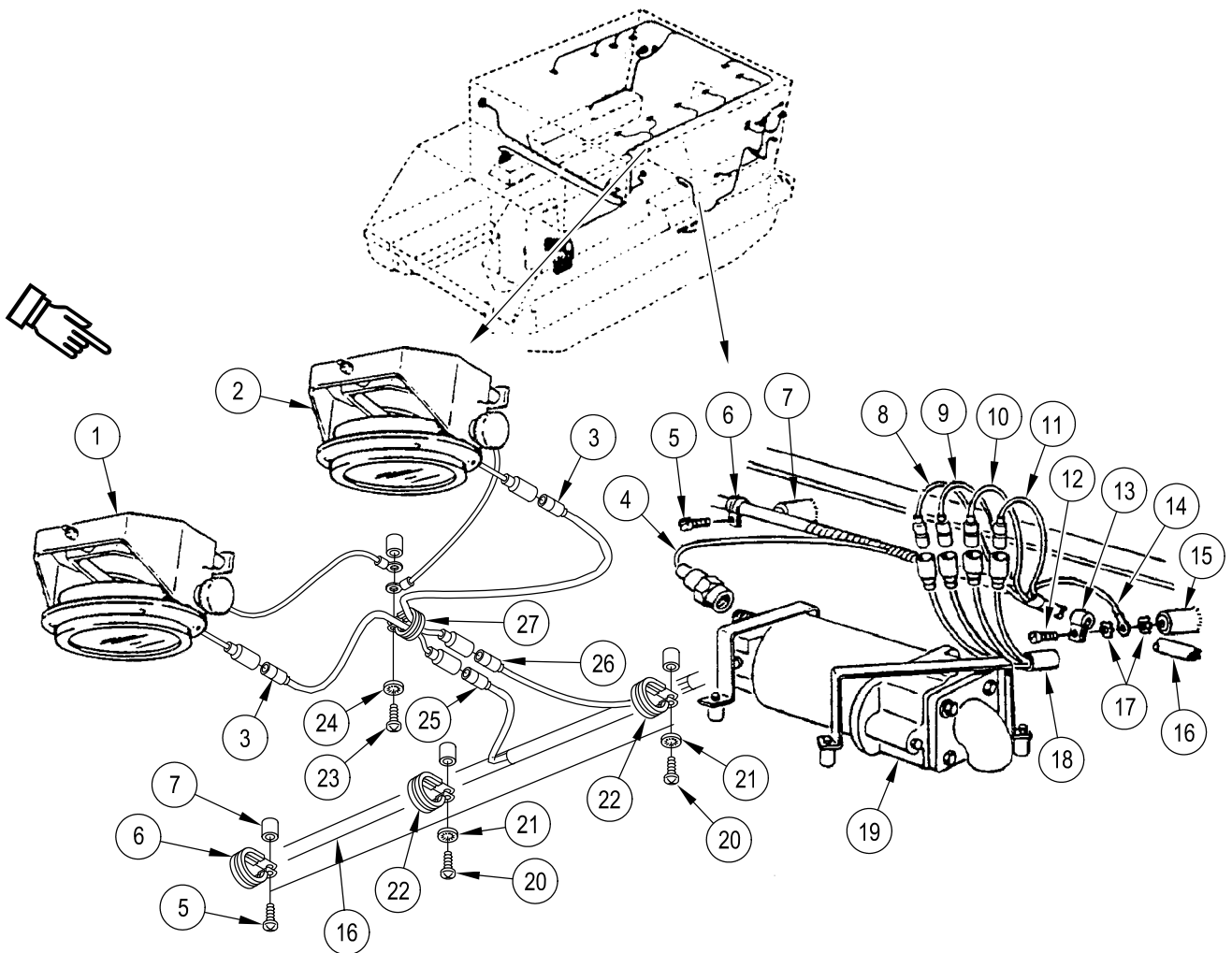
24. Disconnect circuit 30 lead (1) from left fuel quantity sending unit (2).
25. Remove lockwire (3), one screw (4), lockwasher (5), and ground lead (6) from sending unit (2). Discard lockwire and lockwasher.
26. Remove three screws (7), clamps (8), lockwashers (9), and ground lead (6) from weldnuts (10). Remove clamps from circuit 30 lead (1). Discard lockwashers.
27. Disconnect circuit 402 lead (11) from personnel heater fuel pump (12).
28. Remove screw (13), lockwasher (14), and clamp (15) from weldnut (16). Remove clamp from rear main wiring harness (17). Discard lockwasher.
29. Remove two screws (18), locknuts (19), clamp (20), and rear main wiring harness (17) from floor transverse beam (21). Discard locknuts.
30. Remove screw (22), locknut (23), and clamp (20) from rear main wiring harness (17). Discard locknut.
31. Remove three screws (24), lockwashers (25), clamps (26), and rear main wiring harness (17) from weldnuts. Discard lockwashers.



REPLACE REAR MAIN WIRING HARNESS (M1068A3 ONLY) — Continued

0365 00

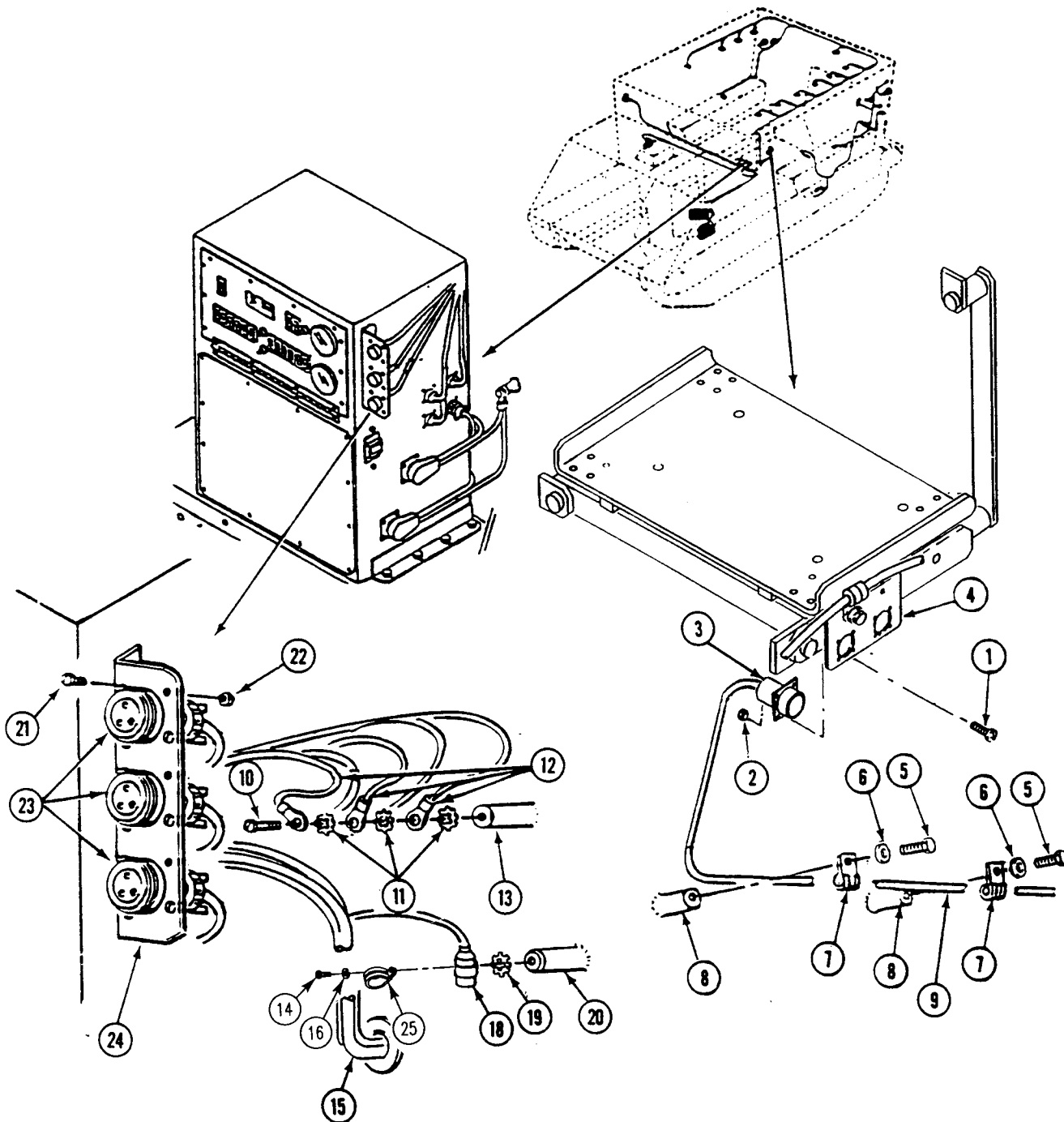
32. Disconnect circuit 21 lead (8), circuit 22 lead (9), circuit 23 lead (10), and circuit 24 lead (11) from trailer wiring harness (18).
33. Disconnect circuit 451 lead (4) from rear bilge pump (19).
34. Remove screw (12), two lockwashers (17), clamp (13), and trailer wiring harness ground lead (14) from weldnut (15). Remove clamp from rear main wiring harness (16). Discard lockwashers.
35. Pull circuit 21 lead (8), circuit 22 lead (9), circuit 23 lead (10), circuit 24 lead (11), and circuit 451 lead (4) through opening in transverse beam.
36. Remove two screws (5) and clamps (6) from two weldnuts (7). Remove clamps from rear main wiring harness (16).
37. Remove eight screws (20), lockwashers (21), clamps (22), and rear main wiring harness (16) from eight weldnuts.
38. Remove screw (23), lockwasher (24), clamp (27), and two leads (3). Discard lockwasher.
39. Disconnect circuit 38C lead (25) from lead (3), and lead (3) from left dome light (1).
40. Disconnect circuit 38B lead (26) from lead (3), and lead (3) from front blackout light (2).



REPLACE REAR MAIN WIRING HARNESS (M1068A3 ONLY) — Continued

0365 00

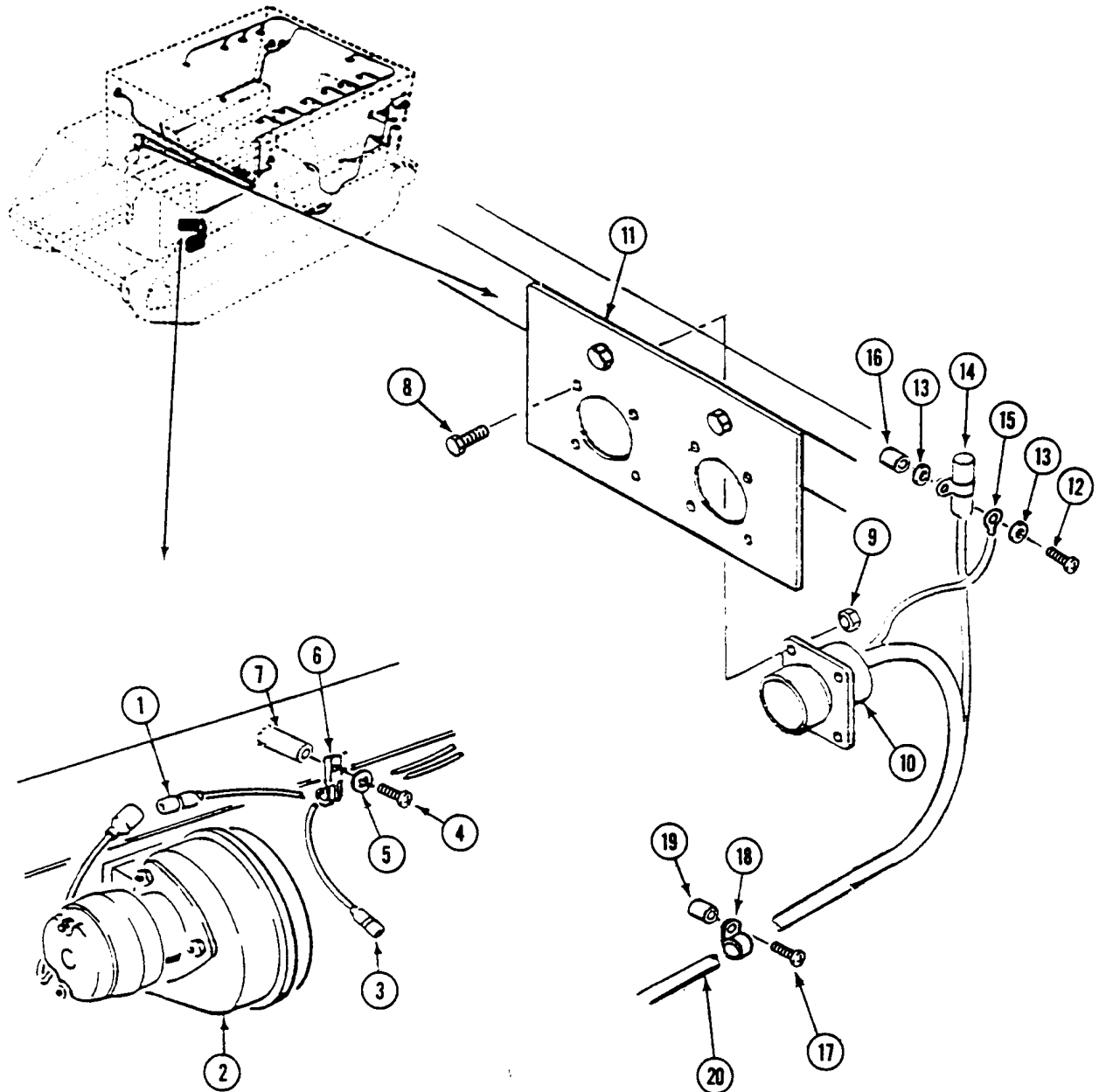
41. Remove four screws (1), locknuts (2), and circuit 48A connector (3) from bracket (4). Discard locknuts.
42. Remove two screws (5), lockwashers (6), and clamps (7) from two weldnuts (8). Remove clamps from circuit 48A lead (9). Discard lockwashers.
43. Remove screw (10), three lockwashers (11), and ground leads (12) from weldnut (13). Discard lockwashers.
44. Remove screw (14), lockwasher (16), clamp (25), circuit 48C capacitor (18), lockwasher (19), and rear main wiring harness (15) from weldnuts. Discard lockwashers.
45. Remove 12 screws (21), locknuts (22), and three circuit 48 connectors (23) from bracket (24). Discard locknuts.



REPLACE REAR MAIN WIRING HARNESS (M1068A3 ONLY) — Continued

0365 00

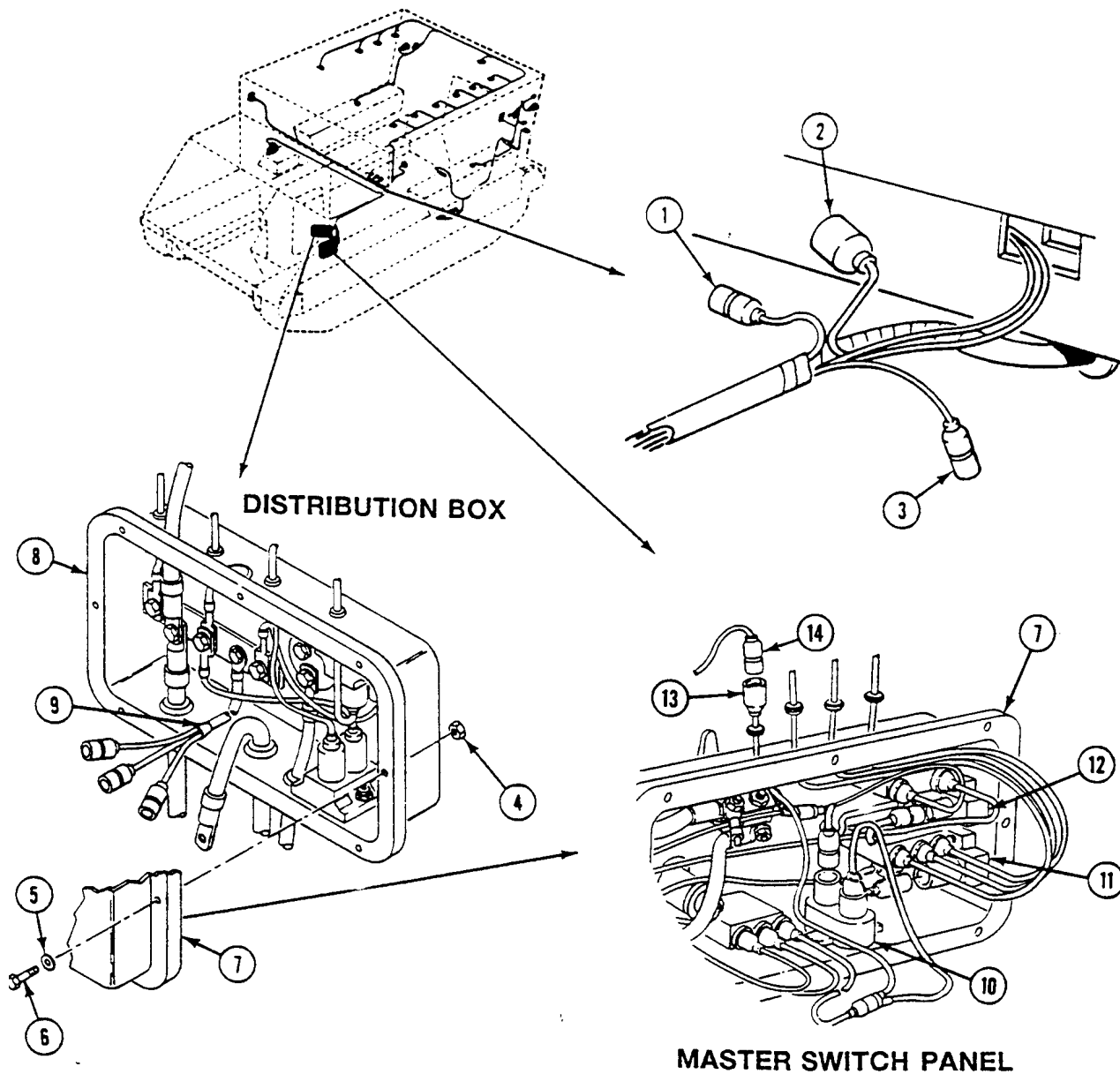
46. Disconnect circuit 59 lead (1) from blower (2).
47. If NBC unit is installed, disconnect circuit 415 lead (3) from NBC unit.
48. Remove screw (4), lockwasher (5), and clamp (6) from weldnut (7). Remove clamp from circuit 59 lead (1) and circuit 415 lead (3). Discard lockwasher.
49. Remove four screws (8), nuts (9), and circuit 48 connector (10) from bracket (11).
50. Remove screw (12), two lockwashers (13), circuit 48 capacitor (14), and ground lead (15) from weldnut (16). Discard lockwashers.
51. Remove six screws (17) and clamps (18) from six weldnuts (19). Remove clamps from circuit 48 lead (20).



REPLACE REAR MAIN WIRING HARNESS (M1068A3 ONLY) — Continued

0365 00

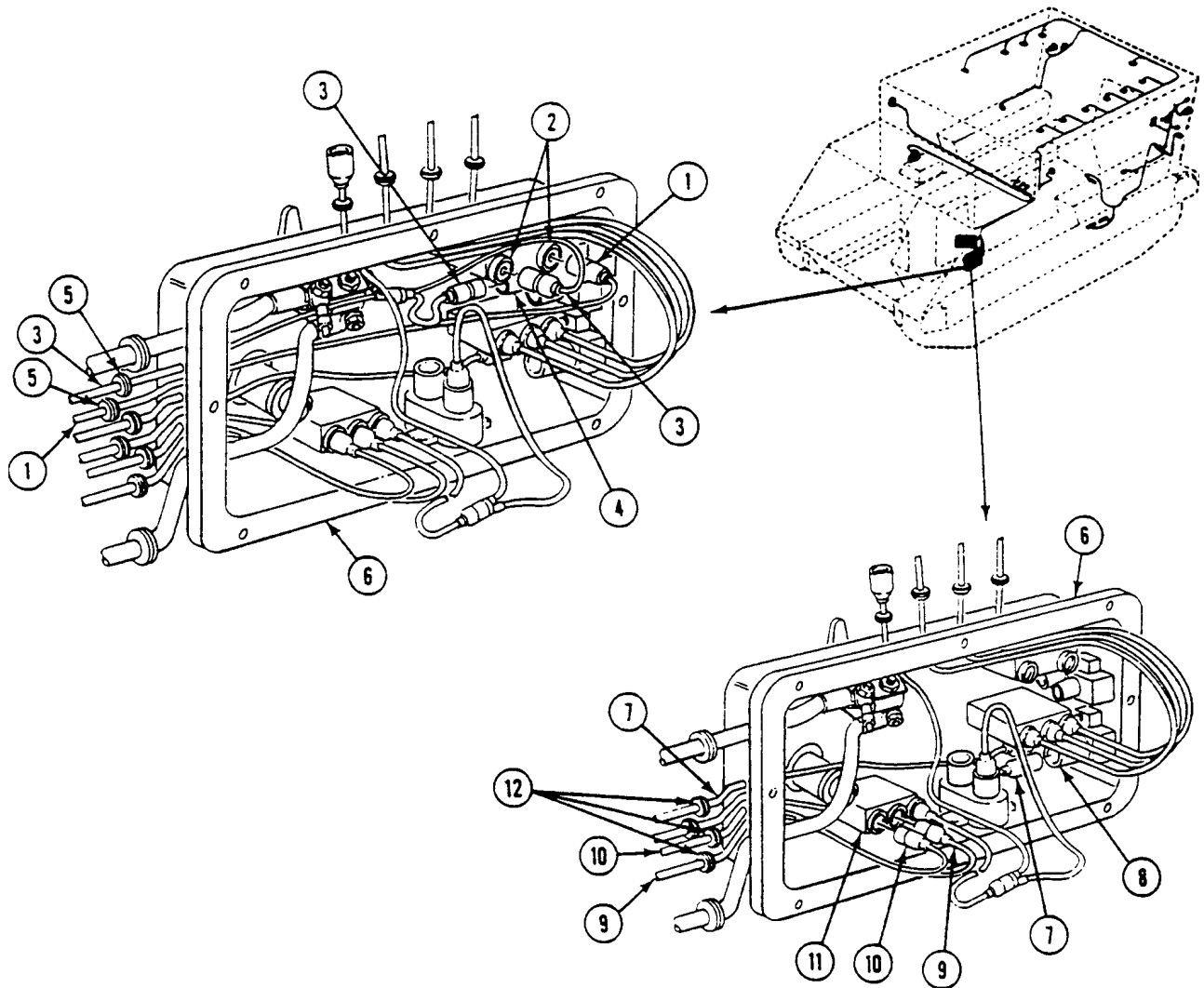
52. Disconnect circuit 400 lead (1) from personnel heater control box.
53. Disconnect circuit 402 lead (2) from personnel heater wiring harness.
54. If NBC unit is installed, disconnect circuit 415 lead (3) from NBC unit.
55. Remove eight locknuts (4), washers (5), and screws (6). Separate master switch panel (7) from distribution box (8). Discard locknuts.
56. Disconnect wiring harness circuit 10 (9) from three circuit breakers (10), (11), and (12) in master switch panel (7).
57. Disconnect wiring harness (13) from circuit 38E lead (14).



REPLACE REAR MAIN WIRING HARNESS (M1068A3 ONLY) — Continued

0365 00

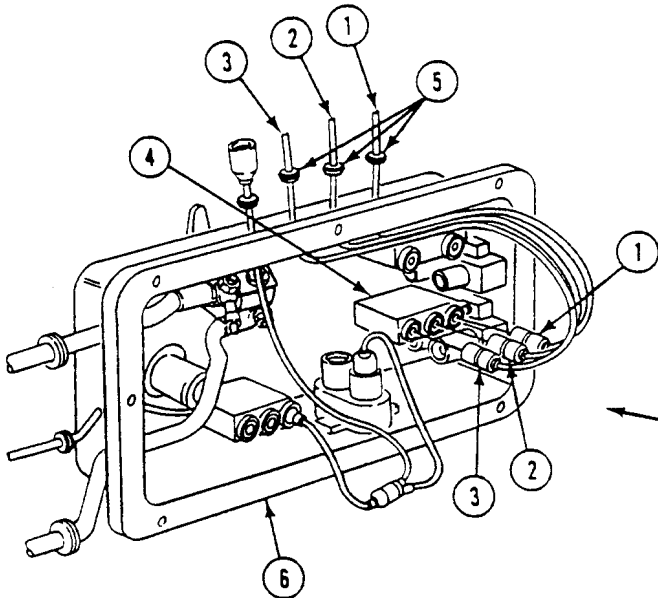
58. Disconnect circuit 59 lead (1) from blower switch (2).
59. Disconnect circuit 37B leads (3) from blower switch (2) and circuit breaker (4).
60. Remove circuit 59 lead (1), circuit 37B lead (3), and two grommets (5) from master switch panel (6). Discard grommets.
61. Disconnect circuit 37A lead (7) from circuit breaker (8).
62. Disconnect circuit 38 lead (9) and circuit 38A lead (10) from dome light switch (11).
63. Remove circuit 37A lead (7), circuit 38 lead (9), circuit 38A lead (10), and three grommets (12) from master switch panel (6). Discard grommets.



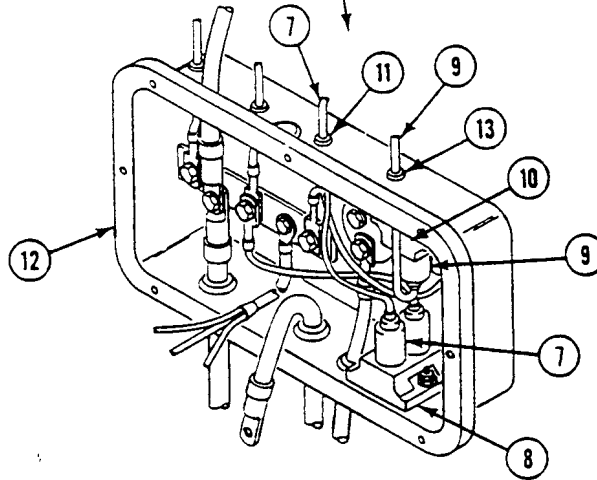
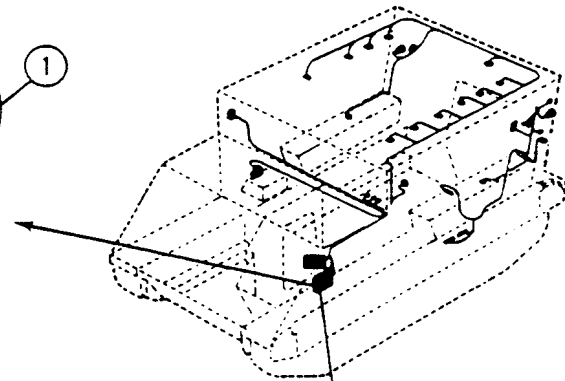
REPLACE REAR MAIN WIRING HARNESS (M1068A3 ONLY) — Continued

0365 00

64. Disconnect circuit 28 lead (1), circuit 29 lead (2), and circuit 30 lead (3) from fuel selector switch (4).
65. Remove circuit 28 lead (1), circuit 29 lead (2), circuit 30 lead (3), and three grommets (5) from master switch panel (6). Discard grommets.
66. Disconnect circuit 450 lead (7) from circuit breaker (8).
67. Disconnect circuit 450B lead (9) from circuit breaker (10).
68. Remove circuit 450 lead (7) and grommet (11) from distribution box (12). Discard grommet.
69. Remove circuit 450B lead (9) and grommet (13) from distribution box (12). Discard grommet.



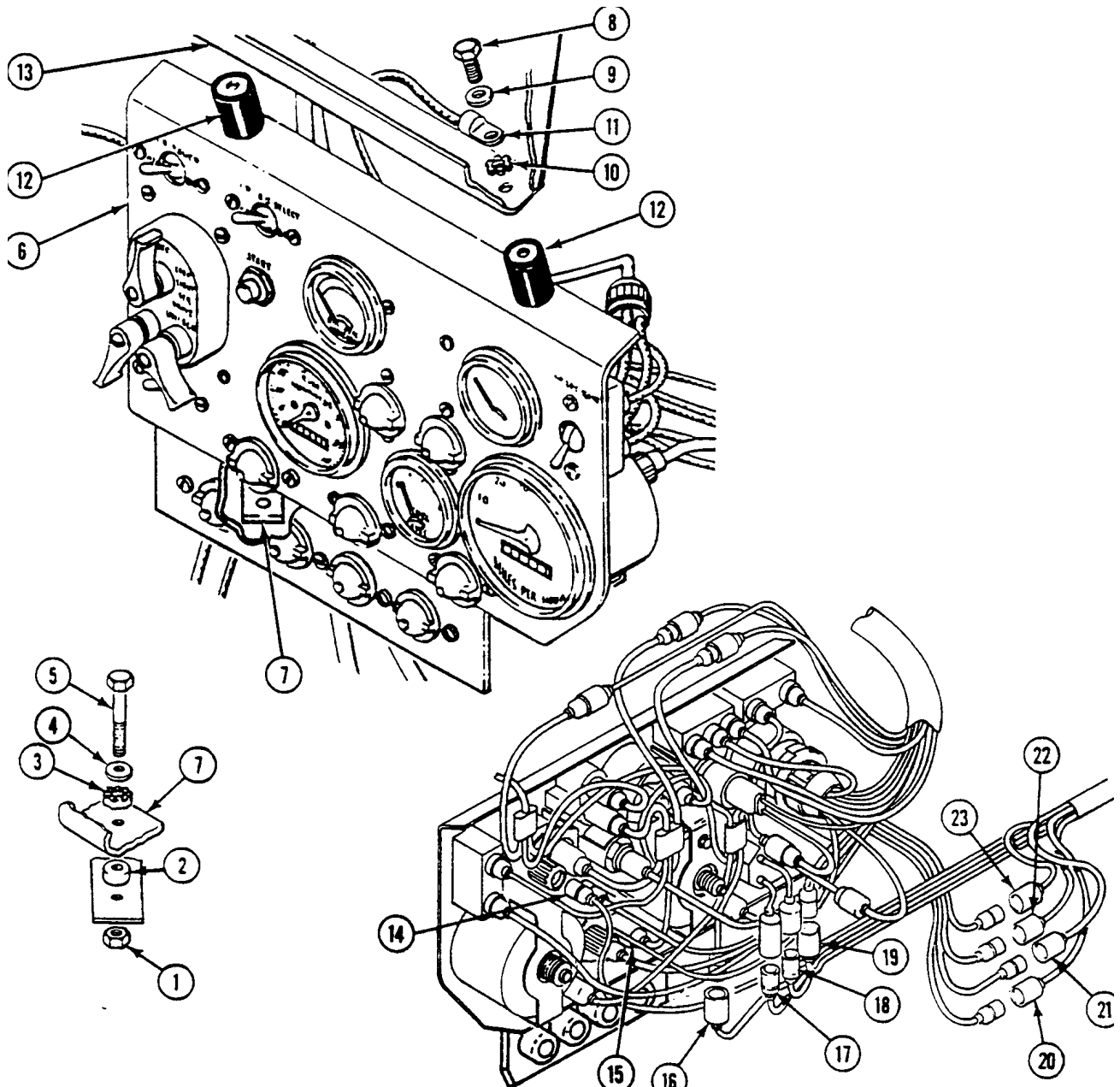
MASTER SWITCH PANEL



DISTRIBUTION BOX

REPLACE REAR MAIN WIRING HARNESS (M1068A3 ONLY) — Continued

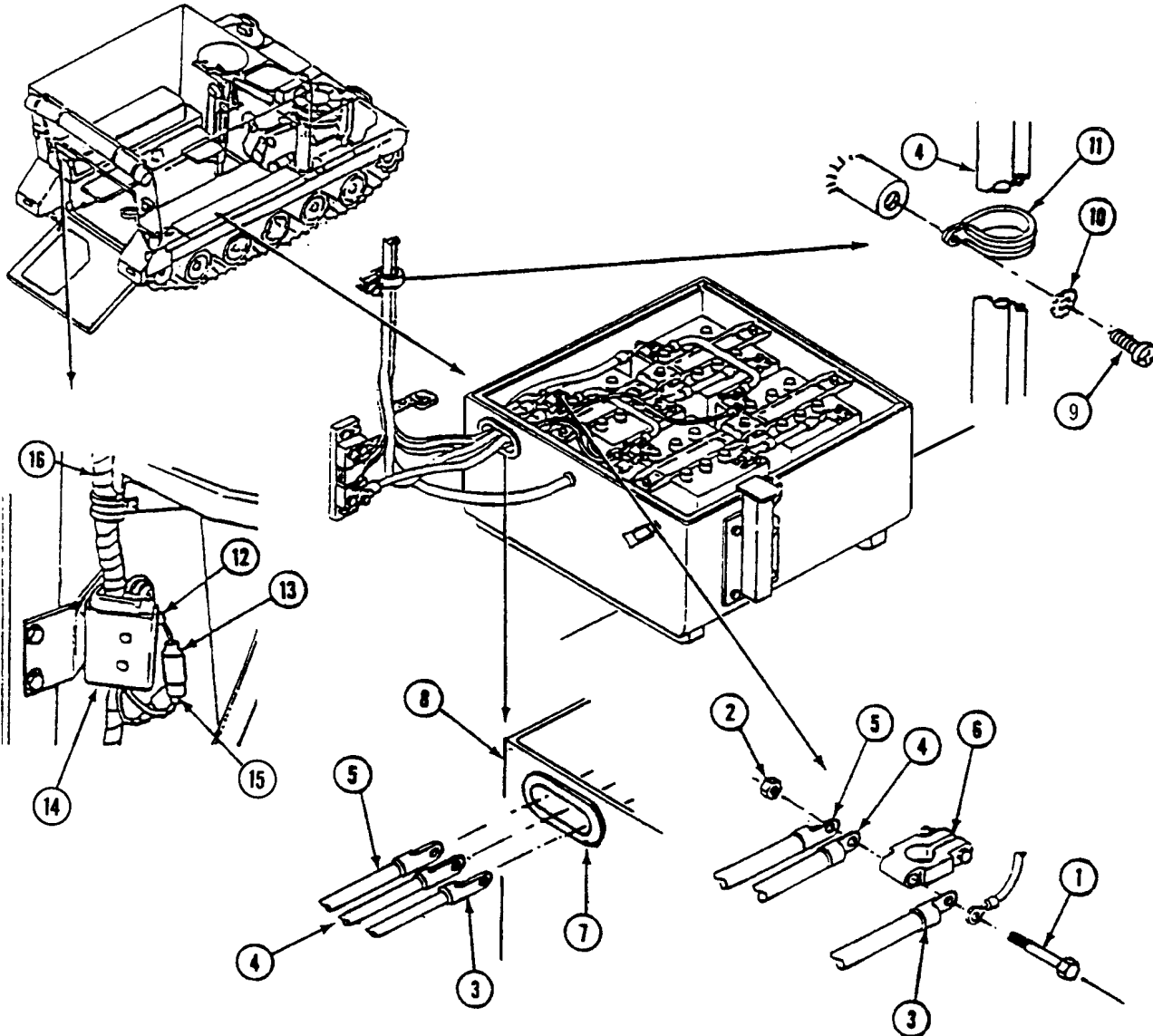
70. Remove two nuts (1), mounts (2) and (3), flat washers (4), and screws (5) that secure instrument panel (6) to two struts (7).
71. Support panel (6). Remove two screws (8), flat washers (9), lockwasher (10), and ground lead (11) from two mounts (12) and upper support (13). Discard lockwasher.
72. Support panel (6) on two struts (7) to gain access to rear of panel.
73. Disconnect circuit 28 lead (14) from fuel gauge.
74. Disconnect circuit 451B lead (15) from rear bilge pump ON indicator light.
75. Disconnect circuit 38 lead (16) from instrument panel wiring harness.
76. Disconnect circuit 450 lead (17), circuit 450B lead (18), and circuit 451A lead (19) from bilge pump switch.
77. Disconnect circuit 21 lead (20), circuit 22 lead (21), circuit 23 lead (22), and circuit 24 lead (23) from front main wiring harness.



REPLACE REAR MAIN WIRING HARNESS (M1068A3 ONLY) — Continued

0365 00

78. Remove screw (1), nut (2), circuit 6 lead (3), circuit 48B lead (4), and W4 cable (5) from battery terminal (6).
79. Remove circuit 48B lead (4), circuit 6 lead (3), and W4 cable (5) from battery box (8).
80. Remove three screws (9), lockwashers (10), and clamps (11) from circuit 48B lead (4). Discard lockwashers.
81. Disconnect circuit 38 lead (16), circuit 38B lead (12), and circuit 38C lead (13) from ramp door switch (14).
82. Remove rear main wiring harness (15) from carrier.

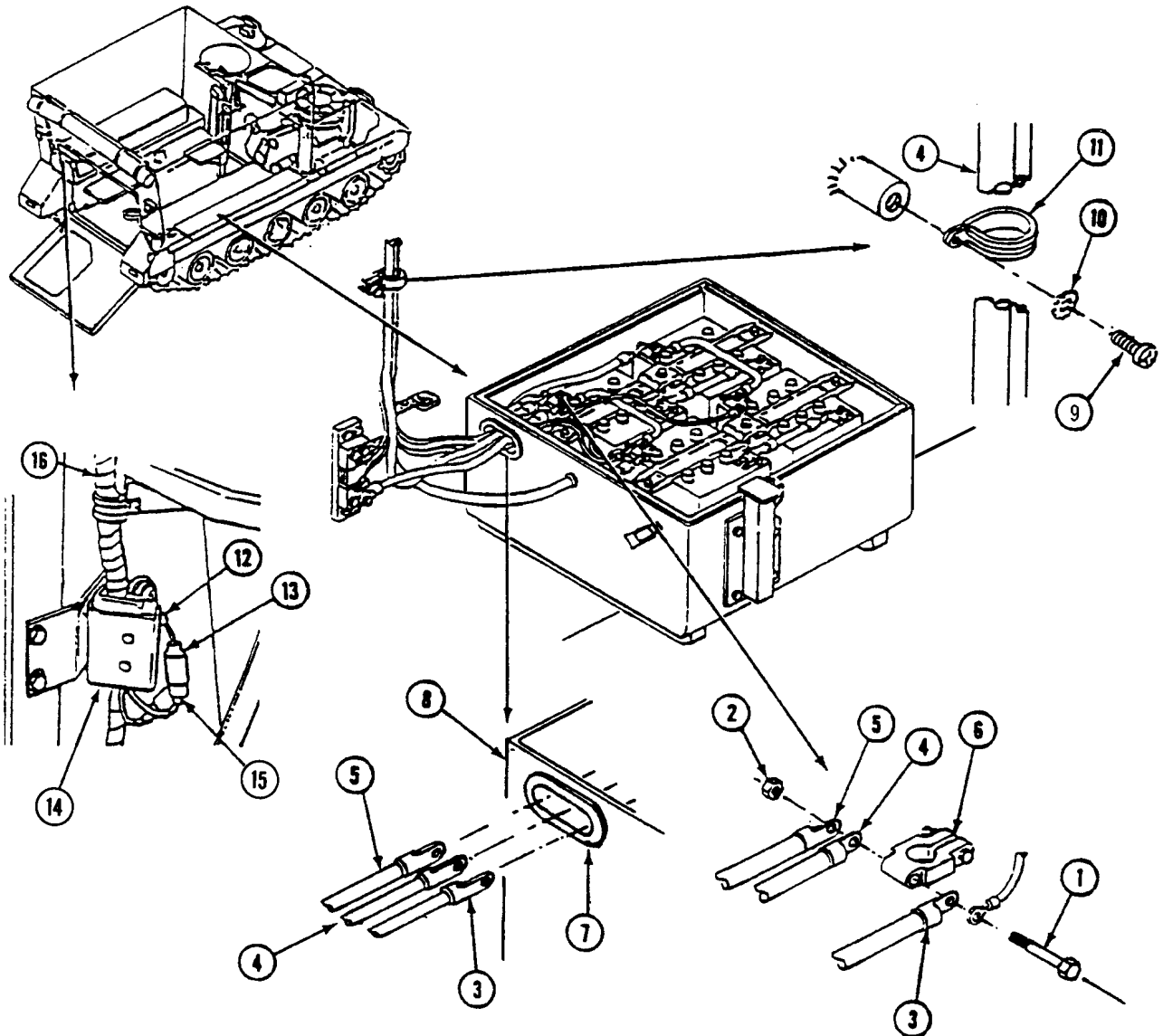


INSPECT AND REPAIR

1. Inspect for damaged leads, connectors, and terminals. Repair as needed (WP 0382 00).

INSTALLATION

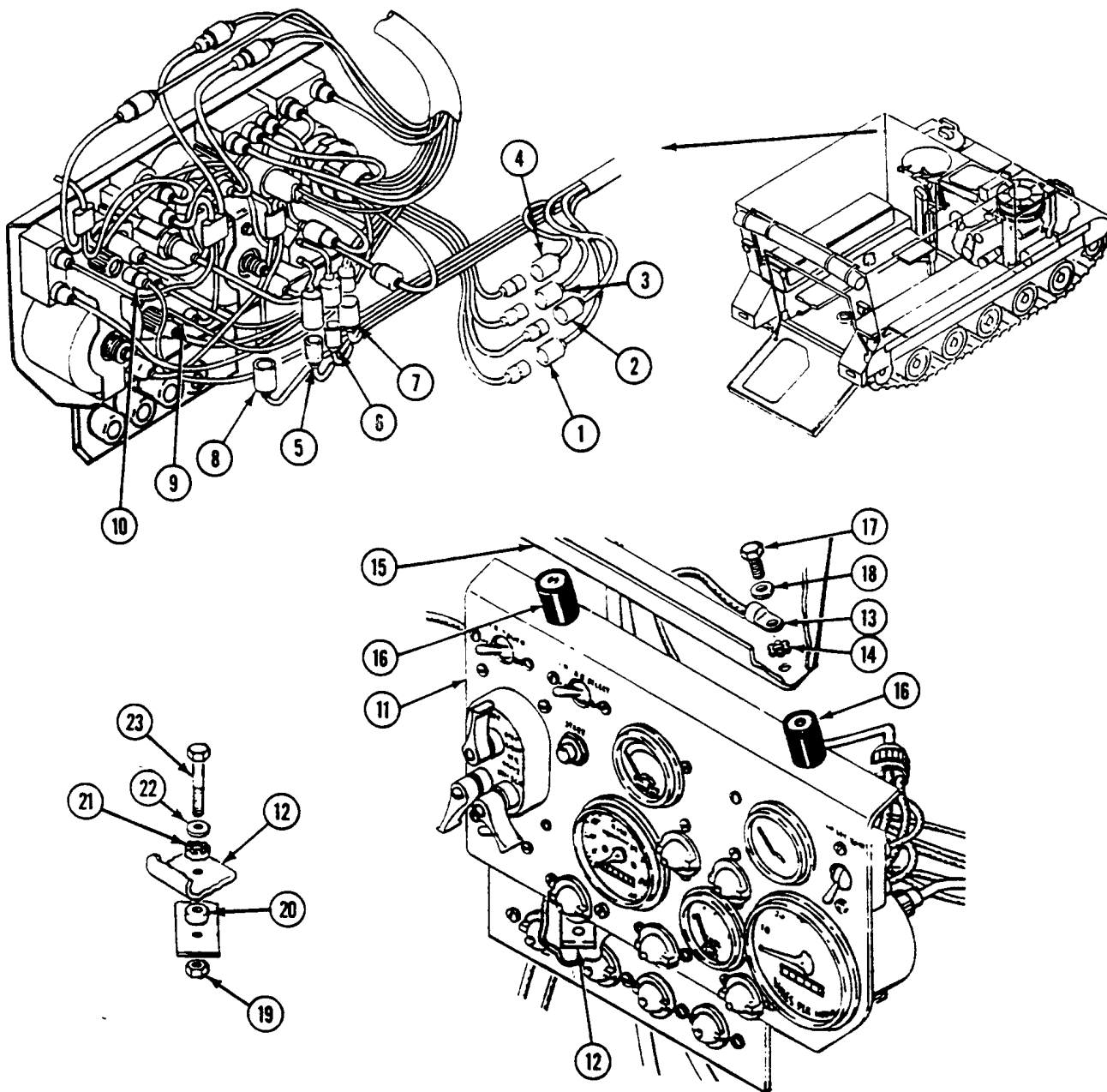
1. Install main rear wiring harness (15) in carrier.
2. Connect circuit 38 lead (16), circuit 38B lead (12), and circuit 38C lead (13) to ramp door switch (14).
3. Install three clamps (11), new lockwashers (10), and screws (9) on circuit 48B lead (4).
4. Install circuit 6 lead (3), circuit 48B lead (4), and W4 cable (5) through grommet (7). Connect leads to battery terminal (6) with screw (1) and nut (2).



REPLACE REAR MAIN WIRING HARNESS (M1068A3 ONLY) — Continued

0365 00

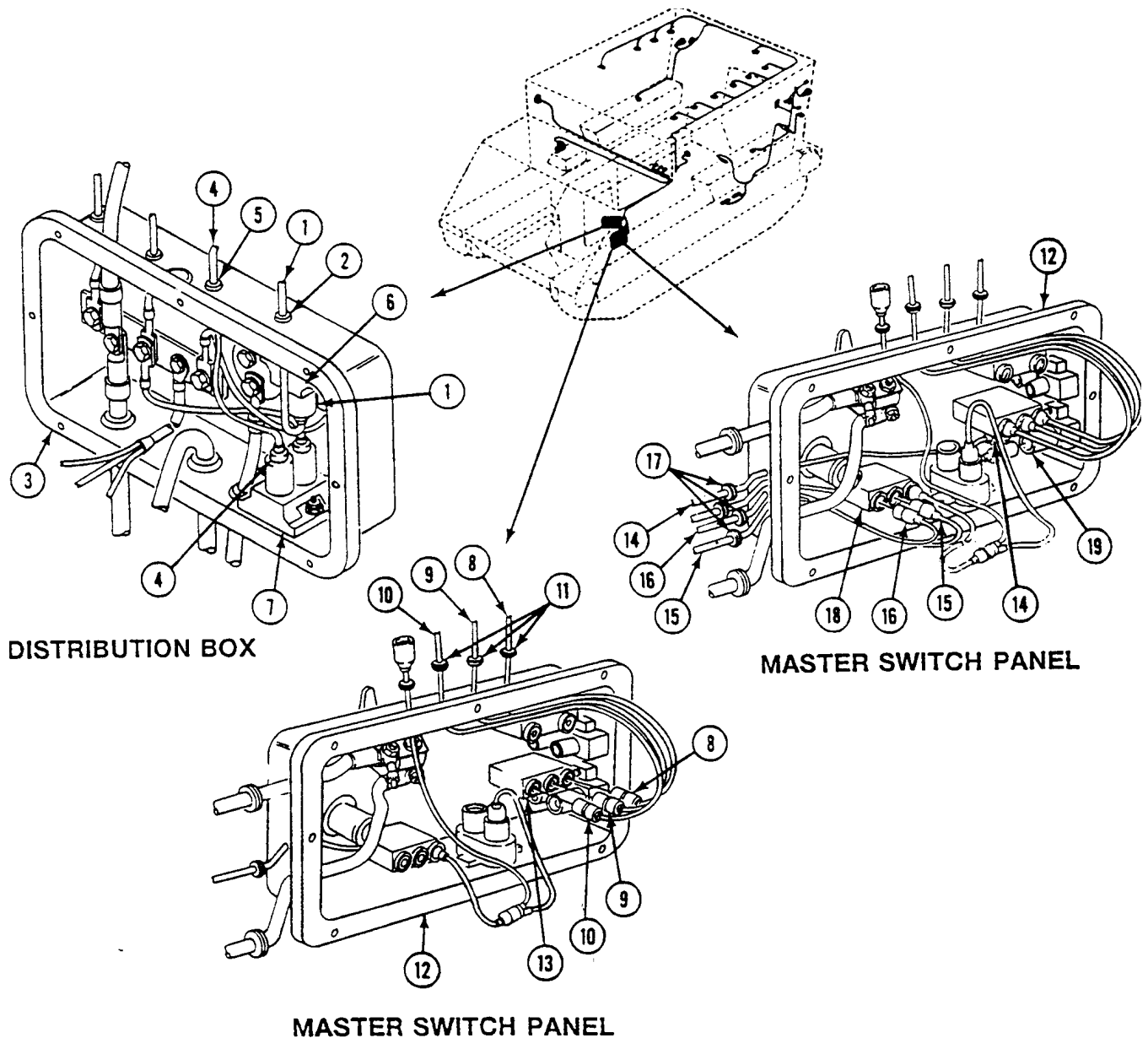
5. Connect circuit 21 lead (1), circuit 22 lead (2), circuit 23 lead (3), and circuit 24 lead (4) to front main wiring harness.
6. Connect circuit 450 lead (5), circuit 450B lead (6), and circuit 451A lead (7) to bilge pump switch.
7. Connect circuit 38 lead (8) to instrument panel wiring harness.
8. Connect circuit 451B lead (9) to rear bilge pump ON indicator light.
9. Connect circuit 28 lead (10) to fuel gauge.
10. Support instrument panel (11) on two struts (12).
11. Install ground lead (13), new lockwasher (14), and instrument panel (11) with two mounts (16) on upper support (15). Secure with two screws (17) and flat washers (18).
12. Install panel (11) on two struts (12). Secure with two nuts (19), mounts (20) and (21), flat washers (22), and screws (23).



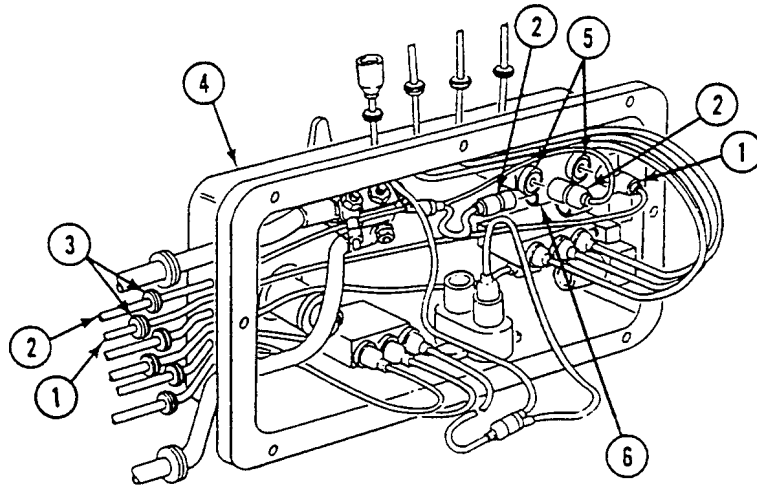
REPLACE REAR MAIN WIRING HARNESS (M1068A3 ONLY) — Continued

0365 00

13. Install circuit 450B lead (1) and new grommet (2) in distribution box (3).
14. Install circuit 450 lead (4) and new grommet (5) in distribution box (3).
15. Connect circuit 450B lead (1) to circuit breaker (6).
16. Connect circuit 450 lead (4) to circuit breaker (7).
17. Install circuit 28 lead (8), circuit 29 lead (9), circuit 30 lead (10), and three new grommets (11) in master switch panel (12).
18. Connect circuit 28 lead (8), circuit 29 lead (9), and circuit 30 lead (10) to fuel selector switch (13).
19. Install circuit 37A lead (14), circuit 38 lead (15), circuit 38A lead (16), and three new grommets (17) in master switch panel (12).
20. Connect circuit 38 lead (15) and circuit 38A lead (16) to dome light switch (18).
21. Connect circuit 37A lead (14) to circuit breaker (19).



22. Install circuit 59 lead (1), circuit 37B lead (2), and two grommets (3) in master switch panel (4).
23. Connect circuit 37B lead (2) to blower switch (5) and circuit breaker (6).
24. Connect circuit 59 lead (1) to blower switch (5).

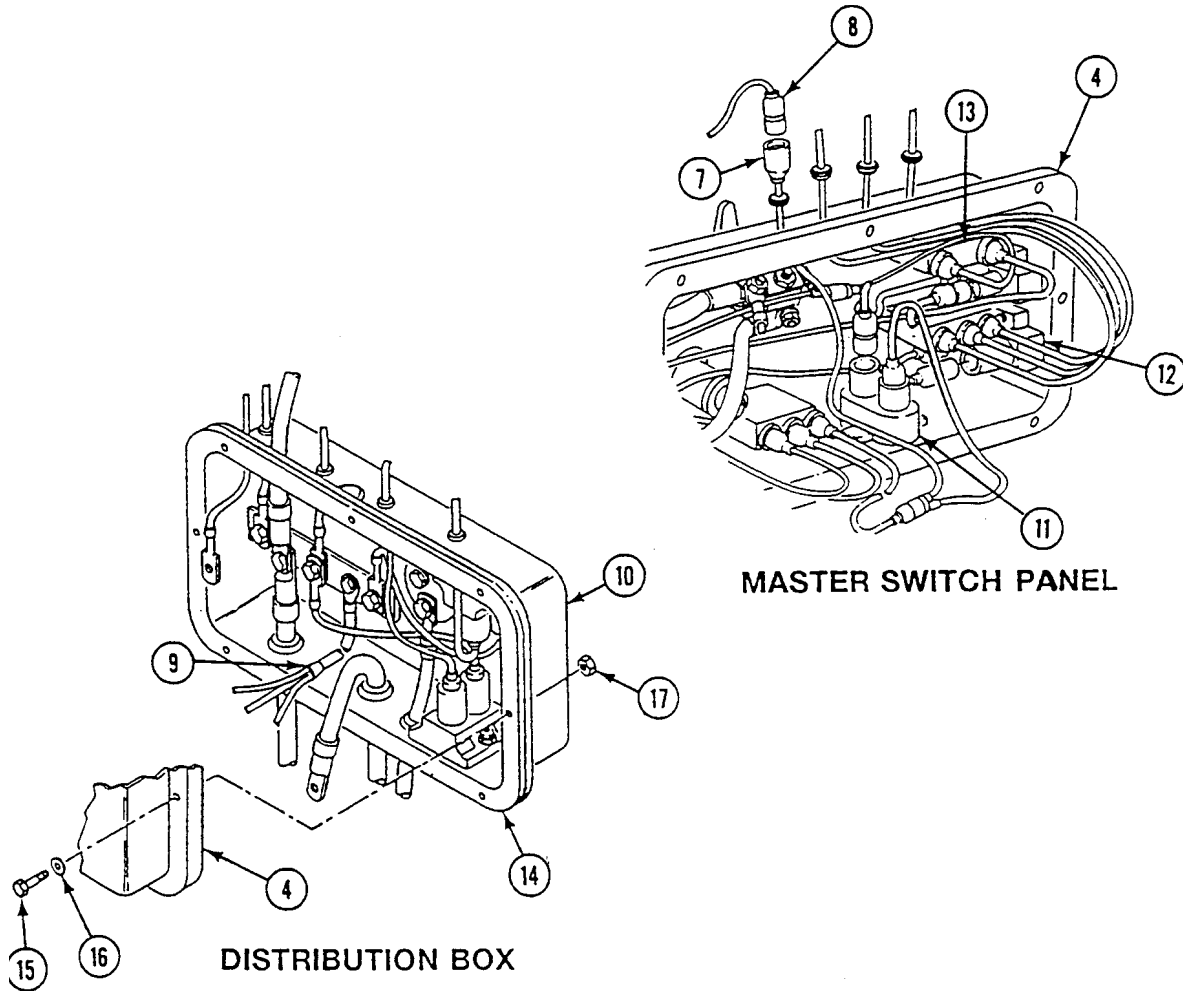
**MASTER SWITCH PANEL**

25. Connect wiring harness (7) to circuit 38E lead (8).
26. Connect wiring harness circuit 10 (9) to three circuit breakers (10), (11), and (12) in master switch panel (4).

NOTE

Inspect gasket. Replace if damaged.

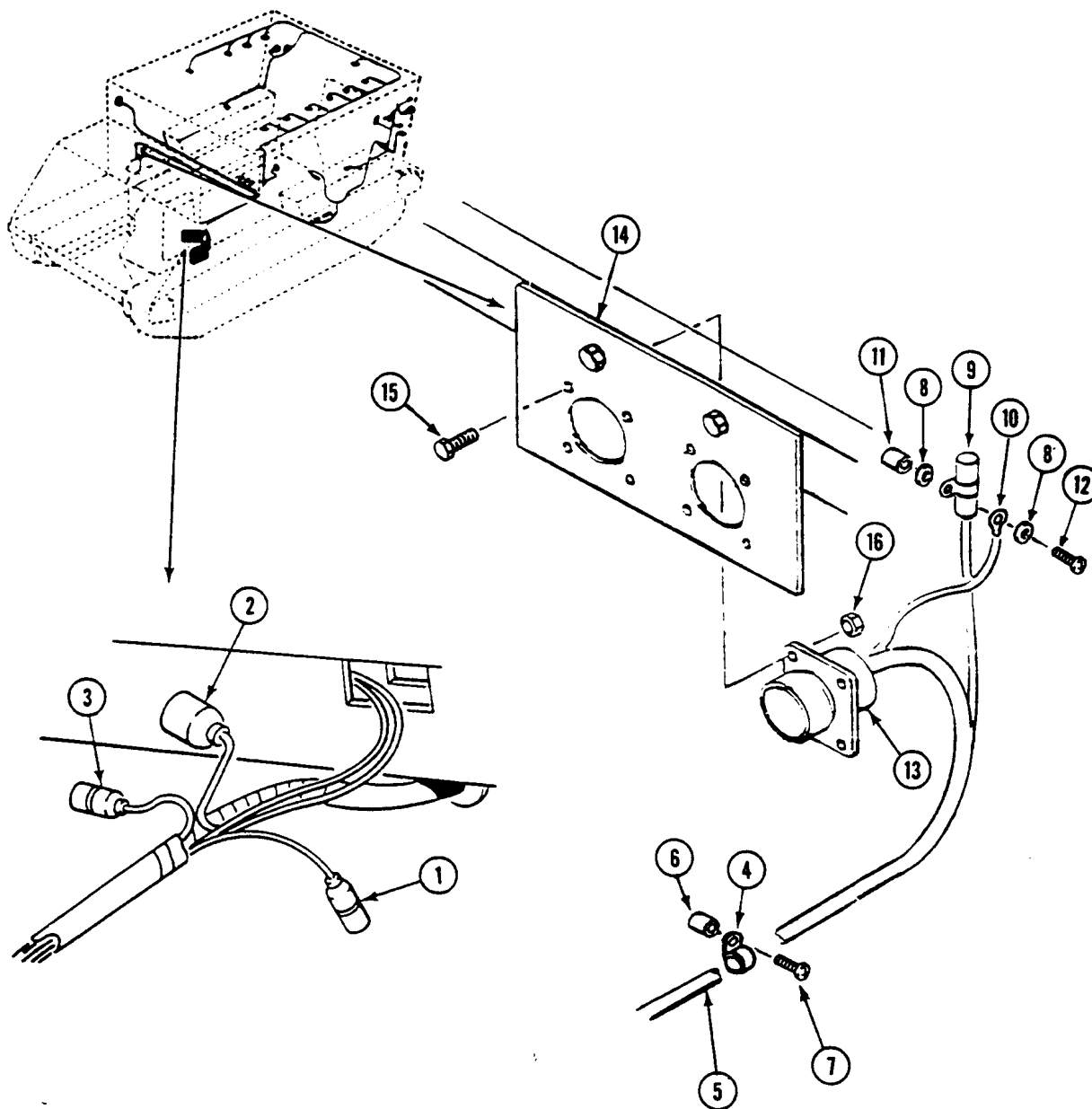
27. Install master switch panel (4) on distribution box (14). Secure with eight screws (15), washers (16), and new locknuts (17).



REPLACE REAR MAIN WIRING HARNESS (M1068A3 ONLY) — Continued

0365 00

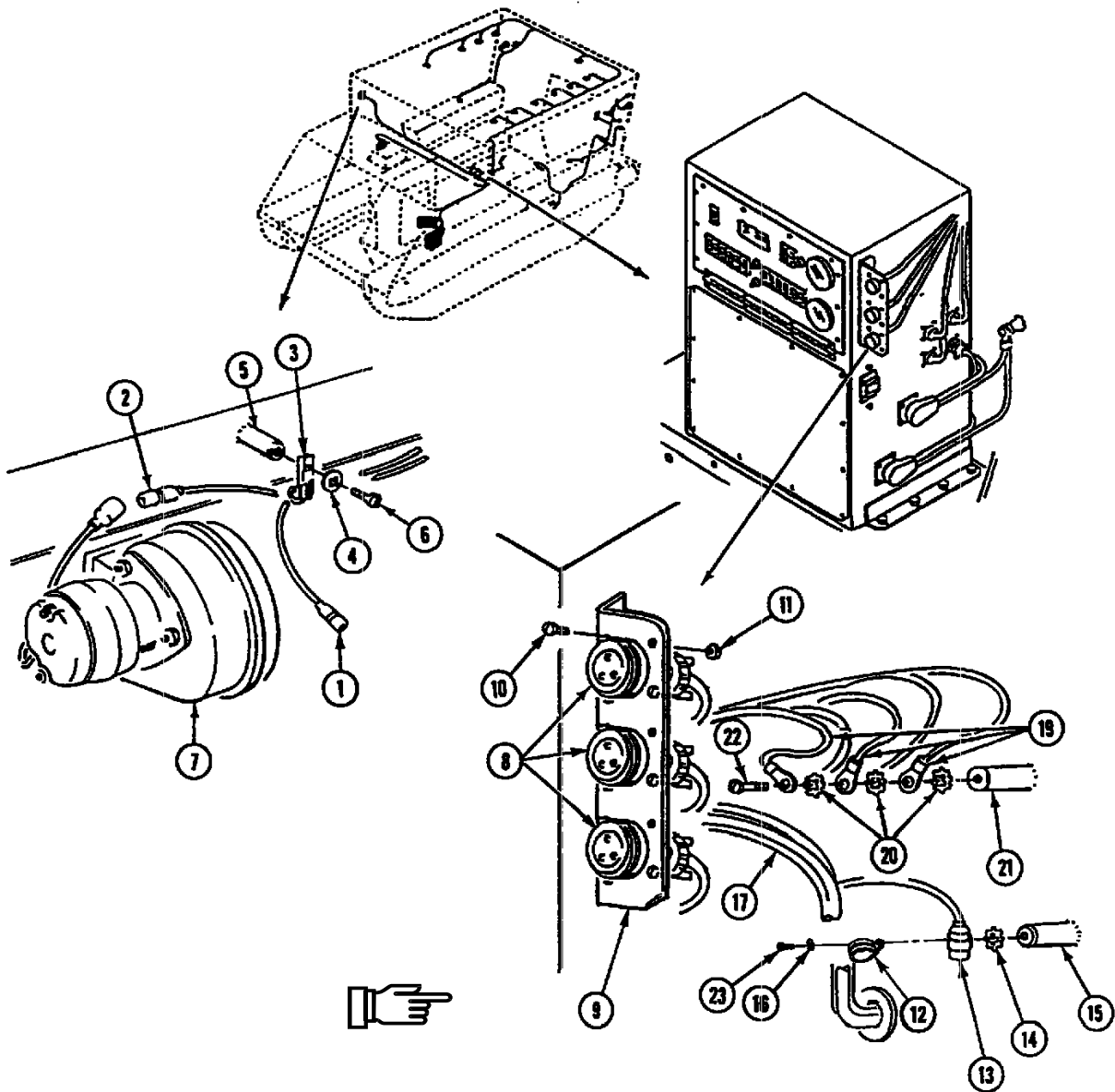
28. If NBC unit is installed, connect circuit 415 lead (1) to NBC unit.
29. Connect circuit 402 lead (2) to personnel heater wiring harness.
30. Connect circuit 400 lead (3) to personnel heater control box.
31. Install six clamps (4) on circuit 48 lead (5). Secure clamps to weldnuts (6) with screws (7).
32. Install two new lockwashers (8), circuit 48 capacitor (9), and ground lead (10) on weldnut (11). Secure with screw (12).
33. Install circuit 48 connector (13) on bracket (14). Secure with four screws (15) and nuts (16).



REPLACE REAR MAIN WIRING HARNESS (M1068A3 ONLY) — Continued

0365 00

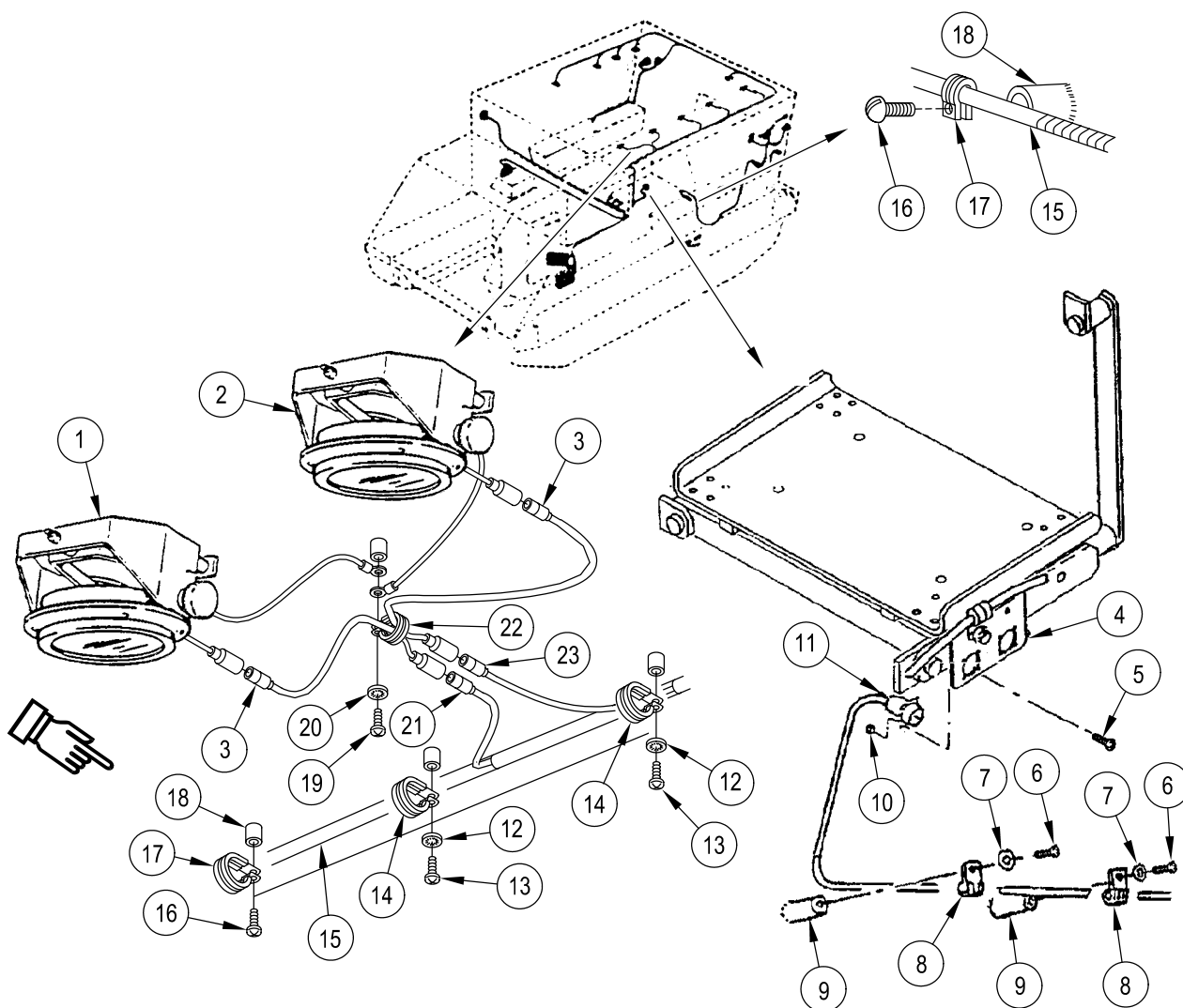
34. Install circuit 415 lead (1) and circuit 59 lead (2) in clamp (3). Secure clamp on weldnut (5) with new lockwasher (4) and screw (6).
35. If NBC unit is installed, connect circuit 415 lead (1) to NBC unit.
36. Connect circuit 59 lead (2) to blower (7).
37. Install three circuit 48 connectors (8) on bracket (9). Secure with 12 screws (10) and new locknuts (11).
38. Install clamp (12) on rear main wiring harness (17).
39. Install clamp (12) with rear main wiring harness (17), circuit 48C capacitor (13), and new lockwasher (14) on weldnut (15). Secure with new lockwasher (16) and screw (23).
40. Install three ground leads (19) and new lockwashers (20) on weldnut (21). Secure with screw (22).



REPLACE REAR MAIN WIRING HARNESS (M1068A3 ONLY) — Continued

0365 00

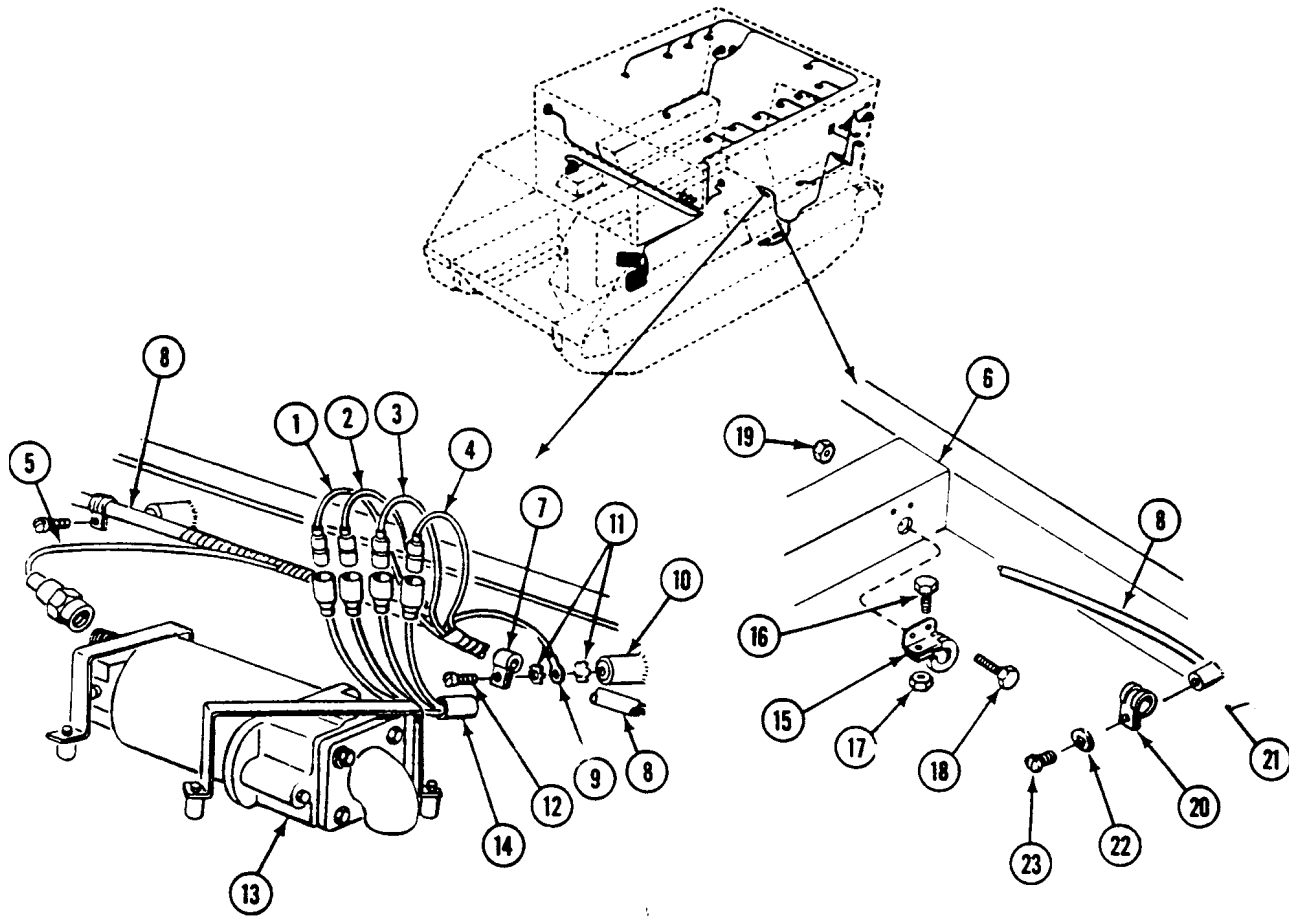
41. Install circuit 48A lead (11) in two clamps (8). Secure clamps on two weldnuts (9) with two screws (6) and new lockwashers (7).
42. Install circuit 48A connector (11) on bracket (4). Secure with four screws (5) and new locknuts (10).
43. Connect circuit 38B lead (23) to lead (3), and lead (3) to front blackout light (2).
44. Connect circuit 38C lead (21) to lead (3), and lead (3) to left dome light (1).
45. Install rear main wiring harness (15) on eight weldnuts (18). Secure with eight clamps (14), new lockwashers (12), and screws (13).
46. Install two clamps (17) on rear main wiring harness (15). Secure clamps on two weldnuts (18) with screws (16).
47. Install clamp (22), new lockwashers (20), and screw (19) on two leads (3).



REPLACE REAR MAIN WIRING HARNESS (M1068A3 ONLY) — Continued

0365 00

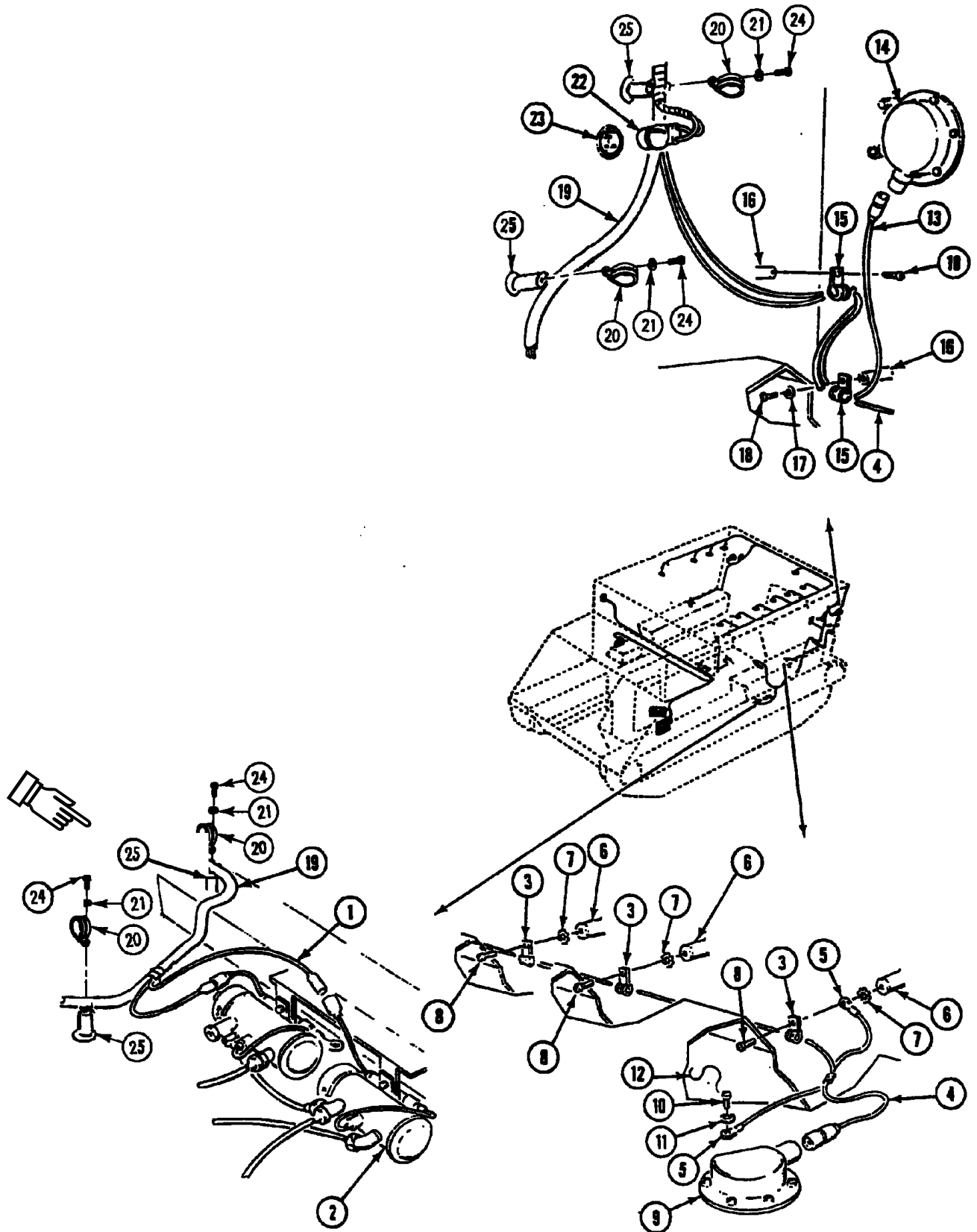
48. Pull circuit 21 lead (1), circuit 22 lead (2), circuit 23 lead (3), circuit 24 lead (4), and circuit 451 lead (5) through opening in floor transverse beam (6).
49. Install clamp (7) on rear main wiring harness (8). Secure clamp and trailer wiring harness ground lead (9) on weldnut (10) with two new lockwashers (11) and screw (12).
50. Connect circuit 451 lead (5) to rear bilge pump (13).
51. Connect circuit 21 lead (1), circuit 22 lead (2), circuit 23 lead (3), and circuit 24 lead (4) to trailer wiring harness (14).
52. Install clamp (15) on rear main wiring harness (8). Secure clamp with screw (16) and new locknut (17).
53. Install clamp (15) and rear main wiring harness (10) on transverse beam (6). Secure with two screws (18) and new locknuts (19).
54. Install clamp (20) on rear main wiring harness (8). Secure clamp on weldnut (21) with new lockwasher (22) and screw (23).



REPLACE REAR MAIN WIRING HARNESS (M1068A3 ONLY) — Continued

0365 00

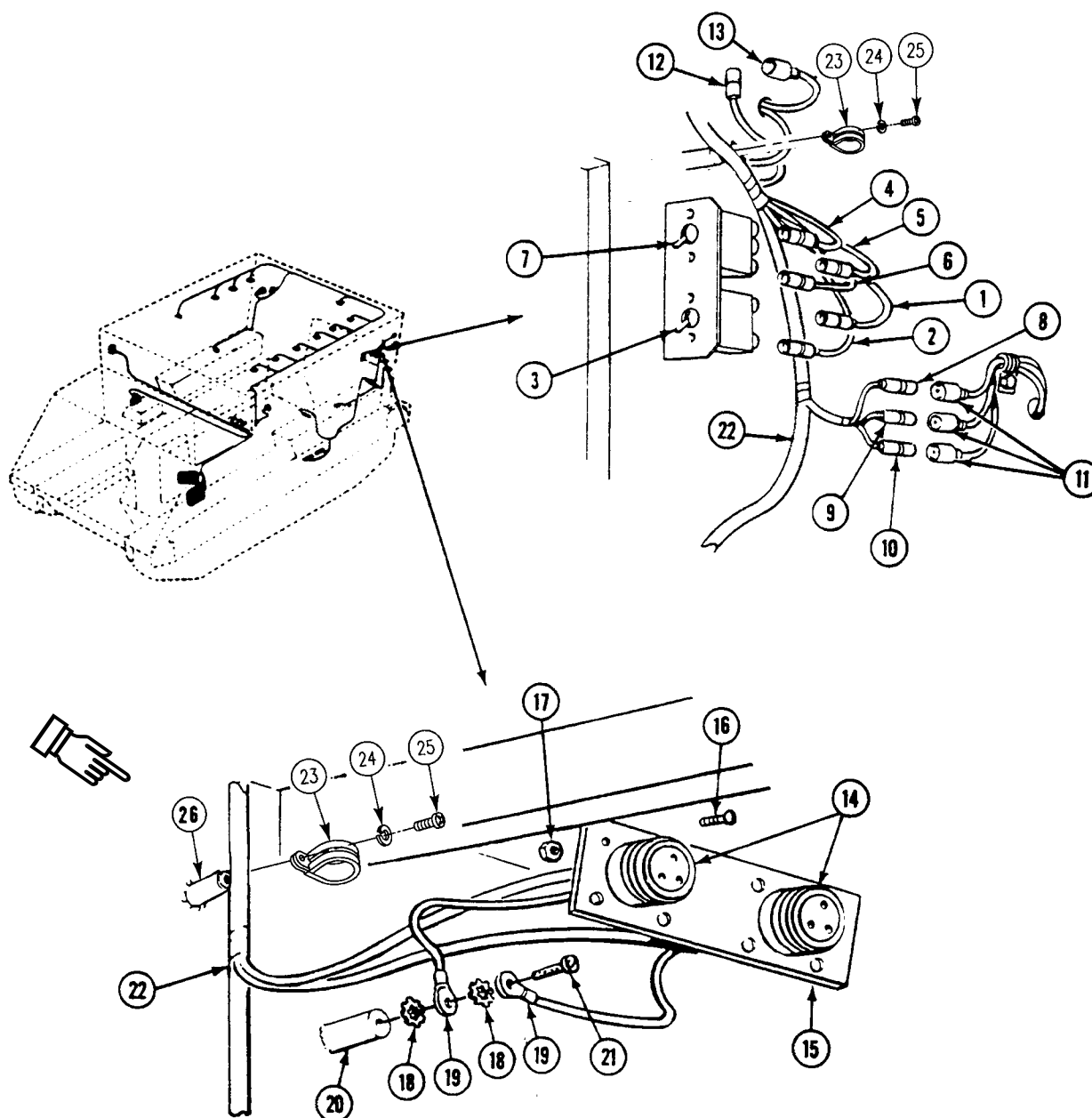
55. Connect circuit 402 lead (1) to personnel heater fuel pump (2).
56. Install three clamps (3) on circuit 30 lead (4). Secure clamps and ground lead (5) on weldnuts (6) with new lockwashers (7) and screws (8).
57. Install ground lead (5) on left fuel quantity sending unit (9). Secure with screw (10), new lockwasher (11), and new lockwire (12).
58. Connect circuit 30 lead (4) on left sending unit (9).
59. Connect circuit 509 lead (13) to buzzer (14).
60. Install two clamps (15) on circuit 30 lead (4) and circuit 509 lead (13). Secure clamps on two weldnuts (16) with one new lockwasher (17) and two screws (18).
61. Install rear main wiring harness (19) on seven weldnuts (25). Secure with seven clamps (20), new lockwashers (21), and screws (24).
62. Connect circuit 509 and 509A connector (22) to buzzer switch (23).



REPLACE REAR MAIN WIRING HARNESS (M1068A3 ONLY) — Continued

0365 00

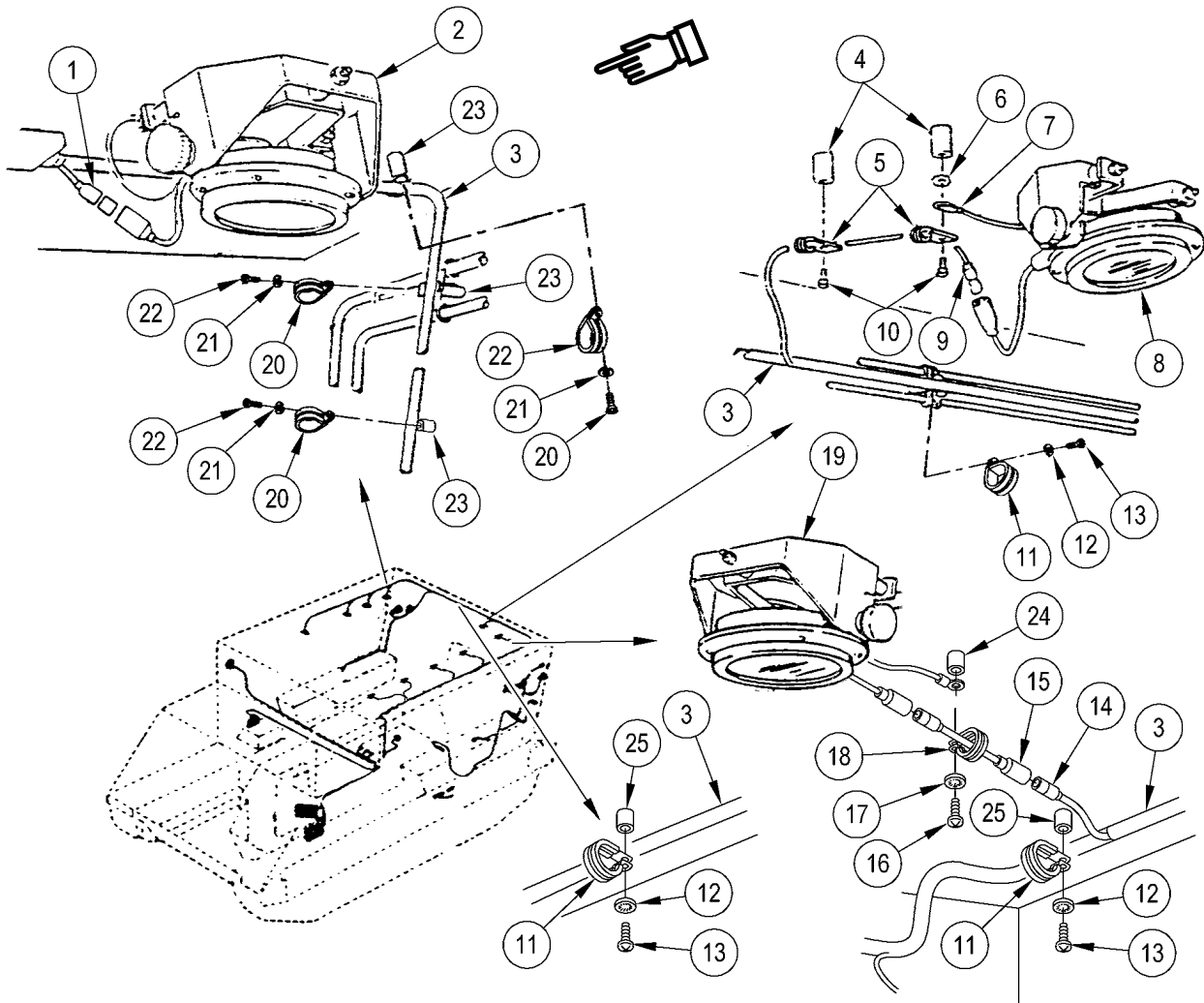
63. Connect circuit 38C lead (1) and circuit 38E lead (2) to blackout dome light switch (3).
64. Connect circuit 38 lead (4), circuit 38A lead (5), and circuit 38E lead (6) to dome light switch (7).
65. Connect circuit 21 lead (8), circuit 22 lead (9), and circuit 24 lead (10) to left taillight leads (11).
66. Connect circuit 37B lead (12) to left utility outlet lead (13).
67. Install two circuit 48 connectors (14) on bracket (15). Secure with eight screws (16) and new locknuts (17).
68. Install two ground leads (19) on weldnut (20). Secure with two new lockwashers (18) and screw (21).
69. Install rear main wiring harness (22) on seven weldnuts (26). Secure with seven clamps (23), new lockwashers (24), and screws (25).



REPLACE REAR MAIN WIRING HARNESS (M1068A3 ONLY) — Continued

0365 00

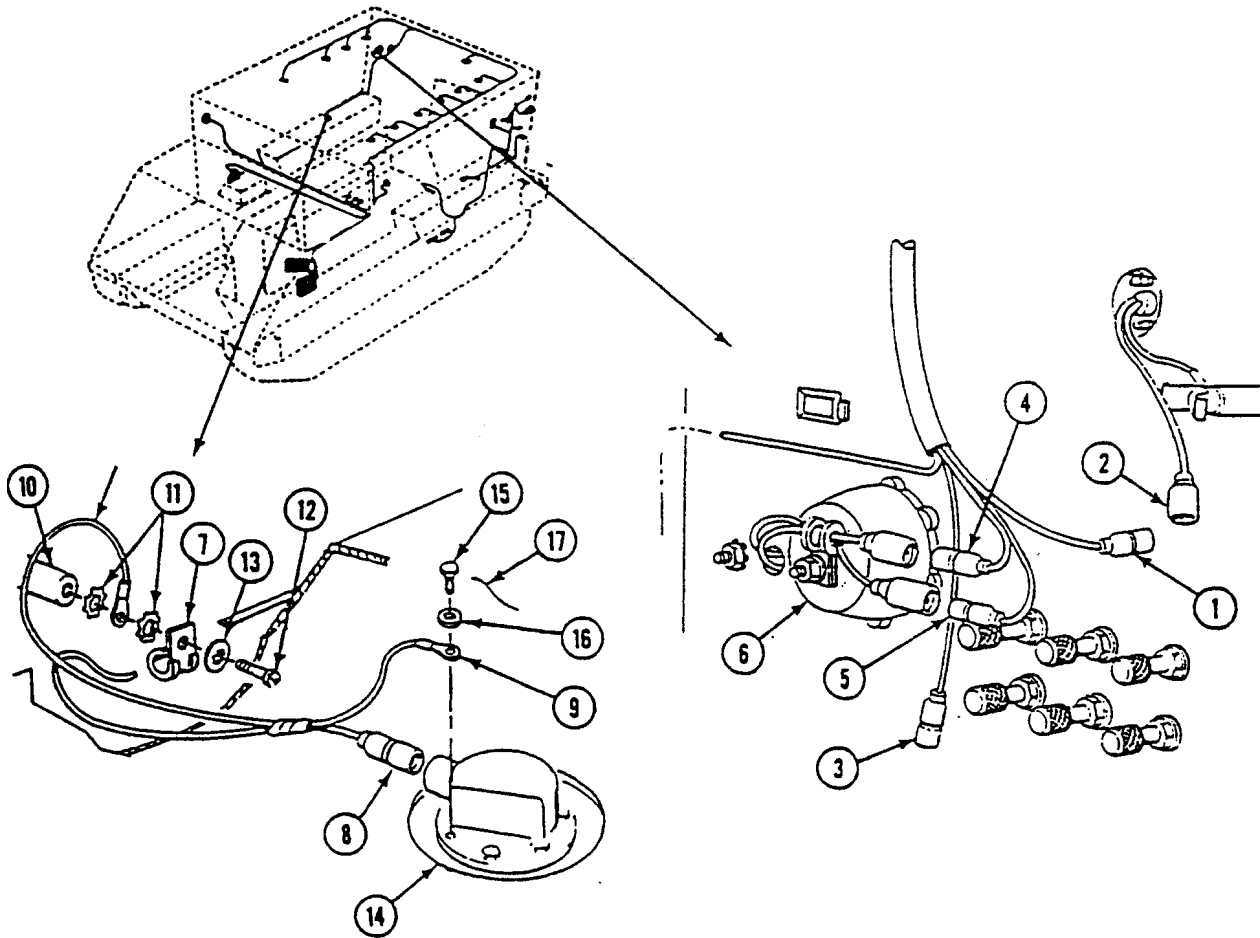
70. Connect three circuit 38C leads (14) to lead (15), and lead (15) to three left side dome lights (19).
71. Install two clamps (5) on circuit 38B lead (9). Secure clamps and ground lead (7) on two weldnuts (4) with one new lockwasher (6) and two screws (10).
72. Install three screws (16), new lockwashers (17), clamps (18), and leads (15) on three weldnuts (24).
73. Connect circuit 38B lead (9) to rear blackout dome light (8).
74. Install rear main wiring harness (3) on six weldnuts (25). Secure with six clamps (11), new lockwashers (12), and screws (13).
75. Connect four circuit 38C leads (1) to four right side dome lights (2).
76. Install rear main wiring harness (3) on six weldnuts (23). Secure with six clamps (20), new lockwashers (21), and screws (22).



REPLACE REAR MAIN WIRING HARNESS (M1068A3 ONLY) — Continued

0365 00

77. Connect circuit 37A lead (1) to right utility outlet lead (2).
78. If NBC unit is installed, connect circuit 415 lead (3) to NBC unit switch.
79. Connect circuit 23 lead (4) and circuit 24 lead (5) to right taillight (6).
80. Install four clamps (7) on circuit 29 lead (8). Secure ground lead (9) and clamps on three weldnuts (10) with two new lockwashers (11), three screws (12), and flat washers (13).
81. Install ground lead (9) on right fuel quantity sending unit (14). Secure with screw (15), new lockwasher (16), and new lockwire (17).
82. Connect circuit 29 lead (8) on right fuel quantity sending unit (14).



FOLLOW-THROUGH STEPS

1. Install rear floor plate (WP 0544 00).
2. Connect battery ground lead (WP 0338 00).
3. Install battery access cover (see your -10).
4. Turn MASTER SWITCH to ON (see your -10). Check that electrical system works properly.
5. Start engine (see your -10).
6. Raise and lock ramp (see your -10).
7. Stop engine (see your -10).

END OF TASK

**REPLACE SMOKE GRENADE LAUNCHER WIRING HARNESS
(M113A3, M1059A3, AND M58 ONLY)**

0366 00

THIS WORK PACKAGE COVERS:

- Removal (page 0366 00-1).
- Inspect and Repair (page 0366 00-7).
- Installation (page 0366 00-8).

INITIAL SETUP:

Maintenance Level

Unit

References

TM 9-2350-277-10

Tools and Special Tools

General Mechanic's Tool Kit (WP 0926 00, Item 65)

Equipment Condition

- Engine stopped (TM 9-2350-277-10)
- Carrier blocked (TM 9-2350-277-10)
- Power plant access door open (TM 9-2350-277-10)
- Ramp lowered (TM 9-2350-277-10)
- Battery ground strap disconnected (WP 0337 00)
- Base and plate removed (WP 0455 00).

Materials/Parts

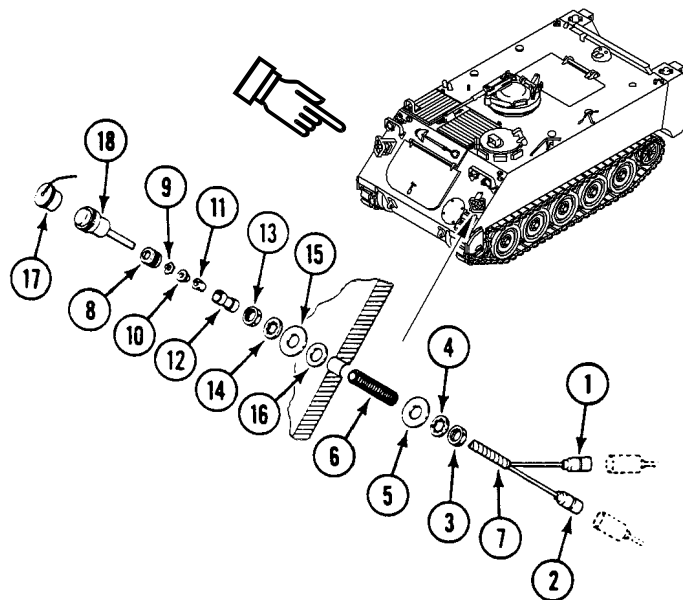
- Locknut (15)
- Lockwasher (19)

Personnel Required

- Mechanic
- Helper (H)

REMOVAL

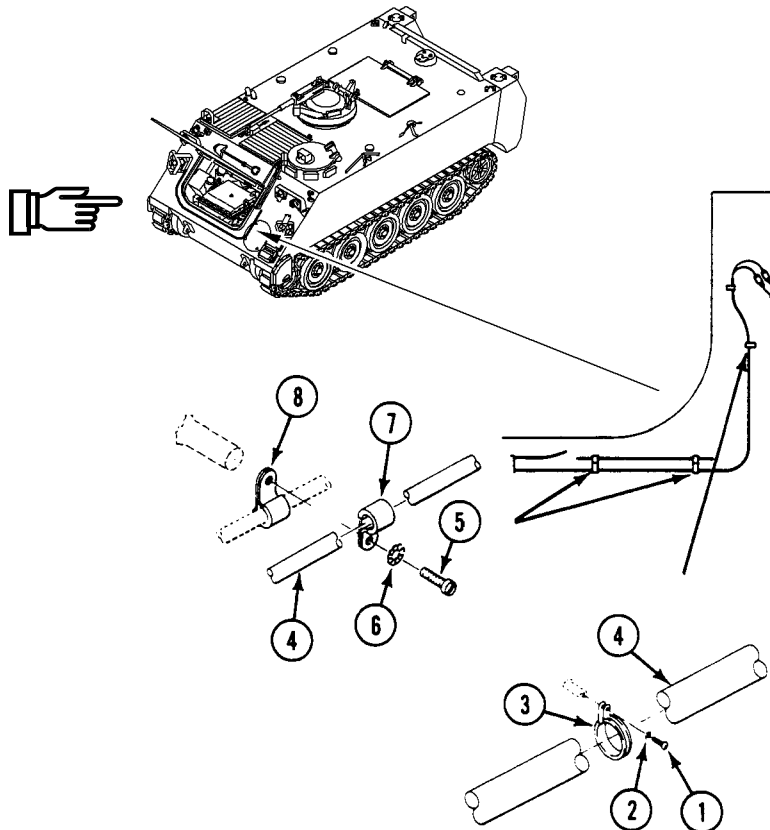
1. Disconnect circuit 7 (1) and circuit 799 lead (2) from inside carrier.
2. Disassemble lead (1) and lead (2) (WP 0382 00).
3. Remove nut (3), lockwasher (4), and washer (5) from bushing (6) and wiring harness (7). Discard lockwasher.
4. Remove packing retainer (8), spring washer (9), pressure washer (10), gasket (11), and plug (12) from bushing (6).
5. Remove nut (13), lockwasher (14), washer (15), and insulator washer (16) from bushing (6). Discard lockwasher.
6. Remove cover (17) from connector (18).
7. Repeat Steps 1 - 6 for opposite side of carrier.



REPLACE SMOKE GRENADE LAUNCHER WIRING HARNESS (M113A3, M1059A3, AND M58 ONLY) — Continued

0366 00

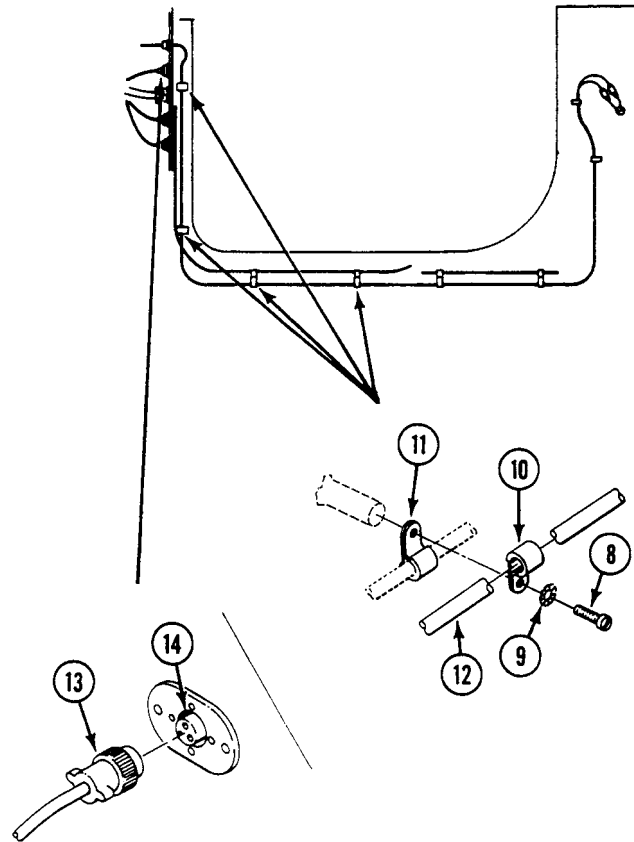
8. Remove screw (1), lockwasher (2), and clamp (3) from hull inside power plant compartment. Remove clamp from wiring harness (4). Discard lockwasher.
9. Remove two screws (5), lockwashers (6), clamps (7), and heater harness clamps (8) from hull. Remove clamps (7) from wiring harness (4). Discard lockwashers.



REPLACE SMOKE GRENADE LAUNCHER WIRING HARNESS (M113A3, M1059A3, AND M58 ONLY) — Continued

0366 00

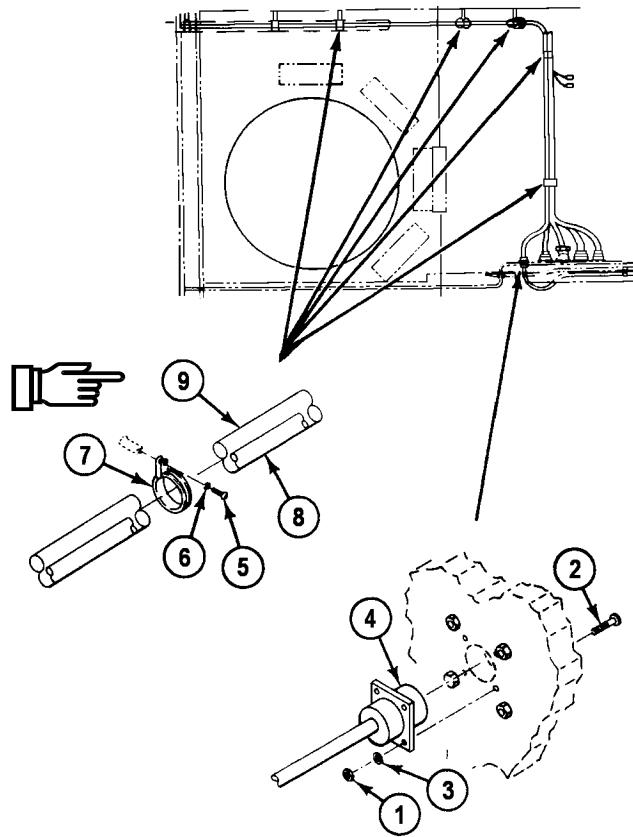
10. Remove four screws (8), lockwashers (9), clamps (10), and clamps (11) from hull and bulkhead. Remove clamps (10) from wiring harness (12). Discard lockwashers.
11. Remove harness connector (13) from connector (14) on bulkhead.



REPLACE SMOKE GRENADE LAUNCHER WIRING HARNESS (M113A3, M1059A3, AND M58 ONLY) — Continued

0366 00

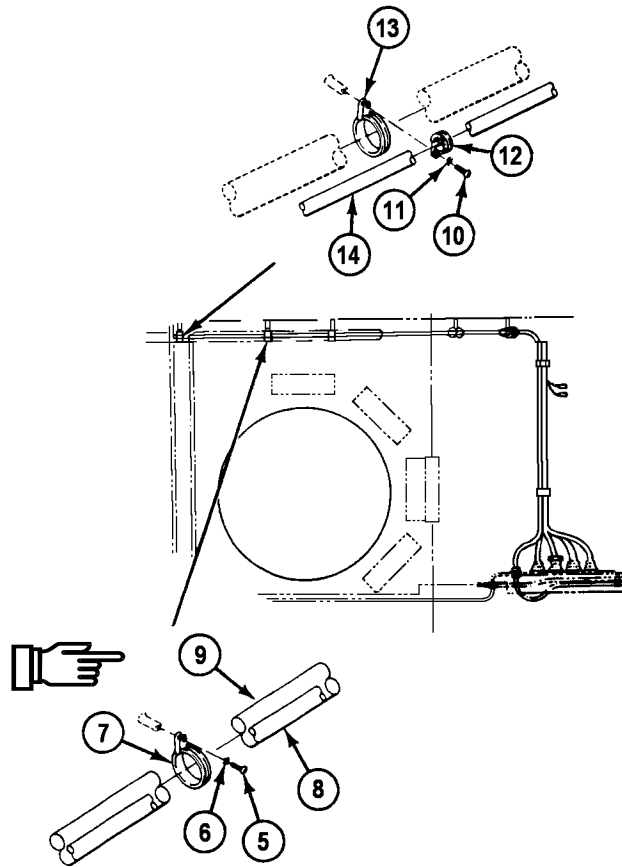
12. Remove four locknuts (1), screws (2), washers (3), and harness connector (4) from driver's compartment bulkhead. Have helper assist. Discard locknuts.
13. Remove five screws (5), lockwashers (6), and clamps (7) from front hull inside driver's compartment. Remove clamps from wiring harness (8) and main wiring harness (9). Discard lockwashers.



REPLACE SMOKE GRENADE LAUNCHER WIRING HARNESS (M113A3, M1059A3, AND M58 ONLY) — Continued

0366 00

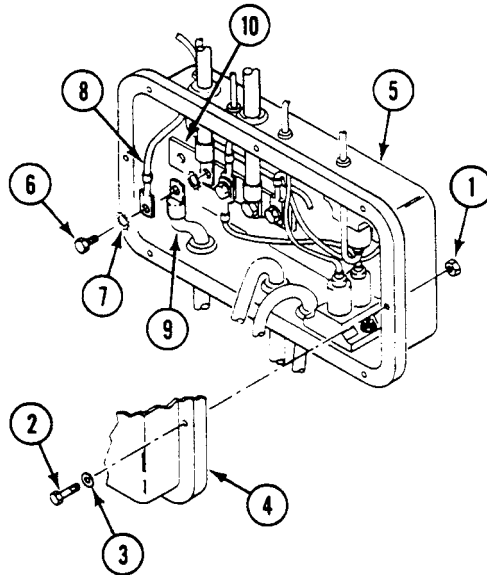
14. Remove screw (10), lockwasher (11), clamp (12), and main wiring harness clamp (13) from hull. Remove clamps (12) from wiring harness (14). Discard lockwasher.
15. Remove screws (5), lockwasher (6), and clamp (7) from front hull inside driver's compartment. Remove clamp from wiring harness (8) and main wiring harness (9). Discard lockwasher.



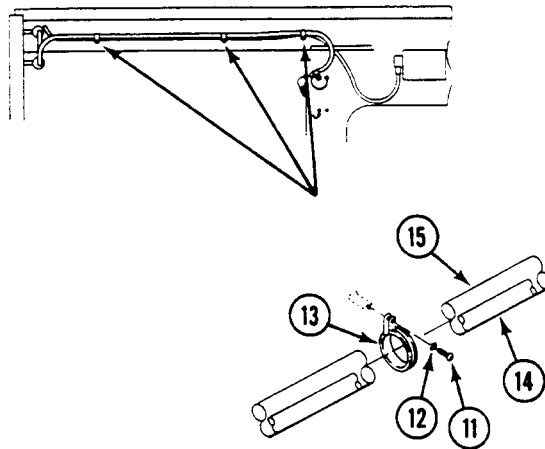
REPLACE SMOKE GRENADE LAUNCHER WIRING HARNESS (M113A3, M1059A3, AND M58 ONLY) — Continued

0366 00

16. Remove eight locknuts (1), screws (2), washers (3), and master switch panel (4) from distribution box (5). Discard locknuts.
17. Remove screw (6), lockwasher (7), circuit 6L lead (8), and circuit 6 lead (9) from bus bar (10). Discard lockwasher.



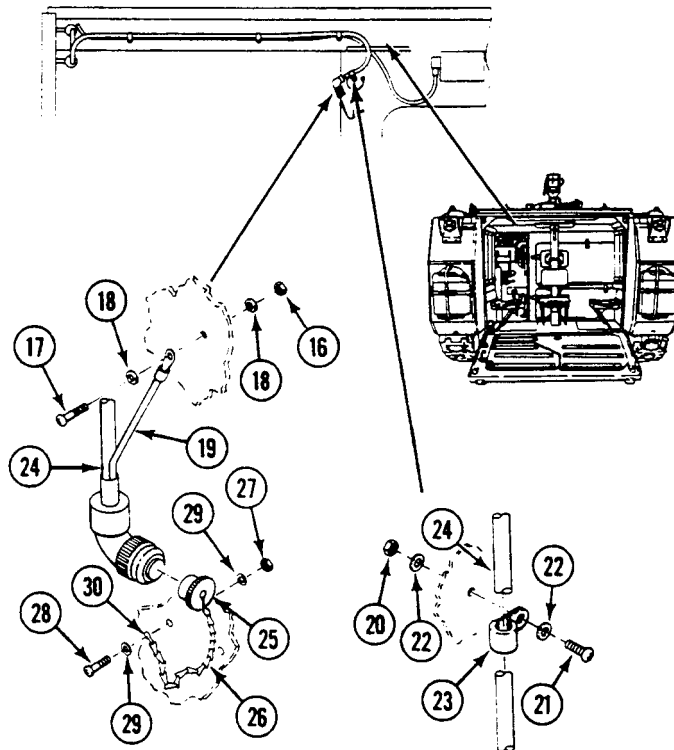
18. Remove three screws (11), lockwashers (12), and clamps (13) from bulkhead behind driver's compartment. Remove clamps from wiring harness (14) and intercom cable assembly (15). Discard lockwashers.



**REPLACE SMOKE GRENADE LAUNCHER WIRING HARNESS (M113A3,
M1059A3, AND M58 ONLY) — Continued**

0366 00

19. Remove locknut (16), screw (17), two washers (18), and circuit 7 lead (19) from bulkhead. Discard locknut.
20. Remove locknut (20), screw (21), two washers (22), and clamp (23) from bulkhead. Remove clamp from wiring harness (24). Discard locknut.
21. Remove cover (25) with chain (26) from wiring harness (24).
22. Remove locknut (27), screw (28), two washers (29), and hook (30) from bulkhead. Discard locknut.
23. Remove all sections of wiring harness (24) from carrier.


INSPECT AND REPAIR

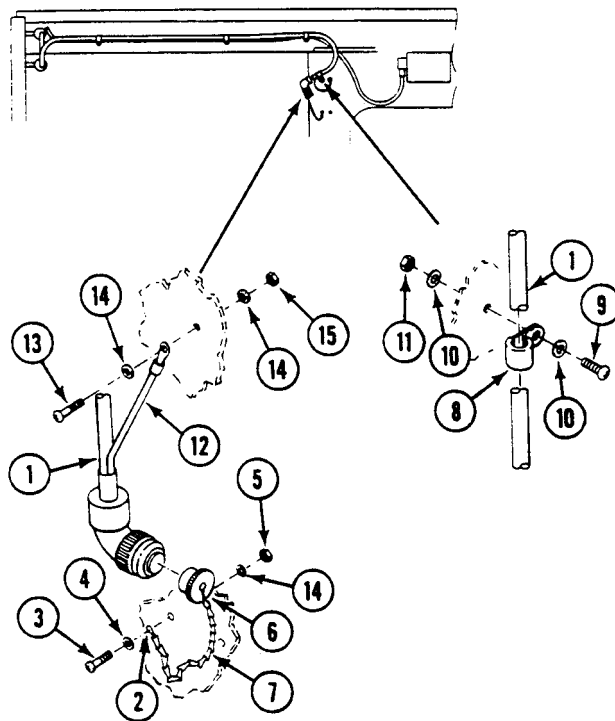
1. Inspect for damaged connectors or terminals. Repair as needed (WP 0382 00).

REPLACE SMOKE GRENADE LAUNCHER WIRING HARNESS (M113A3, M1059A3, AND M58 ONLY) — Continued

0366 00

INSTALLATION

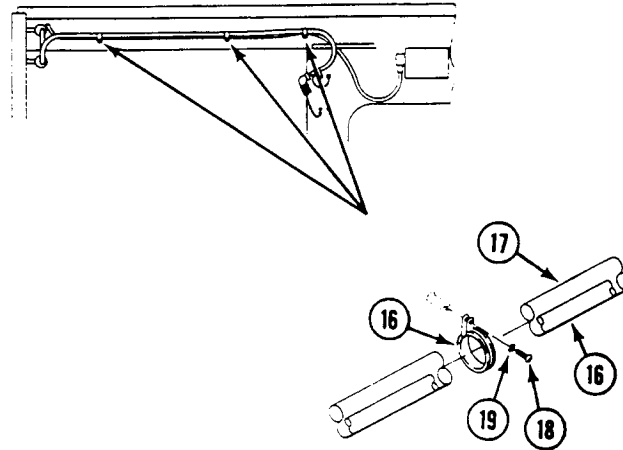
1. Install sections of wiring harness (1) in carrier.
2. Secure hook (2) to bulkhead with screw (3), two washers (4), and new locknut (5).
3. Install cover (6) with chain (7) on wiring harness (1).
4. Install clamp (8) on wiring harness (1). Secure clamp to bulkhead with screw (9), two washers (10), and new locknut (11).
5. Secure circuit 7 lead (12) to bulkhead with screw (13), two washers (14), and new locknut (15).



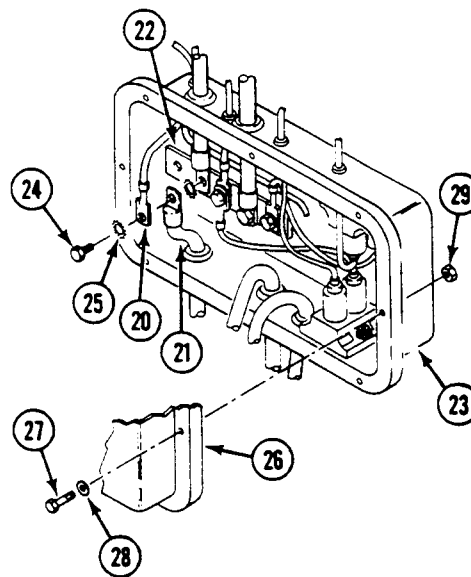
REPLACE SMOKE GRENADE LAUNCHER WIRING HARNESS (M113A3, M1059A3, AND M58 ONLY) — Continued

0366 00

6. Install three clamps on wiring harness (16) and intercom cable assembly (17). Secure clamps to bulkhead with three screws (18) and new lockwashers (19).



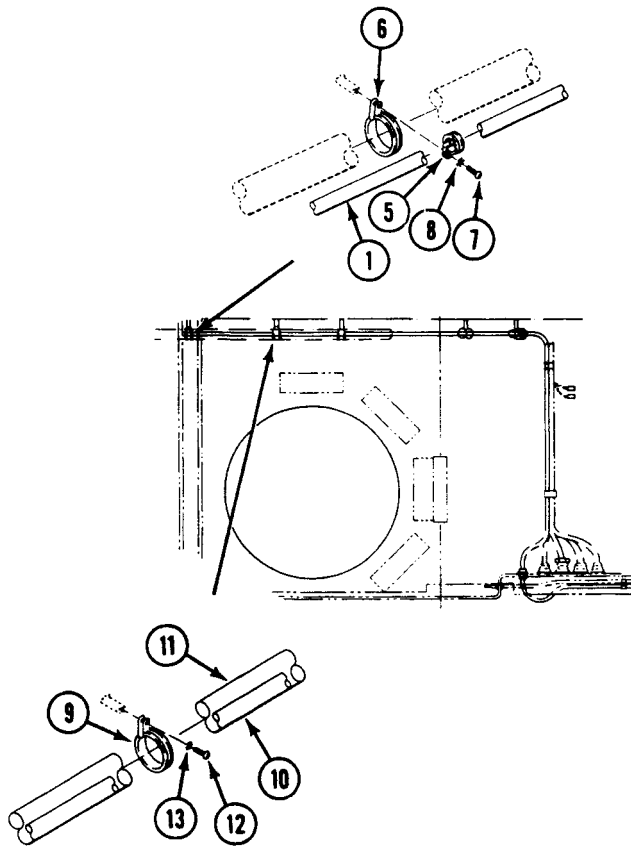
7. Install circuit 6L lead (20) and circuit 6 lead (21) on bus bar (22) of distribution box (23). Secure with screw (24) and new lockwasher (25).
8. Install master switch panel (26) on distribution box (23). Secure with eight screws (27), washers (28), and new locknuts (29).



REPLACE SMOKE GRENADE LAUNCHER WIRING HARNESS (M113A3, M1059A3, AND M58 ONLY) — Continued

0366 00

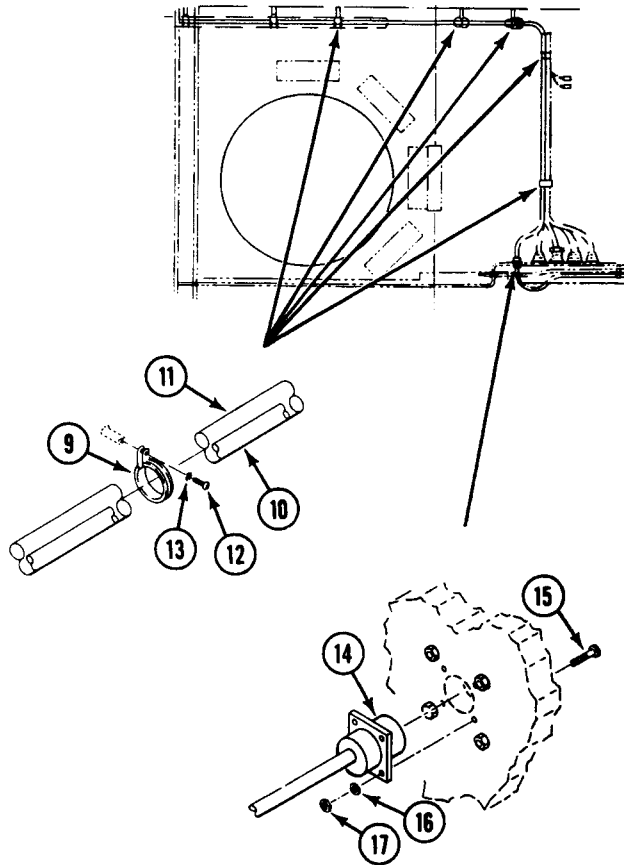
9. Install clamp (9) on wiring harness (10) and main wiring harness (11). Secure clamp to hull with screw (12) and new lockwasher (13).
10. Install two clamps (5) on wiring harness (1). Secure clamps and main wiring harness clamp (6) to hull with two screws (7) and new lockwashers (8).



REPLACE SMOKE GRENADE LAUNCHER WIRING HARNESS (M113A3, M1059A3, AND M58 ONLY) — Continued

0366 00

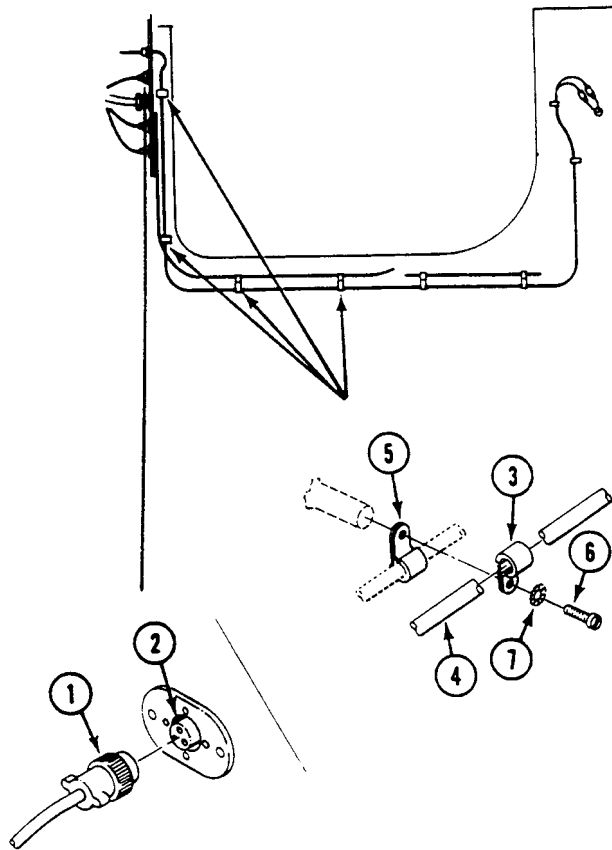
11. Install five clamps (9) on wiring harness (10) and main wiring harness (11). Secure clamps to hull with five screws (12) and new lockwashers (13).
12. Secure harness connector (14) to bulkhead with four screws (15), washers (16), and new locknuts (17).



REPLACE SMOKE GRENADE LAUNCHER WIRING HARNESS (M113A3, M1059A3, AND M58 ONLY) — Continued

0366 00

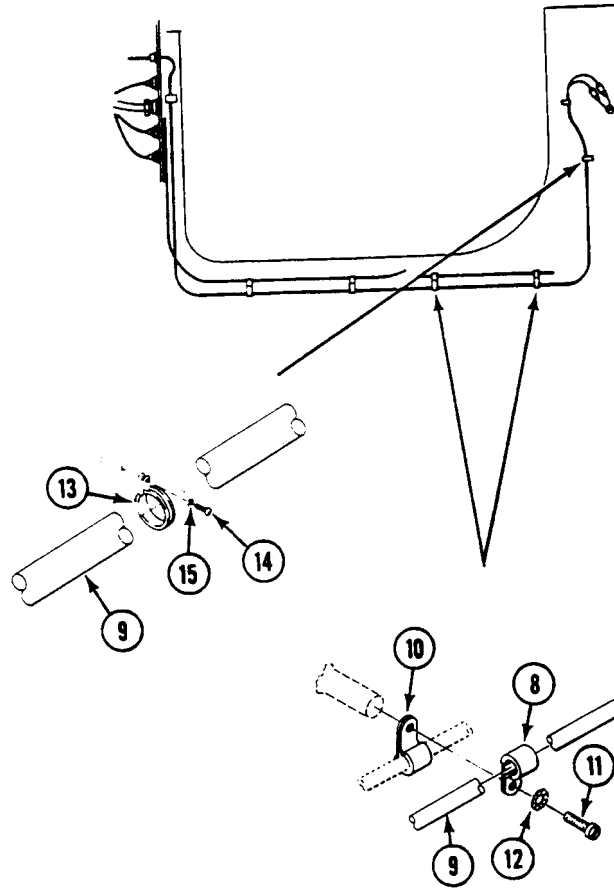
13. Secure harness connector (1) to connector (2) on bulkhead.
14. Install four clamps (3) on wiring harness (4). Secure clamps and clamps (5) to hull and bulkhead with four screws (6) and new lockwashers (7).



REPLACE SMOKE GRENADE LAUNCHER WIRING HARNESS (M113A3, M1059A3, AND M58 ONLY) — Continued

0366 00

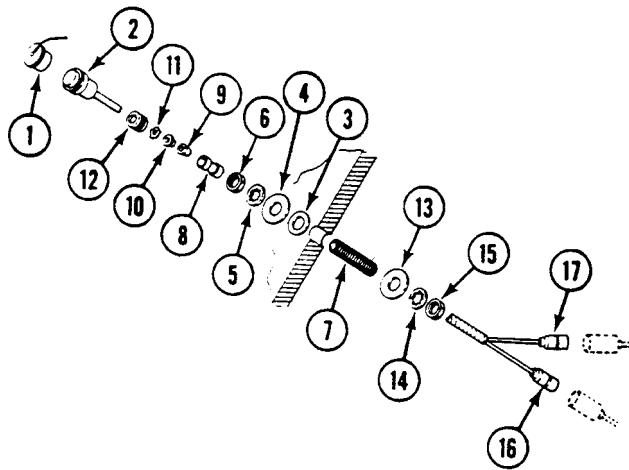
15. Install two clamps (8) on wiring harness (9). Secure clamps and heater harness clamps (10) to hull with two screws (11) and new lockwashers (12).
16. Install clamp (13) on wiring harness (9). Secure clamp to hull with screw (14) and new lockwasher (15).



REPLACE SMOKE GRENADE LAUNCHER WIRING HARNESS (M113A3, M1059A3, AND M58 ONLY) — Continued

0366 00

17. Install cover (1) on connector (2).
18. Install insulator washer (3), washer (4), new lock washer (5), and nut (6) on bushing (7).
19. Install plug (8), gasket (9), pressure washer (10), spring washer (11), and packing retainer (12) on bushing (7).
20. Install washer (13), new lock washer (14), and nut (15) on bushing (7) inside carrier.
21. Assemble lead (16) and (17) (WP 0382 00).
22. Connect circuit 7 lead (16) and circuit 799 lead (17) inside carrier.



23. Repeat Steps 17 - 22 for opposite side of carrier.

FOLLOW-THROUGH STEPS

1. Install base and plate (WP 0455 00).
2. Close power plant access door. See TM 9-2350-277-10.
3. Connect battery ground strap (WP 0337 00).
4. Start engine. See TM 9-2350-277-10.
5. Raise and lock ramp. See TM 9-2350-277-10.
6. Stop engine. See TM 9-2350-277-10.

END OF TASK

REPLACE STEERING LOCK SWITCH WIRING HARNESS (ALL EXCEPT M58)

0367 00

THIS WORK PACKAGE COVERS:

- Removal (page 0367 00-2).
 - Inspect and Repair (page 0367 00-5).
 - Installation (page 0367 00-6).
-

INITIAL SETUP:

Maintenance Level

Unit

References

See your -10

Tools and Special Tools

- General Mechanic's Tool Kit (WP 0926 00, Item 65)
- Multimeter (WP 0926 00, Item 30)

Materials/Parts

- Grommet
- Locknut (3)
- Strap

Equipment Condition

- Engine stopped (see your -10)
- Carrier blocked (see your -10)

Personnel Required

Unit Mechanic

Battery ground strap disconnected (WP 0337 00),
(WP 0338 00) or (WP 0339 00)

**REPLACE STEERING LOCK SWITCH WIRING HARNESS (ALL EXCEPT M58) —
Continued**

0367 00

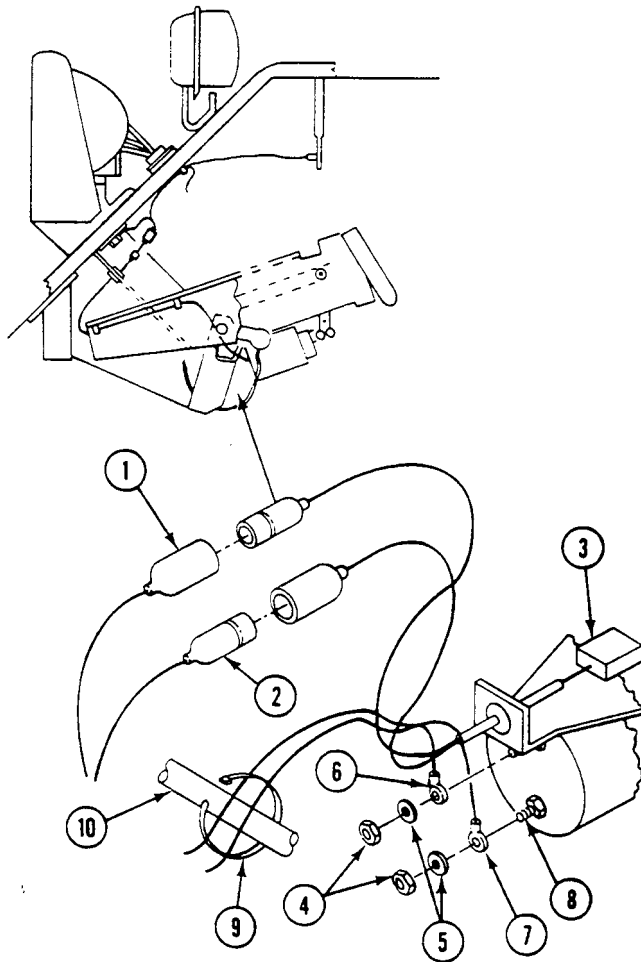
REMOVAL

1. Disconnect circuit leads 369 and 369A (used on solenoid-activated lock) or leads 369A and 368 (used on cable-activated lock) (1) and (2) from steering locked indicator switch (3).

NOTE

Do Step 2 for solenoid-activated lock only.

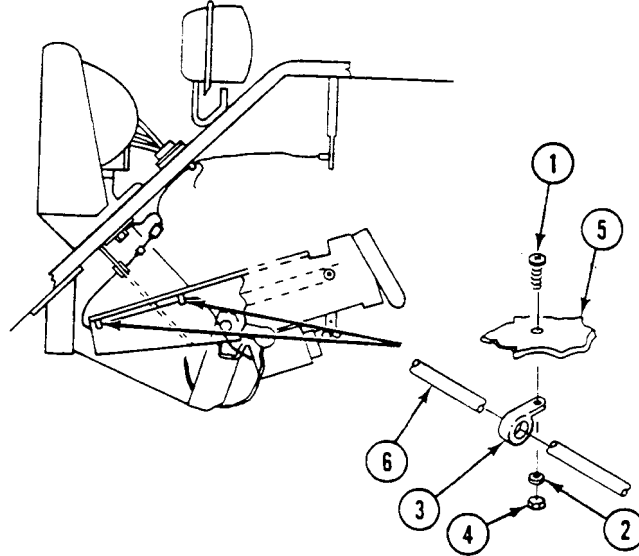
2. Remove two nuts (4), lockwashers (5), circuit 368A lead (6), and ground lead (7) from solenoid terminals (8). Do not discard lockwashers.
3. Remove strap (9) securing wiring harness (10) in the steering wheel housing.



REPLACE STEERING LOCK SWITCH WIRING HARNESS (ALL EXCEPT M58) —
Continued

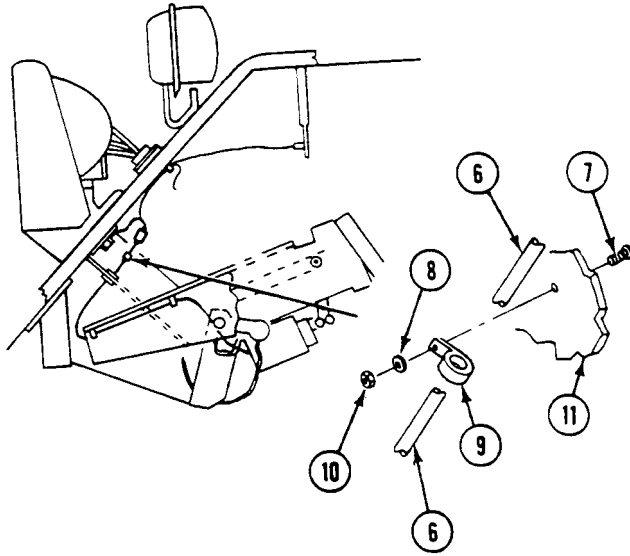
0367 00

4. Remove two screws (1), washers (2), clamps (3), and locknuts (4) from support (5). Remove wiring harness (6) from clamps. Discard locknuts.



**REPLACE STEERING LOCK SWITCH WIRING HARNESS (ALL EXCEPT M58) —
Continued****0367 00**

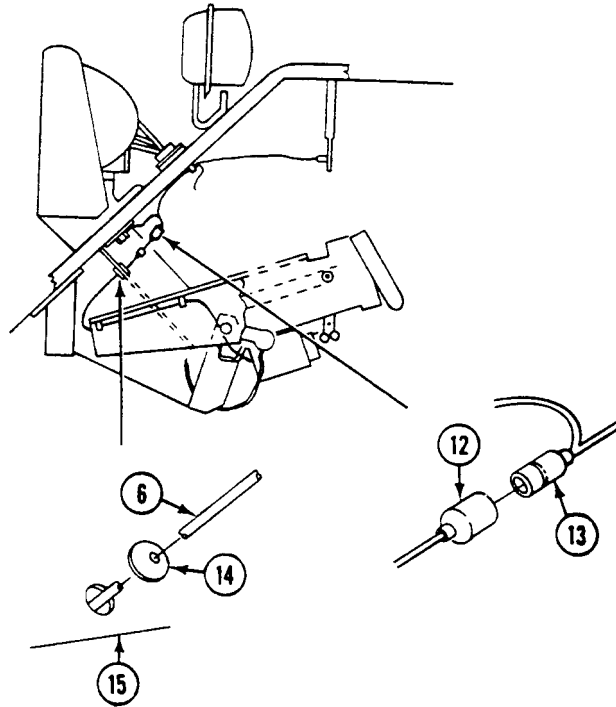
5. Remove screw (7), washer (8), clamp (9), and locknut (10) from bracket (11). Remove wiring harness (6) from clamps. Discard locknut.



**REPLACE STEERING LOCK SWITCH WIRING HARNESS (ALL EXCEPT M58) —
Continued**

0367 00

6. Disconnect wiring harness connector (12) from connector (13).
7. Remove grommet (14) and wiring harness assembly (6) from bracket (15).
8. Remove wiring harness assembly (6) from carrier.

**TEST AND INSPECTION****INSPECT AND REPAIR**

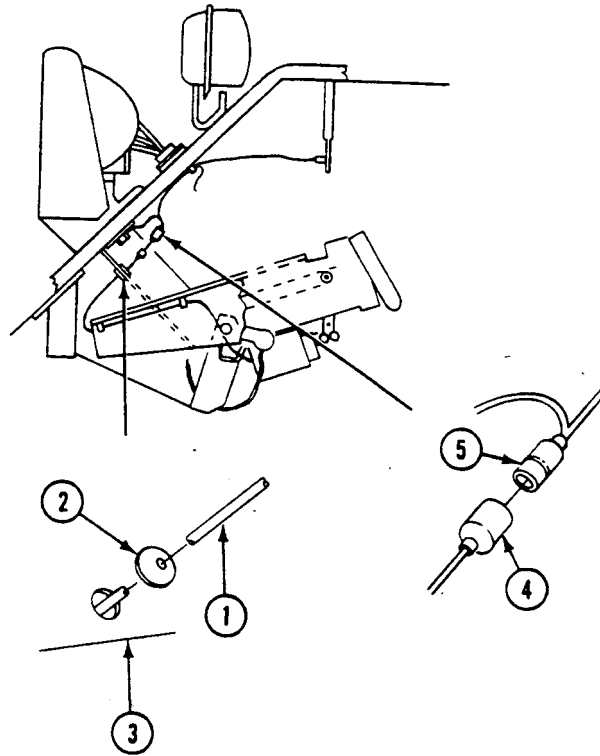
1. Check harness for continuity. Replace bad harness.
2. Check leads. Replace frayed, cracked, or broken leads (WP 0382 00).
3. Check connectors. Replace cracked or broken connectors (WP 0382 00).

**REPLACE STEERING LOCK SWITCH WIRING HARNESS (ALL EXCEPT M58) —
Continued**

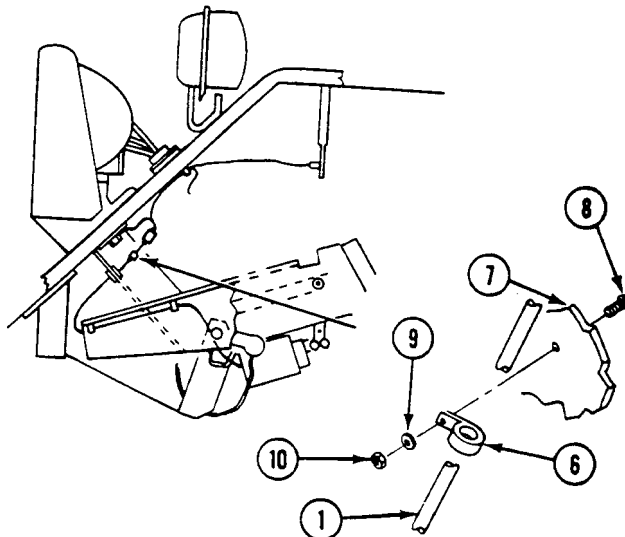
0367 00

INSTALLATION

1. Place wiring harness assembly (1) in carrier.
2. Install new grommet (2) and wiring harness assembly (1) on bracket (3).
3. Connect wiring harness connector (4) to connector (5).



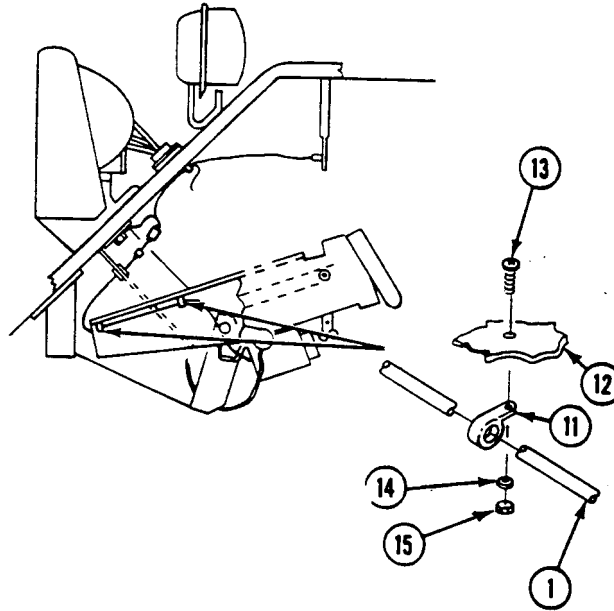
4. Install wiring harness (1) in clamp (6). Secure clamp to bracket (7) with screw (8), washer (9), and new locknut (10).



REPLACE STEERING LOCK SWITCH WIRING HARNESS (ALL EXCEPT M58) —
Continued

0367 00

5. Install wiring harness (1) in two clamps (11). Secure clamps to support (12) with two screws (13), washers (14), and new locknuts (15).



**REPLACE STEERING LOCK SWITCH WIRING HARNESS (ALL EXCEPT M58) —
Continued**

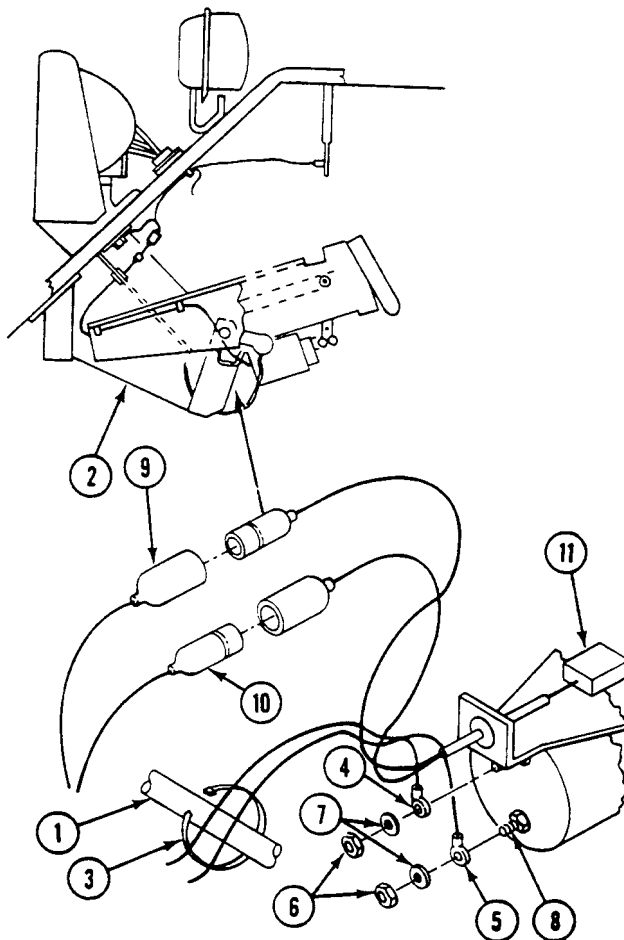
0367 00

6. Install wiring harness (1) on bracket (2). Secure with strap (3).

NOTE

Do Step 7 for solenoid-activated lock only.

7. Install circuit 368A lead (4), ground lead (5), two nuts (6) and lockwashers (7) on solenoid terminals (8).
8. Connect circuit leads 369 and 369A (used on solenoid-activated lock) or leads 369A and 368 (used on cable-activated lock) (9) and (10) to steering locked indicator switch (11).


FOLLOW-THROUGH STEPS

1. Connect battery ground strap (WP 0337 00), (WP 0338 00) or (WP 0339 00).
2. Turn MASTER SWITCH to ON (see your -10).
3. Place transmission controller in SL position. Check that steering wheel is locked and that STEERING LOCKED indicator is on (see your -10).
4. Turn MASTER SWITCH to OFF (see your -10).

END OF TASK

REPLACE STEERING LOCK SWITCH WIRING HARNESS (M58 ONLY)

0367 01

THIS WORK PACKAGE COVERS:

- Removal (page 0367 01-1).
- Inspect and Repair (page 0367 01-2).
- Installation (page 0367 01-2).

INITIAL SETUP:

Maintenance Level

Unit

References

See your -10

Tools and Special Tools

- General Mechanic's Tool Kit (WP 0926 00, Item 65)
- Multimeter (WP 0926 00, Item 30)

Equipment Condition

- Engine stopped (see your -10)
- Carrier blocked (see your -10)
- Battery ground strap disconnected (WP 0337 00), (WP 0338 00), or (WP 0339 00)

Materials/Parts

- Grommet
- Locknut (3)
- Strap

Personnel Required

Unit Mechanic

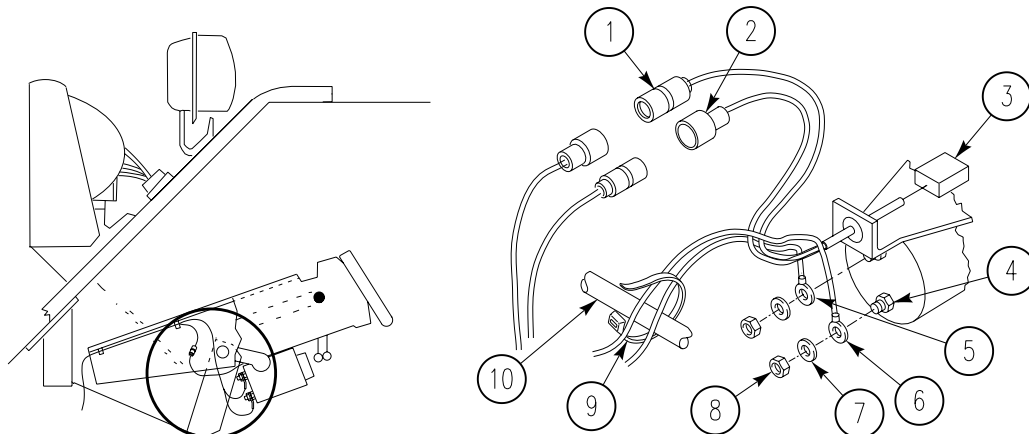
REMOVAL

1. Disconnect circuit leads 369 and 369A (used on solenoid-activated lock) or leads 369A and 368 (used on cable-activated lock) (1) and (2) from steering locked indicator switch (3).

NOTE

Do Step 2 for solenoid-activated lock only.

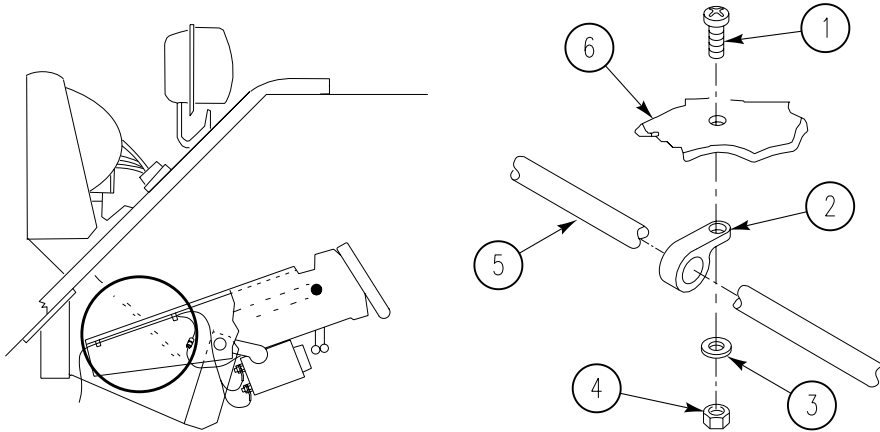
2. Remove two nuts (8), lockwashers (7), circuit 368A lead (5), and ground lead (6) from solenoid terminals (4). Do not discard lockwashers.
3. Remove strap (9) securing wiring harness (10) in the steering wheel housing.



REPLACE STEERING LOCK SWITCH WIRING HARNESS (M58 ONLY) — Continued

0367 01

4. Remove two screws (1), washers (3), clamps (2), and locknuts (4) from support (6). Remove wiring harness (5) from clamps. Discard locknuts.



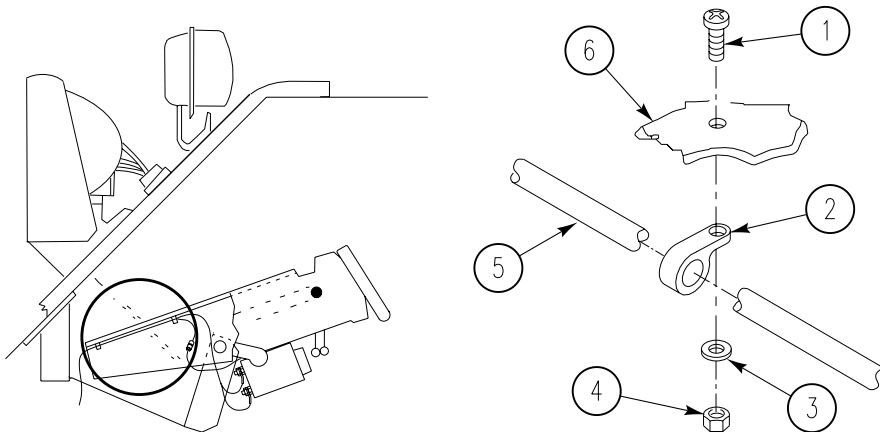
TEST AND INSPECTION

INSPECT AND REPAIR

1. Check harness for continuity. Replace bad harness.
2. Check leads. Replace frayed, cracked, or broken leads (WP 0382 00).
3. Check connectors. Replace cracked or broken connectors (WP 0382 00).

INSTALLATION

1. Install wiring harness (5) in two clamps (2). Secure clamps to support (6) with two screws (1), washers (3), and new locknuts (4).

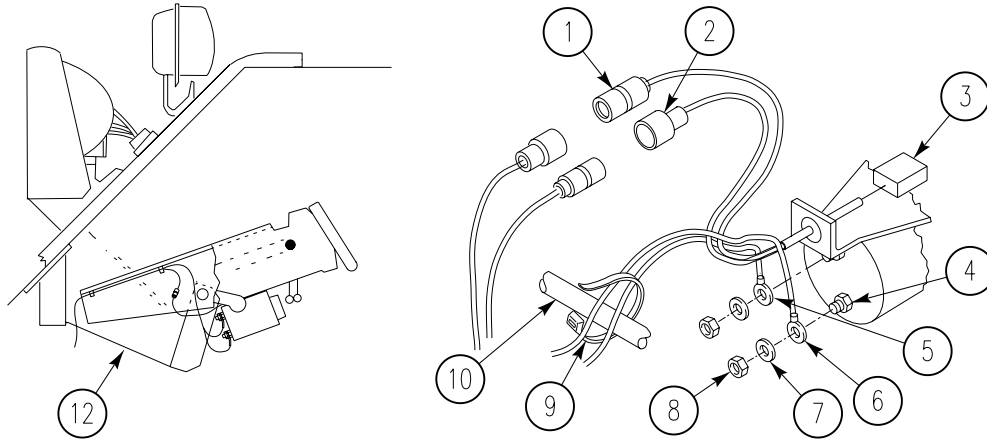


2. Install wiring harness (1) on bracket (12). Secure with strap (3).

NOTE

Do Step 3 for solenoid-activated lock only.

3. Install circuit 368A lead (5), ground lead (6), two nuts (8) and lockwashers (7) on solenoid terminals (4).
4. Connect circuit leads 369 and 369A (used on solenoid-activated lock) or leads 369A and 368 (used on cable-activated lock) (1) and (2) to steering locked indicator switch (3).



FOLLOW-THROUGH STEPS

1. Connect battery ground strap (WP 0337 00), (WP 0338 00), or (WP 0339 00).
2. Turn MASTER SWITCH to ON (see your -10).
3. Place transmission controller in SL position. Check that steering wheel is locked and that STEERING LOCKED indicator is on (see your -10).
4. Turn MASTER SWITCH to OFF (see your -10).

END OF TASK

**REPLACE DRIVER'S NIGHT VISION (DNV) (AN/VVS-2) POWER SUPPLY
CABLE ASSEMBLY (ALL EXCEPT M58)**

0368 00

THIS WORK PACKAGE COVERS:

Removal (page 0368 00-1).
Installation (page 0368 00-3).

INITIAL SETUP:

Maintenance Level

Unit

References

See your -10

Tools and Special Tools

General Mechanic's Tool Kit (WP 0926 00, Item 65)

Equipment Condition

Engine stopped (see your -10)
Carrier blocked (see your -10)
DNV POWER switch OFF
Battery ground strap disconnected (WP 0337 00),
(WP 0338 00), or (WP 0339 00)

Personnel Required

Unit Mechanic

REMOVAL

WARNING



High voltage in the AN/VVS-2 driver's night vision can cause serious injury or death. To avoid accidents:

ALWAYS connect power cable to periscope BEFORE turning MASTER SWITCH and DNV POWER switch ON.

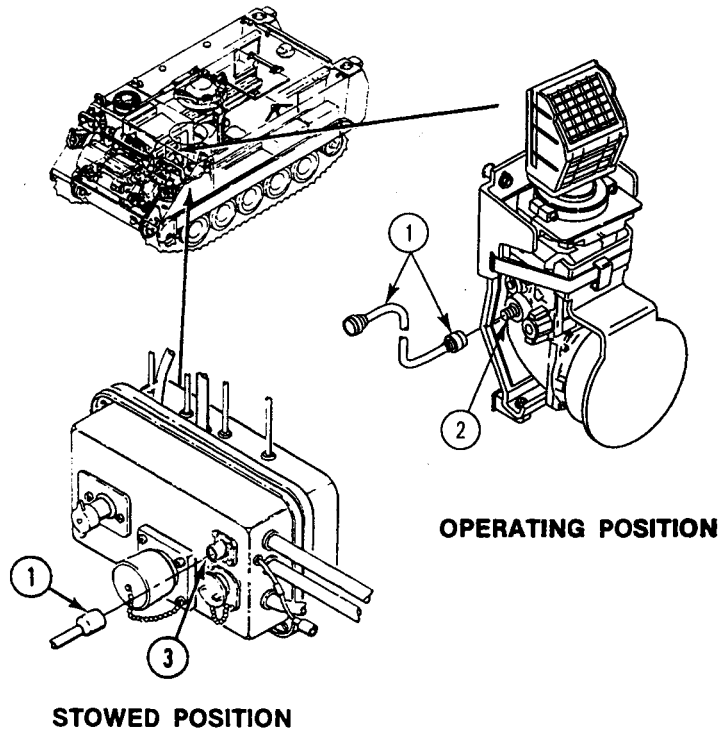
After turning DNV. POWER and MASTER switches OFF, ALWAYS wait at least 2 minutes BEFORE disconnecting power cable from DNV. Do not disconnect power cable until image disappears from DNV screen.

NEVER touch the end of the cable or allow it to contact metal surfaces. Voltage could exceed 16,000 volts.

**REPLACE DRIVER'S NIGHT VISION (DNV) (AN/VVS-2) POWER SUPPLY CABLE
ASSEMBLY (ALL EXCEPT M58) — Continued**

0368 00

1. If circuit 517 lead (1) is in stowed position, disconnect it from the master switch panel dummy connector (3).
2. If circuit 517 (1) is in operating position, disconnect it from the bottom of periscope (2).

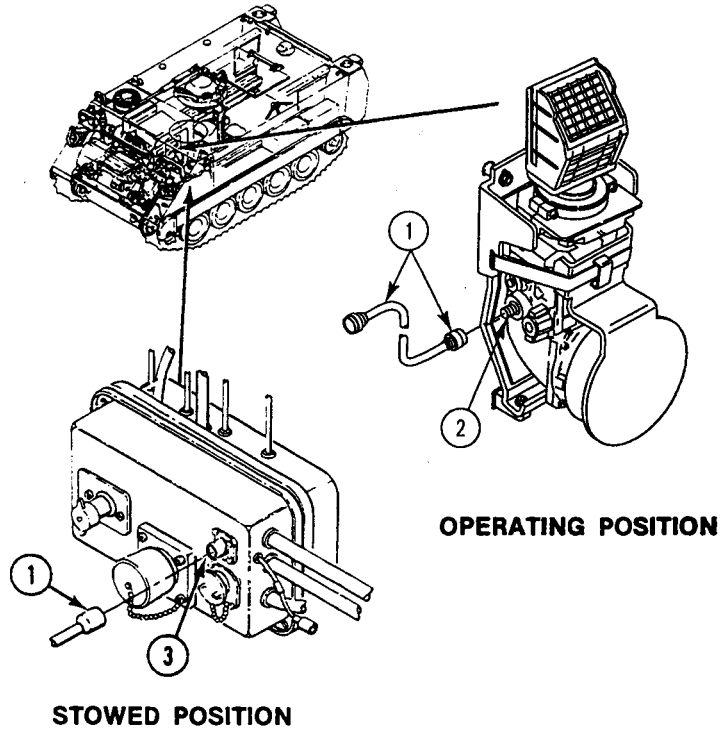


REPLACE DRIVER'S NIGHT VISION (DNV) (AN/VVS-2) POWER SUPPLY CABLE ASSEMBLY (ALL EXCEPT M58) — Continued

0368 00

INSTALLATION

1. For stowed position, connect circuit 517 lead (1) to the master switch panel dummy connector (3).
2. For operating position, connect circuit 517 lead (1) to the bottom of periscope (2).



FOLLOW-THROUGH STEPS

1. Connect battery ground strap (WP 0337 00), (WP 0338 00), or (WP 0339 00).

END OF TASK

REPLACE BATTERY-TO-RADIO WIRING HARNESS (LEFT SIDE) (M113A3 AND M1059A3 ONLY)

0369 00 ■

THIS WORK PACKAGE COVERS:

- Removal (page 0369 00-2).
 - Inspect and Repair (page 0369 00-4).
 - Installation (page 0369 00-5).
-

INITIAL SETUP:

Maintenance Level

Unit

References

See your -10

Tools and Special Tools

General Mechanic's Tool Kit (WP 0926 00, Item 65)

Equipment Condition

Materials/Parts

- Grommet
- Locknut (8)
- Lockwasher
- Lockwasher (7)

- Engine stopped (see your -10)
- Carrier blocked (see your -10)
- Ramp lowered (see your -10)
- Spall liners opened (see your -10)
- Battery ground strap disconnected (WP 0337 00)
- Rear battery box cover removed (see your -10)

Personnel Required

Unit Mechanic

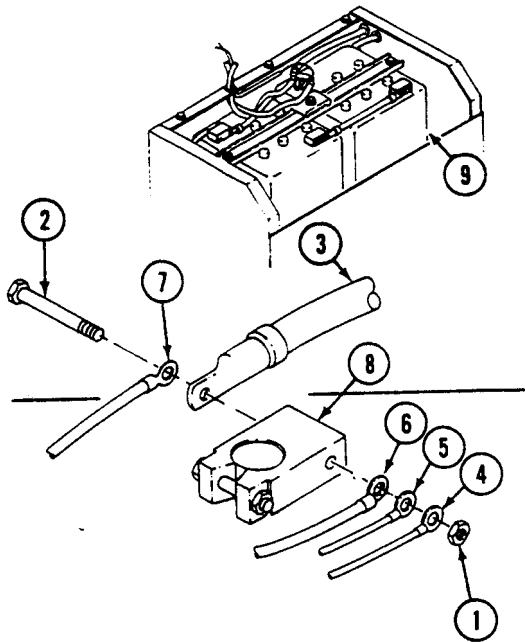
REPLACE BATTERY-TO-RADIO WIRING HARNESS (LEFT SIDE) (M113A3 AND M1059A3 ONLY) — Continued

0369 00

REMOVAL**NOTE**

On M113A3 only, there are two circuit 48 leads connected to positive terminal of third battery. Replace circuit 48 lead which runs along hull to capacitor located above battery boxes.

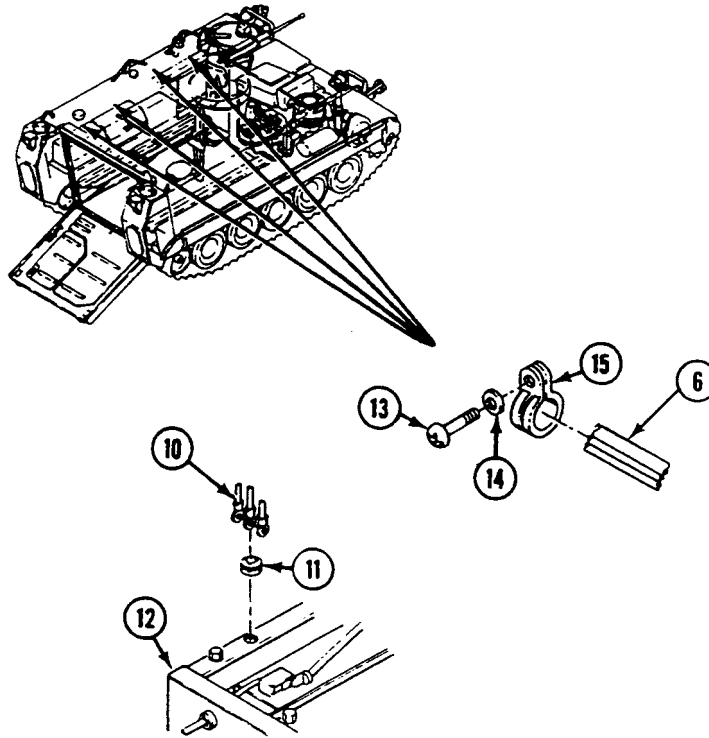
1. Remove nut (1), screw (2), positive jumper lead (3), circuit 772 lead (4), circuit 778 lead (5), circuit 48 lead (6), and M113A3 only circuit 48 lead (7) from positive terminal (8) of third battery (9).



REPLACE BATTERY-TO-RADIO WIRING HARNESS (LEFT SIDE) (M113A3 AND M1059A3 ONLY) — Continued

0369 00 ■

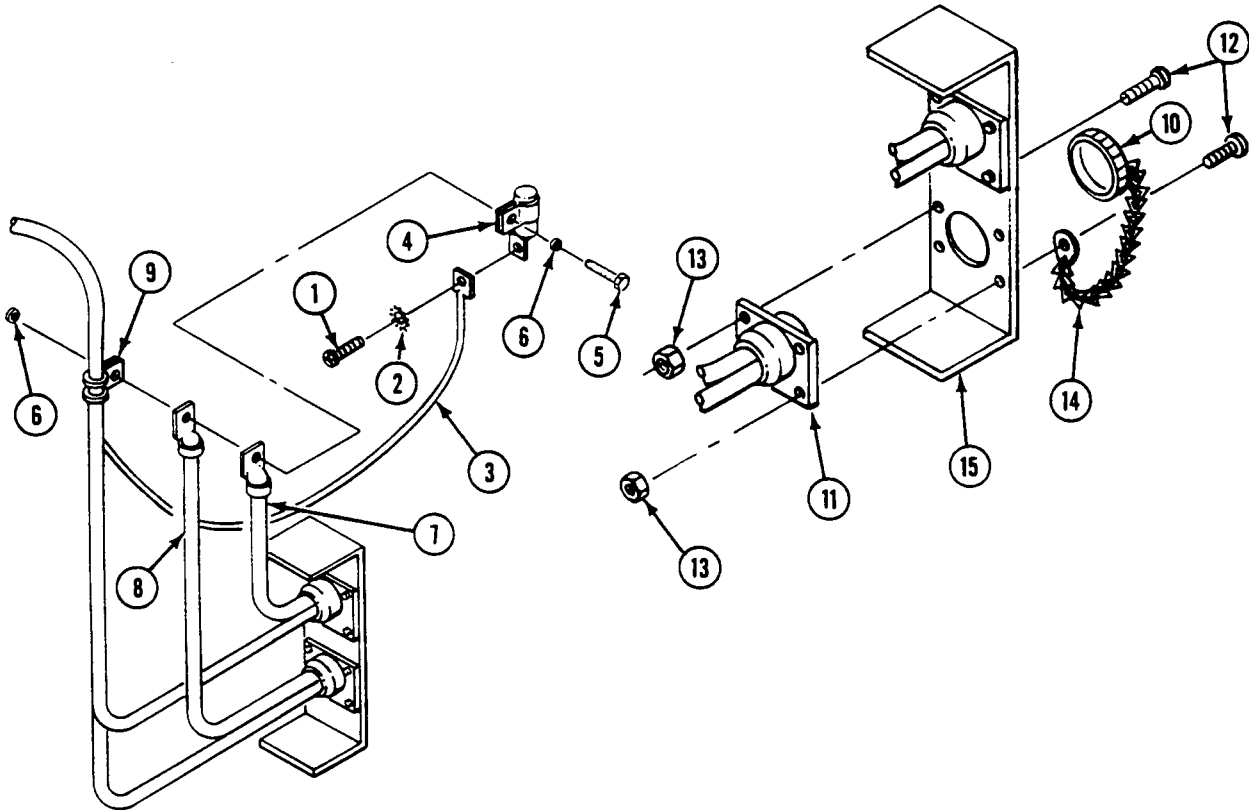
2. Remove three leads (10) and grommet (11) from battery box (12). Discard grommet.
3. Remove four screws (13), lockwashers (14) and clamps (15) that secure circuit 48 lead (6) to hull. Remove leads from clamps. Discard lockwashers.



■ REPLACE BATTERY-TO-RADIO WIRING HARNESS (LEFT SIDE) (M113A3 AND M1059A3 ONLY) — Continued

0369 00

4. Remove screw (1), lockwasher (2), and circuit 48 lead (3) from capacitor (4). Discard lockwasher.
5. Remove screw (5), two lockwashers (6), capacitor (4), two ground leads (7)(8) and clamp (9) from hull. Remove clamp from circuit 48 lead. Discard lockwashers.
6. Remove cap (10) from receptacle (11).
7. Remove eight screws (12), locknuts (13), two receptacles (11), and cap chain (14) from bracket (15). Discard locknuts.



INSPECT AND REPAIR

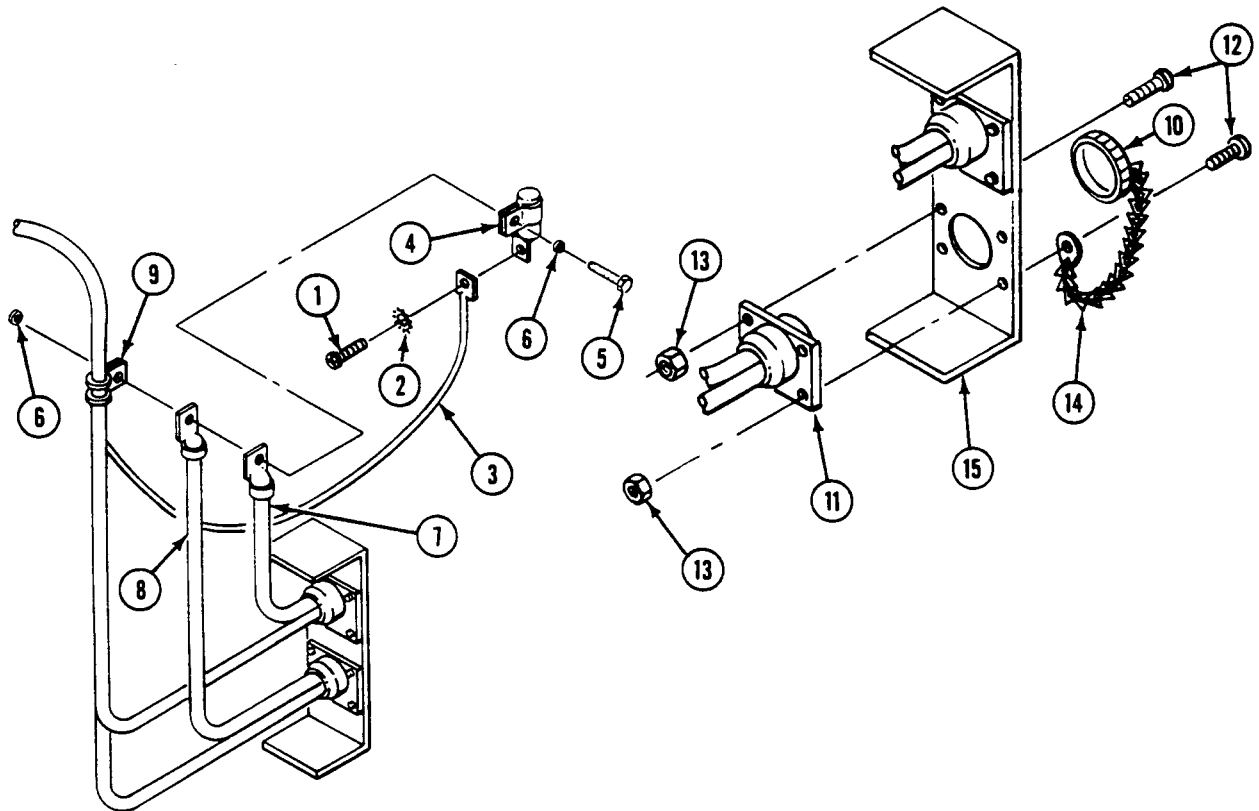
1. Check for damaged connectors and terminals. Repair as needed (WP 0382 00).

REPLACE BATTERY-TO-RADIO WIRING HARNESS (LEFT SIDE) (M113A3 AND M1059A3 ONLY) — Continued

0369 00 ■

INSTALLATION

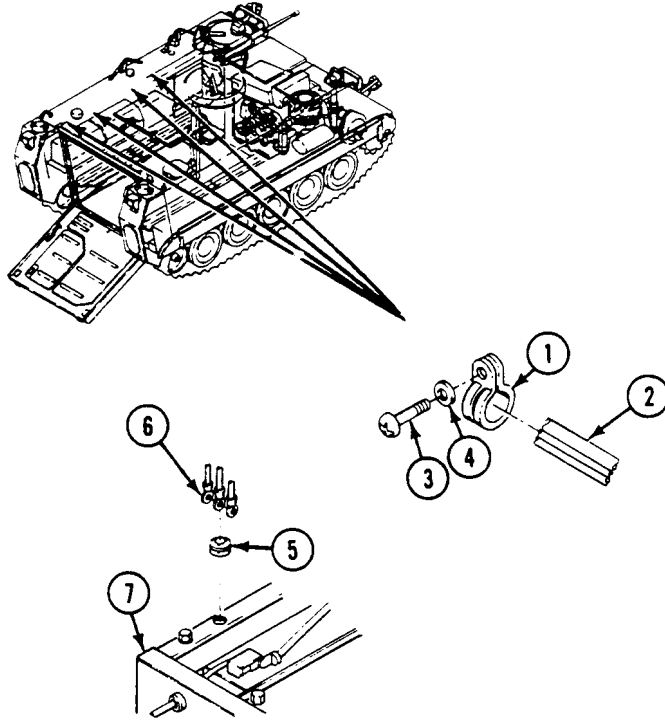
1. Install two receptacles (11) and cap chain (14) on bracket (15). Secure with eight screws (12) and new locknuts (13).
2. Install cap (10) on receptacle (11).
3. Install clamp (9) on circuit 48 lead (3). Then install clamp, two ground leads (7)(8), and capacitor (4) on hull. secure with screw (5) and two new lockwashers (6).
4. Install circuit 48 lead (3) on capacitor (4). Secure with screw (1) and new lockwasher (2).



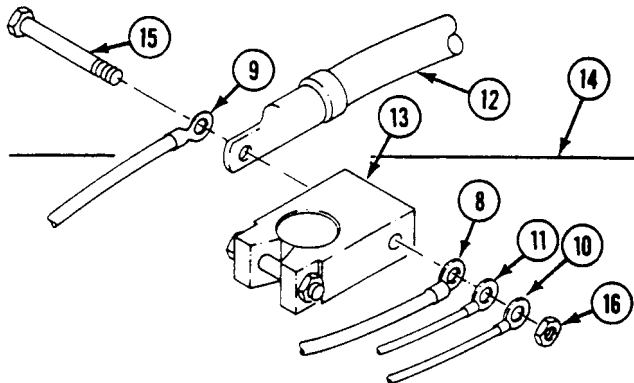
■ REPLACE BATTERY-TO-RADIO WIRING HARNESS (LEFT SIDE) (M113A3 AND M1059A3 ONLY) — Continued

0369 00

5. Install four clamps (1) on circuit 48 lead (2) and route along left side of hull. Secure with four screws (3) and new lockwashers (4).
6. Install new grommet (5) on three leads (6) and route into battery box (7). Secure grommet in box.



7. Install circuit 48 lead (8), M113A3 only circuit 48 lead (9), Circuit 772 lead (10), circuit 778 lead (11), and positive jumper lead (12) on positive terminal (13) of third battery (14). Secure with screw (15) and nut (16).



**REPLACE BATTERY-TO-RADIO WIRING HARNESS (LEFT SIDE) (M113A3 AND
M1059A3 ONLY) — Continued**

0369 00 ■

FOLLOW-THROUGH STEPS

1. Install rear battery box cover (see your -10).
2. Connect battery ground strap (WP 0337 00).
3. Start engine (see your -10).
4. Raise and lock ramp (see your -10).
5. Stop engine (see your -10).

END OF TASK

REPLACE BATTERY-TO-RADIO WIRING HARNESS (RIGHT SIDE) (M113A3 ONLY)

0370 00

THIS WORK PACKAGE COVERS:

- Removal (page 0370 00-2).
- Inspection and Repair (page 0370 00-5).
- Installation (page 0370 00-6).

INITIAL SETUP:

Maintenance Level

Unit

Personnel Required

Unit Mechanic

Tools and Special Tools

General Mechanic's Tool Kit (WP 0926 00, Item 65)

References

See your -10

Materials/Parts

- Cord (WP 0928 00, Item 31)
- Grommet
- Locknut (8)
- Lockwasher
- Lockwasher (10)
- Strap (3)

Equipment Condition

- Engine stopped (see your -10)
 - Carrier blocked (see your -10)
 - Spall liners opened (see your -10)
 - Battery ground strap disconnected (WP 0337 00)
 - Second battery box cover removed (see your -10)
-

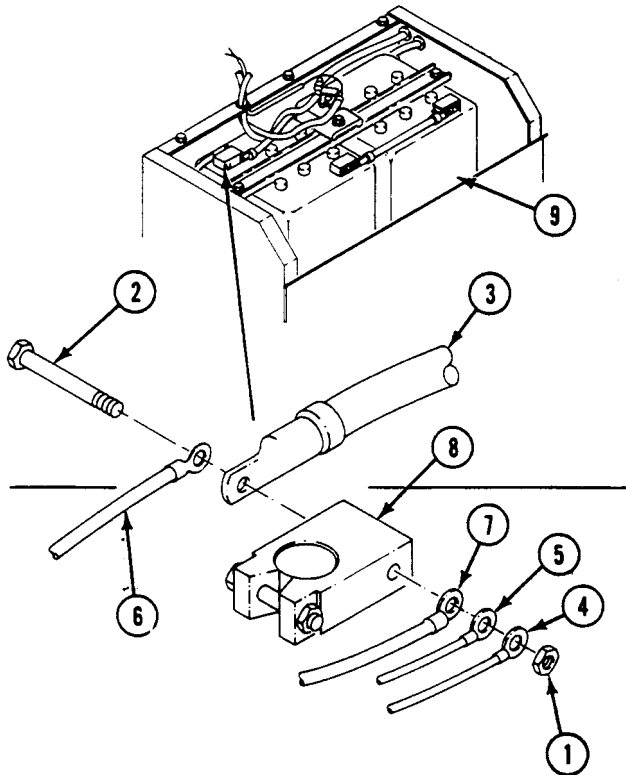
REPLACE BATTERY-TO-RADIO WIRING HARNESS (RIGHT SIDE) (M113A3 ONLY) —
Continued

0370 00

REMOVAL**NOTE**

There are two circuit 48 leads connected to positive terminal of third battery. Replace circuit 48 lead which runs along hull past battery boxes and capacitor, to opposite side of carrier.

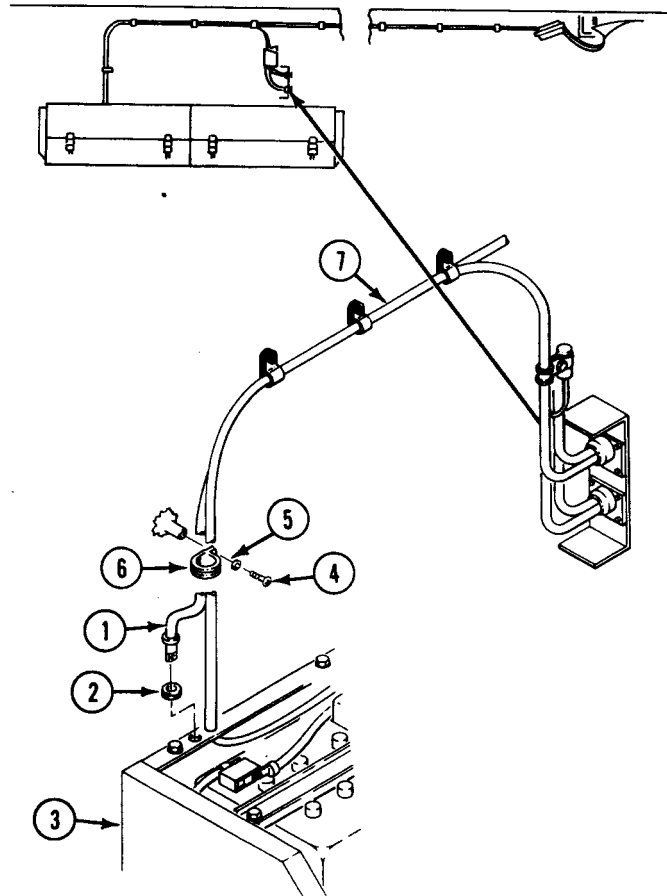
1. Remove nut (1) and screw (2) securing positive jumper lead (3), circuit 772 lead (4), circuit 778 lead (5), and two circuit 48 leads (6)(7) to positive terminal (8) of third battery (9).



REPLACE BATTERY-TO-RADIO WIRING HARNESS (RIGHT SIDE) (M113A3 ONLY) —
Continued

0370 00

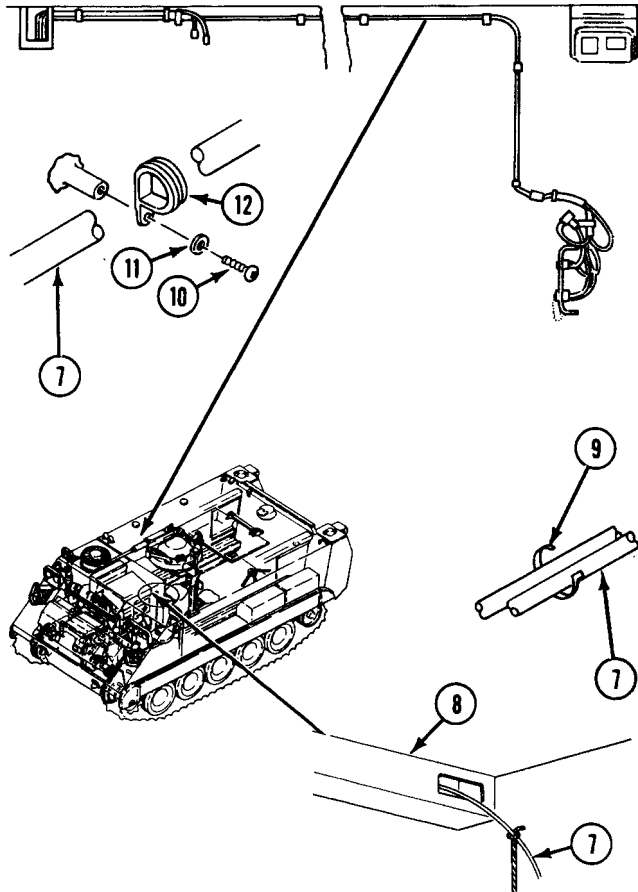
2. Remove circuit 48 lead (1) and grommet (2) from battery box (3). Discard grommet.
3. Remove ten screws (4), lockwashers (5), clamps (6), and harness (7) from hull weldnuts. Discard lockwashers.



**REPLACE BATTERY-TO-RADIO WIRING HARNESS (RIGHT SIDE) (M113A3 ONLY) —
Continued**

0370 00

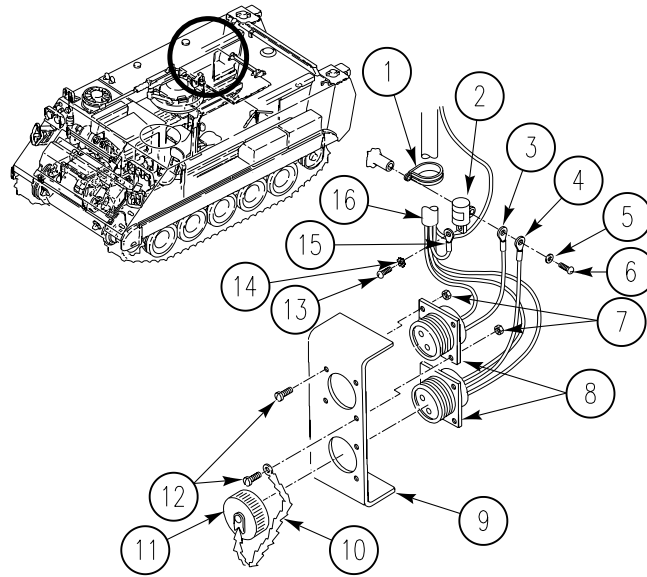
4. Tie cord to harness (7) with strong knot. Pull harness through hull beam (8) from opposite side of carrier. Untie cord from harness, leaving cord hanging from both ends of hull beam.
5. Remove three straps (9), eight screws (10), washers (11), clamps (12), and harness (7) from hull weldnuts. Discard straps.



**REPLACE BATTERY-TO-RADIO WIRING HARNESS (RIGHT SIDE) (M113A3 ONLY) —
Continued**

0370 00

6. Remove screw (6), washer (5), two ground leads (4)(3), capacitor (2), and clamp (1) from hull weldnut.
7. Remove screw (13), lockwasher (14), and circuit 48 lead (15) from capacitor (2). Discard lockwasher.
8. Remove cap (11) from receptacle (8).
9. Remove eight screws (12), locknuts (7), two receptacles (8), and cap chain (10) from bracket (9). Discard locknuts.



INSPECTION-ACCEPTANCE AND REJECTION CRITERIA

INSPECTION AND REPAIR

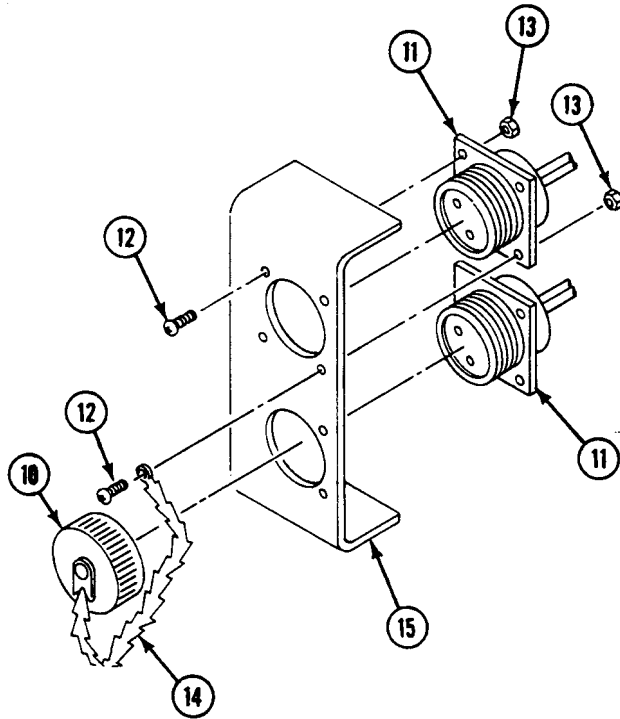
1. Check for damaged connectors and terminals. Repair as needed (WP 0382 00).

REPLACE BATTERY-TO-RADIO WIRING HARNESS (RIGHT SIDE) (M113A3 ONLY) —
Continued

0370 00

INSTALLATION

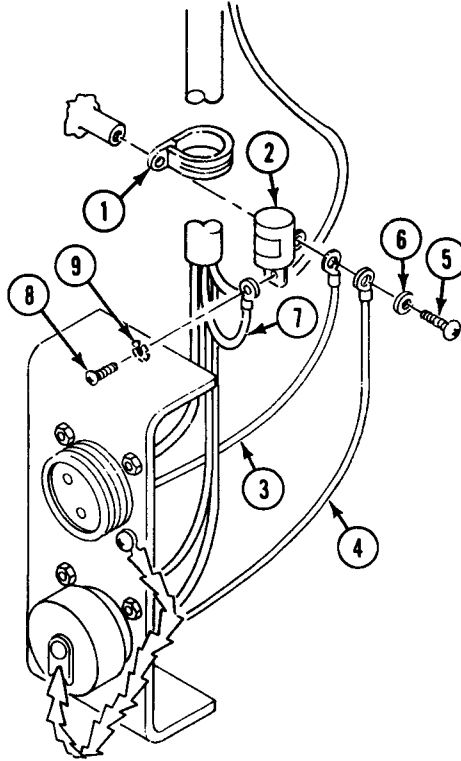
1. Install two receptacles (11) and cap chain (14) on bracket (15). Secure with eight screws (12) and new locknuts (13).
2. Install cap (10) on receptacle (11).



REPLACE BATTERY-TO-RADIO WIRING HARNESS (RIGHT SIDE) (M113A3 ONLY) —
Continued

0370 00

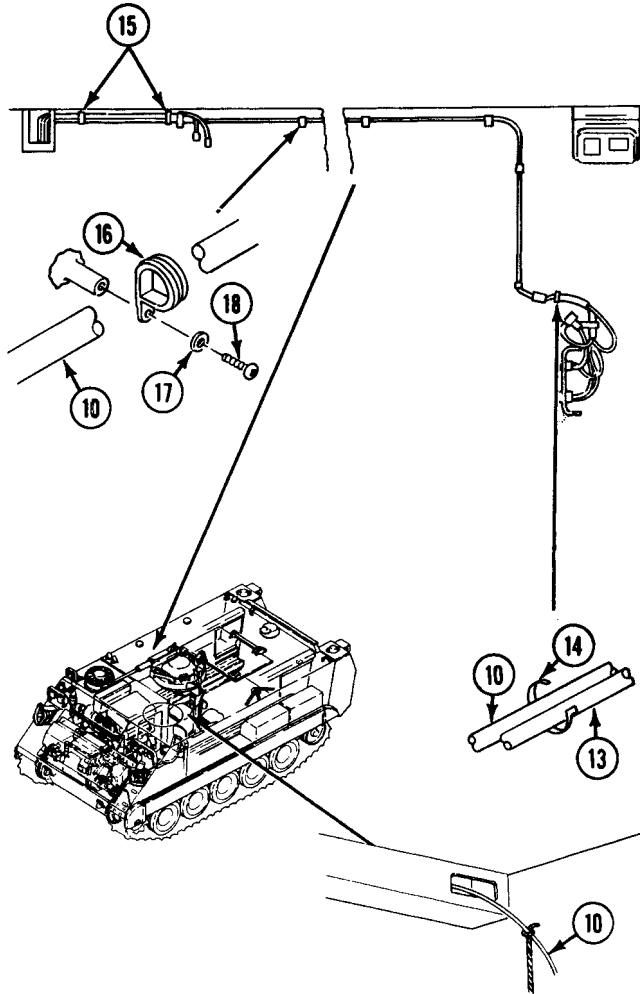
3. Install clamp (1), capacitor (2), and two ground leads (3)(4) on hull. Secure with screw (5) and washer (6).
4. Install circuit 48 lead (7) on capacitor (2). Secure with screw (8) and new lockwasher (9).



REPLACE BATTERY-TO-RADIO WIRING HARNESS (RIGHT SIDE) (M113A3 ONLY) —
Continued

0370 00

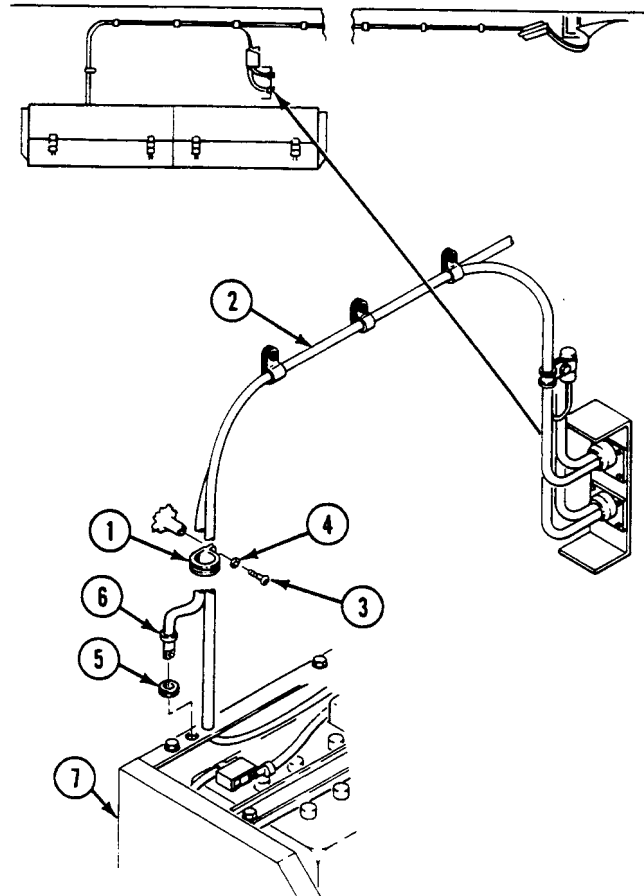
5. Secure circuit 6B positive (13) to harness (10) with new strap (14). Install two new straps (15) and eight clamps (16) on harness. Secure with eight washers (17) and screws (18).
6. Tie cord hanging from beam to new or repaired harness (10) with strong knot. Pull cord from opposite side of carrier, routing harness through hull beam. Untie cord from harness.



REPLACE BATTERY-TO-RADIO WIRING HARNESS (RIGHT SIDE) (M113A3 ONLY) —
Continued

0370 00

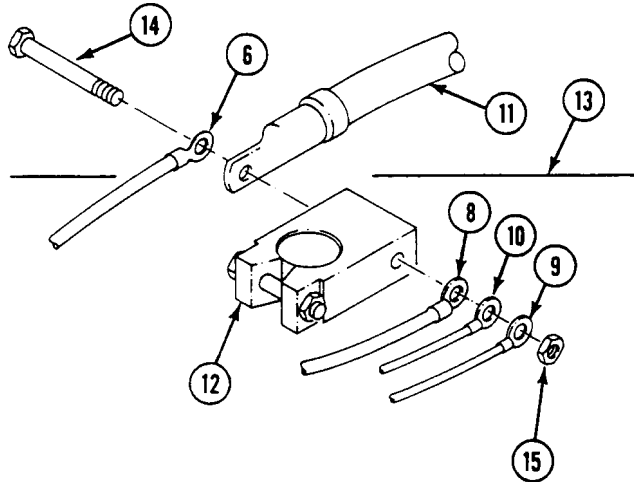
7. Install ten clamps (1) on harness (2). Secure clamps to hull with ten screws (3) and new lockwashers (4).
8. Install new grommet (5) on circuit 48 lead (6) Route lead through hole in battery box (7). Secure grommet in box.



REPLACE BATTERY-TO-RADIO WIRING HARNESS (RIGHT SIDE) (M113A3 ONLY) —
Continued

0370 00

9. Install two circuit 48 leads (6)(8), Circuit 772 lead (9), circuit 778 lead (10), and positive jumper lead (11) on positive terminal (12) of third battery (13). Secure with screw (14) and nut (15).

**FOLLOW-THROUGH STEPS**

1. Install second battery box cover (see your -10).
2. Connect battery ground strap (WP 0337 00).

END OF TASK

REPLACE RIGHT HEADLIGHT WIRING HARNESS

0373 00

THIS WORK PACKAGE COVERS:

- Removal (page 0373 00-1).
- Inspect and Repair (page 0373 00-3).
- Installation (page 0373 00-3).

INITIAL SETUP:

Maintenance Level

Unit

Personnel Required

Mechanic

Tools and Special Tools

- General Mechanic's Tool Kit (WP 0926 00, Item 65)
- Multimeter (WP 0926 00, Item 30)

References

TM 9-2350-277-10

Materials/Parts

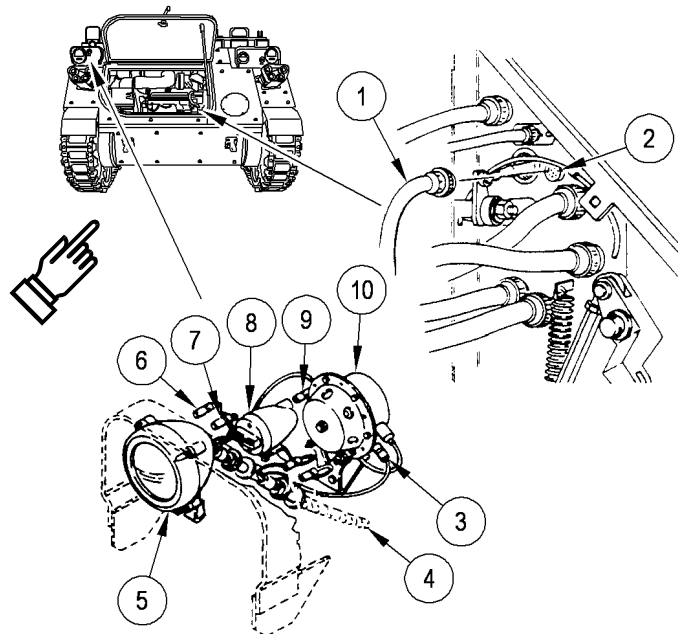
- Insulation tape (WP 0928 00, Item 39)
- Lockwasher (2)
- Lockwasher (4)
- Terminal (6)
- Tie strap (2)

Equipment Condition

- Engine stopped (TM 9-2350-277-10)
- Carrier blocked (TM 9-2350-277-10)
- Power plant access door open (TM 9-2350-277-10)
- Power plant grill raised (WP 0464 00)
- Battery ground strap disconnected (WP 0337 00 or WP 0338 00)

REMOVAL

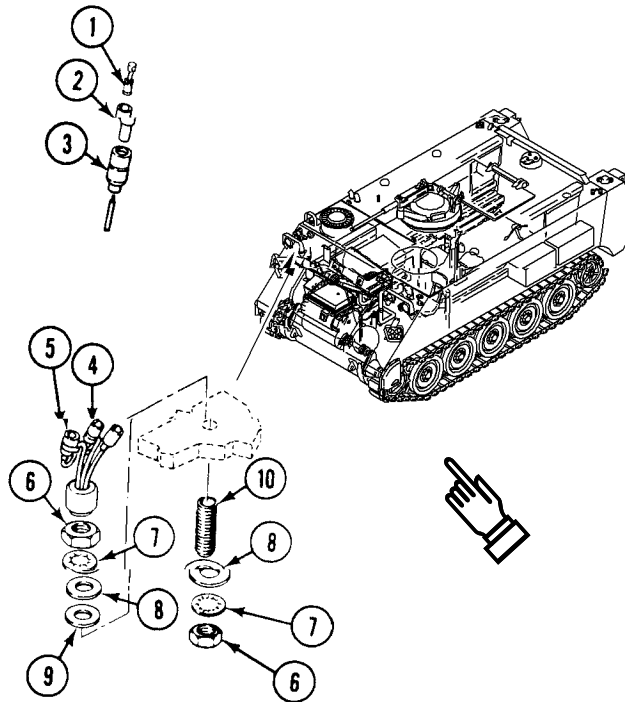
1. Disconnect right headlight wiring harness (1) from front main wiring harness (2) at driver's compartment bulkhead.
2. Disconnect circuit 25 lead (3) from horn (10).
3. Disconnect circuit 20 lead (9) from right blackout marker light (8).
4. Disconnect circuits 17 and 18 leads (7) and (6) from right service headlight (5).



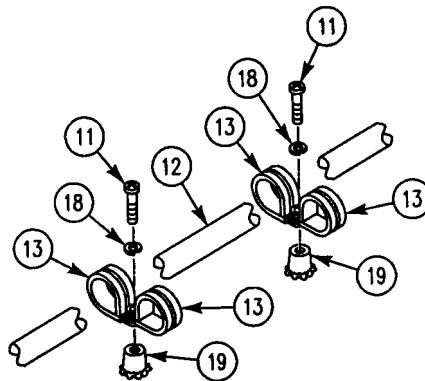
REPLACE RIGHT HEADLIGHT WIRING HARNESS — Continued

0373 00

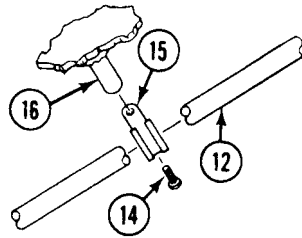
5. Remove six terminals (1), insulators (2), and connectors (3) from six leads disconnected in Steps 1 - 5. Discard terminals.
6. Remove tape from circuit 17 and 18 leads (4) and (5) and remove six leads for circuits 17, 18, 20, 25, 514, 515 from hull bushings (10).
7. Remove four nuts (6), lockwashers (7), washers (8), and two washers (9) from two bushings (10). Unscrew and remove bushings from hull. Discard lockwashers.



8. Remove two screws (11), lockwashers (18), four clamps (13), and harness (12) from two weldnuts (19).



9. Remove screw (14), clamp (15), and harness (12) from weldnut (16).



INSPECT AND REPAIR

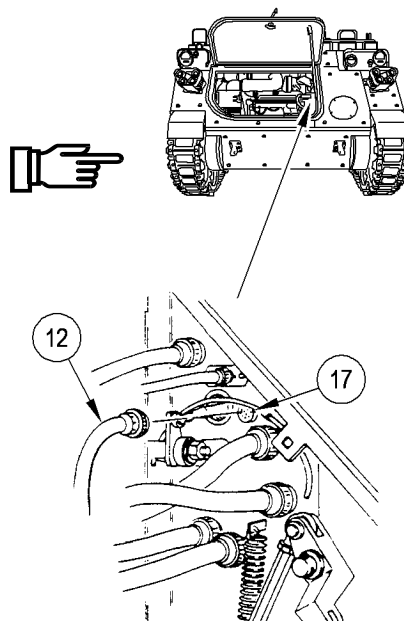
1. Check leads for continuity. Replace bad leads.
2. Check harness for damage. Repair damaged connectors or terminals (WP 0382 00).

INSTALLATION

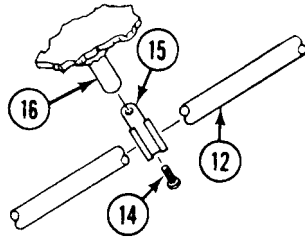
NOTE

New harness assembly comes with hull bushing assemblies installed.

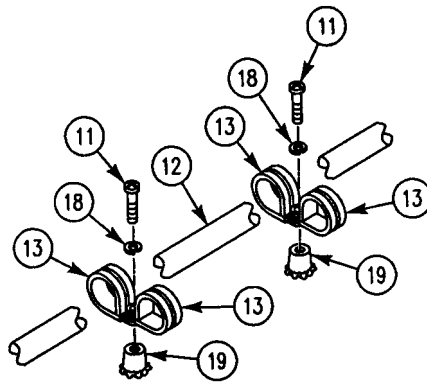
1. Connect right headlight wiring harness (12) to front main wiring harness (17) at driver's compartment bulkhead.



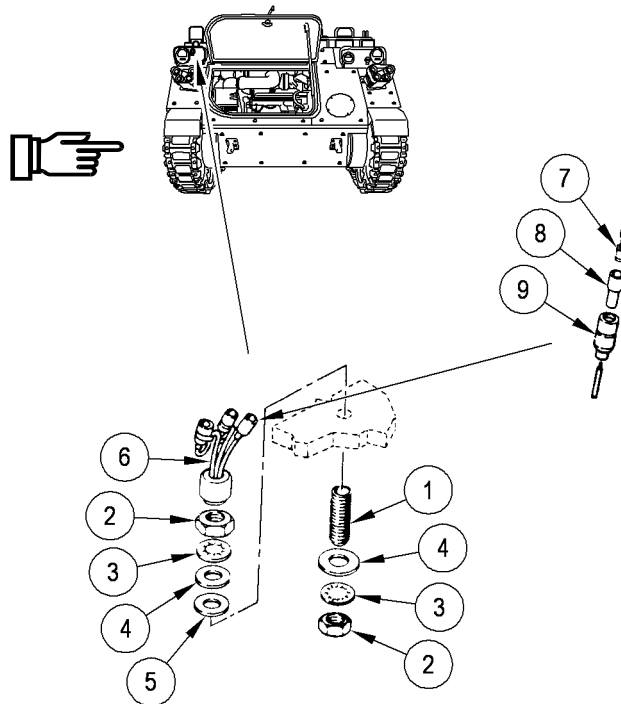
2. Install clamp (14) on harness (12). Secure clamp to hull weldnut (16) with screw (14).



3. Install four clamps (13) on harnesses (12). Secure clamps to hull weldnuts (19) with two screws (11) and new lockwashers (18).



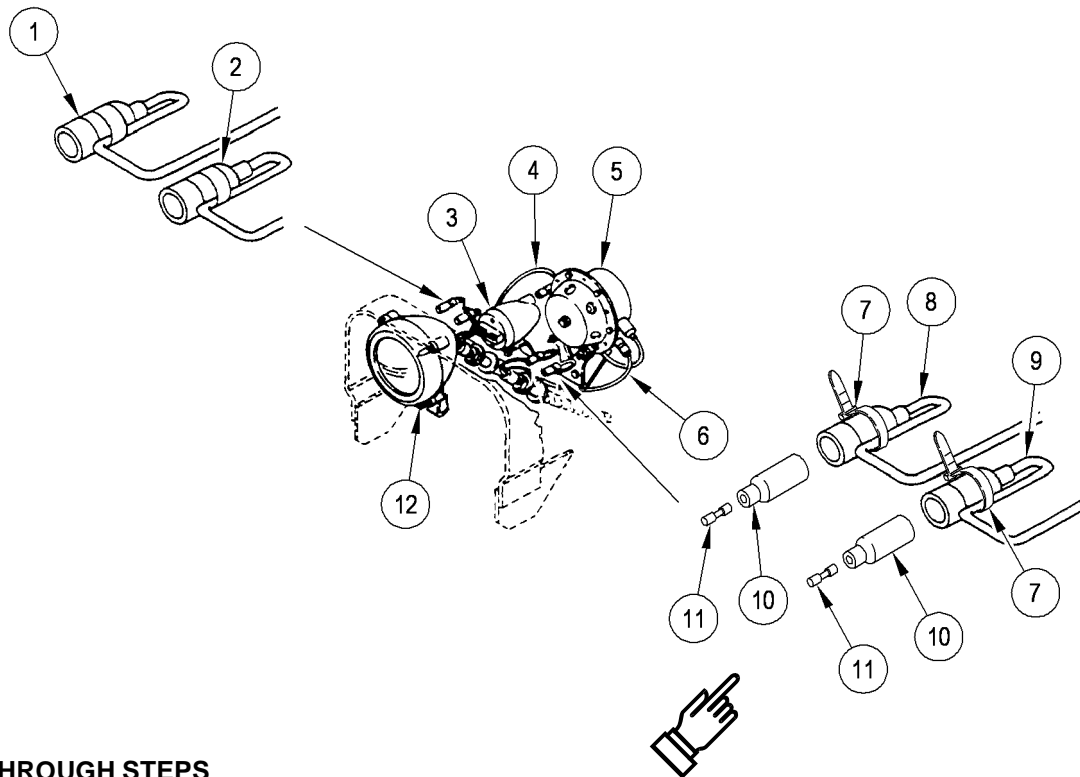
4. Thread two bushings (1) into hull. Secure with four nuts (2), new lockwashers (3), washers (4), and two washers (5). Do not tighten nuts.
5. Locate service headlight and blackout marker light bushing hole in hull. Slowly slide leads for circuit 17, 18, and 20 (6) through hole. Do not damage wiring leads.
6. Locate second bushing hole in hull. Slowly slide leads for circuits 25, 514, and 515 (6) through hole. Do not damage wiring leads.
7. Install six new terminals (7), insulators (8), and connectors (9) on six leads.



REPLACE RIGHT HEADLIGHT WIRING HARNESS — Continued

0373 00

8. Install two dummy plugs (11) and two shells (10) on leads 514 (8) and 515 (9). Secure shells (10) to existing wires with two tie traps (7).
9. Connect lead 25 (6) to horn (5).
10. Connect lead 20 (4) to marker lamp (3).
11. Bend and tape leads 17 (1) and 18 (2) as shown. Connect leads to service headlamps (12).

**FOLLOW-THROUGH STEPS**

1. Lower power plant grill (WP 0464 00).
2. Connect battery ground strap (WP 0337 00 or WP 0338 00).
3. Close power plant access door. See TM 9-2350-277-10.

END OF TASK

REPLACE WARNING PANEL WIRING HARNESS

0374 00

THIS WORK PACKAGE COVERS:

- Removal (page 0374 00-1).
- Inspection and Repair (page 0374 00-3).
- Installation (page 0374 00-4).

INITIAL SETUP:

Maintenance Level

Unit

References

See your -10

Tools and Special Tools

General Mechanic's Tool Kit (WP 0926 00, Item 65)

Materials/Parts

- Lockwasher
- Lockwasher
- Lockwasher (4)

Equipment Condition

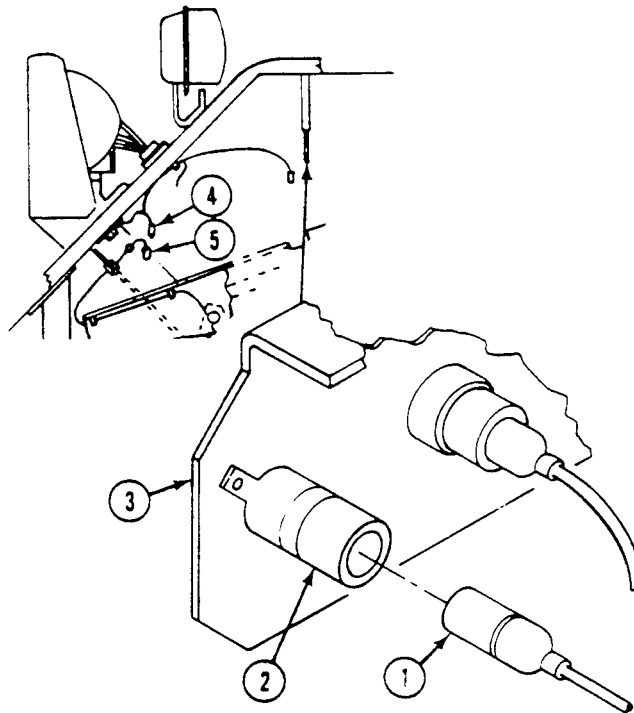
- Engine stopped (see your -10)
- Carrier blocked (see your -10)
- Battery ground strap disconnected (WP 0337 00), (WP 0338 00), or (WP 0339 00)

Personnel Required

Unit Mechanic

REMOVAL

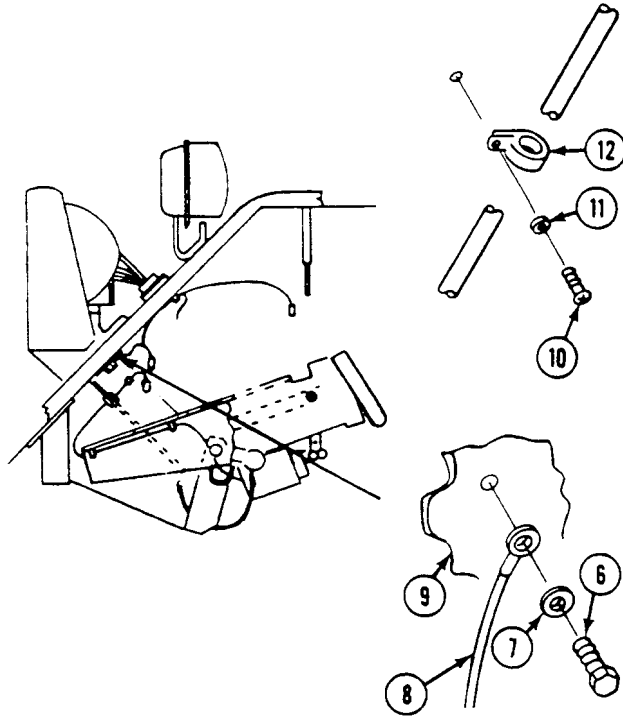
1. Disconnect wiring harness lead (1) from STEERING LOCKED indicator (2) on warning light panel (3).
2. Disconnect wiring harness connector (4) from connector (5).



REPLACE WARNING PANEL WIRING HARNESS — Continued

0374 00

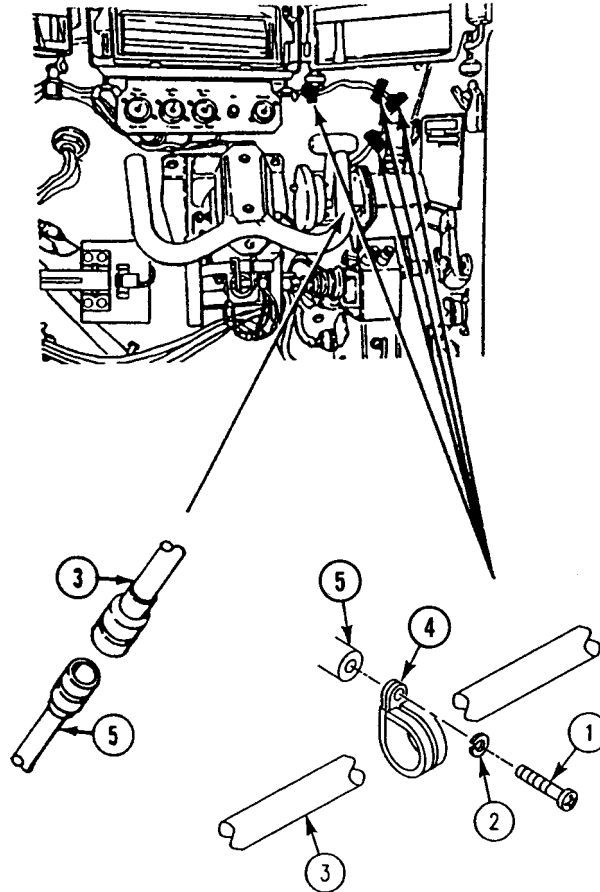
3. Remove screw (6), lockwasher (7), and ground lead (8) from plate (9). Discard lockwasher.
4. Remove screw (10), lockwasher (11), and clamp (12) from upper nose plate of front hull. Discard lockwasher.



REPLACE WARNING PANEL WIRING HARNESS — Continued

0374 00

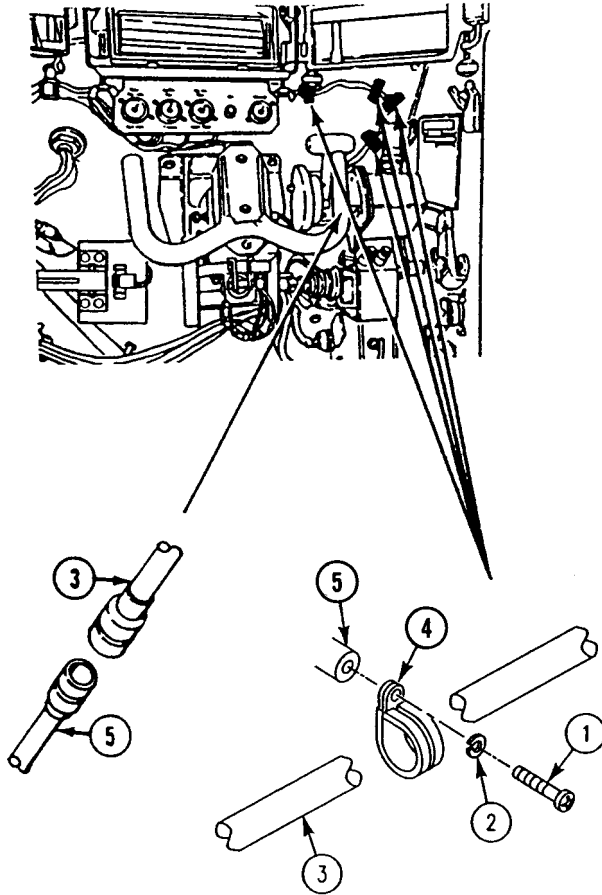
5. Remove four screws (1), lockwashers (2), clamps (4), and wiring harness (3) from weldnuts (5). Discard lockwashers.
6. Disconnect wiring harness (3) from connector (5).

**INSPECTION-ACCEPTANCE AND REJECTION CRITERIA****INSPECTION AND REPAIR**

1. Check connectors. Repair as needed (WP 0382 00).

INSTALLATION

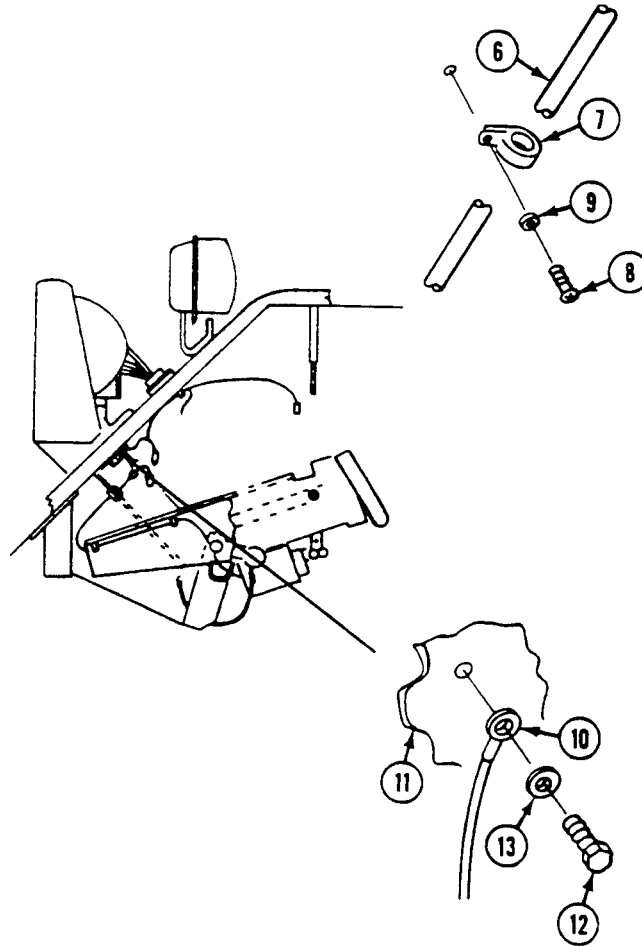
1. Connect wiring harness (3) to connector (5).
2. Install wiring harness (3) and clamps (4) on four weldnuts. Secure with four new lockwashers (2) and screws (1).



REPLACE WARNING PANEL WIRING HARNESS — Continued

0374 00

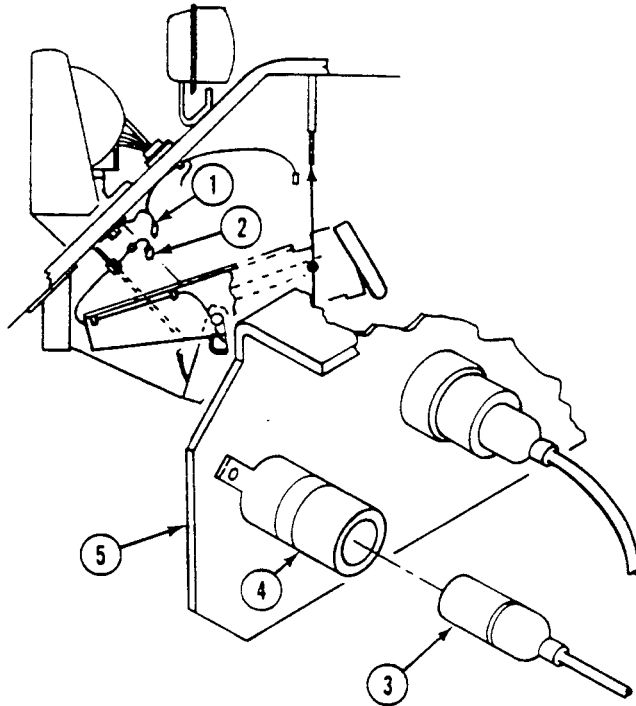
3. Install wiring harness (6) and clamp (7) on upper nose plate of front hull. Secure with screw (8), new lockwasher (9) and clamp (7).
4. Install ground lead (10) on plate (11). Secure with screw (12) and new lockwasher (13).



REPLACE WARNING PANEL WIRING HARNESS — Continued

0374 00

5. Connect wiring harness connector (1) to connector (2).
6. Connect wiring harness lead (3) to STEERING LOCKED indicator (4) on warning light panel (5).

**FOLLOW-THROUGH STEPS**

1. Connect battery ground strap (WP 0337 00), (WP 0338 00), or (WP 0339 00).
2. Turn MASTER SWITCH to ON (see your -10).
3. Place transmission controller in SL position. Check that STEERING LOCKED indicator is on (see your -10).
4. Turn MASTER SWITCH to OFF (see your -10).

END OF TASK

REPLACE TRAILER HARNESS

0375 00

THIS WORK PACKAGE COVERS:

- Removal (page 0375 00-1).
- Inspection (page 0375 00-2).
- Installation (page 0375 00-3).

INITIAL SETUP:

Maintenance Level

Unit

References

See your -10

Tools and Special Tools

- General Mechanic's Tool Kit (WP 0926 00, Item 65)
- Multimeter (WP 0926 00, Item 30)

Equipment Condition

- Engine stopped (see your -10)
- Carrier blocked (see your -10)
- Ramp raised (see your -10)
- Rear floor plates removed (WP 0539 00), (WP 0540 00), (WP 0541 00), (WP 0542 00), (WP 0543 00), (WP 0544 00), or (WP 0545 00)
- Battery ground strap disconnected (WP 0337 00), (WP 0338 00), or (WP 0339 00)

Materials/Parts

- Gasket
- Lockwasher (2)

Personnel Required

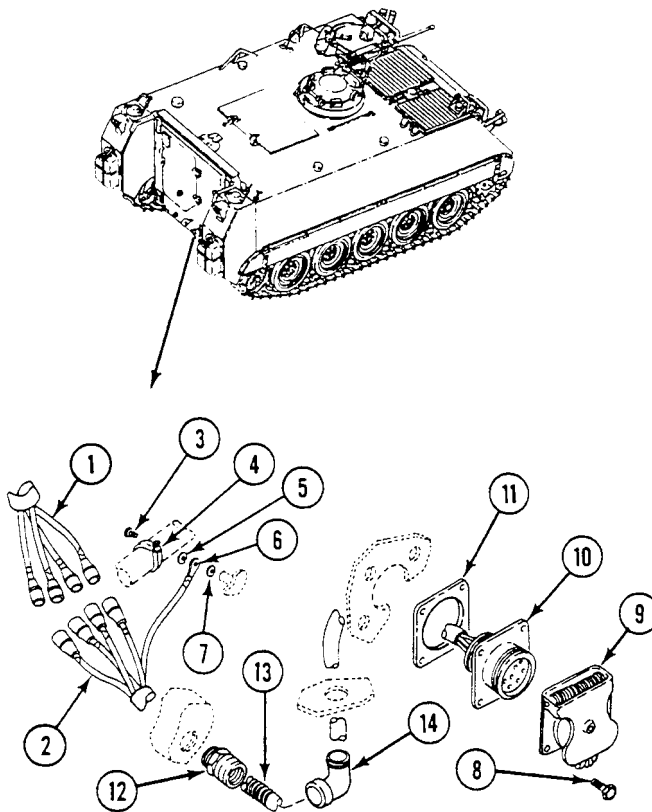
Unit Mechanic

REMOVAL

1. Disconnect rear wiring harness circuit 21, 22, 23, and 24 leads (1) from trailer wiring harness circuit 21, 22, 23, and 24 leads (2).

REPLACE TRAILER HARNESS — Continued**0375 00**

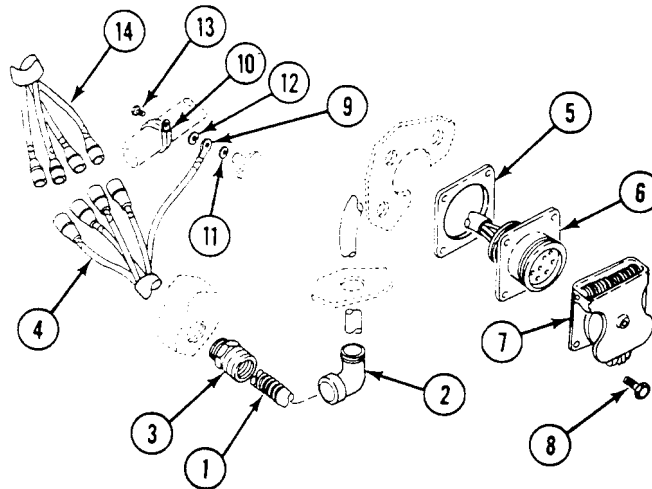
2. Remove shell connectors from leads (2) (WP 0382 00).
3. Remove screw (3), clamp (4), lockwasher (5), circuit 90 lead (6), lockwasher (7) from hull weldnut. Discard lockwashers.
4. Remove four screws (8) and receptacle cover (9) from ramp. Carefully remove receptacle (10) with attached leads (2) and gasket (11) from ramp. Discard gasket.
5. If needed, remove connector (12) from rear bulkhead.
6. If needed, remove spring (13) and elbow (14) from ramp.

**INSPECTION-ACCEPTANCE AND REJECTION CRITERIA**

1. Check receptacle. If receptacle is cracked or broken, notify supervisor.

INSTALLATION

1. If removed, install spring (1) and elbow (2) in ramp.
2. If removed, install connector (3) in rear bulkhead.
3. Route leads (4) through new gasket (5), and out through elbow (2).
4. Install gasket (5), receptacle (6), and cover (7) on ramp. Secure with four screws (8).
5. Route leads (4) through spring (1) and connector (3).
6. Install circuit 90 lead (9) between clamp (10) and weldnut on hull. Secure with new lockwasher (11), new lockwasher (12), and screw (13).
7. Install shell connectors on leads (4) (WP 0382 00).
8. Connect leads (4) to leads (14).



FOLLOW-THROUGH STEPS

1. Install rear floor plates (WP 0539 00), (WP 0540 00), (WP 0541 00), (WP 0542 00), (WP 0543 00), (WP 0544 00), or (WP 0545 00).
2. Connect battery ground strap (WP 0337 00), (WP 0338 00), or (WP 0339 00).
3. Turn MASTER SWITCH ON (see your -10).
4. Check with multimeter to make sure harness is installed properly.
5. Turn MASTER SWITCH OFF (see your -10).

END OF TASK

REPLACE RADIAC WIRE HARNESS (M113A3, M577A3, AND M1068A3 ONLY)

0376 00

THIS WORK PACKAGE COVERS:

Removal (page 0376 00-1).
 Installation (page 0376 00-2).

INITIAL SETUP:

Maintenance Level

Unit

References

See your -10

Tools and Special Tools

General Mechanic's Tool Kit (WP 0926 00, Item 65)

Equipment Condition

Engine Stopped (see your -10)

Carrier blocked (see your -10)

Ramp lowered (see your -10)

Battery ground strap disconnected (WP 0337 00) or (WP 0338 00)

Materials/Parts

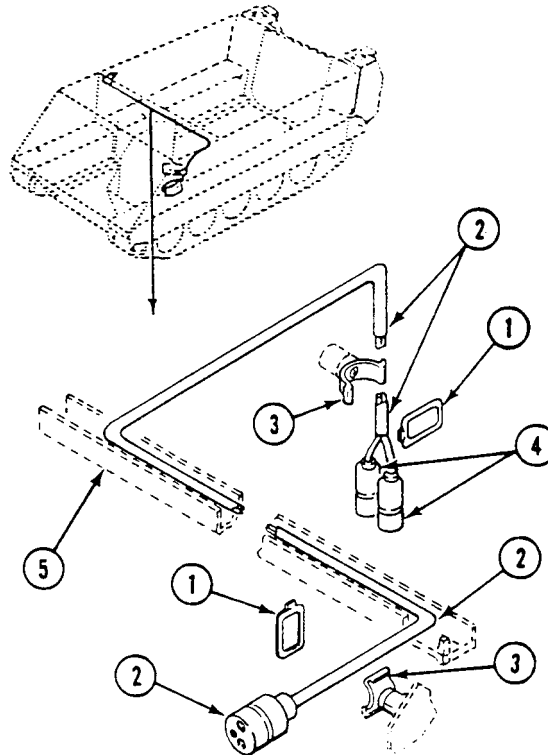
Cord (WP 0928 00, Item 31)

Personnel Required

Unit Mechanic

REMOVAL

1. Remove four clips (1) and RADIAC harness (2) from four cradles (3).
2. Remove electrical connectors (4) from end of harness (2) (WP 0382 00).
3. Tie 12-foot (3.7 m) cord to harness (2).
4. Pull harness (2) and cord through cross beam (5). Untie cord from harness (2), leaving cord in cross beam.

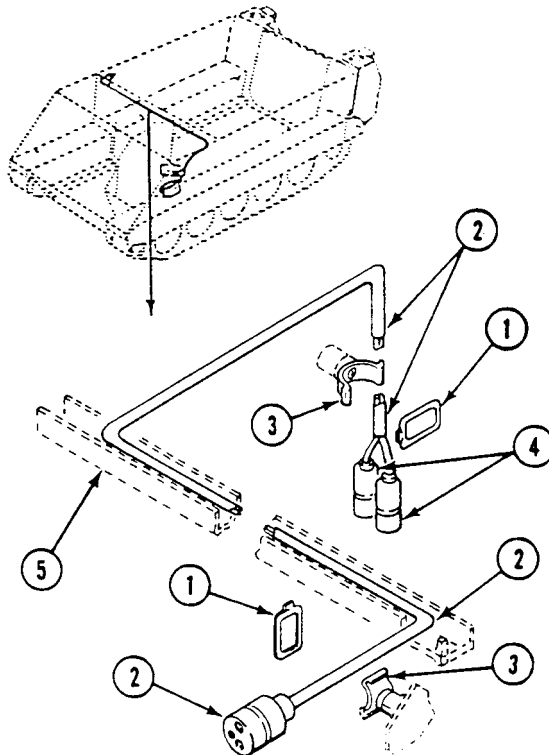


REPLACE RADIAC WIRE HARNESS (M113A3, M577A3, AND M1068A3 ONLY) —
Continued

0376 00

INSTALLATION

1. Tie cord left in cross beam (5) to end of RADIAC harness (2).
2. Pull cord and harness (2) through cross beam. Remove cord.
3. Install electrical connectors (4) on harness (2) (WP 0382 00).
4. Place harness (2) on four cradles (3) and secure with four clips (1).

**FOLLOW-THROUGH STEPS**

1. Connect battery ground strap (WP 0337 00) or (WP 0338 00).
2. Start engine (see your -10).
3. Raise and lock ramp (see your -10).
4. Stop engine (see your -10).

END OF TASK

REPLACE UTILITY OUTLET LEAD ASSEMBLY (M577A3 AND M1068A3 ONLY)

0377 00

THIS WORK PACKAGE COVERS:

- Removal (page 0377 00-1).
- Inspection and Repair (page 0377 00-2).
- Installation (page 0377 00-2).

INITIAL SETUP:

Maintenance Level

Unit

References

See your -10

Tools and Special Tools

General Mechanic's Tool Kit (WP 0926 00, Item 65)

Equipment Condition

Engine stopped (see your -10)

Personnel Required

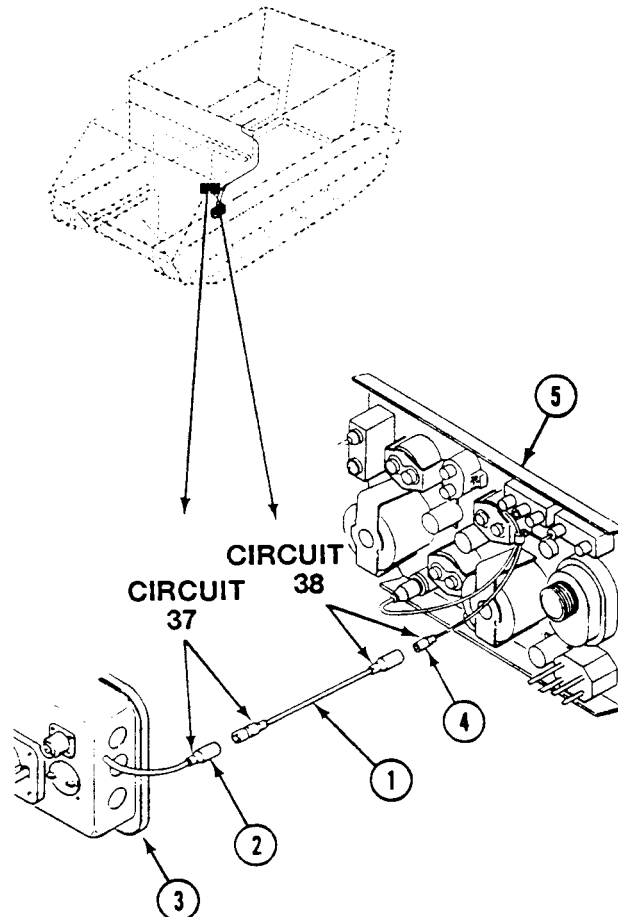
Unit Mechanic

Carrier blocked (see your -10)

Battery ground lead disconnected (WP 0338 00)

REMOVAL

1. Disconnect lead assembly (1) from circuit 37 lead (2) at master switch panel (3).
2. Disconnect lead assembly (1) from circuit 38 lead (4) at instrument panel (5). Remove lead assembly.



REPLACE UTILITY OUTLET LEAD ASSEMBLY (M577A3 AND M1068A3 ONLY) —
Continued

0377 00

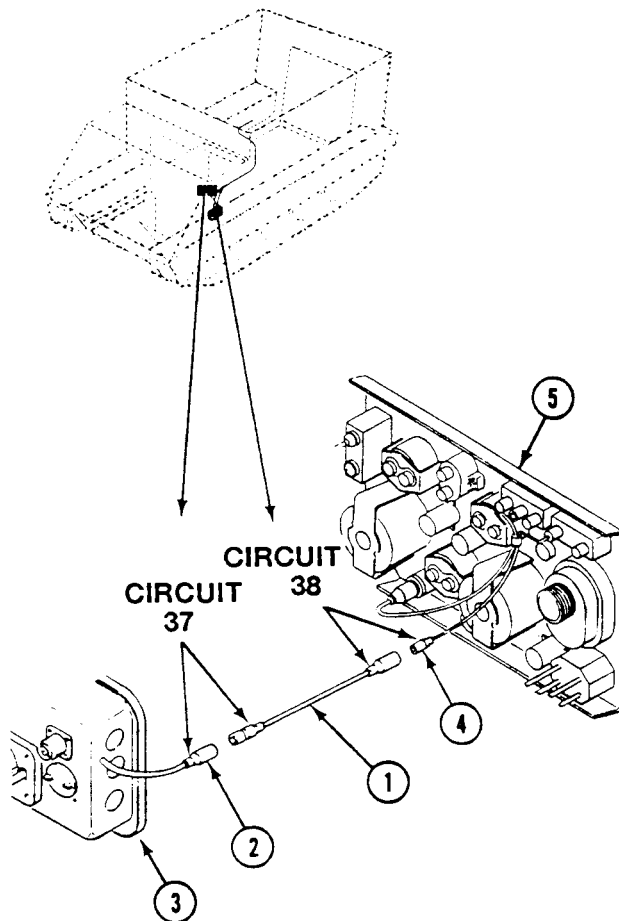
INSPECTION-ACCEPTANCE AND REJECTION CRITERIA**INSPECTION AND REPAIR**

1. Check connectors. Repair as needed (WP 0382 00).

INSTALLATION**NOTE**

Lead assembly is banded as circuit 37 at master switch panel and circuit 38 at instrument panel.
Make sure it is installed properly.

1. Connect lead assembly (1) to circuit 38 lead (4) at instrument panel (5).
2. Connect lead assembly (1) to circuit 37 lead (2) at master switch panel (3).

**FOLLOW-THROUGH STEPS**

1. Connect battery ground lead (WP 0338 00).
2. Turn MASTER SWITCH to ON to check that lead assembly is installed properly (see your -10).
3. Turn MASTER SWITCH to OFF (see your -10).

END OF TASK

REPLACE REAR UTILITY OUTLET RECEPTACLES (M577A3 AND M1068A3 ONLY)

0378 00

THIS WORK PACKAGE COVERS:

- Removal (page 0378 00-1).
- Inspection and Repair (page 0378 00-2).
- Installation (page 0378 00-2).

INITIAL SETUP:

Maintenance Level

Unit

References

See your -10

Tools and Special Tools

General Mechanic's Tool Kit (WP 0926 00, Item 65)

Equipment Condition

Engine stopped (see your -10)

Materials/Parts

Lockwasher (5)

Gasket

Carrier blocked (see your -10)

Personnel Required

Unit Mechanic

Ramp lowered (see your -10)

Battery ground lead disconnected (WP 0338 00)

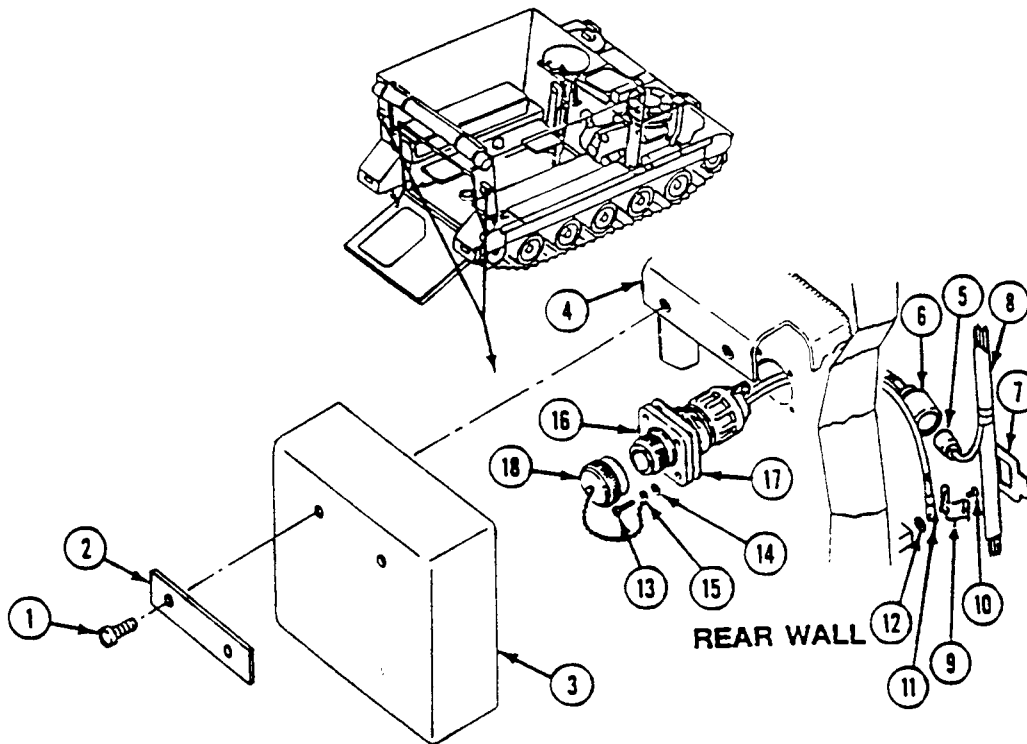
REMOVAL

1. Remove two screws (1) retainer strip (2) and rubber shield (3) from hull mount (4).

REPLACE REAR UTILITY OUTLET RECEPTACLES (M577A3 AND M1068A3 ONLY) —
Continued

0378 00

2. Disconnect circuit 37A lead (5) (right receptacle) or circuit 37B lead (5) (left receptacle) from receptacle lead (6).
3. Remove clip (7) and rear main wiring harness (8) from cradle (9).
4. Remove screw (10), cradle (9), ground lead (11), and lockwasher (12) from hull weldnut. Discard lockwasher.
5. Remove four screws (13), lockwashers (14), chain (15), receptacle (16), and gasket (17) from rear bulkhead. Discard gasket and lockwashers.
6. Remove cap (18) from receptacle (16).

**INSPECTION-ACCEPTANCE AND REJECTION CRITERIA****INSPECTION AND REPAIR**

1. Check connectors. Repair as needed (WP 0382 00).

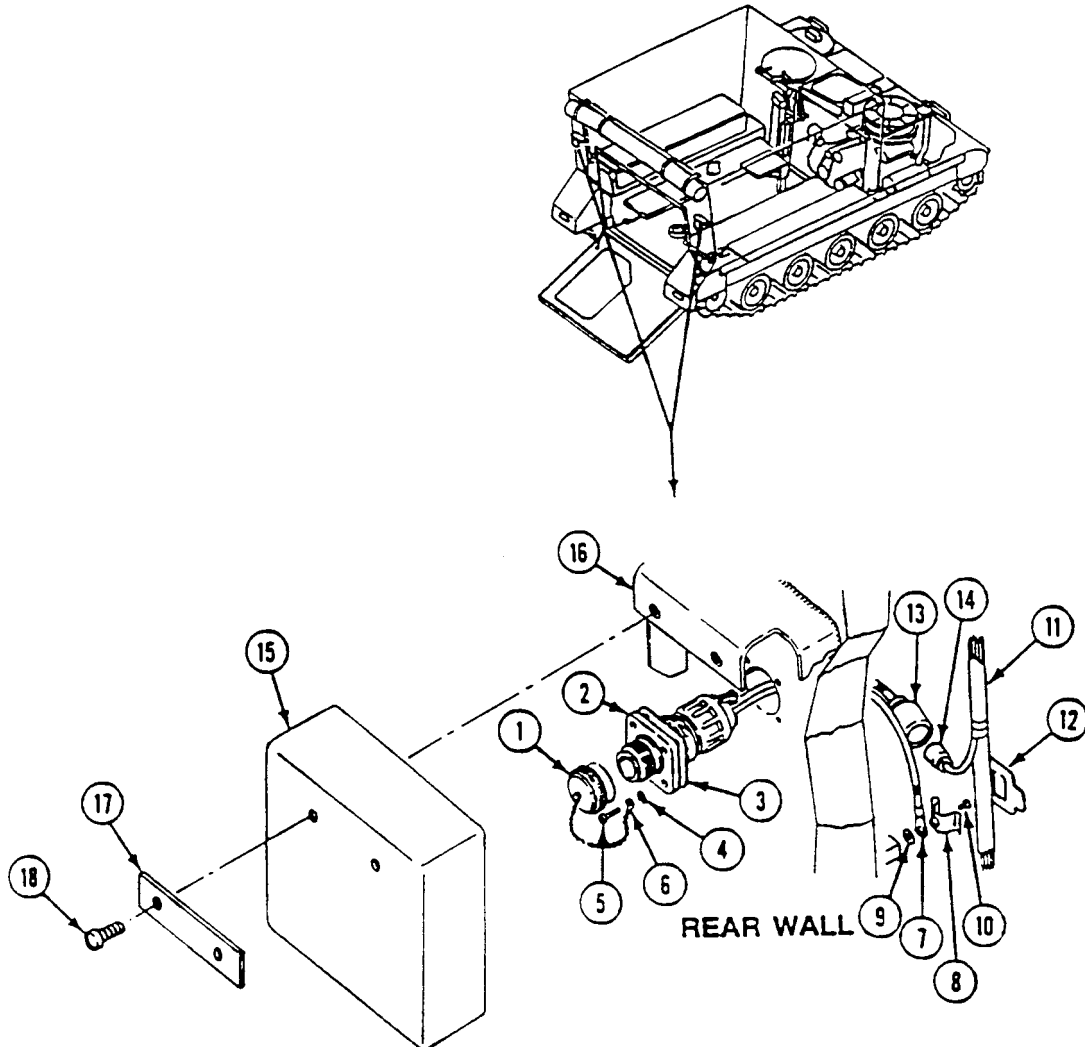
INSTALLATION

1. Install cap (1) on receptacle (2).
2. Place new gasket (3) and receptacle (2) on rear bulkhead. Secure with four new lockwashers (4) and screws (5) with chain (6) under head of one screw.
3. Install ground lead (7) and cradle (8) on hull weldnut. Secure with new lockwasher (9) and screw (10).
4. Place rear main wiring harness (11) in cradle (8). Secure with clip (12).
5. Connect receptacle lead (13) to circuit 37A lead (14) (right receptacle) or circuit 37B lead (14) (left receptacle).

**REPLACE REAR UTILITY OUTLET RECEPTACLES (M577A3 AND M1068A3 ONLY) —
Continued**

0378 00

6. Install rubber shield (15) on hull mount (16). Secure with retainer strip (17) and two screws (18).



FOLLOW-THROUGH STEPS

1. Connect battery ground lead (WP 0338 00).
2. Turn MASTER SWITCH to ON to check that receptacle is installed properly (see your -10).
3. Start engine (see your -10).
4. Raise and lock ramp (see your -10).
5. Stop engine (see your -10).

END OF TASK

**REPLACE AUXILIARY POWER (SLAVE) RECEPTACLE GROUND LEAD
(M113A3, M1059A3, M1064A3, AND M58 ONLY)**

0379 00

THIS WORK PACKAGE COVERS:

Removal (page 0379 00-1).
Installation (page 0379 00-3).

INITIAL SETUP:

Maintenance Level

Unit

Personnel Required

Unit Mechanic

Tools and Special Tools

General Mechanic's Tool Kit (WP 0926 00, Item 65)

References

See your -10

Materials/Parts

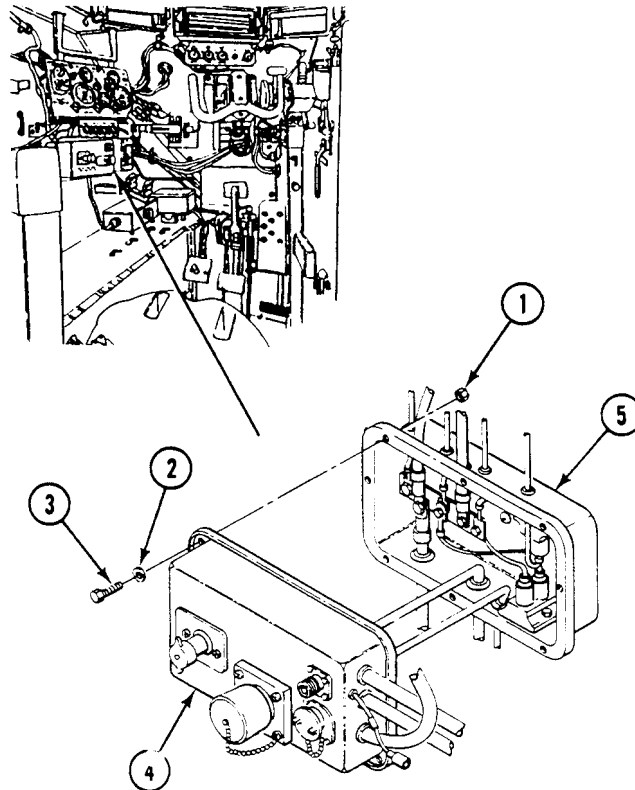
Grommet
Locknut (8)
Locknut
Lockwasher

Equipment Condition

Engine stopped (see your -10)
Carrier blocked (see your -10)
Battery ground strap disconnected (WP 0337 00)

REMOVAL

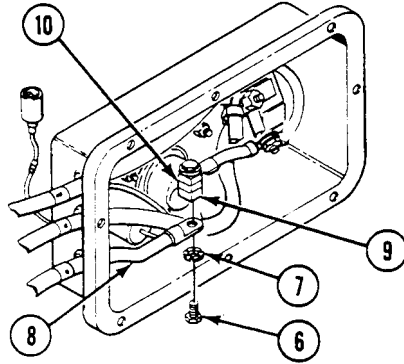
1. Remove eight locknuts (1), washers (2), screws (3), and master switch panel (4) from distribution box (5). Discard locknuts.



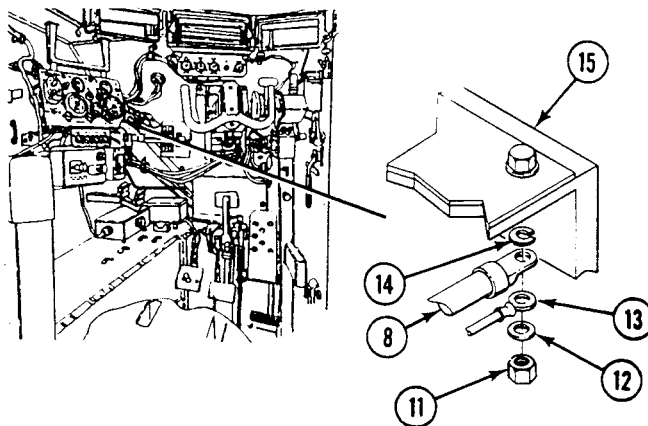
■ REPLACE AUXILIARY POWER (SLAVE) RECEPTACLE GROUND LEAD (M113A3, M1059A3, M1064A3, AND M58 ONLY) — Continued

0379 00

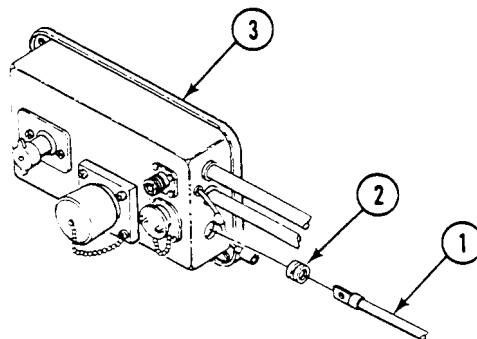
- Remove screw (6), lockwasher (7), and ground lead (8) from negative post (9) of auxiliary power receptacle (10). Do not discard lockwasher.



- Remove locknut (11), washer (12), lead (13), ground lead (8), and lockwasher (14) from instrument panel hull strut mount (15). Discard locknut and lockwasher.



- Remove ground lead (1) and grommet (2) from master switch panel (3). Discard grommet.

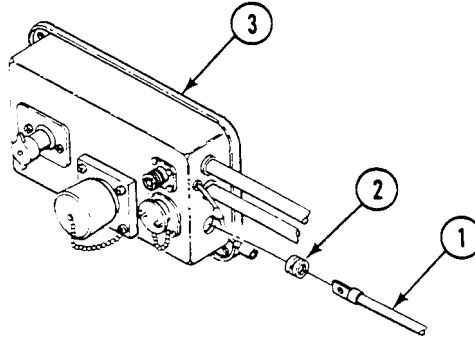


REPLACE AUXILIARY POWER (SLAVE) RECEPTACLE GROUND LEAD (M113A3, M1059A3, M1064A3, AND M58 ONLY) — Continued

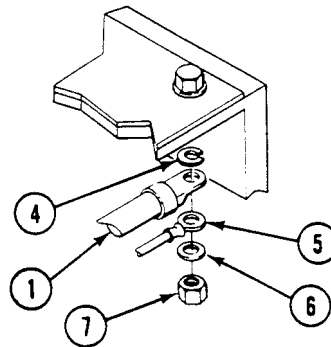
0379 00 ■

INSTALLATION

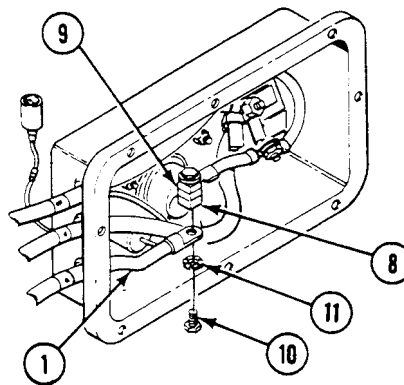
1. Install new grommet (2) on ground lead (1). Route lead through master switch panel (3). Install grommet in panel.



2. Install new lockwasher (4), ground lead (1), lead (5), washer (6), and new locknut (7). Tighten locknut.



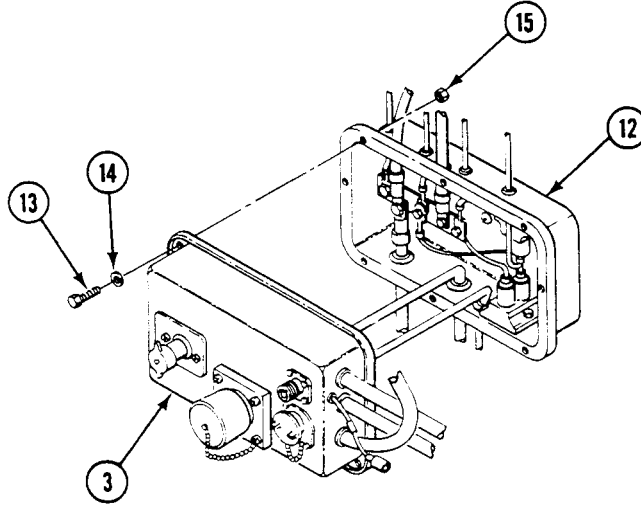
3. Install ground lead (1) on negative post (8) of auxiliary power receptacle (9). Secure with screw (10) and lockwasher (11).



REPLACE AUXILIARY POWER (SLAVE) RECEPTACLE GROUND LEAD (M113A3, M1059A3, M1064A3, AND M58 ONLY) — Continued

0379 00

4. Install master switch panel (3) on distribution box (12). Secure with eight screws (13), washers (14), and new locknuts (15).

**FOLLOW-THROUGH STEPS**

1. Connect battery ground strap (WP 0337 00).

END OF TASK

**REPLACE MASTER SWITCH PANEL DOME LIGHTS LEAD ASSEMBLY
(M577A3 AND M1068A3 ONLY)**

0380 00

THIS WORK PACKAGE COVERS:

Removal (page 0380 00-1).
Installation (page 0380 00-3).

INITIAL SETUP:

Maintenance Level

Unit

Personnel Required

Unit Mechanic

Tools and Special Tools

General Mechanic's Tool Kit (WP 0926 00, Item 65)

References

See your -10

Materials/Parts

Gasket
Grommet
Locknut (8)

Equipment Condition

Engine stopped (see your -10)
Carrier blocked (see your -10)
Battery ground lead disconnected (WP 0338 00)

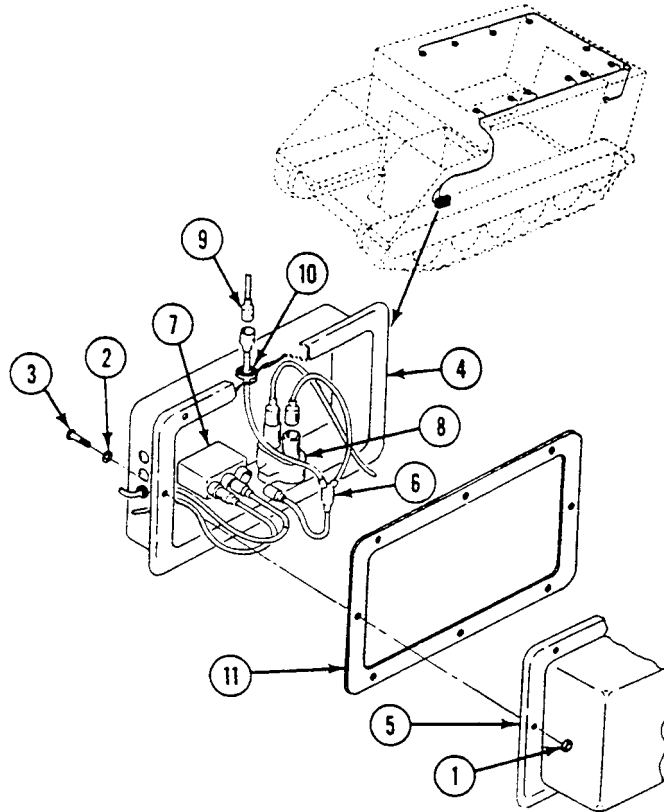
REMOVAL

1. Remove eight locknuts (1), washers (2), screws (3), and master switch panel (4) from distribution box (5). Discard locknuts.
2. Disconnect lead assembly (6) from front dome light switch (7), circuit breaker (8), and circuit 38E lead (9).
3. Pull lead assembly (6) with grommet (10) from master switch panel (4). Discard grommet.

REPLACE MASTER SWITCH PANEL DOME LIGHTS LEAD ASSEMBLY (M577A3 AND M1068A3 ONLY) — Continued

0380 00

4. Inspect gasket (11). Replace if damaged.

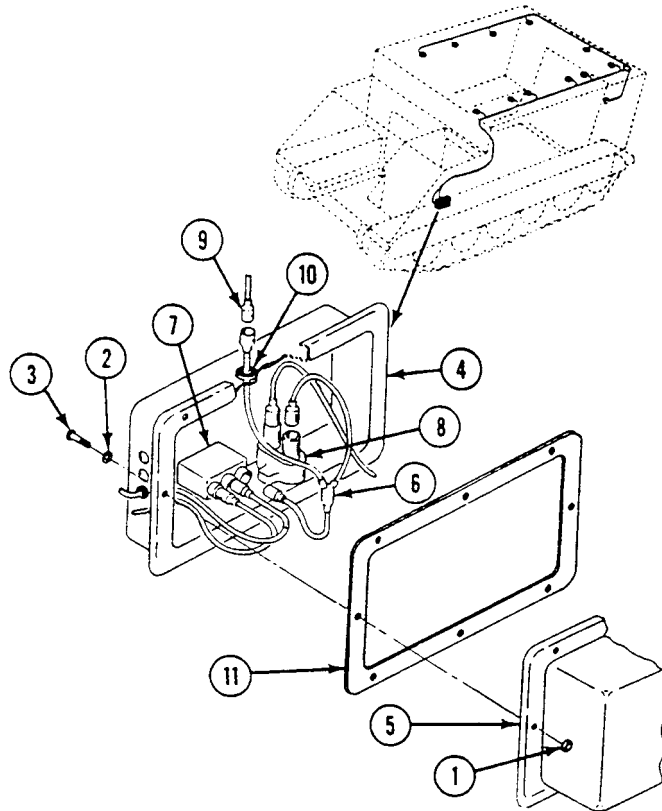


REPLACE MASTER SWITCH PANEL DOME LIGHTS LEAD ASSEMBLY (M577A3 AND M1068A3 ONLY) — Continued

0380 00

INSTALLATION

1. Replace gasket (11) if damaged.
2. Place new grommet (10) on branch of lead assembly (6) that connects to circuit 38E lead (9).
3. Install lead assembly (6) with grommet (10) in master switch panel (4).
4. Connect lead assembly (6) to circuit 38E lead (9), circuit breaker (8), and front dome light switch (7).
5. Place master switch panel (4) on distribution box (5). Secure with eight screws (3), washers (2), and new locknuts (1).

**FOLLOW-THROUGH STEPS**

1. Connect battery ground lead (WP 0338 00).
2. Turn MASTER SWITCH ON (see your -10).
3. Operate dome lights to check that lights operate properly (see your -10).
4. Turn all switches OFF (see your -10).

END OF TASK

REPAIR INTERVEHICLE POWER CABLE (M577A3 AND M1068A3 ONLY)

0381 00

THIS WORK PACKAGE COVERS:

Disassembly (page 0381 00-1).
 Assembly (page 0381 00-2).

INITIAL SETUP:

Maintenance Level

Unit

References

See your -10

Tools and Special Tools

General Mechanic's Tool Kit (WP 0926 00, Item 65)
 Soldering Torch Kit (WP 0926 00, Item 55)

Equipment Condition

Power cable removed from carrier (see your -10)

Personnel Required

Unit Mechanic

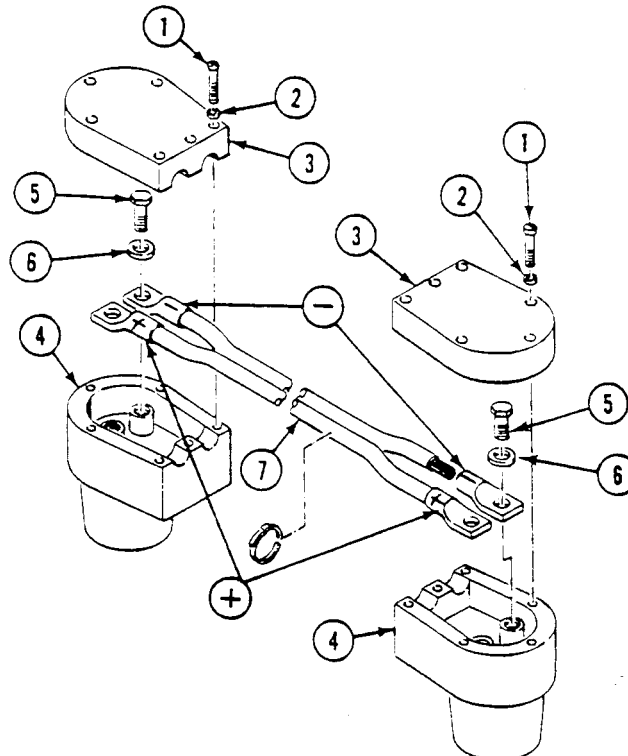
DISASSEMBLY

1. Remove 12 screws (1), washers (2), and cover (3) from connector (4).

NOTE

Note cable polarity position before removing from connector.

2. Remove four screws (5), washers (6), and two cables (7) from two connectors (4).
3. Remove four terminals, two (-) and two (+), from cables (7).



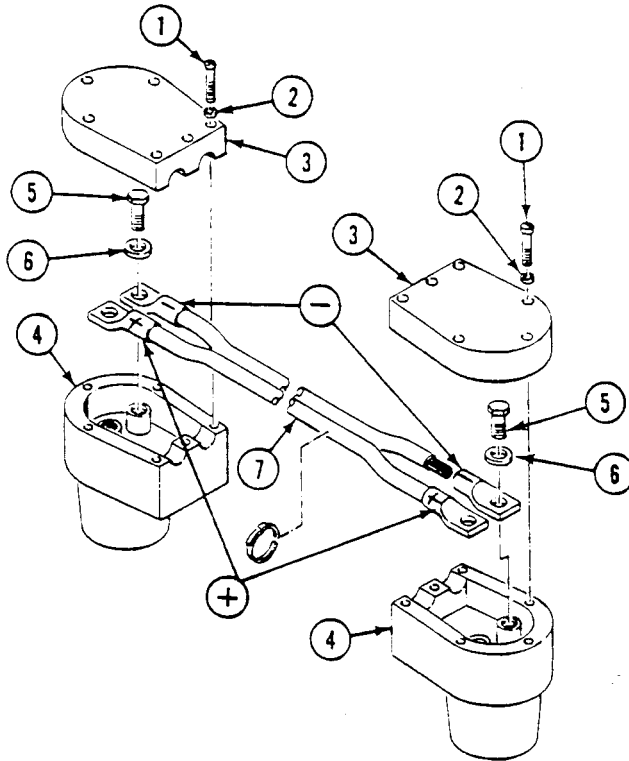
ASSEMBLY

1. Install four terminals, two (-) and two (+), on cables (7).

CAUTION

Do not switch cable polarity when securing cables to connectors.

2. Secure two cables (7) to two connectors (4) with four screws (5) and washers (6).
3. Secure two covers (3) to two connectors (4) with 12 screws (1) and washers (2).



END OF TASK

REPAIR WIRING HARNESS

0382 00

THIS WORK PACKAGE COVERS:

Disassembly (page 0382 00-1).
 Assemble (page 0382 00-4).

INITIAL SETUP:

Maintenance Level

Unit

Personnel Required

Unit Mechanic

Tools and Special Tools

General Mechanic's Tool Kit (WP 0926 00, Item 65)
 Electrical Tool Kit (WP 0926 00, Item 64)
 Hacksaw Frame (WP 0926 00, Item 23)
 Electric Gun Heater (WP 0926 00, Item 25)
 Soldering Gun (WP 0926 00, Item 54)

References

See your -10

Materials/Parts

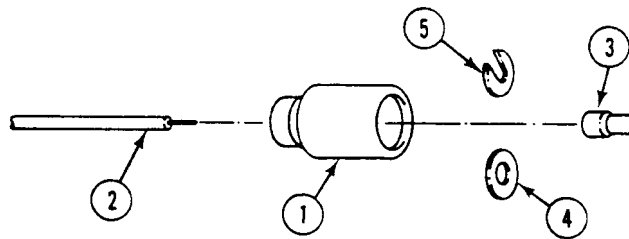
Hacksaw blade (WP 0928 00, Item 36)
 Pin (AR)
 Socket (AR)
 Tin, alloy solder (WP 0928 00, Item 62)
 Terminal (AR)

Equipment Condition

Engine stopped (see your -10)
 Carrier blocked (see your -10)
 Battery ground strap disconnected (WP 0337 00),
 (WP 0338 00), or (WP 0339 00)

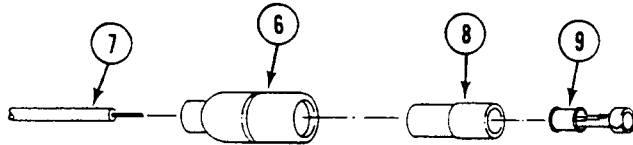
DISASSEMBLY

1. Remove male connector from harness lead.
 - a. Slide shell (1) back on lead (2).
 - b. Clip contact pin (3) from lead (2). Discard pin.
 - c. Remove washer (4) or slotted washer (5) and shell (1) from lead (2).



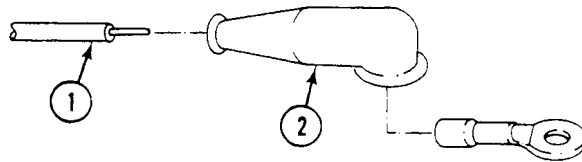
2. Remove female connector from harness lead.
 - a. Slide shell (6) back on lead (7).
 - b. Slide sleeve (8) back from contact socket (9).
 - c. Clip socket (9) from lead (7). Discard socket.

- d. Remove sleeve (8) and shell (6) from lead (7).

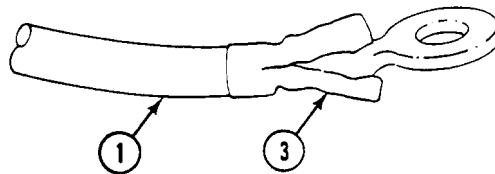


3. Remove terminal connector from harness lead.

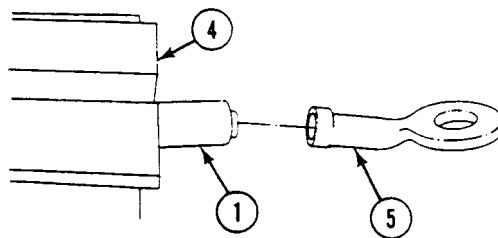
- a. If lead (1) has nipple (2), slide nipple back on lead.



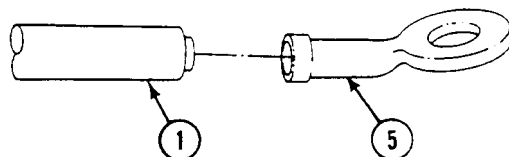
- b. If lead (1) has insulated sleeving (3), cut and discard sleeving from lead.



- c. If lead (1) is of large diameter, place in vise (4). Cut lead with hacksaw as close as possible to terminal (5). Discard terminal.



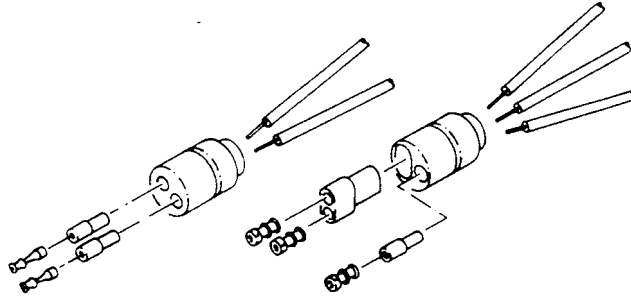
- d. If lead (1) is of small diameter, cut lead as close as possible to terminal (5). Discard terminal.



NOTE

Unit Maintenance can only repair multi-pin plugs with up to three sockets. For plugs with more than three sockets, notify your supervisor.

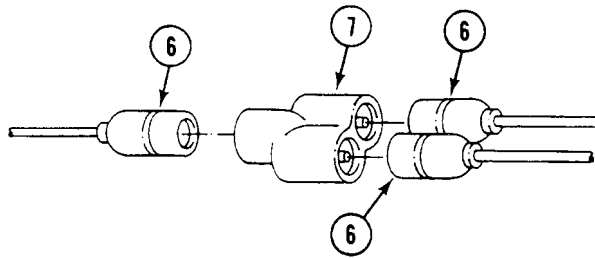
4. Remove multiple connectors the same way as single connectors. Be sure to tag leads to ensure correct installation. See Step 1 and Step 2 above.



NOTE

For wiring harness repair, it may be necessary to remove Y-type adapters and dummy plugs.

5. Remove Y-type adapter or dummy plug from harness lead.
 - a. Pull harness leads (6) from Y-type adapter (7). Remove adapter.



- b. Pull dummy plug (8) from male or female connector (9).



ASSEMBLY

NOTE

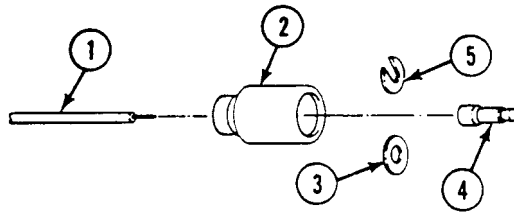
If replacing lead, cut new wire from bulk supply. Measure original length, gage, and type of wire.

1. Install male connector on harness lead.
 - a. Strip insulation from lead (1) to uncover just enough wire to fill contact pin well.
 - b. Slide shell (2) and washer (3), if removed, over lead (1).

CAUTION

Crimping lower part of pin may damage pin and it will not hold lead. Crimp only middle part of contact pin with correct size die.

- c. Insert lead (1) into new pin (4) and crimp.
- d. If removed, place slotted washer (5) on lead (1) under pin (4) and pull shell (2) over washer (3) or (5) and pin.

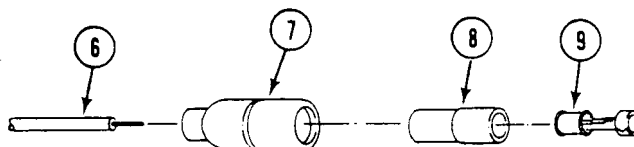


2. Install female connector on harness lead.
 - a. Strip insulation from lead (6) to uncover just enough wire to fill contact socket well.
 - b. Slide shell (7) and sleeve (8) over lead (6).

CAUTION

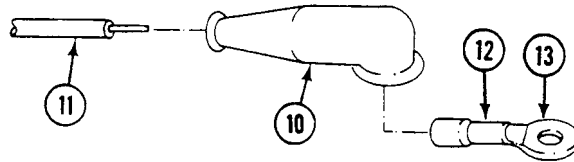
Crimping lower part of pin may damage pin and it will not hold lead. Crimp only middle part of contact pin with correct size die.

- c. Insert lead (6) in new socket (9) and crimp or solder.
- d. Slide sleeve (8) and shell (7) over socket (9).

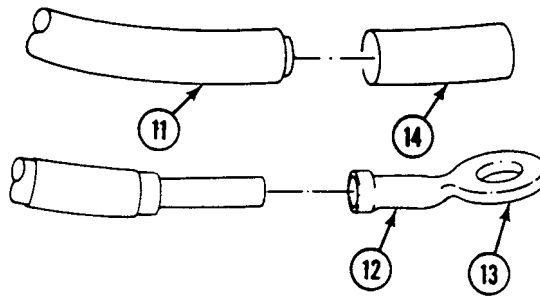


3. Install terminal connector on harness lead.

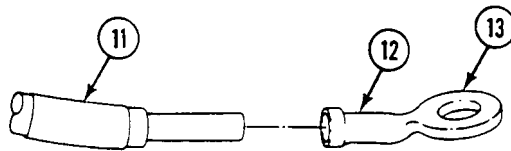
- a. If nipple (10) was removed from lead (11), strip insulation from lead to uncover just enough wire to fill barrel (12) of terminal (13). Slide nipple over lead.



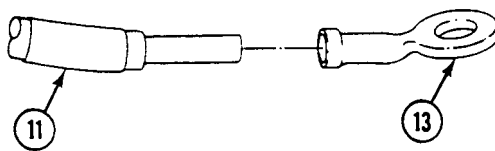
- b. If insulated sleeving (14) was removed from lead (11), slide new insulated sleeving on lead. Strip insulation from lead to same length as barrel (12) on terminal (13).



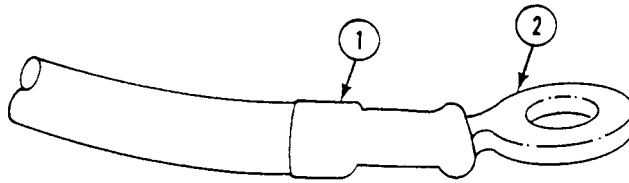
- c. If lead (11) is large diameter, fill barrel (12) on terminal (13) with solder and flux. Insert lead into melted solder in terminal barrel. Allow to cool.



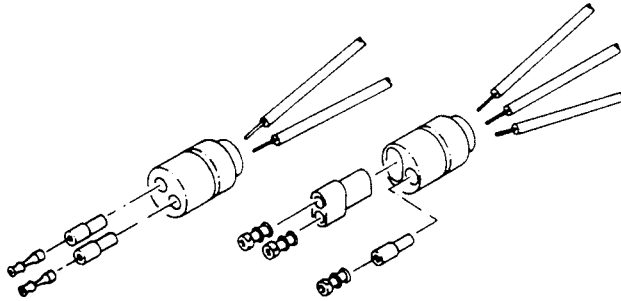
- d. If lead (11) is small diameter, position terminal (13) on lead. Crimp terminal on lead.



- e. Heat shrink those leads with insulated sleeving (1) on terminal (2).

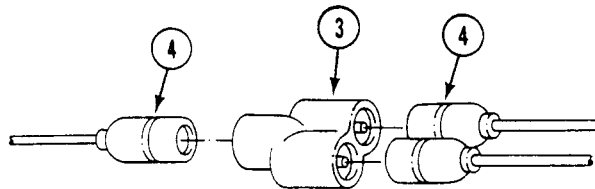


- 4. Install multiple connectors the same way as single connectors. See Step 1 and Step 2 above.



- 5. If removed, install Y-type adapters and dummy plugs.

- a. Install Y-type adapter (3) on harness leads (4).



- b. Install dummy plugs (5) in male or female connector (6).



FOLLOW-THROUGH STEPS

1. Connect battery ground strap (WP 0337 00), (WP 0338 00), or (WP 0339 00).
2. Turn MASTER SWITCH to ON (see your -10).
3. Check for proper wiring harness repair.
4. Turn MASTER SWITCH to OFF (see your -10).

END OF TASK

REPLACE VENTILATION FAN (M577A3 AND M1068A3 ONLY)

0383 00

THIS WORK PACKAGE COVERS:

Removal (page 0383 00-1).
 Installation (page 0383 00-3).

INITIAL SETUP:

Maintenance Level

Unit

References

See your -10

Tools and Special Tools

General Mechanic's Tool Kit (WP 0926 00, Item 65)

Equipment Condition

Engine stopped (see your -10)

Materials/Parts

Locknuts (6)

Carrier blocked (see your -10)

Locknuts (3)

Battery access cover removed (see your -10)

Personnel Required

Unit Mechanic

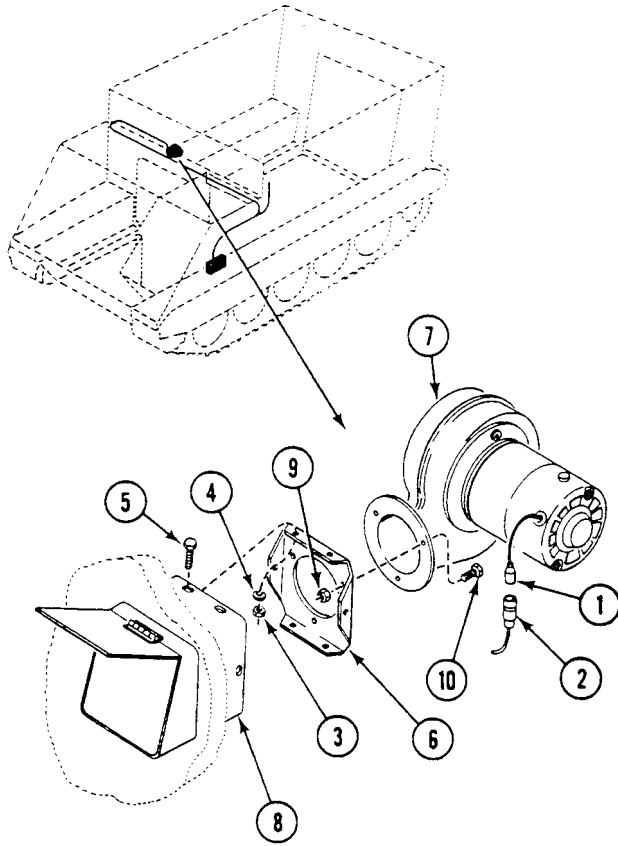
Battery ground lead disconnected (WP 0338 00)

Power plant rear access panel removed (see your -10)

REMOVAL

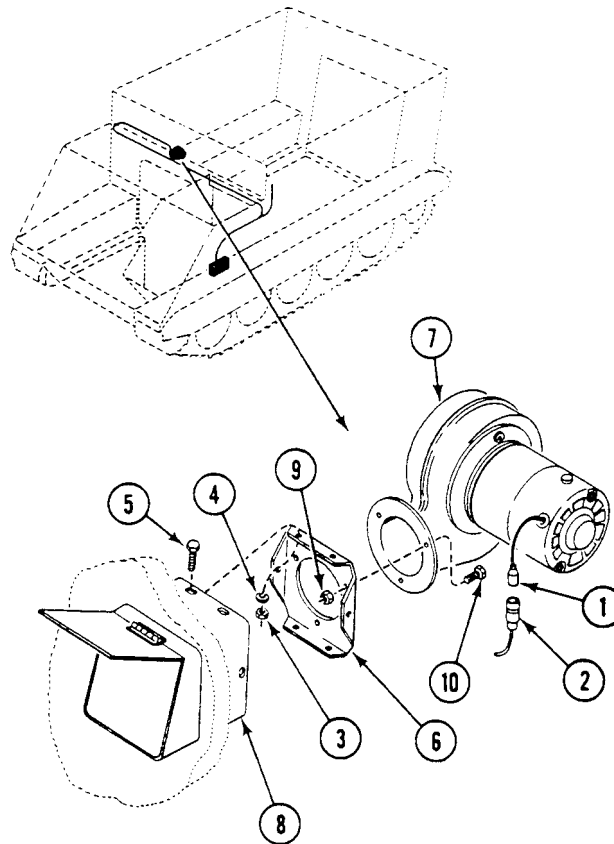
1. Disconnect blower lead (1) from circuit 59 lead (2).
2. Remove six locknuts (3), washers (4), screws (5), and adapter (6) with blower (7) attached, from flapper valve (8). Discard locknuts.

3. Remove three locknuts (9), screws (10), and adapter (6) from blower (7). Discard locknuts.



INSTALLATION

1. Install adapter (6) on blower (7). Secure with three screws (10) and new locknuts (9).
2. Install adapter (6) and blower (7) on flapper valve (8). Secure with six screws (5), washers (4), and new locknuts (3).
3. Connect circuit 59 lead (2) to blower lead (1).

**FOLLOW-THROUGH STEPS**

1. Connect battery ground lead (WP 0338 00).
2. Install battery access cover (see your -10).
3. Turn MASTER SWITCH and BLOWER switch ON to check that fan operates properly (see your -10).
4. Turn all switches OFF (see your -10).
5. Install power plant rear access panel (see your -10).

END OF TASK

CHAPTER 9

UNIT MAINTENANCE INSTRUCTIONS
FOR TRANSMISSION

WORK PACKAGE INDEX

<u>Title</u>	<u>Sequence No.</u>
REPLACE TRANSMISSION OIL DRAIN TUBES AND BRACKET.....	.0384 00
REPLACE TRANSMISSION MOUNTS.....	.0385 00
REPLACE TRANSMISSION RANGE CONTROLLER/BRACKET (USED WITH SOLENOID-ACTIVATED STEERING LOCK).....	.0386 00
REPLACE TRANSMISSION RANGE CONTROLLER/BRACKET (USED WITH CABLE-ACTIVATED STEERING LOCK).....	.0387 00
REPLACE TRANSMISSION RANGE CONTROLLER LAMP.....	.0388 00
REPLACE TRANSMISSION RANGE CONTROLLER SWITCH.....	.0389 00
ADJUST TOW START CONTROL CABLE ASSEMBLY.....	.039000
REPLACE TOW START CONTROL ASSEMBLY AND BEARING.....	.0391 00
REPLACE TOW START CONTROL ASSEMBLY COVER.....	.0392 00
ADJUST TRANSMISSION STEERING.....	.0393 00
ADJUST TRANSMISSION BRAKES.....	.0394 00
REPLACE TRANSMISSION OIL LEVEL DIPSTICK, FILLER TUBE, AND ADAPTER (X200-4 ONLY).....	.0395 00
REPLACE TRANSMISSION OIL LEVEL DIPSTICK, FILLER TUBE, AND ADAPTER (X200-4A ONLY).....	.0396 00
REPLACE GOVERNOR ASSEMBLY.....	.0397 00
REPLACE TRANSMISSION OIL AND OIL FILTER ELEMENT.....	.0398 00
REPLACE TRANSMISSION OIL COOLER HOSES, FITTINGS, AND MOUNTING.....	.0399 00
REPLACE TRANSMISSION OIL SAMPLING VALVE AND PRESSURE SWITCH.....	.0400 00
REPLACE DIFFERENTIAL PRESSURE SWITCH AND BYPASS PLUG.....	.0401 00

REPLACE TRANSMISSION OIL DRAIN TUBES AND BRACKET

0384 00

THIS WORK PACKAGE COVERS:

Removal (page 0384 00-1).
 Installation (page 0384 00-2).

INITIAL SETUP:

Maintenance Level

Unit

References

See your -10

Tools and Special Tools

General Mechanic's Tool Kit (WP 0926 00, Item 65)

Materials/Parts

Nonmetallic hose (WP 0928 00, Item 43)
 Locknut
 Lockwasher
 Preformed packing

Equipment Condition

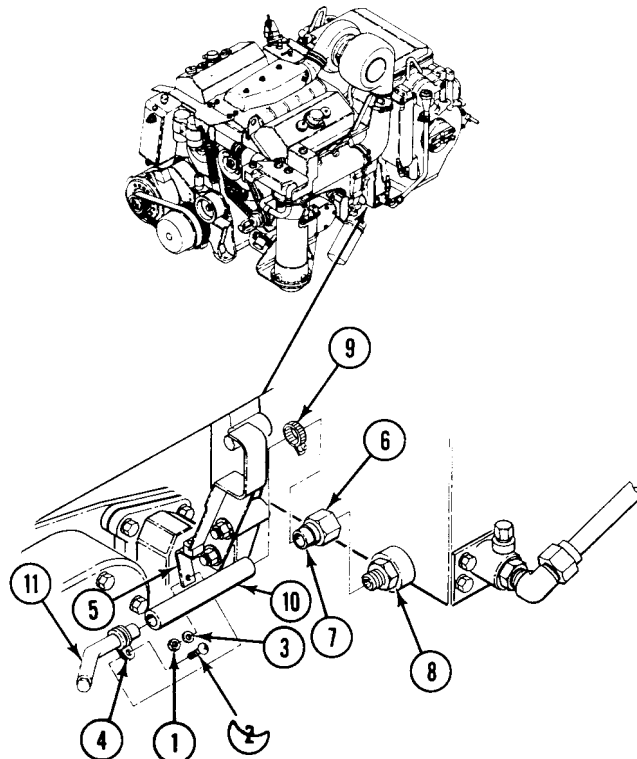
Engine stopped (see your -10)
 Carrier blocked (see your -10)
 Power plant removed (WP 0156 00)
 Transmission oil drained (WP 0398 00)

Personnel Required

Unit Mechanic

REMOVAL

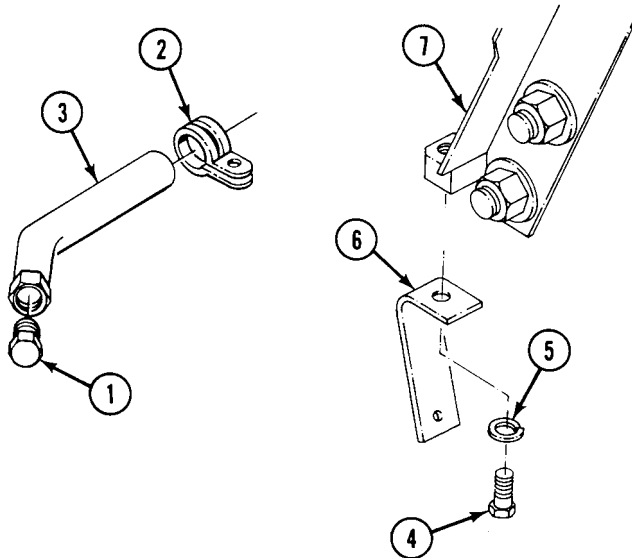
1. Remove locknut (1), screw (2), washer (3), and clamp (4) from bracket (5). Discard locknut.
2. Remove coupling nut (6) and oil drain tube (7) from adapter (8).
3. Remove two clamps (9) from hose (10). Remove hose from tubes (7) and (11). Discard hose.



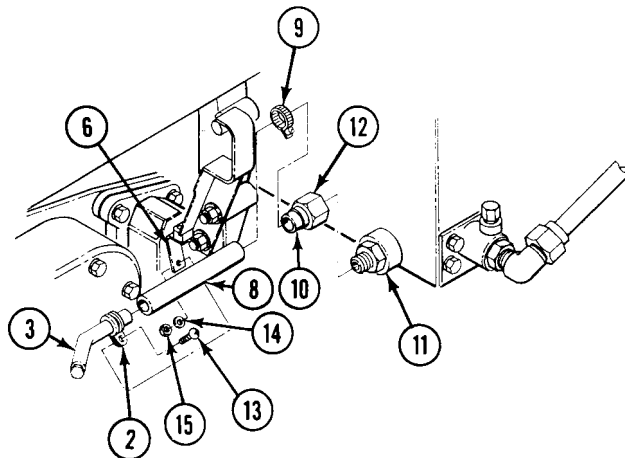
4. Remove drain plug (1) and clamp (2) from tube (3).
5. Remove screw (4), lockwasher (5), and bracket (6) from bracket (7). Discard lockwasher.

INSTALLATION

1. Install bracket (6) on bracket (7). Secure with new lockwasher (5), and screw (4).
2. Install drain plug (1) and clamp (2) on tube (3).



3. Cut 5-1/4 (13 cm) inch new hose (8) from rubber hosing. Install two clamps (9) on hose (8). Install hose on two tubes (3) and (10). Tighten clamps.
4. Install tube (10) on adapter (11). Tighten coupling nut (12).
5. Install clamp (2) on bracket (6). Secure with screw (13), washer (14), and new locknut (15).

**FOLLOW-THROUGH STEPS**

1. Fill transmission with oil (WP 0398 00).
2. Install power plant (WP 0156 00).

END OF TASK

REPLACE TRANSMISSION MOUNTS

0385 00

THIS WORK PACKAGE COVERS:

Removal (page 0385 00-1).
 Installation (page 0385 00-3).

INITIAL SETUP:

Maintenance Level

Unit

References

See your -10

Tools and Special Tools

General Mechanic's Tool Kit (WP 0926 00, Item 65)
 Torque Wrench (WP 0926 00, Item 85)

Equipment Condition

Engine stopped (see your -10)
 Carrier blocked (see your -10)
 Power plant grill raised (WP 0464 00)
 Power plant removed (WP 0156 00)

Personnel Required

Unit Mechanic

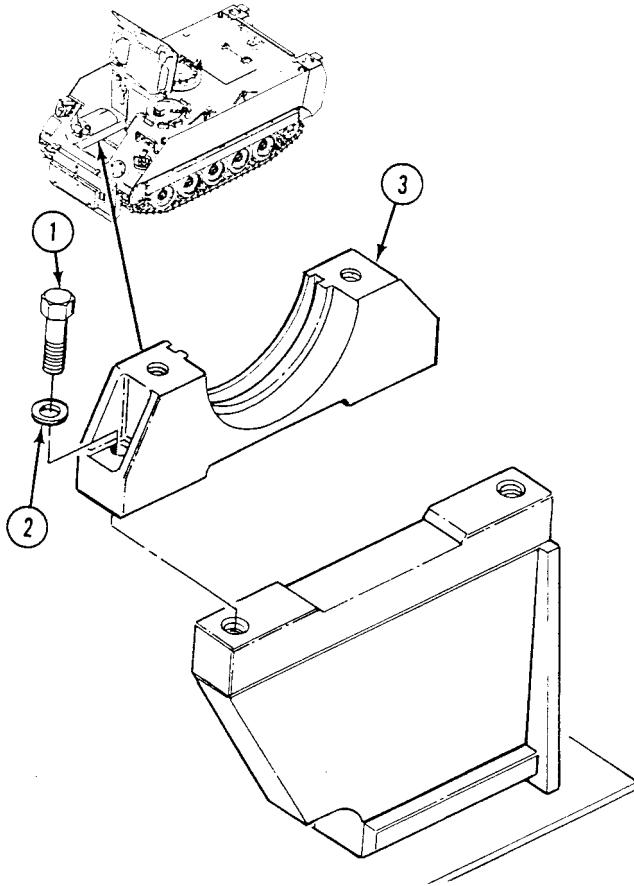
REMOVAL

NOTE

Both lower mounts are removed the same way.

1. Remove two screws (1) and washers (2) from lower mount (3) and carrier main frame.

2. Remove lower mount (3) from carrier main frame.



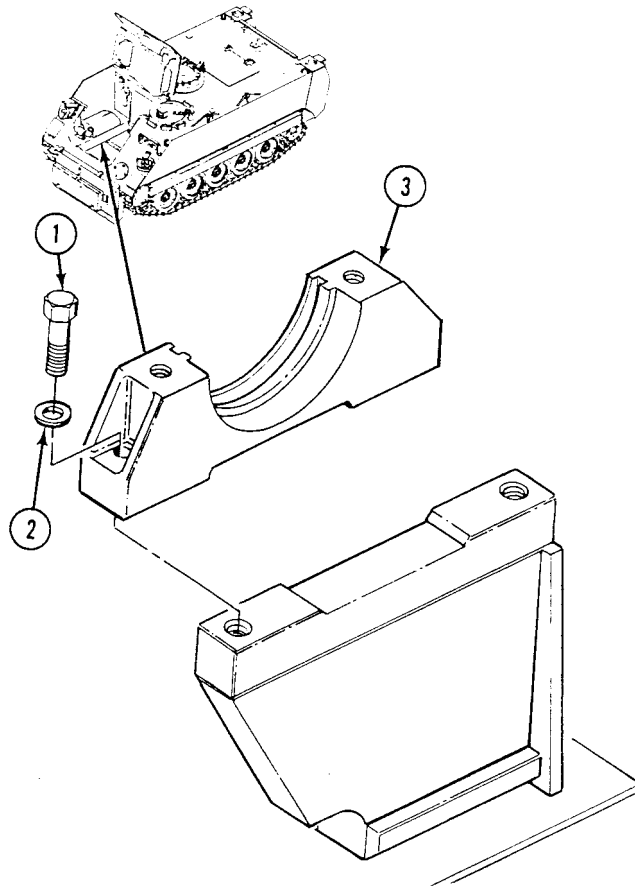
INSTALLATION

NOTE

Right transmission mount is grooved.

Upper and lower mounts are matched sets. Do not mix.

1. Install lower mount (3) on carrier main frame with two screws (1) and washers (2). TIGHTEN SCREWS TO 86-94 LB-FT (116-127 N·m) torque.



FOLLOW-THROUGH STEPS

1. Install power plant (WP 0156 00).
2. Lower power plant grill (WP 0464 00).

END OF TASK

REPLACE TRANSMISSION RANGE CONTROLLER/BRACKET (USED WITH SOLENOID-ACTIVATED STEERING LOCK) 0386 00

THIS WORK PACKAGE COVERS:

Removal (page 0386 00-1).
 Installation (page 0386 00-3).

INITIAL SETUP:

Maintenance Level

Unit

References

See your -10

Tools and Special Tools

General Mechanic's Tool Kit (WP 0926 00, Item 65)

Equipment Condition

Engine stopped (see your -10)

Materials/Parts

Lockwasher (8)

Locknut (3)

Carrier blocked (see your -10)

Personnel Required

Unit Mechanic

Drivers power plant access panel removed (see your -10)

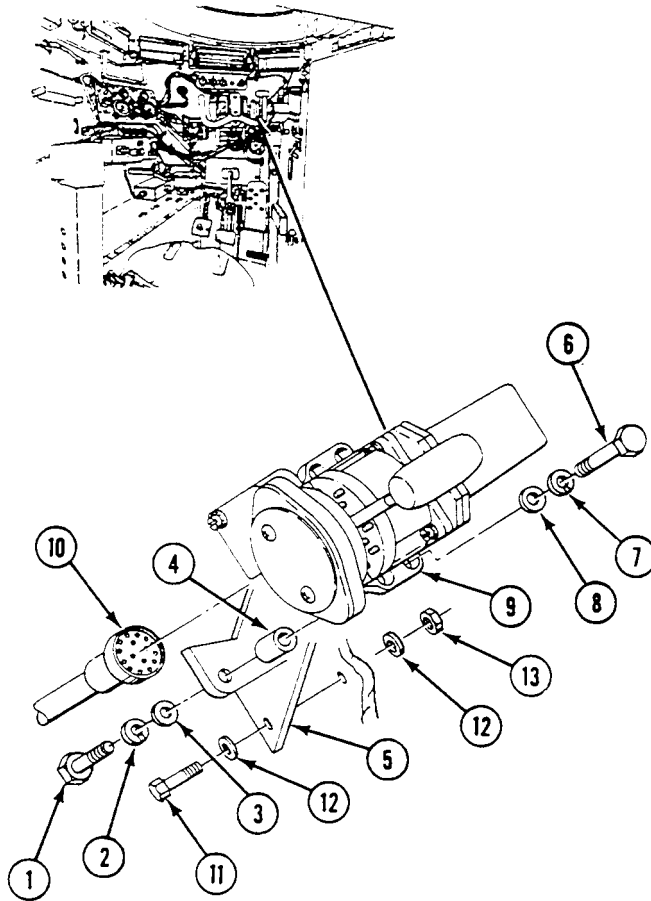
REMOVAL

1. Remove four screws (1), lockwashers (2), and washers (3) that secure mounts (4) to bracket (5). Discard lockwashers.

REPLACE TRANSMISSION RANGE CONTROLLER/BRAKET (USED WITH SOLENOID-ACTIVATED STEERING LOCK) — Continued

0386 00

2. Remove four screws (6), lockwashers (7), washers (8), and four mounts (4) from controller (9). Discard lockwashers.
3. Disconnect wiring harness (10) from controller (9).
4. Remove three screws (11), six washers (12), and three locknuts (13) that secure bracket (5) to bulkhead. Remove bracket. Discard locknuts.

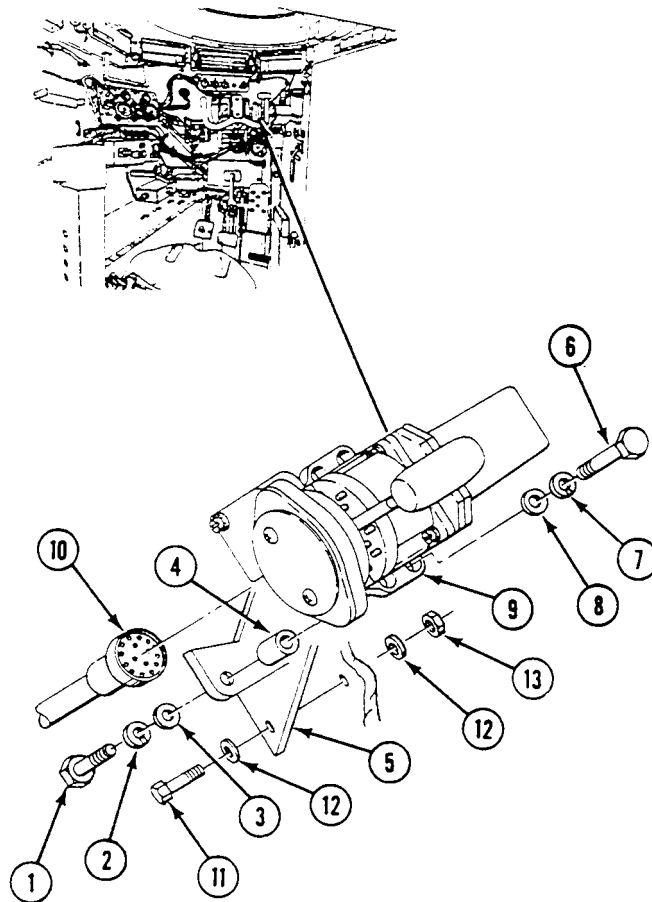


REPLACE TRANSMISSION RANGE CONTROLLER/BACKET (USED WITH SOLENOID-ACTIVATED STEERING LOCK) — Continued

0386 00

INSTALLATION

1. Connect wiring harness (10) to controller (9).
2. Install bracket (5) on bulkhead. Secure with three screws (11), six washers (12), and three new locknuts (13).
3. Install four mounts (4) on controller (9) and secure with four screws (6), new lockwashers (7), and washers (8).
4. Install controller (9) with four mounts (4) on bracket (5). Secure with four screws (1), new lockwashers (2), and washers (3).

**FOLLOW-THROUGH STEPS**

1. Install drivers power plant access panel (see your -10).

END OF TASK

**REPLACE TRANSMISSION RANGE CONTROLLER/BRACKET (USED WITH
CABLE-ACTIVATED STEERING LOCK)**

0387 00

THIS WORK PACKAGE COVERS:

Removal (page 0387 00-1).
Installation (page 0387 00-3).

INITIAL SETUP:

Maintenance Level

Unit

Personnel Required

Unit Mechanic

Tools and Special Tools

General Mechanic's Tool Kit (WP 0926 00, Item 65)

References

See your -10

Materials/Parts

Cotter pin
Locknut (3)
Lockwasher
Lockwasher (8)

Equipment Condition

Engine stopped (see your -10)
Carrier blocked (see your -10)
Driver's power plant access panel
removed (see your -10)

REMOVAL

1. Remove cotter pin (1), two washers (2), pin (3), and end of push-pull assembly (4) from controller arm (5). Discard cotter pin.

REPLACE TRANSMISSION RANGE CONTROLLER/BACKET (USED WITH CABLE-ACTIVATED STEERING LOCK) — Continued

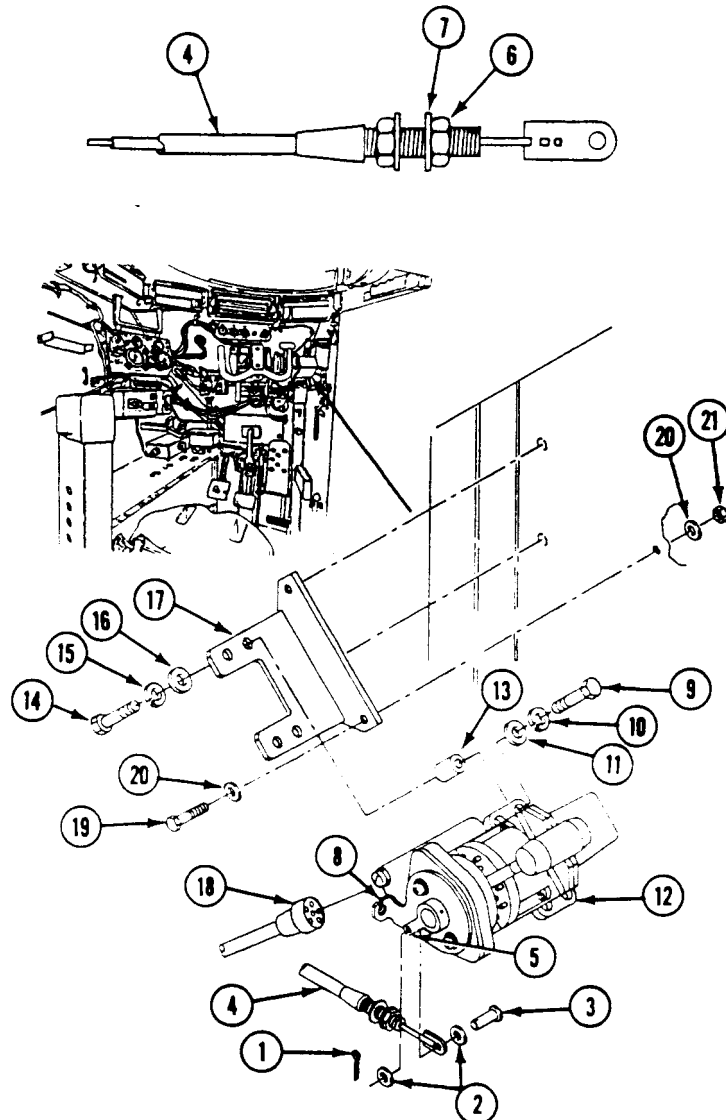
0387 00

2. Remove nut (6) and lockwasher (7) from end of push-pull assembly (4), and remove push-pull assembly from bracket (8). Reinstall nut (6) on push-pull assembly (4) for future use. Discard lockwasher.
3. Remove four screws (9), lockwashers (10), washers (11), and controller (12) from four mounts (13). Discard lockwashers.
4. Remove four screws (14), lockwashers (15), washers (16), and mounts (13) from bracket (17). Discard lockwashers.

NOTE

Install covers on disconnected electrical cable connectors and components during maintenance. Use tape, cloth, cardboard, or any appropriate material to prevent damage to components.

5. Disconnect wiring harness (18) from controller (12).
6. Remove three screws (19), six washers (20), three locknuts (21), and bracket (17) from bulkhead. Discard locknuts.



**REPLACE TRANSMISSION RANGE CONTROLLER/BACKET (USED WITH
CABLE-ACTIVATED STEERING LOCK) — Continued**

0387 00

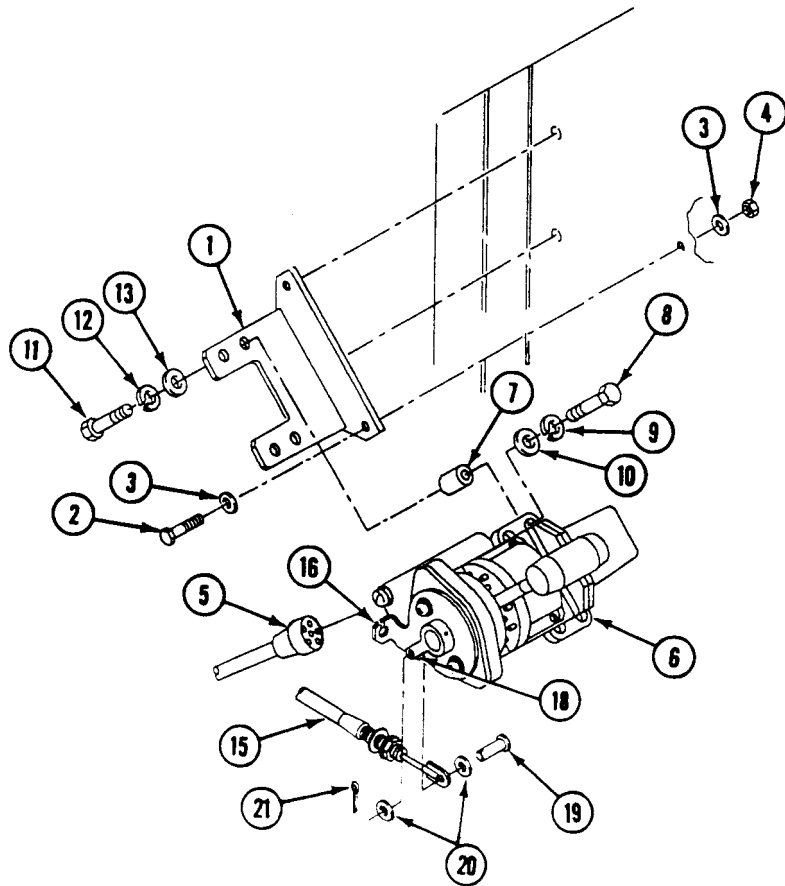
INSTALLATION

1. Install bracket (1) on bulkhead. Secure with three screws (2), six washers (3), and three new locknuts (4).
2. Connect wiring harness (5) to controller (6).
3. Install four mounts (7) on bracket (1). Secure with four screws (8), new lockwashers (9), and washers (10).
4. Install controller (6) on four mounts (7). Secure with four screws (11), new lockwashers (12), and washers (13).

NOTE

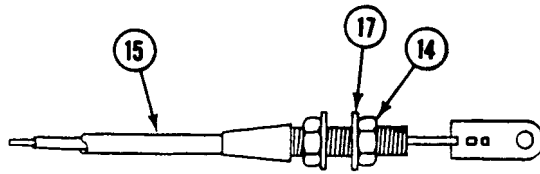
Do not tighten jamnuts until all parts to the cable and mechanical steering lock are fully assembled and adjusted.

5. Remove nut (14) from push-pull assembly (15) and insert end of push-pull assembly into hole in bracket (16). Secure with nut (14) and new lockwasher (17).
6. Secure end of push-pull assembly (15) to controller arm (18) with pin (19), two washers (20), and new cotter pin (21).



**REPLACE TRANSMISSION RANGE CONTROLLER/BRACKET (USED WITH
CABLE-ACTIVATED STEERING LOCK) — Continued**

0387 00

**FOLLOW-THROUGH STEPS**

1. Install driver's power plant access panel (see your -10).
2. Adjust cable-activated steering lock (WP 0429 00).

END OF TASK

REPLACE TRANSMISSION RANGE CONTROLLER LAMP

0388 00

THIS WORK PACKAGE COVERS:

Removal (page 0388 00-1).
 Installation (page 0388 00-2).

INITIAL SETUP:

Maintenance Level
 Unit

References
 See your -10

Tools and Special Tools
 General Mechanic's Tool Kit
 (WP 0926 00, Item n5180001777033)

Equipment Condition

Materials/Parts
 Preformed packing

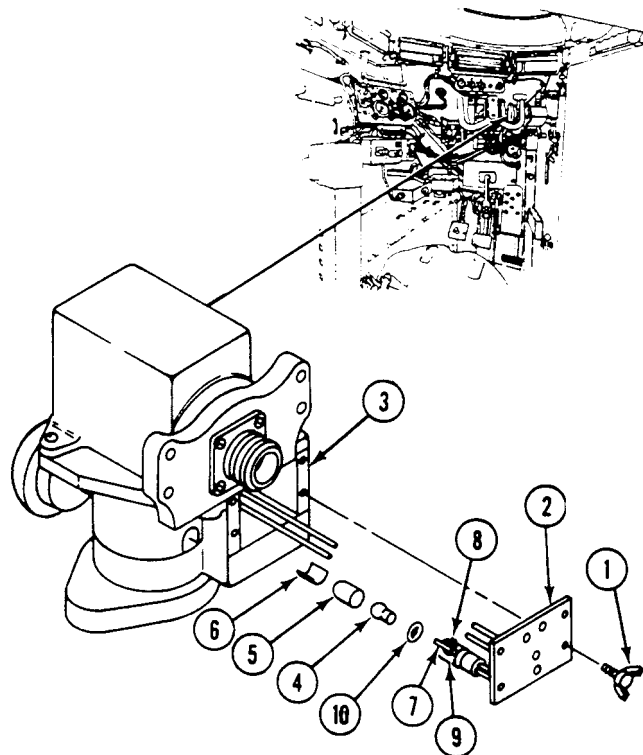
Engine stopped (see your -10)
 Carrier blocked (see your -10)

Personnel Required
 Unit Mechanic

Transmission range controller removed (WP 0386 00) or
 (WP 0387 00)

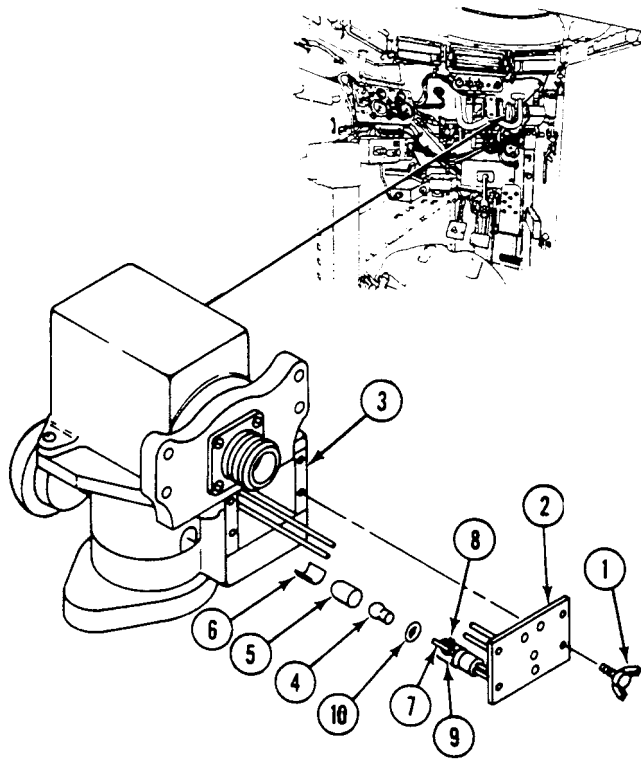
REMOVAL

1. Remove two wing screws (1) from cover (2) and back of range controller (3). Carefully pull cover away from range controller until lamp (4), filter (5), and shield (6) are accessible.
2. Loosen screw (7) and nut (8) until lamp (4), filter (5), and shield (6) can be removed from clamp (9). Remove filter, shield, and lamp.
3. Remove preformed packing (10) from lamp (4). Discard packing.



INSTALLATION

1. Install new preformed packing (10) on lamp (4).
2. Install lamp (4) into clamp (9).
3. Place filter (5) and shield (6) properly over lamp (4). Secure by tightening screw (7) and nut (8) on clamp (9).
4. Install cover (2) on range controller (3). Secure with two wing screws (1).

**FOLLOW-THROUGH STEPS**

1. Install transmission range controller (WP 0386 00) or (WP 0387 00).

END OF TASK

REPLACE TRANSMISSION RANGE CONTROLLER SWITCH

0389 00

THIS WORK PACKAGE COVERS:

- Removal (page 0389 00-1).
- Cleaning (page 0389 00-1).
- Installation (page 0389 00-2).

INITIAL SETUP:

Maintenance Level

Unit

References

See your -10

Tools and Special Tools

General Mechanic's Tool Kit (WP 0926 00, Item 65)

Equipment Condition

Engine stopped (see your -10)

Materials/Parts

Cleaning compound solvent (WP 0928 00, Item 19)

Sealing compound (WP 0928 00, Item 56)

Carrier blocked (see your -10)

Personnel Required

Unit Mechanic

Transmission range controller removed (WP 0386 00) or (WP 0387 00)

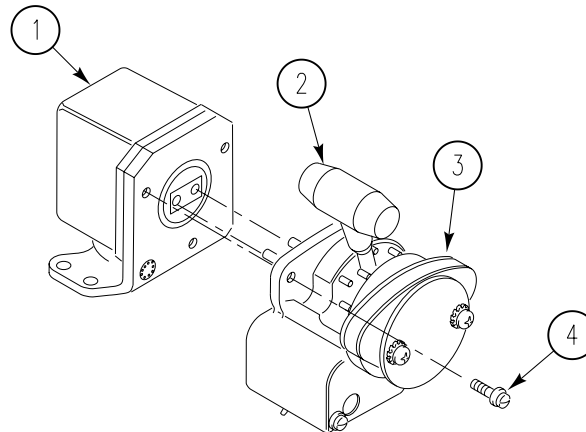
REMOVAL

1. Remove three slotted screws (4) securing switch (3) to transmission range controller body (1).

NOTE

Do not bend the switch bracket too much until it is clear of the transmission controller body.

2. Separate switch (3) from transmission range controller (1).



CLEANING

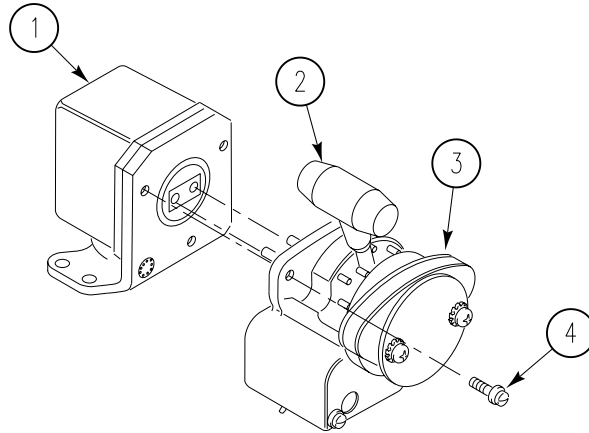
CAUTION

Handle the new switch with care to avoid damaging the wires or switch. A damaged transmission controller will prevent the engine from starting or shifting to the range needed.

1. Clean any corrosion to the inside of the transmission range controller body (1) where it contacts the slotted adapter on the switch (3).

INSTALLATION

1. Align the two pins on the transmission controller body (1) into the socket on the switch (3) and begin to insert.
2. Adjust the shift handle (2) on transmission controller body (1) to align the tab with the slot before closing the switch (3) and transmission controller body together.
3. Apply cleaning compound and sealing compound to threads of three slotted screws (4).
4. Install three slotted screws (4), but do not tighten until you are sure shifter (2) is moving the switch (3). Tighten screws .

**FOLLOW-THROUGH STEPS**

1. Install transmission range controller (WP 0386 00) or (WP 0387 00).

END OF TASK

ADJUST TOW START CONTROL CABLE ASSEMBLY

0390 00

THIS WORK PACKAGE COVERS:

Adjustment (page 0390 00-1).

INITIAL SETUP:

Maintenance Level

Unit

References

TM 9-2350-277-10

Tools and Special Tools

General Mechanic's Tool Kit (WP 0926 00, Item 65)

Equipment Condition

Engine stopped (TM 9-2350-277-10)

Carrier blocked (TM 9-2350-277-10)

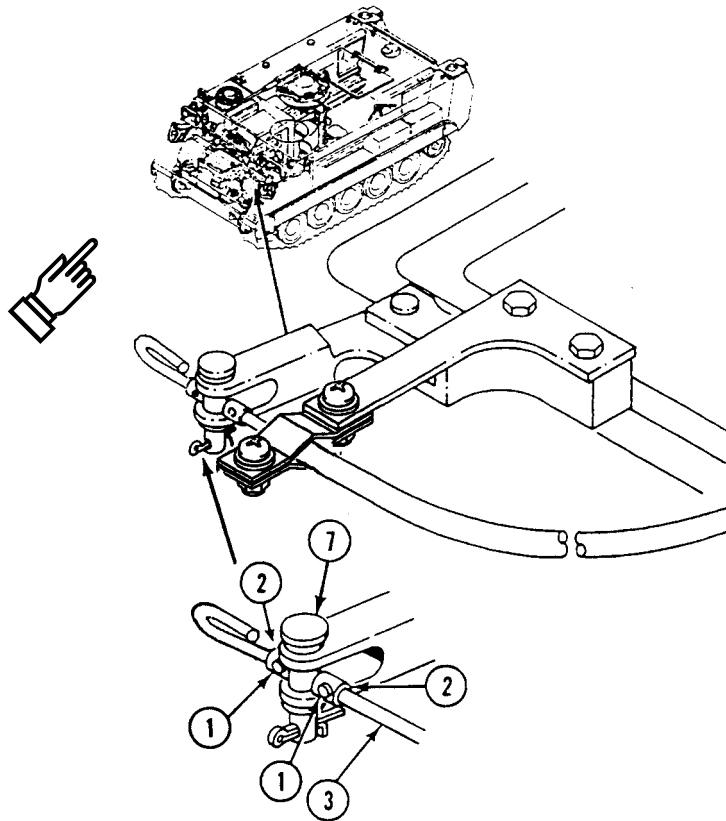
Power plant access door open (TM 9-2350-277-10)

Personnel Required

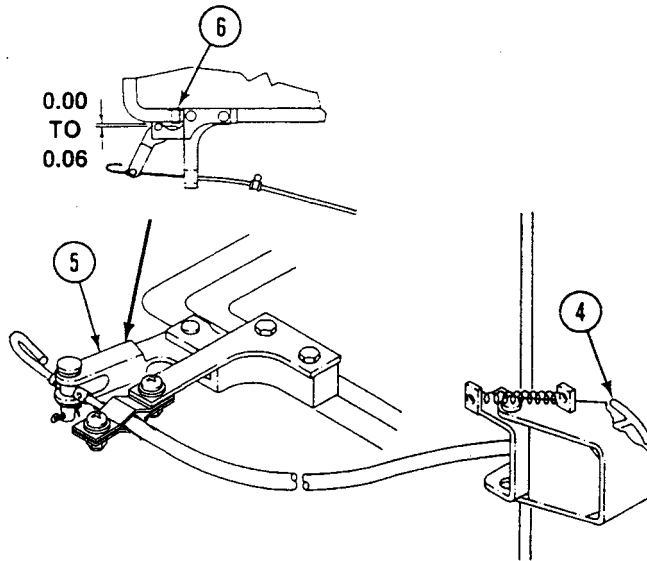
Mechanic

ADJUSTMENT

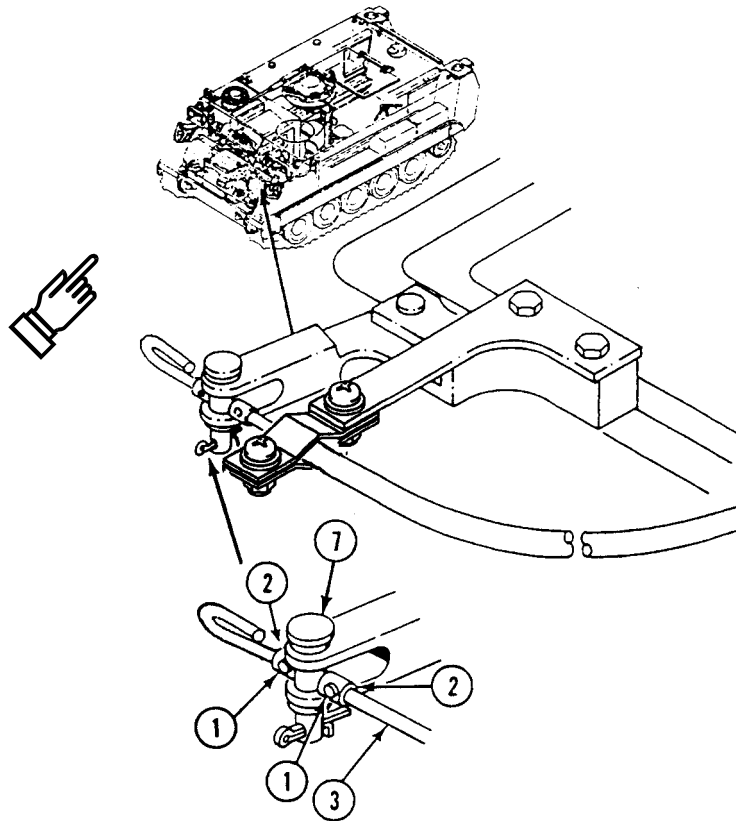
1. Loosen two setscrews (1) that secure two collars (2) on control cable (3).



2. Push control assembly handle (4) to full in position. Move control lever (5) to obtain 0.00 to 0.06 inch (0.00 to 1.5 mm) clearance between contact surface of lever and transmission tow start button (6).



3. Position two collars (2) against clevis pin (7) and tighten two setscrews (1).



FOLLOW-THROUGH STEPS

1. Close power plant access door. See TM 9-2350-277-10.

END OF TASK

REPLACE TOW START CONTROL ASSEMBLY AND BEARING

0391 00

THIS WORK PACKAGE COVERS:

Removal (page 0391 00-2).
 Installation (page 0391 00-5).

INITIAL SETUP:

Maintenance Level

Unit

Personnel Required

Mechanic

Tools and Special Tools

General Mechanic's Tool Kit (WP 0926 00, Item 65)
 Socket Wrench Set (WP 0926 00, Item 72)
 Torque Wrench (WP 0926 00, Item 82)

References

TM 9-2350-277-10

Equipment Condition

Engine stopped (TM 9-2350-277-10)
 Carrier blocked (TM 9-2350-277-10)
 Power plant access door open (TM 9-2350-277-10)

Materials/Parts

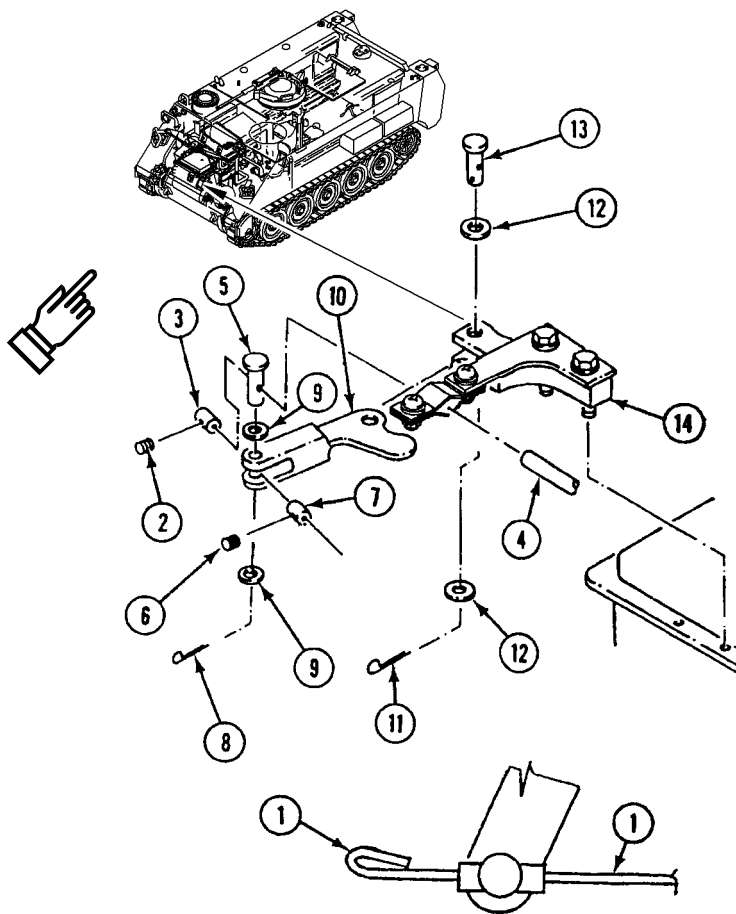
Cotter pin (2)
 Locknut

REMOVAL

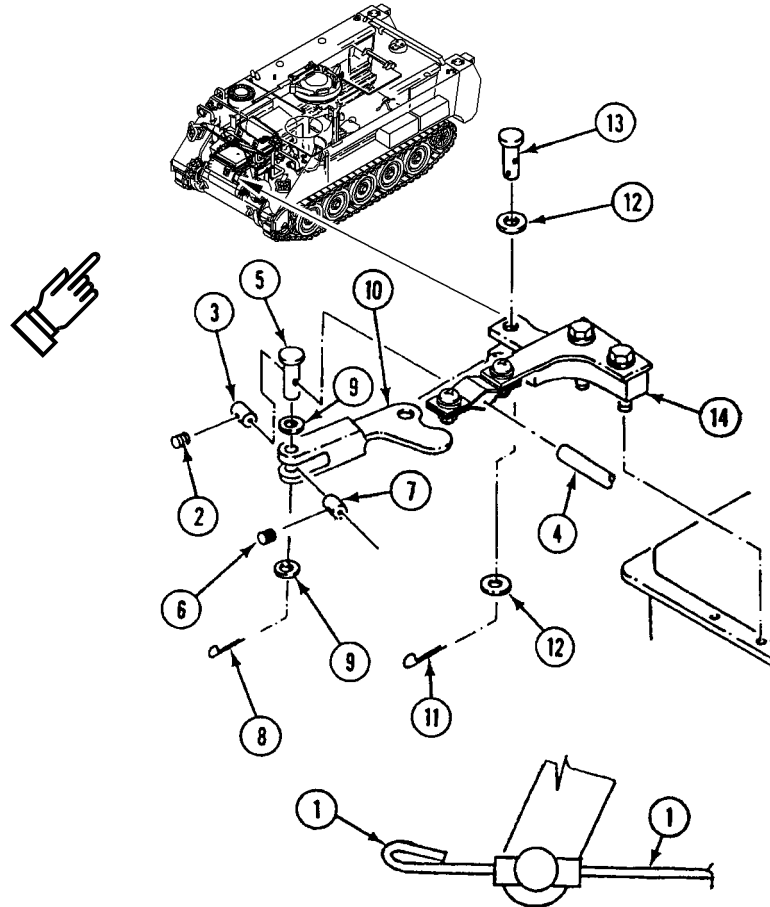
NOTE

Wire is doubled over itself as a safety measure. If there is nothing wrong or defective with cable assembly or control lever, **DO NOT** straighten or cut wire.

1. Straighten out wire (1) or cut off wire to allow it to be removed. If too much wire is removed, discard cable assembly after removal from bulkhead.
2. Loosen front setscrew (2) that secures front collar (3) to end of cable assembly (4). Pull cable out of clevis pin (5) and loosen rear setscrew (6) on rear collar (7). Remove front and rear collar from cable assembly.
3. Remove cotter pin (8) and two washers (9) that secure clevis pin (5) to control lever (10). Remove clevis pin from control lever. Discard cotter pin.



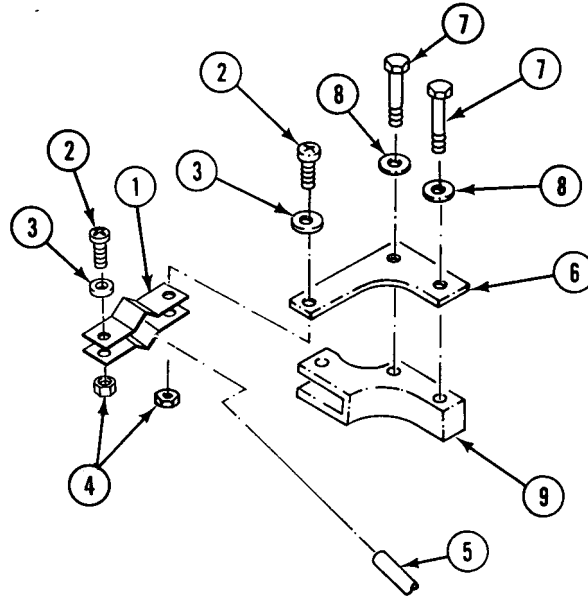
4. Remove cotter pin (11), two washers (12), and clevis pin (13) that secure control lever (10) to bearing (14). Remove control lever from bearing. Discard cotter pin.



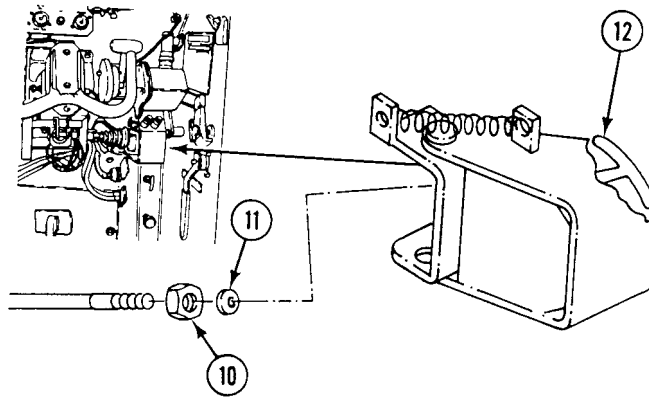
REPLACE TOW START CONTROL ASSEMBLY AND BEARING — Continued

0391 00

5. Remove two straps (1), screws (2), washers (3), and locknuts (4) that secure cable assembly (5) to cable bracket (6). Remove straps from cable. Discard locknuts.
6. Remove two screws (7) and washers (8) that secure cable bracket (6) and bearing (9) to top of transmission. Remove bracket and bearing from transmission.

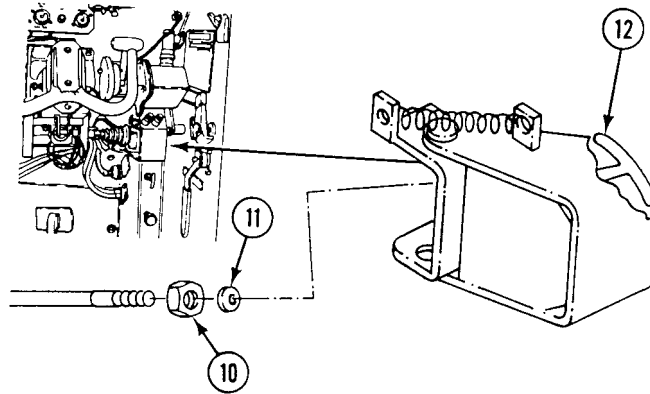


7. Remove jam nut (10) and washer (11) from lower end on threaded cable conduit that secures cable assembly (12) in engine compartment. Remove or discard cable assembly if wire is too short to be secured by collars and wire bent over itself.

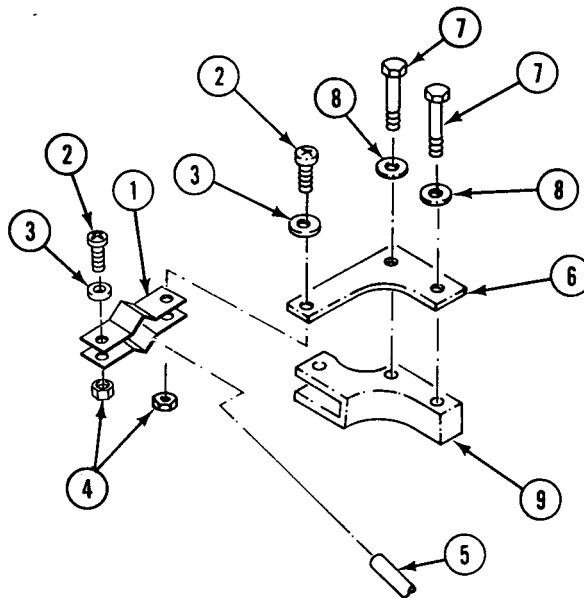


INSTALLATION

1. Route cable assembly (12) from driver's compartment through mounting hole in bulkhead.
2. Install jam nut (10) and washer (11) on threaded conduit end of control cable assembly (12). Tighten jam nut.



3. Install cable bracket (6) and bearing (9) on top of transmission. Secure with two screws (7) and washers (8). **TIGHTEN SCREWS TO 18-20 LB-FT (24-27 N-m) TORQUE.**
4. Place two cable straps (1) on conduit end of cable assembly (5). Install cable straps with cable assembly on bracket (6). Secure with two screws (2), washers (3), and new locknuts (4).



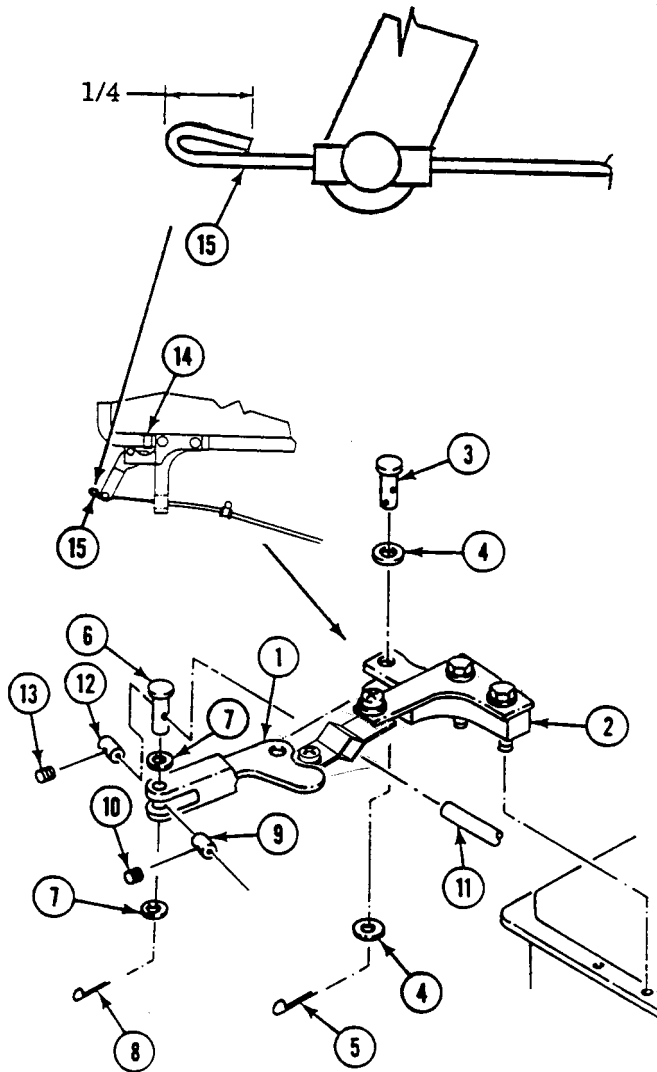
5. Install control lever (1) into bearing (2). Secure with clevis pin (3), two washers (4), and new cotter pin (5).
6. Install clevis pin (6) on control lever (1). Secure with two washers (7) and new cotter pin (8).
7. Install rear collar (9) with rear setscrew (10) onto cable end of cable assembly (11). Insert end of cable through mounting hole on clevis pin (6). Install front collar (12) with front setscrew (13) on cable assembly.
8. Push control handle to full in position. Move lever (1) until contact is made with surface of tow start button (14). Adjust tow start button (14).
9. Tighten setscrews (10) and (13).

WARNING



Sharp wire end can injure hands. Make sure wire is doubled over as a safety measure.

10. Double wire (15) over itself 1/4 inch (6 mm) minimum, as shown.



FOLLOW-THROUGH STEPS

1. Close power plant access door. See TM 9-2350-277-10.

END OF TASK

REPLACE TOW START CONTROL ASSEMBLY COVER

0392 00

THIS WORK PACKAGE COVERS:

Removal (page 0392 00-1).
 Installation (page 0392 00-2).

INITIAL SETUP:

Maintenance Level

Unit

Personnel Required

Unit Mechanic

Tools and Special Tools

General Mechanic's Tool Kit (WP 0926 00, Item 65)

References

See your -10

Materials/Parts

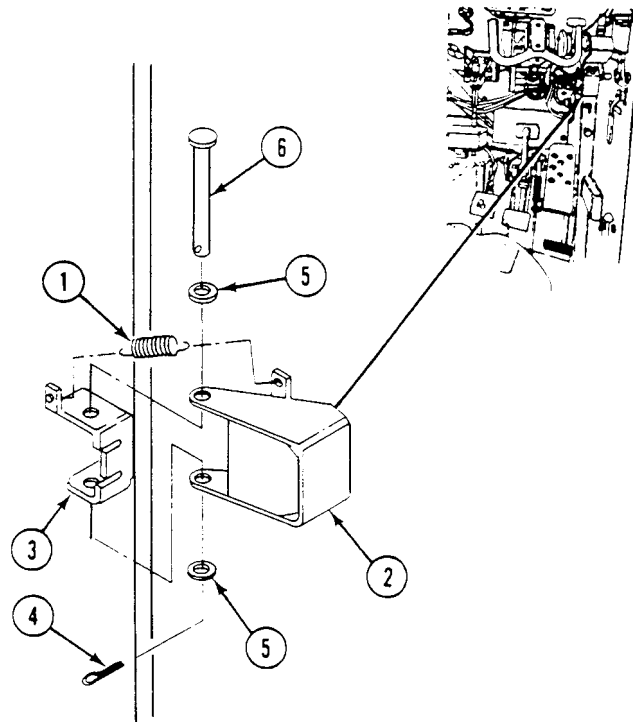
Cotter pin
 Cover
 Marker

Equipment Condition

Engine stopped (see your -10)
 Carrier blocked (see your -10)

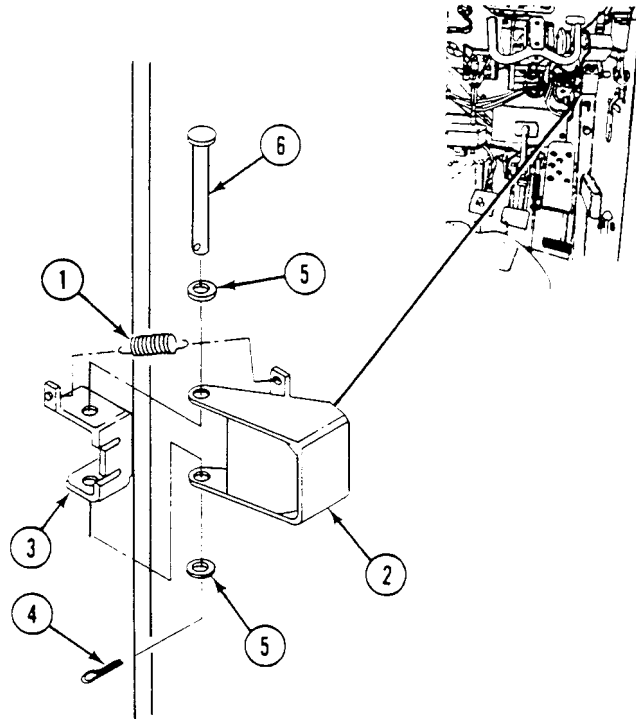
REMOVAL

1. Remove spring (1) from cover (2) and bulkhead welded bracket (3).
2. Remove cotter pin (4), two washers (5), pin (6), and control cover (2) from bulkhead welded bracket (3). Discard cotter pin.



INSTALLATION

1. Install new control cover (2) on bulkhead welded bracket (3) with pin (6), two washers (5), and new cotter pin (4).
2. Install spring (1) on cover (2) and bulkhead welded bracket (3).
3. Install new marker (WP 0654 00).

**END OF TASK**

ADJUST TRANSMISSION STEERING

0393 00

THIS WORK PACKAGE COVERS:

Check Adjustment (page 0393 00-1).
 Adjustment (page 0393 00-3).

INITIAL SETUP:

Maintenance Level
 Unit

References
 See your -10

Tools and Special Tools
 General Mechanic's Tool Kit (WP 0926 00, Item 65)
 Adjusting Sleeve (WP 0926 00, Item 7)
 Torque Wrench (WP 0926 00, Item 80)
 Torque Wrench (WP 0926 00, Item 85)

Equipment Condition
 Engine stopped (see your -10)
 Carrier blocked (see your -10)
 Driver's power plant access panel removed
 (see your -10)
 Air Intake elbow removed (WP 0173 00)
 Engine exhaust elbow removed (WP 0221 00)

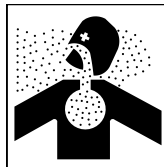
Materials/Parts
 Preformed packing

Personnel Required
 Unit Mechanic
 Helper (H) (2)

ADJUSTMENT

CHECK ADJUSTMENT

WARNING



Breathing carbon monoxide fumes from engine exhaust could kill you or injure you. Perform tests outdoors or in well ventilated area.

WARNING



Clear the area before checking adjustment. Carrier may pivot steer and injure personnel. Place transmission controller in SL before checking adjustment.

NOTE

See your -10 for all operating procedures.

1. (H) Place transmission controller in SL position. Start engine and allow to reach operating temperature.

2. (H) Release parking brake and let engine run at idle.
3. Watch both tracks. Have helper assist. If there is no track tension, adjustment is correct.

WARNING

If steering wheel is turned while engine is running at 1000 rpm or greater, the carrier will pivot and personnel could be killed or equipment damaged.

4. (H) Place transmission controller in PV position.
5. (H) Turn steering wheel left and right at idle speed.
6. Watch both tracks. Have helper assist. There will be some change in track tension, but carrier will not move.
7. (H) Place transmission controller in SL position.
8. (H) With steering wheel in center position, increase engine speed to 1,000 rpm.

NOTE

If there is any change in track tension or if there is any hydrostatic noise from the transmission at any engine speed, the steering unit needs adjustment.

9. Watch both tracks. Have helper assist. There must be no change in track tension or transmission sound.

WARNING

If steering wheel is turned while engine is running at 1000 rpm or greater, the carrier will pivot and personnel could be killed or equipment damaged.

10. (H) Slowly increase engine speed to 2,800 rpm.

NOTE

If there is any change in track tension or if there is any hydrostatic noise from the transmission at any engine speed, the steering unit needs adjustment.

11. Watch both tracks. Have helper assist. There must be no change in track tension or transmission sound.

ADJUSTMENT

WARNING

Stop engine before making adjustment (see your -10).

CAUTION

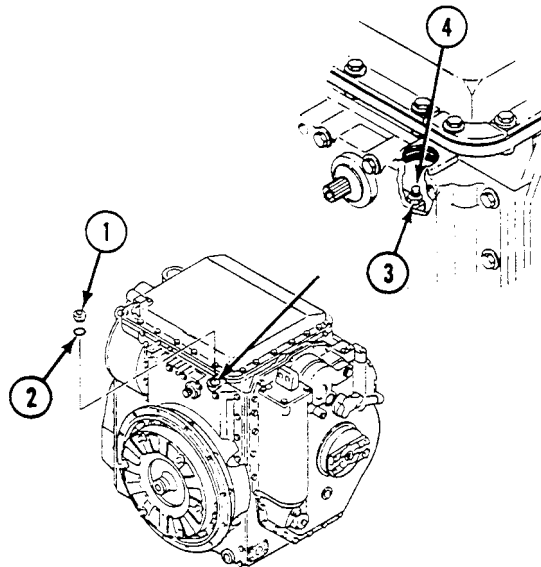
Care must be taken to keep tools from falling into transmission during adjustment procedures.

1. Remove access plug (1) and preformed packing (2) from steering centering adjustment on left rear of transmission. Discard packing.

NOTE

Be careful not to turn adjusting screw when loosening jam nut.

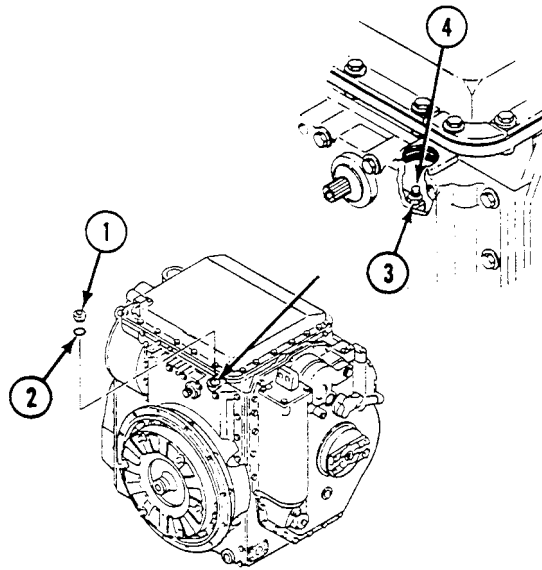
2. Loosen jam nut (3) on adjusting screw (4). Use adjusting sleeve.



NOTE

Be careful not to turn adjusting screw when tightening jam nut.

3. Turn adjusting screw (4) 1/8 turn at a time. Use adjusting sleeve. If right track had forward tension, turn adjusting screw to the right. If left track had forward tension, turn adjusting screw to the left.
4. TIGHTEN JAM NUT (3) TO 140-150 LB-IN. (16-18 N·m) TORQUE. USE ADJUSTING SLEEVE.
5. Install plug (1) finger tight and check adjustment by repeating Steps 1 - 11.
6. Repeat Steps 1 - 3 as needed until both tracks remain slack at all engine speeds.
7. Remove plug (1), and install new preformed packing (2) in plug.
8. Install plug (1) in transmission. TIGHTEN PLUG TO 50-60 LB-FT (68-81 N·m) TORQUE.

**FOLLOW-THROUGH STEPS**

1. Install engine exhaust elbow (WP 0221 00).
2. Install air intake elbow (WP 0173 00).
3. Install driver's power plant access panel (see your -10).

END OF TASK

ADJUST TRANSMISSION BRAKES

0394 00

THIS WORK PACKAGE COVERS:

- Adjust left-hand brake (page 0394 00-1).
- Adjust right-hand brake (page 0394 00-5).

INITIAL SETUP:

Maintenance Level

Unit

Personnel Required

Mechanic
Helper (H) (2)

Tools and Special Tools

- General Mechanics Tool Kit (WP 0926 00, Item 65)
- Splined Socket (WP 0926 00, Item 49)
- Socket Wrench Set (WP 0926 00, Item 72)
- Torque Wrench (WP 0926 00, Item 80)
- Torque Wrench (WP 0926 00, Item 85)

References

TM 9-2350-277-10

Equipment Condition

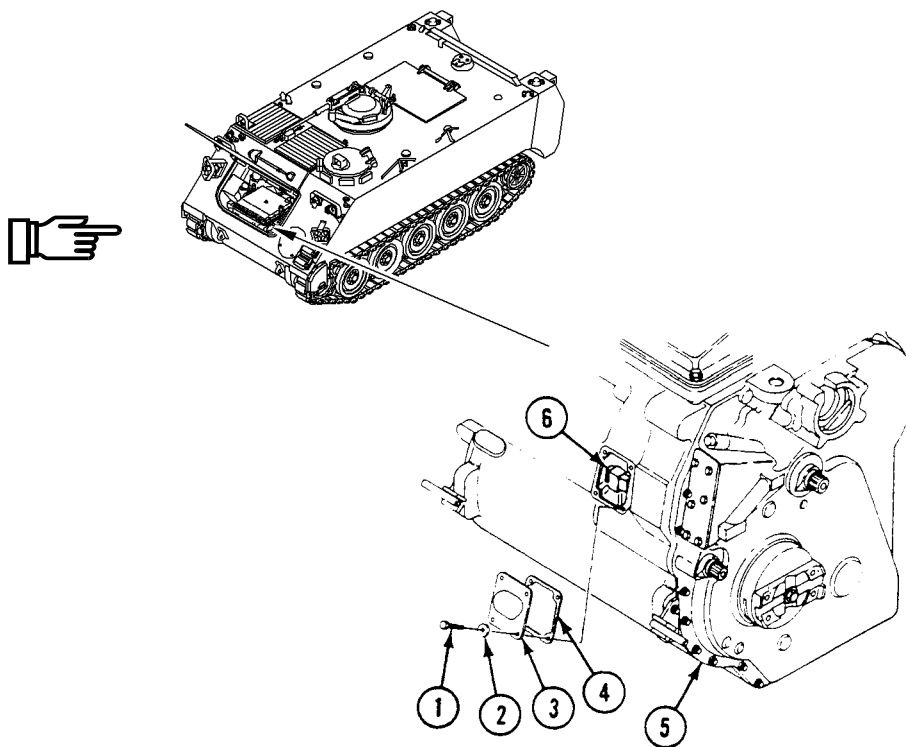
- Engine stopped (TM 9-2350-277-10)
- Carrier blocked (TM 9-2350-277-10)
- Power plant access door open (TM 9-2350-277-10)
- Hull front access cover removed (WP 0449 00)

Materials/Parts

- Sealing compound (WP 0928 00, Item 54)
- Gasket
- Gasket
- Self-locking screw (4)
- Self-locking screw (6)

ADJUST LEFT-HAND BRAKE

1. Remove four self-locking screws (1), washers (2), cover (3), and gasket (4) from transmission (5). Discard gasket and screws.
2. Remove governor assembly (6), turning clockwise to disengage gear teeth.

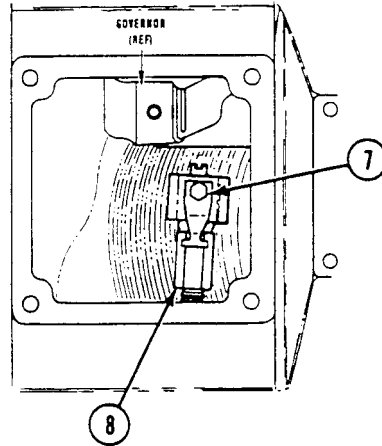


0394 00-1

CAUTION

Do not remove screw on adjusting link spring. Removal of screw may cause damage to equipment.

- Loosen screw (7) to release spring tension on brake adjusting link (8).

**NOTE**

If power plant is not in carrier or if linkage is not connected to transmission, do Step 4 to adjust left-hand brake.

If arm is not on transmission, use splined socket to apply torque to shaft.

Combination wrench turned to right (counterclockwise rotation of adjusting link) tightens brake. Combination wrench turned to left (clockwise rotation of adjusting link) loosens brake.

If indicator stopped before APPLY mark, brakes are too tight. If indicator stopped past mark, brakes need to be tightened. Brake adjusting link should be turned only 1/6 turn (60 degrees) at a time until proper brake adjustment is achieved.

- Apply 40 lb-ft (54 N·m) torque to shaft (1) or arm (2). Turn brake adjusting link (3) with an angle-head wrench until indicator (4) lines up opposite APPLY mark (5). Have helper assist.

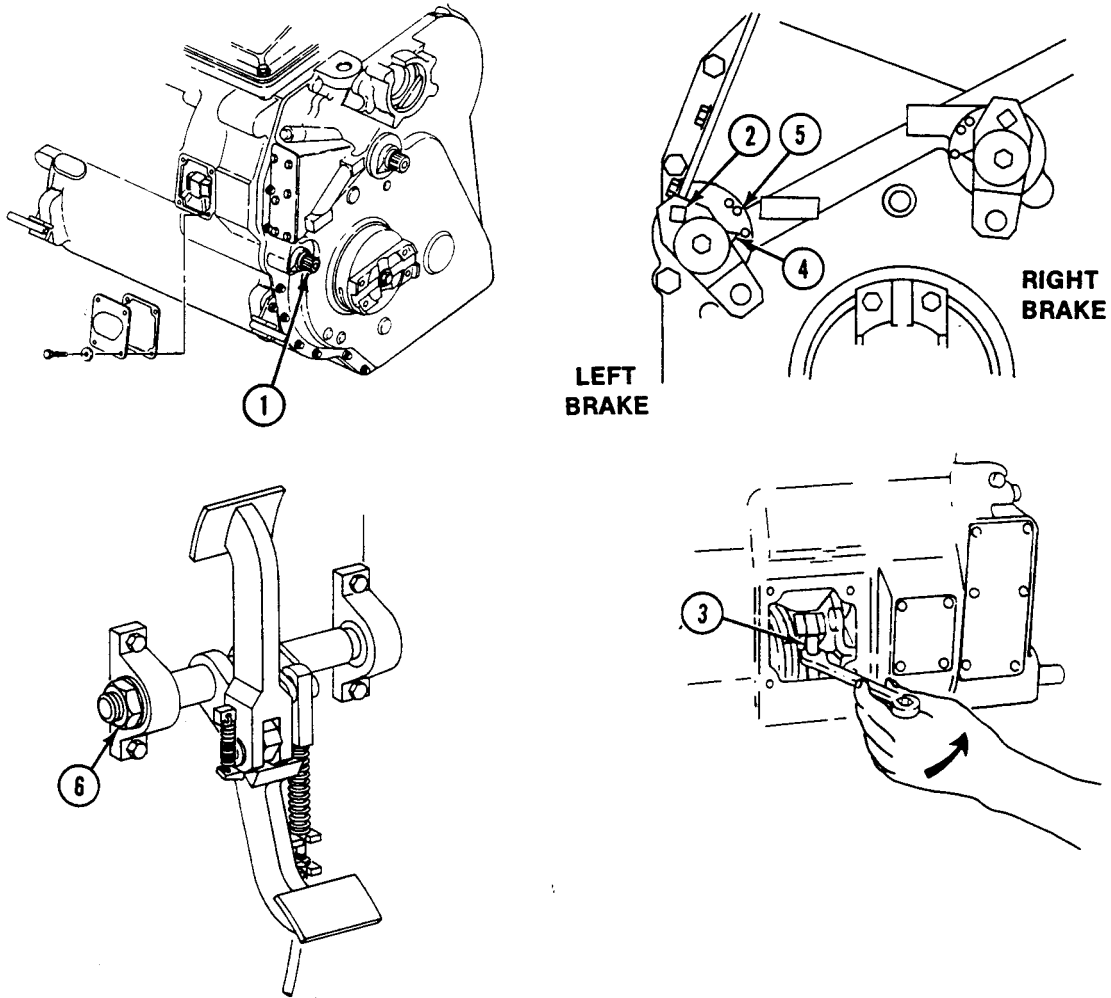
NOTE

If power plant is in carrier, do Step 5 to adjust left-hand brake.

- Apply 104 lb-ft (141 N·m) torque to brake shaft nut (6). Turn brake adjusting link (3) with an angle-head wrench until indicator (4) lines up opposite APPLY mark (5). Have helper assist.

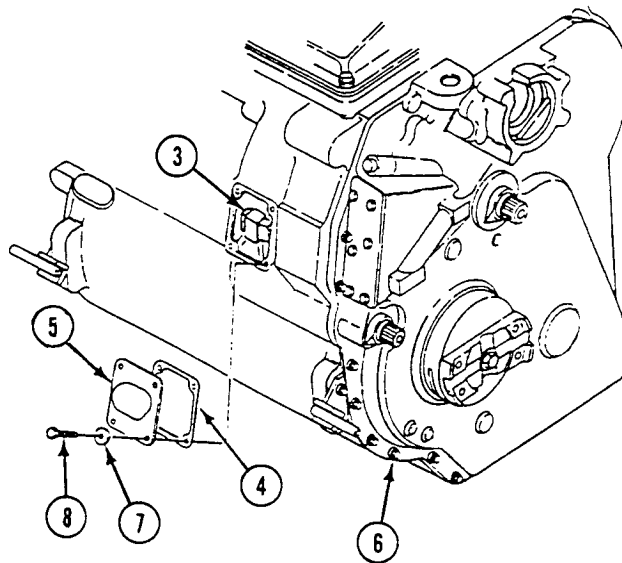
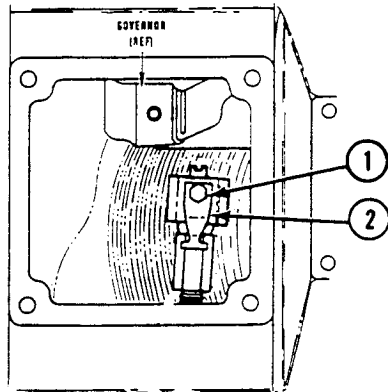
ADJUST TRANSMISSION BRAKES — Continued

6. Repeat Step 4 or Step 5 as needed until indicator (4) stops at APPLY mark (5) at specified torque.



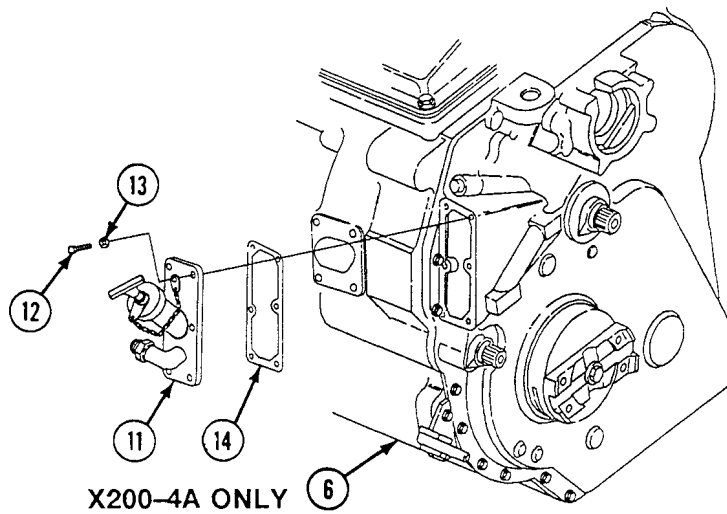
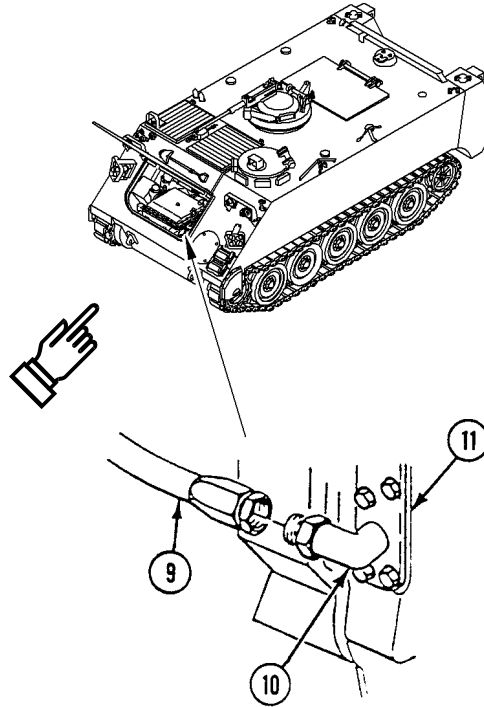
ADJUST TRANSMISSION BRAKES — Continued**0394 00**

7. Tighten screw (1) on adjusting link spring (2).
8. Install governor assembly (3), engaging gear counterclockwise.
9. Install new gasket (4) and cover (5) on transmission (6). Secure with four washers (7) and new self-locking bolts (8).
TORQUE BOLTS TO 204-240 LB-IN (23-27 N·m). Use torque wrench.



ADJUST RIGHT-HAND BRAKE

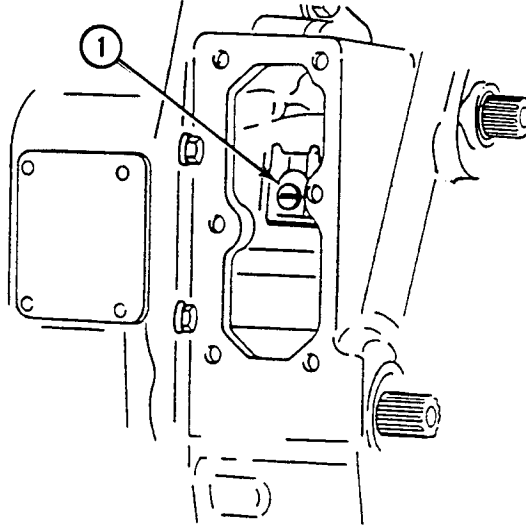
1. Disconnect oil return hose (9) from elbow (10) on transmission end cover (11). Plug hose.
2. Remove six self-locking bolts (12), washers (13), cover (11), and gasket (14) from transmission (6). Discard gasket and bolts.



NOTE

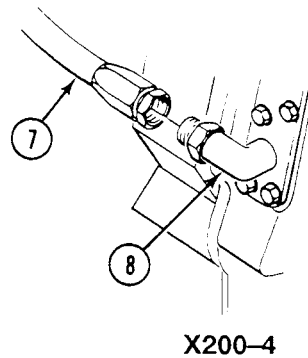
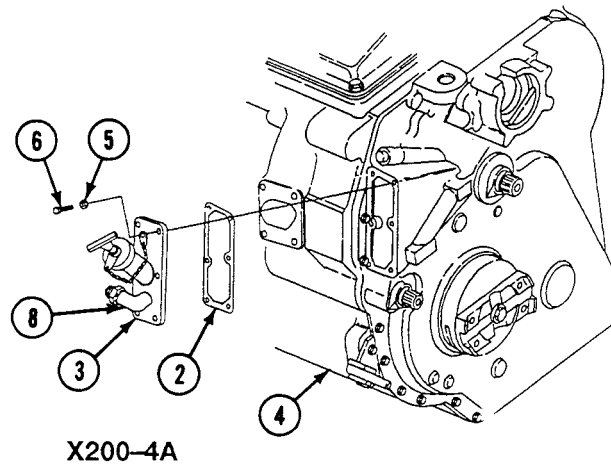
If indicator stopped before APPLY mark, brakes are too tight. If indicator stopped past mark, brakes need to be tightened. Brake adjusting link should be turned only 1/6 turn (60 degrees) at a time until proper brake adjustment is achieved.

3. Turn brake adjustment screw (1) inside transmission to adjust brakes. If indicator passed APPLY mark, turn to the left and tighten. If indicator did not reach APPLY mark, turn to the right and loosen.



ADJUST TRANSMISSION BRAKES — Continued**0394 00**

4. Check transmission brake adjustment (WP 0406 00).
5. Repeat Steps 3 - 4 as needed until indicator stops at APPLY mark at specified torque.
6. Install new gasket (2) and cover (3) on transmission (4). Secure with six washers (5) and self-locking bolts (6).
7. Connect hose (7) to elbow (8).

**FOLLOW-THROUGH STEPS**

1. Install power plant (if removed) (WP 0156 00).
2. Close power plant access door. See TM 9-2350-277-10.
3. Install hull front access cover panel (WP 0449 00).

END OF TASK

REPLACE TRANSMISSION OIL LEVEL DIPSTICK, FILLER TUBE, AND ADAPTER (X200-4 ONLY)

0395 00

THIS WORK PACKAGE COVERS:

Removal (page 0395 00-1).
 Installation (page 0395 00-3).

INITIAL SETUP:

Maintenance Level

Unit

Personnel Required

Unit Mechanic

Tools and Special Tools

General Mechanic's Tool Kit (WP 0926 00, Item 65)
 Socket Wrench Attachment (WP 0926 00, Item 52)
 Torque Wrench (WP 0926 00, Item 81)

References

See your -10

Materials/Parts

Gasket
 Lockwasher
 Preformed packing

Equipment Condition

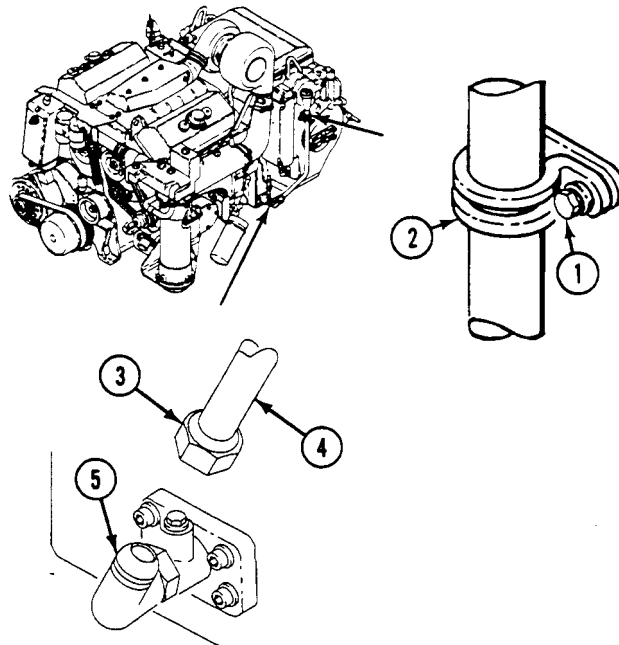
Engine stopped (see your -10)
 Carrier blocked (see your -10)
 Power plant removed (WP 0156 00)
 Transmission oil drained (WP 0398 00)

REMOVAL

NOTE

Transmission must be drained before starting task.

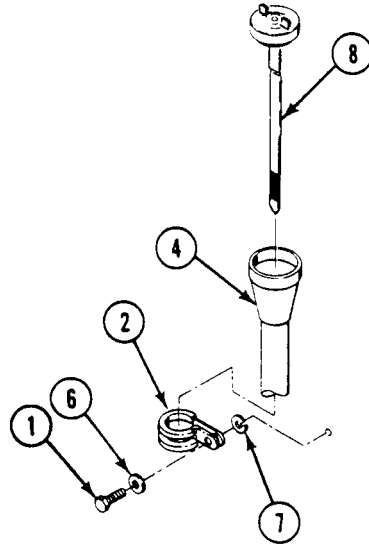
1. Loosen screw (1) on clamp (2). Do not remove screw.
2. Remove coupling nut (3) and filler tube (4) from elbow (5).



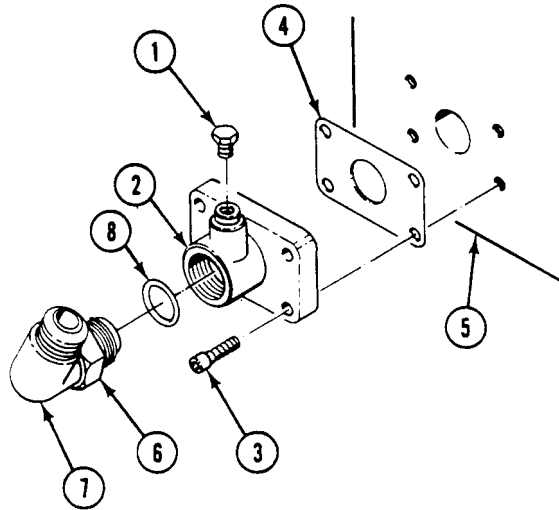
**REPLACE TRANSMISSION OIL LEVEL DIPSTICK, FILLER TUBE, AND ADAPTER
(X200-4 ONLY) — Continued**

0395 00

3. Remove screw (1), washer (6), lockwasher (7), clamp (2), and filler tube (4) from engine compartment. Discard lockwasher. Remove dipstick (8) from tube.



4. Remove plug (1) from transmission adapter (2).
5. Remove four screws (3), adapter (2), and gasket (4) from transmission (5). Discard gasket.
6. Loosen jam nut (6) on elbow (7). Remove elbow and preformed packing (8) from adapter (2). Discard preformed packing.

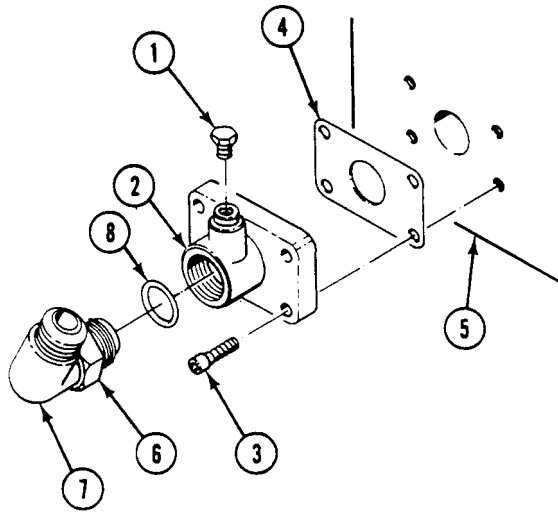


REPLACE TRANSMISSION OIL LEVEL DIPSTICK, FILLER TUBE, AND ADAPTER
(X200-4 ONLY) — Continued

0395 00

INSTALLATION

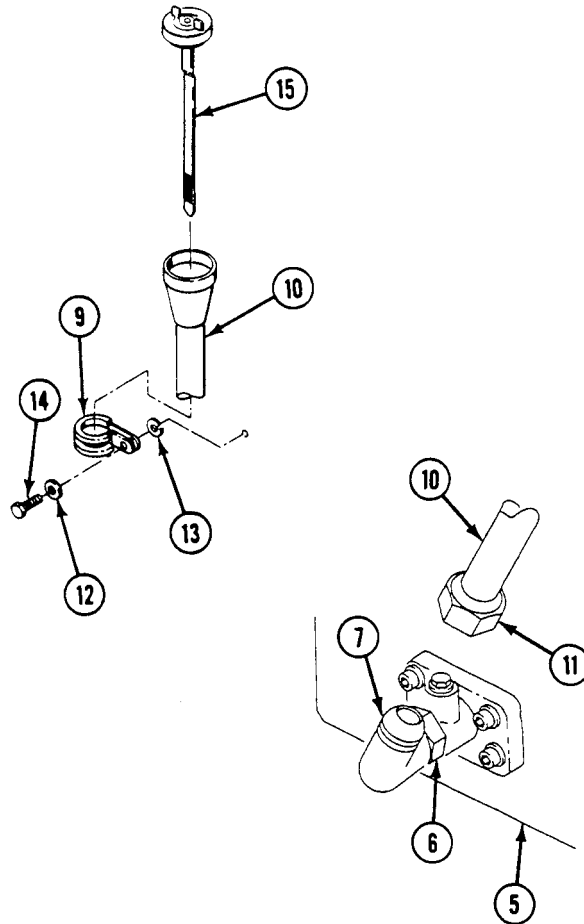
1. Install new preformed packing (8) on elbow (7). Install elbow on adapter (2) and thread jam nut (6). Do not tighten jam nut.
2. Install new gasket (4) and adapter (2) on transmission (5). Secure with four screws (3). **TIGHTEN SCREWS TO 20-25 LB-FT (27-34 N·m) TORQUE.**
3. Install plug (1) on adapter (2).



**REPLACE TRANSMISSION OIL LEVEL DIPSTICK, FILLER TUBE, AND ADAPTER
(X200-4 ONLY) — Continued**

0395 00

- Slide clamp (9) on filler tube (10). Position tube on elbow (7) and thread coupling nut (11). Do not tighten nut. Secure clamp to transmission (5) with washer (12), new lockwasher (13), and screw (14).
- Tighten jam nut (6). Tighten coupling nut (11).
- Install dipstick (15) in filler tube (10).

**FOLLOW-THROUGH STEPS**

- Fill transmission with oil (WP 0398 00).
- Install power plant (WP 0156 00).

END OF TASK

**REPLACE TRANSMISSION OIL LEVEL DIPSTICK, FILLER TUBE, AND
ADAPTER (X200-4A ONLY)**

0396 00

THIS WORK PACKAGE COVERS:

Removal (page 0396 00-1).
Installation (page 0396 00-4).

INITIAL SETUP:

Maintenance Level

Unit

Personnel Required

Unit Mechanic

Tools and Special Tools

General Mechanic's Tool Kit (WP 0926 00, Item 65)
Socket Wrench Attachment (WP 0926 00, Item 52)
Torque Wrench (WP 0926 00, Item 81)

References

See your -10

Materials/Parts

Gasket
Lockwasher
Preformed packing

Equipment Condition

Engine stopped (see your -10)
Carrier blocked (see your -10)
Power plant removed (WP 0156 00)
Transmission oil drained (WP 0398 00)

REMOVAL

NOTE

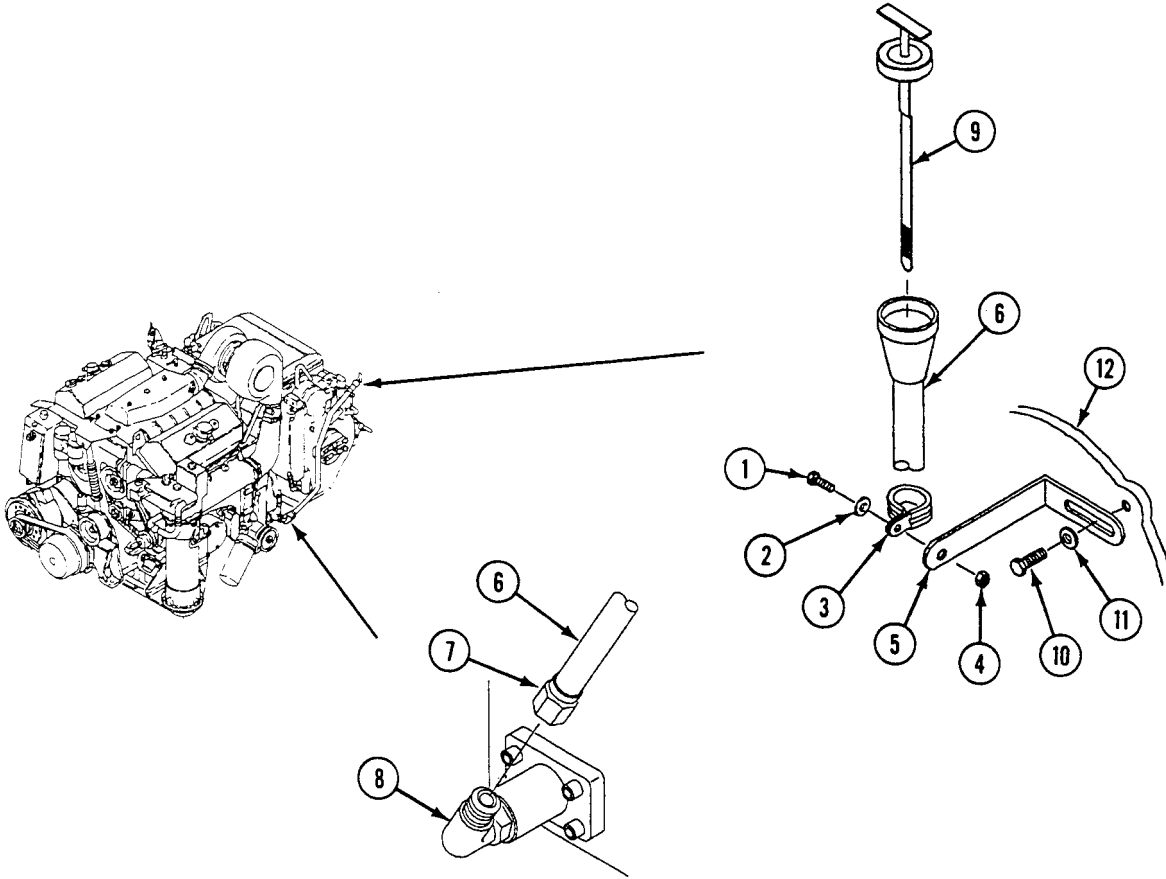
Transmission must be drained before starting task.

1. Remove screw (1), washer (2), clamp (3), and nut (4) from bracket (5). Remove clamp from tube (6).

**REPLACE TRANSMISSION OIL LEVEL DIPSTICK, FILLER TUBE, AND ADAPTER
(X200-4A ONLY) — Continued**

0396 00

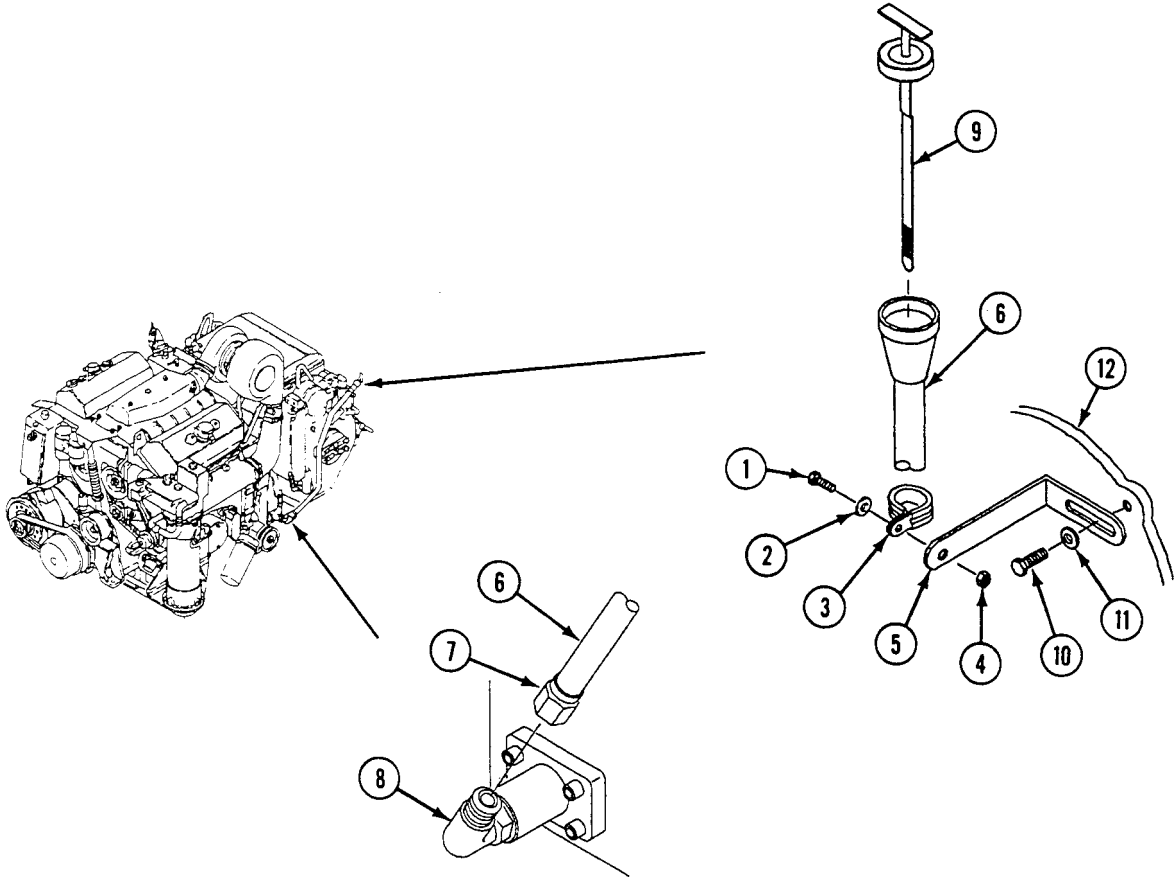
2. Loosen coupling nut (7) and remove tube (6) from elbow (8). Remove dipstick (9) from tube.



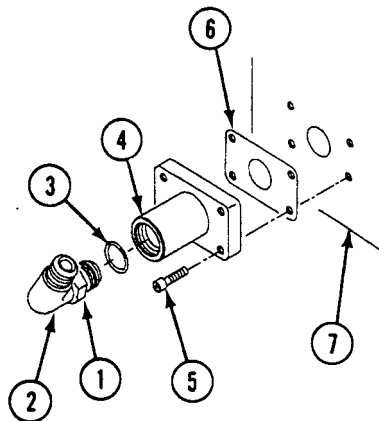
**REPLACE TRANSMISSION OIL LEVEL DIPSTICK, FILLER TUBE, AND ADAPTER
(X200-4A ONLY) — Continued**

0396 00

3. Remove screw (10), washer (11), and bracket (5) from transmission end cover (12).



4. Loosen jam nut (1) on elbow (2). Remove elbow and preformed packing (3) from adapter (4). Discard preformed packing.
5. Remove four screws (5), adapter (4), and gasket (6) from transmission (7). Discard gasket.

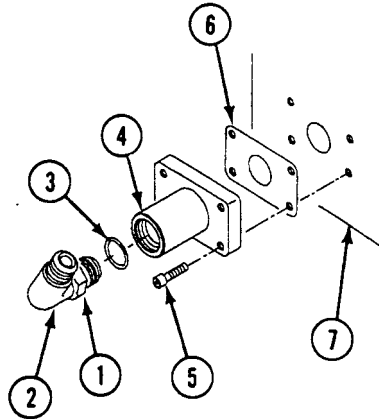


**REPLACE TRANSMISSION OIL LEVEL DIPSTICK, FILLER TUBE, AND ADAPTER
(X200-4A ONLY) — Continued**

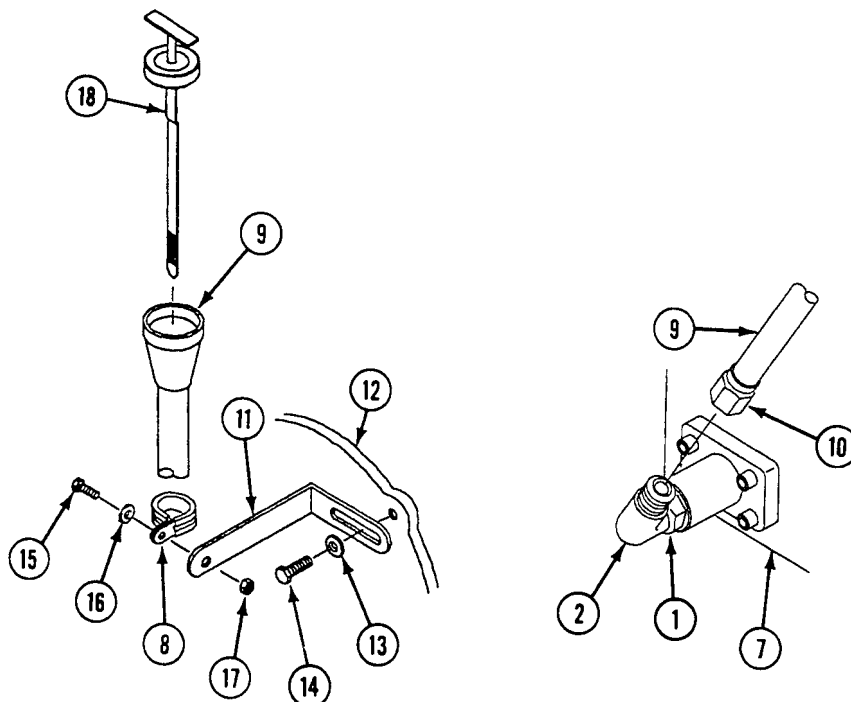
0396 00

INSTALLATION

1. Install new gasket (6) and adapter (4) on transmission (7). Secure with four screws (5). **TIGHTEN SCREWS TO 20-25 LB-FT (27-34 N·m) TORQUE.**
2. Install new preformed packing (3) and elbow (2) on adapter (4) and thread jam nut (1). Do not tighten nut.



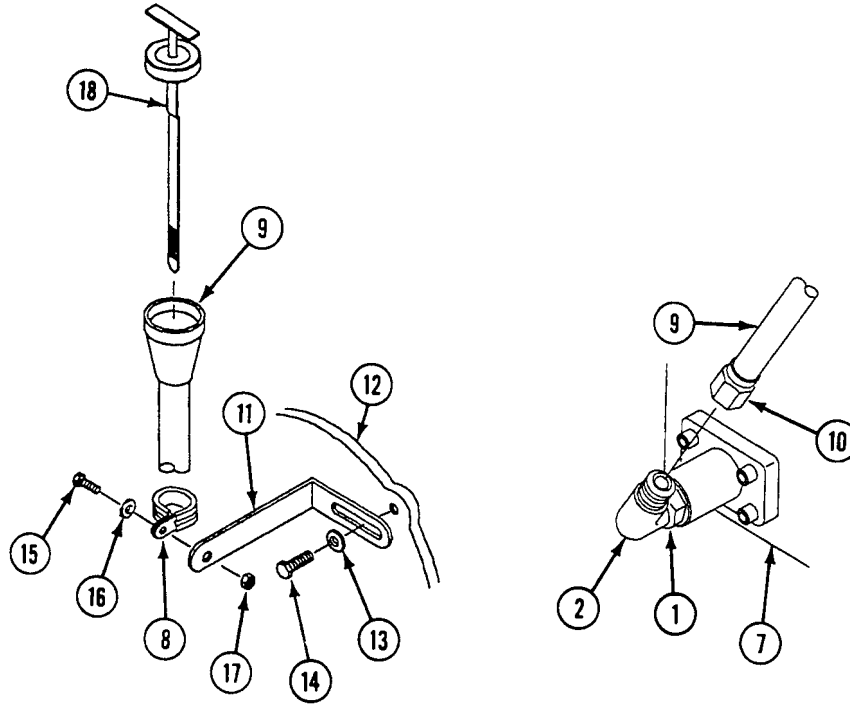
3. Slide clamp (8) on tube (9). Position tube on elbow (2) and thread coupling nut (10). Do not tighten nut.
4. Install bracket (11) on transmission cover (12). Secure with washer (13) and screw (14).
5. Align clamp (8) with bracket (11). Secure clamp with screw (15) washer (16), and nut (17).
6. Tighten jam nut (1) and coupling nut (10).



**REPLACE TRANSMISSION OIL LEVEL DIPSTICK, FILLER TUBE, AND ADAPTER
(X200-4A ONLY) — Continued**

0396 00

7. Install dipstick (18) in tube (9).



FOLLOW-THROUGH STEPS

1. Fill transmission with oil (WP 0398 00).
2. Install power plant (WP 0156 00).
3. Unblock carrier (see your -10)
4. Start engine (see your -10)

END OF TASK

REPLACE GOVERNOR ASSEMBLY

0397 00

THIS WORK PACKAGE COVERS:

Removal (page 0397 00-1).
 Installation (page 0397 00-2).

INITIAL SETUP:

Maintenance Level

Unit

Personnel Required

Mechanic

Tools and Special Tools

General Mechanic's Tool Kit (WP 0926 00, Item 65)

Torque Wrench (WP 0926 00, Item 82)

References

TM 9-2350-277-10

Equipment Condition

Engine stopped (TM 9-2350-277-10)

Carrier blocked (TM 9-2350-277-10)

Power plant access door open (TM 9-2350-277-10)

Power plant removed (WP 0156 00)

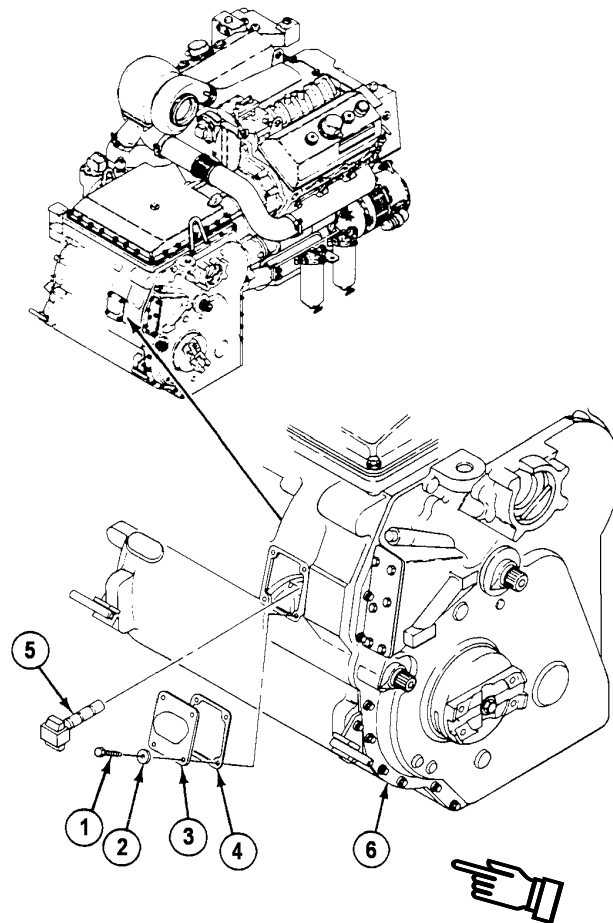
Materials/Parts

Gasket

Self-locking bolt (4)

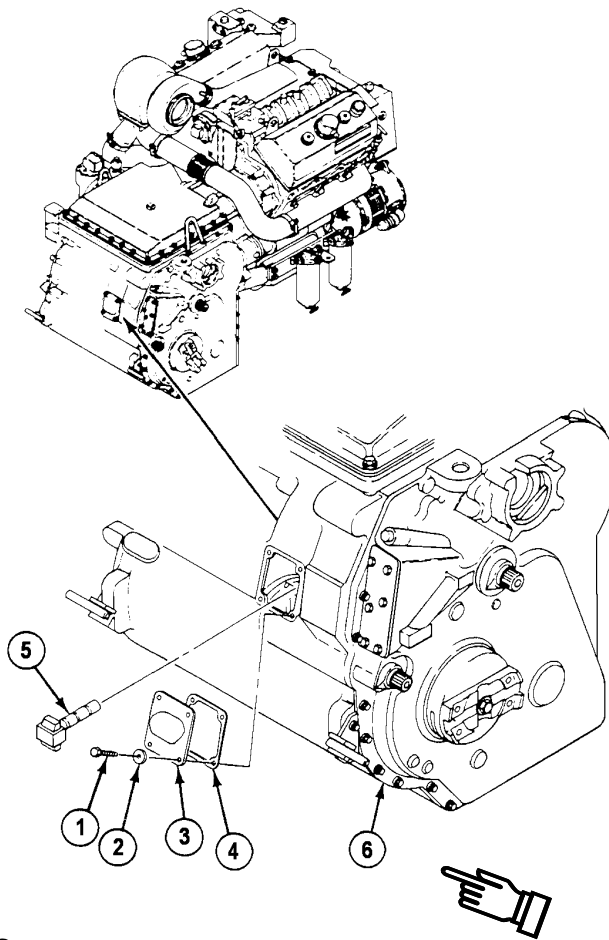
REMOVAL

1. Remove four self-locking bolts (1) and washers (2) from brake adjustment cover (3). Remove cover and gasket (4) from rear of transmission (6). Discard gasket and bolts.
2. Remove governor assembly (5) from transmission (6). No repair is authorized. Replace a defective governor.



INSTALLATION

1. Install new governor assembly (5) in transmission (6). Twist governor slightly to the right while inserting it into bore inside transmission.
2. Install cover (3) and new gasket (4) on transmission (6). Secure with four washers (2) and new self-locking bolts (1). TORQUE BOLTS TO 13-15 LB-FT (18-20 N·m). Use torque wrench.

**FOLLOW-THROUGH STEPS**

1. Install power plant (WP 0156 00).
2. Close power plant access door. See TM 9-2350-277-10.

END OF TASK

REPLACE TRANSMISSION OIL AND OIL FILTER ELEMENT

0398 00

THIS WORK PACKAGE COVERS:

Removal (page 0398 00-1).
 Installation (page 0398 00-3).

INITIAL SETUP:

Maintenance Level

Unit

Personnel Required

Mechanic

Tools and Special Tools

General Mechanic's Tool Kit (WP 0926 00, Item 65)

Torque Wrench (WP 0926 00, Item 85)

References

TM 9-2350-277-10

WP 0155 00

WP 0173 00

WP 0450 00

Materials/Parts

Automotive grease (WP 0928 00, Item 12)

Transmission oil (WP 0928 00, Item 28)

Container (12 gallons)

Preformed packing (2)

Transmission parts kit

Screw (3)

Equipment Condition

Engine stopped (TM 9-2350-277-10)

Carrier blocked (TM 9-2350-277-10)

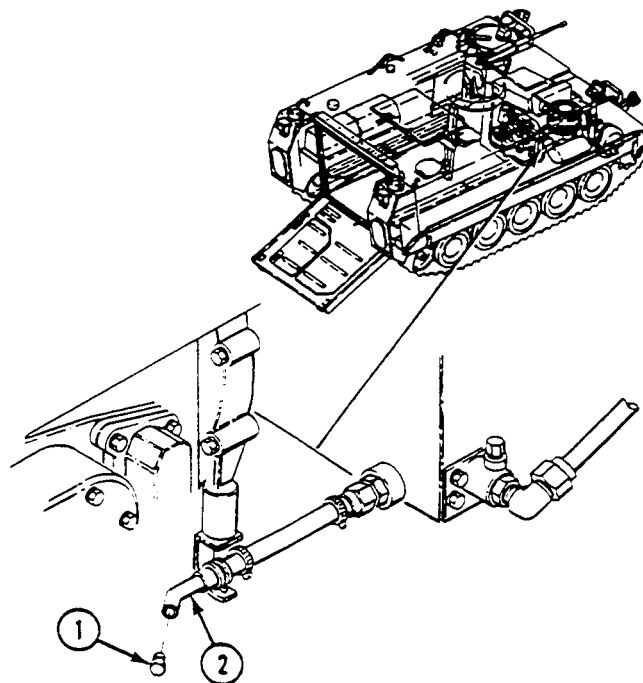
Power plant access door open (TM 9-2350-277-10)

Power plant bottom access cover removed (WP 0450 00)

Air intake elbow removed (WP 0173 00)

REMOVAL

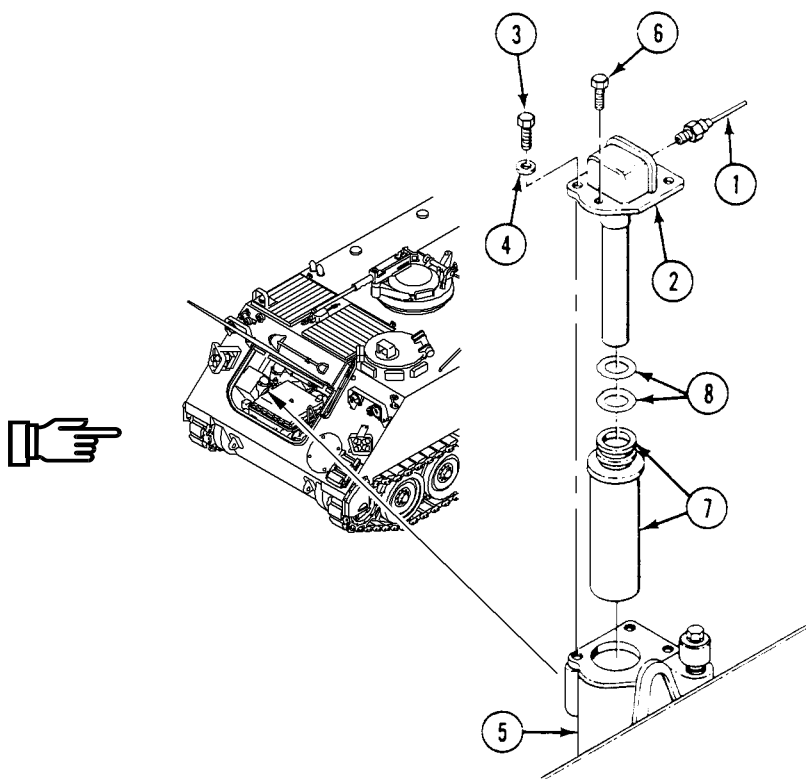
1. Place container under hull bottom access hole.
2. Remove plug (1) from drain tube (2). Drain transmission oil into container. Discard oil in accordance with Army regulations.



NOTE

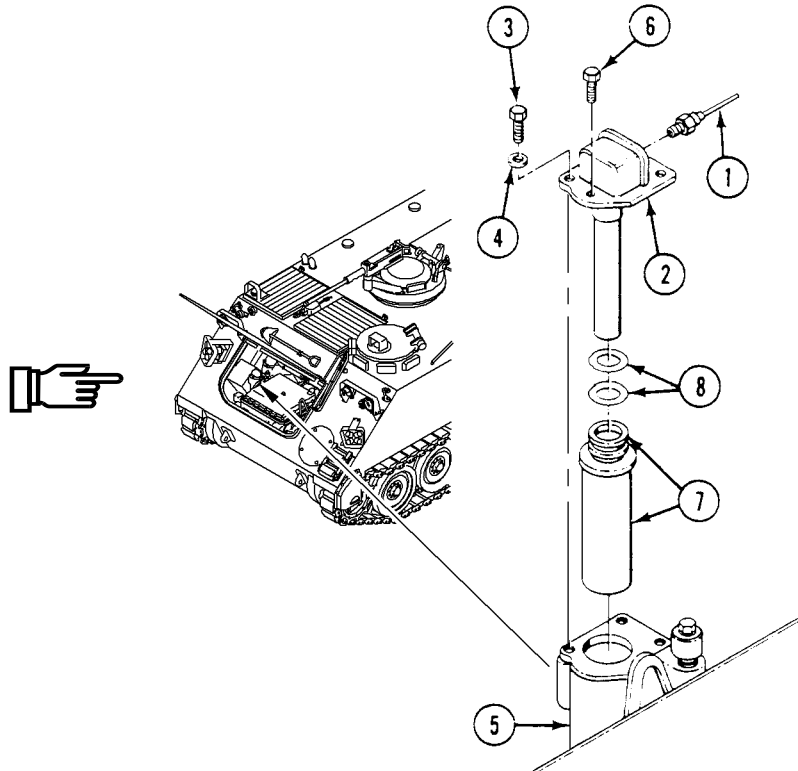
Oil filter element MUST be replaced when transmission oil is drained.

3. Disconnect lead (1) from filter head (2).
4. Remove three screws (3), washers (4), and filter head (2) from filter body (5). Use two screws as jack screws (6). Discard three screws.
5. Remove filter element (7) and two preformed packings (8) from filter body (5). Discard packings. Discard filter element in accordance with Army regulations.
6. Remove oil from filter body (5).

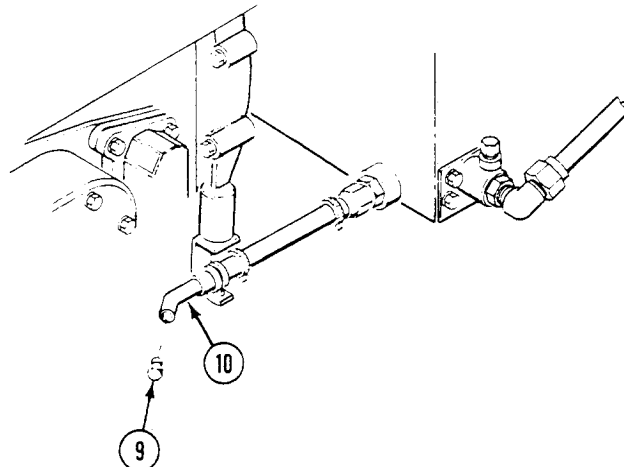


INSTALLATION

1. Lubricate two new packings (8) with grease (WP 0155 00).
2. Install new preformed packing on new element (7). Install element in filter body (5).
3. Install two new preformed packings (8) on filter head (2). Install filter head on filter body (5). Secure with three new screws (3) and washers (4). TORQUE SCREWS TO 23-25 LB-FT (30-34 N·M). Use torque wrench.
4. Connect lead (1) to filter head (2).



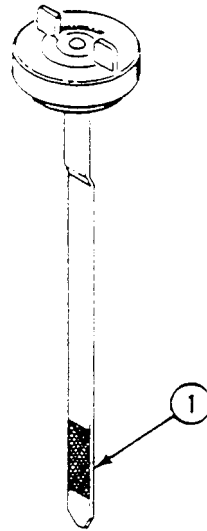
5. Install plug (9) on drain tube (10).



NOTE

Transmission must be serviced with operational lubricant in accordance with transmission tag on filler neck and WP 0155 00.

6. Fill transmission with oil to bring level between ADD and FULL mark on dipstick (1). See transmission tag on filler neck and (WP 0155 00).
7. Install air intake elbow (WP 0173 00).
8. Turn MASTER SWITCH ON. See TM 9-2350-277-10.
9. Run engine for 3 to 5 minutes. See TM 9-2350-277-10. Check fluid level (WP 0155 00). Transmission oil level should be between ADD and FULL on dipstick (1). Check for leaks.

**FOLLOW-THROUGH STEPS**

1. Stop engine. See TM 9-2350-277-10.
2. Install power plant bottom access cover (WP 0450 00).
3. Close power plant access door. See TM 9-2350-277-10.

END OF TASK

REPLACE TRANSMISSION OIL COOLER HOSES, FITTINGS, AND MOUNTING

0399 00

THIS WORK PACKAGE COVERS:

Removal (page 0399 00-1).
 Installation (page 0399 00-8).

INITIAL SETUP:

Maintenance Level

Unit

Lockscrew (2)

Packing

Packing

Strap (2)

Tools and Special Tools

General Mechanic's Tool Kit (WP 0926 00, Item 65)
 Crowfoot Attachment, Socket (WP 0926 00, Item 14)
 Socket wrench set (WP 0926 00, Item 72)
 Torque wrench (WP 0926 00, Item 80)
 Torque wrench (WP 0926 00, Item 85)

Personnel Required

Unit Mechanic

Materials/Parts

Sealing compound (WP 0928 00, Item 56)
 Petrolatum (WP 0928 00, Item 61)
 Wiping rag (WP 0928 00, Item 65)
 Gasket
 Locknut
 Lockscrew (4)
 Lockscrew (9)
 Lockscrew (15)

References

See your -10

Equipment Condition

Engine stopped (see your -10)
 Carrier blocked (see your -10)
 Power plant removed (WP 0156 00)
 Transmission oil drained (WP 0398 00)

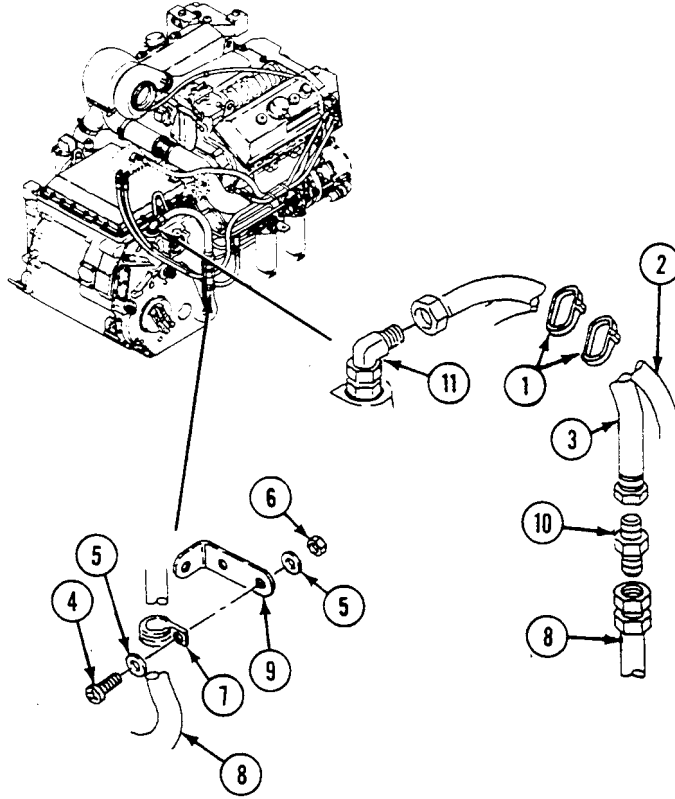
REMOVAL

1. Remove two straps (1) from wiring harness (2) and transmission oil inlet tube (3). Discard straps.
2. Remove screw (4), two washers (5), locknut (6), and clamp (7) securing transmission oil inlet hose (8) to bracket (9). Discard locknut.
3. Remove transmission oil inlet tube (3) from nipple (10).
4. Remove transmission oil inlet tube (3) from elbow (11).

REPLACE TRANSMISSION OIL COOLER HOSES, FITTINGS, AND MOUNTING —
Continued

0399 00

5. Remove nipple (10) from transmission oil inlet hose (8).

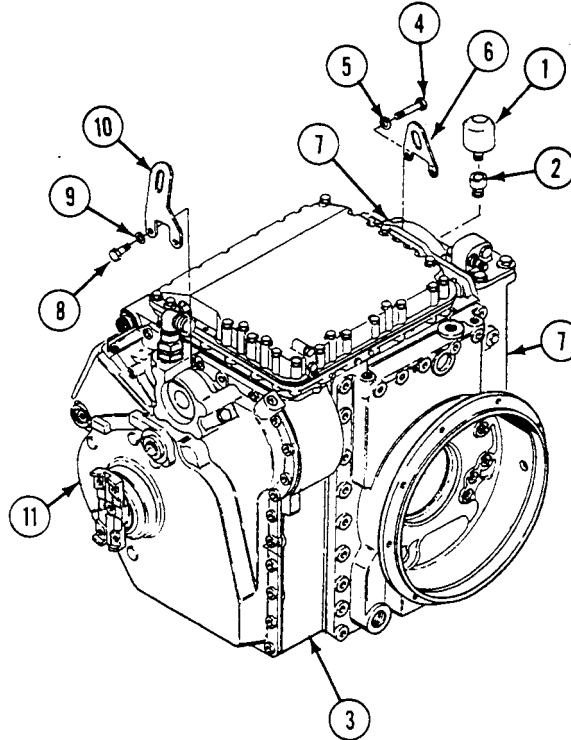


REPLACE TRANSMISSION OIL COOLER HOSES, FITTINGS, AND MOUNTING —
Continued

0399 00

NOTE**Do Steps 6 - 12 only if elbow needs to be replaced.**

6. Remove breather (1) and reducer (2) from top of transmission housing (3).
7. Remove two lockscrews (4), washers (5), and lifting bracket (6) from left end cover (7). Discard lockscrews.
8. Remove two lockscrews (8), washers (9), and lifting bracket (10) from right end cover (11). Discard lockscrews.

**CAUTION**

Contamination of control valves can cause transmission failure. Make sure dirt does not get into control valves when top cover is removed.

NOTE

Three different length lockscrews are used to secure top cover. Mark location of top cover lockscrews to ensure proper installation.

REPLACE TRANSMISSION OIL COOLER HOSES, FITTINGS, AND MOUNTING —
Continued

0399 00

9. Remove nine lockscrews (12), two lockscrews (13), 15 lockscrews (14), cover (15), and gasket (16) from transmission housing (3). Discard lockscrews and gasket.

NOTE

Mark direction that elbow is pointing to ensure proper alignment during installation.

NOTE

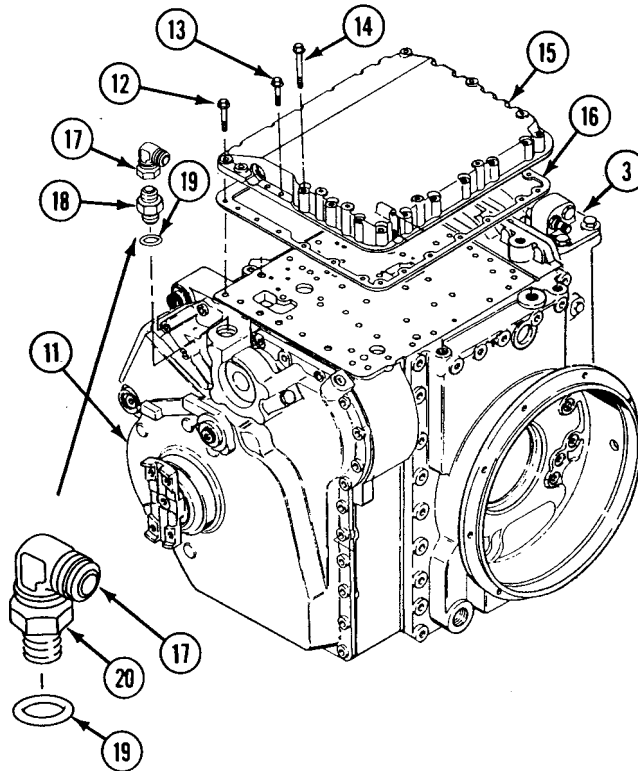
Do Step 10 and Step 11 only for transmissions equipped with an adapter for elbow.

10. Remove elbow (17) from adapter (18).
11. Remove adapter (18) and packing (19) from right end cover (11). Discard packing.

NOTE

Do Step 12 only for transmissions without an elbow adapter.

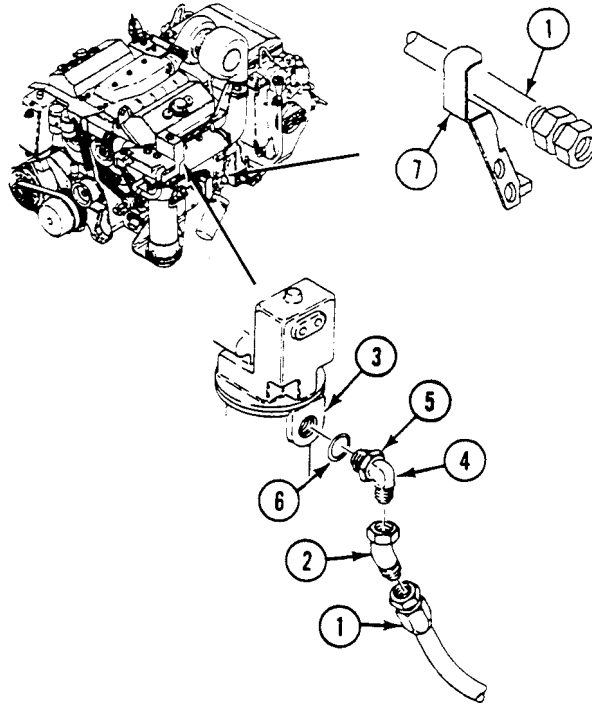
12. Loosen locknut (20) and remove elbow (17) and packing (19) from right end cover (11). Discard packing.



REPLACE TRANSMISSION OIL COOLER HOSES, FITTINGS, AND MOUNTING —
Continued

0399 00

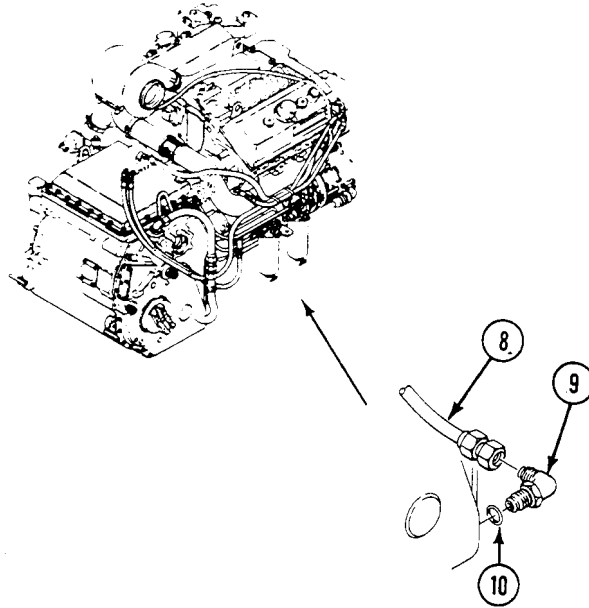
13. Remove hose (1) from elbow (2) on oil cooler outlet port (3).
14. Remove elbow (2) from elbow (4) on oil cooler outlet port (3).
15. Loosen jam nut (5) and remove elbow (4) and preformed packing (6) from oil cooler outlet port (3). Discard packing.
16. Remove hose (1) from bracket (7).



REPLACE TRANSMISSION OIL COOLER HOSES, FITTINGS, AND MOUNTING —
Continued

0399 00

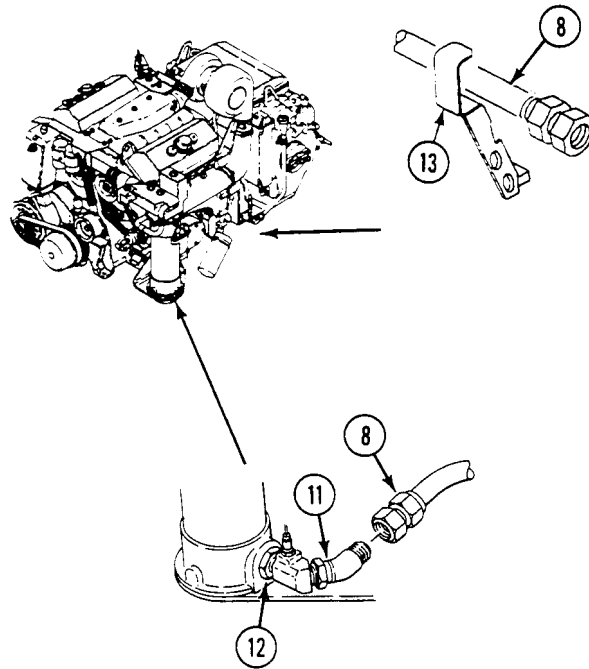
17. Remove hose (8) from elbow (9) on transmission outlet port. Remove elbow and preformed packing (10) from transmission outlet port.



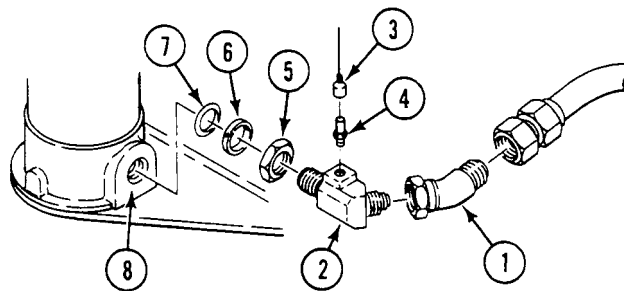
REPLACE TRANSMISSION OIL COOLER HOSES, FITTINGS, AND MOUNTING —
Continued

0399 00

18. Remove hose (8) from elbow (11) on oil cooler inlet port (12).
19. Remove hose (8) from bracket (13).



20. Remove elbow (1) from tee (2).
21. Disconnect circuit 327 lead (3) from transmission oil high temperature switch (4).
22. Remove transmission oil high temperature switch (4) from tee (2).
23. Loosen jam nut (5) and remove tee (2), retainer (6), and preformed packing (7) from oil cooler inlet port (8). Discard packing.

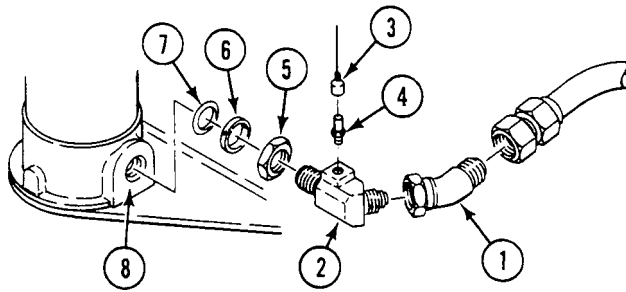


**REPLACE TRANSMISSION OIL COOLER HOSES, FITTINGS, AND MOUNTING —
Continued**

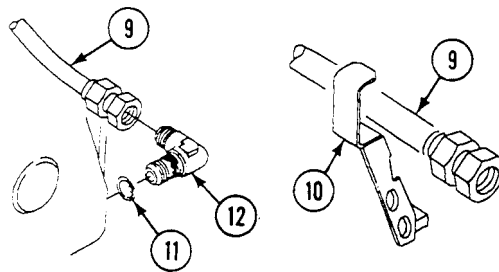
0399 00

INSTALLATION

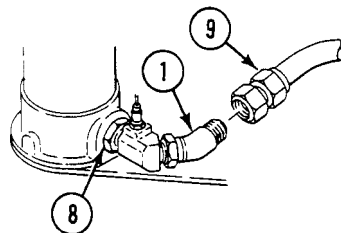
1. Apply light coat of sealing compound to clean external tapered threads. Do not apply sealant beyond small tapered threads.
2. Install jam nut (5) on tee (2).
3. Install new preformed packing (7), retainer (6), and tee (2) on oil cooler inlet port (8). Tighten jam nut (5).
4. Install transmission oil high temperature switch (4) on tee (2).
5. Connect circuit 327 lead (3) to transmission oil high temperature switch (4).
6. Install elbow (1) on tee (2).



7. Route hose (9) through bracket (10) to outlet port on transmission. Install new preformed packing (11) and elbow (12) in outlet port on transmission. Install hose on elbow.



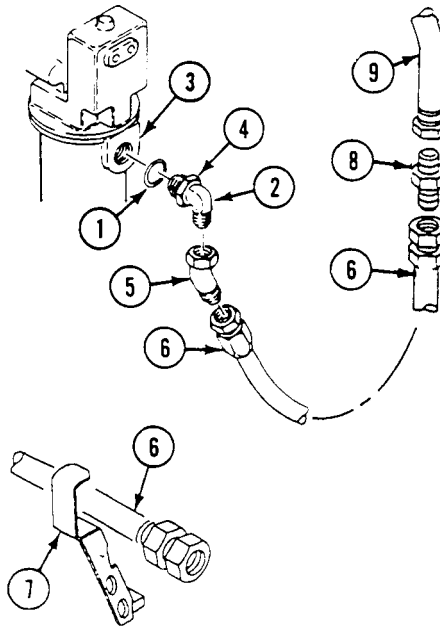
8. Install hose (9) on elbow (1) on oil cooler inlet port (8).



REPLACE TRANSMISSION OIL COOLER HOSES, FITTINGS, AND MOUNTING —
Continued

0399 00

9. Install new preformed packing (1) and elbow (2) on oil cooler outlet port (3). Tighten jam nut (4).
10. Install elbow (5) on elbow (2).
11. Install hose (6) on elbow (5).
12. Route hose (6) through bracket (7).
13. Install nipple (8) on transmission oil inlet hose (6).
14. Install transmission oil inlet tube (9) on nipple (8).



CAUTION

Contamination of control valves can cause transmission failure. Make sure dirt does not get into control valves while top cover is removed.

NOTE

If elbow was removed, do Steps 15 - 24.

NOTE

Ensure elbow is pointing in right direction during installation. Use mark made during removal. If needed, temporarily install transmission oil inlet tube on elbow. Ensure top cover can be installed after elbow is tightened.

NOTE

Do Step 15 only for transmissions without an elbow adapter.

**REPLACE TRANSMISSION OIL COOLER HOSES, FITTINGS, AND MOUNTING —
Continued**

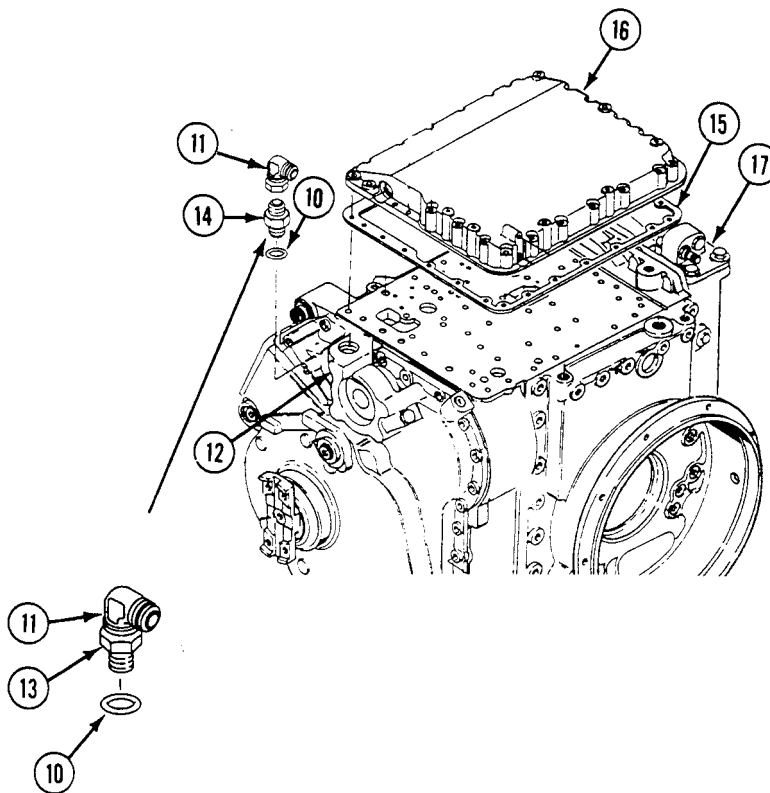
0399 00

15. Lubricate new preformed packing (10) with a thin coat of petrolatum. Install packing and elbow (11) in right end cover (12). Verify proper alignment of elbow. **TIGHTEN LOCKNUT (13) TO 159-175 LB-FT (216-237 N·m) TORQUE.**

NOTE

Do Step 16 and Step 17 only for transmissions equipped with an adapter for elbow (11).

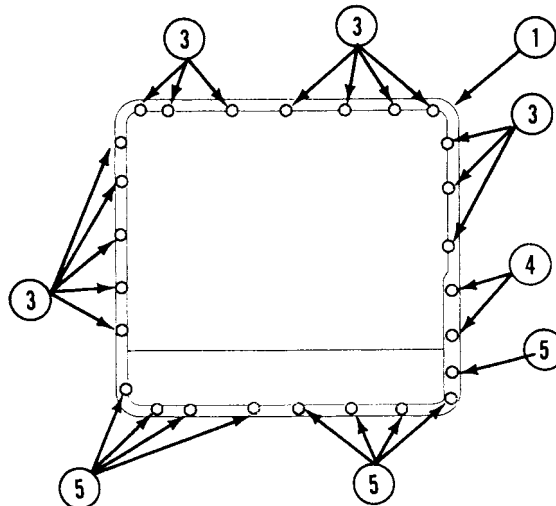
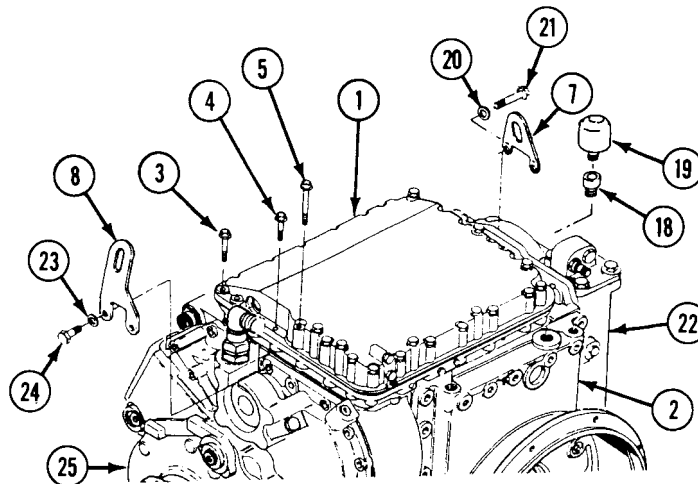
16. Lubricate new preformed packing (10) with a thin coat of petrolatum. Install packing and adapter (14) in right end cover (12). **TIGHTEN ADAPTER TO 127-140 LB-FT (172-190 N·m) TORQUE.**
17. Install elbow (11) on adapter (14). Hold adapter. **TIGHTEN ELBOW TO 160-182 LB-FT (217-247 N·m) TORQUE.**
18. Place new gasket (15) and top cover (16) on transmission (17).



NOTE

Three different length lockscrews are used to secure top cover. Ensure all lockscrews are located properly before tightening.

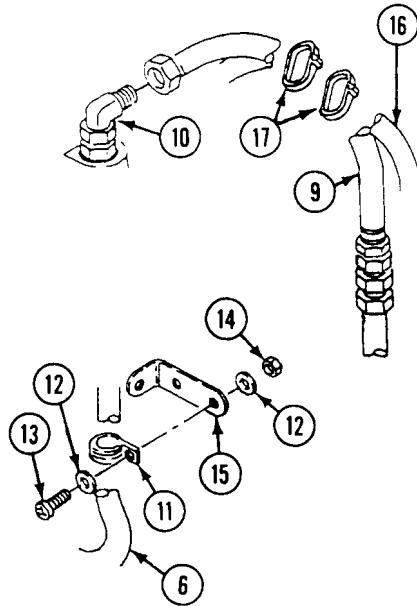
19. Secure top cover (1) to transmission housing (2) with 15 lockscrews (3), two lockscrews (4), and nine lockscrews (5). TIGHTEN ALL LOCKSCREWS TO 156-180 LB-IN (18-20 N·m) TORQUE.
20. Install reducer (18) in top of transmission housing (2). TIGHTEN REDUCER TO 144-192 LB-IN (16-22 N·m) TORQUE.
21. Install breather (19) in reducer (18). TIGHTEN BREATHER TO 168-192 LB-IN (19-22 N·m) TORQUE.
22. Install lifting bracket (7) with bracket leaning towards the center of the transmission, two washers (20), and new lockscrews (21) on left end cover (22).
23. Install lifting bracket (8) with bracket leaning towards the center of the transmission, two washers (23), and new lockscrews (24) and on right end cover (25).
24. TIGHTEN LOCKSCREWS (21) AND (24) TO 156-180 LB-IN (18-20 N·m) TORQUE.



REPLACE TRANSMISSION OIL COOLER HOSES, FITTINGS, AND MOUNTING —
Continued

0399 00

25. Install transmission oil inlet tube (9) on elbow (10).
26. Install transmission oil inlet hose (6), clamp (11), two washers (12), screw (13), and new locknut (14) on bracket (15).
27. Secure wiring harness (16) to transmission oil inlet tube (9) with two new straps (17).

**FOLLOW-THROUGH STEPS**

1. Fill transmission with oil (WP 0398 00).
2. Install power plant (WP 0156 00).

END OF TASK

REPLACE TRANSMISSION OIL SAMPLING VALVE AND PRESSURE SWITCH

0400 00

THIS WORK PACKAGE COVERS:

- Removal (page 0400 00-1).
- Installation (page 0400 00-2).

INITIAL SETUP:

Maintenance Level

Unit

Personnel Required

Mechanic

Tools and Special Tools

General Mechanic's Tool Kit (WP 0926 00, Item 65)

References

TM 9-2350-277-10

Materials/Parts

Sealing compound (WP 0928 00, Item 56)

Preformed packing

Retainer

Equipment Condition

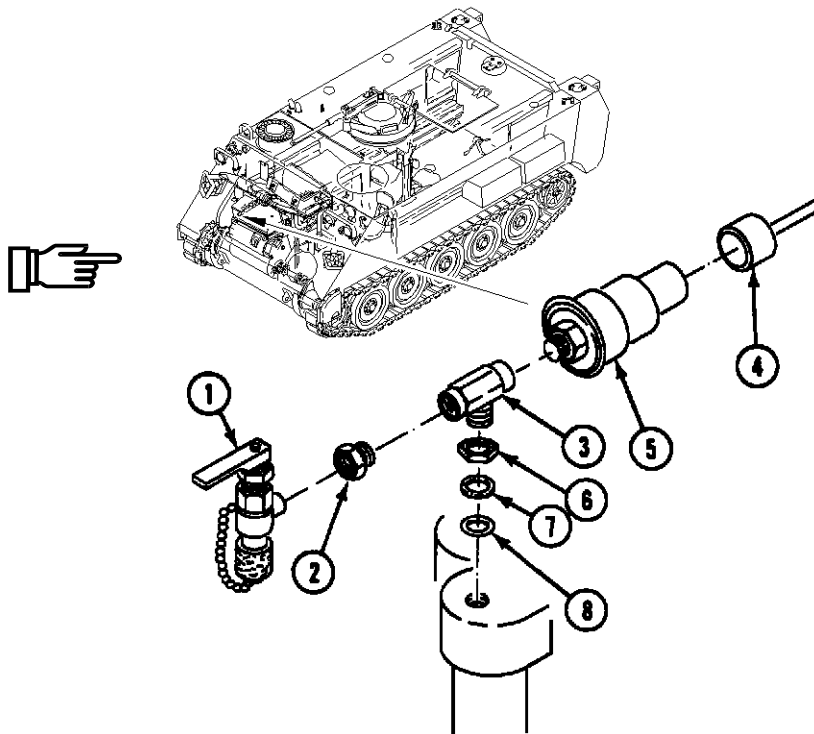
Engine stopped (TM 9-2350-277-10)

Carrier blocked (TM 9-2350-277-10)

Power plant access door open (TM 9-2350-277-10)

REMOVAL

1. Remove valve (1) from bushing (2).
2. Remove bushing (2) from tee (3).
3. Disconnect circuit 366 lead (4) from switch (5).
4. Remove switch (5) from tee (3).
5. Remove tee (3) with tube nut (6), retainer (7), and preformed packing (8) from transmission. Discard packing and retainer.

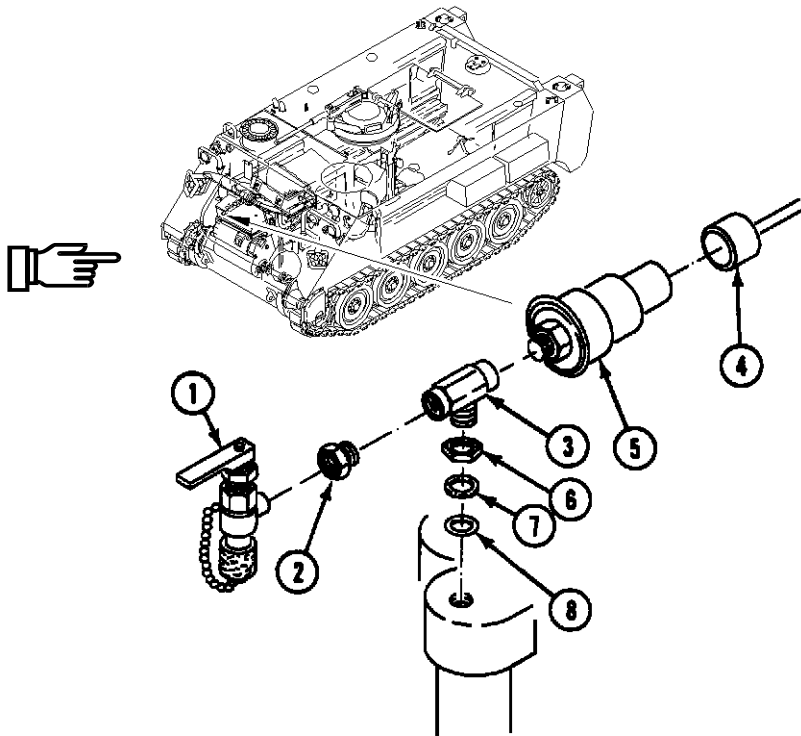


REPLACE TRANSMISSION OIL SAMPLING VALVE AND PRESSURE SWITCH — Continued

0400 00

INSTALLATION

1. Install new preformed packing (8), new retainer (7), and tee (3) with tube nut (6) on transmission.
2. Apply sealing compound to male threads of switch (5), and install switch in tee (3).
3. Connect circuit 366 lead (4) to switch (5)
4. Apply sealing compound to male threads of bushing (2), and install bushing in tee (3).
5. Install valve (1) in bushing (2).

**FOLLOW-THROUGH STEPS**

1. Close power plant access door. See TM 9-2350-277-10.

END OF TASK

REPLACE DIFFERENTIAL PRESSURE SWITCH AND BYPASS PLUG

0401 00

THIS WORK PACKAGE COVERS:

Removal (page 0401 00-1).
 Installation (page 0401 00-2).

INITIAL SETUP:

Maintenance Level

Unit

References

See your -10

Tools and Special Tools

General Mechanic's Tool Kit (WP 0926 00, Item 65)

Equipment Condition

Engine stopped (see your -10)
 Carrier blocked (see your -10)
 Power plant access door open (see your -10)

Materials/Parts

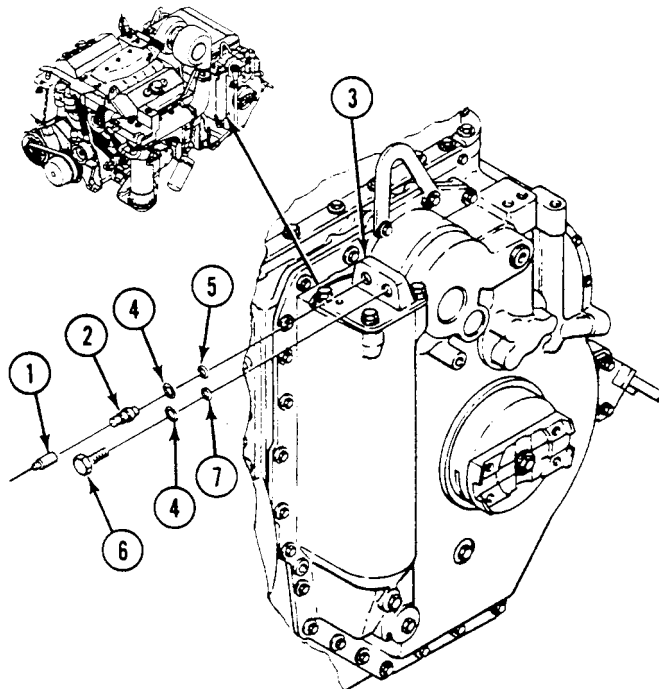
Preformed packing (2)
 Preformed packing
 Preformed packing

Personnel Required

Unit Mechanic

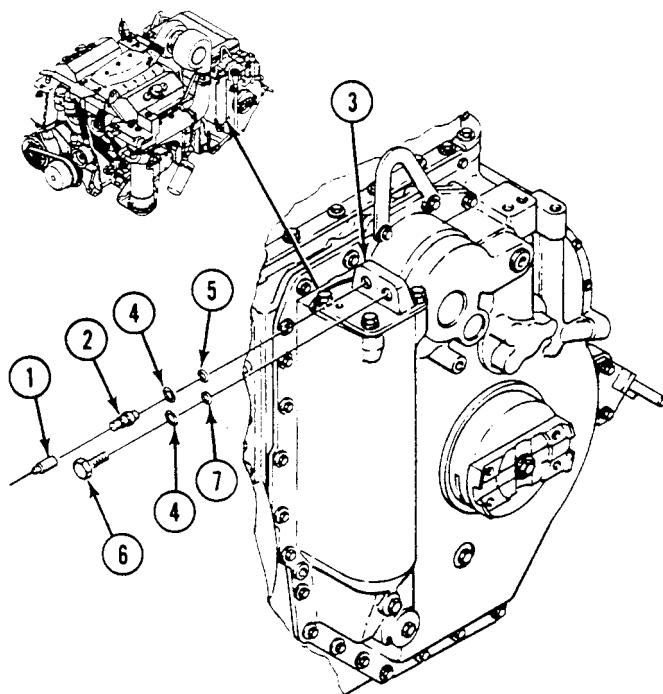
REMOVAL

1. Disconnect electrical connector (1) from switch (2) on filter head (3).
2. Remove switch (2), packing (4), and packing (5) from filter head (3). Discard packings.
3. Remove plug (6), packing (4), and packing (7) from filter head (3). Discard packings.



INSTALLATION

1. Install new packing (7), new packing (4), and plug (6) in filter head (3).
2. Install new packing (5), new packing (4), and switch (2) in filter head (3).
3. Connect electrical connector (1) to switch (2) on filter head (3).

**FOLLOW-THROUGH STEPS**

1. Close power plant access door (see your -10).

END OF TASK

CHAPTER 10

UNIT MAINTENANCE INSTRUCTIONS
FOR TRANSFER AND FINAL DRIVE ASSEMBLIES

WORK PACKAGE INDEX

<u>Title</u>	<u>Sequence No.</u>
REPLACE FINAL DRIVE FILLER TUBE AND DIPSTICK.....	.0402 00
REPLACE FINAL DRIVE.....	.0403 00
REPLACE FINAL DRIVE DIFFERENTIAL OIL SEAL.....	.0404 00

REPLACE FINAL DRIVE FILLER TUBE AND DIPSTICK

0402 00

THIS WORK PACKAGE COVERS:

Removal (page 0402 00-1).
 Installation (page 0402 00-3).

INITIAL SETUP:

Maintenance Level

Unit

Personnel Required

Mechanic

Tools and Special Tools

General Mechanic's Tool Kit (WP 0926 00, Item 65)

References

TM 9-2350-277-10

Materials/Parts

Antiseize compound (WP 0928 00, Item 11)

Sealing compound (WP 0928 00, Item 56)

Preformed packing

Tablock washer

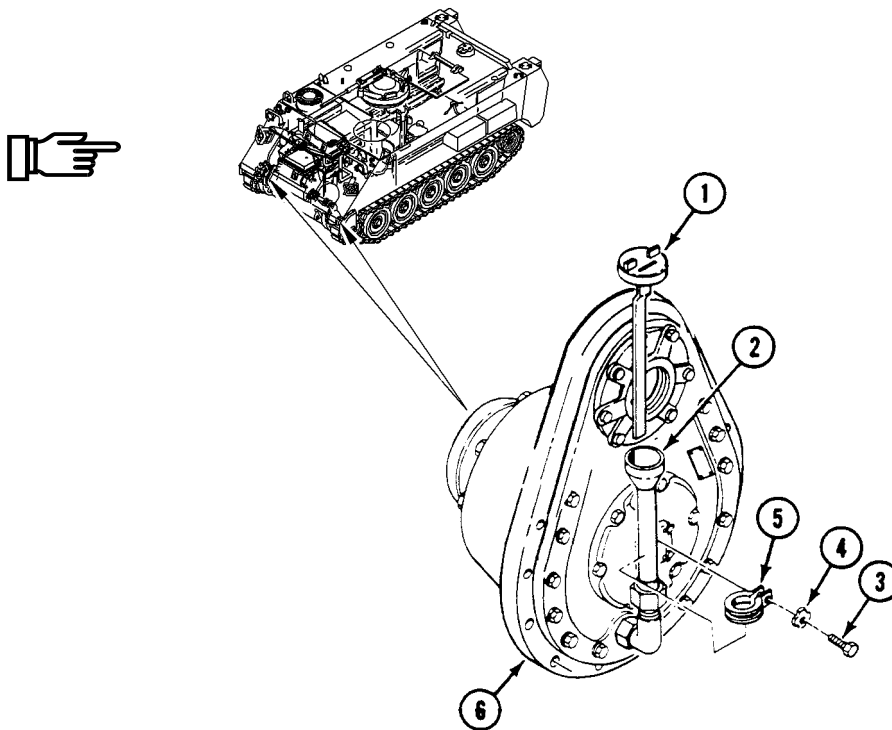
Equipment Condition

Power plant access door open (TM 9-2350-277-10)

Final drive removed (WP 0403 00)

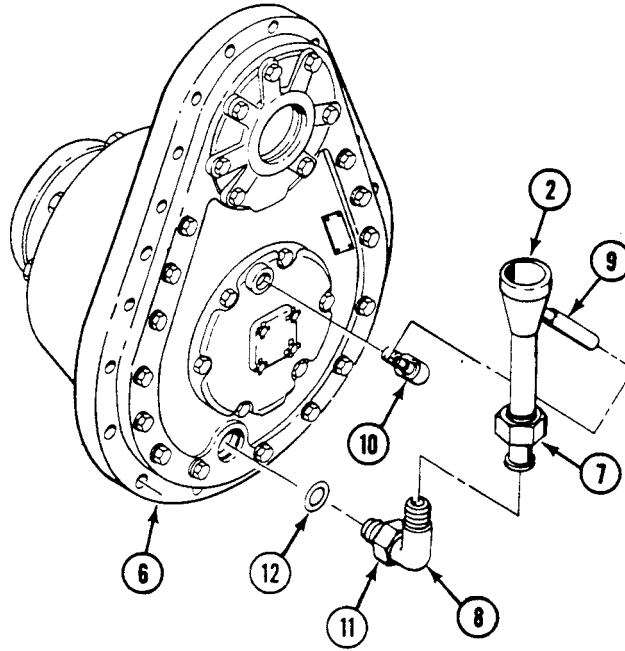
REMOVAL

1. Turn dipstick (1) to the left and remove from oil filler tube (2).
2. Remove screw (3), tablock washer (4), and clamp (5) from final drive (6). Discard tablock washer.



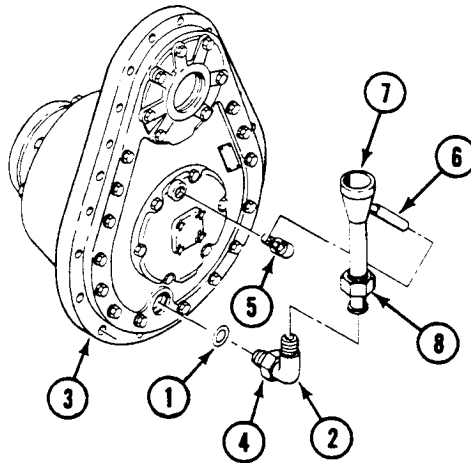
REPLACE FINAL DRIVE FILLER TUBE AND DIPSTICK — Continued**0402 00**

3. Remove nut (7) from elbow (8).
4. Remove vent tube (9) from elbow (10).
5. Remove filler tube (2) and vent tube (9) from final drive (6).
6. Remove elbow (10) from final drive (6).
7. Loosen nut (11). Remove elbow (8) and preformed packing (12) from final drive (6). Discard packing.

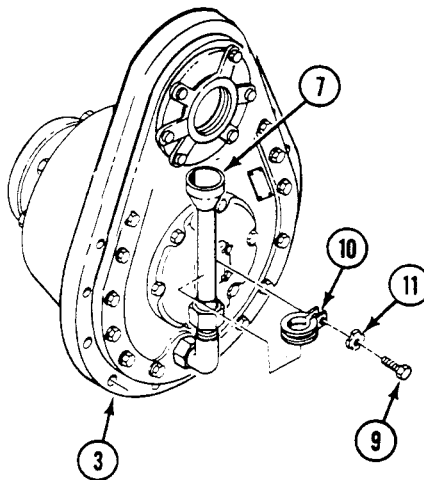


INSTALLATION

1. Install new preformed packing (1) and elbow (2) in final drive (3). Secure with nut (4).
2. Apply a light coat of sealing compound to threads of elbow (5).
3. Install elbow (5) in final drive (3).
4. Install vent tube (6) on elbow (5).
5. Connect filler tube (7) to vent tube (6) and elbow (2). Do not tighten nut (8).

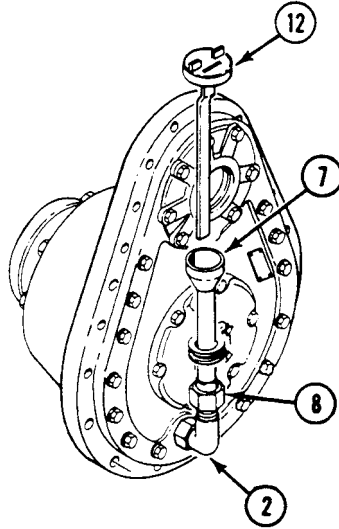


6. Apply a light coat of antiseize compound to threads of screw (9).
7. Secure filler tube (7) to final drive (3) with clamp (10), new tablock washer (11), and screw (9).



REPLACE FINAL DRIVE FILLER TUBE AND DIPSTICK — Continued**0402 00**

8. Tighten nut (8) to secure filler tube (7) to elbow (2).
9. Install dipstick (12) in filler tube (7) and turn to the right to lock.

**FOLLOW-THROUGH STEPS**

1. Install final drive (WP 0403 00).
2. Close power plant access door. See TM 9-2350-277-10.

END OF TASK

REPLACE FINAL DRIVE

0403 00

THIS WORK PACKAGE COVERS:

- Removal (page 0403 00-1).
 - Clean, Inspect, and Repair (page 0403 00-2).
 - Installation (page 0403 00-3).
-

INITIAL SETUP:

Maintenance Level

Unit

References

- TM 9-2350-277-10
- WP 0155 00

Tools and Special Tools

- General Mechanic's Tool Kit (WP 0926 00, Item 65)
- Lifting Bar (WP 0926 00, Item 8)
- Torque Wrench (WP 0926 00, Item 81)
- Lifting Device

Equipment Condition

- Engine stopped (TM 9-2350-277-10)
- Carrier blocked (TM 9-2350-277-10)
- Power plant access door open (TM 9-2350-277-10)
- Final drive yoke removed (WP 0405 00)
- Track removed from drive sprocket (WP 0422 00)
- Track drive sprocket removed from final drive (WP 0420 00)
- Track cover removed (WP 0438 00)

Materials/Parts

- Antiseize compound (WP 0928 00, Item 11)
- Cleaning compound (WP 0928 00, Item 19)

Personnel Required

Mechanic

REMOVAL

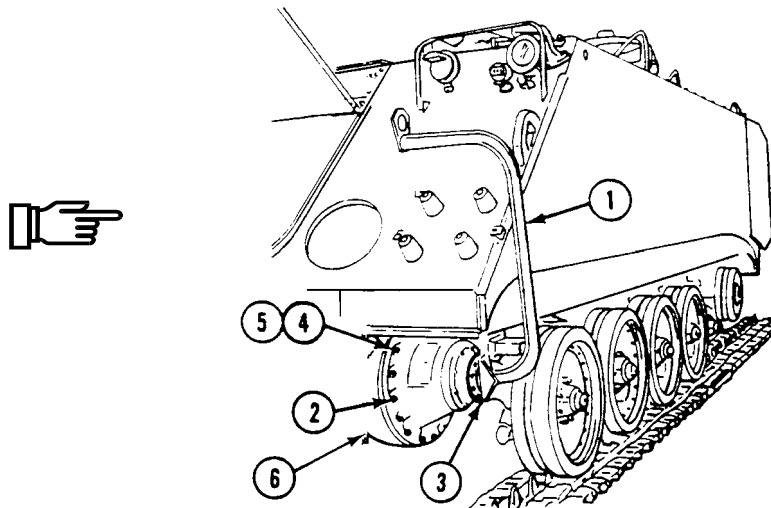
1. If left final drive is to be removed, remove hull front access cover (WP 0449 00). Remove left final drive speedometer cable and adapter (WP 0422 00).
2. Drain final drive (WP 0155 00).

WARNING



The final drive is heavy and can cause back injury if handled improperly. Be sure to use a hoist or a helper to remove final drive.

3. Secure lifting bar (1) to final drive (2) with two sprocket mounting screws (3).
4. Attach suitable lifting device of at least 165 lb (75 kg) capacity to lifting bar (1).
5. Remove 17 screws (4), washers (5), and final drive (2) from hull (6).

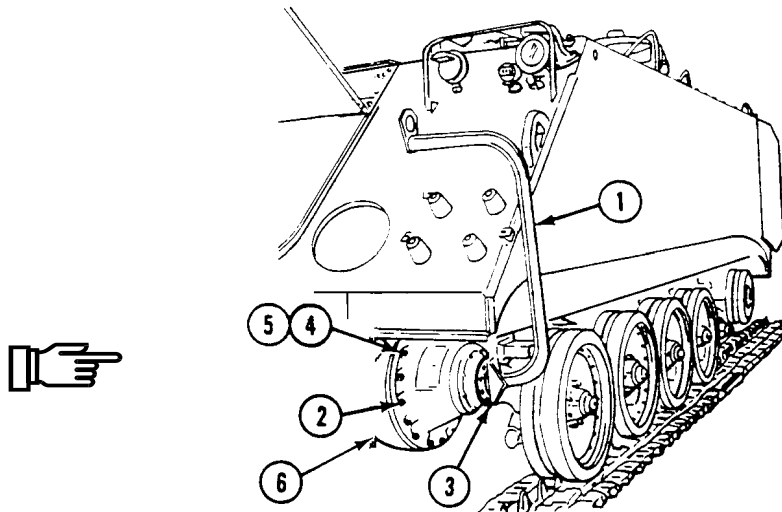


CLEAN, INSPECT, AND REPAIR

1. Clean final drive and hull mounting surface with dry cleaning solvent.
2. Replace final drive that shows cracks or leaks other than differential oil seal leak. Leaking differential oil seal can be replaced (WP 0404 00).
3. Check mounting surfaces and internal spline for breaks, nicks, deep scratches and burrs. Repair minor damage. Replace final drive if damage cannot be repaired.

INSTALLATION

1. Check final drive drain plug for tightness.
2. If left final drive is to be replaced, remove speedometer shaft adapter from old final drive and install it in new final drive (WP 0860 00).
3. Fill final drive with oil (WP 0155 00).
4. Secure lifting bar (1) to final drive (2) with two sprocket mounting screws (3).
5. Attach lifting device of at least 165 lb (75 kg) capacity to lifting bar (1) and position final drive (2) on hull (6).
6. Apply antiseize compound to threads of 17 screws (4).
7. Secure final drive (2) to hull (6) with 17 screws (4) and washers (5). TORQUE SCREWS TO 75-85 LB-FT (102-115 N·M).
8. Remove two screws (3) and lifting bar (1) from final drive (2).

**FOLLOW-THROUGH STEPS**

1. Install final drive yoke (WP 0405 00).
2. Install drive sprocket on final drive (WP 0422 00).
3. Install track on drive sprocket (WP 0422 00).
4. Install track cover (WP 0438 00).
5. Install speedometer cable on adapter (left final drive only) (WP 0422 00).
6. Install hull front access cover (left final drive only) (WP 0449 00).
7. Close power plant access door. See TM 9-2350-277-10.
8. Remove blocks used to keep carrier from moving. See TM 9-2350-277-10.
9. Road test carrier (WP 0155 00) to check final drive.

END OF TASK

REPLACE FINAL DRIVE DIFFERENTIAL OIL SEAL

0404 00

THIS WORK PACKAGE COVERS:

- Removal (page 0404 00-1).
- Installation (page 0404 00-2).

INITIAL SETUP:

Maintenance Level

Unit

Personnel Required

Mechanic

Tools and Special Tools

- General Mechanic's Tool Kit (WP 0926 00, Item 65)
- Torque Wrench (WP 0926 00, Item 81)

References

- TM 9-2350-277-10
- WP 0155 00

Materials/Parts

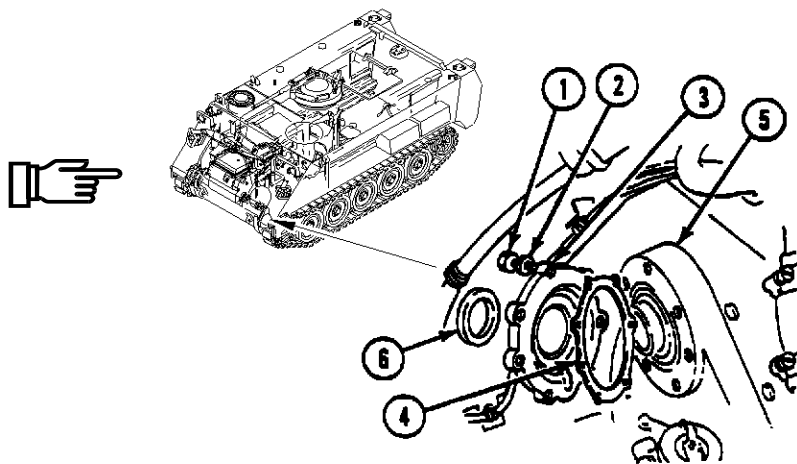
- Antiseize compound (WP 0928 00, Item 11)
- Sealing compound (WP 0928 00, Item 56)
- Gasket
- Seal
- Lock screw (3)
- Lock screw (4)

Equipment Condition

- Carrier blocked (TM 9-2350-277-10)
- Power plant access door open (TM 9-2350-277-10)
- Drive shaft removed (WP 0405 00)
- Final drive yoke removed (WP 0405 00)
- Hull front access cover removed (left final drive only) (WP 0449 00)

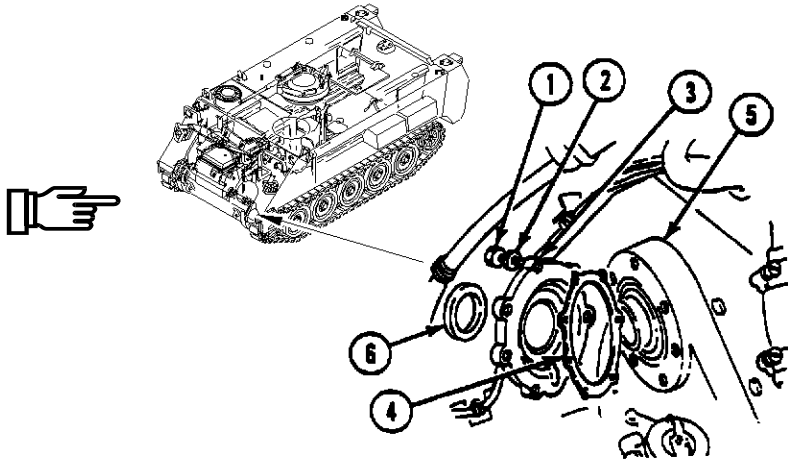
REMOVAL

1. Remove seven lock screws (1), washers (2), cover (3), and gasket (4) from final drive (5). Discard gasket and lock screws.
2. Remove seal (6) from cover (3). Discard seal.



INSTALLATION

1. Apply sealing compound to new seal (6). Install in cover (3) flush with surface of cover.
2. Apply a light coat of antiseize compound to threads of seven new lock screws (1).
3. Install new gasket (4) and cover (3) on final drive (5). Secure with seven new lock screws (1) and washers (2). **TORQUE SCREWS TO 21-25 LB-FT (28-34 N·m).**

**FOLLOW-THROUGH STEPS**

1. Install final drive yoke (WP 0405 00).
2. Install drive shaft (WP 0405 00).
3. Install hull front access cover (left final drive only) (WP 0449 00).
4. Close power plant access door. See TM 9-2350-277-10.
5. Remove blocks used to keep carrier from moving. See TM 9-2350-277-10.
6. Road test carrier to check final drive (WP 0155 00). Check for leaks around seal.

END OF TASK

CHAPTER 11

UNIT MAINTENANCE INSTRUCTIONS
FOR PROPELLER SHAFTS AND UNIVERSAL JOINTS

WORK PACKAGE INDEX

Title

Sequence No.

REPLACE PROPELLER SHAFT AND UNIVERSAL JOINTS.....0405 00

REPLACE PROPELLER SHAFT AND UNIVERSAL JOINTS

0405 00

THIS WORK PACKAGE COVERS:

Removal (page 0405 00-1).
 Installation (page 0405 00-3).

INITIAL SETUP:

Maintenance Level

Unit

Personnel Required

Mechanic

Helper (H)

Tools and Special Tools

General Mechanic's Tool Kit (WP 0926 00, Item 65)

Torque Wrench Adapter (WP 0926 00, Item 4)

Vise (WP 0926 00, Item 68)

Torque Wrench (WP 0926 00, Item 85)

References

TM 9-2350-277-10

Equipment Condition

Engine stopped (TM 9-2350-277-10)

Carrier blocked (TM 9-2350-277-10)

Power plant access door open (TM 9-2350-277-10)

Hull front access cover removed (WP 0449 00)

Materials/Parts

Screw (16)

Washer (16)

REMOVAL

NOTE

Procedure for replacement of propeller shafts and universal joints are the same for right and left side.

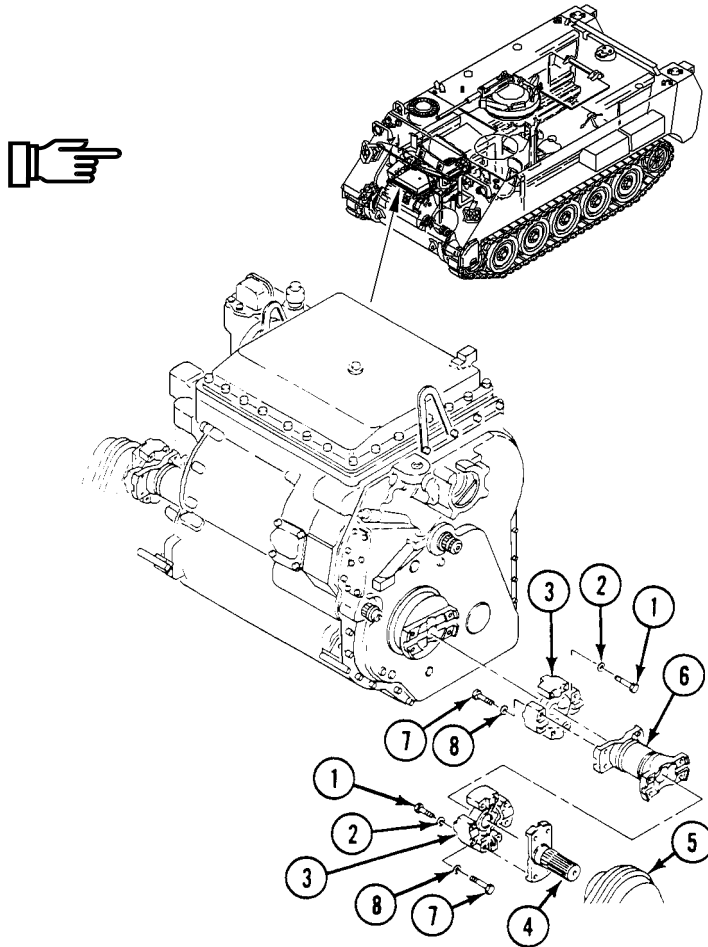
NOTE

Loosen accessible screws only enough to relieve torque. Move carrier to gain access to remaining screws.

REPLACE PROPELLER SHAFT AND UNIVERSAL JOINTS — Continued

0405 00

1. Remove eight screws (1) and washers (2) from universal joints (3) and slide yoke (4) into final drive (5). Discard screws and washers.
2. Remove propeller shaft (6) with universal joints (3) from carrier.
3. Position propeller shaft (6) in vise. Remove eight screws (7) and washers (8) from universal joints (3) and shaft. Discard screws and washers.
4. Remove yoke (4) from final drive (5).



INSTALLATION

NOTE

After installation of one propeller shaft, transmission will not rotate. A helper is required (with tanker bar) to move carrier to align holes of universal joint with yoke for installation of propeller shaft on the other side.

NOTE

If not replacing permanently lubricated universal joints, install two lube fittings in each universal joint.

NOTE

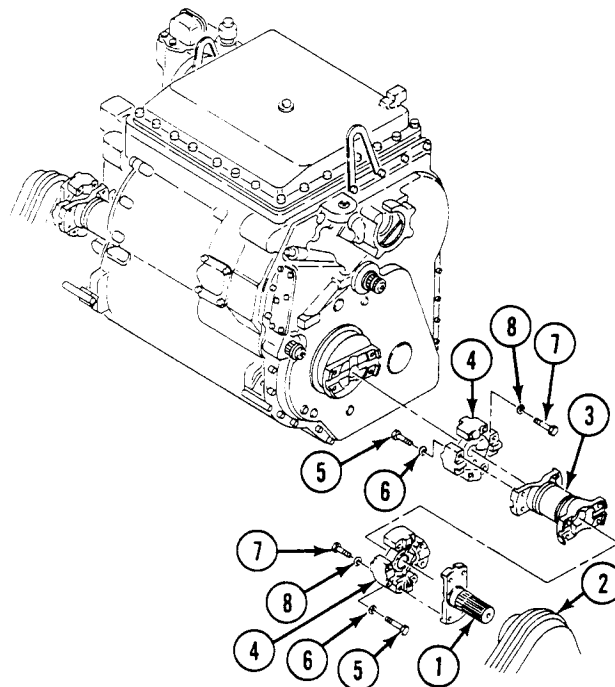
Screws and washers must be clean, dry, and free of lubricant and paint. Washers must be 5/32 inch (4 mm) hardened flat steel only.

1. Install yoke (1) in final drive (2).

NOTE

When using torque wrench with torque wrench adapter, torque value must be corrected. See WP 0155 00 for converting torque value.

2. Position propeller shaft (3) in vise and install universal joints (4) with eight new screws (5) and new washers (6). TORQUE SCREWS TO 86-94 LB-FT (117-127 N·m). LOOSEN SCREWS, THEN TORQUE AGAIN TO 86-94 LB-FT (117-127 N·m).
3. Position propeller shaft (3) with universal joints and secure to transmission and final drive (2) with eight new screws (7) and new washers (8). TORQUE SCREWS TO 86-94 LB-FT (117-127 N·m). LOOSEN SCREWS, THEN TORQUE AGAIN TO 86-94 LB-FT (117-127 N·m).



NOTE

Perform Step 4 if permanently lubricated universal joints have not been installed.

4. Lubricate universal joints (WP 0155 00).

FOLLOW-THROUGH STEPS

1. Install hull front access cover (WP 0449 00).
2. Close power plant access door. See TM 9-2350-277-10.

END OF TASK

CHAPTER 12

UNIT MAINTENANCE INSTRUCTIONS
FOR BRAKES

WORK PACKAGE INDEX

<u>Title</u>	<u>Sequence No.</u>
CHECK TRANSMISSION BRAKE ADJUSTMENT.....	.0406 00
ADJUST SERVICE BRAKE CONTROL LINKAGE.....	.0407 00
ADJUST PARKING BRAKE0408 00
REPLACE UPPER AND LOWER SERVICE BRAKE PEDAL.....	.0409 00
REPLACE SERVICE BRAKE CONTROL LINKAGE0410 00
REPLACE PARKING BRAKE CONTROL CABLE ASSEMBLY.....	.0411 00
REPLACE PARKING BRAKE CONTROL LEVER ASSEMBLY0412 00

CHECK TRANSMISSION BRAKE ADJUSTMENT

0406 00

THIS WORK PACKAGE COVERS:

Check brake adjustment (page 0406 00-1).

INITIAL SETUP:

Maintenance Level

Unit

References

TM 9-2350-277-10

Tools and Special Tools

General Mechanic's Tool Kit (WP 0926 00, Item 65)
Torque Wrench (WP 0926 00, Item 85)

Equipment Condition

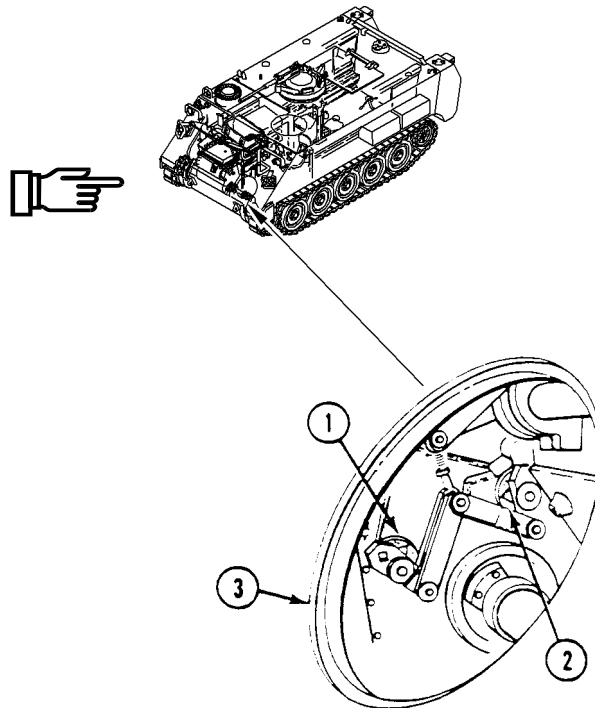
Engine stopped (TM 9-2350-277-10)
Carrier blocked (TM 9-2350-277-10)
Power plant access door open (TM 9-2350-277-10)
Hull front access cover removed (WP 0449 00)
Parking brake released (TM 9-2350-277-10)

Personnel Required

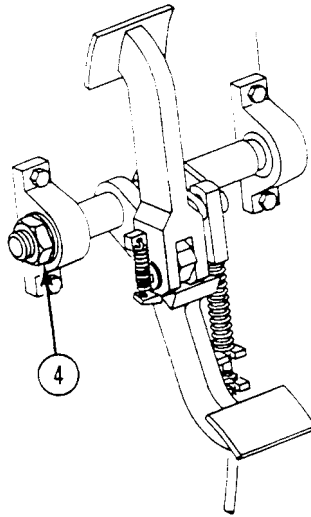
Mechanic
Helper (H)

CHECK BRAKE ADJUSTMENT

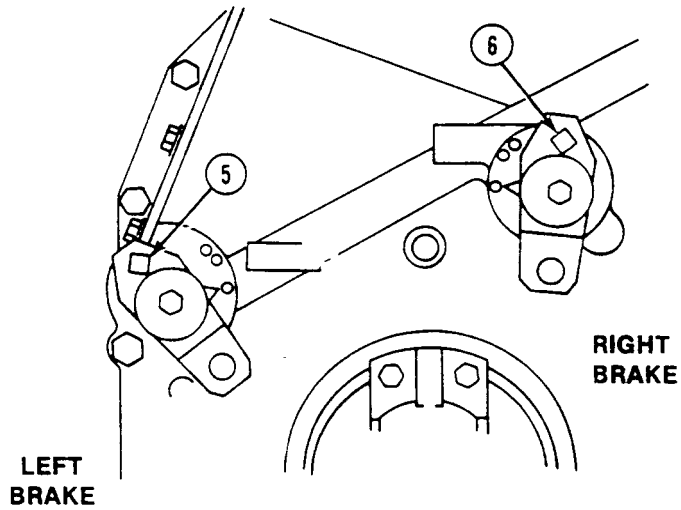
1. (H) Start engine and allow to warm up. See TM 9-2350-277-10.
2. Watch brake shaft indicators (1) and (2) through power plant front access hole (3).



3. (H) Apply 104 lb-ft (141 N.m) torque to brake shaft nut (4).



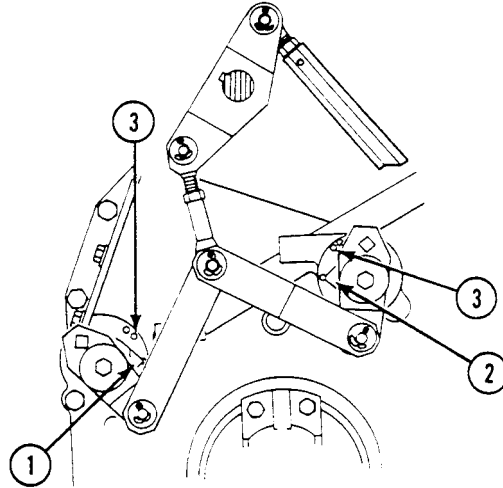
4. If transmission is not in the carrier or if the linkage is not connected to the transmission, apply 40 lb-ft (54 N.m) torque to arms (5) and (6).



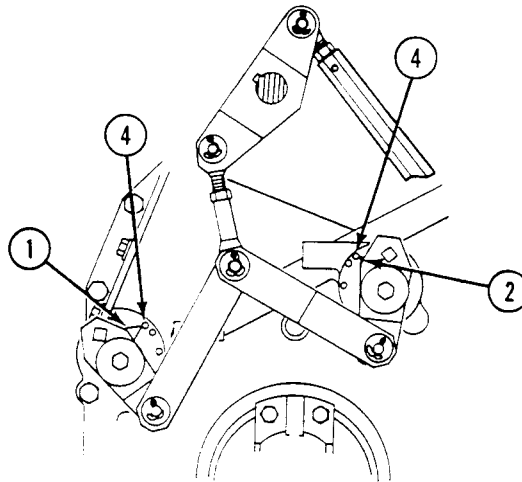
CHECK TRANSMISSION BRAKE ADJUSTMENT — Continued

0406 00

5. Note position of indicators (1) and (2). If indicators stop before APPLY mark (3), check brake linkage adjustment and adjust brakes (WP 0394 00).



6. If indicators (1) and (2) indicate or go past ADJUST mark (4), adjust brakes (WP 0394 00).



FOLLOW-THROUGH STEPS

1. Apply parking brake. See TM 9-2350-277-10.
2. Install hull front access cover (WP 0449 00).
3. Close power plant access door. See TM 9-2350-277-10.

END OF TASK

ADJUST SERVICE BRAKE CONTROL LINKAGE

0407 00

THIS WORK PACKAGE COVERS:

Adjustment (page 0407 00-1).

INITIAL SETUP:

Maintenance Level

Unit

References

TM 9-2350-277-10

Tools and Special Tools

General Mechanic's Tool Kit (WP 0926 00, Item 65)

Equipment Condition

Engine stopped (TM 9-2350-277-10)

Carrier blocked (TM 9-2350-277-10)

Power plant access door open (TM 9-2350-277-10)

Driver's power plant access panel removed
(WP 0441 00)

Hull front access cover removed (WP 0449 00)

Transmission brake adjustment checked (WP 0406 00)

Materials/Parts

Cotter pin

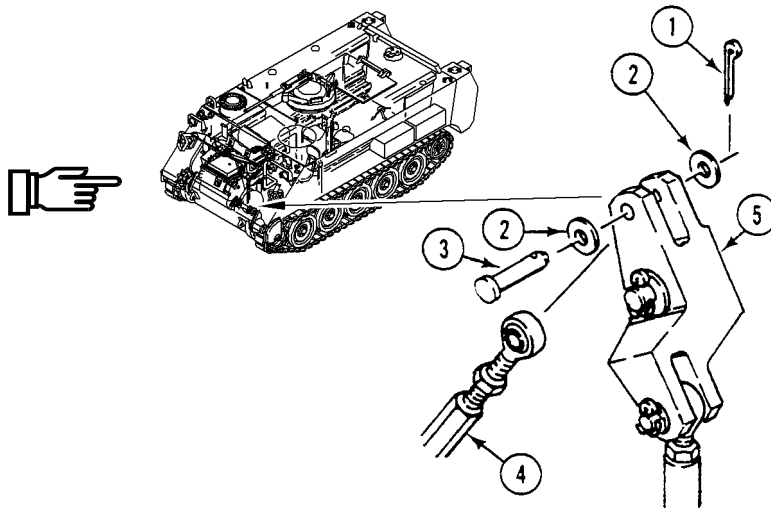
Personnel Required

Mechanic

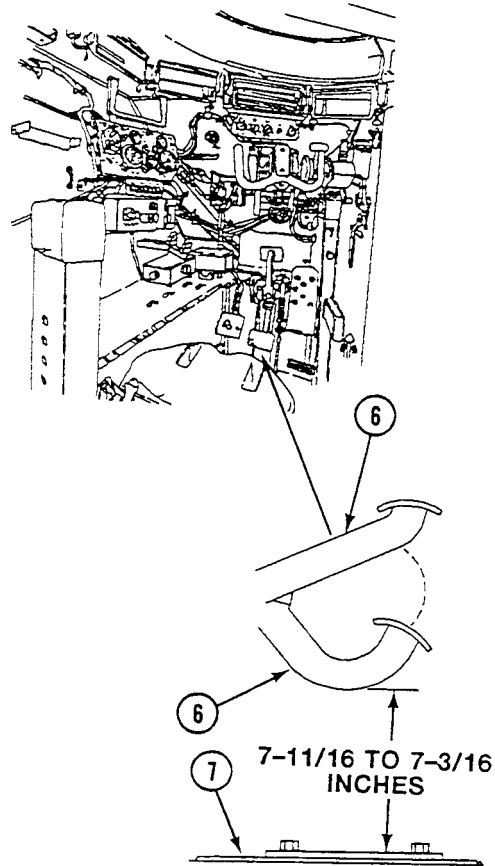
Helper (H)

ADJUSTMENT

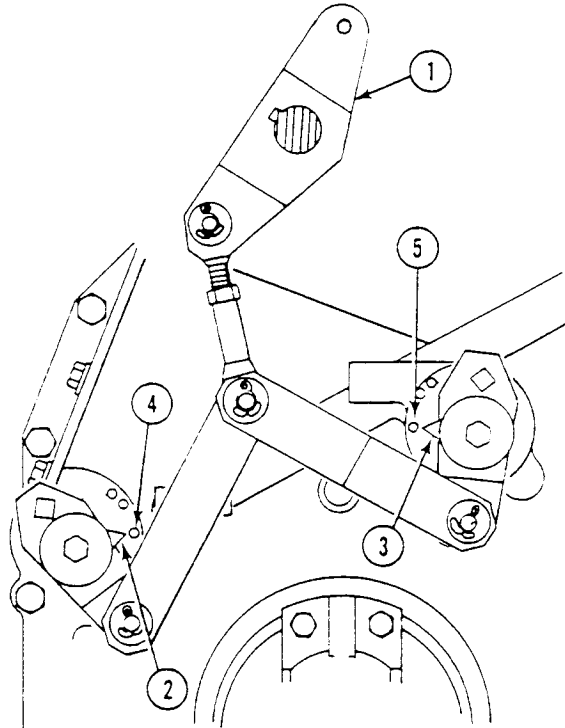
1. Remove cotter pin (1), two washers (2), clevis pin (3), and linkage rod (4) from cross-shaft link (5). Discard cotter pin.



2. (H) Hold lower brake pedal (6) in OFF position, 7-11/16 to 7-3/16 inches (19.5 to 18.3 cm) above driver's floor plate (7).

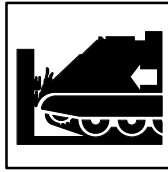


3. Move cross-shaft link (1) until left and right hand brake apply shaft indicators (2) and (3) point to lowest marks on transmission casing (4) and (5).



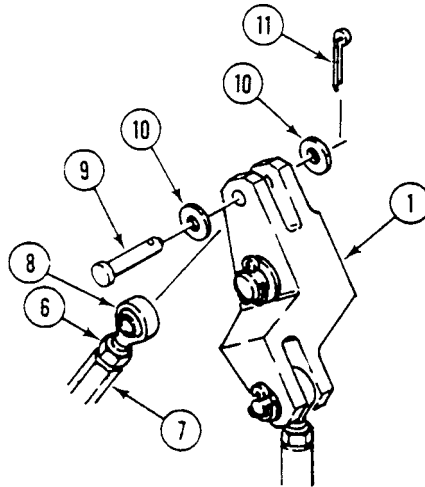
4. Loosen jam nut (6) on linkage rod (7). Install rod on cross-shaft link (1).
5. Adjust length of linkage rod (7) by turning rod end bearing (8) until clevis pin (9) inserts freely into bearing and cross-shaft link (1). Tighten jam nut (6).

WARNING



Failure of control linkage can cause carrier to crash. Crash could kill or injure personnel.

6. Secure linkage rod end bearing (8) to cross-shaft link (1) with two washers (10), clevis pin (9), and new cotter pin (11).



FOLLOW-THROUGH STEPS

1. Install hull front access cover ().
2. Install driver's power plant access panel ().
3. Close power plant access door. See TM 9-2350-277-10.

END OF TASK

ADJUST PARKING BRAKE

0408 00

THIS WORK PACKAGE COVERS:

Adjustment (page 0408 00-1).

INITIAL SETUP:

Maintenance Level

Unit

Personnel Required

Unit Mechanic

Tools and Special Tools

General Mechanic's Tool Kit (WP 0926 00, Item 65)

References

See your -10

Materials/Parts

Cotter pin

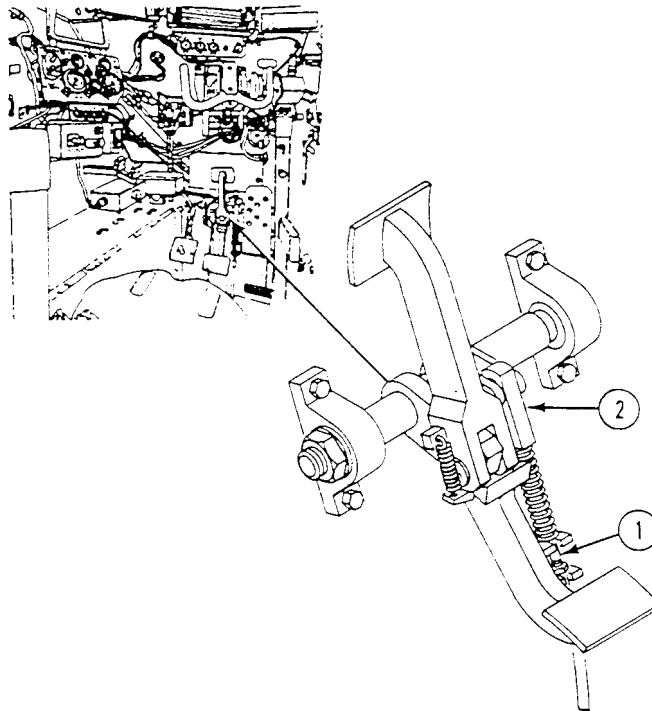
Equipment Condition

Engine stopped (see your -10)

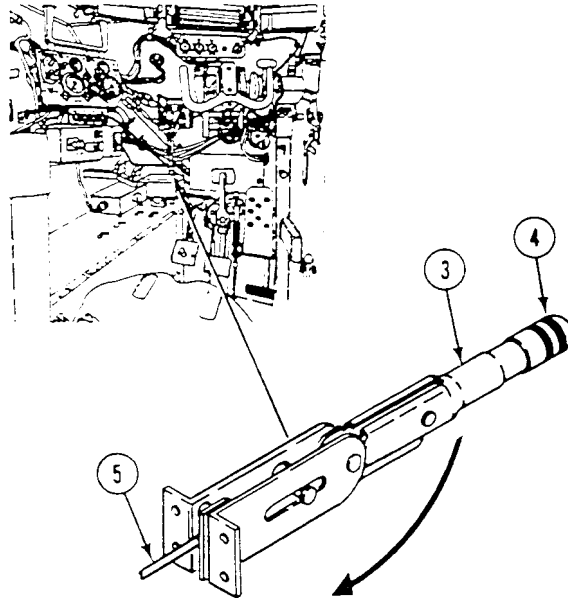
Carrier blocked (see your -10)

ADJUSTMENT

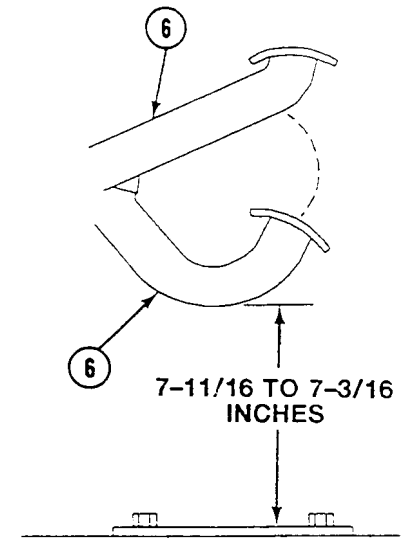
1. Check for 3/4 inch (1.9 cm) minimum thread engagement of cable (1) and stop (2). If you find 3/4 inch (1.9 cm) minimum thread engagement, go to Step 8 below. If not, do Steps 1 - 9 below.



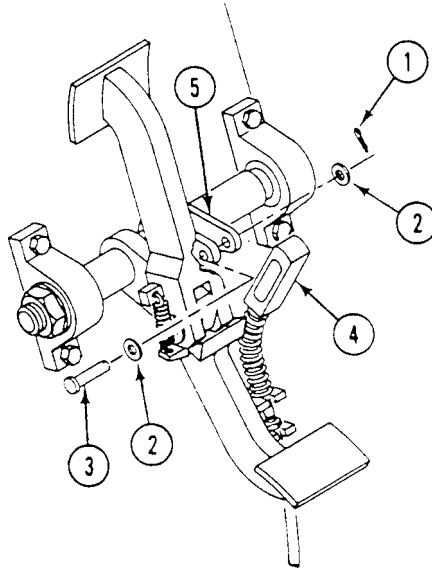
2. Position parking lever (3) in full off position by pushing lever handle down.
3. Turn brake lever adjustment knob (4) on end of lever (3) to the left to allow full slack in control assembly cable (5).



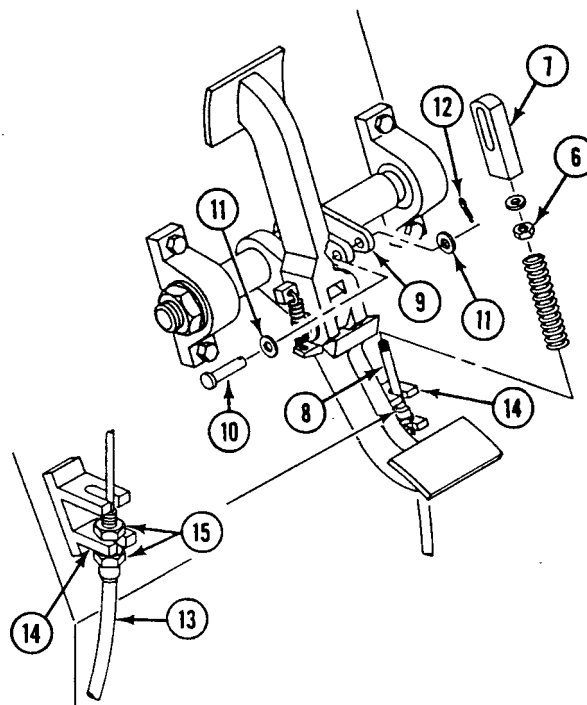
4. Position brake lower pedal (6) in full off position, 7-11/16 to 7-3/16 inches (19.5 to 18.3 cm) above the driver's floor plate.



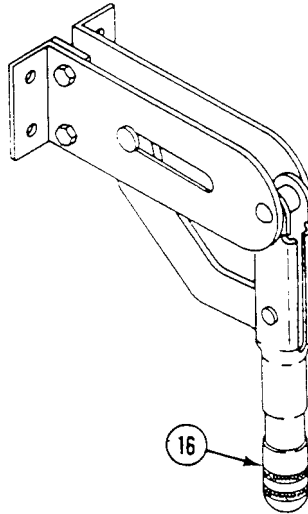
5. Remove cotter pin (1), two washers (2), and clevis pin (3) that connect control assembly cable stop (4) to lever link (5). Disconnect cable stop from link. Discard cotter pin.



6. Loosen jam nut (6). Allow 3/4 inch (1.9 cm) minimum thread engagement of cable stop (7) on cable end (8). Tighten jam nut against cable stop.
7. Connect cable stop (7) to lever link (9). Secure with clevis pin (10), flat washer (11), and new cotter pin (12).
8. Adjust control assembly cable (13) in bracket (14) by turning two jam nuts (15) until end of cable stop slot (7) is against clevis pin (10) (installed in Step 7) or as close as thread adjustment allows. Tighten both jam nuts.



9. Turn brake lever adjustment knob (16) to the right to bring cable stop against clevis pin.

**FOLLOW-THROUGH STEPS**

1. Apply parking brake (see your -10).

END OF TASK

REPLACE UPPER AND LOWER SERVICE BRAKE PEDAL

0409 00

THIS WORK PACKAGE COVERS:

Removal (page 0409 00-1).
 Installation (page 0409 00-6).

INITIAL SETUP:

Maintenance Level

Unit

Personnel Required

Mechanic

Helper (H)

Tools and Special Tools

General Mechanic's Tool Kit (WP 0926 00, Item 65)

Lubricating Gun (WP 0926 00, Item 29)

References

TM 9-2350-277-10

WP 0155 00

Materials/Parts

Cotter pin (3)

Cotter pin

Grommet

Key

Locknut

Lockwasher (4)

Mount bearing (2)

Equipment Condition

Engine stopped (TM 9-2350-277-10)

Carrier blocked (TM 9-2350-277-10)

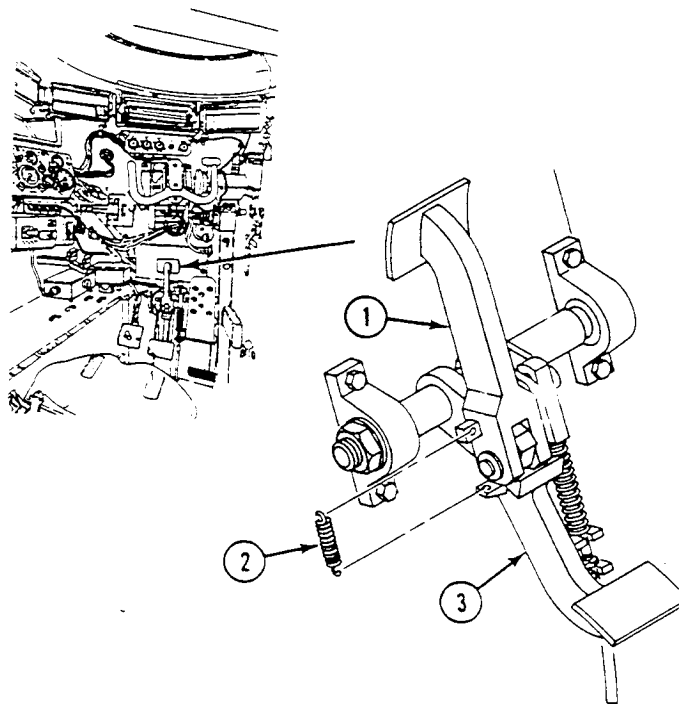
Power plant access door open (TM 9-2350-277-10)

Driver's power plant access panel removed
 (WP 0441 00)

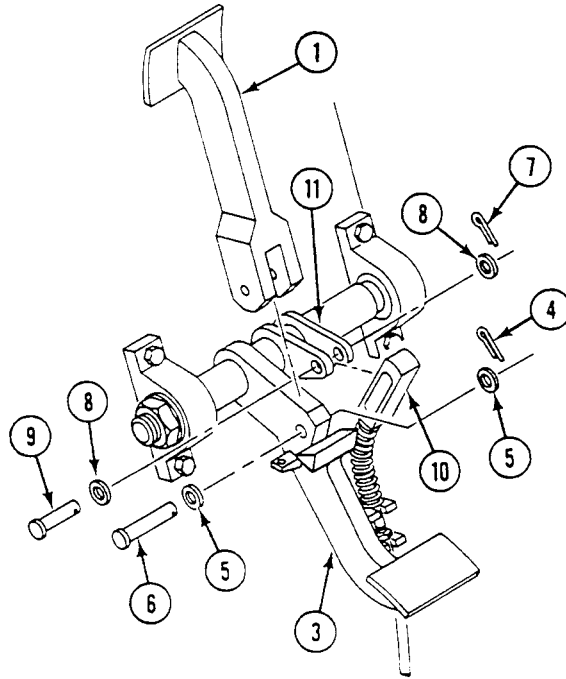
Hull front access cover removed (WP 0449 00)

REMOVAL

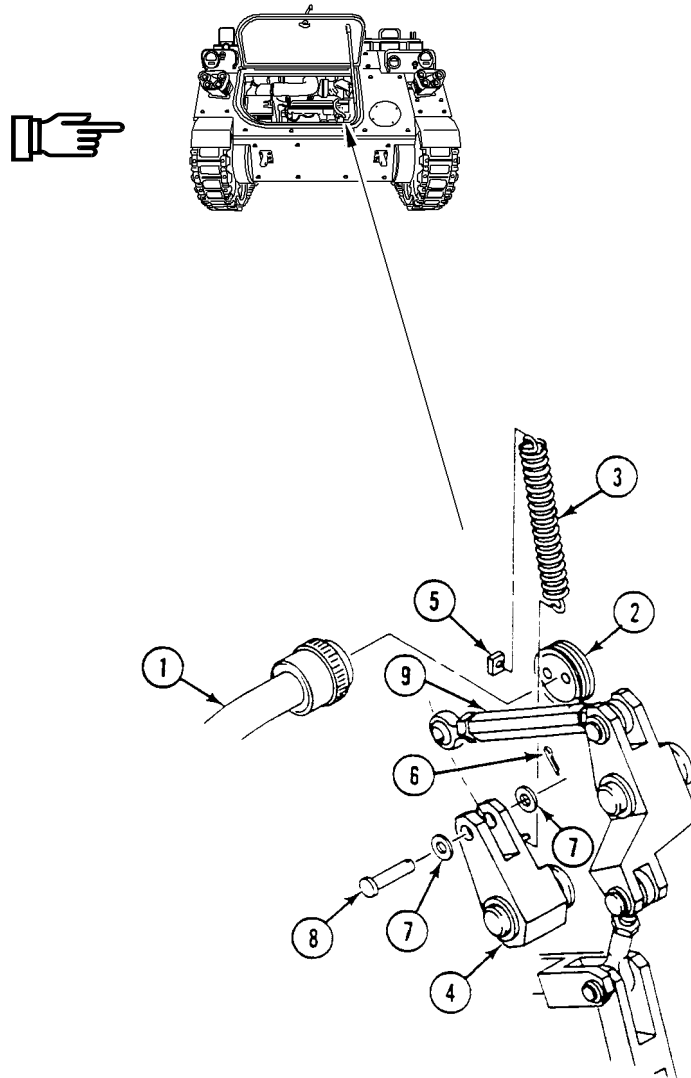
1. Pull upper brake pedal (1) to upper position. Remove spring (2) that connects both upper and lower brake pedals (1) and (3).



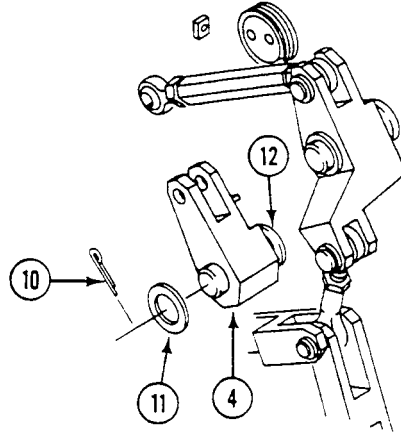
2. Remove cotter pin (4), two washers (5), and clevis pin (6) from upper and lower brake pedals (1) and (3). Remove upper pedal from lower pedal. Discard cotter pin.
3. Remove cotter pin (7), two washers (8), clevis pin (9), and cable stop (10) from lower brake pedal lever (11). Discard cotter pin.



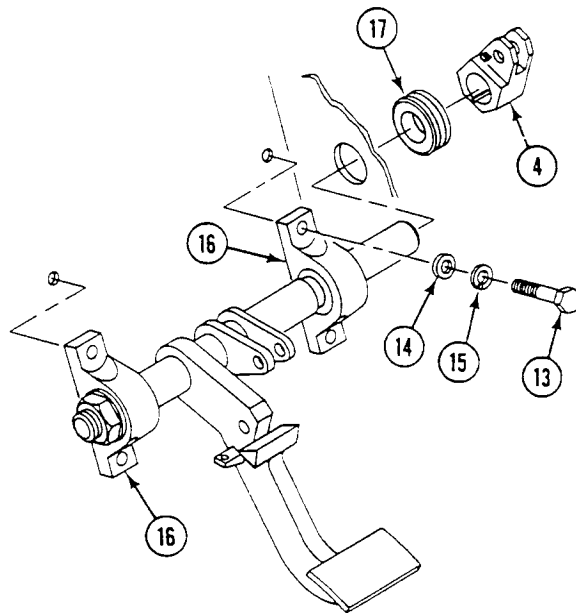
4. Disconnect starter cannon plug (1) from power plant compartment bulkhead receptacle connector (2).
5. Remove release spring (3) from link (4) and power plant compartment bulkhead tab (5).
6. Remove cotter pin (6), two washers (7), clevis pin (8), and linkage rod (9) from link (4). Discard cotter pin.



7. Remove cotter pin (10) and washer (11) from link (4) and shaft (12). Slide link as far off shaft as possible. Discard cotter pin.

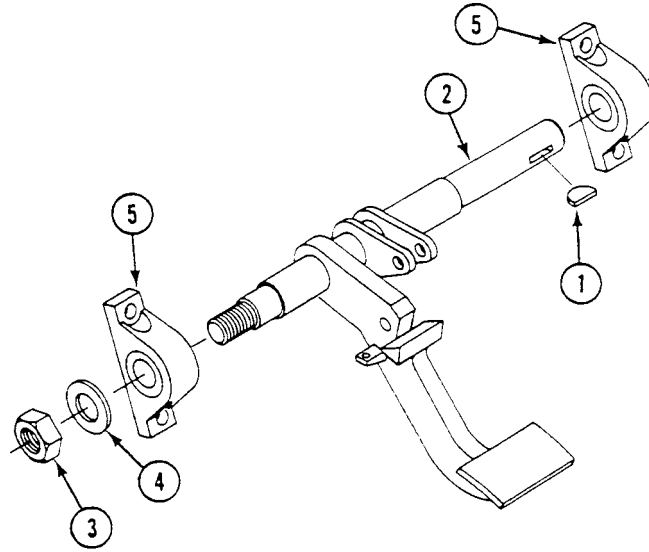


8. Remove four screws (13), washers (14), and lockwashers (15) from two mount bearings (16). Discard lockwashers.
9. Remove shaft with attached bearings (16) from driver's compartment. Have helper assist to catch link (4) in power plant front access hole. Remove grommet (17) from driver's compartment bulkhead. Discard grommet. Remove shaft assembly from carrier.



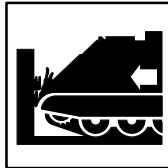
REPLACE UPPER AND LOWER SERVICE BRAKE PEDAL — Continued**0409 00**

10. Remove key (1) from shaft (2). Discard key.
11. Remove locknut (3) and washer (4) from shaft (2). Discard locknut.
12. Slide attached mount bearings (5) off shaft (2). Discard bearings.



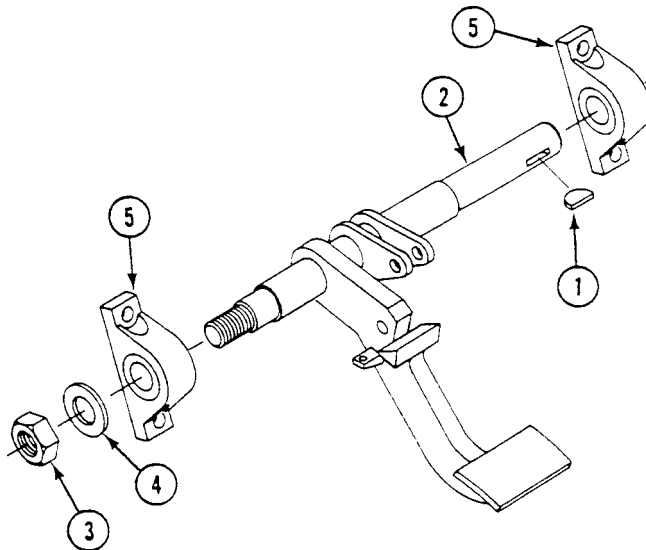
INSTALLATION

1. Grease two new mount bearings (5) (WP 0155 00).
2. Install two mount bearings (5) on shaft (2).

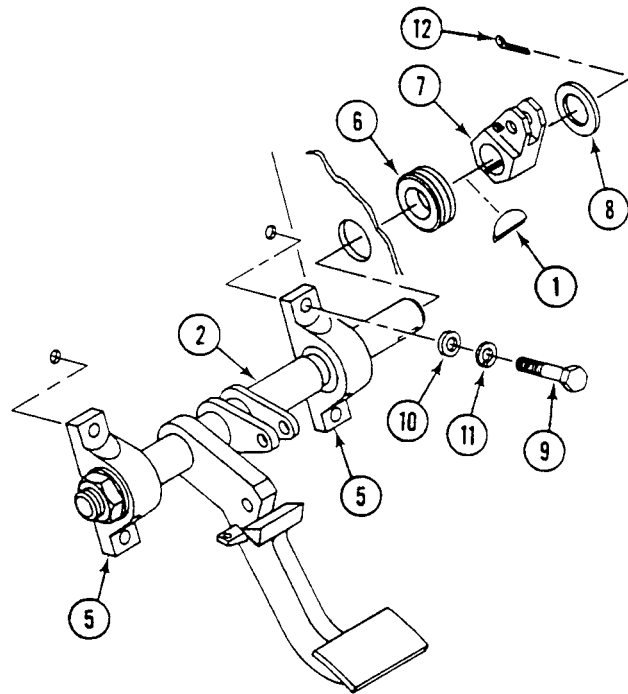
WARNING

Failure of control linkage can cause carrier to crash. Crash could kill or injure personnel.

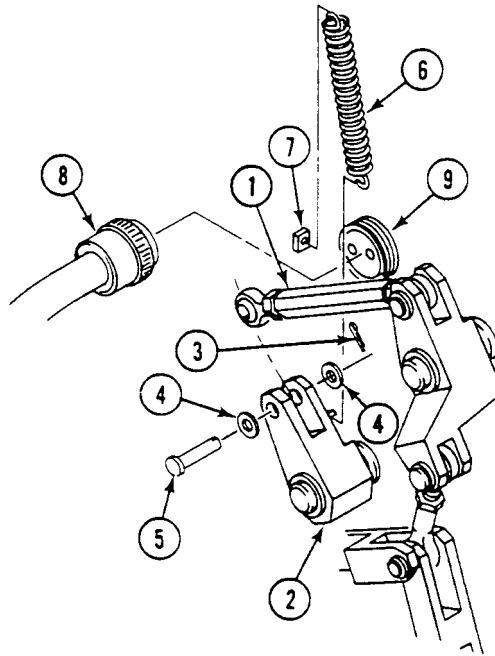
3. Install new locknut (3) and washer (4) on left side of shaft (2).



4. Slide shaft (2) into driver's compartment bulkhead. Install new grommet (6) on shaft. Install grommet in bulkhead.
5. Install new key (1) on shaft (2).
6. (H) Install link (7) and washer (8) on shaft (2).
7. Install two mount bearings (5) on driver's compartment floor. Secure with four screws (9), washers (10), and new lockwashers (11).
8. (H) Secure link (7) to shaft (2) with new cotter pin (12).



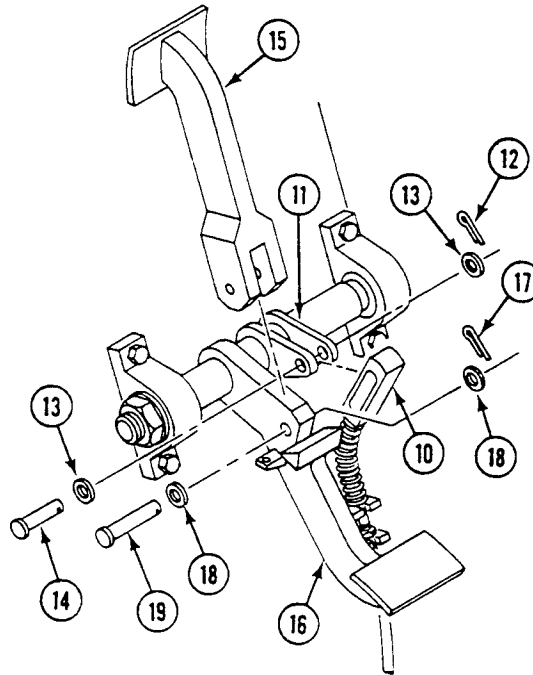
9. Install linkage rod (1) on cross-shaft link (2). Secure with new cotter pin (3), two washers (4), and clevis pin (5).
10. Install release spring (6) on link (2) and power plant bulkhead tab (7).
11. Install starter cannon plug (8) on power plant bulkhead receptacle connector (9).



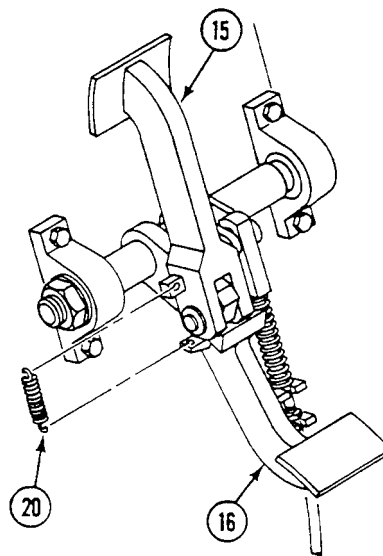
REPLACE UPPER AND LOWER SERVICE BRAKE PEDAL — Continued

0409 00

12. Install cable stop (10) on lower brake pedal lever (11) in driver's compartment. Secure with new cotter pin (12), two washers (13), and clevis pin (14).
13. Install upper brake pedal (15) on lower brake pedal (16). Secure with new cotter pin (17), two washers (18), and clevis pin (19).



14. Pull upper brake pedal (15) to upper position. Install spring (20) on upper and lower brake pedals (15) and (16).



FOLLOW-THROUGH STEPS

1. Adjust service brake control linkage (WP 0407 00).
2. Install hull front access cover (WP 0449 00).
3. Install driver's power plant access panel (WP 0441 00).
4. Close power plant access door. See TM 9-2350-277-10.

END OF TASK

REPLACE SERVICE BRAKE CONTROL LINKAGE

0410 00

THIS WORK PACKAGE COVERS:

Removal (page 0410 00-2).
 Installation (page 0410 00-7).

INITIAL SETUP:

Maintenance Level

Unit

Personnel Required

Mechanic

Helper (H)

Tools and Special Tools

General Mechanic's Tool Kit (WP 0926 00, Item 65)

Crowfoot Attachment (WP 0926 00, Item 15)

Vise (WP 0926 00, Item 68)

Socket Wrench Set (WP 0926 00, Item 72)

Torque Wrench (WP 0926 00, Item 85)

References

TM 9-2350-277-10

Equipment Condition

Engine stopped (TM 9-2350-277-10)

Carrier blocked (TM 9-2350-277-10)

Power plant access door open (TM 9-2350-277-10)

Hull front access cover removed (WP 0449 00)

Materials/Parts

Cotter pin

Cotter pin (6)

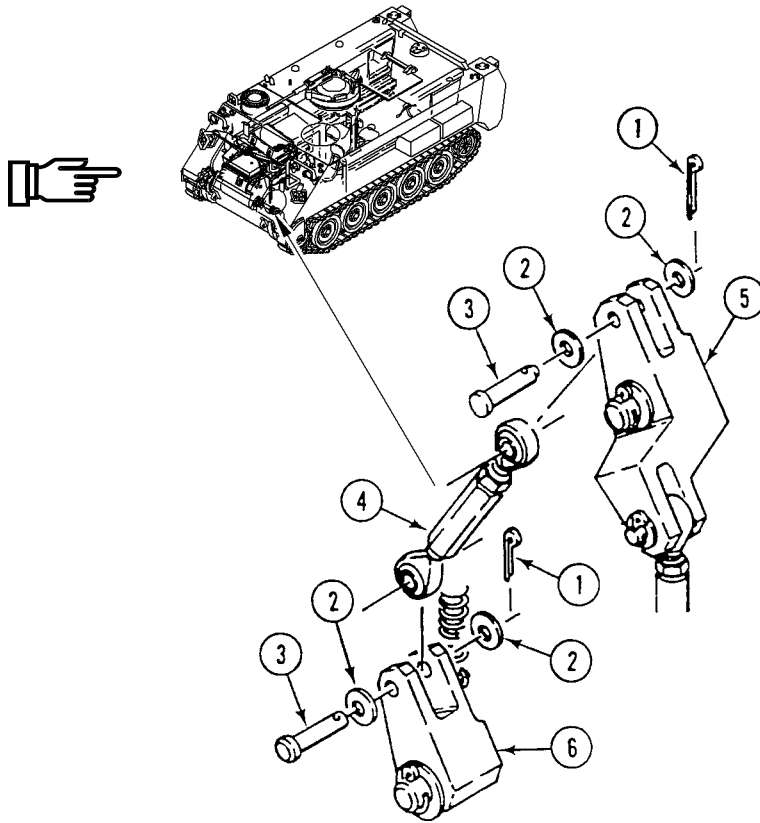
Key

Locknut

Lockwasher (2)

REMOVAL

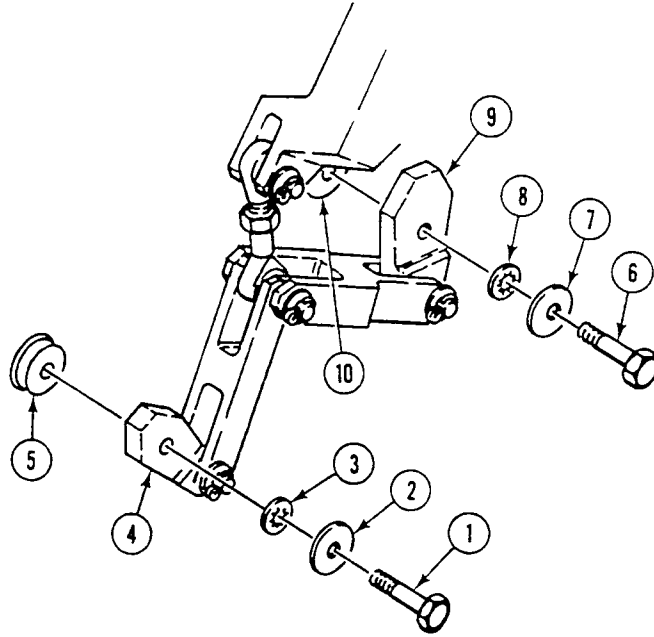
1. Remove two cotter pins (1), four washers (2), two clevis pins (3), and linkage rod (4) from cross-shaft link (5) and link (6). Discard two cotter pins.



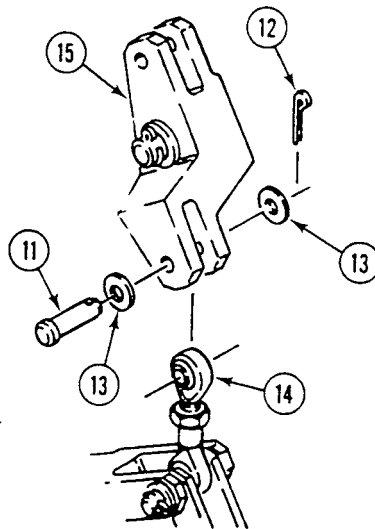
REPLACE SERVICE BRAKE CONTROL LINKAGE — Continued

0410 00

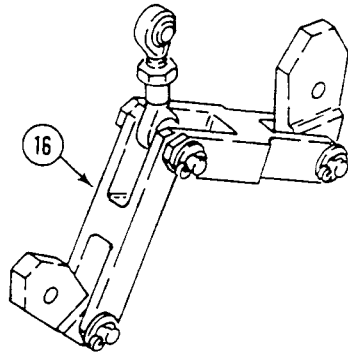
2. Remove screw (1), washer (2), and lockwasher (3) from brake arm (4) and left hand brake apply shaft (5). Discard lockwasher.
3. Remove screw (6), washer (7), and lockwasher (8) from brake arm (9) and right hand brake apply shaft (10). Discard lockwasher.



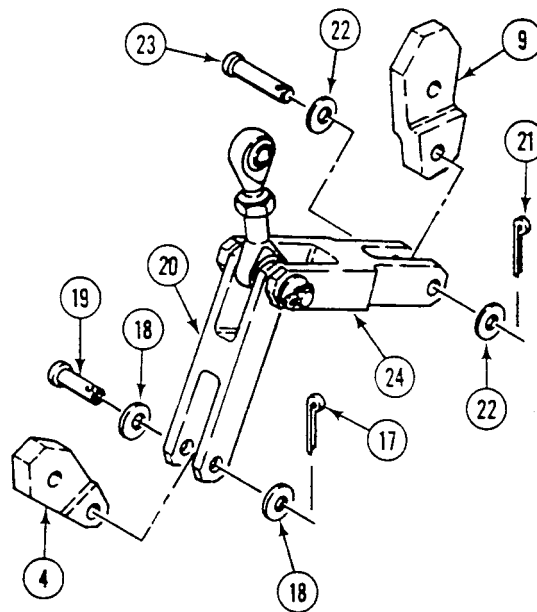
4. Remove clevis pin (11), cotter pin (12), two washers (13), and rod bearing (14) from cross-shaft link (15). Discard cotter pin.



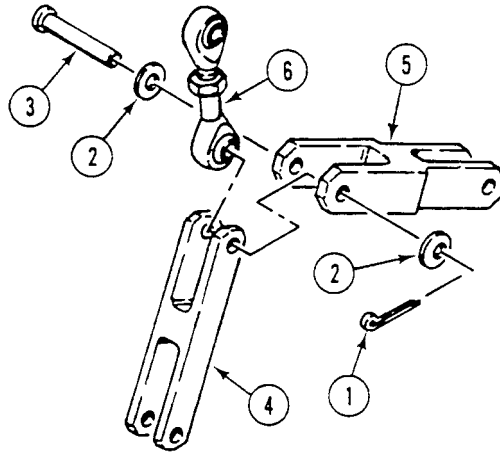
5. Remove hand brake arm and link assembly (16) from carrier.



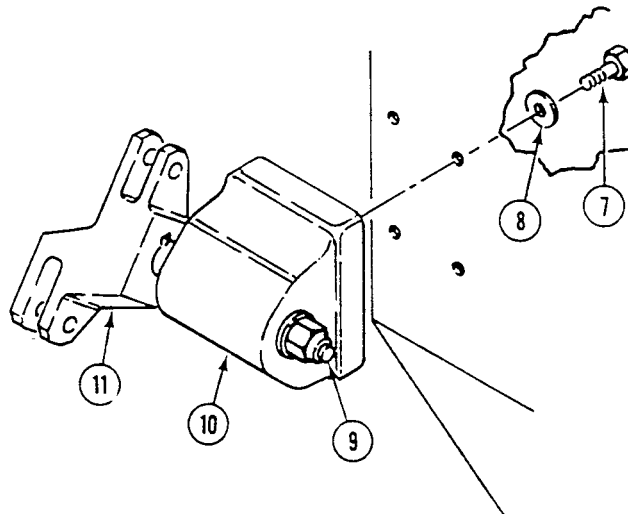
6. Remove cotter pin (17), two washers (18), clevis pin (19), and left hand brake arm (4) from link (20). Discard cotter pin.
7. Remove cotter pin (21), two washers (22), clevis pin (23), and right hand brake arm (9) from link (24). Discard cotter pin.



8. Remove cotter pin (1), two washers (2), clevis pin (3), and two links (4) and (5) from rod (6). Discard cotter pin.



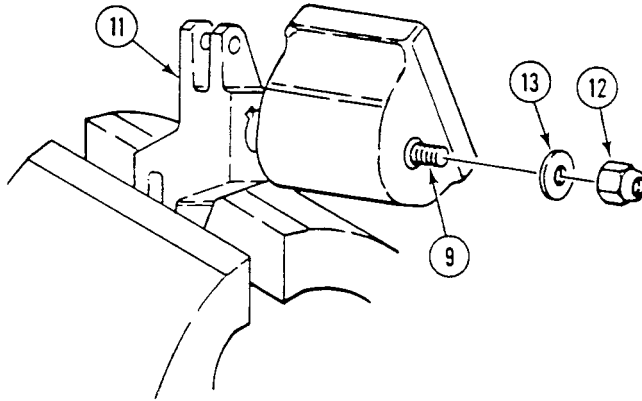
9. Remove four screws (7) and washers (8) from bearing unit and driver's compartment bulkhead. Remove shaft (9), journal bearing (10), and link (11) from hull. Have helper assist.



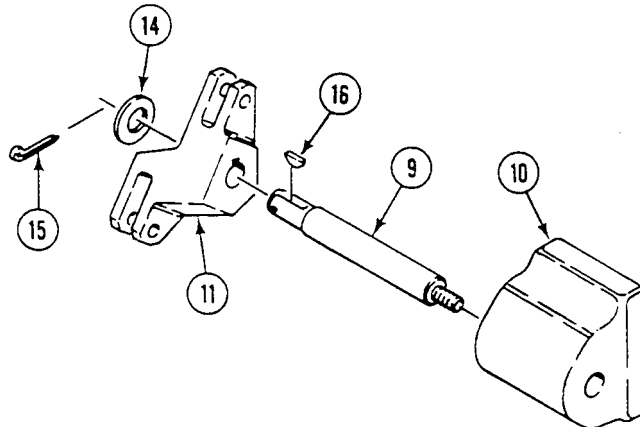
CAUTION

Take care not to damage parts when using vise.

10. Place link (11) in vise. Remove locknut (12) and washer (13) from shaft (9). Discard locknut.



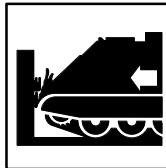
11. Take link (11) out of vise. Remove washer (14) and cotter pin (15) from shaft (9). Discard cotter pin.
12. Remove link (11) from shaft (9).
13. Remove key (16) from shaft (9). Discard key.
14. Remove journal bearing (10) from shaft (9).



INSTALLATION

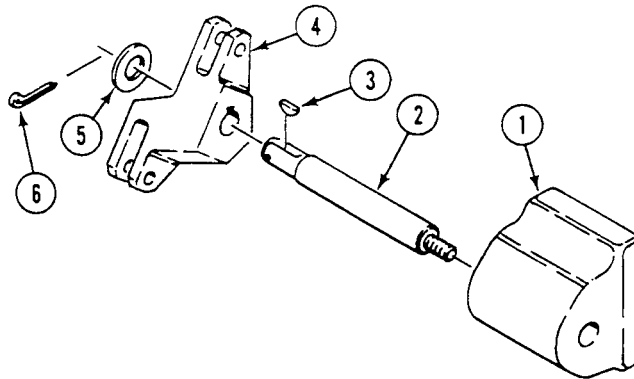
1. Install journal bearing (1) on shaft (2).
2. Install new key (3) in shaft (2).

WARNING



Failure of control linkage can cause carrier to crash. Crash could kill or injure personnel.

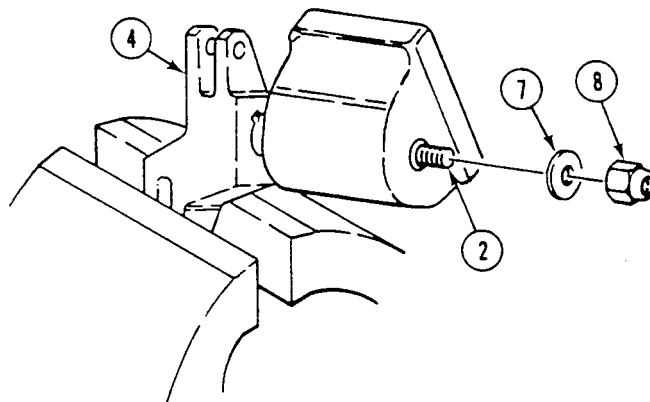
3. Install link (4) on shaft (2). Secure with washer (5) and new cotter pin (6).



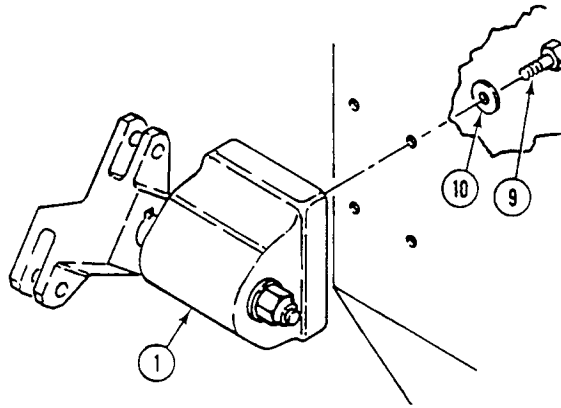
CAUTION

Take care not to damage parts when using vise.

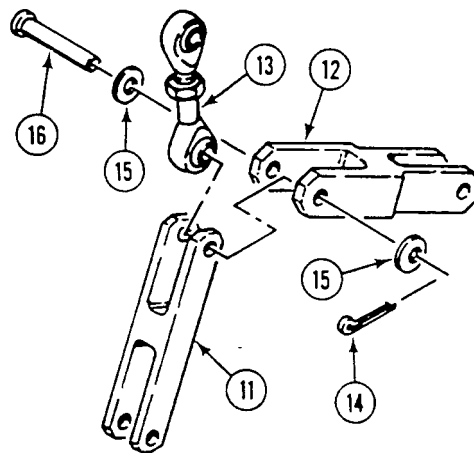
4. Put link (4) in vise. Install washer (7) and new locknut (8) on right side of shaft (2).



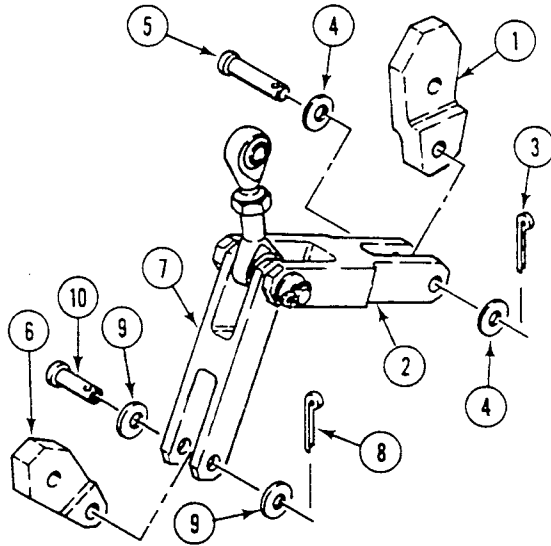
5. Install journal bearing (1) on hull. Secure with four screws (9), and washers (10). Have helper assist.



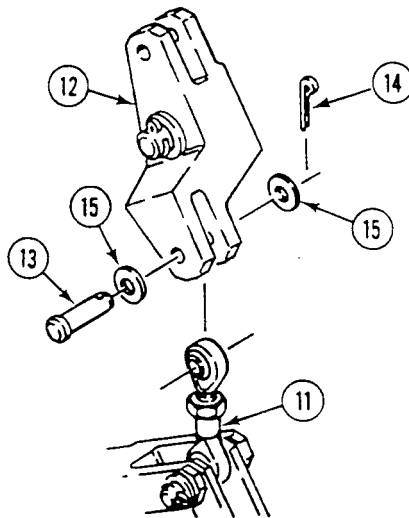
6. Install two links (11) and (12) on rod (13). Secure with new cotter pin (14), two washers (15), and clevis pin (16).



7. Install right hand brake arm (1) on link (2). Secure with new cotter pin (3), two washers (4), and clevis pin (5).
8. Install left hand brake arm (6) on link (7). Secure with new cotter pin (8), two washers (9), and clevis pin (10).



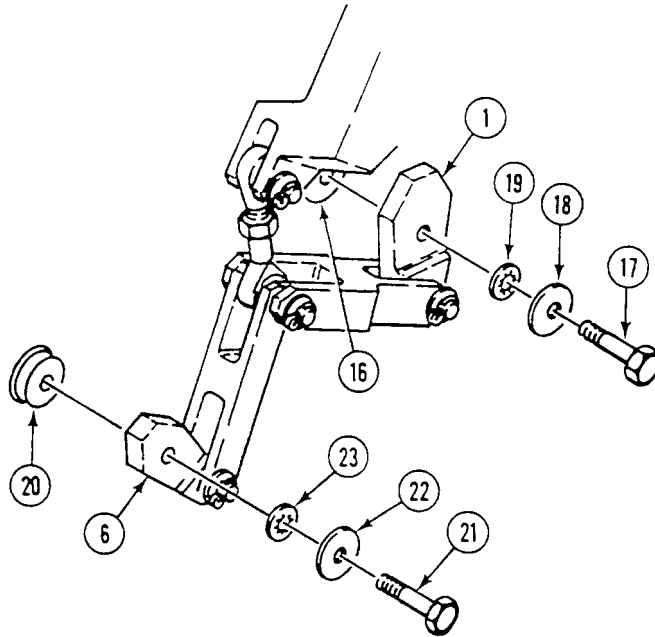
9. Install rod bearing (11) on cross-shaft link (12). Secure with clevis pin (13), new cotter pin (14), and two washers (15).



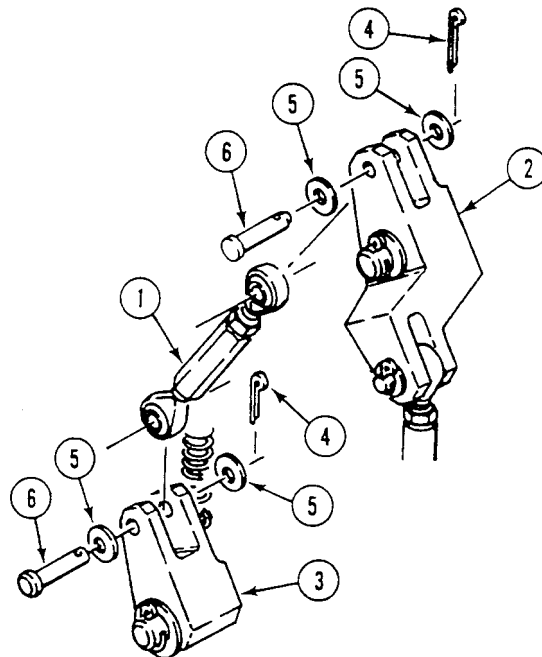
REPLACE SERVICE BRAKE CONTROL LINKAGE — Continued

0410 00

10. Install brake arm (1) on right hand apply shaft (16). Secure with screw (17), washer (18), and new lockwasher (19). TORQUE SCREW TO 25-27 LB-FT (34-37 N·m). Use torque wrench.
11. Install brake arm (6) on left hand apply shaft (20). Secure with screw (21), washer (22), and new lockwasher (23). TORQUE SCREW TO 25-27 LB-FT (34-37 N·m). Use torque wrench.

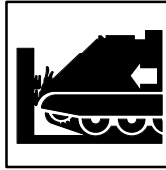


12. Install linkage rod (1) on cross-shaft link (2) and link (3). Secure with two new cotter pins (4), four washers (5), and two clevis pins (6).



FOLLOW-THROUGH STEPS

WARNING



Failure of brake control linkage can cause carrier to crash. Crash could kill or injure personnel.

1. Adjust service brake control linkage (WP 0407 00).
2. Install hull front access cover (WP 0449 00).
3. Close power plant access door. See TM 9-2350-277-10.

END OF TASK

REPLACE PARKING BRAKE CONTROL CABLE ASSEMBLY

0411 00

THIS WORK PACKAGE COVERS:

Removal (page 0411 00-1).
 Installation (page 0411 00-5).

INITIAL SETUP:

Maintenance Level

Unit

Personnel Required

Mechanic

Helper (H)

Tools and Special Tools

General Mechanic's Tool Kit (WP 0926 00, Item 65)

Equipment Condition

Engine stopped (TM 9-2350-277-10)

Carrier blocked (TM 9-2350-277-10)

Hull front access cover removed (WP 0449 00)

Materials/Parts

Cotter pin

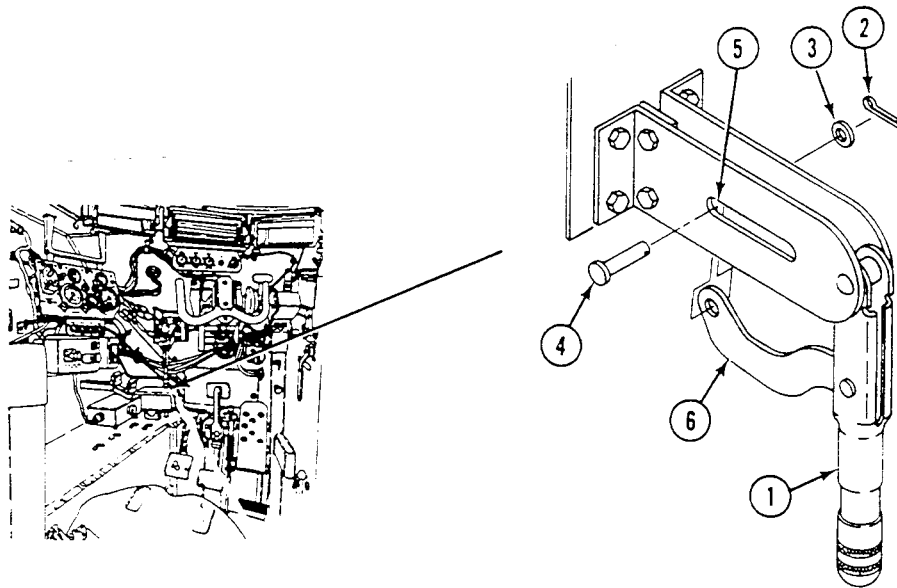
Cotter pin

Locknut (2)

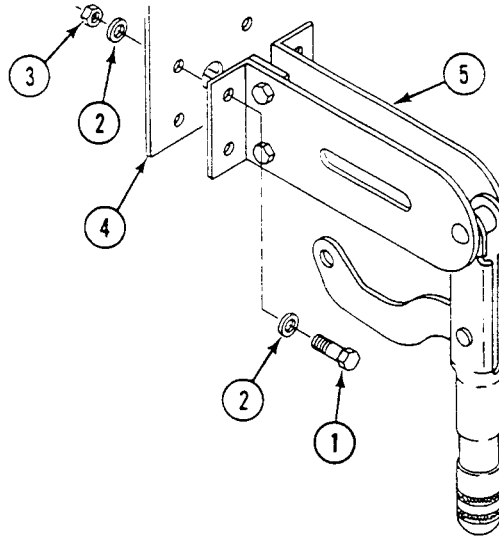
Locknut (4)

REMOVAL

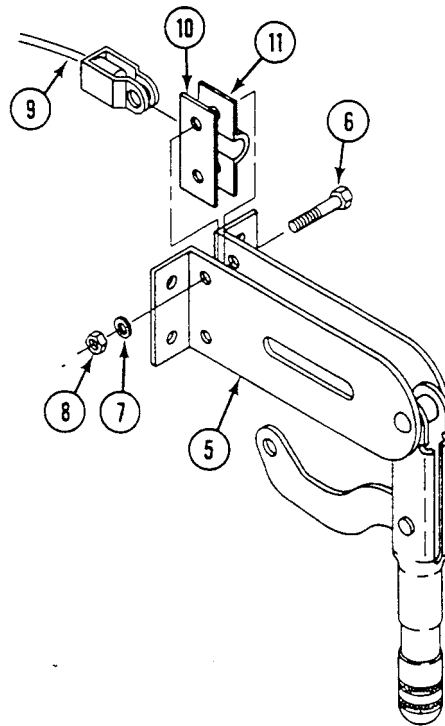
1. Push parking brake lever (1) down into OFF position.
2. Remove cotter pin (2), washer (3), and clevis pin (4) from cable clevis (5) and lever link (6). Disconnect link from cable. Discard cotter pin.



3. Remove four screws (1), eight washers (2), and four locknuts (3) from mounting bracket (4). Remove lever (5) from bracket. Discard locknuts.



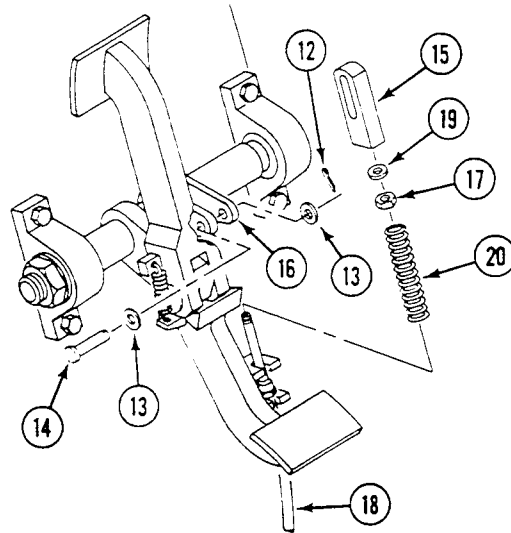
4. Remove two screws (6), washers (7), locknuts (8), cable (9), spacer (10), and clamp (11) from lever (5). Discard locknuts.



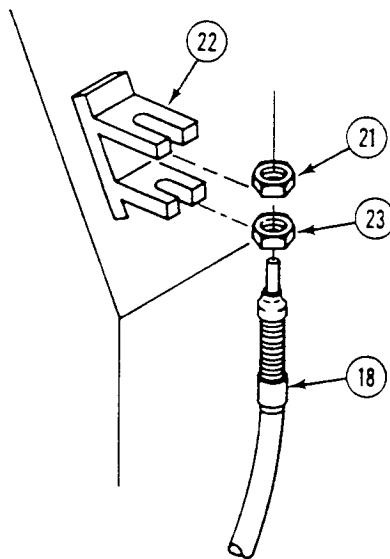
REPLACE PARKING BRAKE CONTROL CABLE ASSEMBLY — Continued

0411 00

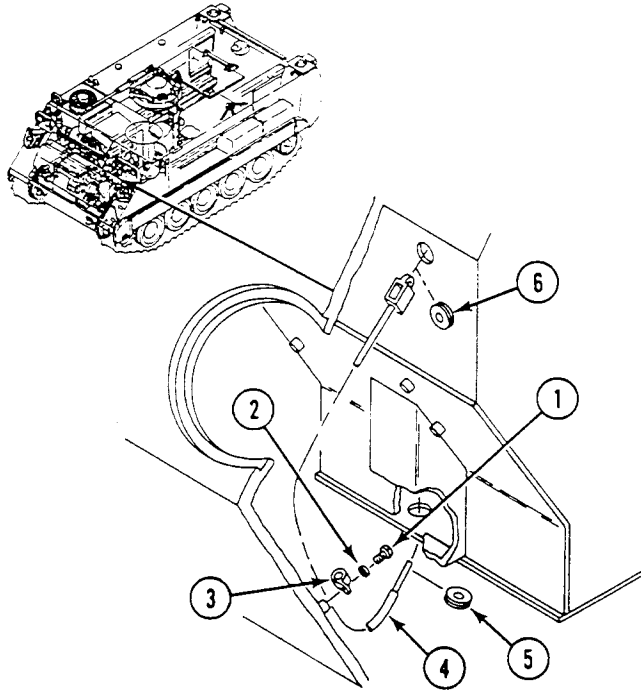
5. Remove cotter pin (12), two washers (13), and clevis pin (14) from cable stop (15) and lower brake pedal lever link (16). Discard cotter pin.
6. Loosen jamnut (17) under cable stop (15) on cable (18). Remove cable stop, washer (19), jamnut, and spring (20) from cable.



7. Remove top jamnut (21) from cable (18). Remove cable from mounting bracket (22).
8. Remove jamnut (23) from cable (18).

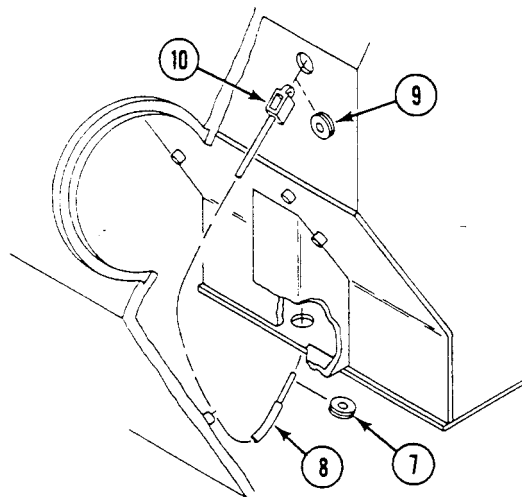


9. Remove screw (1), washer (2), clamp (3), cable (4), and two grommets (5) and (6) from carrier through power plant front access. Have helper assist.

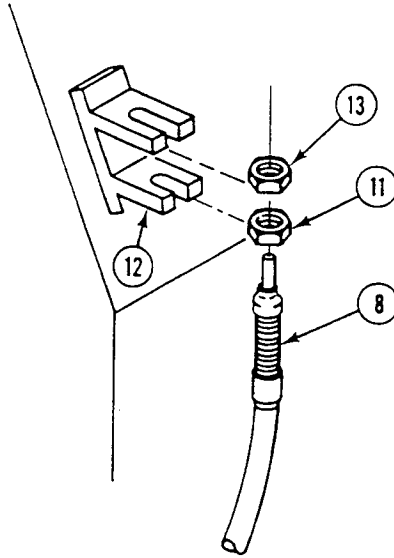


INSTALLATION

1. Install grommet (7) on threaded end of cable (8). Route cable through driver's compartment floor plate access hole. Install grommet in access hole. Have helper assist.
2. Install grommet (9) on cable (8). Route cable clevis (10) through hole in driver's compartment bulkhead. Install grommet in hole. Have helper assist.

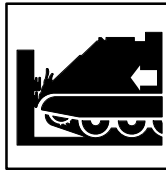


3. Install jamnut (11) on cable (8).
4. Install cable (8) in hole of lower mounting bracket (12) with jamnut (11) under lower bracket.
5. Install second jamnut (13) on cable (8). Thread jamnut on cable until tight against lower mounting bracket (12).



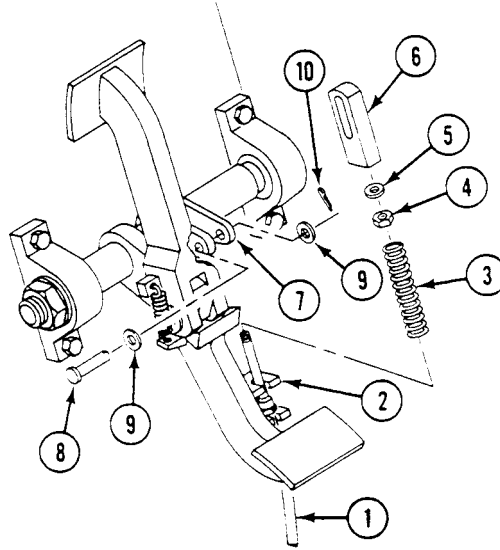
6. Install cable (1) in hole of upper mounting bracket (2).
7. Install spring (3), third jamnut (4) and washer (5) on cable (1). Install brake stop (6) on cable end. Allow 3/4 inch (1.9 cm) minimum thread engagement into brake stop (6).

WARNING

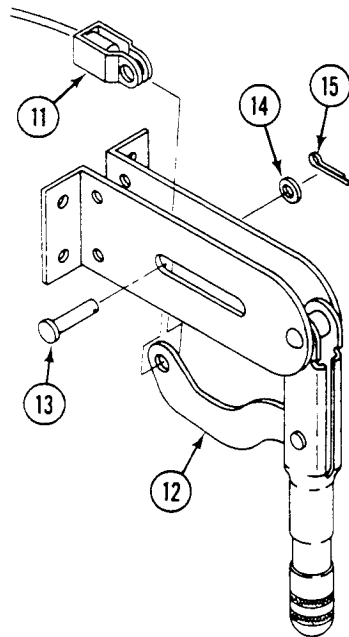


Failure of control linkage can cause carrier to crash. Crash could kill or injure personnel.

8. Install brake stop (6) on lower brake pedal lever link (7). Secure with clevis pin (8), two washers (9), and new cotter pin (10).



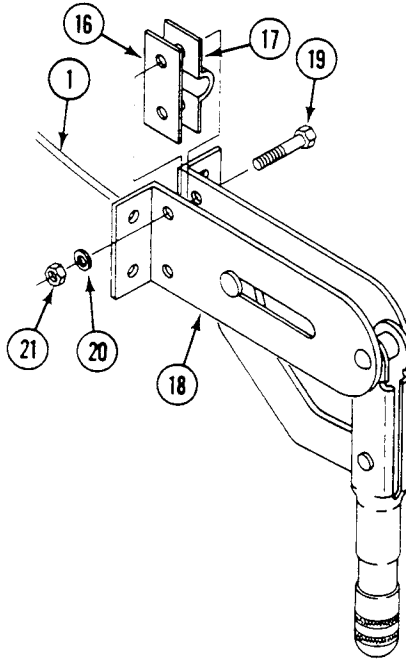
9. Install cable clevis (11) in link of parking brake lever (12). Secure with clevis pin (13), washer (14), and new cotter pin (15).



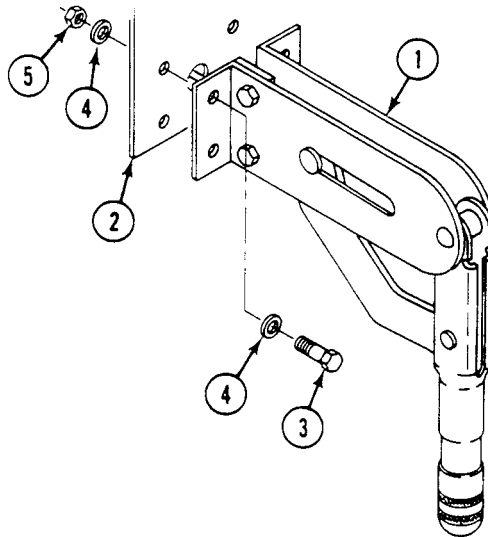
REPLACE PARKING BRAKE CONTROL CABLE ASSEMBLY — Continued

0411 00

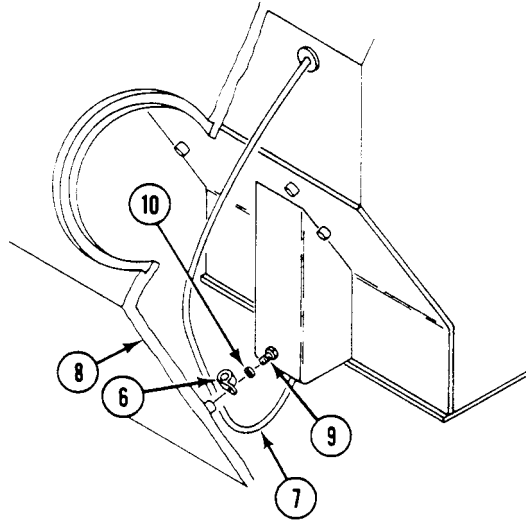
10. Install cable (1), spacer (16), and clamp (17) on lever (18). Secure with two screws (19), washers (20), and new locknuts (21).



11. Install lever (1) on mounting bracket (2). Secure with four screws (3), eight washers (4), and four new locknuts (5).



12. Install clamp (6) on cable (7). Secure clamp to front plate of hull (8) with screw (9) and washer (10).

**FOLLOW-THROUGH STEPS**

1. Adjust parking brake ().
2. Install hull front access cover ().

END OF TASK

REPLACE PARKING BRAKE CONTROL LEVER ASSEMBLY

0412 00

THIS WORK PACKAGE COVERS:

Removal)page 0412 00-1).
 Installation)page 0412 00-3).

INITIAL SETUP:

Maintenance Level

Unit

Personnel Required

Unit Mechanic

Tools and Special Tools

General Mechanic's Tool Kit (WP 0926 00, Item 65)

References

See your -10

Materials/Parts

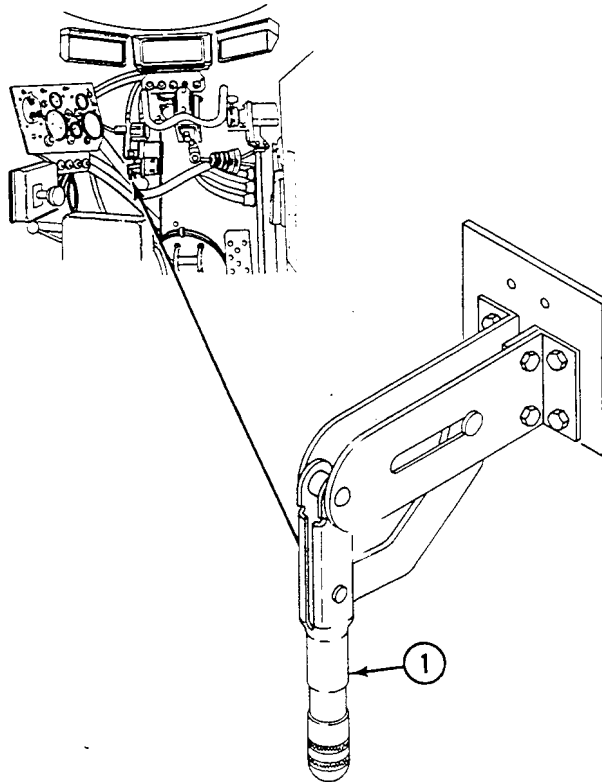
Cotter pin
 Locknut (4)
 Locknut (2)

Equipment Condition

Engine stopped (see your -10)
 Carrier blocked (see your -10)

REMOVAL

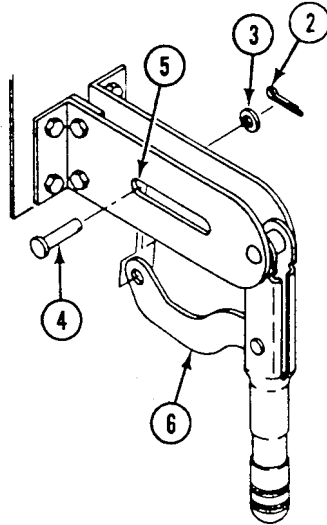
1. Place parking brake lever assembly in off position by pushing brake lever handle (1) down.



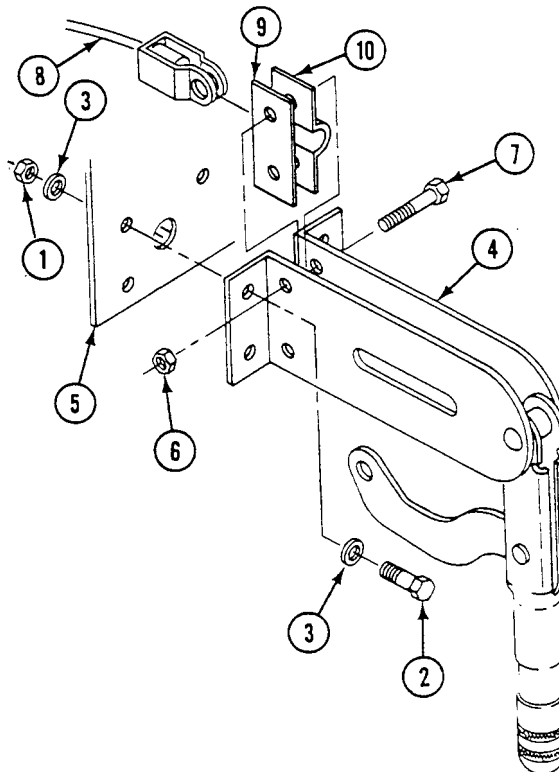
REPLACE PARKING BRAKE CONTROL LEVER ASSEMBLY — Continued

0412 00

2. Remove cotter pin (2), washer (3), and clevis pin (4) from cable clevis (5) and lever link (6). Disconnect link from cable. Discard cotter pin.

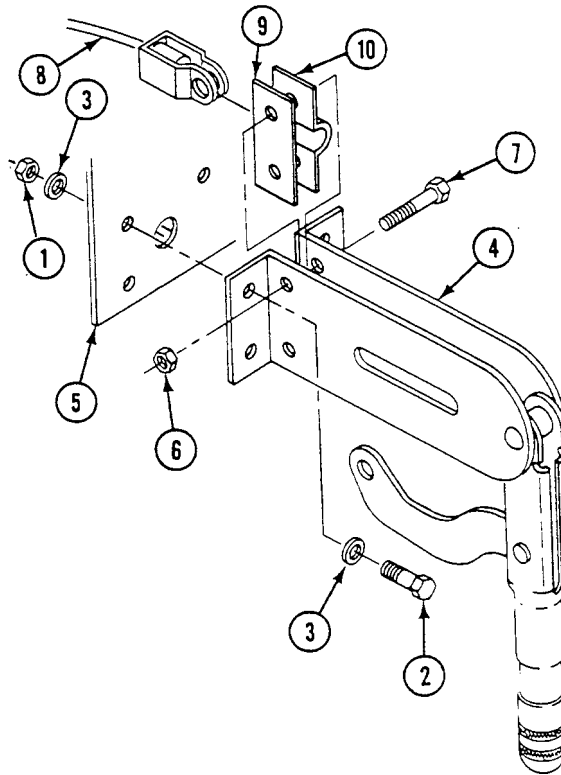


3. Remove four locknuts (1), screws (2), and washers (3) from parking brake lever (4) and mounting bracket (5). Remove parking brake lever from mounting bracket. Discard locknuts.
4. Remove two locknuts (6) and screws (7) from parking brake control cable conduit (8), spacer (9), and clamp (10). Remove cable spacer and clamp from brake lever assembly (4). Discard locknuts.



INSTALLATION

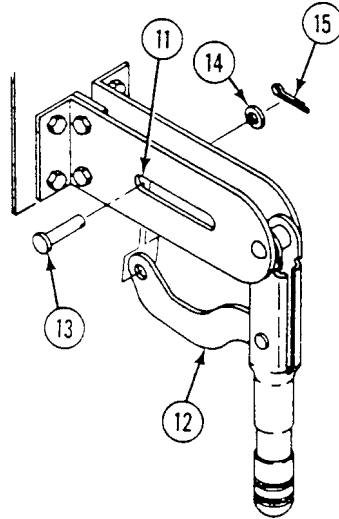
1. Install parking brake control cable conduit (8), spacer (9), and clamp (10) on parking brake lever assembly (4). Secure with two screws (7) and new locknuts (6).
2. Install parking brake lever (4) on mounting bracket (5). Secure with four screws (2), eight washers (3), and four new locknuts (1).



REPLACE PARKING BRAKE CONTROL LEVER ASSEMBLY — Continued

0412 00

3. Install cable clevis (11) in link of parking brake lever (12). Secure with clevis pin (13), washer (14), and new cotter pin (15).

**FOLLOW-THROUGH STEPS**

1. Adjust parking brake (WP 0408 00).

END OF TASK

INDEX

<u>Subject</u>	<u>WP Sequence No.-Page No.</u>
5.0 kW Auxiliary Power Unit	
Installation	0675 01-4
Removal	0675 01-2
5.0 kW Auxiliary Power Unit	
Repair	0675 00-1
A	
AC Cable Assembly, W252	
Installation	0857 00-3
Removal	0857 00-1
AC Light Cable, W11	
Installation	0845 00-2
Removal	0845 00-2
AC Power Extension Box	
A19	
Installation	0822 00-2
Removal	0822 00-1
A6	
Installation	0834 00-3
Removal	0834 00-1
A7	
Installation	0815 00-2
Removal	0815 00-1
AC Power Extension Cable	
W7	
Installation	0842 00-3
Removal	0842 00-1
W8	
Installation	0843 00-2
Removal	0843 00-1
Accelerator	
Linkage	
Adjustment	0214 00-1
Pedal	
Lower	
Installation	0215 00-3
Removal	0215 00-1
Upper	
Installation	0216 00-3
Removal	0216 00-1
Access Cover	
Battery Box	
Installation	0352 00-2
Removal	0352 00-1

INDEX, cont'd

<u>Subject</u>	<u>WP Sequence No.-Page No.</u>
Fuel Tank	
All Except M577A3 and M1068A3	
Installation	0187 00-2
Removal	0187 00-1
M577A3 and M1068A3	
Installation	0188 00-2
Removal	0188 00-1
Hull Front	
Installation	0449 00-2
Removal	0449 00-1
Power Plant Bottom	
Cleaning	0450 00-2
Installation	0450 00-3
Removal	0450 00-1
Access Door, Turbine	
Gasket	
Installation	0486 00-1
Removal	0486 00-1
Hinges	
Installation	0487 00-3
Removal	0487 00-2
Installation	0485 00-2
Removal	0485 00-2
Access Panel, Driver's Power Plant	
Installation	0441 00-3
Removal	0441 00-1
Access Plate, Adapter, Smoke Generator	
Installation	0766 00-3
Removal	0766 00-1
Adapter	
■ AN/VAS-5 Driver's Vision Enhancer (DVE) Sensor Set Assembly	
Installation	0866 05-2
Removal	0866 05-1
Speedometer	
Installation	0860 00-3
Removal	0860 00-1
Tachometer	
Installation	0863 00-3
Removal	0863 00-1
Adjuster, Track Tension	
Installation	0419 00-2
Removal	0419 00-1
Air Box Drain, Left and Right, Check Valve and Tubes	
Installation	0159 00-4
Removal	0159 00-1

INDEX, cont'd

<u>Subject</u>	<u>WP Sequence No.-Page No.</u>
Air Box Heater	
Ignition Coil	
Installation	0208 00-3
Removal	0208 00-1
Ignition Wire	
Installation	0204 00-2
Removal	0204 00-1
Lower Fuel Line	
Installation	0206 00-3
Removal	0206 00-2
Wiring Harness	
Installation	0205 00-5
Removal	0205 00-1
Air Box Pressure Transducer	
Installation	0327 00-2
Removal	0327 00-1
Air Cleaner	
Air Intake Elbow	
Installation	0173 00-2
Removal	0173 00-1
Assembly	
Assembly	0169 01-2
Disassembly	0169 01-1
Door	
Installation	0169 00-2
Removal	0169 00-1
Elbow	
Installation	0168 00-7
Removal	0168 00-2
Filter Element	
Servicing	0167 00-1
Grill Air Intake Elbow and Hose	
Installation	0174 00-2
Removal	0174 00-1
Restriction Indicator	
Installation	0171 00-2
Removal	0171 00-1
Restriction Indicator Hose	
Installation	0172 00-3
Removal	0172 00-1
Retainer	
Installation	0170 00-2
Removal	0170 00-1
Air Compressor	
Assembly	
Installation	0762 00-3
Removal	0762 00-1
Electrical Cable Assembly	
Installation	0758 00-4
Removal	0758 00-2

INDEX, cont'd

<u>Subject</u>	<u>WP Sequence No.-Page No.</u>
Air Hose	
Adapter Access Plate to Cover Assembly, Smoke Generator	
Installation	0768 00-2
Removal	0768 00-1
Compressor Reservoir to Access Plate, Smoke Generator	
Installation	0767 00-3
Removal	0767 00-1
Air Purifier and Frame	
M13	
Installation	0779 00-3
Removal	0779 00-1
NBC	
Installation	0914 00-2
Removal	0914 00-1
Air Ventilator, Rear Compartment	
Installation	0454 00-2
Removal	0454 00-1
Alarm	
Chemical Agent Automatic Alarm Kit	
Installation	0918 00-1
Removal	0918 00-8
Chemical Alarm Junction Box	
Installation	0920 00-3
Removal	0920 00-1
Chemical Alarm Junction Box/Power Cable/Alarm Cable	
Inspection-Acceptance and Rejection Criteria	0919 00-6
Installation	0919 00-8
Removal	0919 00-2
Repair or Replacement	0919 00-7
M43 Unit Interface Wiring Harness	
Inspection-Acceptance and Rejection Criteria	0923 00-4
Installation	0923 00-4
Removal	0923 00-1
Repair or Replacement	0923 00-4
Refill Tray Bracket	
Installation	0922 00-2
Removal	0922 00-1
Spare Battery Bracket	
Installation	0921 00-3
Removal	0921 00-1
Repair or Replacement	0921 00-2
Ammunition Rack	
Horizontal	
Assembly	0607 00-4
Cleaning	0607 00-4

INDEX, cont'd

<u>Subject</u>	<u>WP Sequence No.-Page No.</u>
Disassembly	0607 00-1
Inspection-Acceptance and Rejection Criteria	0607 00-4
Installation	0606 00-2
Removal	0606 00-1
Vertical	
Installation	0608 00-3
Removal	0608 00-1
Amplifier, Intercom	
Installation	0888 00-2
Removal	0888 00-1
Anchor, Torsion Bar	
Installation	0414 00-3
Removal	0414 00-1
Antenna	
AS3916/VRC	
Installation	0887 00-2
Removal	0887 00-1
Cover	
Installation	0576 00-2
Removal	0576 00-1
Guard	
Installation	0575 00-2
Removal	0575 00-1
Mast Bracket Assembly, Taillight Wiring Harness, and Bracket	
Installation	0625 00-7
Removal	0625 00-1
Support	
Installation	0602 00-2
Removal	0602 00-2
APIU Rack, Mount and Bracket	
Installation	0813 00-2
Removal	0813 00-1
Arm	
Idler Wheel	
Bearings and Seals	
Cleaning	0418 00-2
Installation	0418 00-2
Removal	0418 00-1
Installation	0417 00-2
Removal	0417 00-1
Road Wheel Support	
Installation	0415 00-4
Removal	0415 00-2

INDEX, cont'd

<u>Subject</u>	<u>WP Sequence No.-Page No.</u>
Armor	
Plate	
Left Front	
Installation	0447 00-2
Removal	0447 00-1
Right Front	
Installation	0448 00-3
Removal	0448 00-1
Shields, Commander's Cupola	
Installation	0747 00-3
Removal	0747 00-1
Smoke Generator	
Installation	0771 00-2
Removal	0771 00-1
Armor Kit	
Installation	0751 01-1
Removal	0751 01-3
Auxiliary Power (Slave) Receptacle	
Ground Lead	
Installation	0379 00-3
Removal	0379 00-1
Lead (Circuit 50) to Master Switch	
Inspection-Acceptance and Rejection Criteria	0268 00-2
Installation	0268 00-3
Removal	0268 00-1
M113A3, M1059A3, M1064A3, and M58	
Installation	0263 00-2
Removal	0263 00-1
M577A3 and M1068A3	
Installation	0264 00-3
Removal	0264 00-2
Auxiliary Power Unit	
Fuel Shutoff Valve	
Installation	0676 00-3
Removal	0676 00-2
Installation	0675 01-4
Removal	0675 01-2
Repair	0675 00-1
Valve-to-Bulkhead Fuel Supply Hoses	
Installation	0677 00-4
Removal	0677 00-2
Auxiliary Tank	
Fluid Level Detector	
Installation	0329 00-2
Removal	0329 00-1
Installation	0230 00-2
Removal	0230 00-1

INDEX, cont'd

<u>Subject</u>	<u>WP Sequence No.-Page No.</u>
Azimuth Lock, Commander's Cupola	
Installation	0489 00-2
Removal	0489 00-1
B	
Backrest	
Personnel Seat	
M1059A3 Only	
Installation	0549 00-3
Removal	0549 00-1
M1064A3 Only	
Installation	0550 00-3
Removal	0550 00-1
Balance Hose	
Installation	0234 00-1
Removal	0234 00-1
Base Extension, Right Side	
Adjustment	0623 00-4
Installation	0623 00-3
Removal	0623 00-1
Supports	
Installation	0624 00-3
Removal	0624 00-1
Batteries	
M1064A3 Only	
Clean and Inspect	0349 00-2
Installation	0349 00-3
Removal	0349 00-1
M113A3 and M1059A3	
Clean and Inspect	0346 00-3
Installation	0346 00-4
Removal	0346 00-1
M577A3 and M1068A3	
Clean and Inspect	0347 00-3
Installation	0347 00-3
Removal	0347 00-1
M58 Only	
Assembly	0348 00-7
Cleaning	0348 00-6
Disassembly	0348 00-5
Installation	0348 00-8
Removal	0348 00-1
Battery	
Drawer	
Clean and Inspect	0353 00-3
Installation	0353 00-4

INDEX, cont'd

<u>Subject</u>	<u>WP Sequence No.-Page No.</u>
Insulation and Heat Exchanger	
Cleaning	0719 00-2
Inspection-Acceptance and Rejection Criteria	0719 00-2
Installation	0719 00-2
Removal	0719 00-1
Removal	0353 00-1
Ground Strap	
M113A3, M1059A3, M1064A3, and M58	
Connect	0337 00-2
Disconnect	0337 00-1
M577A3 and M1068A3	
Connect	0338 00-3
Disconnect	0338 00-1
Leads and Terminals	
M1064A3 Only (Left Side)	
Cleaning	0343 00-5
Installation	0343 00-5
Removal	0343 00-1
M1064A3 Only (Right Side)	
Cleaning	0344 00-3
Installation	0344 00-4
Removal	0344 00-1
M113A3 and M1059A3	
Clean and Inspect	0340 00-3
Installation	0340 00-4
Removal	0340 00-1
M577A3 and M1068A3	
Clean and Inspect	0341 00-3
Installation	0341 00-4
Removal	0341 00-1
M58 Only	
Cleaning	0345 00-3
Installation	0345 00-4
Removal	0345 00-1
Battery Box	
Access Cover	
Installation	0352 00-2
Removal	0352 00-1
Insulation and Heat Exchanger	
Installation	0718 00-2
Removal	0718 00-1
M1064A3 Only (Right Side)	
Clean and Inspect	0354 00-2
Installation	0354 00-3
Removal	0354 00-1
M113A3 and M1059A3	
Clean and Inspect	0350 00-3
Installation	0350 00-4
Removal	0350 00-1
M577A3 and M1068A3	
Clean and Inspect	0351 00-2
Installation	0351 00-2
Removal	0351 00-2

INDEX, cont'd

<u>Subject</u>	<u>WP Sequence No.-Page No.</u>
M58 Only	
Assembly	0348 00-7
Cleaning	0348 00-6
Disassembly	0348 00-5
Installation	0348 00-8
Removal	0348 00-1
Vent Fitting	
Installation	0355 00-3
Removal	0355 00-1
Bearing Housing	
Fan Drive Shaft	
Installation	0248 00-3
Removal	0248 00-1
Bearings	
Idler Wheel Arm	
Cleaning	0418 00-2
Installation	0418 00-2
Removal	0418 00-1
Road Wheel Support	
Installation	0415 00-4
Removal	0415 00-2
Tow Start Control Assembly	
Installation	0391 00-5
Removal	0391 00-2
Belt	
Coolant Pump	
Adjustment	0239 00-1
Generator Drive	
Adjustment	0252 00-2
Installation	0253 00-1
Removal	0253 00-1
Personnel	
M1059A3 Only	
Installation	0549 00-3
Removal	0549 00-1
M1064A3 Only	
Installation	0550 00-3
Removal	0550 00-1
M113A3 Only	
Installation	0546 00-2
Removal	0546 00-1
M577A3 Only	
Installation	0547 00-3
Removal	0547 00-1
Bilge Pump	
Circuit Breakers	
Installation	0275 00-2
Removal	0275 00-1

INDEX, cont'd

<u>Subject</u>	<u>WP Sequence No.-Page No.</u>
Front	
Installation	0632 00-3
Removal	0632 00-1
Pipes	
Front	
Installation	0631 00-3
Removal	0631 00-1
Rear	
Installation	0634 00-2
Removal	0634 00-1
Rear	
Installation	0635 00-3
Removal	0635 00-1
Schematic	0078 00-1
 Blackout Curtain	
Installation	0629 00-2
Removal	0629 00-1
 Blackout Headlight	
Assembly	0306 00-2
Disassembly	0306 00-1
Installation	0305 00-2
Removal	0305 00-1
 Blackout Marker Light	
Assembly	0308 00-2
Disassembly	0308 00-1
Installation	0307 00-2
Removal	0307 00-1
 Blower Switch	
Installation	0278 00-3
Removal	0278 00-1
 Box Assembly A5, Tent Interface Panel	
Installation	0833 00-3
Removal	0833 00-1
 Bracket	
Antenna Mast	
Installation	0625 00-7
Removal	0625 00-1
Chemical Alarm Refill Tray	
Installation	0922 00-2
Removal	0922 00-1
Chemical Alarm Spare Battery	
Installation	0921 00-3
Removal	0921 00-1
Repair or Replacement	0921 00-2

INDEX, cont'd

<u>Subject</u>	<u>WP Sequence No.-Page No.</u>
Coolant Heater and Pump	
Installation	0732 00-1
Removal	0732 00-1
Forward Spall Liner	
Installation	0507 00-3
Removal	0507 00-1
Fuel Filter, Primary and Secondary	
Installation	0203 00-3
Removal	0203 00-2
Generator	
Installation	0255 00-4
Removal	0255 00-1
Glow Plug Controller Mounting	
Installation	0212 00-2
Removal	0212 00-1
M13 Orifice	
Installation	0781 00-2
Removal	0781 00-1
Mortar Base Stowage	
Installation	0615 00-3
Removal	0615 00-1
Muffler	
Installation	0224 00-2
Removal	0224 00-1
Oil Can	
Installation	0574 00-1
Removal	0574 00-1
Parking Brake	
Clean and Inspect	0331 00-3
Installation	0331 00-3
Removal	0331 00-1
Personnel Heater Control Box and Intercom Box	
Installation	0617 00-2
Removal	0617 00-1
Power Extension Box A18	
Installation	0836 00-2
Removal	0836 00-1
Ramp	
Installation	0516 00-1
Removal	0516 00-1
Ramp Door Stop	
Installation	0517 00-1
Removal	0517 00-1
Rifle	
Installation	0573 00-2
Removal	0573 00-1
Roadside Data Panel Assembly A13	
Installation	0835 00-2
Removal	0835 00-1
Steering	
Installation	0432 00-5
Removal	0432 00-1

INDEX, cont'd

<u>Subject</u>	<u>WP Sequence No.-Page No.</u>
Transmission Oil Drain Tubes	
Installation	0384 00-2
Removal	0384 00-1
Transmission Range Controller	
Cable-Activated Steering Lock	
Installation	0387 00-3
Removal	0387 00-1
Solenoid-Activated Steering Lock	
Installation	0386 00-3
Removal	0386 00-1
Windshield Stowage	
Installation	0614 00-2
Removal	0614 00-1
 Brackets and Mounts, Right Equipment Rack	
Installation	0814 00-2
Removal	0814 00-1
 Brake	
Commander's Cupola	
Installation	0492 00-1
Removal	0492 00-1
Parking	
Adjustment	0408 00-1
Cable Control Assembly	
Installation	0411 00-4
Removal	0411 00-1
Control Lever Assembly	
Installation	0412 00-3
Removal	0412 00-1
Service	
Control Linkage	
Adjustment	0407 00-1
Installation	0410 00-7
Removal	0410 00-2
Pedal, Upper and Lower	
Installation	0409 00-6
Removal	0409 00-1
Transmission	
Adjust Left-Hand Brake	0394 00-1
Adjust Right-Hand Brake	0394 00-5
Check Adjustment	0406 00-1
 Breather Hose, Ramp Cylinder	
All Except M1064A3	
Installation	0666 00-3
Removal	0666 00-1
M1064A3 Only	
Installation	0667 00-3
Removal	0667 00-2

INDEX, cont'd

<u>Subject</u>	<u>WP Sequence No.-Page No.</u>
Bulkhead Connection Hose to Fuel Pump	
Installation	0691 00-2
Removal	0691 00-1
Bumper, Driver's Hatch	
M113A3, M1059A3, M1064A3, and M58	
Installation	0532 00-2
Removal	0532 00-1
M577A3 and M1068A3	
Cleaning	0533 00-2
Installation	0533 00-3
Removal	0533 00-1
Repair or Replacement	0533 00-2
Buzzer and Switch, Admittance	
Inspection-Acceptance and Rejection Criteria	0334 00-2
Installation	0334 00-2
Removal	0334 00-1
Bypass Plug, Pressure Switch and Differential	
Installation	0401 00-2
Removal	0401 00-1
C	
Cable	
Artillery Communication, Inside	
Installation	0746 00-2
Removal	0746 00-1
Commander's Intercommunication Set	
Installation	0893 00-2
Removal	0893 00-1
Driver's Intercommunication Set	
Installation	0892 00-2
Removal	0892 00-1
Driver's Night Vision (DNV) AN/VVS-2 Power Supply	
Installation	0368 00-3
Removal	0368 00-1
Driver's Vision Enhancer (DVE) Power Supply	
Installation	0866 04-2
Removal	0866 04-1
Driver's Vision Enhancer (DVE) Sensor Set Assembly Power	
Installation	0866 01-2
Removal	0866 01-1
Test and Inspection	0866 01-1
Hand Throttle Control	
Installation	0219 00-4
Removal	0219 00-1
Intervehicle Power	
Assembly	0381 00-2
Disassembly	0381 00-1

INDEX, cont'd

<u>Subject</u>	<u>WP Sequence No.-Page No.</u>
Operator's Intercommunication Set	
Installation	0894 00-2
Removal	0894 00-1
Reel Holder Assembly	
Assembly	0604 00-2
Disassembly	0604 00-1
Installation	0603 00-2
Removal	0603 00-1
Smoke Generator, Internal	
Installation	0760 00-3
Removal	0760 00-1
Speedometer	
Assembly	0861 00-1
Disassembly	0861 00-1
Inspection	0861 00-1
Installation	0860 00-3
Removal	0860 00-1
Speedometer/Tachometer Flexible Core	
Installation	0858 00-5
Removal	0858 00-1
Tachometer	
Assembly	0865 00-2
Disassembly	0865 00-1
Inspection	0865 00-1
Installation	0864 00-4
Removal	0864 00-1
Tow Start Control	
Adjustment	0390 00-1
W10, DC Power Extension	
Installation	0844 00-3
Removal	0844 00-1
W103/W104, LAN A or B	
Installation	0854 00-3
Removal	0854 00-1
W11, AC Light	
Installation	0845 00-2
Removal	0845 00-2
W124	
Installation	0855 00-3
Removal	0855 00-1
W126	
Installation	0856 00-3
Removal	0856 00-1
W251	
Installation	0852 00-3
Removal	0852 00-1
W252	
Installation	0857 00-3
Removal	0857 00-1
W28	
Installation	0849 00-3
Removal	0849 00-1

INDEX, cont'd

<u>Subject</u>	<u>WP Sequence No.-Page No.</u>
W29	
Installation	0850 00-3
Removal	0850 00-1
W3, Power Distribution	
Installation	0837 00-3
Removal	0837 00-1
W35	
Installation	0849 00-3
Removal	0849 00-1
W38	
Installation	0850 00-3
Removal	0850 00-1
W4, DC Battery	
Installation	0838 00-3
Removal	0838 00-1
W4/W6	
Assembly	0841 00-2
Disassembly	0841 00-1
W40, Single Point LAN	
Installation	0851 00-3
Removal	0851 00-1
W42	
Installation	0852 00-3
Removal	0852 00-1
W43	
Installation	0852 00-3
Removal	0852 00-1
W45	
Installation	0853 00-3
Removal	0853 00-1
W5, Inverter AC	
Installation	0839 00-3
Removal	0839 00-1
W6, Inverter DC	
Installation	0840 00-3
Removal	0840 00-1
W7, AC Power Extension	
Installation	0842 00-3
Removal	0842 00-1
W8, AC Power Extension	
Installation	0843 00-2
Removal	0843 00-1
Cable Assembly, Remote (Outback Only)	
Installation	0847 01-8
Removal	0847 01-1
Cables and Switch Assembly, M14	
Installation	0799 00-3
Removal	0799 00-1

INDEX, cont'd

<u>Subject</u>	<u>WP Sequence No.-Page No.</u>
Cargo Hatch	
Cover	
Installation	0479 00-3
Removal	0479 00-2
Hold-Open Hook and Bumpers	
Installation	0474 00-3
Removal	0474 00-2
Interior Latch	
Adjustment	0475 00-5
Installation	0475 00-3
Removal	0475 00-1
Seals	
Installation	0478 00-1
Removal	0478 00-1
Cascade Remote Harness	
Installation	0847 00-3
Removal	0847 00-1
Chain Assembly, Litter Kit	
Assembly	0745 00-4
Disassembly	0745 00-1
Installation	0744 00-2
Removal	0744 00-1
Chemical Alarm	
Automatic Alarm Kit	
Installation	0918 00-1
Removal	0918 00-8
Junction Box	
Installation	0920 00-3
Removal	0920 00-1
Junction Box/Power Cable/Alarm Cable	
Inspection-Acceptance and Rejection Criteria	0919 00-6
Installation	0919 00-8
Removal	0919 00-2
Repair or Replacement	0919 00-7
M43 Unit Interface Wiring Harness	
Inspection-Acceptance and Rejection Criteria	0923 00-4
Installation	0923 00-4
Removal	0923 00-1
Repair or Replacement	0923 00-4
Refill Tray Bracket	
Installation	0922 00-2
Removal	0922 00-1
Spare Battery Bracket	
Installation	0921 00-3
Removal	0921 00-1
Repair or Replacement	0921 00-2

INDEX, cont'd

<u>Subject</u>	<u>WP Sequence No.-Page No.</u>
Circuit Breaker	
Bilge Pump	
Installation	0275 00-2
Removal	0275 00-1
Dome Light	
Installation	0316 00-3
Removal	0316 00-1
Installation	0280 00-2
Rear Utility Receptacle	
Inspection-Acceptance and Rejection Criteria	0276 00-2
Installation	0276 00-3
Removal	0276 00-1
Removal	0280 00-1
Clamps, Tent	
Installation	0627 00-2
Removal	0627 00-1
Combat Lock, Power Plant Door	
Installation	0473 00-3
Removal	0473 00-1
Commander's Cupola	
Armor Shields	
Installation	0747 00-3
Removal	0747 00-1
Azimuth Lock	
Installation	0489 00-2
Removal	0489 00-1
Brake Assembly	
Installation	0492 00-1
Removal	0492 00-1
Cover	
Installation	0493 00-3
Removal	0493 00-2
Cushioning Pad and Handle	
Installation	0488 00-2
Removal	0488 00-1
Hold-Open Hook and Bumper	
Installation	0494 00-2
Removal	0494 00-1
Interior Latch	
Installation	0496 00-2
Removal	0496 00-1
Machine Gun Mount	
Assembly	0498 00-2
Disassembly	0498 00-1
Installation	0497 00-1
Removal	0497 00-1
Machine Gun Mount Stops	
Installation	0499 00-3
Removal	0499 00-1

INDEX, cont'd

<u>Subject</u>	<u>WP Sequence No.-Page No.</u>
Vision Block Locks and Seals	
M1064A3 Only	
Installation	0491 00-3
Removal	0491 00-1
M113A3, M1059A3, and M58	
Installation	0490 00-3
Removal	0490 00-1
Commander's Hatch	
Cover	
Installation	0503 00-3
Removal	0503 00-2
Cushioning Pad and Handle	
Clean, Inspect, and Repair	0500 00-2
Installation	0500 00-2
Removal	0500 00-1
Hook and Bumper	
Installation	0501 00-4
Removal	0501 00-2
Interior Latch	
Adjustment	0502 00-2
Installation	0502 00-2
Removal	0502 00-1
Commander's Intercommunication Set Cable	
Installation	0893 00-2
Removal	0893 00-1
Commander's Interface Bracket Assembly	
M1064A3 Only	
Installation	0812 03-3
Removal	0812 03-2
Repair	0812 03-3
M577A3 Only	
Installation	0812 02-3
Removal	0812 02-1
Repair	0812 02-3
Commander's Jump Seat	
Installation	0563 00-3
Removal	0563 00-1
Commander's Platform	
M113A3, M1059A3, M1064A3, and M58	
Assembly	0559 00-4
Disassembly	0559 00-2
Installation	0559 00-6
Removal	0559 00-1

INDEX, cont'd

<u>Subject</u>	<u>WP Sequence No.-Page No.</u>
M577A3 and M1068A3	
Assembly	0564 00-3
Disassembly	0564 00-2
Inspection-Acceptance and Rejection Criteria	0564 00-3
Installation	0564 00-4
Removal	0564 00-1
Commander's Post	
M1064A3 Only	
Installation	0561 00-2
Removal	0561 00-1
M113A3, M1059A3, and M58	
Installation	0560 00-3
Removal	0560 00-1
Commander's Seat	
M1064A3 Only	
Installation	0561 00-2
Removal	0561 00-1
M1068A3 Only	
Assembly	0566 00-3
Disassembly	0566 00-2
Installation	0566 00-6
Removal	0566 00-1
M113A3, M1059A3, and M58	
Installation	0560 00-3
Removal	0560 00-1
M113A3, M1059A3, M1064A3, and M58	
Assembly	0562 00-4
Cleaning	0562 00-4
Disassembly	0562 00-1
Common Tools and Supplements and SpecialTools/Fixtures List	0926 00-1
Communication Box A11, External	
Installation	0817 00-4
Lid and Latches	
Installation	0818 00-2
Removal	0818 00-1
Removal	0817 00-1
Communication Cabling Diagram	0884 00-1
Control Assembly	
Push-Pull	
Installation	0429 00-7
Removal	0429 00-1
Tow Start	
Installation	0391 00-5
Removal	0391 00-2

INDEX, cont'd

<u>Subject</u>	<u>WP Sequence No.-Page No.</u>
Control Box	
Coolant Heater	
Assembly	0737 00-6
Disassembly	0737 00-1
Inspection and Repair	0737 00-5
Inspection-Acceptance and Rejection Criteria	0736 00-2
Installation	0736 00-2
Removal	0736 00-1
Personnel Heater	
Assembly	0702 00-5
Disassembly	0702 00-1
Installation	0701 00-3
Removal	0701 00-1
Repair or Replacement	0702 00-4
Control Cable Assembly, Fuel Cutoff	
Adjustment	0220 00-7
Installation	0220 00-4
Removal	0220 00-1
Control Valve	
Fire Extinguisher	
Installation	0904 00-3
Removal	0904 00-1
Ramp	
External to Internal Relief	
Installation	0660 00-6
Removal	0660 00-1
With External Relief Valve	
Repair or Replacement	0659 00-1
With Internal Relief Valve	
Installation	0661 00-4
Removal	0661 00-1
Control, Intercommunications Set	
Installation	0885 00-2
Removal	0885 00-1
Coolant Air Separator	
Installation	0236 00-3
Removal	0236 00-1
Coolant Heater	
Control Box	
Assembly	0737 00-6
Disassembly	0737 00-1
Inspection and Repair	0737 00-5
Inspection-Acceptance and Rejection Criteria	0736 00-2
Installation	0736 00-2
Removal	0736 00-1
Exhaust Elbow and Pipes	
Installation	0724 00-2
Removal	0724 00-1

INDEX, cont'd

<u>Subject</u>	<u>WP Sequence No.-Page No.</u>
Flame Detector Switch	
Adjustment	0727 00-1
Inspection-Acceptance and Rejection Criteria	0734 00-1
Installation	0734 00-2
Removal	0734 00-1
Fuel Filter	
Cleaning	0708 00-1
Installation	0708 00-2
Removal	0708 00-1
Fuel Inlet Hose and Fittings	
Installation	0712 00-3
Removal	0712 00-1
Fuel Pump	
Assembly	0709 00-2
Cleaning	0709 00-2
Disassembly	0709 00-1
Installation	0723 00-3
Removal	0723 00-1
Fuel Shutoff Valve	
Installation	0720 00-3
Removal	0720 00-1
Heater and Pump Bracket	
Installation	0732 00-1
Removal	0732 00-1
Heater to Engine Elbow Hose	
Installation	0715 00-2
Removal	0715 00-1
Hose	
Engine to Battery Box	
Installation	0714 00-4
Removal	0714 00-2
Filter Valve	
Installation	0716 00-2
Removal	0716 00-1
Fuel Pump	
Installation	0711 00-2
Removal	0711 00-1
Heater to Surge Tank	
Installation	0725 00-1
Removal	0725 00-1
Pump to Battery Box	
Installation	0713 00-3
Removal	0713 00-1
Inspection-Acceptance and Rejection Criteria	0729 00-1
Installation	0729 00-2
Pump	
Installation	0731 00-2
Removal	0731 00-1
Pump Unit	
Inspection-Acceptance and Rejection Criteria	0728 00-5
Installation	0728 00-5
Removal	0728 00-1
Removal	0729 00-1

INDEX, cont'd

<u>Subject</u>	<u>WP Sequence No.-Page No.</u>
Wiring Harness	
Installation	0735 00-4
Removal	0735 00-1
Coolant Heater Schematic	0087 00-1
Coolant Hose and Tube, Upper	
Installation	0232 00-4
Removal	0232 00-2
Coolant Pump	
Belts	
Adjustment	0239 00-1
Engine	
Installation	0241 00-4
Removal	0241 00-1
Idle Pulley/Belts	
Installation	0240 00-2
Removal	0240 00-1
Cooling System, Drain and Fill	
Complete Drain	0227 00-2
Fill Cooling System	0227 00-4
Cover	
Antenna	
Installation	0576 00-2
Removal	0576 00-1
Cargo Hatch	
Installation	0479 00-3
Removal	0479 00-2
Commander's Cupola	
Installation	0493 00-3
Removal	0493 00-2
Commander's Hatch	
Installation	0503 00-3
Removal	0503 00-2
Driver's Hatch	
Installation	0531 00-3
Removal	0531 00-1
Mortar Hatch	
Installation	0482 00-3
Removal	0482 00-2
Teleposts	
Installation	0296 00-3
Removal	0296 00-1
Thermostat	
Installation	0237 00-4
Removal	0237 00-1

INDEX, cont'd

<u>Subject</u>	<u>WP Sequence No.-Page No.</u>
Tow Start Control Assembly	
Installation	0392 00-2
Removal	0392 00-1
Curbside Data Panel A12	
Installation	0819 00-2
Removal	0819 00-1
Cushioning Pad	
Commander's Cupola	
Installation	0488 00-2
Removal	0488 00-1
Driver's Hatch	
Installation	0530 00-1
Removal	0530 00-1
Cushions	
Personnel	
M1059A3 Only	
Installation	0549 00-3
Removal	0549 00-1
M1064A3 Only	
Installation	0550 00-3
Removal	0550 00-1
M113A3 Only	
Installation	0546 00-2
Removal	0546 00-1
M577A3 Only	
Installation	0547 00-3
Removal	0547 00-1
Cylinder	
Discharge Tubes	
Installation	0899 00-3
Removal	0899 00-1
Discharge Tubes, Turbine	
Installation	0900 00-3
Removal	0900 00-1
Fixed Fire Extinguisher	
Installation	0898 00-4
Removal	0898 00-2

D

Data Panel Assembly	
A12, Curbside	
Installation	0819 00-2
Removal	0819 00-1
A13, Roadside	
Installation	0835 00-2
Removal	0835 00-1

INDEX, cont'd

<u>Subject</u>	<u>WP Sequence No.-Page No.</u>	
Data Plates, Stencils, Markers, and Decals		
Cleaning	0654 00-2	
Installation	0654 00-3	
Removal	0654 00-2	
Dataplates, Decals, and Markers		
All Models	0644 00-1	
M1059A3 Only	0651 00-1	
M1064A3 Only	0652 00-1	
M113A3 and M1059A3	0645 00-1, 0647 00-1	
M113A3, M1059A3, and M58	0646 00-1	
M577A3 and M1068A3	0648 00-1	
M58 Only	0653 00-1	
DC Battery Cable (W4)		
Installation	0838 00-3	
Removal	0838 00-1	
DC Power Extension		
Box A9		
Installation	0834 00-3	
Removal	0834 00-1	
W10 Cable		
Installation	0844 00-3	
Removal	0844 00-1	
Diagram, Communication Cabling		0884 00-1
Differential Pressure Switch		
Bypass Plug		
Installation	0401 00-2	
Removal	0401 00-1	
Fuel Filter		
Installation	0328 00-5	
Removal	0328 00-1	
Dipstick		
Final Drive		
Installation	0402 00-3	
Removal	0402 00-1	
Transmission Oil Level		
X200-4 Only		
Installation	0395 00-3	
Removal	0395 00-1	
X200-4A Only		
Installation	0396 00-4	
Removal	0396 00-1	

INDEX, cont'd

<u>Subject</u>	<u>WP Sequence No.-Page No.</u>
Distribution Box	
M113A3, M1059A3, M1064A3, and M58	
Installation	0269 00-4, 0270 00-5
Removal	0269 00-2, 0270 00-2
M577A3 and M1068A3	
Installation	0271 00-3
Removal	0271 00-1
MSD/ICE	
M1064A3 Only	
Installation	0877 00-3
Removal	0877 00-1
M113A3 and M1059A3	
Installation	0874 00-3
Removal	0874 00-1
M577A3 and M1068A3	
Installation	0875 00-2
Removal	0875 00-1
Dome Light	
All Except M577A3 and M1068A3	
Assembly	0310 00-3
Disassembly	0310 00-1
Installation	0309 00-2
Removal	0309 00-1
Circuit Breaker	
Installation	0316 00-3
Removal	0316 00-1
Lens	
Installation	0313 00-3
Removal	0313 00-1
M577A3 and M1068A3	
Assembly	0312 00-3
Disassembly	0312 00-1
Installation	0311 00-3
Removal	0311 00-1
Switch	
Front	
Installation	0314 00-3
Removal	0314 00-1
Rear	
Installation	0315 00-2
Removal	0315 00-1
Door	
Power Plant	
Adjustment	0472 00-2
All Except M113A3	
Installation	0471 00-2
Removal	0471 00-1
Assembly	0472 00-2
Disassembly	0472 00-1

INDEX, cont'd

<u>Subject</u>	<u>WP Sequence No.-Page No.</u>
M113A3 Only	
Installation	0470 00-3
Removal	0470 00-1
Turbine Access	
Installation	0485 00-2
Removal	0485 00-2
Drain Check Valve and Tubes, Left and Right Air Box	
Installation	0159 00-4
Removal	0159 00-1
Drain Cock and Hose	
Installation	0235 00-1
Removal	0235 00-1
Drain Plug	
Final Drive Hull	
Installation	0452 00-2
Removal	0452 00-1
Fuel Tank	
Installation	0187 00-2
Removal	0187 00-1
Hull	
Installation	0451 00-2
Removal	0451 00-1
Ramp	
Installation	0515 00-1
Removal	0515 00-1
Drive Belt	
Generator	
Adjustment	0252 00-2
Installation	0253 00-1
Removal	0253 00-1
Ventilating Fan	
Adjustment	0242 00-1
Installation	0243 00-2
Removal	0243 00-1
Drive Pulley, Ventilating Fan	
Installation	0244 00-1
Removal	0244 00-1
Drive Sprocket Wheel Assembly	
T130 Track	
Assembly	0421 00-1
Disassembly	0421 00-1
Installation	0420 00-2
Removal	0420 00-1
T150 Track	
Installation	0420 01-2
Removal	0420 01-1

INDEX, cont'd

<u>Subject</u>	<u>WP Sequence No.-Page No.</u>
Driver's Compartment Floor Plates	
Cleaning	0453 00-2
Installation	0453 00-2
Removal	0453 00-1
Driver's Footrest	
Installation	0558 00-1
Removal	0558 00-1
Driver's Hatch	
Cover	
Installation	0531 00-3
Removal	0531 00-1
Cushioning Pad	
Installation	0530 00-1
Removal	0530 00-1
Exterior Lock	
Installation	0531 00-3
Removal	0531 00-1
Hold-Open Hook and Bumper	
M113A3, M1059A3, M1064A3, and M58	
Installation	0532 00-2
Removal	0532 00-1
M577A3 and M1068A3	
Cleaning	0533 00-2
Installation	0533 00-3
Removal	0533 00-1
Repair or Replacement	0533 00-2
Interior Lock and Latch	
Adjustment	0534 00-3
Installation	0534 00-2
Removal	0534 00-1
Night Vision Guard	
All Except M58	
Installation	0536 00-1
Removal	0536 00-1
M58 Only	
Installation	0536 01-2
Removal	0536 01-1
Night Vision Mount	
Installation	0537 01-3
Removal	0537 01-2
Vision Block Locks and Seals	
Clean, Inspect, and Repair	0535 00-3
Installation	0535 00-3
Removal	0535 00-1
Driver's Intercommunication Set Cable	
Installation	0892 00-2
Removal	0892 00-1

INDEX, cont'd

<u>Subject</u>	<u>WP Sequence No.-Page No.</u>
Driver's Night Vision	
AN/VVS-2 Power Supply Cable Assembly	
Installation	0368 00-3
Removal	0368 00-1
Mount	
Installation	0537 00-2
Removal	0537 00-1
Stowage	
Installation	0572 00-2
Removal	0572 00-1
Driver's Seat	
Assembly	0552 00-2
Back Assembly	
Assembly	0554 00-1
Disassembly	0554 00-1
Installation	0553 00-2
Removal	0553 00-1
Disassembly	0552 00-1
Impact Absorber	
Installation	0555 00-1
Removal	0555 00-1
Installation	0551 00-2
Post Assembly	
Assembly	0557 00-4
Disassembly	0557 00-1
Installation	0556 00-2
Removal	0556 00-1
Removal	0551 00-1
■ Driver's Vision Enhancer (DVE)	
Commander's Display Mounting Bracket	
Installation	0866 06-5
Removal	0866 06-1
Driver's Display Mounting Bracket	
Installation	0866 02-5
Removal	0866 02-1
Power Supply Cable	
Installation	0866 04-2
Removal	0866 04-1
Sensor Set Assembly	
Installation	0866 05-2
Removal	0866 05-1
Sensor Set Assembly Power Cable	
Installation	0866 01-2
Removal	0866 01-1
Test and Inspection	0866 01-1
Stowage Bracket	
Installation	0866 03-3
Removal	0866 03-1

INDEX, cont'd

<u>Subject</u>	<u>WP Sequence No.-Page No.</u>
Driver's Windshield	
Installation	0739 00-2
Removal	0739 00-1
Stowage Bag, Straps, and Decal	
Installation	0740 00-2
Removal	0740 00-1
Repair or Replacement	0740 00-2
 E 	
Elbow	
Air Cleaner	
Installation	0168 00-7
Removal	0168 00-2
Air Cleaner Air Intake	
Installation	0173 00-2
Removal	0173 00-1
Coolant Heater Exhaust	
Installation	0724 00-2
Removal	0724 00-1
Engine Exhaust, Left/Right	
Installation	0225 00-2
Removal	0225 00-1
Grill Air Intake	
Installation	0174 00-2
Removal	0174 00-1
Electrical Cable Assembly	
Air Compressor	
Installation	0758 00-4
Removal	0758 00-2
Fog Oil Pump	
Installation	0759 00-3
Removal	0759 00-1
Smoke Generator, Adapter Access Plate to Generator	
Installation	0761 00-3
Removal	0761 00-1
Electrical Schematic	0027 00-1
Electrode, Air Heater	
Installation	0207 00-2
Removal	0207 00-1
Element	
Air Cleaner Filter	
Servicing	0167 00-1
Fuel Filter, Primary and Secondary	
Installation	0202 00-6
Removal	0202 00-2

INDEX, cont'd

<u>Subject</u>	<u>WP Sequence No.-Page No.</u>
Transmission Oil and Filter	
Installation	0398 00-3
Removal	0398 00-1
Enclosure, Generator Set	
Installation	0674 00-3
Removal	0674 00-2
Engine	
Air Box Heater Schematic	0013 00-1
Block Fitting and Hardware	
Installation	0717 00-3
Removal	0717 00-1
Charging System Schematic	0007 00-1
Coolant Heater System	
Drain	0710 00-1
Fill	0710 00-3
Coolant Pump	
Installation	0241 00-4
Removal	0241 00-1
Exhaust Elbows and Double Flex Joint	
Installation	0221 00-3
Removal	0221 00-1
Exhaust Elbows, Left/Right	
Installation	0225 00-2
Removal	0225 00-1
Fuel Pump	
Cleaning	0166 00-3
Inspection-Acceptance and Rejection Criteria	0166 00-3
Installation	0166 00-4
Removal	0166 00-1
Repair or Replacement	0166 00-3
Fuel Return Hose	
Installation	0201 00-3
Removal	0201 00-1
Fuel Supply Hose	
Installation	0200 00-3
Removal	0200 00-1
Fuel System Schematic	
All Except M577A3 and M1068A3	0009 00-1
M577A3 and M1068A3	0010 00-1
Lifting Bracket	
Installation	0161 00-2
Removal	0161 00-1
Mounts	
Installation	0158 00-2
Removal	0158 00-1
Oil Filler Cap	
Installation	0162 00-2
Removal	0162 00-1
Oil Low Pressure Transmitter and Hardware	
Installation	0320 00-3
Removal	0320 00-1

INDEX, cont'd

<u>Subject</u>	<u>WP Sequence No.-Page No.</u>
Oil Sampling Valve and Hose	
Installation	0163 00-2
Removal	0163 00-1
Start Switch	
Installation	0284 00-2
Removal	0284 00-1
Starter Circuit Schematic	0011 00-1
Tachometer Adapter	
Installation	0863 00-3
Removal	0863 00-1
Wiring Harness	
Clean, Inspect, and Repair	0359 00-8
Installation	0359 00-8
Removal	0359 00-2
Equipment Description	
Capabilities and Features	0002 00-1
Differences Between Carriers	0002 00-5
Equipment Data	0002 00-6
Exhaust Joint, Double Flex	
Installation	0222 00-1
Removal	0222 00-1
Exhaust Muffler and Bracket	
Installation	0224 00-2
Removal	0224 00-1
Exhaust Pipe Heat Shield, Turbo, Left/Right	
Installation	0226 00-3
Removal	0226 00-1
Exhaust, Evacuator Valve and Connector	
Installation	0175 00-2
Removal	0175 00-1
Expendable/Durable Supplies and Materials List	0928 00-1
Extender Assembly, Tow Pintle	
Adjustment	0811 02-6
Assembly	0811 02-4
Disassembly	0811 02-3
Installation	0811 02-5
Removal	0811 02-1
Stow	0811 02-6
Extender Kit, Tow Pintle	
Adjustment	0811 01-3
Installation	0811 01-1
Stow	0811 01-3

INDEX, cont'd

<u>Subject</u>	<u>WP Sequence No.-Page No.</u>
Extension Box, AC Power	
A19	
Installation	0822 00-2
Removal	0822 00-1
A6	
Installation	0834 00-3
Removal	0834 00-1
A7	
Installation	0815 00-2
Removal	0815 00-1
External Cable Tube	
Installation	0905 00-5
Removal	0905 00-2
External Communication Box A11	
Installation	0817 00-4
Removal	0817 00-1
External Handle	
Fire Extinguisher Control Valve	
Installation	0904 00-3
Removal	0904 00-1
Shield	
M1064A3 Only	
Inspection-Acceptance and Rejection Criteria	0903 00-3
Installation	0903 00-3
Removal	0903 00-1
M113A3 and M1059A3	
Installation	0901 00-2
Removal	0901 00-1
M577A3 and M1068A3	
Installation	0902 00-1
Removal	0902 00-1
F	
Fabricated Tools	0927 00-1
Fan	
Drive Pulley Access Cover	
Installation	0440 00-2
Removal	0440 00-1
Drive Shaft	
Installation	0248 00-3
Removal	0248 00-1
Flat Pulleys and Bearings	
Installation	0245 00-3
Removal	0245 00-1

INDEX, cont'd

<u>Subject</u>	<u>WP Sequence No.-Page No.</u>
Variable Speed Drive	
Controller	
Installation	0250 01-1
Removal	0250 01-1
Fan Drive Assembly	
Adjustment	0249 01-3
Installation	0249 01-3
Removal	0249 01-2
Installation	0249 00-3
Removal	0249 00-2
Ventilation	
Installation	0383 00-3
Removal	0383 00-1
Filler Cap, Strainer Parts	
All Except M577A3 and M1068A3	
Installation	0184 00-3
Removal	0184 00-2
M577A3 and M1068A3	
Installation	0185 00-2
Removal	0185 00-1
Filler Cover and Lock	
Combat	
Installation	0466 00-2
Removal	0466 00-1
Fuel Tank	
All Except M577A3 and M1068A3	
Installation	0182 00-2
Removal	0182 00-1
M577A3 and M1068A3	
Installation	0183 00-2
Removal	0183 00-1
Filler Flange, Fuel Tank	
Installation	0189 00-2
Removal	0189 00-1
Filler Tube	
Final Drive	
Installation	0402 00-3
Removal	0402 00-1
Transmission Oil Lever	
X200-4 Only	
Installation	0395 00-3
Removal	0395 00-1
X200-4A Only	
Installation	0396 00-4
Removal	0396 00-1

INDEX, cont'd

<u>Subject</u>	<u>WP Sequence No.-Page No.</u>
Filter Element, Transmission Oil	
Installation	0398 00-3
Removal	0398 00-1
Filter, Fuel	
Installation	0726 00-2
Removal	0726 00-1
Final Drive	
Clean, Inspect, and Repair	0403 00-2
Differential Oil Seal	
Installation	0404 00-2
Removal	0404 00-1
Filler Tube and Dipstick	
Installation	0402 00-3
Removal	0402 00-1
Hull Drain Plugs	
Installation	0452 00-2
Removal	0452 00-1
Installation	0403 00-3
Removal	0403 00-1
Fire Extinguisher	
Control Valve and External Handle	
Installation	0904 00-3
Removal	0904 00-1
Fixed	
Cylinder and Mount	
Installation	0898 00-4
Removal	0898 00-2
Cylinder Discharge Tubes	
Installation	0899 00-3
Removal	0899 00-1
Turbine Cylinder Discharge Tubes	
Installation	0900 00-3
Removal	0900 00-1
Portable	
Inspection-Acceptance and Rejection Criteria	0896 00-3
Installation	0896 00-3
Mount (All Except M1068A3)	
Installation	0895 00-3
Removal	0895 00-1
Mount (M1068A3 Only)	
Assembly	0897 00-4
Disassembly	0897 00-3
Installation	0897 00-5
Removal	0897 00-1
Removal	0896 00-1
Fittings	
Coolant Heater Fuel Inlet	
Installation	0712 00-3
Removal	0712 00-1

INDEX, cont'd

<u>Subject</u>	<u>WP Sequence No.-Page No.</u>
Fuel Return	
M1064A3 Only	
Installation	0197 00-9
Removal	0197 00-1
M113A3, M1059A3, and M58	
Installation	0195 00-8
Removal	0195 00-2
M577A3 and M1068A3	
Installation	0196 00-4
Removal	0196 00-1
Fuel Vent	
Installation	0198 00-4
Removal	0198 00-1
Personnel Heater	
M1064A3 Only	
Installation	0688 00-5
Removal	0688 00-1
M577A3 and M1068A3	
Installation	0700 00-3
Removal	0700 00-2
Ramp Control Valve	
External to Internal Relief	
Installation	0660 00-6
Removal	0660 00-1
With External Relief Valve	
Repair or Replacement	0659 00-1
With Internal Relief Valve	
Installation	0661 00-4
Removal	0661 00-1
Flame Detector Switch, Coolant Heater	
Adjustment	0727 00-1
Inspection-Acceptance and Rejection Criteria	0734 00-1
Installation	0734 00-2
Removal	0734 00-1
Floor Plates	
Driver's Compartment	
Cleaning	0453 00-2
Installation	0453 00-2
Removal	0453 00-1
M1059A3 Only	
Installation	0542 00-2
Removal	0542 00-1
M1064A3 Only	
Installation	0543 00-2
Removal	0543 00-1
M1068A3 Only	
Installation	0544 00-3
Removal	0544 00-1

INDEX, cont'd

<u>Subject</u>	<u>WP Sequence No.-Page No.</u>
M113A3 and M577A3	
Installation	0539 00-2
Removal	0539 00-1
M58 Only	
Installation	0545 00-2
Removal	0545 00-1
Fluorescent Light Assemblies	
Installation	0825 00-2
Removal	0825 00-1
Fog Oil	
Pump Assembly	
Installation	0763 00-2
Removal	0763 00-1
Pump, Electrical Cable Assembly	
Installation	0759 00-3
Removal	0759 00-1
Quick Disconnect to Adapter Access Plate Hose	
Installation	0769 00-2
Removal	0769 00-1
Quick Disconnect to Adapter Access Plate Hose, Cover Assembly	
Installation	0770 00-2
Removal	0770 00-1
Tank Module	
Installation	0753 00-4
Removal	0753 00-1
Footrest, Driver's	
Installation	0558 00-1
Removal	0558 00-1
Forward Table, Right	
Installation	0581 00-3
Removal	0581 00-1
Frame, Blackout Curtain	
Installation	0629 00-2
Removal	0629 00-1
Front Bilge Valve	
Installation	0633 00-2
Removal	0633 00-1
Fuel Can Lid Assembly, Smoke Generator	
Installation	0764 00-2
Removal	0764 00-1
Fuel Cap Vent and Filter Screen	
Cleaning	0176 00-1

INDEX, cont'd

<u>Subject</u>	<u>WP Sequence No.-Page No.</u>
Fuel Control Shaft and Linkage	
Installation	0217 00-4
Removal	0217 00-1
Fuel Cutoff Control Cable Assembly	
Adjustment	0220 00-7
Installation	0220 00-4
Removal	0220 00-1
Fuel Filler and Strainer Parts	
Cleaning	0186 00-2
Installation	0186 00-2
Removal	0186 00-1
Repair or Replacement	0186 00-2
Fuel Filter	
Coolant Heater	
Cleaning	0708 00-1
Installation	0708 00-2
Removal	0708 00-1
Differential Pressure Switch	
Installation	0328 00-5
Removal	0328 00-1
Installation	0726 00-2
Personnel Heater	
M1064A3 Only	
Installation	0688 00-5
Removal	0688 00-1
M577A3 and M1068A3	
Installation	0700 00-3
Removal	0700 00-2
Primary and Secondary	
Installation	0203 00-3
Removal	0203 00-2
Primary and Secondary Elements	
Installation	0202 00-6
Removal	0202 00-2
Removal	0726 00-1
Fuel Line	
Lower, Air Box Heater	
Installation	0206 00-3
Removal	0206 00-2
Personnel Heater	
Bleed Air From System	0679 00-1
Smoke Generator	
Installation	0765 00-4
Removal	0765 00-1

INDEX, cont'd

<u>Subject</u>	<u>WP Sequence No.-Page No.</u>
Fuel Pump	
Coolant Heater	
Assembly	0709 00-2
Cleaning	0709 00-2
Disassembly	0709 00-1
Installation	0723 00-3
Removal	0723 00-1
Engine	
Cleaning	0166 00-3
Inspection-Acceptance and Rejection Criteria	0166 00-3
Installation	0166 00-4
Removal	0166 00-1
Repair or Replacement	0166 00-3
Hose	
Coolant Heater	
Installation	0711 00-2
Removal	0711 00-1
Personnel Heater	
Installation	0689 00-3
Removal	0689 00-2
Fuel Quantity Transmitter	
All Except M577A3 and M1068A3	
Inspection-Acceptance and Rejection Criteria	0190 00-2
Installation	0190 00-3
Removal	0190 00-1
Repair or Replacement	0190 00-2
M577A3 and M1068A3	
Cleaning	0191 00-1
Installation	0191 00-1
Removal	0191 00-1
Fuel Return Hoses	
Engine	
Installation	0201 00-3
Removal	0201 00-1
M1064A3 Only	
Installation	0197 00-9
Removal	0197 00-1
M113A3, M1059A3, and M58	
Installation	0195 00-8
Removal	0195 00-2
M577A3 and M1068A3	
Installation	0196 00-4
Removal	0196 00-1
Fuel Return Pressure Transducer	
Installation	0325 00-2
Removal	0325 00-1

INDEX, cont'd

<u>Subject</u>	<u>WP Sequence No.-Page No.</u>
Fuel Select Switch to Gauge Lead	
Inspection-Acceptance and Rejection Criteria	0281 00-2
Installation	0281 00-2
Removal	0281 00-1
Fuel Selector Switch	
Installation	0277 00-3
Removal	0277 00-1
Fuel Shutoff Valve	
Auxiliary Power Unit	
Installation	0676 00-3
Removal	0676 00-2
Coolant Heater	
Installation	0720 00-3
Removal	0720 00-1
Personnel Heater	
Installation	0684 00-3
Removal	0684 00-2
Fuel Supply	
Hoses, Tubes, and Fittings	
M1064A3 Only	
Installation	0194 00-9
Removal	0194 00-2
M113A3, M1059A3, and M58	
Installation	0192 00-9
Removal	0192 00-2
M577A3 and M1068A3	
Installation	0193 00-5
Removal	0193 00-1
Pressure Transducer	
Installation	0324 00-2
Removal	0324 00-1
Fuel Supply Hoses	
Auxiliary Power Unit Bulkhead-to-Hull	
Installation	0678 00-4
Removal	0678 00-1
Auxiliary Power Unit Valve-to-Bulkhead	
Installation	0677 00-4
Removal	0677 00-2
Engine	
Installation	0200 00-3
Removal	0200 00-1
Fuel Tank	
Access Covers	
All Except M577A3 and M1068A3	
Installation	0187 00-2
Removal	0187 00-1
M577A3 and M1068A3	
Installation	0188 00-2
Removal	0188 00-1

INDEX, cont'd

<u>Subject</u>	<u>WP Sequence No.-Page No.</u>
All Except M577A3 and M1068A3	
Installation	0179 00-5
Removal	0179 00-2
Servicing	0177 00-1
Drain Plugs	
Installation	0187 00-2
Removal	0187 00-1
Filler Cover and Lock	
All Except M577A3 and M1068A3	
Installation	0182 00-2
Removal	0182 00-1
M577A3 and M1068A3	
Installation	0183 00-2
Removal	0183 00-1
Filler Flange	
Installation	0189 00-2
Removal	0189 00-1
M577A3 and M1068A3	
Installation	0180 00-4
Removal	0180 00-1
Servicing	0178 00-1
Repair or Replacement	0181 00-1
Fuel Tube, Personnel Heater	
Installation	0686 00-2
Removal	0686 00-1
Fuel Valve, Mounting Blocks	
Installation	0199 00-3
Removal	0199 00-1
Fuel Vent Hoses, Tubes, and Fittings	
Installation	0198 00-4
Removal	0198 00-1
G	
Gasket	
Adapter Access Plate, Smoke Generator	
Installation	0766 00-3
Removal	0766 00-1
Turbine Access Door	
Installation	0486 00-1
Removal	0486 00-1
Gauges, Instrument Panel	
Installation	0285 00-2
Removal	0285 00-1
General Information	
Destruction of Army Materiel to Prevent Enemy Use	0001 00-5

INDEX, cont'd

<u>Subject</u>	<u>WP Sequence No.-Page No.</u>
List of Abbreviations/Acronyms	0001 00-7
Maintenance Forms, Records, and Reports	0001 00-5
Metric Equivalents	0001 00-8
Nomenclature Cross-Reference	0001 00-5
Preparation for Storage or Shipment	0001 00-5
Reporting Equipment Improvement Recommendations (EIR)	0001 00-5
Safety, Care, and Handling	0001 00-9
Scope	0001 00-1
 Generator	
Drive Belt	
Adjustment	0252 00-2
Installation	0253 00-1
Removal	0253 00-1
Field Pressure Switch	
Inspection-Acceptance and Rejection Criteria	0323 00-1
Installation	0323 00-2
Removal	0323 00-1
Installation	0255 00-4
Removal	0255 00-1
Turnbuckle Parts	
Installation	0254 00-2
Removal	0254 00-1
Variable Speed Drive	
Installation	0249 00-3
Removal	0249 00-2
 Generator Set, Enclosure	
Installation	0674 00-3
Removal	0674 00-2
 Glow Plug	
Cable Assembly, Smoke Generator	
Installation	0772 00-4
Removal	0772 00-2
Controller	
Installation	0210 00-3
Removal	0210 00-1
Controller Mounting Bracket	
Installation	0212 00-2
Removal	0212 00-1
Harness and Glow Plugs	
Installation	0209 00-3
Removal	0209 00-1
Power Harness	
Installation	0211 00-2
Removal	0211 00-1
 Governor Assembly	
Installation	0397 00-2
Removal	0397 00-1

INDEX, cont'd

<u>Subject</u>	<u>WP Sequence No.-Page No.</u>
Grenade Stowage Box	
Installation	0610 00-1
Removal	0610 00-1
Grill	
Air Intake Elbow and Hose	
Installation	0174 00-2
Removal	0174 00-1
Power Plant	
Installation	0465 00-3
Lower	0464 00-9
Raise	0464 00-2
Removal	0465 00-1
Support Arm	
Installation	0467 00-2
Removal	0467 00-1
Ground Lead	
Auxiliary Power (Slave) Receptacle	
Installation	0379 00-3
Removal	0379 00-1
Horn	
Installation	0336 00-3
Removal	0336 00-1
Ground Strap, W12	
Installation	0846 00-2
Removal	0846 00-1
Guard	
Antenna	
Installation	0575 00-2
Removal	0575 00-1
Driver's Hatch Night Vision	
All Except M58	
Installation	0536 00-1
Removal	0536 00-1
M58 Only	
Installation	0536 01-2
Removal	0536 01-1
Headlight	
Installation	0446 00-2
Removal	0446 00-1
Stoplight-Taillight	
Installation	0298 00-4
Removal	0298 00-1

INDEX, cont'd

<u>Subject</u>	<u>WP Sequence No.-Page No.</u>
H	
Hand Throttle Control Cable	
Installation	0219 00-4
Removal	0219 00-1
Handle and Arms, Ramp Lock	
Installation	0524 00-2
Removal	0524 00-1
Harness	
Cascade Remote	
Installation	0847 00-3
Removal	0847 00-1
W32	
Installation	0848 00-4
Removal	0848 00-1
Hatch, Mortar, Interior Release Mechanism	
Installation	0481 00-3
Removal	0481 00-1
Headlight	
Blackout	
Assembly	0306 00-2
Disassembly	0306 00-1
Installation	0305 00-2
Removal	0305 00-1
Guard	
Installation	0446 00-2
Removal	0446 00-1
High Beam Selector Switch	
Installation	0333 00-2
Removal	0333 00-1
Service	
Assembly	0304 00-3
Disassembly	0304 00-2
Inspection	0304 00-1
Installation	0303 00-2
Removal	0303 00-1
Wiring Harness, Right	
Inspect and Repair	0373 00-3
Installation	0373 00-3
Removal	0373 00-1
Heat Exchanger	
Battery Box	
Installation	0718 00-2
Removal	0718 00-1
Battery Drawer	
Cleaning	0719 00-2
Inspection-Acceptance and Rejection Criteria	0719 00-2
Installation	0719 00-2
Removal	0719 00-1

INDEX, cont'd

<u>Subject</u>	<u>WP Sequence No.-Page No.</u>
Heat Shield, Turbo Exhaust Pipe, Left/Right	
Installation	0226 00-3
Removal	0226 00-1
Heater, Water/Ration Mount Bracket	
Installation	0811 00-2
Removal	0811 00-1
Hinges, Turbine Access Door	
Installation	0487 00-3
Removal	0487 00-2
Hold-Open Hook and Bumper	
Cargo Hatch	
Installation	0474 00-3
Removal	0474 00-2
Commander's Cupola	
Installation	0494 00-2
Removal	0494 00-1
Driver's Hatch	
M113A3, M1059A3, M1064A3, and M58	
Installation	0532 00-2
Removal	0532 00-1
M577A3 and M1068A3	
Cleaning	0533 00-2
Installation	0533 00-3
Removal	0533 00-1
Repair or Replacement	0533 00-2
Hook and Bumper, Commander's Hatch	
Installation	0501 00-4
Removal	0501 00-2
Hopper Hatch	
Adjustment	0484 00-4
Installation	0484 00-3
Lock Assembly	
Adjustment	0483 00-2
Assembly	0483 00-2
Disassembly	0483 00-1
Removal	0484 00-1
Horizontal Ammunition Rack	
Assembly	0607 00-4
Cleaning	0607 00-4
Disassembly	0607 00-1
Inspection-Acceptance and Rejection Criteria	0607 00-4
Installation	0606 00-2
Removal	0606 00-1

INDEX, cont'd

<u>Subject</u>	<u>WP Sequence No.-Page No.</u>
Horn	
Ground Lead	
Installation	0336 00-3
Removal	0336 00-1
Switch	
All Except M58	
Installation	0293 00-2
Removal	0293 00-1
M58 Only	
Installation	0293 01-2
Removal	0293 01-1
Hose	
Auxiliary Power Unit Bulkhead-to-Hull Fuel Supply	
Installation	0678 00-4
Removal	0678 00-1
Battery Plate to Battery Plate	
Installation	0722 00-2
Removal	0722 00-1
Bulkhead to Ramp Cylinder	
Installation	0665 00-2
Removal	0665 00-1
Coolant Heater	
Engine to Battery Box	
Installation	0714 00-4
Removal	0714 00-2
Filter Valve	
Installation	0716 00-2
Removal	0716 00-1
Fuel Inlet	
Installation	0712 00-3
Removal	0712 00-1
Fuel Pump	
Installation	0711 00-2
Removal	0711 00-1
Pump to Battery Box	
Installation	0713 00-3
Removal	0713 00-1
Coolant Heater to Engine Elbow	
Installation	0715 00-2
Removal	0715 00-1
Coolant Heater to Surge Tank	
Installation	0725 00-1
Removal	0725 00-1
Engine	
Fuel Return	
Installation	0201 00-3
Removal	0201 00-1
Fuel Supply	
Installation	0200 00-3
Removal	0200 00-1

INDEX, cont'd

<u>Subject</u>	<u>WP Sequence No.-Page No.</u>
Fuel Pump Tee to Elbow	
Installation	0721 00-3
Removal	0721 00-1
Fuel Pump to Bulkhead Connection	
Installation	0691 00-2
Removal	0691 00-1
Fuel Vent	
Installation	0198 00-4
Removal	0198 00-1
Personnel Heater	
M1064A3 Only	
Installation	0688 00-5
Removal	0688 00-1
M577A3 and M1068A3	
Installation	0700 00-3
Removal	0700 00-2
Personnel Heater Fuel Pump	
Installation	0689 00-3
Removal	0689 00-2
Quick Disconnect to Adapter Access Plate, Fog Oil Tank	
Installation	0769 00-2
Removal	0769 00-1
Thermostat to Variable Speed Fan Drive	
Installation	0250 00-4
Removal	0250 00-2
Upper Coolant and Tube	
Installation	0232 00-4
Removal	0232 00-2
Variable Speed Drive Override Switch	
Installation	0251 01-2
Removal	0251 01-1
Hose Assemblies, NBC	
Installation	0915 00-3
Removal	0915 00-1
Hoses, Tubes, and Fittings	
Fuel Supply	
M1064A3 Only	
Installation	0194 00-9
Removal	0194 00-2
M113A3, M1059A3, and M58	
Installation	0192 00-9
Removal	0192 00-2
M577A3 and M1068A3	
Installation	0193 00-5
Removal	0193 00-1
Hull, Welding	
Aluminum Castings	0529 00-1
Fuel Tanks	0529 00-3

INDEX, cont'd

<u>Subject</u>	<u>WP Sequence No.-Page No.</u>
General Welding Instructions	0529 00-4
Magnesium Castings	0529 00-2
MIG Welding Method	0529 00-5
Plastic Molding Material	0529 00-3
Safety Precautions	0529 00-1
Welding Near Mortar Ring (M1064A3 Only)	0529 00-4
 Hydraulic Hoses, Power Plant	
Installation	0668 00-3
Removal	0668 00-1
 Hydraulic Pump, Ramp	
Installation	0655 00-3
Removal	0655 00-2
 Hydraulic Reservoir	
Assembly	0672 00-3
Breather	
Cleaning	0670 00-2
Installation	0670 00-2
Removal	0670 00-1
Clean, Inspect, and Repair	0669 00-2
Disassembly	0672 00-1
Installation	0669 00-3, 0671 00-3
Removal	0669 00-1, 0671 00-1
 I 	
Idler	
Arm	
Installation	0246 00-2
Removal	0246 00-1
Pulley/Belts, Coolant Pump	
Installation	0240 00-2
Removal	0240 00-1
Wheel	
Installation	0425 00-2
Removal	0425 00-1
Wheel Arm Assembly	
Installation	0417 00-2
Removal	0417 00-1
Wheel Arm Bearings and Seals	
Cleaning	0418 00-2
Installation	0418 00-2
Removal	0418 00-1
 Igniter	
Inspection-Acceptance and Rejection Criteria	0730 00-2
Installation	0730 00-2
Removal	0730 00-1

INDEX, cont'd

<u>Subject</u>	<u>WP Sequence No.-Page No.</u>
Ignition Coil, Air Box Heater	
Installation	0208 00-3
Removal	0208 00-1
Indicator Lights	
Installation	0286 00-3
Removal	0286 00-1
Indicators Schematic	0046 00-1
Instrument Panel	
Gauges	
Installation	0285 00-2
Removal	0285 00-1
■ Mounts and Ground Lead (New Configuration)	
Installation	0295 01-2
Removal	0295 01-1
■ Mounts and Ground Lead (Old Configuration)	
Installation	0295 00-4
Removal	0295 00-2
■ New Configuration	
Installation	0279 01-6
Removal	0279 01-1
■ Old Configuration	
Installation	0279 00-5
Removal	0279 00-2
On-Off Switches	
Installation	0282 00-3
Removal	0282 00-1
Special Purpose Cable	
Installation	0290 00-5
Removal	0290 00-1
Warning Lights	
Inspection-Acceptance and Rejection Criteria	0287 00-3
Installation	0287 00-4
Removal	0287 00-2
Instrument Warning Light Panel	
All Except M58	
Installation	0292 00-2
Removal	0292 00-1
M58 Only	
Installation	0288 00-2
Removal	0288 00-1
Intercom Amplifier	
Installation	0888 00-2
Removal	0888 00-1
Intercommunications Set Control	
Installation	0885 00-2
Removal	0885 00-1

INDEX, cont'd

<u>Subject</u>	<u>WP Sequence No.-Page No.</u>
Interior Latch	
Cargo Hatch	
Adjustment	0475 00-5
Installation	0475 00-3
Removal	0475 00-1
Commander's Cupola	
Installation	0496 00-2
Removal	0496 00-1
Commander's Hatch	
Adjustment	0502 00-2
Installation	0502 00-2
Removal	0502 00-1
Driver's Hatch	
Installation	0534 00-2
Removal	0534 00-1
Inverter	
AC Cable (W5)	
Installation	0839 00-3
Removal	0839 00-1
Convert Primary to Slave	0830 01-1
DC Cable (W6)	
Installation	0840 00-3
Removal	0840 00-1
Housing A2 Terminal Blocks TB1 and TB2	
Installation	0830 00-4
Removal	0830 00-1
J	
Jump Seat, Commander's	
Installation	0563 00-3
Removal	0563 00-1
K	
Kits	
Armor (M1064A3 Only)	
Installation	0751 01-1
Removal	0751 01-3
Litter	
Installation	0741 00-1
Mine Armor	
Cover Armor Plate	
Install	0752 00-4
Remove	0752 00-6
Mine Armor Plate	
Install	0752 00-1
Remove	0752 00-6

INDEX, cont'd

<u>Subject</u>	<u>WP Sequence No.-Page No.</u>
Sponson Armor Plate	
Install	0752 00-5
L	
Lamp, Transmission Range Controller	
Installation	0388 00-2
Removal	0388 00-1
LAN	
Cable (W40) Single Point	
Installation	0851 00-3
Removal	0851 00-1
Cable, A or B (W103/W104)	
Installation	0854 00-3
Removal	0854 00-1
Ground Box Assembly A15	
Assembly	0821 00-2
Disassembly	0821 00-1
Installation	0820 00-2
Removal	0820 00-1
Lanyard and Pin, Quick Release, Steering Wheel	
Installation	0431 00-2
Removal	0431 00-1
Lead	
Circuit 44A, Power Control Enclosure	
Installation	0829 00-3
Removal	0829 00-1
Circuit 49, Master Switch to Distribution Box	
M113A3, M1059A3, M1064A3, and M58	
Inspection-Acceptance and Rejection Criteria	0266 00-2
Installation	0266 00-3
Removal	0266 00-1
M577A3 and M1068A3	
Inspection-Acceptance and Rejection Criteria	0267 00-2
Installation	0267 00-3
Removal	0267 00-1
Circuit 50, Master Switch to Auxiliary Power Receptacle	
Inspection-Acceptance and Rejection Criteria	0268 00-2
Installation	0268 00-3
Removal	0268 00-1
Circuit 6, Battery to Master Switch	
M1064A3 Only	
Installation	0358 00-5
Removal	0358 00-1
M113A3 and M1059A3	
Installation	0356 00-4
Removal	0356 00-1

INDEX, cont'd

<u>Subject</u>	<u>WP Sequence No.-Page No.</u>
M577A3 and M1068A3	
Installation	0357 00-4
Removal	0357 00-1
Utility Outlet Assembly	
Inspect and Repair	0377 00-2
Installation	0377 00-2
Removal	0377 00-1
Lead Assembly, Master Switch Panel Dome Lights	
Installation	0380 00-3
Removal	0380 00-1
Leads and Terminals, Battery	
M1064A3 Only (Left Side)	
Cleaning	0343 00-5
Installation	0343 00-5
Removal	0343 00-1
M1064A3 Only (Right Side)	
Cleaning	0344 00-3
Installation	0344 00-4
Removal	0344 00-1
M113A3 and M1059A3	
Clean and Inspect	0340 00-3
Installation	0340 00-4
Removal	0340 00-1
M577A3 and M1068A3	
Clean and Inspect	0341 00-3
Installation	0341 00-4
Removal	0341 00-1
M58 Only	
Cleaning	0345 00-3
Installation	0345 00-4
Removal	0345 00-1
Left Side Rack Base	
Installation	0616 00-3
Removal	0616 00-1
Lens, Dome Light	
Installation	0313 00-3
Removal	0313 00-1
Lever and Cable, Ramp Lock	
Cleaning, Inspect, and Repair	0525 00-3
Installation	0525 00-3
Removal	0525 00-1
Lid and Latches, External Communication Box A11	
Installation	0818 00-2
Removal	0818 00-1

INDEX, cont'd

<u>Subject</u>	<u>WP Sequence No.-Page No.</u>
Lifting Eye	
Installation	0444 00-1
Removal	0444 00-1
Light	
Blackout Marker	
Assembly	0308 00-2
Disassembly	0308 00-1
Installation	0307 00-2
Removal	0307 00-1
Dome	
All Except M577A3 and M1068A3	
Assembly	0310 00-3
Disassembly	0310 00-1
Installation	0309 00-2
Removal	0309 00-1
M577A3 and M1068A3	
Assembly	0312 00-3
Disassembly	0312 00-1
Installation	0311 00-3
Removal	0311 00-1
Instrument Panel Warning	
Inspection-Acceptance and Rejection Criteria	0287 00-3
Installation	0287 00-4
Removal	0287 00-2
Left Stoplight-Taillight	
Assembly	0300 00-2
Disassembly	0300 00-1
Installation	0299 00-2
Removal	0299 00-1
Right Stoplight-Taillight	
Assembly	0302 00-2
Disassembly	0302 00-1
Installation	0301 00-2
Removal	0301 00-1
Switch, Main	
Installation	0283 00-2
Removal	0283 00-1
Warning Panel	
All Except M58	
Installation	0294 00-3
Removal	0294 00-1
M58 Only	
Inspection-Acceptance and Rejection Criteria	0294 01-2
Installation	0294 01-3
Removal	0294 01-2
Linkage	
Accelerator	
Adjustment	0214 00-1
Fuel Control	
Installation	0217 00-4
Removal	0217 00-1

INDEX, cont'd

<u>Subject</u>	<u>WP Sequence No.-Page No.</u>
Ramp	
M1064A3 Only	
Inspect and Repair	0528 00-3
Installation	0528 00-3
Removal	0528 00-1
M113A3 and M1059A3	
Installation	0526 00-3
Removal	0526 00-1
M577A3 and M1068A3	
Clean, Inspect, and Repair	0527 00-3
Installation	0527 00-3
Removal	0527 00-1
Service Brake Control	
Adjustment	0407 00-1
Installation	0410 00-7
Removal	0410 00-2
Steering Wheel	
Adjustment	0427 00-1
Installation	0430 00-6
Removal	0430 00-1
Litter Kit	
Chain Assembly	
Assembly	0745 00-4
Disassembly	0745 00-1
Installation	0744 00-2
Removal	0744 00-1
Installation	0741 00-1
Lock, Ramp	
M1064A3 Only	
Adjust Ramp Lock	0523 00-1
M113A3 and M1059A3	
Ramp Lock Adjustment	0521 00-2
Ramp Lock Test	0521 00-1
Ramp Seal Test	0521 00-1
M577A3 and M1068A3	
Adjust Ramp Lock	0522 00-1
M	
M13	
Air Purifier and Frame	
Installation	0779 00-3
Removal	0779 00-1
Filter Switch	
Installation	0805 00-2
Removal	0805 00-1

INDEX, cont'd

<u>Subject</u>	<u>WP Sequence No.-Page No.</u>
Filters and Hoses	
M1068A3 Only	
Installation	0789 00-4
Removal	0789 00-1
M577A3 Only	
Installation	0786 00-8
Removal	0786 00-2
Heater	
Installation	0798 00-4
Removal	0798 00-1
Hoses	
Installation	0790 00-6
Removal	0790 00-2
Orifice Connector Assembly, Bracket, and Quick Coupling Half	
Installation	0781 00-2
Removal	0781 00-1
Wiring Harness	
M1068A3 Only	
Installation	0809 00-6
Removal	0809 00-2
M577A3 Only	
Installation	0808 00-4
Removal	0808 00-2
M14	
Cables and Switch Assembly	
Installation	0799 00-3
Removal	0799 00-1
Hoses and Brackets	
Installation	0783 00-4
Removal	0783 00-1
Wiring Harness	
Installation	0807 00-4
Removal	0807 00-1
M3	
Control Box	
M1068A3 Only	
Installation	0793 00-3
Removal	0793 00-1
Control Box, Regulator, and Bracket	
M113A3 Only	
Installation	0791 00-4
Removal	0791 00-1
Heaters and Controllers	
M1059A3 Only	
Installation	0797 00-6
Removal	0797 00-1
M113A3 Ambulance Only	
Installation	0795 00-4
Removal	0795 00-1
M113A3 Only	
Installation	0794 00-4
Removal	0794 00-2

INDEX, cont'd

<u>Subject</u>	<u>WP Sequence No.-Page No.</u>	
Hoses and Fittings		
M1059A3 Only		
Installation	0788 00-5	
Removal	0788 00-1	
M113A3 Ambulance Only		
Installation	0784 00-4	
Removal	0784 00-1	
M113A3 Only		
Installation	0782 00-4	
Removal	0782 00-1	
Wiring Harness		
Installation	0806 00-3	
Removal	0806 00-1	
M8A3		
Hoses and Brackets		
Installation	0787 00-4	
Removal	0787 00-1	
M8A3/M14 Orifice Connector Assembly, Support, and Quick Coupling Half		
Installation	0780 00-4	
Removal	0780 00-1	
M8A3/M3		
Filter Switch		
Installation	0804 00-3	
Removal	0804 00-1	
Machine Gun Mount		
Commander's Cupola		
Assembly	0498 00-2	
Disassembly	0498 00-1	
Installation	0497 00-1	
Removal	0497 00-1	
Stops		
Installation	0499 00-3	
Removal	0499 00-1	
Maintenance Allocation Chart (MAC)		0925 00-1
Map Board		
M1068A3 Only		
Installation	0618 00-3	
Removal	0618 00-1	
M577A3 Only		
Installation	0580 00-2	
Removal	0580 00-1	
Map Storage Box		
Assembly	0620 00-2	

INDEX, cont'd

<u>Subject</u>	<u>WP Sequence No.-Page No.</u>
Disassembly	0620 00-1
Installation	0619 00-2
Removal	0619 00-1
 Master Switch	
Installation	0262 00-3
Removal	0262 00-1
 Master Switch Panel Assembly	
M113A3, M1059A3, M1064A3, and M58	
Installation	0260 00-4
Removal	0260 00-1
M577A3 and M1068A3	
Installation	0261 00-4
Removal	0261 00-1
 Master Switch Panel, Dome Lights Lead Assembly	
Installation	0380 00-3
Removal	0380 00-1
 Master Switch to Auxiliary Power Receptacle Lead, Circuit 50	
Inspection-Acceptance and Rejection Criteria	0268 00-2
Installation	0268 00-3
Removal	0268 00-1
 Master Switch to Distribution Box Lead, Circuit 49	
M113A3, M1059A3, M1064A3, and M58	
Inspection-Acceptance and Rejection Criteria	0266 00-2
Installation	0266 00-3
Removal	0266 00-1
M577A3 and M1068A3	
Inspection-Acceptance and Rejection Criteria	0267 00-2
Installation	0267 00-3
Removal	0267 00-1
 Mine Armor Kit	
Cover Armor Plate	
Install	0752 00-4
Remove	0752 00-6
Mine Armor Plate	
Install	0752 00-1
Remove	0752 00-6
Sponson Armor Plate	
Install	0752 00-5
 Mortar Base Stowage Bracket	
Installation	0615 00-3
Removal	0615 00-1

INDEX, cont'd

<u>Subject</u>	<u>WP Sequence No.-Page No.</u>
Mortar Fire Control System	
Commander's Interface Bracket Assembly	
M1064A3 Only	
Installation	0812 03-3
Removal	0812 03-2
Repair	0812 03-3
M577A3 Only	
Installation	0812 02-3
Removal	0812 02-1
Repair	0812 02-3
DAGR Holder Mounting Bracket and Shock Isolator	
Installation	0812 16-2
Removal	0812 16-1
General Maintenance	
.	0812 01-1
Gunner's Display, Alternate Location	
Installation	0812 15-2
Removal	0812 15-1
M1064A3 Only	
Cables	
Installation	0812 14-14
Removal	0812 14-1
Repair	0812 14-13
Driver's Display Assembly (M1064 Only)	
Disassembly	0812 10-2
Installation	0812 10-6
Removal	0812 10-1
Repair or Replacement	0812 10-3
Driver's Display Exterior Mounting Ball	
Installation	0812 11-2
Removal	0812 11-1
Repair	0812 11-1
Power Distribution Assembly	
Installation	0812 05-3
Removal	0812 05-2
Repair	0812 05-2
Precision Lightweight GPS Receiver (PLGR) and Bracket	
Installation	0812 08-3
Removal	0812 08-1
Repair	0812 08-2
Precision Lightweight GPS Receiver (PLGR) Antenna and Antenna Bracket	
Installation	0812 09-2
Removal	0812 09-1
Repair	0812 09-2
Travel Lock Adapter	
Installation	0812 13-2
Removal	0812 13-1
Repair	0812 13-2
Vehicle Motion Sensor Assembly	
Installation	0812 12-3
Removal	0812 12-1
Repair	0812 12-2

INDEX, cont'd

<u>Subject</u>	<u>WP Sequence No.-Page No.</u>
M577A3	
Cable Hanger	
Installation	0812 06-2
Removal	0812 06-1
Repair	0812 06-1
M577A3 Only	
Installation	0812 07-6
Power Distribution Assembly	
Installation	0812 04-3
Removal	0812 04-2
Repair	0812 04-3
Removal	0812 07-1
Repair	0812 07-5
Mortar Hatch	
Cover	
Installation	0482 00-3
Removal	0482 00-2
Exterior Catches and Bumpers	
Adjustment	0480 00-5
Installation	0480 00-4
Removal	0480 00-1
Interior Release Mechanisms	
Installation	0481 00-3
Removal	0481 00-1
Mount	
AC and DC Power Extension Boxes A6 and A9	
Installation	0834 00-3
Removal	0834 00-1
Commander's Cupola Machine Gun	
Installation	0497 00-1
Removal	0497 00-1
Dome Light	
Assembly	0312 00-3
Disassembly	0312 00-1
Installation	0311 00-3
Removal	0311 00-1
Driver's Hatch Night Vision	
Installation	0537 01-3
Removal	0537 01-2
Driver's Night Vision	
Installation	0537 00-2
Removal	0537 00-1
Engine	
Installation	0158 00-2
Removal	0158 00-1
Fixed Fire Extinguisher	
Installation	0898 00-4
Removal	0898 00-2
Portable Fire Extinguisher	
All Except M1068A3	
Installation	0895 00-3
Removal	0895 00-1

INDEX, cont'd

<u>Subject</u>	<u>WP Sequence No.-Page No.</u>
M1059A3 Only	
Inspection-Acceptance and Rejection Criteria	0896 00-3
Installation	0896 00-3
Removal	0896 00-1
M1068A3 Only	
Assembly	0897 00-4
Disassembly	0897 00-3
Installation	0897 00-5
Removal	0897 00-1
Printer	
Installation	0823 00-3
Removal	0823 00-1
Ramp Door Switch	
Adjustment	0335 00-4
Inspection-Acceptance and Rejection Criteria	0335 00-2
Installation	0335 00-3
Removal	0335 00-1
Shock Absorber	
Installation	0436 00-2
Removal	0436 00-1
Transmission	
Installation	0385 00-3
Removal	0385 00-1
Mount and Bracket, APIU Rack	
Installation	0813 00-2
Removal	0813 00-1
Mounting Blocks, Fuel Valve	
Installation	0199 00-3
Removal	0199 00-1
Mounting Bracket	
Commander's Display (DVE)	
Installation	0866 06-5
Removal	0866 06-1
Driver's Display (DVE)	
Installation	0866 02-5
Removal	0866 02-1
NBC Filter	
Installation	0803 00-3
Removal	0803 00-2
NBC Orifice Connector Assembly	
Installation	0916 00-5
Removal	0916 00-1
Water/Ration Heater	
Installation	0811 00-2
Removal	0811 00-1
Mounts and Ground Lead, Instrument Panel	
New Configuration	
Installation	0295 01-2
Removal	0295 01-1

INDEX, cont'd

<u>Subject</u>	<u>WP Sequence No.-Page No.</u>
Old Configuration	
Installation	0295 00-4
Removal	0295 00-2
MSD/ICE	
Crew Wiring Harness	
M1064A3 Only	
Inspection-Acceptance and Rejection Criteria	0881 00-4
Installation	0881 00-4
Removal	0881 00-1
Repair or Replacement	0881 00-4
M113A3 and M1059A3	
Inspection-Acceptance and Rejection Criteria	0878 00-4
Installation	0878 00-4
Removal	0878 00-1
Repair or Replacement	0878 00-4
M577A3 and M1068A3	
Inspection-Acceptance and Rejection Criteria	0879 00-4
Installation	0879 00-5
Removal	0879 00-1
Repair or Replacement	0879 00-5
Distribution Box	
M1064A3 Only	
Installation	0877 00-3
Removal	0877 00-1
M113A3 and M1059A3	
Installation	0874 00-3
Removal	0874 00-1
M577A3 and M1068A3	
Installation	0875 00-2
Removal	0875 00-1
Engine Wiring Harness	
Inspection-Acceptance and Rejection Criteria	0882 00-4
Installation	0882 00-5
Removal	0882 00-1
Repair or Replacement	0882 00-5
Pulse Tachometer	
Installation	0867 00-3
Removal	0867 00-1
Schematic	0136 00-1
Shunt	
M1064A3 Only	
Installation	0873 00-3
Removal	0873 00-1
M113A3 and M1059A3	
Installation	0870 00-4
Removal	0870 00-1
M577A3 and M1068A3	
Installation	0871 00-3
Removal	0871 00-2

INDEX, cont'd

<u>Subject</u>	<u>WP Sequence No.-Page No.</u>
Shunt Guard	
Cleaning	0868 00-3
Installation	0868 00-3
Removal	0868 00-1
Muffler	
Exhaust and Bracket	
Installation	0224 00-2
Removal	0224 00-1
Extension and Cap	
Installation	0223 00-3
Removal	0223 00-1
N	
NBC	
Air Purifier and Frame	
M1059A3 Only	
Installation	0777 00-2
Removal	0777 00-1
M1059A3 Only with M3 Heater	
Installation	0778 00-3
Removal	0778 00-1
M113A3 Only	
Installation	0775 00-2
Removal	0775 00-1
M577A3 Only	
Installation	0776 00-2
Removal	0776 00-1
M58 Only	
Installation	0914 00-2
Removal	0914 00-1
Cable Assembly	
M113A3 Only	
Installation	0800 00-3
Removal	0800 00-1
M58 Only	
Installation	0917 00-3
Removal	0917 00-1
Filter Switch	
M1059A3 Only	
Installation	0804 00-3
Removal	0804 00-1
M1068A3 Only	
Installation	0805 00-2
Removal	0805 00-1
M113A3 Only	
Installation	0802 00-3
Removal	0802 00-1
M577A3 Only	
Installation	0803 00-3
Removal	0803 00-2

INDEX, cont'd

<u>Subject</u>	<u>WP Sequence No.-Page No.</u>
Heaters and Controllers	
M1059A3 Only	
Installation	0797 00-6
Removal	0797 00-1
M113A3 Ambulance Only	
Installation	0795 00-4
Removal	0795 00-1
M113A3 Only	
Installation	0794 00-4
Removal	0794 00-2
Heaters and Mounts	
M577A3 Only	
Installation	0796 00-4
Removal	0796 00-2
Hoses	
M1068A3 Only	
Installation	0790 00-6
Removal	0790 00-2
M113A3 Ambulance Only	
Installation	0783 00-4
Removal	0783 00-1
M58 Only	
Installation	0915 00-3
Removal	0915 00-1
M13 Filters and Hoses	
M1068A3 Only	
Installation	0789 00-4
Removal	0789 00-1
M577A3 Only	
Installation	0786 00-8
Removal	0786 00-2
M13 Heater	
Installation	0798 00-4
Removal	0798 00-1
M14 Air Purifier and Frame	
M113A3 Only	
Installation	0774 00-2
Removal	0774 00-1
M3 Control Box, Regulator, and Bracket	
Installation	0791 00-4
Removal	0791 00-1
M3 Heater Control Box	
M1068A3 Only	
Installation	0793 00-3
Removal	0793 00-1
M3 Hoses and Fittings	
M1059A3 Only	
Installation	0788 00-5
Removal	0788 00-1
M113A3 Ambulance Only	
Installation	0784 00-4
Removal	0784 00-1

INDEX, cont'd

<u>Subject</u>	<u>WP Sequence No.-Page No.</u>
M113A3 Only	
Installation	0782 00-4
Removal	0782 00-1
M8A3 Hoses and Brackets	
Installation	0787 00-4
Removal	0787 00-1
Orifice Connector Assembly, Mounting Bracket, and Switch	
Installation	0916 00-5
Removal	0916 00-1
Wiring Harness	
M1059A3 Only	
Installation	0806 00-3
Removal	0806 00-1
M1068A3 Only	
Installation	0809 00-6
Removal	0809 00-2
M113A3 Ambulance Only	
Installation	0807 00-4
Removal	0807 00-1
M577A3 Only	
Installation	0808 00-4
Removal	0808 00-2
Night Vision Guard, Driver's Hatch	
All Except M58	
Installation	0536 00-1
Removal	0536 00-1
M58 Only	
Installation	0536 01-2
Removal	0536 01-1
Non-Skid Plates	
Installation	0738 00-2
Removal	0738 00-1
O	
Oil Can Bracket	
Installation	0574 00-1
Removal	0574 00-1
Oil Cooler Hoses, Fittings, and Mounting (Transmission)	
Installation	0399 00-8
Removal	0399 00-1
Oil Filter Element	
Cleaning	0165 00-1
Installation	0165 00-2
Removal	0165 00-1

INDEX, cont'd

<u>Subject</u>	<u>WP Sequence No.-Page No.</u>
Oil Gauge Rod/Tube	
Installation	0164 00-2
Removal	0164 00-1
On-Off Switches, Instrument Panel	
Installation	0282 00-3
Removal	0282 00-1
Operator's Intercommunication Set Cable	
Installation	0894 00-2
Removal	0894 00-1
Operator's Seat	
Assembly	0567 00-3
Disassembly	0567 00-2
Installation	0567 00-4
Removal	0567 00-1
Orifice Connector Assembly, Support, and Quick Coupling Half, M8A3/M14	
Installation	0780 00-4
Removal	0780 00-1
Outlet	
Rear Utility Receptacle	
Inspect and Repair	0378 00-2
Installation	0378 00-2
Removal	0378 00-1
P	
Pad	
Cushioning	
Installation	0570 00-1
Removal	0570 00-1
Track Shoe	
T130	
Installation	0424 00-2
Removal	0424 00-1
T150	
Installation	0424 01-2
Removal	0424 01-1
Pamphlet Bag Mounting	
Installation	0442 00-2
Removal	0442 00-1
Panel	
Driver's Power Plant Access	
Installation	0441 00-3
Removal	0441 00-1
Lights	
Installation	0286 00-3
Removal	0286 00-1

INDEX, cont'd

<u>Subject</u>	<u>WP Sequence No.-Page No.</u>
Panel Assembly	
Instrument (New Configuration)	
Installation	0279 01-6
Removal	0279 01-1
Instrument (Old Configuration)	
Installation	0279 00-5
Removal	0279 00-2
Parking Brake	
Adjustment	0408 00-1
Control Cable Assembly	
Installation	0411 00-4
Removal	0411 00-1
Control Lever Assembly	
Installation	0412 00-3
Removal	0412 00-1
Switch/Bracket	
Clean and Inspect	0331 00-3
Installation	0331 00-3
Removal	0331 00-1
Periscope Stowage Box	
Installation	0611 00-2
Removal	0611 00-1
Personnel Heater	
Air Intake and Exhaust Pipes	
All Except M1064A3	
Installation	0682 00-3
Removal	0682 00-1
M1064A3 Only	
Installation	0683 00-3
Removal	0683 00-1
All Except M1064A3	
Installation	0703 00-4
Removal	0703 00-1
Control Box	
Assembly	0702 00-5
Disassembly	0702 00-1
Installation	0701 00-3
Removal	0701 00-1
Repair or Replacement	0702 00-4
Control Box and Intercom Box Bracket	
Installation	0617 00-2
Removal	0617 00-1
Duct	
Installation	0706 00-3, 0707 00-2
Removal	0706 00-2, 0707 00-1
Fuel Filter	
Clean, Inspection, and Repair	0680 00-3

INDEX, cont'd

<u>Subject</u>	<u>WP Sequence No.-Page No.</u>
Installation	0680 00-3
Removal	0680 00-2
Fuel Filter/Bracket	
Installation	0698 00-2
Removal	0698 00-1
Fuel Line	
Bleed Air From System	0679 00-1
Fuel Pump	
Assembly	0681 00-2
Cleaning	0681 00-2
Disassembly	0681 00-2
M1064A3 Only	
Installation	0697 00-3
Removal	0697 00-1
M113A3, M1059A3, and M58	
Installation	0695 00-2
Removal	0695 00-1
M577A3 and M1068A3	
Installation	0696 00-4
Removal	0696 00-1
Fuel Pump Hose	
Installation	0689 00-3
Removal	0689 00-2
Fuel Supply Hoses	
Installation	0685 00-3
Removal	0685 00-2
Fuel Tube	
Installation	0686 00-2
Removal	0686 00-1
Heater Assembly	
Repair or Replacement	0705 00-1
Hose	
Fuel Pump to Bulkhead Connection	
Installation	0692 00-3
Removal	0692 00-2
Fuel Pump to Fuel Shutoff Valve	
Installation	0694 00-3
Removal	0694 00-1
Fuel Tank to Fuel Pump	
Installation	0690 00-3
Removal	0690 00-2
M1064A3 Only	
Installation	0704 00-5
Removal	0704 00-2
Schematic	0085 00-1
Tube, Bulkhead Connection to Heater	
Installation	0687 00-3
Removal	0687 00-1
Wiring Harness Guide	
Installation	0707 01-3
Removal	0707 01-1

INDEX, cont'd

<u>Subject</u>	<u>WP Sequence No.-Page No.</u>
Personnel Seats, Backrests, Cushions, and Belts	
M1059A3 Only	
Installation	0549 00-3
Removal	0549 00-1
M1064A3 Only	
Installation	0550 00-3
Removal	0550 00-1
Personnel Seats, Cushions, and Belts	
M113A3 Only	
Installation	0546 00-2
Removal	0546 00-1
M577A3 Only	
Installation	0547 00-3
Removal	0547 00-1
Pin	
Shock Absorber	
Installation	0437 00-2
Removal	0437 00-1
Spall Liner Quick Release	
Installation	0506 00-3
Removal	0506 00-1
Steering Wheel Quick Release	
Installation	0431 00-2
Removal	0431 00-1
Pintle, Towing	
Assembly	0434 00-2
Disassembly	0434 00-1
Installation	0433 00-2
Removal	0433 00-1
Pipes	
Coolant Heater Exhaust	
Installation	0724 00-2
Removal	0724 00-1
Front Bilge Pump	
Installation	0631 00-3
Removal	0631 00-1
Rear Bilge Pump	
Installation	0634 00-2
Removal	0634 00-1
Plates	
Driver's Compartment Floor	
Cleaning	0453 00-2
Installation	0453 00-2
Removal	0453 00-1
Non-Skid	
Installation	0738 00-2
Removal	0738 00-1

INDEX, cont'd

<u>Subject</u>	<u>WP Sequence No.-Page No.</u>
Rear Tiedown	
Installation	0445 00-2
Removal	0445 00-1
Spall Liner	
Installation	0506 00-3
Removal	0506 00-1
Platform, Commander's	
M113A3, M1059A3, M1064A3, and M58	
Assembly	0559 00-4
Disassembly	0559 00-2
Installation	0559 00-6
Removal	0559 00-1
M577A3 and M1068A3	
Assembly	0564 00-3
Disassembly	0564 00-2
Inspection-Acceptance and Rejection Criteria	0564 00-3
Installation	0564 00-4
Removal	0564 00-1
Plug	
Final Drive Hull Drain	
Installation	0452 00-2
Removal	0452 00-1
Hull Drain	
Installation	0451 00-2
Removal	0451 00-1
Post	
Commander's	
Assembly	0564 00-3
Disassembly	0564 00-2
Inspection-Acceptance and Rejection Criteria	0564 00-3
Installation	0564 00-4
M1064A3 Only	
Installation	0561 00-2
Removal	0561 00-1
M113A3, M1059A3, and M58	
Installation	0560 00-3
Removal	0560 00-1
Removal	0564 00-1
Driver's Seat	
Assembly	0557 00-4
Disassembly	0557 00-1
Installation	0556 00-2
Removal	0556 00-1
Post Assembly	
Assembly	0743 00-2
Disassembly	0743 00-1

INDEX, cont'd

<u>Subject</u>	<u>WP Sequence No.-Page No.</u>
Installation	0742 00-3
Removal	0742 00-1
 Power Cable	
Driver's Vision Enhancer (DVE) Sensor Set Assembly	
Installation	0866 01-2
Removal	0866 01-1
Test and Inspection	0866 01-1
Intervehicle	
Assembly	0381 00-2
Disassembly	0381 00-1
Water/Ration Heater	
Installation	0810 00-3
Removal	0810 00-1
 Power Control Enclosure	
AC and DC Meters and Light Indicators	
Installation	0827 00-4
Removal	0827 00-1
Circuit 44A Lead	
Installation	0829 00-3
Removal	0829 00-1
Faceplate and Bracket	
Assembly	0828 00-7
Disassembly	0828 00-1
 Power Control Enclosure Assembly, A1	
Installation	0826 00-3
Removal	0826 00-1
 Power Distribution	
Box A3	
Assembly	0831 00-3
Disassembly	0831 00-3
Installation	0831 00-4
Removal	0831 00-1
Cable (W3)	
Installation	0837 00-3
Removal	0837 00-1
 Power Entry Box Assembly A4	
Installation	0832 00-3
Removal	0832 00-1
 Power Extension Box A18 and Bracket	
Installation	0836 00-2
Removal	0836 00-1

INDEX, cont'd

<u>Subject</u>	<u>WP Sequence No.-Page No.</u>
Power Plant	
Block	
Jacking	0157 00-1
Bottom Access Cover	
Cleaning	0450 00-2
Installation	0450 00-3
Removal	0450 00-1
Door	
Adjustment	0472 00-2
All Except M113A3	
Installation	0471 00-2
Removal	0471 00-1
Assembly	0472 00-2
Disassembly	0472 00-1
M113A3 Only	
Installation	0470 00-3
Removal	0470 00-1
Door Combat Lock	
Installation	0473 00-3
Removal	0473 00-1
Grill	
Installation	0465 00-3
Lower	0464 00-9
Raise	0464 00-2
Removal	0465 00-1
Grill Screen	
Installation	0468 00-1
Removal	0468 00-1
Grill Support Arm	
Installation	0467 00-2
Removal	0467 00-1
Rear Access Panels	
Installation	0439 00-2
Removal	0439 00-1
Sling	
Periodic Check	0673 00-2
Preoperative Check	0673 00-8
Power Plant Assembly	
Installation	0156 00-13
Removal	0156 00-1
Power Supply	
Cable, Driver's Vision Enhancer (DVE) AN/VAS-5	
Installation	0866 04-2
Removal	0866 04-1
Storage Box Assembly	
Assembly	0824 00-5
Disassembly	0824 00-3
Installation	0824 00-7
Removal	0824 00-2

INDEX, cont'd

<u>Subject</u>	<u>WP Sequence No.-Page No.</u>
Pressure Switch	
Differential, Bypass Plug	
Installation	0401 00-2
Removal	0401 00-1
Transmission Oil Sampling Valve	
Installation	0400 00-2
Removal	0400 00-1
Preventive Maintenance Checks and Services (PMCS), Including Lubrication Instructions	
Annual	0155 00-1
Semi-Annual	0155 00-1
Printer Mount	
Installation	0823 00-3
Removal	0823 00-1
Propeller Shaft and Universal Joints	
Installation	0405 00-3
Removal	0405 00-1
Pulse Tachometer, MSD/ICE	
Installation	0867 00-3
Removal	0867 00-1
Pump	
Coolant Heater	
Installation	0731 00-2
Removal	0731 00-1
Engine Coolant	
Installation	0241 00-4
Removal	0241 00-1
Hydraulic, Ramp	
Installation	0655 00-3
Removal	0655 00-2
Pump Assembly, Fog Oil	
Installation	0763 00-2
Removal	0763 00-1
Pump Unit, Coolant Heater	
Inspection-Acceptance and Rejection Criteria	0728 00-5
Installation	0728 00-5
Removal	0728 00-1
Push-Pull Control Assembly, Bracket, Links, and Pins	
Installation	0429 00-7
Removal	0429 00-1

INDEX, cont'd

Subject WP Sequence No.-Page No.

Q

Quick Coupling Half	
M13 Orifice	
Installation	0781 00-2
Removal	0781 00-1
M8A3/M14 Orifice Support	
Installation	0780 00-4
Removal	0780 00-1
Quick Release	
Pin and Lanyard, Steering Wheel	
Installation	0431 00-2
Removal	0431 00-1
Pins, Spall Liner	
Installation	0506 00-3
Removal	0506 00-1

R

Rack	
Radio	
M58 Only	
Installation	0891 00-3
Removal	0891 00-1
Radio Stowage	
Left Bulkhead	
Installation	0577 00-2
Removal	0577 00-1
M1064A3 Only	
Installation	0609 00-1
Removal	0609 00-1
Right Front	
Installation	0579 00-1
Removal	0579 00-1
Right Side Base	
Installation	0622 00-3
Removal	0622 00-1
Radiator	
Access Door	
Installation	0469 00-1
Removal	0469 00-1
Cleaning	0228 00-1
Installation	0229 00-4
Outlet Tube and Hoses	
Installation	0233 00-2
Removal	0233 00-1
Removal	0229 00-2
Radio Operator's Seat	
Assembly	0568 00-5
Disassembly	0568 00-3
Installation	0568 00-7
Removal	0568 00-2

INDEX, cont'd

<u>Subject</u>	<u>WP Sequence No.-Page No.</u>
Radio Rack (M58 Only)	
Installation	0891 00-3
Removal	0891 00-1
Radio Stowage Rack	
Left Bulkhead	
Installation	0577 00-2
Removal	0577 00-1
M1064A3 Only	
Installation	0609 00-1
Removal	0609 00-1
Right Front	
Installation	0579 00-1
Removal	0579 00-1
Ramp	
Bracket	
Installation	0516 00-1
Removal	0516 00-1
Control Valve	
External to Internal Relief	
Installation	0660 00-6
Removal	0660 00-1
Hose and Elbow	
Installation	0663 00-3
Removal	0663 00-1
With External Relief Valve	
Repair or Replacement	0659 00-1
With Internal Relief Valve	
Installation	0661 00-4
Removal	0661 00-1
Cylinder	
Cleaning	0656 00-2
Installation	0656 00-3
Removal	0656 00-2
Cylinder Breather Hose	
All Except M1064A3	
Installation	0666 00-3
Removal	0666 00-1
M1064A3 Only	
Installation	0667 00-3
Removal	0667 00-2
Door	
Handles and Shaft	
Adjustment	0519 00-3
Installation	0519 00-2
Removal	0519 00-1
Hook and Spring	
Installation	0518 00-2
Removal	0518 00-1

INDEX, cont'd

<u>Subject</u>	<u>WP Sequence No.-Page No.</u>
Seal	
Installation	0520 00-2
Removal	0520 00-1
Stop Bracket	
Installation	0517 00-1
Removal	0517 00-1
Switch and Mount	
Adjustment	0335 00-4
Inspection-Acceptance and Rejection Criteria	0335 00-2
Installation	0335 00-3
Removal	0335 00-1
Drain Plugs	
Installation	0515 00-1
Removal	0515 00-1
Hydraulic Pump	
Installation	0655 00-3
Removal	0655 00-2
Linkage	
M1064A3 Only	
Inspect and Repair	0528 00-3
Installation	0528 00-3
Removal	0528 00-1
M113A3 and M1059A3	
Installation	0526 00-3
Removal	0526 00-1
M577A3 and M1068A3	
Clean, Inspect, and Repair	0527 00-3
Installation	0527 00-3
Removal	0527 00-1
Lock	
M1064A3 Only	
Adjust Ramp Lock	0523 00-1
M113A3 and M1059A3	
Ramp Lock Adjustment	0521 00-2
Ramp Lock Test	0521 00-1
Ramp Seal Test	0521 00-1
M577A3 and M1068A3	
Adjust Ramp Lock	0522 00-1
Lock Handle and Arms	
Installation	0524 00-2
Removal	0524 00-1
Lock Lever and Cable	
Cleaning, Inspect, and Repair	0525 00-3
Installation	0525 00-3
Removal	0525 00-1
Lower Inoperable/Unsafe Ramp	0513 00-7
Raise Inoperable/Unsafe Ramp	0513 00-2
Schematic	0081 00-1
Seal	
Installation	0514 00-2
Removal	0514 00-1

INDEX, cont'd

<u>Subject</u>	<u>WP Sequence No.-Page No.</u>
Vision Port and Shield	
Cleaning	0586 00-2
Installation	0586 00-3
Removal	0586 00-2
Ramp Wire Rope	
Cleaning	0656 01-1
Inspection	0656 01-2
Lubrication	0656 01-7
Rear Access Panels, Power Plant	
Installation	0439 00-2
Removal	0439 00-1
Rear Compartment Air Ventilator	
Installation	0454 00-2
Removal	0454 00-1
Rear External Stowage Frame	
Installation	0626 00-2
Removal	0626 00-1
Rear Main Wiring Harness	
M1064A3 Only	
Inspect and Repair	0364 00-13
Installation	0364 00-13
Removal	0364 00-1
M1068A3 Only	
Inspect and Repair	0365 00-14
Installation	0365 00-15
Removal	0365 00-2
M113A3, M1059A3, and M58	
Inspect and Repair	0362 00-21
Installation	0362 00-21
Removal	0362 00-2
M577A3 Only	
Inspect and Repair	0363 00-15
Installation	0363 00-15
Removal	0363 00-2
Rear Tiedown Plates	
Installation	0445 00-2
Removal	0445 00-1
Receptacle	
Auxiliary Power (Slave)	
Ground Lead	
Installation	0379 00-3
Removal	0379 00-1

INDEX, cont'd

<u>Subject</u>	<u>WP Sequence No.-Page No.</u>
M113A3, M1059A3, M1064A3, and M58	
Installation	0263 00-2
Removal	0263 00-1
M577A3 and M1068A3	
Installation	0264 00-3
Removal	0264 00-2
Rear Utility Circuit Breakers	
Inspection-Acceptance and Rejection Criteria	0276 00-2
Installation	0276 00-3
Removal	0276 00-1
Rear Utility Outlet	
Inspect and Repair	0378 00-2
Installation	0378 00-2
Removal	0378 00-1
Utility Outlet	
Inspection-Acceptance and Rejection Criteria	0265 00-2
Installation	0265 00-2
Removal	0265 00-1
Reel Holder Assembly, Cable	
Assembly	0604 00-2
Disassembly	0604 00-1
Installation	0603 00-2
Removal	0603 00-1
References	
Forms	0924 00-4
Lubrication Orders	0924 00-4
Other Publications	0924 00-4
Technical Manuals	0924 00-1
Regulator Assembly	
Inspection-Acceptance and Rejection Criteria	0257 00-2
Installation	0257 00-3
Removal	0257 00-1
Regulator, Voltage	
Adjustment	0256 00-1
Remote Cable Assembly (Outback Only)	
Installation	0847 01-8
Removal	0847 01-1
Repair Parts, Special Tools, TMDE, and Support Equipment	
Common Tools and Equipment	0004 00-1
Repair Parts	0004 00-1
Special Tools, TMDE, and Support Equipment	0004 00-1

INDEX, cont'd

<u>Subject</u>	<u>WP Sequence No.-Page No.</u>
Restriction Indicator	
Hose	
Installation	0172 00-3
Removal	0172 00-1
Installation	0171 00-2
Removal	0171 00-1
Retainer	
Air Cleaner	
Installation	0170 00-2
Removal	0170 00-1
Batteries	
M1064A3 Only	
Clean and Inspect	0349 00-2
Installation	0349 00-3
Removal	0349 00-1
M113A3 and M1059A3	
Clean and Inspect	0346 00-3
Installation	0346 00-4
Removal	0346 00-1
M577A3 and M1068A3	
Clean and Inspect	0347 00-3
Installation	0347 00-3
Removal	0347 00-1
Rifle Brackets	
Installation	0573 00-2
Removal	0573 00-1
Rifle Rack	
Installation	0612 00-2
Removal	0612 00-1
Right Equipment Rack, Brackets and Mounts	
Installation	0814 00-2
Removal	0814 00-1
Road Wheel	
Hub	
Cleaning	0416 00-2
Installation	0416 00-3
Removal	0416 00-2
Support Arm, Bearings, and Seals	
Installation	0415 00-4
Removal	0415 00-2
T130 Track	
Inspection and Repair	0426 00-2
Installation	0426 00-3
Removal	0426 00-1
T150 Track	
Inspection	0426 01-1
Installation	0426 01-3
Removal	0426 01-1

INDEX, cont'd

<u>Subject</u>	<u>WP Sequence No.-Page No.</u>
Roadside Data Panel A13	
Installation	0835 00-2
Removal	0835 00-1
S	
Safety Pin Stowage Block, Commander's Cupola	
Installation	0495 00-1
Removal	0495 00-1
Safety Relief Valve	
Tube, Hose, and Fittings	
Repair or Replacement	0662 00-1
Sampling Valve, Transmission Oil	
Installation	0400 00-2
Removal	0400 00-1
Schematic	
Bilge Pump	0078 00-1
Coolant Heater	0087 00-1
Electrical	0027 00-1
Engine Air Box Heater	0013 00-1
Engine Charging System	0007 00-1
Engine Fuel System	
All Except M577A3 and M1068A3	0009 00-1
M577A3 and M1068A3	0010 00-1
Engine Starter Circuit	0011 00-1
Indicators	0046 00-1
MSD/ICE	0136 00-1
Personnel Heater	0085 00-1
Ramp	0081 00-1
Steering Lock	
Cable-Activated Lock	0075 00-1
Solenoid-Activated Lock	0074 00-1
Transmission System	0060 00-1
Seal	
Cargo Hatch	
Installation	0478 00-1
Removal	0478 00-1
Idle Wheel Arm	
Cleaning	0418 00-2
Installation	0418 00-2
Removal	0418 00-1
Oil, Final Drive Differential	
Installation	0404 00-2
Removal	0404 00-1
Ramp	
Installation	0514 00-2
Removal	0514 00-1

INDEX, cont'd

<u>Subject</u>	<u>WP Sequence No.-Page No.</u>
Ramp Door	
Installation	0520 00-2
Removal	0520 00-1
Road Wheel Support	
Installation	0415 00-4
Removal	0415 00-2
Seat	
Commander's	
M1064A3 Only	
Installation	0561 00-2
Removal	0561 00-1
M1068A3 Only	
Assembly	0566 00-3
Disassembly	0566 00-2
Installation	0566 00-6
Removal	0566 00-1
M113A3, M1059A3, and M58	
Installation	0560 00-3
Removal	0560 00-1
M113A3, M1059A3, M1064A3, and M58	
Assembly	0562 00-4
Cleaning	0562 00-4
Disassembly	0562 00-1
Commander's Jump	
Installation	0563 00-3
Removal	0563 00-1
Driver's	
Assembly	0552 00-2
Back Assembly	
Assembly	0554 00-1
Disassembly	0554 00-1
Installation	0553 00-2
Removal	0553 00-1
Disassembly	0552 00-1
Impact Absorber	
Installation	0555 00-1
Removal	0555 00-1
Installation	0551 00-2
Removal	0551 00-1
Personnel	
M1059A3 Only	
Installation	0549 00-3
Removal	0549 00-1
M1064A3 Only	
Installation	0550 00-3
Removal	0550 00-1
M113A3 Only	
Installation	0546 00-2
Removal	0546 00-1

INDEX, cont'd

<u>Subject</u>	<u>WP Sequence No.-Page No.</u>
M577A3 Only	
Installation	0547 00-3
Removal	0547 00-1
Radio Operator's	
Assembly	0568 00-5
Disassembly	0568 00-3
Installation	0568 00-7
Removal	0568 00-2
Sensors and Switches	
Variable Speed Drive	
Installation	0321 01-2
Removal	0321 01-1
Service Brake	
Control Linkage	
Adjustment	0407 00-1
Installation	0410 00-7
Removal	0410 00-2
Pedal, Upper and Lower	
Installation	0409 00-6
Removal	0409 00-1
■ Service Headlight	
Assembly	0304 00-3
Disassembly	0304 00-2
Inspection	0304 00-1
Installation	0303 00-2
Removal	0303 00-1
Service Upon Receipt	0154 00-1
Shaft, Fuel Control	
Installation	0217 00-4
Removal	0217 00-1
Shelf Assembly	
Alternate Right Side	
Installation	0621 01-3
Removal	0621 01-2
Right Side	
Installation	0621 00-3
Removal	0621 00-1
Shield	
Armor, Commander's Cupola	
Installation	0747 00-3
Removal	0747 00-1
External Handle	
M1064A3 Only	
Inspection-Acceptance and Rejection Criteria	0903 00-3
Installation	0903 00-3
Removal	0903 00-1

INDEX, cont'd

<u>Subject</u>	<u>WP Sequence No.-Page No.</u>
M113A3 and M1059A3	
Installation	0901 00-2
Removal	0901 00-1
M577A3 and M1068A3	
Installation	0902 00-1
Removal	0902 00-1
Ramp Vision Port	
Cleaning	0586 00-2
Installation	0586 00-3
Removal	0586 00-2
Shock Absorber	
Installation	0435 00-4
Mount	
Installation	0436 00-2
Removal	0436 00-1
Pin	
Installation	0437 00-2
Removal	0437 00-1
Removal	0435 00-1
Signal Patch Panel Box A10	
Installation	0816 00-2
Removal	0816 00-1
Sling, Power Plant	
Periodic Check	0673 00-2
Preoperative Check	0673 00-8
Smoke Generator	
Adapter Access Plate and Gasket	
Installation	0766 00-3
Removal	0766 00-1
Adapter Access Plate to Cover Assembly Air Hose	
Installation	0768 00-2
Removal	0768 00-1
Armor	
Installation	0771 00-2
Removal	0771 00-1
Breather Hose Assembly	
Installation	0754 00-3
Removal	0754 00-1
Compressor Reservoir to Access Plate Air Hose	
Installation	0767 00-3
Removal	0767 00-1
Control Panel Assembly	
Installation	0756 00-2
Removal	0756 00-1
Electrical Cable Assembly, Adapter Access Plate to Generator	
Installation	0761 00-3
Removal	0761 00-1

INDEX, cont'd

<u>Subject</u>	<u>WP Sequence No.-Page No.</u>
Fuel Can Lid Assembly	
Installation	0764 00-2
Removal	0764 00-1
Fuel Filter/Water Separator	
Installation	0773 00-3
Removal	0773 00-1
Repair or Replacement	0773 00-2
Fuel Lines and Guards	
Installation	0765 00-4
Removal	0765 00-1
Glow Plug Cable Assembly	
Installation	0772 00-4
Removal	0772 00-2
Installation	0755 00-3
Internal Cable Assembly	
Installation	0760 00-3
Removal	0760 00-1
Power Supply Cable Assembly	
Installation	0757 00-2
Removal	0757 00-1
Removal	0755 00-1
Smoke Grenade Launcher	
Guard, Plate, and Base	
Installation	0455 00-3
Removal	0455 00-1
Wiring Harness	
Inspect and Repair	0366 00-7
Installation	0366 00-8
Removal	0366 00-1
Spall Liner	
Cargo Hatch Cover	
Installation	0509 00-2
Removal	0509 00-1
Forward and Bracket	
Installation	0507 00-3
Removal	0507 00-1
Forward Upper Right and Left Side	
Installation	0508 00-2
Removal	0508 00-1
Left Side	
Installation	0505 00-4
Removal	0505 00-1
On Ramp	
Installation	0512 00-2
Removal	0512 00-1
On Ramp Door	
Installation	0511 00-2
Removal	0511 00-1
Rear Upper Hull	
Installation	0510 00-2
Removal	0510 00-1

INDEX, cont'd

<u>Subject</u>	<u>WP Sequence No.-Page No.</u>
Right Side	
Installation	0504 00-4
Removal	0504 00-1
Spare Battery Bracket, Chemical Alarm	
Installation	0921 00-3
Removal	0921 00-1
Repair or Replacement	0921 00-2
Speedometer	
Cable	
Assembly	0861 00-2
Disassembly	0861 00-1
Inspection	0861 00-1
Cable and Adapter	
Installation	0860 00-4
Removal	0860 00-2
Flexible Cable Core	
Installation	0858 00-5
Removal	0858 00-1
Installation	0859 00-2
Removal	0859 00-1
Spring Tensioner	
Idler Arm	
Installation	0246 00-2
Removal	0246 00-1
Starter	
Installation	0259 00-2
Relay Switch	
Installation	0258 00-5
Removal	0258 00-2
Removal	0259 00-1
Steering Lock	
Schematic	
Cable-Activated Lock	0075 00-1
Solenoid-Activated Lock	0074 00-1
Solenoid, Bracket, Links, and Pins (Solenoid-Activated Lock)	
Adjustment	0428 00-7
Installation	0428 00-5
Removal	0428 00-1
Switch	
Installation	0330 00-3
Removal	0330 00-2
Switch Wiring Harness	
All Except M58	
Inspect and Repair	0367 00-5
Installation	0367 00-6
Removal	0367 00-2

INDEX, cont'd

<u>Subject</u>	<u>WP Sequence No.-Page No.</u>
M58 Only	
Inspect and Repair	0367 01-2
Installation	0367 01-2
Removal	0367 01-1
Steering Support, Brackets, and Shaft	
Installation	0432 00-5
Removal	0432 00-1
Steering Wheel	
Linkage	
Adjustment	0427 00-1
Installation	0430 00-6
Removal	0430 00-1
Steering, Transmission	
Adjustment	0393 00-3
Check Adjustment	0393 00-1
Stencils	
M1059A3	0640 00-1
M1064A3	0641 00-1
M1068A3 Only	0642 00-1
M113A3	0636 00-1
M577A3	0637 00-1
M58	0643 00-1
Stop Switch	
Clean and Inspect	0332 00-1
Installation	0332 00-2
Removal	0332 00-1
Stoplight-Taillight and Guards	
Installation	0298 00-4
Removal	0298 00-1
Storage Box Assembly, Power Supply	
Assembly	0824 00-5
Disassembly	0824 00-3
Installation	0824 00-7
Removal	0824 00-2
Stowage Box	
Grenade	
Installation	0610 00-1
Removal	0610 00-1
Periscope	
Installation	0611 00-2
Removal	0611 00-1

INDEX, cont'd

<u>Subject</u>	<u>WP Sequence No.-Page No.</u>
Stowage Bracket	
AN/VAS-5 Driver's Vision Enhancer	
Installation	0866 03-3
Removal	0866 03-1
Sight Extension Arm	
Installation	0613 00-1
Removal	0613 00-1
W1, W2, and NATO Slave Cables	
Installation	0626 01-2
Removal	0626 01-1
Stowage Frame, Rear External	
Installation	0626 00-2
Removal	0626 00-1
Stowage Rack	
Radio	
Left Bulkhead	
Installation	0577 00-2
Removal	0577 00-1
M1064A3 Only	
Installation	0609 00-1
Removal	0609 00-1
Right Front	
Installation	0579 00-1
Removal	0579 00-1
Strainer	
Front Bilge Pump	
Installation	0632 00-3
Removal	0632 00-1
Rear Bilge Pump	
Installation	0635 00-3
Removal	0635 00-1
Strainer Parts, Filler Cap	
All Except M577A3 and M1068A3	
Installation	0184 00-3
Removal	0184 00-2
M577A3 and M1068A3	
Installation	0185 00-2
Removal	0185 00-1
Straps, Webbing	
Installation	0569 00-1
Removal	0569 00-1
Support Arm, Power Plant Grill	
Installation	0467 00-2
Removal	0467 00-1

INDEX, cont'd

<u>Subject</u>	<u>WP Sequence No.-Page No.</u>
Support, Antenna	
Installation	0602 00-2
Removal	0602 00-2
Switch	
Blower	
Installation	0278 00-3
Removal	0278 00-1
Differential Pressure, Fuel Filter	
Installation	0328 00-5
Removal	0328 00-1
Dome Blackout Light Bypass	
Installation	0317 00-2
Removal	0317 00-1
Dome Light	
Front	
Installation	0314 00-3
Removal	0314 00-1
Rear	
Installation	0315 00-2
Removal	0315 00-1
Engine Start	
Installation	0284 00-2
Removal	0284 00-1
Flame Detector, Coolant Heater	
Adjustment	0727 00-1
Inspection-Acceptance and Rejection Criteria	0734 00-1
Installation	0734 00-2
Removal	0734 00-1
Fuel Selector	
Installation	0277 00-3
Removal	0277 00-1
Generator Field Pressure	
Inspection-Acceptance and Rejection Criteria	0323 00-1
Installation	0323 00-2
Removal	0323 00-1
Headlight, High Beam Selector	
Installation	0333 00-2
Removal	0333 00-1
Horn	
All Except M58	
Installation	0293 00-2
Removal	0293 00-1
M58 Only	
Installation	0293 01-2
Removal	0293 01-1
Main Light	
Installation	0283 00-2
Removal	0283 00-1
NBC Orifice Connector Assembly	
Installation	0916 00-5
Removal	0916 00-1

INDEX, cont'd

<u>Subject</u>	<u>WP Sequence No.-Page No.</u>
Parking Brake	
Clean and Inspect	0331 00-3
Installation	0331 00-3
Removal	0331 00-1
Starter Relay	
Installation	0258 00-5
Removal	0258 00-2
Steering Lock	
Installation	0330 00-3
Removal	0330 00-2
Stop	
Clean and Inspect	0332 00-1
Installation	0332 00-2
Removal	0332 00-1
Transmission Oil High Temperature	
Installation	0322 00-2
Removal	0322 00-1
Transmission Range Controller	
Cleaning	0389 00-1
Installation	0389 00-2
Removal	0389 00-1
Switch and Buzzer, Admittance	
Inspection-Acceptance and Rejection Criteria	0334 00-2
Installation	0334 00-2
Removal	0334 00-1
Switch and Mount, Ramp Door	
Adjustment	0335 00-4
Inspection-Acceptance and Rejection Criteria	0335 00-2
Installation	0335 00-3
Removal	0335 00-1
Switch Assembly, NBC Filter	
Installation	0802 00-3
Removal	0802 00-1
T	
Table	
Left	
Installation	0578 00-3
Removal	0578 00-1
Right Forward	
Installation	0581 00-3
Removal	0581 00-1
Right Rearward	
Installation	0582 00-1
Removal	0582 00-1

INDEX, cont'd

<u>Subject</u>	<u>WP Sequence No.-Page No.</u>
Tachometer	
Cable	
Assembly	0865 00-2
Disassembly	0865 00-1
Inspection	0865 00-1
Installation	0864 00-4
Removal	0864 00-2
Engine Adapter	
Installation	0863 00-3
Removal	0863 00-1
Flexible Cable Core	
Installation	0858 00-5
Removal	0858 00-1
Installation	0862 00-2
MSD/ICE Pulse	
Installation	0867 00-3
Removal	0867 00-1
Removal	0862 00-1
Tank	
Auxiliary	
Installation	0230 00-2
Removal	0230 00-1
Module, Fog Oil	
Installation	0753 00-4
Removal	0753 00-1
Teleposts and Cover	
Installation	0296 00-3
Removal	0296 00-1
Tent	
Frame Mounts	
Installation	0628 00-3
Removal	0628 00-1
Installation	0627 00-2
Interface Panel Box Assembly A5	
Installation	0833 00-3
Removal	0833 00-1
Light Assembly	
Installation	0318 00-3
Removal	0318 00-1
Removal	0627 00-1
Terminal Blocks TB1 and TB2, Inverter Housing A2	
Installation	0830 00-4
Removal	0830 00-1
Terminals and Leads, Battery	
M1064A3 Only (Left Side)	
Cleaning	0343 00-5
Installation	0343 00-5
Removal	0343 00-1

INDEX, cont'd

<u>Subject</u>	<u>WP Sequence No.-Page No.</u>
M1064A3 Only (Right Side)	
Cleaning	0344 00-3
Installation	0344 00-4
Removal	0344 00-1
M113A3 and M1059A3	
Clean and Inspect	0340 00-3
Installation	0340 00-4
Removal	0340 00-1
M577A3 and M1068A3	
Clean and Inspect	0341 00-3
Installation	0341 00-4
Removal	0341 00-1
M58 Only	
Cleaning	0345 00-3
Installation	0345 00-4
Removal	0345 00-1
Theory of Operation	
Auxiliary Automotive System	0003 00-2
Power Plant	0003 00-1
Scope	0003 00-1
Special Equipment	0003 00-3
Winterization Equipment	0003 00-3
Thermostat	
Installation	0237 00-4
Removal	0237 00-1
Tube/Hoses	
Installation	0238 00-2
Removal	0238 00-1
Thermostatic Fan Speed Switch	
Installation	0231 00-3
Removal	0231 00-1
Throttle Valve (TV)	
Modulator	
Adjustment	0213 00-1
Field Operational Test	0213 00-5
Modulator and Lever	
Installation	0218 00-4
Removal	0218 00-1
Tool Box Loops	
Installation	0571 00-2
Removal	0571 00-1
Torsion Bar	
Anchor	
Installation	0414 00-3
Removal	0414 00-1
Installation	0413 00-4
Removal	0413 00-1

INDEX, cont'd

<u>Subject</u>	<u>WP Sequence No.-Page No.</u>
Tow Pintle	
Assembly	0434 00-2
Disassembly	0434 00-1
Extender Assembly	
Adjustment	0811 02-6
Assembly	0811 02-4
Disassembly	0811 02-3
Installation	0811 02-5
Removal	0811 02-1
Stow	0811 02-6
Extender Kit	
Adjustment	0811 01-3
Installation	0811 01-1
Stow	0811 01-3
Installation	0433 00-2
Removal	0433 00-1
Tow Start Control	
Assembly and Bearing	
Installation	0391 00-5
Removal	0391 00-2
Cable Assembly	
Adjustment	0390 00-1
Cover	
Installation	0392 00-2
Removal	0392 00-1
Towing Hook and Eye	
Installation	0443 00-2
Removal	0443 00-1
Track	
Cover	
Installation	0438 00-2
Removal	0438 00-1
T130	
Clean, Inspect, and Repair	0422 00-2
Drive Sprocket Wheel Assembly	
Assembly	0421 00-1
Disassembly	0421 00-1
Installation	0420 00-2
Removal	0420 00-1
Installation	0422 00-3
Removal	0422 00-1
T150	
Drive Sprocket Wheel Assembly	
Installation	0420 01-2
Removal	0420 01-1
Installation	0422 01-2
Removal	0422 01-1
Reverse Drive Sprocket and Track Assemblies	
Installation	0419 01-2
Removal	0419 01-1

INDEX, cont'd

<u>Subject</u>	<u>WP Sequence No.-Page No.</u>
Tension Adjuster and Mount	
Installation	0419 00-2
Removal	0419 00-1
Track Shoe	
Pad	
T130	
Installation	0424 00-2
Removal	0424 00-1
T150	
Installation	0424 01-2
Removal	0424 01-1
Stowage Bracket	
Installation	0575 01-2
Removal	0575 01-1
T130	
Repair or Replacement	0423 00-1
T150	
Installation	0423 01-2
Removal	0423 01-1
Trailer Harness	
Inspection-Acceptance and Rejection Criteria	0375 00-2
Installation	0375 00-3
Removal	0375 00-1
Transducer	
Air Box Pressure	
Installation	0327 00-2
Removal	0327 00-1
Fuel Return Pressure	
Installation	0325 00-2
Removal	0325 00-1
Fuel Supply Pressure	
Installation	0324 00-2
Removal	0324 00-1
Turbo Outlet Pressure	
Installation	0326 00-2
Removal	0326 00-1
Transmission	
Brake	
Adjust Left-Hand Brake	0394 00-1
Adjust Right-Hand Brake	0394 00-5
Check Brake Adjustment	0406 00-1
Controller Wiring Harness	
Inspect and Repair	0361 00-4
Installation	0361 00-5
Removal	0361 00-1

INDEX, cont'd

<u>Subject</u>	<u>WP Sequence No.-Page No.</u>
Mounts	
Installation	0385 00-3
Removal	0385 00-1
Oil and Filter Element	
Installation	0398 00-3
Removal	0398 00-1
Oil Cooler Hoses, Fittings, and Mounting	
Installation	0399 00-8
Removal	0399 00-1
Oil Drain Tubes and Bracket	
Installation	0384 00-2
Removal	0384 00-1
Oil High Temperature Switch	
Installation	0322 00-2
Removal	0322 00-1
Oil Level Dipstick, Filler Tube, and Adapter	
X200-4 Only	
Installation	0395 00-3
Removal	0395 00-1
X200-4A Only	
Installation	0396 00-4
Removal	0396 00-1
Oil Sampling Valve and Pressure Switch	
Installation	0400 00-2
Removal	0400 00-1
Oil Supply and Return Hoses	
Installation	0251 00-5
Removal	0251 00-1
Range Controller Lamp	
Installation	0388 00-2
Removal	0388 00-1
Range Controller Switch	
Cleaning	0389 00-1
Installation	0389 00-2
Removal	0389 00-1
Range Controller/Bracket	
Cable-Activated Steering Lock	
Installation	0387 00-3
Removal	0387 00-1
Solenoid-Activated Steering Lock	
Installation	0386 00-3
Removal	0386 00-1
Schematic	0060 00-1
Steering	
Adjustment	0393 00-3
Check Adjustment	0393 00-1
Wiring Harness	
Inspect and Repair	0360 00-2
Installation	0360 00-2
Removal	0360 00-1

INDEX, cont'd

<u>Subject</u>	<u>WP Sequence No.-Page No.</u>
Transmitter	
Coolant Temperature	
Installation	0321 00-2
Removal	0321 00-1
Fuel Quantity	
All Except M577A3 and M1068A3	
Inspection-Acceptance and Rejection Criteria	0190 00-2
Installation	0190 00-3
Removal	0190 00-1
Repair or Replacement	0190 00-2
M577A3 and M1068A3	
Cleaning	0191 00-1
Installation	0191 00-1
Removal	0191 00-1
Troubleshooting	
Introduction How to Use Troubleshooting	0005 00-1
Malfunction/Symptom Index WP	0006 00-1
Tube	
Cylinder Discharge	
Installation	0899 00-4
Removal	0899 00-2
Fuel Return	
M1064A3 Only	
Installation	0197 00-9
Removal	0197 00-1
M113A3, M1059A3, and M58	
Installation	0195 00-8
Removal	0195 00-2
M577A3 and M1068A3	
Installation	0196 00-4
Removal	0196 00-1
Fuel Vent	
Installation	0198 00-4
Removal	0198 00-1
Personnel Heater	
Installation	0700 00-3
Removal	0700 00-2
Ramp Control Valve to Bulkhead	
Installation	0664 00-3
Removal	0664 00-1
Transmission Oil Drain	
Installation	0384 00-2
Removal	0384 00-1
Turbine Cylinder Discharge	
Installation	0900 00-3
Removal	0900 00-1

INDEX, cont'd

<u>Subject</u>	<u>WP Sequence No.-Page No.</u>
Turbine	
Access Door	
Installation	0485 00-2
Removal	0485 00-2
Access Door Hinges	
Installation	0487 00-3
Removal	0487 00-2
Turbo Outlet Pressure Transducer	
Installation	0326 00-2
Removal	0326 00-1
U	
Universal Joints	
Installation	0405 00-3
Removal	0405 00-1
Utility Outlet	
Lead Assembly	
Inspect and Repair	0377 00-2
Installation	0377 00-2
Removal	0377 00-1
Rear Receptacle	
Inspect and Repair	0378 00-2
Installation	0378 00-2
Removal	0378 00-1
Receptacle	
Inspection-Acceptance and Rejection Criteria	0265 00-2
Installation	0265 00-2
Removal	0265 00-1
V	
Valve	
Front Bilge	
Installation	0633 00-2
Removal	0633 00-1
Fuel Shutoff, Coolant Heater	
Installation	0720 00-3
Removal	0720 00-1
Fuel Shutoff, Personnel Heater	
Installation	0684 00-3
Removal	0684 00-2
Variable Speed Fan Drive	
Adjustment	0249 01-3
Controller	
Installation	0250 01-1
Removal	0250 01-1

INDEX, cont'd

<u>Subject</u>	<u>WP Sequence No.-Page No.</u>
Fan and Generator	
Installation	0249 00-3
Removal	0249 00-2
Installation	0249 01-3
Removal	0249 01-2
Sensors and Switches	
Installation	0321 01-2
Removal	0321 01-1
Valve and Override Switch	
Installation	0231 01-3
Removal	0231 01-2
Ventilating Fan	
Drive Belt	
Adjustment	0242 00-1
Installation	0243 00-2
Removal	0243 00-1
Drive Pulley	
Installation	0244 00-1
Removal	0244 00-1
Installation	0383 00-3
Removal	0383 00-1
Ventilating Fan Assembly	
Installation	0247 00-3
Removal	0247 00-2
Vertical Ammunition Rack	
Installation	0608 00-3
Removal	0608 00-1
Vision Block Locks and Seals	
Commander's Cupola	
M1064A3 Only	
Installation	0491 00-3
Removal	0491 00-1
M113A3, M1059A3, and M58	
Installation	0490 00-3
Removal	0490 00-1
Driver's Hatch	
Clean, Inspect, and Repair	0535 00-3
Installation	0535 00-3
Removal	0535 00-1
Voltage Regulator	
Adjustment	0256 00-1

INDEX, cont'd

<u>Subject</u>	<u>WP Sequence No.-Page No.</u>
W	
Warning Light Panel	
Instrument	
All Except M58	
Installation	0292 00-2
Removal	0292 00-1
M58 Only	
Installation	0288 00-2
Removal	0288 00-1
Warning Light Panel Assembly	
Installation	0291 00-2
Removal	0291 00-1
Warning Panel Lights	
All Except M58	
Installation	0294 00-3
Removal	0294 00-1
M58 Only	
Inspection-Acceptance and Rejection Criteria	0294 01-2
Installation	0294 01-3
Removal	0294 01-2
Water/Ration Heater	
Mount Bracket	
Installation	0811 00-2
Removal	0811 00-1
Power Cable	
Installation	0810 00-3
Removal	0810 00-1
Webbing Straps	
Installation	0569 00-1
Removal	0569 00-1
Welding, Hull Repair	
Aluminum Castings	0529 00-1
Fuel Tanks	0529 00-3
General Welding Instructions	0529 00-4
Magnesium Castings	0529 00-2
MIG Welding Method	0529 00-5
Plastic Molding Material	0529 00-3
Safety Precautions	0529 00-1
Welding Near Mortar Ring (M1064A3 Only)	0529 00-4
Windshield	
Driver's	
Installation	0739 00-2
Removal	0739 00-1
Stowage Bag, Straps, and Decal	
Installation	0740 00-2
Removal	0740 00-1
Repair or Replacement	0740 00-2

INDEX, cont'd


<u>Subject</u>	<u>WP Sequence No.-Page No.</u>
Stowage Bracket	
Installation	0614 00-2
Removal	0614 00-1
Wire Rope and Pulleys	
All Except M1064A3	
Installation	0657 00-2
Removal	0657 00-1
M1064A3 Only	
Installation	0658 00-2
Removal	0658 00-1
Wiring Harness	
3W1, Variable Speed Drive	
Installation	0359 01-3
Removal	0359 01-1
Assembly	0382 00-4
Battery-to-Radio (Left Side)	
Inspect and Repair	0369 00-4
Installation	0369 00-5
Removal	0369 00-2
Battery-to-Radio (Right Side)	
Inspect and Repair	0370 00-5
Installation	0370 00-6
Removal	0370 00-2
Chemical Alarm M43 Unit Interface	
Inspection-Acceptance and Rejection Criteria	0923 00-4
Installation	0923 00-4
Removal	0923 00-1
Repair or Replacement	0923 00-4
Coolant Heater	
Installation	0735 00-6
Removal	0735 00-2
Coolant Pump to Heater	
Inspection-Acceptance and Rejection Criteria	0733 00-3
Installation	0733 00-4
Removal	0733 00-2
Disassembly	0382 00-1
Engine	
Clean, Inspect, and Repair	0359 00-8
Installation	0359 00-8
Removal	0359 00-2
Guide, Personnel Heater	
Installation	0707 01-3
Removal	0707 01-1
Instrument Panel Battery-Generator Gauge	
Installation	0289 00-4
Removal	0289 00-2
M13 NBC Heater	
M1068A3 Only	
Installation	0809 00-6
Removal	0809 00-2

INDEX, cont'd

<u>Subject</u>	<u>WP Sequence No.-Page No.</u>
M577A3 Only	
Installation	0808 00-4
Removal	0808 00-2
M14 NBC Heater	
Installation	0807 00-4
Removal	0807 00-1
M3 NBC Heater	
Installation	0806 00-3
Removal	0806 00-1
MSD/ICE Crew	
M1064A3 Only	
Inspection-Acceptance and Rejection Criteria	0881 00-4
Installation	0881 00-4
Removal	0881 00-1
Repair or Replacement	0881 00-4
M113A3 and M1059A3	
Inspection-Acceptance and Rejection Criteria	0878 00-4
Installation	0878 00-4
Removal	0878 00-1
Repair or Replacement	0878 00-4
M577A3 and M1068A3	
Inspection-Acceptance and Rejection Criteria	0879 00-4
Installation	0879 00-5
Removal	0879 00-1
Repair or Replacement	0879 00-5
MSD/ICE Engine	
Inspection-Acceptance and Rejection Criteria	0882 00-4
Installation	0882 00-5
Removal	0882 00-1
Repair or Replacement	0882 00-5
Radiac	
Installation	0376 00-2
Removal	0376 00-1
Rear Main	
M1064A3 Only	
Inspect and Repair	0364 00-13
Installation	0364 00-13
Removal	0364 00-1
M1068A3 Only	
Inspect and Repair	0365 00-14
Installation	0365 00-15
Removal	0365 00-2
M113A3, M1059A3, and M58	
Inspect and Repair	0362 00-21
Installation	0362 00-21
Removal	0362 00-2
M577A3 Only	
Inspect and Repair	0363 00-15
Installation	0363 00-15
Removal	0363 00-2

INDEX, cont'd

<u>Subject</u>	<u>WP Sequence No.-Page No.</u>
Right Headlight	
Inspect and Repair	0373 00-3
Installation	0373 00-3
Removal	0373 00-1
Smoke Grenade Launcher	
Inspect and Repair	0366 00-7
Installation	0366 00-8
Removal	0366 00-1
Steering Lock Switch	
All Except M58	
Inspect and Repair	0367 00-5
Installation	0367 00-6
Removal	0367 00-2
M58 Only	
Inspect and Repair	0367 01-2
Installation	0367 01-2
Removal	0367 01-1
Trailer	
Inspection-Acceptance and Rejection Criteria	0375 00-2
Installation	0375 00-3
Removal	0375 00-1
Transmission	
Inspect and Repair	0360 00-2
Installation	0360 00-2
Removal	0360 00-1
Transmission Controller	
Inspect and Repair	0361 00-4
Installation	0361 00-5
Removal	0361 00-1
Warning Panel	
Inspect and Repair	0374 00-3
Installation	0374 00-4
Removal	0374 00-1

RECOMMENDED CHANGES TO PUBLICATIONS AND BLANK FORMS For use of this form, see AR 25-30; the proponent agency is ODISC4.						Use Part II (reverse) for Repair Parts and Special Tool Lists (RPSTL) and Supply Catalogs/Supply Manuals (SC/SM).	DATE Date you filled out this form.
TO: <i>(Forward to proponent of publication or form) (Include ZIP Code)</i> U.S. Army TACOM Life Cycle Management Command ATTN: AMSTA-LC-LMP/TECH PUBS 1 Rock Island Arsenal, Rock Island, IL 61299-7630						FROM: <i>(Activity and location) (Include ZIP Code)</i> Your mailing address	
PART I – ALL PUBLICATIONS (EXCEPT RPSTL AND SC/SM) AND BLANK FORMS							
PUBLICATION/FORM NUMBER TM 9-2350-277-20-3						DATE 02 Jan 01	Title Unit Maintenance Manual for M113 A3 FOV
ITEM NO.	PAGE NO.	PARA-GRAPH	LINE NO. *	FIGURE NO.	TABLE NO.	RECOMMENDED CHANGES AND REASON (Provide exact wording of recommended changes, if possible).	
	0014 00-2					STEP b. The screws (4) on Bracket (2) must be torqued. Please add Torque information.	
	0023 00-34			5 (SH15)		There are four clamps (144) on Wiring Harness (217). Not three as shown. Please correct.	
							
<i>*Reference to line numbers within the paragraph or subparagraph.</i>							
TYPED NAME, GRADE OR TITLE Your Name				TELEPHONE EXCHANGE/AUTOVON, PLUS EXTENSION		Signature Your Signature	

TO: (Forward direct to addressee listed in publication) U. S. Army TACOM Life Cycle Management Command ATTN: AMSTA-LC-LMPP/TECH PUBS 1 Rock Island Arsenal, Rock Island, IL 61299-7630	FROM: (Activity and location) (Include ZIP Code) Your address	DATE Date you filled out this form
--	---	--

PART II – REPAIR PARTS AND SPECIAL TOOL LISTS AND SUPPLY CATALOGS/SUPPLY MANUALS

PUBLICATION NUMBER TM 9-2350-277-20-3			DATE 02 Jan 01			TITLE Unit Maintenance Manual for M113A3 FOV		
PAGE NO.	COLM NO.	LINE NO.	NATIONAL STOCK NUMBER	REFERENCE NO.	FIGURE NO.	ITEM NO.	TOTAL NO. OF MAJOR ITEMS SUPPORTED	RECOMMENDED ACTION
SAMPLE								

PART III – REMARKS (Any general remarks or recommendations, or suggestions for improvement of publications and blank forms. Additional blank sheets may be used if more space is needed.)

TYPED NAME, GRADE OR TITLE Your Name	TELEPHONE EXCHANGE/AUTOVON, PLUS EXTENSION	SIGNATURE Your Signature
---	--	-----------------------------

RECOMMENDED CHANGES TO PUBLICATIONS AND BLANK FORMS						Use Part II (reverse) for Repair Parts and Special Tool Lists (RPSTL) and Supply Catalogs/Supply Manuals (SC/SM).	DATE
For use of this form, see AR 25-30; the proponent agency is ODISC4.							
TO: (Forward to proponent of publication or form)(Include ZIP Code)						FROM: (Activity and location) (Include ZIP Code)	
U.S. Army TACOM Life Cycle Management Command ATTN: AMSTA-LC-LMPP/TECH PUBS 1 Rock Island Arsenal, Rock Island, IL 61299-7630							
PART I – ALL PUBLICATIONS (EXCEPT RPSTL AND SC/SM) AND BLANK FORMS							
PUBLICATION/FORM NUMBER					DATE	TITLE	
TM 9-2350-277-20-3					05 Mar 03	Unit Maintenance Manual for M113A3 FOV	
ITEM NO.	PAGE NO.	PARA-GRAPH	LINE NO. *	FIGURE NO.	TABLE NO.	RECOMMENDED CHANGES AND REASON (Provide exact wording of recommended changes, if possible).	
TYPED NAME, GRADE OR TITLE				*Reference to line numbers within the paragraph or subparagraph. TELEPHONE EXCHANGE/AUTOVON, PLUS EXTENSION		SIGNATURE	

TO: (Forward direct to addressee listed in publication) U. S. Army TACOM Life Cycle Management Command ATTN: AMSTA-LC-LMPP/TECH PUBS 1 Rock Island Arsenal, Rock Island, IL 61299-7630	FROM: (Activity and location) (Include ZIP Code)	DATE
--	---	-------------

PART II – REPAIR PARTS AND SPECIAL TOOL LISTS AND SUPPLY CATALOGS/SUPPLY MANUALS

PUBLICATION NUMBER TM 9-2350-277-20-3				DATE 01 Jan 01			TITLE Unit Maintenance Manual for M113A3 FOV	
PAGE NO.	COLM NO.	LINE NO.	NATIONAL STOCK NUMBER	REFERENCE NO.	FIGURE NO.	ITEM NO.	TOTAL NO. OF MAJOR ITEMS SUPPORTED	RECOMMENDED ACTION

PART III – REMARKS (Any general remarks or recommendations, or suggestions for improvement of publications and blank forms. Additional blank sheets may be used if more space is needed.)

TYPED NAME, GRADE OR TITLE	TELEPHONE EXCHANGE/AUTOVON, PLUS EXTENSION	SIGNATURE
----------------------------	--	-----------

RECOMMENDED CHANGES TO PUBLICATIONS AND BLANK FORMS						Use Part II (reverse) for Repair Parts and Special Tool Lists (RPSTL) and Supply Catalogs/Supply Manuals (SC/SM).	DATE
For use of this form, see AR 25-30; the proponent agency is ODISC4.							
TO: (Forward to proponent of publication or form) (Include ZIP Code) U. S. Army TACOM Life Cycle Management Command ATTN: AMSTA-LC-LMPP/TECH PUBS 1 Rock Island Arsenal, Rock Island, IL 61299-7630						FROM: (Activity and location) (Include ZIP Code)	
PUBLICATION/FORM NUMBER TM 9-2350-277-20-3						DATE 01 Jan 01	TITLE Unit Maintenance Manual for M113A3 FOV
ITEM NO.	PAGE NO.	PARA-GRAPH	LINE NO. *	FIGURE NO.	TABLE NO.	RECOMMENDED CHANGES AND REASON (Provide exact wording of recommended changes, if possible).	
<i>*Reference to line numbers within the paragraph or subparagraph.</i>							
TYPED NAME, GRADE OR TITLE				TELEPHONE EXCHANGE/AUTOVON, PLUS EXTENSION		SIGNATURE	

TO: (Forward direct to addressee listed in publication) U. S. Army TACOM Life Cycle Management Command ATTN: AMSTA-LC-LMPP/TECH PUBS 1 Rock Island Arsenal, Rock Island, IL 61299-7630	FROM: (Activity and location) (Include ZIP Code)	DATE
--	---	-------------

PART II – REPAIR PARTS AND SPECIAL TOOL LISTS AND SUPPLY CATALOGS/SUPPLY MANUALS

PUBLICATION NUMBER TM 9-2350-277-20-3				DATE 01 Jan 01			TITLE Unit Maintenance Manual for M113A3 FOV	
PAGE NO.	COLM NO.	LINE NO.	NATIONAL STOCK NUMBER	REFERENCE NO.	FIGURE NO.	ITEM NO.	TOTAL NO. OF MAJOR ITEMS SUPPORTED	RECOMMENDED ACTION

PART III – REMARKS *(Any general remarks or recommendations, or suggestions for improvement of publications and blank forms. Additional blank sheets may be used if more space is needed.)*

--

TYPED NAME, GRADE OR TITLE	TELEPHONE EXCHANGE/AUTOVON, PLUS EXTENSION	SIGNATURE
----------------------------	--	-----------

By Order of the Secretary of the Army:

Official:



JOEL B. HUDSON

*Administrative Assistant to the
Secretary of the Army*

9913209

ERIC K. SHINSEKI
*General, United States Army
Chief of Staff*

DISTRIBUTION: To be distributed in accordance with the initial distribution requirements for IDN: 371205, requirements for TM 9-2350-277-20-3.

THE METRIC SYSTEM AND EQUIVALENTS

LINEAR MEASURE

1 Centimeter = 10 Millimeters = 0.01 Meters = 0.3937 Inches
 1 Meter = 100 Centimeters = 1000 Millimeters = 39.37 Inches
 1 Kilometer = 1000 Meters = 0.621 Miles

WEIGHTS

1 Gram = 0.001 Kilograms = 1000 Milligrams = 0.035 Ounces
 1 Kilogram = 1000 Grams = 2.2 Lb.
 1 Metric Ton = 1000 Kilograms = 1 Megagram = 1.1 Short Tons

LIQUID MEASURE

1 Milliliter = 0.001 Liters = 0.0338 Fluid Ounces
 1 Liter = 1000 Milliliters = 33.82 Fluid Ounces

SQUARE MEASURE

1 Sq. Centimeter = 100 Sq. Millimeters = 0.155 Sq. Inches
 1 Sq. Meter = 10,000 Sq. Centimeters = 10.76 Sq. Feet
 1 Sq. Kilometer = 1,000 Sq. Meters = 0.386 Sq. Miles

CUBIC MEASURE

1 Cu. Centimeter = 1000 Cu. Millimeters = 0.06 Cu. Inches
 1 Cu. Meter = 1,000,000 Cu. Centimeters = 35.31 Cu. Feet

TEMPERATURE

$5/9 (^{\circ}\text{F} - 32) = ^{\circ}\text{C}$
 212° Fahrenheit is equivalent to 100° Celsius
 90° Fahrenheit is equivalent to 32.2° Celsius
 32° Fahrenheit is equivalent to 0° Celsius
 $(9/5 \times ^{\circ}\text{C}) + 32 = ^{\circ}\text{F}$

TO CHANGE	TO	MULTIPLY BY
Inches	Centimeters	2.540
Feet	Meters	0.305
Yards	Meters	0.914
Miles	Kilometers	1.609
Square Inches	Square Centimeters	6.451
Square Feet	Square Meters	0.093
Square Yards	Square Meters	0.836
Square Miles	Square Kilometers	2.590
Acres	Square Hectometers	0.405
Cubic Feet	Cubic Meters	0.028
Cubic Yards	Cubic Meters	0.765
Fluid Ounces	Milliliters	29.573
Pints	Liters	0.473
Quarts	Liters	0.946
Gallons	Liters	3.785
Ounces	Grams	28.349
Pounds	Kilograms	0.454
Short Tons	Metric Tons	0.907
Pound-Feet	Newton-Meters	1.356
Pounds per Square Inch	Kilopascals	6.895
Miles per Gallon	Kilometers per Liter	0.425
Miles per Hour	Kilometers per Hour	1.609

TO CHANGE	TO	MULTIPLY BY
Centimeters	Inches	0.394
Meters	Feet	3.280
Meters	Yards	1.094
Kilometers	Miles	0.621
Square Centimeters	Square Inches	0.155
Square Meters	Square Feet	10.764
Square Meters	Square Yards	1.196
Square Kilometers	Square Miles	0.386
Square Hectometers	Acres	2.471
Cubic Meters	Cubic Feet	35.315
Cubic Meters	Cubic Yards	1.308
Milliliters	Fluid Ounces	0.034
Liters	Pints	2.113
Liters	Quarts	1.057
Liters	Gallons	0.264
Grams	Ounces	0.035
Kilograms	Pounds	2.205
Metric Tons	Short Tons	1.102
Newton-Meters	Pound-Feet	0.738
Kilopascals	Pounds per Square Inch	0.145
Kilometers per Liter	Miles per Gallon	2.354
Kilometers per Hour	Miles per Hour	0.621

